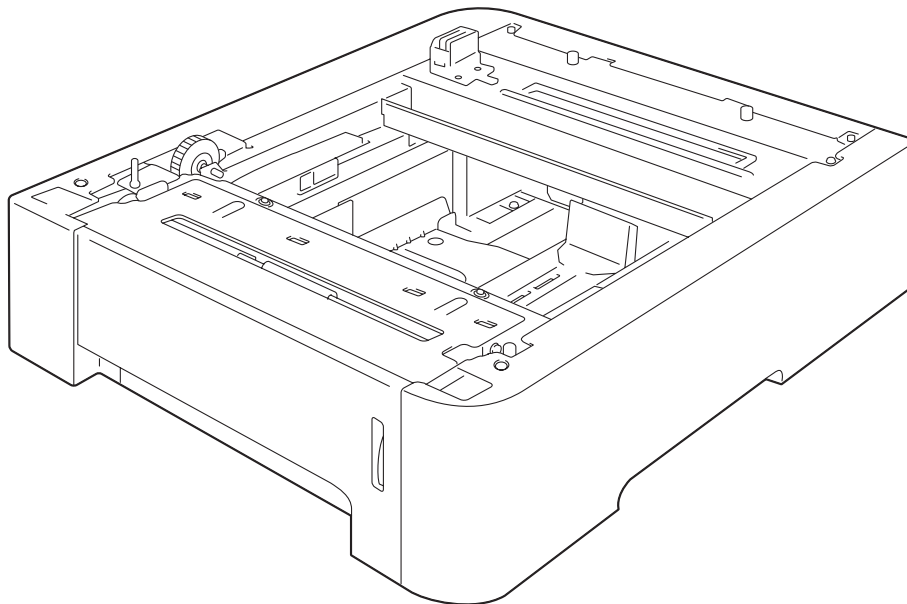




Lower Tray Unit PARTS REFERENCE LIST

MODEL: LT-100CL



NOTE FOR USING THIS PARTS REFERENCE LIST

1. In the case of ordering parts, it is necessary to mention the following items;

- (1) Code
- (2) Q'ty
- (3) Description
- (4) Symbol (PCB No., Revision , and Parts location mounted on the PCB.)

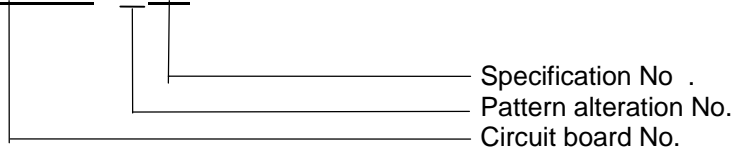
Note : No orders without Parts Code or Tool No. can be accepted.

< Example >

REF.NO.	CODE	Q'TY	DESCRIPTION	SYMBOL	REMARK

Revision No.: marked on the **main printed circuit board (Main PCB)**.

B48K056 - 201



2. Design-changed parts :

If any of the parts is changed, one of the following symbols is indicated in the REMARK column.

CHG(chg) : The parts is changed to a new parts.

ADD(add) : The parts is newly added.

DEL(del) : The parts is deleted.

Symbol in capital letters indicates the latest parts change information in the page.

3. The original parts reference list is based on the information available in January 2007.

4. Parts are subject to change in design without prior notice.

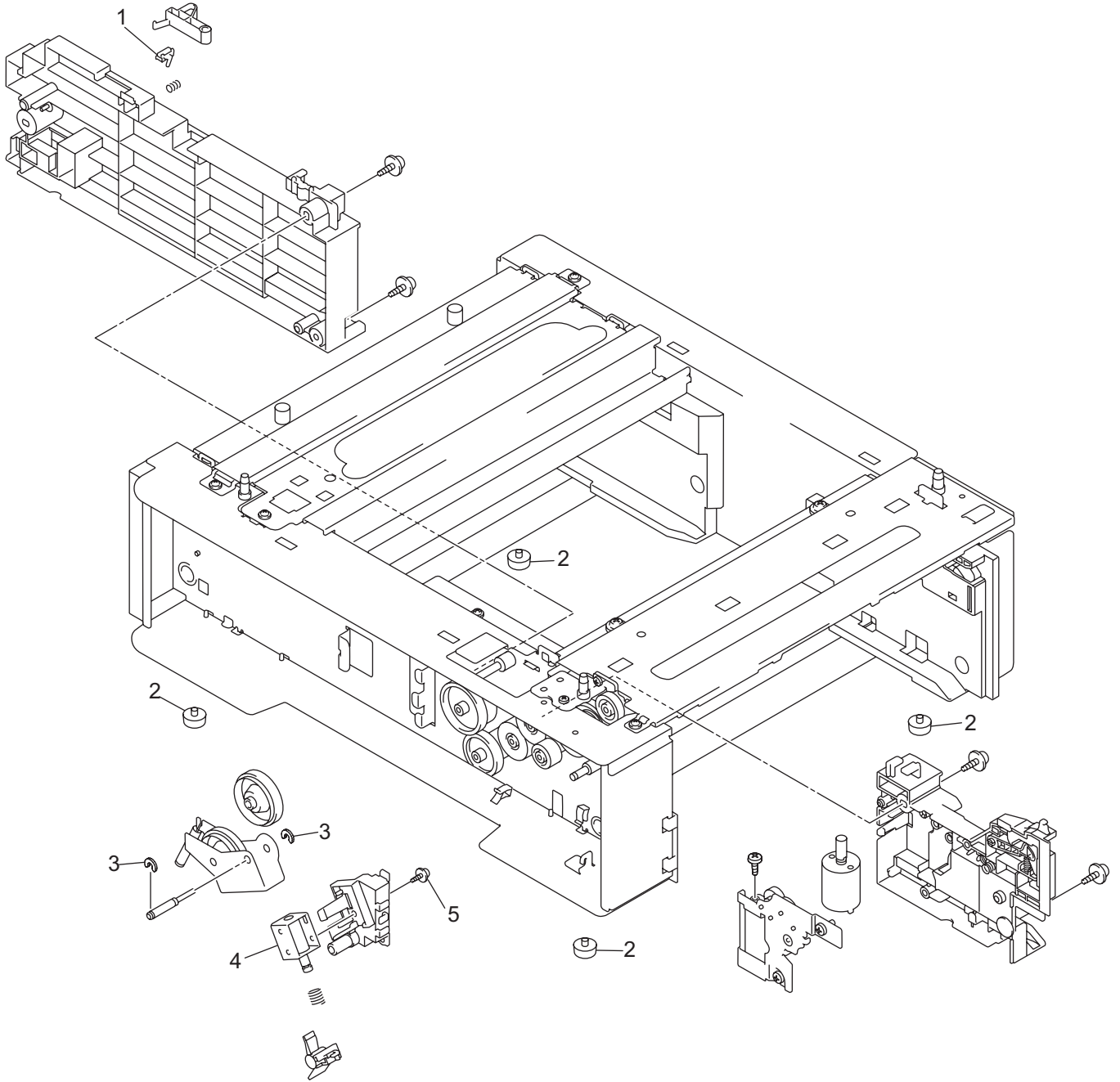
CONTENTS

1.	<u>FRAME UNIT&DRIVE UNIT</u>	1
2.	<u>PAPER FEEDER</u>	3
3.	<u>PAPER TRAY</u>	5
4.	<u>COVERS</u>	7
5.	<u>PCB</u>	9
6.	<u>PACKING MATERIALS</u>	11

1. FRAME UNIT&DRIVE UNIT

REF No.	CODE	Q'TY	DESCRIPTION	REMARKS
1	LM9264001	1	LT PAPER TRAY SWICH ASSY	
2	UH2208001	4	RUBBER FOOT	
3	LJ1175001	2	COLLAR6	
4	LJ9503001	1	LT SOLENOID ASSY	
5	U11776001	1	SCREW FLANGED M3X3.5	

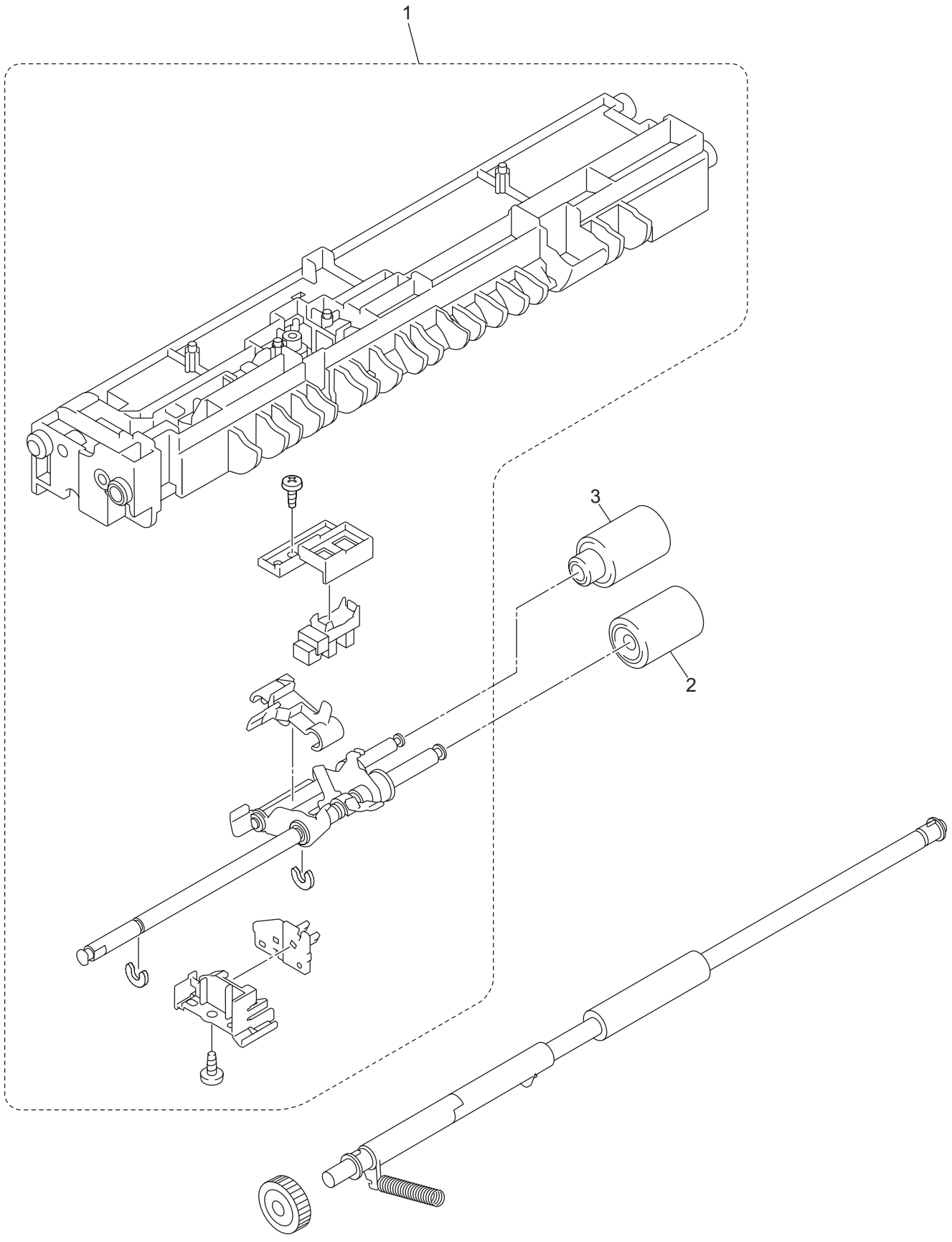
1. FRAME UNIT&DRIVE UNIT



2. PAPER FEEDER

REF No.	CODE	Q'TY	DESCRIPTION	REMARKS
1	LR0683001	1	LT PAPER FEED FRAME UNIT	
2	LM3454002	1	LT SEPARATION ROLLER ASSY	
3	LM3458002	1	LT PAPER FEED ROLLER ASSY	

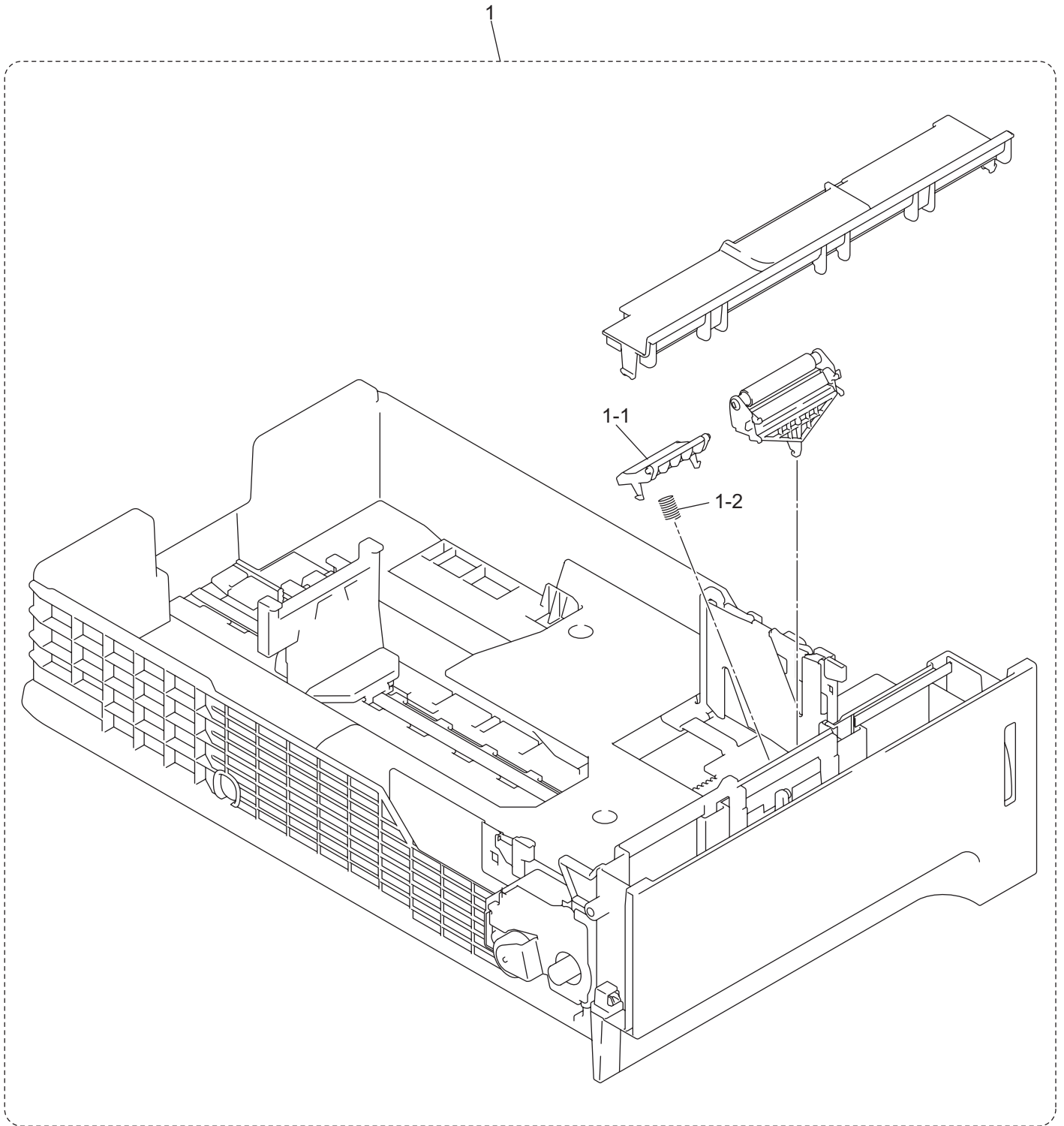
2. PAPER FEEDER



3. PAPER TRAY

REF No.	CODE	Q'TY	DESCRIPTION	REMARKS
1	LR1775001	1	LT PAPER TRAY UNIT (SP)	
1-1	LM3543001	1	LT SEPARATION PAD ASSY	
1-2	LR1440001	1	LT SEPARATION PAD SPRING	

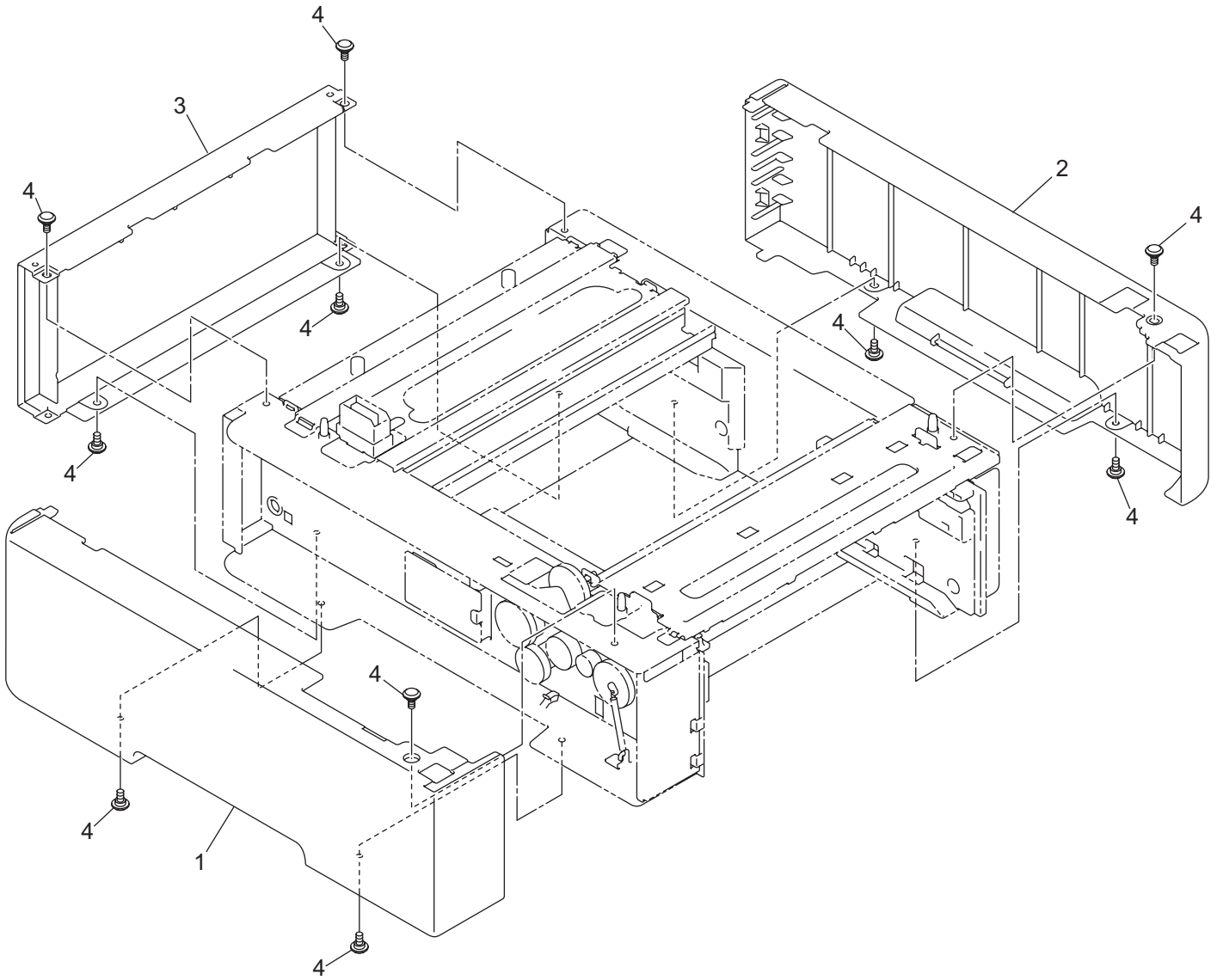
3. PAPER TRAY



4. COVERS

REF No.	CODE	Q'TY	DESCRIPTION	REMARKS
1	LR0676001	1	LT COVER LEFT	
2	LR0677001	1	LT COVER RIGHT	
3	LR0678001	1	LT COVER REAR	
4	LM3856001	10	SHOULDER SCREW	

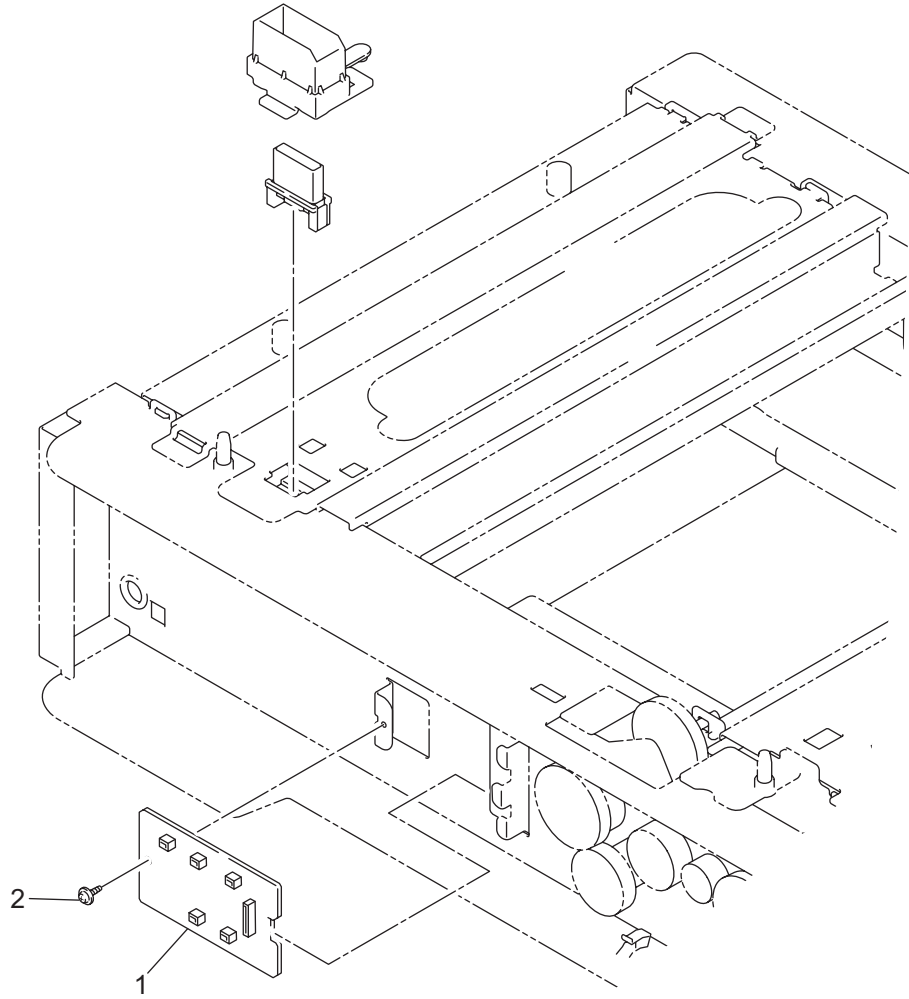
4. COVERS



5. PCB

REF No.	CODE	Q'TY	DESCRIPTION	SYMBOL	REMARKS
1	LM9024001	1	LT RELAY PCB ASSY		
2	087320616	1	TAPTITE CUP S M3X6		

5. PCB



6. PACKING MATERIALS

REF No.	CODE	Q'TY	DESCRIPTION	REMARKS
1	LR1640001	1	LT CARTON	
2	LR1726001	1	LT STYROFOAM PAD ASSY	
3	LR1727001	1	STYROFOAM TRAY COVER PAD ASSY (EU)	
4	LM3738001	1	PAPER TRAY HOLD PAD D	
5	LJ5584001	1	BAG 700X800H	
6	LR1450001	1	SET GUIDE LT-100CL (US/CHN)	
7	LR1451001	1	SET GUIDE LT-100CL (EU)	
8	LR0256001	1	TRAY COVER ASSY (EU)	
9	LR1240001	1	PLUS SCREW DRIVER NO.2 (EU)	

6. PACKING MATERIALS

