

## Projects > Wedding Day Scrapbook and Photo Album

Bring joy and good wishes to a new Bride and Groom with this custom-made wedding album cover! Personalize the cover by adding their names to this elegant floral heart frame design. Use rectangular built in Frame Patterns from your Brother machine to accent the cover with "heartfelt" sentiments. It is all possible with the *easy to use* EDIT mode on your Brother machine.

### Materials and Supplies

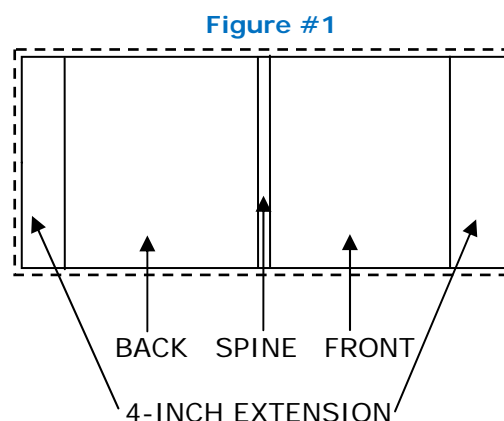
- [Brother Sewing/Embroidery Machine](#) with EDIT mode capability
- [Brother Embroidery Hoop](#): 6" x 10" OR 8" x 8"
- [Brother Polyester Embroidery Thread](#)
- [Brother Bobbin Thread](#)
- [Brother Adjustable Zipper and Piping Foot](#)
- [April 2011 Free Design of the Month](#)
- Pattern paper
- Purchased Blank Scrapbook, measuring 12" x 12"
- White fabric for Scrapbook cover, two pieces to equal size of book cover pattern
- White fabric for embroidered frames:
  - cut four pieces to fit selected hoop size
  - cut four equal size pieces of thin fusible batting and adhere to wrong side of each piece
- Approximately 2 yards of piping (for trim)
- One spool of 3/8" wide satin ribbon for accenting heart frames
- Basic sewing notions and sewing threads to match fabric and ribbon
- Fabric Seam Sealant to treat raw edges



**Note:** The following instructions feature the [Quattro® 6000D](#). Consult your manual for similar EMBROIDERY EDIT functions used to create the embroidery designs.

### Instructions for Creating Book Cover

1. Make a paper pattern for the book cover as follows:
2. Begin by opening the book, laying it flat on a piece of pattern paper. Carefully draw all around the book, drawing approximately 1/4" from the outside edge. Remove the book from the paper.
3. To finish the pattern, add a 4" extension along each short edge. Straighten out the lines you have drawn using a long ruler. Add 1" all around the outer edges. For future reference, label the pattern indicating the back, spine, and front area. [See Figure #1.](#)



## Projects > Wedding Day Scrapbook and Photo Album

- Using the paper pattern, cut two pieces from the white fabric, cutting one piece for the outside cover and one for the lining. Set aside for later use.

### Instructions for Creating Embroidered Frames

- Set up machine for embroidery using EDIT mode. Hoop a piece of white cotton fabric, having fusible fleece secured to the wrong side.
- Create the "Two Hearts" frame as follows:
  - Select a rectangular frame using the rope style pattern from the built in Frame Patterns. Change the size to equal 2.00" High by 5.03" Wide. Change the color as desired. **See Figure #2a and 2b.**
  - Touch ADD. Select the featured Alphabet font, size M. Program the words Two Hearts. Adjust the spacing, expanding the words to fill the length of the frame. Use the arrow keys to move the group of letters, centering them within the frame. **See Figure 3a and 3b.**
  - Proceed to the SEWING screen.
  - Embroider the design.
  - Repeat the process to create "One Love".
  - Trim each frame close to the finished stitching. Treat with seam sealant and let dry. **See Figure #4.**

- Hoop a piece of white cotton fabric, having fusible fleece secured to the wrong side. Transfer the [April 2011 Free Design of the Month](#) to the machine.

- Using the same font as above, add the bride's name to the center of the heart, resizing and adjusting spacing as necessary to fit within the heart.

- Embroider the design.

- Remove from the hoop and trim away excess fabric, leaving a 1/4" seam allowance. Repeat the process to create a frame with the groom's name. **See Figure #5.**

- Set aside for later use.

Figure #2a

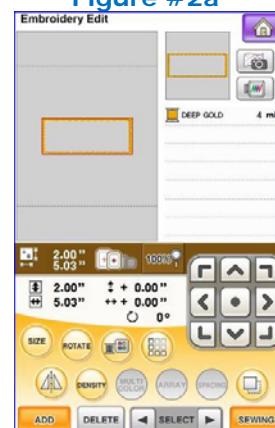


Figure #2b



Figure #3a



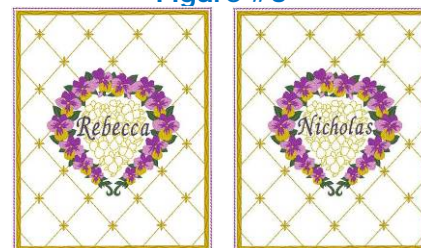
Figure #3b



Figure #4



Figure #5



## Projects > Wedding Day Scrapbook and Photo Album

### Instructions for Creating & Finishing Book Cover

1. Set up the machine for a straight stitch set at basting length. Place the adjustable zipper/piping foot on the machine. Baste a length of piping along each long edge, beginning and ending  $\frac{1}{2}$ " from short sides, folding the ends of piping at a 45-degree angle at each end.

**Note:** *Baste a slight distance away from the piping cord.*

2. Select the lining piece. Place it on top of the cover piece, having right sides together. Using a standard straight stitch, sew all around, stitching *close* to the piping cord and leaving a 6-inch opening for turning along one short side. Turn right side out and press. Close the opening using hand or machine stitches.
3. Wrap the book cover around the scrapbook, folding the flaps to the inside.

**Note:** *Do not wrap too tightly. Scrapbooks are designed to expand slightly when filled.*

4. Pin the flaps in place. Place the embroidered pieces on the front of the cover, arranging them as seen on the finished item. Secure pieces with pins or temporary fabric adhesive spray.
5. Mark the position of the fold line for the flaps, unpin, and remove the cover.
6. Permanently stitch the embroidered pieces in place, adding ribbon trim around the heart frames.
7. Re-fold the flaps and edge stitch in place, stitching close to the piping.
8. You are finished! Wrap it up and present it to the Bride and Groom!

#### **Options:**

- Use ribbon that color coordinates with the bridal party. Create covered piping to match.
- Purchase additional scrapbooks of the same size. Use the pattern you created to make scrapbooks for future special occasions. Embellish the front area of the cover to fit the theme of your special occasion.