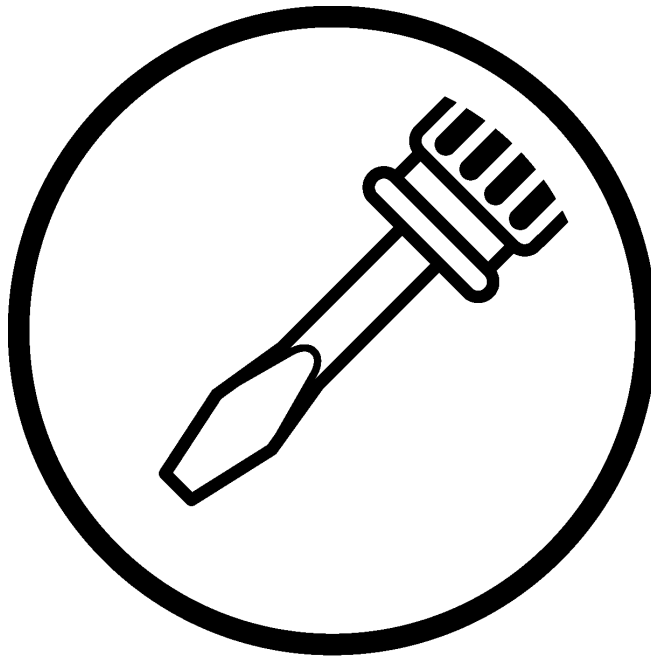


S-7200A

SERVICE MANUAL

Please read this manual before making any adjustments.

SINGLE NEEDLE DIRECT DRIVE STRAIGHT LOCK STITCHER
WITH THREAD TRIMMER



brother[®]

This service manual is intended for S-7200A; be sure to read the S-7200A instruction manual before this manual.

Carefully read the "SAFETY INSTRUCTIONS" below and the whole of this manual to understand this product before you start maintenance.

As a result of research and improvements regarding this product, some details of this manual may not be the same as those for the product you purchased.



If you have any questions regarding this product, please contact a Brother dealer.

SAFETY INSTRUCTIONS

1. Safety indications and their meanings

This service manual and the indications and symbols that are used on the machine itself are provided in order to ensure safe operation of this machine and to prevent accidents and injury to yourself or other people.


Indications

 DANGER	The instructions which follow this term indicate situations where failure to follow the instructions will almost certainly result in death or severe injury.
 CAUTION	The instructions which follow this term indicate situations where failure to follow the instructions could cause injury when using the machine or physical damage to equipment and surroundings.

Symbols




.....

This symbol () indicates something that you should be careful of. The picture inside the triangle indicates the nature of the caution that must be taken.
(For example, the symbol at left means "beware of injury".)




.....

This symbol () indicates something that you must not do.



.....

This symbol () indicates something that you must do. The picture inside the circle indicates the nature of the thing that must be done.
(For example, the symbol at left means "you must make the ground connection".)

2. Notes on safety

DANGER



Wait at least 5 minutes after turning off the power switch and disconnecting the power cord from the wall outlet before opening the face plate of the control box. Touching areas where high voltages are present can result in severe injury.

CAUTION

Environmental requirements



Use the sewing machine in an area which is free from sources of strong electrical noise such as high-frequency welders. Sources of strong electrical noise may cause problems with correct operation.



Any fluctuations in the power supply voltage should be within $\pm 10\%$ of the rated voltage for the machine. Voltage fluctuations which are greater than this may cause problems with correct operation.



The power supply capacity should be greater than the requirements for the sewing machine's electrical consumption. Insufficient power supply capacity may cause problems with correct operation.



The ambient temperature should be within the range of 5°C to 35°C during use. Temperatures which are lower or higher than this may cause problems with correct operation.



The relative humidity should be within the range of 45% to 85% during use, and no dew formation should occur in any devices. Excessively dry or humid environments and dew formation may cause problems with correct operation.



Avoid exposure to direct sunlight during use. Exposure to direct sunlight may cause problems with correct operation.



In the event of an electrical storm, turn off the power and disconnect the power cord from the wall outlet. Lightning may cause problems with correct operation.

Installation



Machine installation should only be carried out by a qualified technician.



Contact your Brother dealer or a qualified electrician for any electrical work that may need to be done.



The sewing machine weighs more than 48 kg. The installation should be carried out by two or more people.



Do not connect the power cord until installation is complete. The machine may operate if the treadle is depressed by mistake, which could result in injury.



Turn off the power switch before inserting or removing the plug, otherwise damage to the control box could result.



Be sure to connect the ground. If the ground connection is not secure, you run a high risk of receiving a serious electric shock, and problems with correct operation may also occur.



When securing the cords, do not bend the cords excessively or fasten them too hard with staples, otherwise there is the danger that fire or electric shocks could occur.



If using a work table which has casters, the casters should be secured in such a way so that they cannot move.













Use both hands to hold the machine head when tilting it back or returning it to its original position. If only one hand is used, the weight of the machine head may cause your hand to slip, and your hand may get caught.







Be sure to wear protective goggles and gloves when handling the lubricating oil and grease, so that they do not get into your eyes or onto your skin, otherwise inflammation can result. Furthermore, do not drink the oil or eat the grease under any circumstances, as they can cause vomiting and diarrhea. Keep the oil out of the reach of children.

CAUTION











Sewing

- | | |
|---|--|
|  This sewing machine should only be used by operators who have received the necessary training in safe use beforehand. |  Attach all safety devices before using the sewing machine. If the machine is used without these devices attached, injury may result. |
|  The sewing machine should not be used for any applications other than sewing. |  Do not touch any of the moving parts or press any objects against the machine while sewing, as this may result in personal injury or damage to the machine. |
|  Be sure to wear protective goggles when using the machine.
If goggles are not worn, there is the danger that if a needle breaks, parts of the broken needle may enter your eyes and injury may result. |  Use both hands to hold the machine head when tilting it back or returning it to its original position. If only one hand is used, the weight of the machine head may cause your hand to slip, and your hand may get caught. |
|  Turn off the power switch at the following times. The machine may operate if the treadle is depressed by mistake, which could result in injury. <ul style="list-style-type: none">• When threading the needle• When replacing the bobbin and needle• When not using the machine and when leaving the machine unattended |  If an error occurs in machine, or if abnormal noises or smells are noticed, immediately turn off the power switch. Then contact your nearest Brother dealer or a qualified technician. |
|  If using a work table which has casters, the casters should be secured in such a way so that they cannot move. |  If the machine develops a problem, contact your nearest Brother dealer or a qualified technician. |

Cleaning

- | | |
|--|--|
|  Turn off the power switch before carrying out cleaning. The machine may operate if the treadle is depressed by mistake, which could result in injury. |  Be sure to wear protective goggles and gloves when handling the lubricating oil and grease, so that they do not get into your eyes or onto your skin, otherwise inflammation can result.
Furthermore, do not drink the oil or eat the grease under any circumstances, as they can cause vomiting and diarrhea.
Keep the oil out of the reach of children. |
|  Use both hands to hold the machine head when tilting it back or returning it to its original position. If only one hand is used, the weight of the machine head may cause your hand to slip, and your hand may get caught. |  Use only the proper replacement parts as specified by Brother. |

Maintenance and inspection

- | | |
|---|---|
|  Disassembly, assembly, maintenance and inspection of the sewing machine should only be carried out by a qualified technician. |  If the power switch needs to be left on when carrying out some adjustment, be extremely careful to observe all safety precautions. |
|  Ask your Brother dealer or a qualified electrician to carry out any maintenance and inspection of the electrical system. |  Be careful not to touch your fingers or the lubrication amount check sheet against moving parts such as the rotary hook or the feed mechanism when checking the amount of oil supplied to the rotary hook, otherwise injury may result. |
|  Turn off the power switch and disconnect the power cord from the wall outlet at the following times, otherwise the machine may operate if the treadle is depressed by mistake, which could result in injury. <ul style="list-style-type: none">• When carrying out inspection, adjustment and maintenance• When replacing consumable parts such as the rotary hook and knife |  Use only the proper replacement parts as specified by Brother. |
|  Turn off the power switch before inserting or removing the plug, otherwise damage to the control box could result. |  If any safety devices have been removed, be absolutely sure to re-install them to their original positions and check that they operate correctly before using the machine. |
|  Use both hands to hold the machine head when tilting it back or returning it to its original position. If only one hand is used, the weight of the machine head may cause your hand to slip, and your hand may get caught. |  Any problems in machine operation which result from unauthorized modifications to the machine will not be covered by the warranty. |

3.Warning labels

The following warning labels appear on the sewing machine.


Please follow the instructions on the labels at all times when using the machine. If the labels have been removed or are difficult to read, please contact your nearest Brother dealer.


1

	⚠ 危険		⚠ 危険	
	高電圧部分にふれて、大けがをすることがある。電源を切り、5分たってからカバーをはずすこと。		触摸高压电部分，会导致受伤。在切断电源5分钟后，再开启盖罩。	
⚠ DANGER	⚠ GEFAHR	⚠ DANGER	⚠ PELIGRO	
Hazardous voltage will cause injury. Turn off main switch and wait 5minutes before opening this cover.	Hochspannung verletzungsgefahr! Bitte schalten sie den hauptschalter aus und warten sie 5 minuten, bevor sie diese abdeckung öffnen.	Un voltage non adapte provoque des blessures. Eteindre l'interrupteur et attendre 5 minutes avant d'ouvrir le capot.	Un voltaje inadecuado puede provocar las heridas. Apagar el interruptor principal y esperar 5 minutos antes de abrir esta cubierta.	

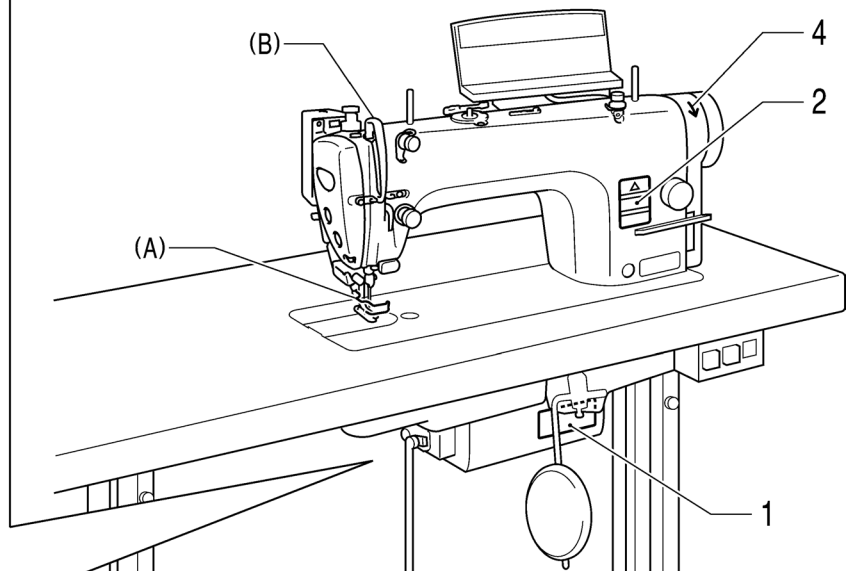
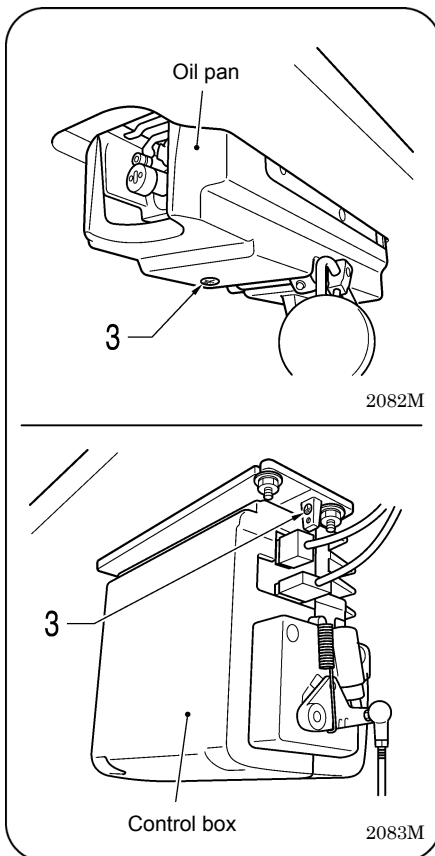
2


⚠ 注意
動く部分でけがをする。安全保護装置をつけて、縫製作業をすること。電源を切ってから、糸通し、ボビンや針の交換、掃除や調整をすること。
⚠ CAUTION
Moving parts may cause injury. Operate with safety devices. Turn off main switch before threading, changing bobbin and needle, cleaning etc.

3  Be sure to connect the ground. If the ground connection is not secure, you run a high risk of receiving a serious electric shock, and problems with correct operation may also occur.

4  Direction of operation

Safety devices:
(A) Finger guard
(B) Thread take-up cover




2084M

CONTENTS

1. MACHINE SPECIFICATIONS	1	6. REPLACING PARTS	34
2. OPTIONAL PARTS	2	6-1. Fixed knife.....	34
3. NOTES ON HANDLING	3	6-2. Movable knife	34
4. FUNCTION SETTINGS	4	6-3. Rotary hook RP.....	35
4-1. Maximum sewing speed and start backtack sewing speed setting methods	4	6-4. Feed bar shaft, Lifting feed shaft, Needle bar connecting rod unit.....	36
4-2. Using the LOCK key	5	7. APPLYING GREASE (WHEN “GREASEUP” APPEARS)	37
4-3. Setting the DIP switches.....	5	8. CONTROL SYSTEM	39
4-4. Setting functions	6	9. CONTROL BOX AND MOTOR	40
4-5. Function List	7	9-1. Removing and installing the control box	40
4-6. Clearing saved data (Initialization)	21	9-2. Control box and motor rating plate.....	41
5. ADJUSTMENTS	22	9-3. Control circuit board.....	43
5-1. Adjusting the safety switch position.....	22	9-4. Checking the motor and power supply	45
5-2. Adjusting the thread take-up spring.....	23	9-5. Checking the solenoids.....	46
5-3. Adjusting arm thread guide R.....	24	10. TREADLE UNIT ASSEMBLY	47
5-4. Adjusting the presser foot height.....	24	10-1. Types	47
5-5. Adjusting of the feed dog height.....	25	10-2. Standard setting values	48
5-6. Adjusting the feed dog angle.....	26	10-3. Setting method for standard depression strokes.....	49
5-7. Adjusting the needle bar height.....	27	11. STANDING OPERATION PEDAL	51
5-8. Adjusting the needle and feed mechanism timing.....	27	11-1. Installing the foot plug	51
5-9. Adjusting the needle and rotary hook timing	28	11-2. Connectors.....	52
5-10. Quick reverse mechanism.....	29	12. TROUBLESHOOTING	53
5-11. Matching stitch lengths for normal feed and reverse feed.....	29	12-1. Sewing	53
5-12. Adjusting the tension release wire.....	30	12-2. Error code displays	57
5-13. Adjusting the needle up stop position.....	31		
5-14. Adjusting the treadle.....	31		
5-15. Adjusting the rotary hook lubrication amount (-40[] / 43[])	32		
5-16. Selecting tension release	33		
5-17. Adjusting the presser foot floating amount (minute lifting amount).....	33		

1. MACHINE SPECIFICATIONS

			4	
	Quick reverse		○	
	Thread wiper		○	
		0	3	5
Lubrication type		Minimum lubrication	Semi dry	Complete dry
		S	3	5
Use		For light-weight and difficult-to-sew materials	For medium-weight materials	For heavy-weight materials

	-43S -45S	-453	-403 -433	-405
Max. sewing speed	4,000 rpm		5,000 rpm*	4,500 rpm*
Start backtacking and continuous backtacking speed	220–3,000 rpm			
End backtacking speed	220–1,800 rpm			
Max. stitch length	4.2 mm	5 mm		
Needle bar stroke	29 mm	31 mm	35 mm	
Presser foot height	Lifting lever	6 mm		
	Knee lifter	16 mm		
	Solenoid type presser foot lifter	10 mm (Option)		
Feed dog	4 row			
Feed dog height	0.8 mm			1.2 mm
Bed size	517.5 mm × 178 mm			
Arm pocket size	Arm pocket width: 300 mm, Arm height: 137 mm			
Needle (DB×1, DP×5)	NS #9–#11	#11–#18		#19–#22
Motor	AC servo motor (4-pole, 450W)			
Control circuit	Microprocessor			
Power requirement	Single-phase 100–120V, 200–240V 3-phase 200–240V, 380–415V			
Power consumption	Power rating 400VA			
Weight	48kg			

*...When sewing at speeds of 4,000 rpm or higher, set the stitch length to 4.2 mm or less.

Rotary hook

-43S	-403 -433	-405	-45S -453
Lubricated / for light materials	Lubricated / for medium materials	Lubricated / for heavy materials	Rotary hook RP (lubrication-free rotary hook)

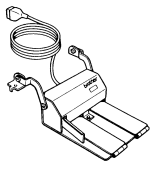
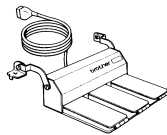
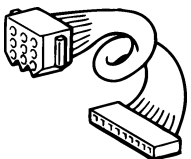
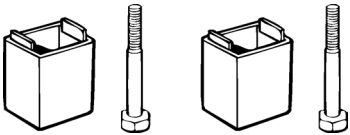
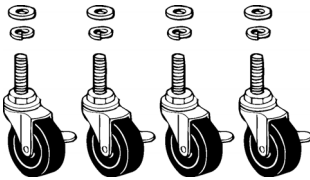
Lubricating oil

	-40[]	-43[]	-45[]
Rotary hook	High-speed spindle	High-speed spindle	-
Needle bar		Special Brother grease	Special Brother grease

2. OPTIONAL PARTS

Part name		Part code
Solenoid type presser foot lifter set A	With knee switch	SA1999-001
Solenoid type presser foot lifter set B	Without knee switch	SA1397-001
Option actuator set		SA2407-001
Tension gauge set		183922-101
Material edge sensor (S2 SENSOR, S7200A)		J80975-001

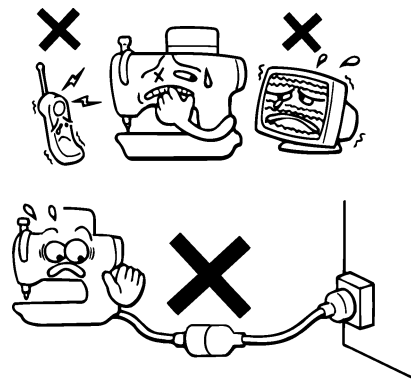
<Table parts>

Part name		Part code
 0772M	Standing operation 2 pedal #6 (Two pedals +kick pedal)	J80081-040
 0773M	Standing operation 3 pedal #40 (Three pedals)	J80380-040
	Standing operation 3 pedal two-speed (Three pedals)	J80630-001
 1144M	Foot plug set, NDD (for control box)	J04099-001
 0527M	Spacer set	183504-009
 0528M	Caster set	183501-001

3. NOTES ON HANDLING

About the machine set-up location

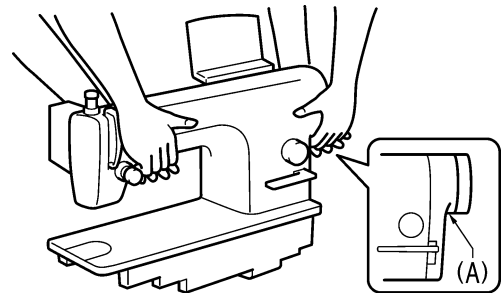
- Do not set up this sewing machine near other equipment such as televisions, radios or cordless telephones, otherwise such equipment may be affected by electronic interference from the sewing machine.
- The sewing machine should be plugged directly into an AC wall outlet. Operation problems may result if extension cords are used.



2086M

Carrying the machine

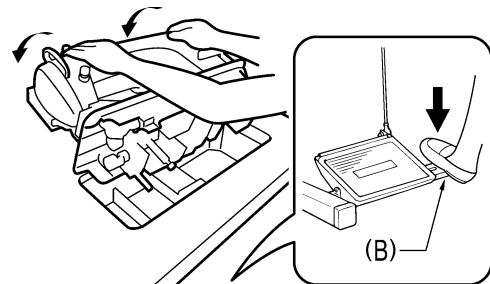
- The machine should be carried by the arm by two people as shown in the illustration.
- * Hold the motor cover (A) by hand also so that the pulley does not rotate.



2087M

Tilting back the machine head

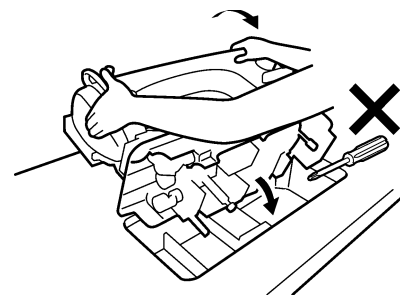
- Hold section (B) with your foot so that the table does not move, and then push the arm with both hands to tilt back the machine head.



2088M

Returning the machine head to the upright position

1. Clear away any tools, etc. which may be near the table holes.
2. While holding the face plate with your left hand, gently return the machine head to the upright position with your right hand.



2089M

4. FUNCTION SETTINGS

4-1. Maximum sewing speed and start backtack sewing speed setting methods

(1) If the LOCK key icon (1) is on, release the lock before carrying out the following operations.

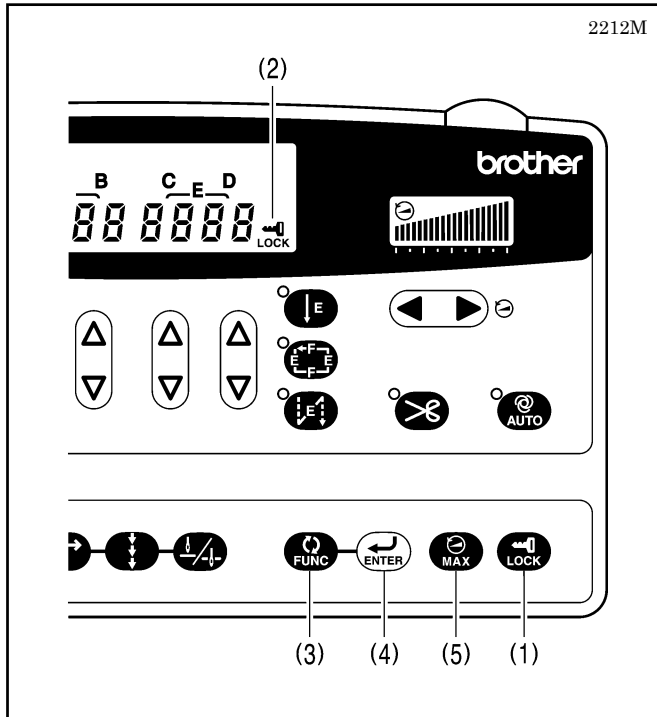
2232M

<p>1</p>	<p>(Current setting)</p> <p>Maximum sewing speed Start backtack sewing speed</p> <p>2233M</p>	<ul style="list-style-type: none"> The main display will change from an orange display to a green display.
<p>2</p>	<p>Maximum sewing speed setting</p> <p>2234M</p>	<ul style="list-style-type: none"> The maximum sewing speed can be set to a speed from 220 rpm to the maximum sewing speed that has been set for the head detector unit. If all numbers in the sewing speed control display (2) are illuminated, sewing will be carried out at the maximum speed that is set here when the treadle is fully depressed. <p>2235M</p>
<p>3</p>	<p>Start backtack sewing speed setting</p> <p>2236M</p>	<ul style="list-style-type: none"> The start backtack sewing speed can be set to a speed from 220 rpm to 3,000 rpm. (The factory default setting is 1,800 rpm.)
<p>4</p>	<p>2159M</p>	<ul style="list-style-type: none"> When sewing starts, the sewing speed display disappears and returns to the orange display.

NOTE:

When the main display is green, normal key operations such as the start backtack key and the fixed stitch key cannot be used. Press the MAX key once more to clear the sewing speed display and return to the orange display. Normal key operations can then be carried out.

4-2. Using the LOCK key



When the power switch is turned on, the LOCK key (1) turns on. (The icon (2) is illuminated.)
 In this state, the following three key operations are disabled so that setting values cannot be changed accidentally.

- FUNC key (3)
- ENTER key (4)
- MAX key (5)

<Releasing the lock>

Press down the LOCK key (1) for 2 seconds or more.
 The icon (2) will switch off and the lock will be released.

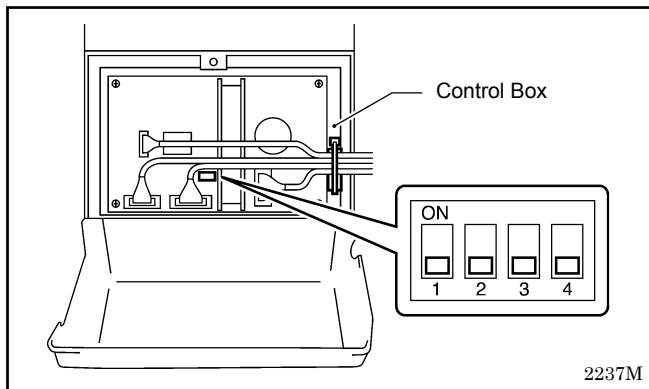
<Setting the lock>

When the icon (2) is switched off, press down the LOCK key (1) for 2 seconds or more.
 The icon (2) will illuminate and the above three key operations will become disabled.

4-3. Setting the DIP switches



Wait at least 5 minutes after turning off the power switch and disconnecting the power cord from the wall outlet before opening the face plate of the control box. Touching areas where high voltages are present can result in severe injury.



1	Presser foot position when the treadle is returned to the neutral position after thread trimming	ON	Presser foot is lowered. (Export specification)
		OFF	Presser foot is kept raised. (Japanese specification only) (See NOTE 1.)
2	Presser foot lowering when the treadle is depressed to step 1. (See NOTE 2)	ON	Enabled
		OFF	Disabled
3			Spare
4			Always set to off. (See NOTE 3.)

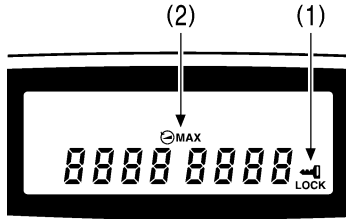
(NOTE 1) Once the knee lifter switch is used to lower the presser foot, the treadle can not be used to raise the presser foot while the machine is stopped; at this time, only the knee lifter is able to raise and lower the presser foot.

(NOTE 2) The treadle unit should also be adjusted when using this function. (Refer to page 47.)

(NOTE 3) When set to ON, treadle operation is disabled, so it should always be left at OFF.

If set to ON, the messages "d P 58 4" (green) and "ERR 10 1" (orange) will flash alternately in the display.

4-4. Setting functions



2238M

- If the LOCK key icon (1) is on, release the lock before carrying out the following operations.
- If the MAX key icon (2) is on, press the MAX key to return the main display to stitch number display (orange).

<p>1</p>		<ul style="list-style-type: none"> • The main display will change to green and function setting mode will be enabled.
<p>2</p>	<p>Selecting the function number</p>	<ul style="list-style-type: none"> • Refer to the "Function List" to select the number for the function that you would like to change the setting for.
<p>3</p>	<p>Changing the setting value</p>	<ul style="list-style-type: none"> • Refer to the "Function List" to change the setting to a value within the setting range.
<p>4</p>	<p>(Press for 2 seconds or more)</p>	<ul style="list-style-type: none"> • The buzzer will sound for approximately 1 second, and then the setting will be accepted. • The main display will return to the stitch number display (orange).

2239M

2240M

2241M

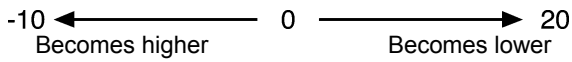
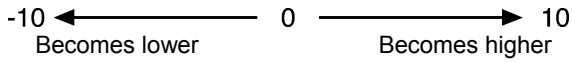
2242M

NOTE:

- If you depress the treadle before pressing the ENTER key, the main display will return to orange and the setting value will not be changed.
- If you change the function number after changing the setting value but before pressing the ENTER key, the setting value will not be changed. You need to press the ENTER key for each function number for the setting to be accepted.

4-5. Function List

Function No. 0–15

No.	Initial value	Setting range	Setting details
0	0 (degrees)	-10–20 (degrees)	Needle up stop position setting  2243M
1	0 (degrees)	-10–10 (degrees)	Needle down stop position setting  2244M
2	0	0–1	Depressing forward when depressed backward (thread trimming) 0: Disabled (depressing forward is enabled after returning to neutral position) 1: Enabled
3	1	0–1	Power supply voltage drop check (reset detection) function 0: Not used 1: Used; "Err 6" is displayed when a voltage drop occurs
4	0	0–1	Buzzer (electronic sound) for panel operation 0: Used 1: Not used
5	0	–	(Do not change this setting.)
6	0	0–1	Needle penetration up operation 0: Used 1: Not used
7	0	0–1	Backtack sewing speed 0: Limited by sewing speed control key 1: Not limited by sewing speed control key
9	0	0–1	End backtack sewing speed 0: Separate setting from start backtack sewing speed is possible 1: Setting for start backtack sewing is used
11 (NOTE 1)	0	0–4	Option actuator operation setting 0: Half stitch correction sewing 1: Single stitch correction sewing 2: Single reverse stitch correction sewing (reverse feed) 3: Thread trimming 4: Single end backtack cycle cancel
12	0	0–1	Presser foot status when treadle is returned to neutral after thread trimming 0: Presser foot drops (See NOTE 2) 1: Presser foot does not drop
13	0	0–1	Presser foot status after treadle stops at neutral 0: Presser foot does not lift 1: Presser foot lifts
14	0	0–1	Actuator function 0: Reverse stitch switch during operation, correction sewing switch when stopped 1: Thread trimming switch
15	0	0–1	Slow stop control when treadle is returned to neutral 0: Slow stop control without step operation 1: Above control is not used

(NOTE 1) If function No. 69 is set to "3", operation is enabled.

(NOTE 2) Presser foot will not drop if DIP switch 1 is set to OFF.

Function No. 16-30

No.	Initial value	Setting range	Setting details
16	3 (minutes)	0-30 (minutes)	Overtime function 0: Not used 1-30: Machine stops after continuous operation for set time, and "Err 8" is displayed.
17	0	0-2	Correction sewing function (See NOTE 3) 0: Half stitch correction sewing/Single stitch correction sewing 1: No correction sewing/Single stitch correction sewing 2: Reverse stitch (reverse feed) correction sewing/Single stitch correction sewing
18	20 (ms)	10-200 (ms)	
19	50 (ms)	10-200 (ms)	
20	50 (ms)	10-200 (ms)	
21	0	0-1	Start backtack sewing operation 0: Stitch number A, B (N stop) 1: Stitch number A, B, A, B (N stop double)
22	0	0-1	End backtack sewing operation 0: Stitch number C, D 1: Stitch number C, D, C, D (N stop double)
23 (NOTE 4)	0 (stitches)	0-99 (stitches)	Stitch number G
24 (NOTE 5)	0 (stitches)	0-99 (stitches)	Stitch number H
25 (NOTE 6)	0 (stitches)	0-99 (stitches)	Stitch number I
26	0	0-1	Speed for moving to end backtack 0: Decelerates to low speed, then end backtacking starts 1: Decelerates to end backtacking speed, then end backtacking starts (Cycle time can be shortened.)
27	0	0-1	Continuous backtacking operation 0: Stitch number A, B, C, D 1: Stitch number A, B x D times
28	0	0-1	Feed direction when stopping immediately after start backtacking 0: Quick reverse solenoid turns off and stops in normal feed direction 1: After stopping, quick reverse solenoid turns OFF (See NOTE 7)
30	150 (ms)	0-500 (ms)	Delay time until motor starts operating when using automatic presser lifter and the presser foot is raised when sewing starts

(NOTE 3) The setting to the left of the "/" symbol is when the correction stitch icon is off, and the setting to the right is when the correction stitch icon is on.
Turn the power off and back on again when this setting is changed. The setting will be enabled after the power turns back on.

(NOTE 4) Stitch number setting is enabled when Function No. 118 is set from "1" to "3".

(NOTE 5) Stitch number setting is enabled when Function No. 118 is set to "2" or "3".

(NOTE 6) Stitch number setting is enabled when Function No. 118 is set to "3".

(NOTE 7) Operates when treadle is lightly pressed when Function No. 31 is set to "0".

4. FUNCTION SETTINGS

Function No. 31–46

No.	Initial value	Setting range	Setting details
31	0	0–1	Stopping during start backtacking and speed during start backtacking 0: When treadle is returned to neutral, start backtacking finishes and then operation stops, and the speed is the start backtacking (constant) speed 1: When treadle is returned to neutral, stopping is possible while start backtacking is in progress, and the start backtacking speed corresponds to the treadle depression amount (low speed up to start backtacking speed)
32	300 (ms)	10–990 (ms)	Presser foot lifter solenoid fully ON time
33	0	0–1	Operation during pleat sewing setting 0: Reverse sewing operation when actuator switch is ON 1: Fixed stitch sewing operation when actuator switch is ON (fixed stitch sewing recall function)
35	0	0–1	Presser foot soft down mode 0: Automatic mode (See NOTE 8) 1: Manual mode (See NOTE 9)
36	180 (seconds) (3 minutes)	0–240 (seconds)	Presser foot lift time 0: No timer function (does not drop) 1–240: Presser foot drops after set time
37	0	0–1	Automatic presser foot lifter type 0: Solenoid type (See NOTE 10) 1: Pneumatic type (See NOTE 11)
38 (NOTE 12)	40 (ms)	20–120 (ms)	Delay time for presser foot lifter solenoid to turn on after presser foot drop command
39 (NOTE 13)	12	10–12	Voltage detection constant for presser foot lifter solenoid to turn on after presser foot drop command
40	0	0–1	Operation after knee switch is used to raise and lower presser foot (See NOTE 14) 0: Presser foot cannot be raised and lowered by depressing the treadle backward 1: Above operation is possible
41	0	0–1	Presser foot lifting when treadle is depressed backward to 1st step after returning to neutral 0: Possible 1: Not possible
42	0	0–1	Operation when treadle is depressed backward 0: Thread trimming operation 1: Thread trimming operation disabled (presser foot is raised when treadle is depressed backward)
43	0	0–1	Depressed backward operation after treadle is returned to neutral and needle stops in the up position 0: Single stitch is sewn and then the thread is trimmed (lock stitchers) 1: Thread wiping operation when needle is stopped in up position (chain stitchers)
44	0	0–1	Operation when Standing operation variable speed pedal is on 0: Sewing speed corresponds to treadle depression amount 1: Sewing speed corresponds to sewing speed control key setting (constant speed)
45	80 (ms)	0–500 (ms)	Delay time from standing pedal turning on until motor starts operating
46	0	0–1	Operation during standing operation when AUTO function is on 0: Sewing pauses when presser foot lifter pedal is on (operation pause) 1: Above function is not used

(NOTE 8) Adjustment of Function No. 39 is necessary.

(NOTE 9) Adjustment of Function No. 38 is necessary.

(NOTE 10) Duty during chopping can be changed using Function No. 115.

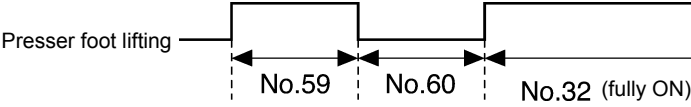
(NOTE 11) Duty during chopping can be changed using Function No. 116.

(NOTE 12) Only enabled when Function No. 35 is set to "1".

(NOTE 13) Only enabled when Function No. 35 is set to "0". If set to "10", response is fastest and operating noise is greatest.

(NOTE 14) Setting is only enabled when DIP switch 1 is set to OFF.

Function No. 47-60

No.	Initial value	Setting range	Setting details
47	0	0-1	Operation during standing operation when AUTO function is on 0: Operation stops when high speed pedal turns back on, and restarts when off 1: Above function is not used
48	0	0-1	Thread trimming pedal function after thread trimming during standing operation 0: Presser foot can be raised and lowered 1: Above operation not used (only possible using presser foot lifter pedal)
49	0	0-1	Alternate standing operation pedal and treadle operation (See NOTE 15) 0: Treadle operation is disabled after standing operation pedal is used 1: Treadle operation can also be used after standing operation pedal is used (alternate operation is possible)
51*	0	0-1	Correction stitch sewing using actuator switch after thread trimming 0: Not possible (switch operation disabled) 1: Possible
52	2 (needles)	1-99 (needles)	Number of slow start stitches
53*	10 (needles)	0-100 (needles)	Count units for stitch counter display 0: No counting operation 1-100: Display counts down by number of stitches set
54*	1	0-2	Operation when stitch counter warning occurs ("!" icon is illuminated) 0: Starting using treadle is enabled as normal 1: Starting using treadle is disabled (thread trimming by depressing treadle backward is possible) 2: Starting using treadle is completely disabled once treadle is returned to neutral and operation stops
55 (NOTE 16)	0	0-1	Operation after treadle is depressed backward or knee switch is operated when presser foot is raised 0: When treadle is returned to neutral, presser foot is raised 1: When treadle is returned to neutral, presser foot is lowered
56	0	0-1	Function for preventing needle bar operation when treadle is accidentally depressed forward when it is returned to neutral after being depressed backward 0: Used 1: Not used
57 (NOTE 17)	0	0-1	Operation when treadle is depressed forward to 1st step when presser foot is raised 0: Presser foot is lowered 1: Presser foot is not lowered
58	0	0-1	Presser foot soft up function 0: Not used 1: Used (Function No. 59 and No. 60 must be set.)
59	0 (ms)	0-150 (ms)	Presser foot soft up timer setting (When Function No. 58 is set to "1") 
60	0 (ms)	0-99 (ms)	

2247M

(NOTE 15) Presser foot lifter pedal operation is not included. In the case of simultaneous operation, the standing operation pedal takes priority.

(NOTE 16) Setting is only enabled when DIP switch 1 is set to ON.

(NOTE 17) Setting is only enabled when DIP switch 2 is set to ON.

*... Settings indicated with " * " are enabled when the power is turned off and then back on.

4. FUNCTION SETTINGS

Function No. 61–68

No.	Initial value	Setting range	Setting details
61	0	0–1	Highest needle position stop operation 0: Not used 1: Used
62 (NOTE 18)	0	0–1	Thread wiping operation during highest needle position stop operation 0: Thread wiping occurs after needle stops in highest position 1: Thread wiping occurs after thread trimming, and then needle bar is raised
63	0	0–1	Thread trimming timer operation 0: Not used (Thread trimming is off when needle bar is stopped at the up position) 1: Used (Time is set using Function No. 73)
65 (NOTE 18)	150 (ms)	10–500 (ms)	Delay time until reverse operation starts during highest needle position stop operation
66 (NOTE 18)	0	0–1	Presser foot lift timing during highest needle position stop operation 0: Presser foot is raised after needle bar is raised 1: Presser foot is raised before needle bar lift operation starts (See NOTE 19)
67 (NOTE 18)	0 (degrees)	-20–20 (degrees)	Highest needle position stop position setting <div style="text-align: center;"> <p style="margin: 0;">-20 ← 0 → 20</p> <p style="margin: 0; font-size: small;">Becomes lower Becomes higher</p> </div> 2248M
68 (NOTE 20)	0	0–1	Seam matching function during automatic backtacking 0: Operation does not stop when switching cloth feed direction 1: Operation momentarily stops when switching cloth feed direction

(NOTE 18) Setting is enabled when Function No. 61 is set to "1".

(NOTE 19) Operation is disabled when Function No. 62 is set to "1". Presser foot is raised after needle bar is raised.

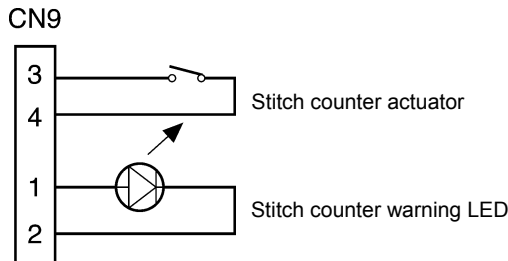
(NOTE 20) Used when you would like to match the seam accurately during automatic backtacking. Use Function No. 78 to set the stop position and Function No. 79 to change the time before restarting.

Function No. 69

No.	Initial value	Setting range	Setting details
69	0	0-3	Actuator (option) function 0: No function 1: Stitch counter actuator 2: Sewing speed actuator 3: Option actuator

<When set as a stitch counter actuator>

Connect to connector CN9 on the control circuit board.

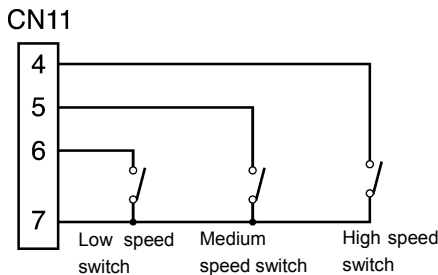


2249M

- The stitch counter warning LED illuminates when the stitch counter display reaches "-5". (This is the same function as the "!" icon in the operation panel icon display.)
- When the stitch counter actuator is pressed, treadle operation is possible. (This is the same operation as the RESET key on the operation panel.)

<When set as a sewing speed actuator>

Connect the switches to connector CN11 on the control circuit board.

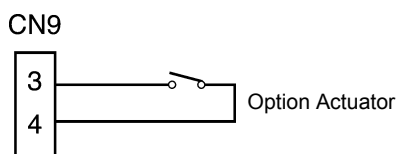


2250M

- When the low speed switch is pressed, the sewing speed becomes 1,000 rpm. The speed can be changed by setting Function No. 122.
- When the medium speed switch is pressed, the sewing speed becomes 3,000 rpm. The speed can be changed by setting Function No. 121.
- When the high speed switch is pressed, the sewing speed returns to the maximum sewing speed that has been set using the MAX key.

<When set as an option actuator>

Connect to connector CN9 on the control circuit board.



2251M

- Set the operation using Function No. 11.

4. FUNCTION SETTINGS

Function No. 70-72

No.	Initial value	Setting range	Setting details
70 (NOTE 21)	6	0-6	Option output setting 0: Puller 1: Needle cooler (synchronized output during operation) 2: Air saving 3: Condense 4: Chain stitch thread trimming (thread wiping) 5: Pneumatic wiper 6: No output
71 (NOTE 22)	0 (needles)	0-99 (needles)	Number of stitches from sewing start until puller is lowered 0: Synchronized with presser foot lifter operation 1-99: Puller is lowered after the set number of stitches is sewn
72 (NOTE 22)	10 (needles)	5-30 (needles)	Time until puller is lowered

(NOTE 21) The factory default setting is for no output, so the output must be set. Output is from pins 2-4 of connector CN15 on the control circuit board.

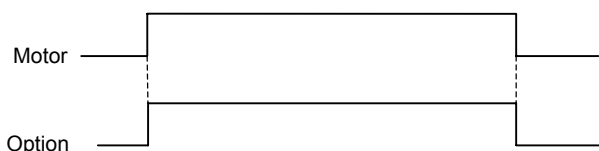
(NOTE 22) Setting is enabled when Function No. 70 is set to "0".

<When set to puller>

- When the sewing machine is stopped, the puller is lowered after 10 seconds in synchronization with the automatic presser foot lifter.
- During sewing, the puller is only raised when the reverse mechanism operates.
- The time of 10 seconds can be changed by setting Function No. 72.
- Function No. 71 can be used to set the number of stitches until the puller is lowered after sewing starts. If the puller is raised (in synchronization with the automatic presser foot lifter) while the sewing machine is stopped after thread trimming, this operation occurs.

<When set to needle cooler (synchronized output during operation)>

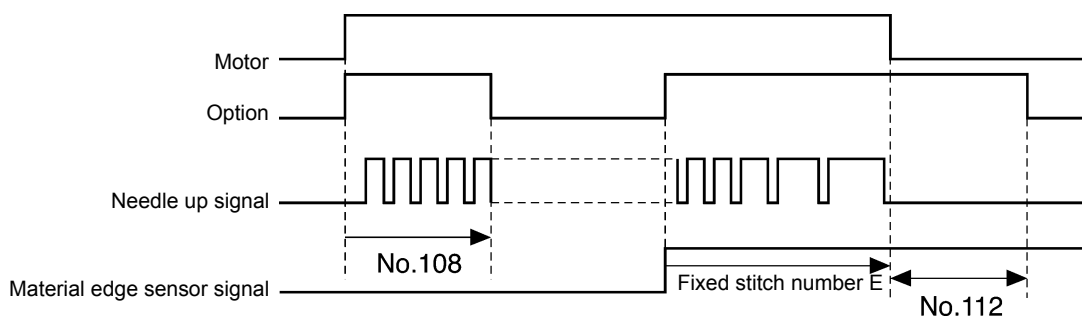
- Output is synchronized with motor operation.



2252M

<When set to air saving>

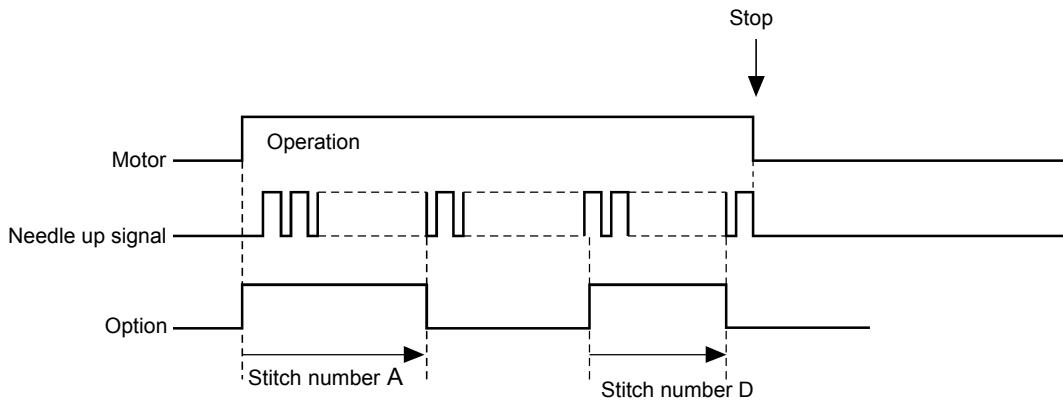
- Output only occurs at the sewing start and the sewing end. A material edge sensor (S2) is required for output at the sewing end.
- Function No. 108 is used to set the number of stitches at the sewing start. Output only occurs while the number of stitches set are being sewed after sewing starts.
- The number of stitches at the sewing end is set by fixed stitch number E at the operation panel. Output occurs when the edge of the material is detected.
- The delay time after thread trimming until output turns off is set using Function No. 112. If the needle stops in the down position after the edge of the material is detected, output turns off when the needle stops.



2253M

<When set to condense>

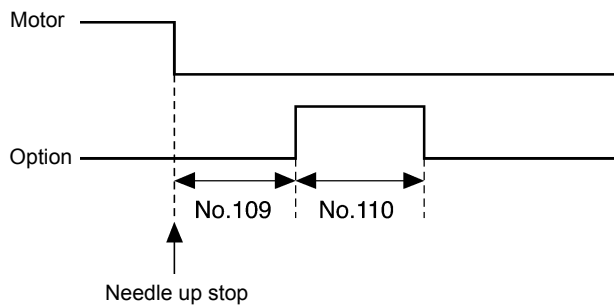
- Start backtacking or end backtacking must be set.
- For the sewing start, set stitch number B to "0". Output will occur while stitches for stitch number A are being sewn.
- For the sewing end, set stitch number C to "0". Output will occur while stitches for stitch number D are being sewn.



2254M

<When set to chain stitch thread trimming (thread wiping)>

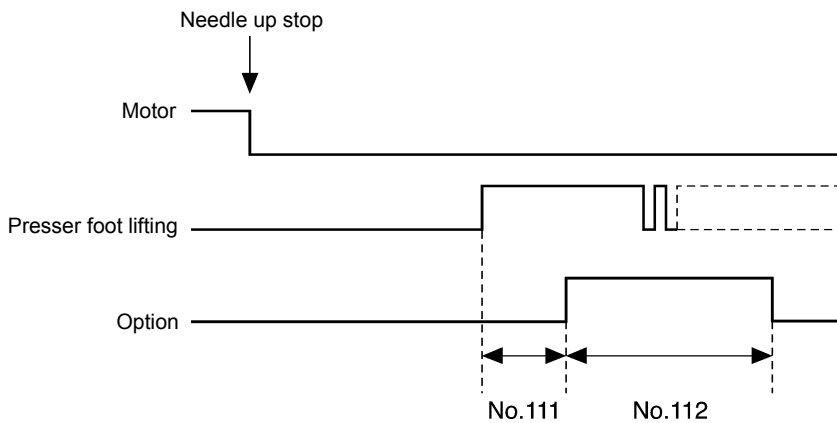
- After thread trimming, the thread wiper signal is output.
- Use Function No. 109 and No. 110 to set the timer operation.



2255M

<When set to pneumatic wiper>

- After thread trimming, output is synchronized with the automatic presser foot lifter.
- Use Function No. 111 and No. 112 to set the timer operation.
- When the presser foot is lowered, option output turns off.



2256M

4. FUNCTION SETTINGS

Function No. 73-79

No.	Initial value	Setting range	Setting details
73 (NOTE 23)	90 (ms)	50-150 (ms)	Thread trimming on time
74	15 degrees	-345-345 (degrees)	Quick reverse solenoid on timing during start backtacking/continuous backtacking
75	-30 degrees	-345-345 (degrees)	Quick reverse solenoid off timing during start backtacking/continuous backtacking
76	-30 degrees	-345-345 (degrees)	Quick reverse solenoid off timing during end backtacking
77 (NOTE 24)	15 degrees	-345-345 (degrees)	Quick reverse solenoid on timing during end backtacking
78 (NOTE 25)	180 (degrees)	0-350 (degrees)	Pause position when switching feed direction
79 (NOTE 26)	100 (ms)	10-500 (ms)	Pause time when switching feed direction

(NOTE 23) Setting is enabled when Function No. 63 is set to "1".

(NOTE 24) Setting is enabled when Function No. 22 or No. 26 is set to "1".

(NOTE 25) Setting is enabled when Function No. 68 is set to "1". The stopping position is the angle after the need up signal turns on.

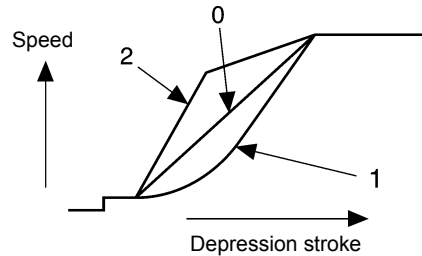
(NOTE 26) Setting is enabled when Function No. 68 is set to "1". The reverse feed mechanism switches at the stopping position.
When the stopping time has elapsed, the sewing machine restarts automatically.

<Settings for Function Nos. 74-77>

- If the values are set to values that are less than the initial value (- direction), the quick reverse solenoid on/off timing becomes faster. If the seam length immediately before switching occurs is short, change the setting to a value in the - direction.
- If the values are set to values that are greater than the initial value (+ direction), the quick reverse solenoid on/off timing becomes slower. If the seam length immediately after switching occurs is short, change the setting to a value in the + direction.

Function No.80-88

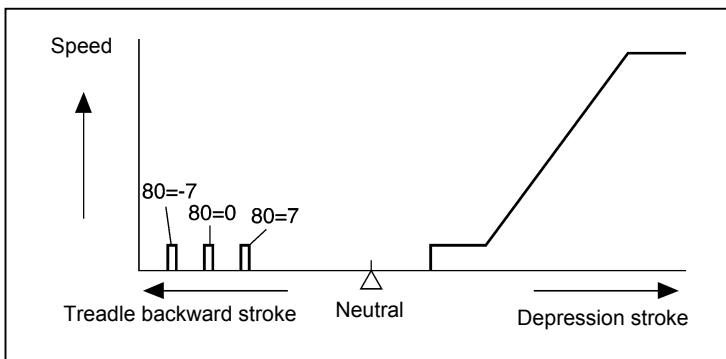
No.	Initial value	Setting range	Setting details
80*	0	-7-7	Treadle backward on (thread trimming) point
81*	0	-5-5	Treadle backward 1st step on (presser foot lifting) point
82*	0	-5-5	Treadle forward 1st step on (presser foot dropping) point
83*	0	-5-5	Treadle forward on (starting) point
84*	0	-5-5	Treadle variable speed range starting point
85*	0	-6-6	Treadle high speed range reaching point
86*	0	-2-2	Variable speed range starting point for standing operation variable speed pedal
87*	0	-2-2	High speed range reaching point for standing operation variable speed pedal
88*	0	0-2	Treadle speed curve 0: Constant 1: Curves downward 2: Curves upward



2257M

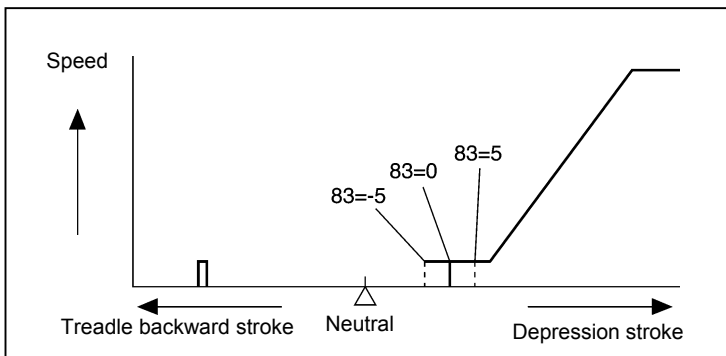
... Settings indicated with "" are enabled when the power is turned off and then back on.

With the treadle neutral position as the 0 point, the values in the forward direction are + (plus) values, and those in the backward direction are - (minus) values, so that the speeds accelerate or decelerate around the standard setting. (Refer to page 48 for details.)



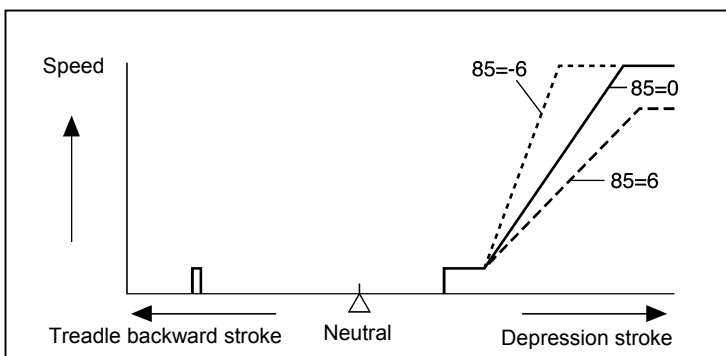
(ex. 1) Setting for Function No. 80

2258M



(ex. 2) Setting for Function No. 83

2259M



(ex. 3) Setting for Function No. 85

2260M

4. FUNCTION SETTINGS

Function No. 90-99

No.	Initial value	Setting range	Setting details
90	220 (rpm)	150-INCH (rpm)	Thread trimming speed (TRIM)
91	220 (rpm)	150-300 (rpm)	Low speed (INCH)
92	1400 (rpm)	500-2,500 (rpm)	Stop improvement speed (POS) [Do not change this setting.]
93	220 (rpm)	INCH-1,000 (rpm)	Slow speed (SLOW)
94	3,000 (rpm)	INCH-3,000 (rpm)	Start backtacking limit speed (SBL) (See NOTE 27)
96	1,800 (rpm)	INCH-3,000 (rpm)	End backtacking speed (EBT)
98	HIL (rpm)	INCH-HIL (rpm)	Automatic speed (AUTO)
99	(NOTE 28)	INCH-5,000 (rpm)	Maximum sewing speed limit speed (HIL) (See NOTE 29)

(NOTE 27) This is the upper limit for the start backtacking speed setting. Refer to page 4 for details on start backtacking speed settings.

(NOTE 28) This setting is read from the head detector unit.

(NOTE 29) This is the upper limit for the maximum sewing speed setting. Refer to page 4 for details on maximum sewing speed settings.

Function No. 108–114

No.	Initial value	Setting range	Setting details
108 (NOTE 30)	0 (needles)	0–99 (needles)	Number of stitches for option output (C1)
109 (NOTE 31)	10 (ms)	0–990 (ms)	Delay time until option output turns on (C2)
110 (NOTE 31)	0 (ms)	0–990 (ms)	Option output on time (C3)
111 (NOTE 32)	0 (ms)	0–990 (ms)	Delay time until option output turns on (C4)
112 (NOTE 33)	2000 (ms)	0–9900 (ms)	Option output on time (C5)
113 (NOTE 34)	0 (needles)	0–99 (needles)	Number of stitches for option output (C6)
114 (NOTE 34)	0 (needles)	0–99 (needles)	Number of stitches for option output (C7)

(NOTE 30) Setting is enabled when Function No. 70 is set to "2".

(NOTE 31) Setting is enabled when Function No. 70 is set to "4".

(NOTE 32) Setting is enabled when Function No. 70 is set to "5".

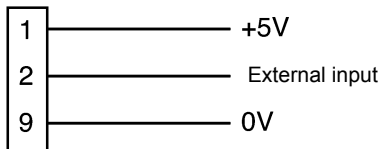
(NOTE 33) Setting is enabled when Function No. 70 is set to "2" or "5".

(NOTE 34) The stitch number control output signal can be set in accordance with the variable input signal.

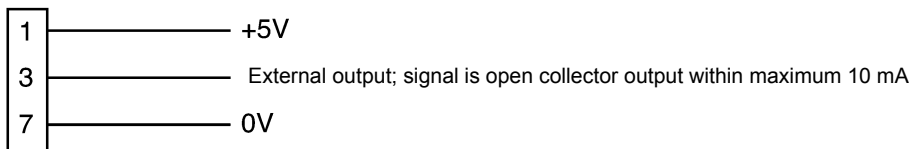
<Stitch number control output signal>

The variable input signal should be connected to connector CN6. The output signal is sent to connector CN11.

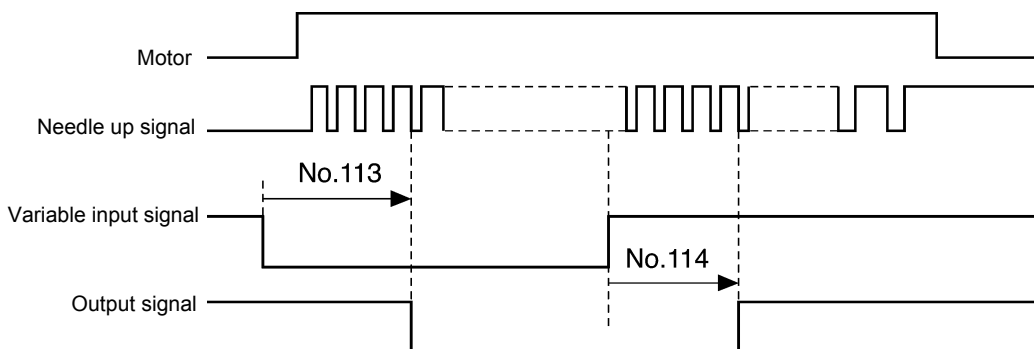
CN6



CN11



2262M



2263M

NOTE: If Function No. 112 and No. 113 are set to "0", output is synchronized with the variable input signal.

4. FUNCTION SETTINGS

Function No. 115-118

No.	Initial value	Setting range	Setting details
115 (NOTE 35)	10 (1.0 ms)	1-49 0.1-4.9 (ms)	<p>On time when solenoid-type presser lifter solenoid is chopping</p> <p style="text-align: right;">2264M</p>
116 (NOTE 36)	25 (2.5 ms)	1-49 (0.1-4.9 ms)	<p>On time when pneumatic-type presser lifter solenoid is chopping</p> <p style="text-align: right;">2265M</p>
117	11 (1.1 ms)	1-49 (0.1-4.9 ms)	<p>On time when quick reverse solenoid is chopping</p> <p style="text-align: right;">2266M</p>
118 (NOTE 37)	0	0-3	<p>Sewing pattern setting when name label key is on</p> <p>0: E-F-E-F (Name label attaching) 1: E-F-E-F-G 2: E-F-G-H-H-G-F-E (Pocket sewing 1) 3: E-F-G-H-I-H-G-F-E (Pocket sewing 2)</p> <div style="display: flex; justify-content: space-around; align-items: center;"> <div style="text-align: center;"> <p>1</p> </div> <div style="text-align: center;"> <p>2</p> </div> <div style="text-align: center;"> <p>3</p> </div> </div> <p style="text-align: right;">2267M</p>

(NOTE 35) Setting is enabled when Function No. 37 is set to "0".

(NOTE 36) Setting is enabled when Function No. 37 is set to "1".

(NOTE 37) When set to "1", stitch number G is set for function No. 23.

When set to "2", stitch number G is set for function No. 23 and stitch number H is set for Function No. 24.

When set to "3", stitch number G is set for function No. 23, stitch number H is set for Function No. 24 and stitch number I is set for Function No. 25.

Function No. 121–130

No.	Initial value	Setting range	Setting details
121 (NOTE 38)	3000 (rpm)	200–5000 (rpm)	Speed when medium speed switch is on
122 (NOTE 38)	1000 (rpm)	200–5000 (rpm)	Speed when low speed switch is on
123	45 (degrees)	30–90 (degrees)	Servo lock release angle (Do not change this setting.)
124*	0	0–1	Material edge sensor logic selection 0: Detects material absent 1: Detects material present
125	0	0–1	Servo lock operation 0: None 1: When stopped 2: When presser foot lifting signal is on
126	1 (seconds)	0–120 (seconds)	Servo lock timer setting 0: No timer operation 1–120: Timer operates (1–120 seconds)
128	0	0–3	Flicker reduction function (when flickering occurs from fluorescent light) 0: None 1: Medium flicker reduction 2: Low flicker reduction 3: High flicker reduction 4: [Do not use this setting, otherwise the motor will overheat.]
129	0	-2–2	Motor acceleration gain [Do not change this setting.]
130	0	-2–2	Motor deceleration gain [Do not change this setting.]

(NOTE 38) Setting is enabled when Function No. 69 is set to "2".

*... Settings indicated with " * " are enabled when the power is turned off and then back on.

Function No.132–135

The following function numbers show maintenance information.

No.	Description of displays
132	Cumulative power on time (Actual time = Displayed time x 10)
133	Cumulative operating time (Actual time = Displayed time xxxx x 10)
135	ROM version (x.xxx)

4-6. Clearing saved data (Initialization)

<Types of data that are cleared>

When saved data is cleared, the following data are returned to factory default settings.

- All data that has been set using the operation panel (including function setting data)

<Initializing the data>

Initializing all data

1. While pressing the RESET key on the operation panel, turn on the power switch.
The main display will change to orange and "iniT ALL" will be displayed.
2. Press the ENTER key.
Initialization will be carried out and the "iniT ALL" display will change to green.
3. After this, the operation panel and the treadle can be operated. When an operation is carried out, the display will return to the normal display.

Initializing only speed data

1. While pressing the MAX key on the operation panel, turn on the power switch.
The main display will change to orange and "iniT rPM" will be displayed.
2. Press the ENTER key.
The speed data will be initialized to the speed data from the head detector unit and the "iniT rPM" display will change to green.
3. After this, the operation panel and the treadle can be operated. When an operation is carried out, the display will return to the normal display.

Initializing only the function setting data

1. While pressing the FUNC key on the operation panel, turn on the power switch.
The main display will change to orange and "iniT FUnC" will be displayed.
2. Press the ENTER key.
Initialization of the function setting data will be carried out and the "iniT FUnC" display will change to green.
3. After this, the operation panel and the treadle can be operated. When an operation is carried out, the display will return to the normal display.

<Clearing data automatically>

When the power is turned on for the first time, the treadle and the operation panel cannot be operated for a period of approximately 4 seconds.

After approximately 4 seconds, the main display will change to green and "init rPM" will be displayed. "iniT rPM" means that the sewing machine's speed settings have been initialized.

In addition, this display will also appear in the following cases approximately 4 seconds after the power has been turned on.

- When the control box has been replaced
- When a sewing machine with different speed specifications to the control box is connected

NOTE:


When the power switch is turned on, any of the sewing machine's sewing speeds that are different from the setting data in the head detector unit are reset automatically.


When initialization is complete, the main display will change to green and "init rPM" will be displayed.


After this, the operation panel and the treadle can be operated. When an operation is carried out, the display will return to the normal display.


5. ADJUSTMENTS


CAUTION

 Disassembly, assembly, maintenance and inspection of the sewing machine should only be carried out by a qualified technician.


 Ask your Brother dealer or a qualified electrician to carry out any maintenance and inspection of the electrical system.

 If any safety devices have been removed, be absolutely sure to re-install them to their original positions and check that they operate correctly before using the machine.

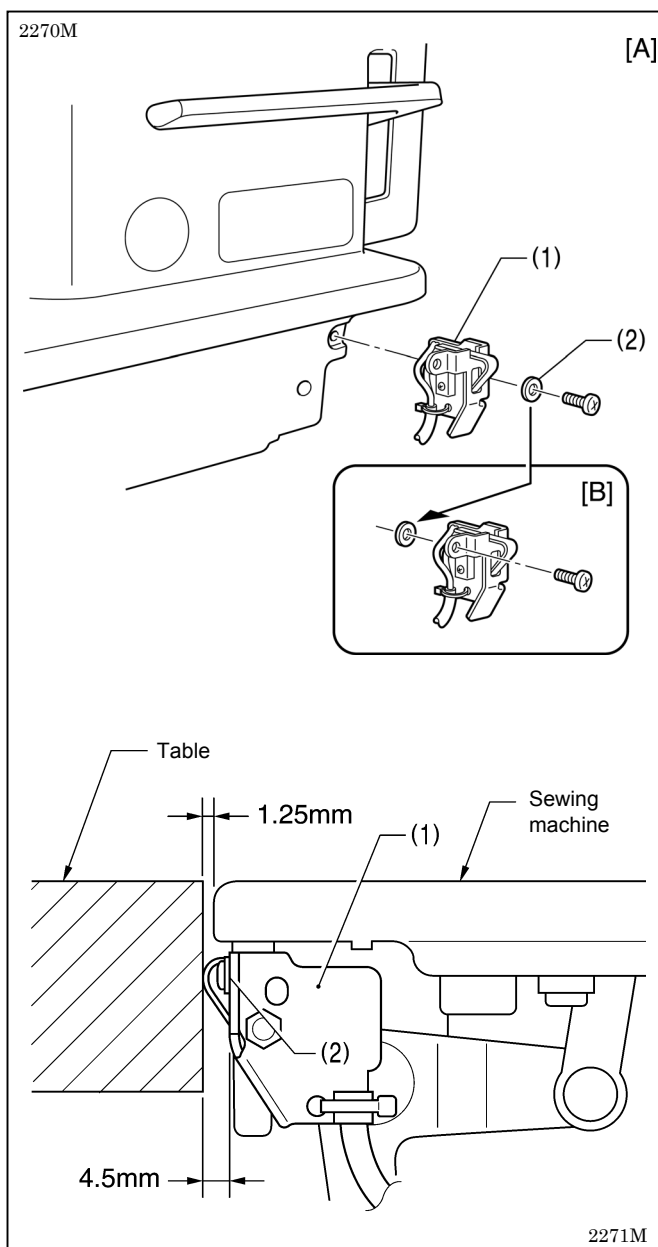
 Use both hands to hold the machine head when tilting it back or returning it to its original position. If only one hand is used, the weight of the machine head may cause your hand to slip, and your hand may get caught.

 Turn off the power switch and disconnect the power cord from the wall outlet at the following times, otherwise the machine may operate if the treadle is depressed by mistake, which could result in injury.

- When carrying out inspection, adjustment and maintenance
- When replacing consumable parts such as the rotary hook and knife

 If the power switch needs to be left on when carrying out some adjustment, be extremely careful to observe all safety precautions.

5-1. Adjusting the safety switch position



The safety switch (1) is normally installed as shown in figure [A].

However, if the processing method used for the table leaves too much space between the machine head and the table hole, it may adversely affect the operation of the safety switch (1).

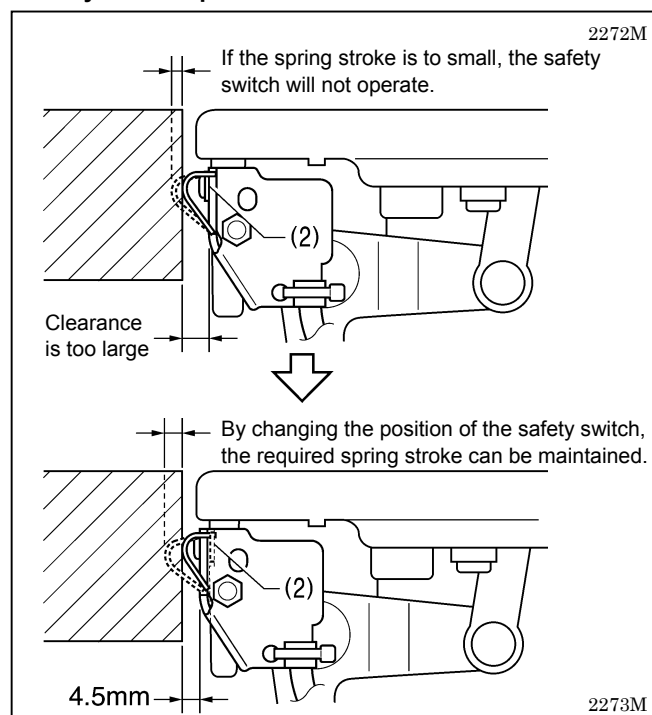
<Adjustment method>

The standard amount of clearance between the machine head and the table hole is 1.25 mm. (At this time, the clearance between the safety switch (1) and the table hole is 4.5 mm.)

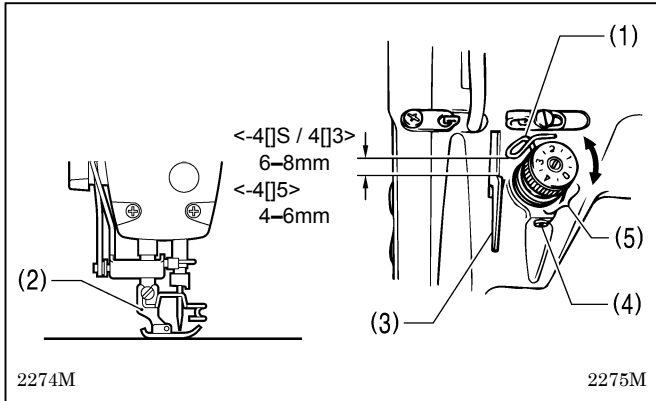
If the clearance is too great, place a washer (2) on the machine head side as shown in figure [B] and re-install the safety switch (1).

* If the position cannot be satisfactorily adjusted in this way, add more washers of the same thickness.

<Safety switch operation>



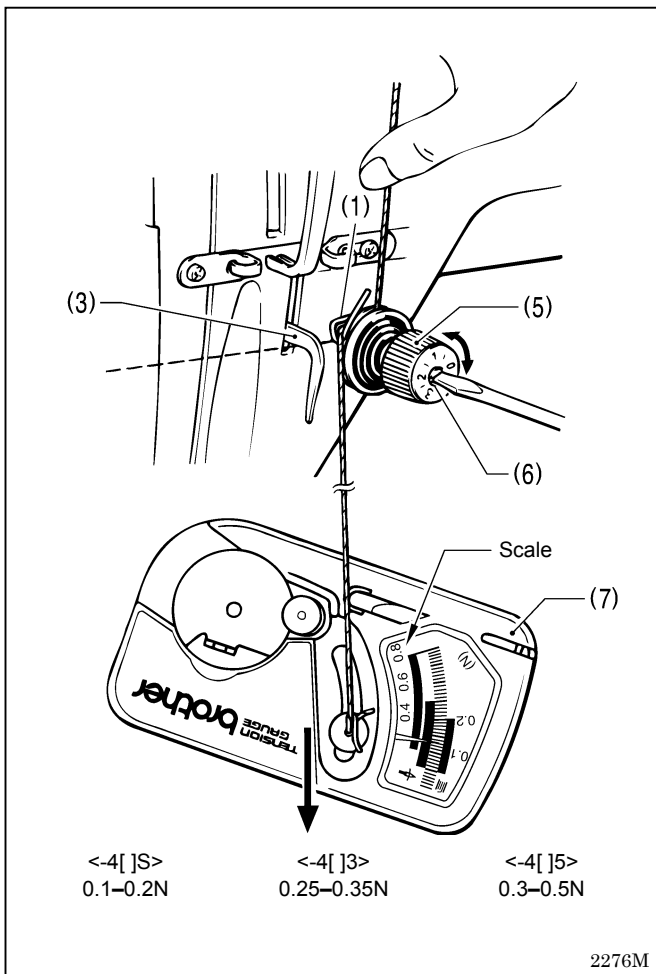
5-2. Adjusting the thread take-up spring



<Thread take-up spring position>

The standard position of the thread take-up spring (1) is 6-8 mm [4-6 mm for -4[5] specifications] above the surface of the thread guide (3) when the presser foot (2) is lowered.

1. Lower the presser foot (2).
2. Loosen the set screw (4).
3. Turn the thread tension bracket (5) to adjust the spring position.
4. Securely tighten the set screw (4).



<Thread take-up spring tension>

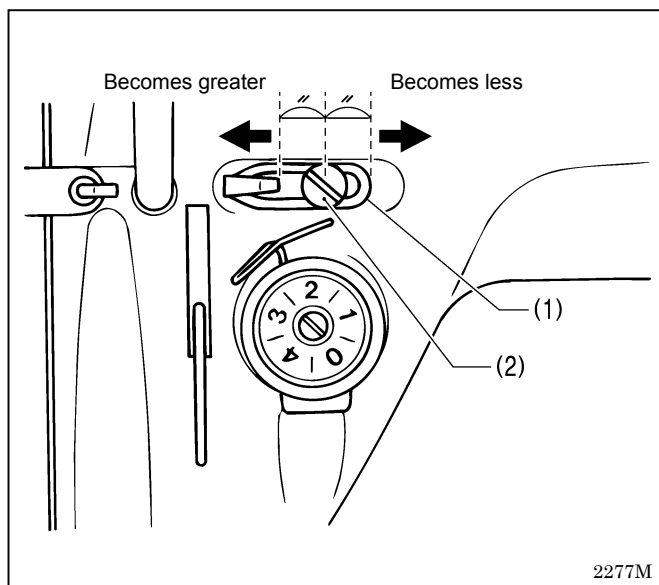
The standard tension of the thread take-up spring (1) varies in accordance with the machine specifications as shown in the table.

<-4[S] specifications	0.1-0.2N
<-4[3] specifications	0.25-0.35N
<-4[5] specifications	0.30-0.5N

1. Push the needle thread with your finger until it is slightly higher than the thread tension bracket (5) and so that the upper thread is not pulled out.
2. Pull the upper thread down until the thread take-up spring (1) is at the same height as the base of the thread guide (3), and then measure the tension of the thread take-up spring (1).
3. Insert a screwdriver into the slot of the tension stud (6), and turn the screwdriver to adjust the tension of the thread take-up spring (1).

NOTE: If using the tension gauge (7) (sold separately) to measure the tension, take the reading from the scale on the side of the red line.

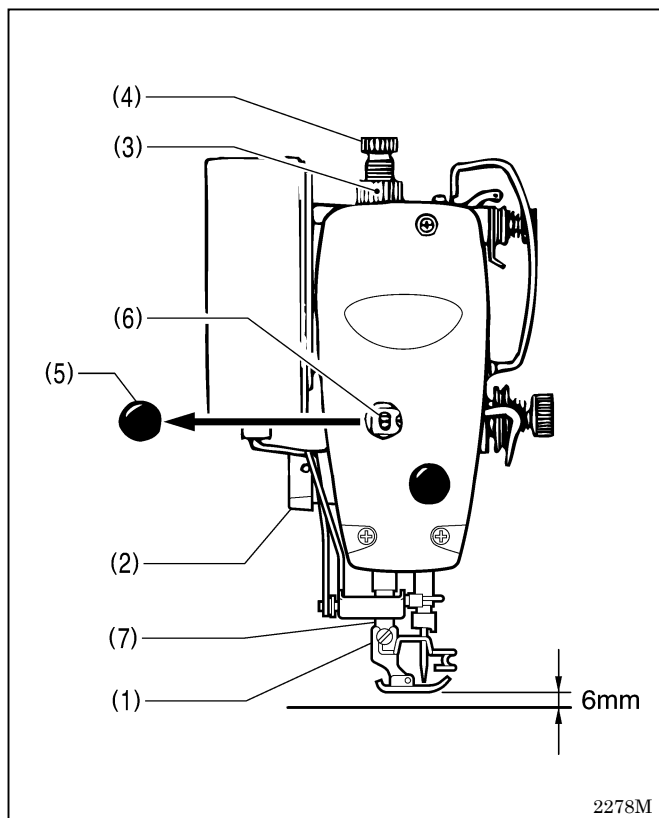
5-3. Adjusting arm thread guide R



The standard position of arm thread guide R (1) is the position where the screw (2) is in the center of the adjustable range for arm thread guide R (1).

- * To adjust the position, loosen the screw (2) and then move arm thread guide R (1).
- When sewing thick material, move arm thread guide R (1) to the left. (The thread take-up amount will become greater.)
- When sewing thin material, move arm thread guide R (1) to the right. (The thread take-up amount will become less.)

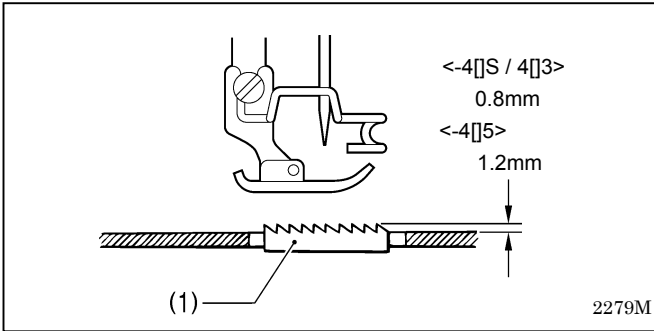
5-4. Adjusting the presser foot height



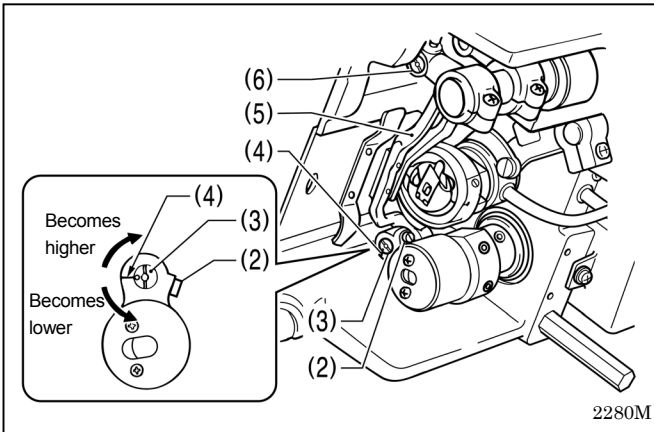
The standard height of the presser foot (1) is 6 mm when the presser foot (1) is raised by means of the lifting lever (2).

1. Loosen the nut (3) of the adjustment screw (4), and then turn the adjustment screw (4) so that there is no pressure applied to the presser foot.
2. Raise the lifting lever (2). The presser foot (1) will also rise.
3. Remove the oil cap (5).
4. Loosen the bolt (6) and then move the presser bar (7) up or down until the presser foot (1) is at the standard height of 6 mm.
5. Tighten the bolt (6).
6. Replace the oil cap (5).
7. Adjust the presser foot pressure using the adjustment screw (4), and then tighten the nut (3).

5-5. Adjusting of the feed dog height

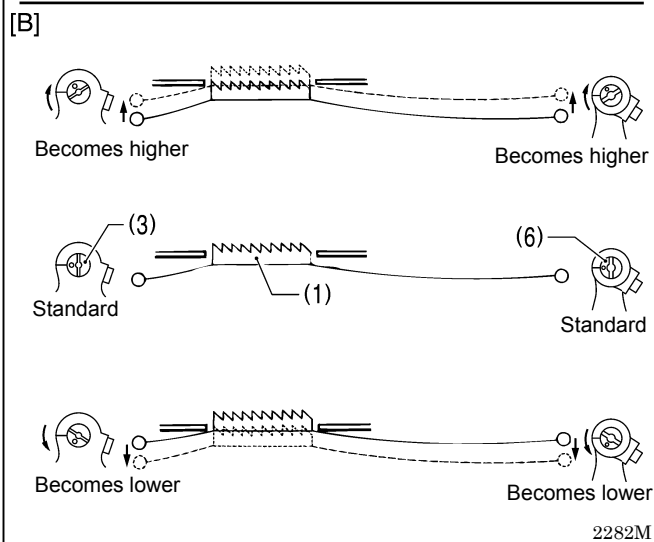
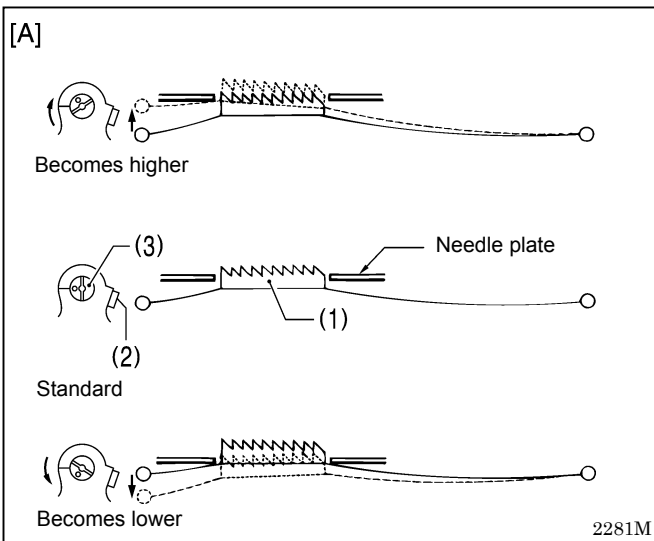


The standard height of the feed dog (1) when it is at its maximum height above the top of the needle plate is 0.8 mm for -4[S / 4[3 specifications, and 1.2 mm for -4[5 specifications.

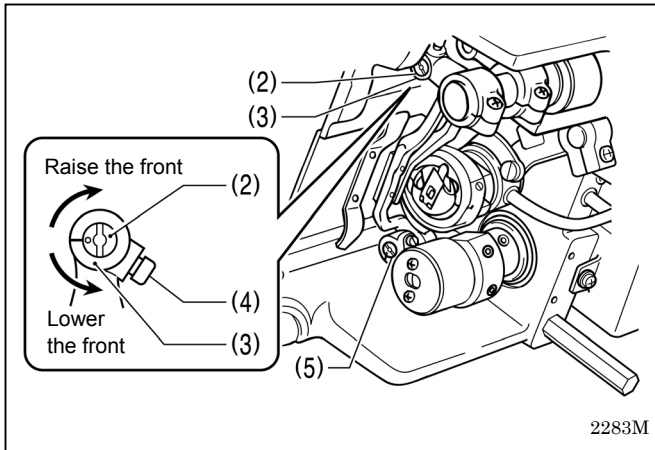


1. Turn the pulley until the feed dog (1) rises to the highest position.
2. Tilt back the machine head.
3. Loosen screw (2).
4. Turn the feed lifting rock bracket stud (3) within a range of 90° from the reference line (4) to adjust the vertical height of the feed bar (5). (Fig.[A])
5. Tighten the screw (2).

* If you are worried about the angle of the feed dog (1), turn the shaft (6) while carrying out the above adjustment. (Figure (B))
(Refer to "5-6. Adjusting the feed dog angle" on the next page for details of this operation.)



5-6. Adjusting the feed dog angle



The standard angle for the feed dog (1) when it is at its highest position above the needle plate is when the "O" mark (or V groove) on the shaft (2) is aligned with the feed rocker bracket arm (3) and the feed dog (1) is parallel to the needle plate.

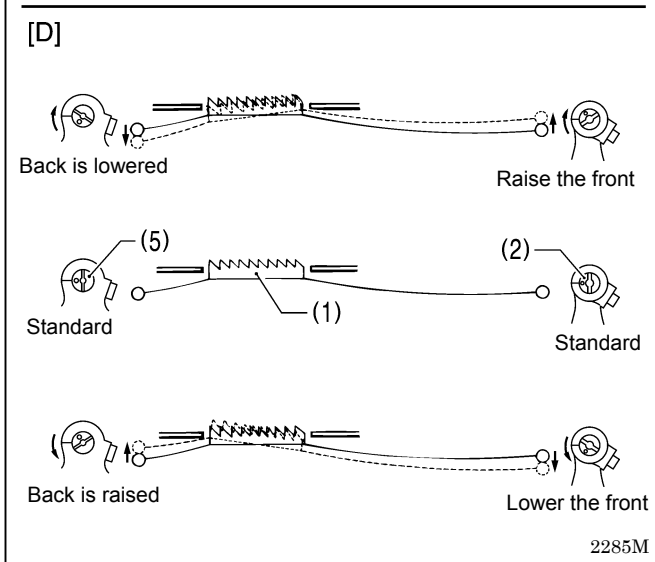
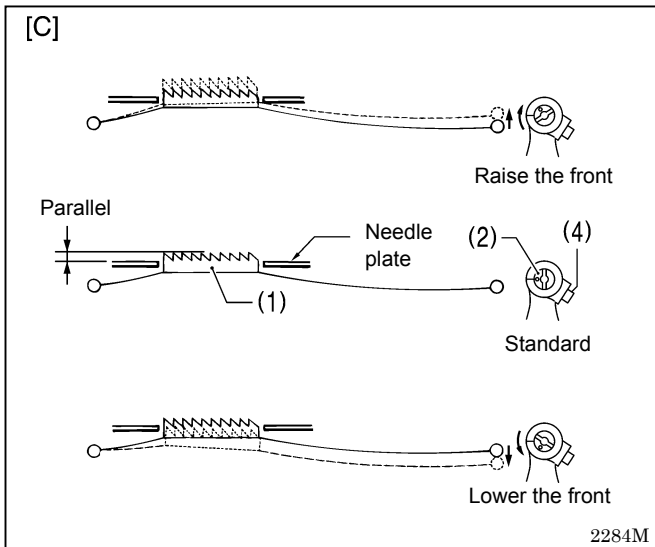
1. Turn the machine pulley to move the feed dog (1) to its highest position above the needle plate.
2. Tilt back the machine head.
3. Loosen the two set screws (4).
4. Turn the shaft (2) in the direction of the arrow within a range of 90° with respect to the standard position. (Fig. [C])

- In order to prevent puckering, lower the front of the feed dog (1).
- In order to prevent the material from slipping, raise the front of the feed dog (1).

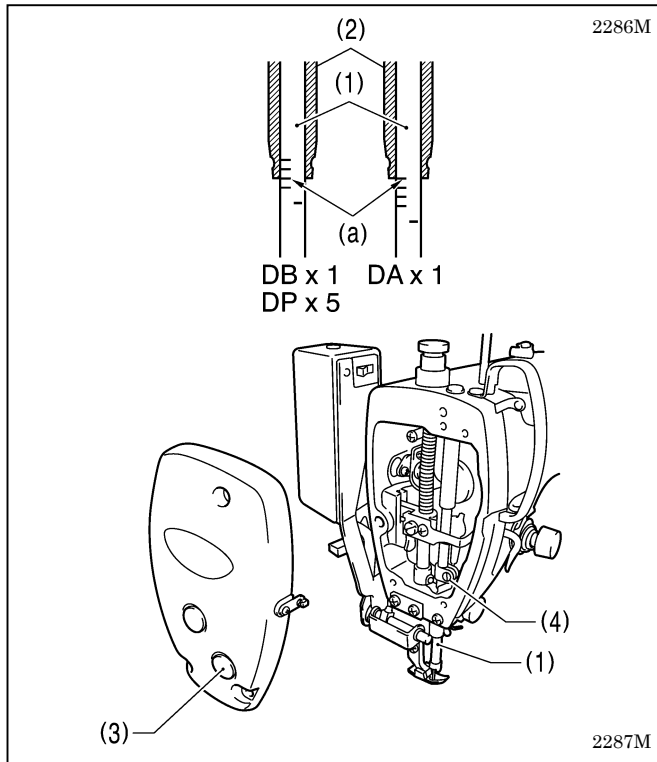
5. Securely tighten the set screws (4).

* If you would like to tilt the feed dog (1) further, turn the feed lifting rock bracket stud (5) while carrying out the above adjustment. (Figure [D]) (Refer to "5-5. Adjusting the feed dog height" on the previous page for details of this operation.)

* The height of the feed dog (1) will change after the angle has been adjusted, so it will be necessary to re-adjust the height of the feed dog (1).



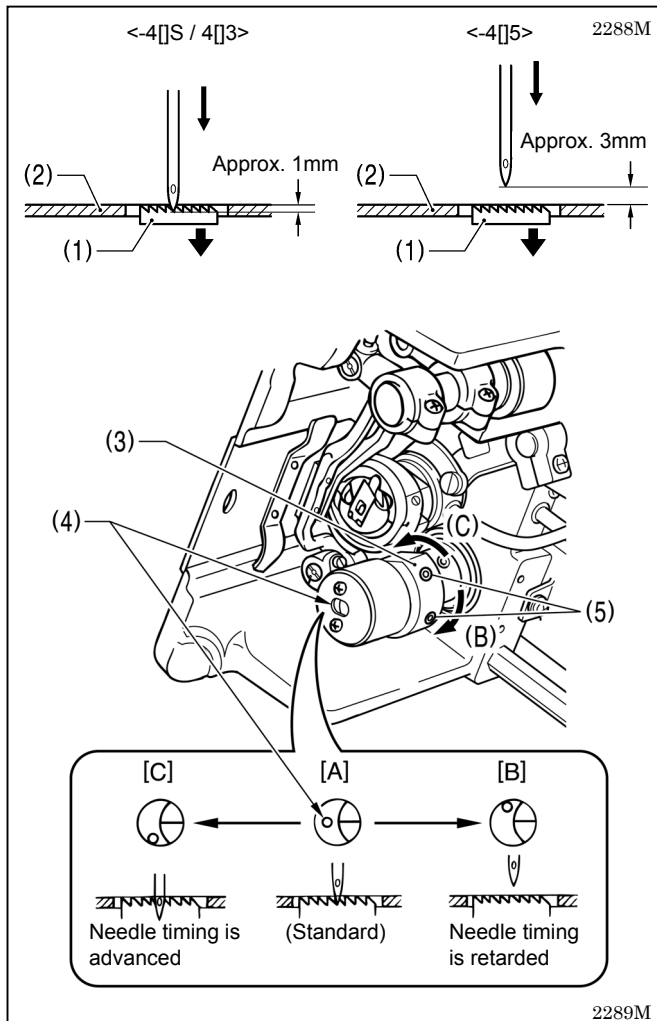
5-7. Adjusting the needle bar height



Reference line (a), which is the second line from the bottom of the needle bar (1) (fourth line from the bottom when using a DA x 1 needle) should be aligned with the lower edge of the needle bar bush D (2) as shown in the illustration when the needle bar (1) is at its lowest position.

1. Turn the machine pulley to set the needle bar (1) to its lowest position.
2. Remove the oil cap (3).
3. Loosen the screw (4) and then move the needle bar (1) up or down to adjust its position.
4. Securely tighten the screw (4).
5. Replace the oil cap (3).

5-8. Adjusting the needle and feed mechanism timing



The standard position for point of the needle is as described below when the feed dog (1) is lowered from its highest position until it is aligned with the top of the needle plate (2). (At this time, the "O" mark (4) on the vertical cam (3) should be aligned with the "-" mark on the lower shaft. Refer to [A] in the illustration.)

<-4[S] / 4[3]>

The top of the feed dog (1) and the top of the needle plate (2) should be aligned, and the point of the needle should be approximately 1 mm below the needle plate (2).

<-4[5]>

The top of the feed dog (1) and the top of the needle plate (2) should be aligned, and there should be a clearance of approximately 3 mm between the point of the needle and the needle plate (2).

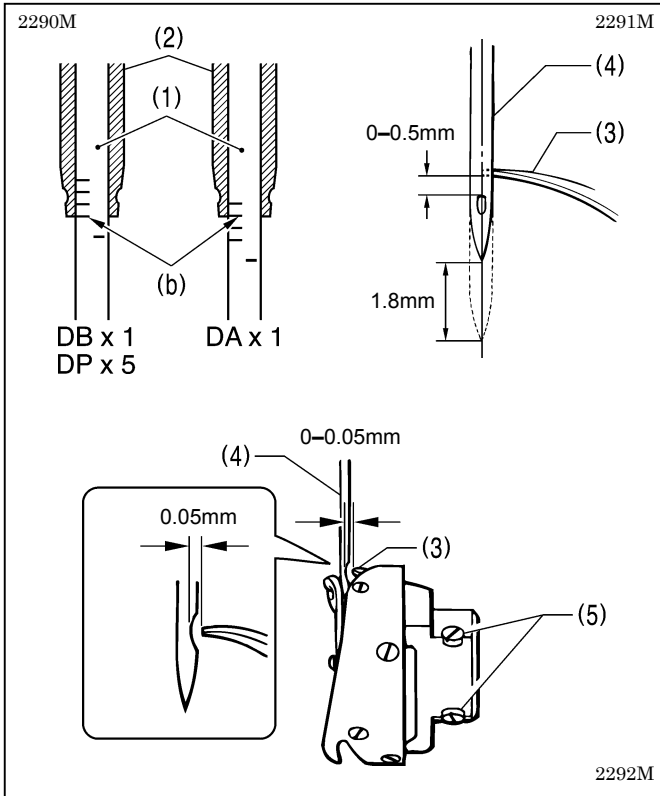
1. Tilt back the machine head.
2. Loosen the two set screws (5), and then turn the vertical cam (3) slightly to adjust the timing.

- If setting the timing to the standard timing, turn the vertical cam (3) until the "O" mark (4) is aligned with the "-" mark on the lower shaft ([A] in the illustration).
- To prevent material slippage from occurring, retard the needle timing. (Turn the vertical cam (3) in the direction of (B). Refer to [B] in the illustration.)
- To improve thread tightening, advance the direction of (C). Refer to [C] in the illustration.)

NOTE: Do not turn the vertical cam (3) too far in the direction of (C), otherwise it could cause the needle to break.

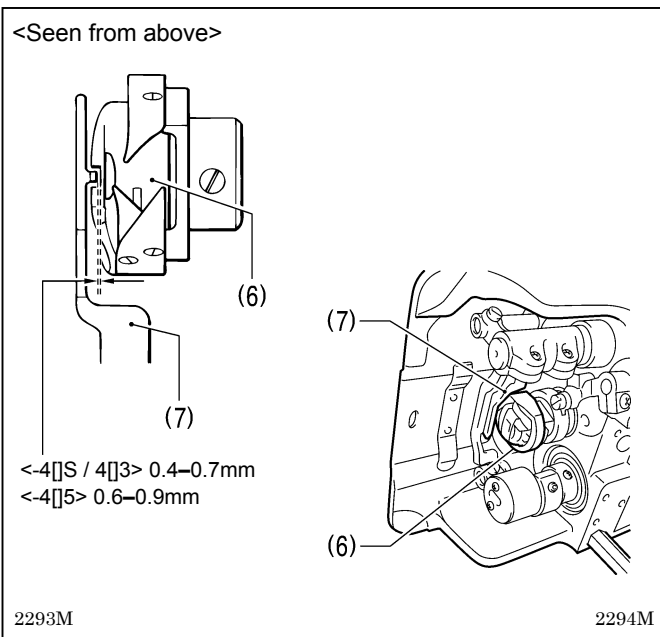
3. After adjustment is completed, securely tighten the two screws (5).

5-9. Adjusting the needle and rotary hook timing



The tip of the rotary hook (3) should be aligned with the center of the needle (4) when the needle bar (1) moves up from its lowest position to the position where reference line (b), which is the line at the bottom of the needle bar (1) (third line from the bottom when using a DA x 1 needle), is aligned with the lower edge of the needle bar bush D (2) as shown in the illustration.

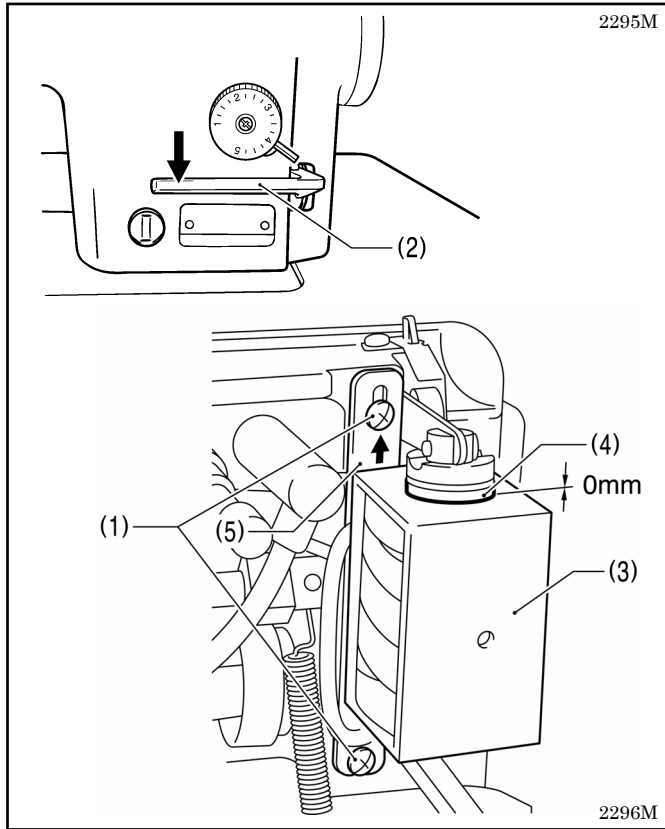
1. Turn the machine pulley to raise the needle bar (1) from its lowest position until reference line (b) is aligned with the lower edge of the needle bar bush D (2) as shown in the illustration.
(The needle should rise by 1.8 mm [2.2 mm for -□□ 5 specifications] and the distance from the needle hole to the tip of the rotary hook should be 0–0.5 mm.)
2. Loosen the set screws (5), and then align the tip of the rotary hook (3) with the center of the needle (4).
The distance between the tip of the rotary hook (3) and the needle (4) should be approximately 0–0.05 mm.
3. Securely tighten the set screws (5).



<Checking the clearance between the rotary hook and bobbin case holder position bracket>

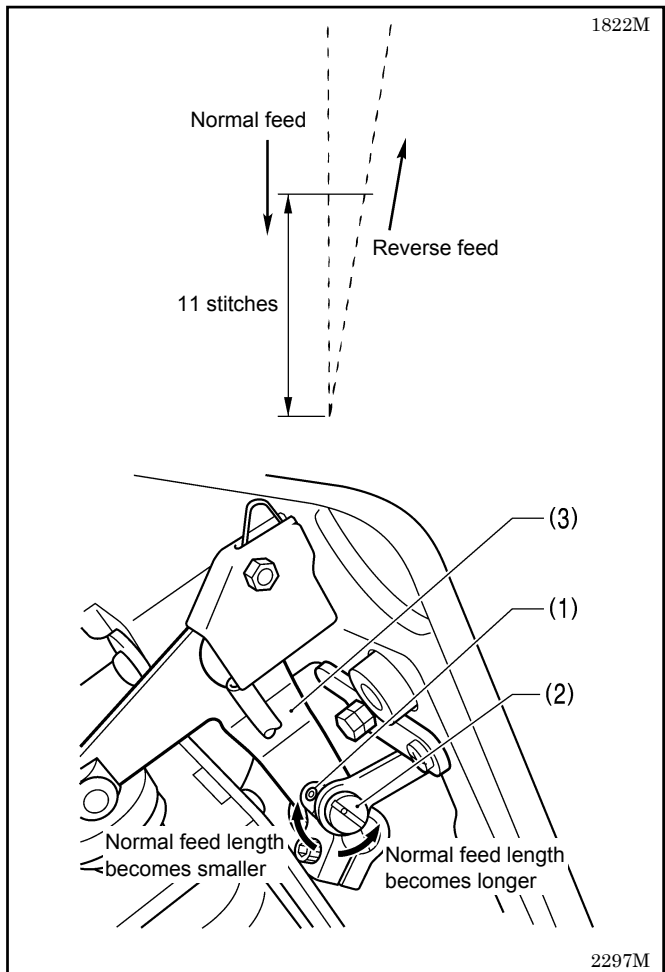
Check that the clearance between the rotary hook (6) and the bobbin case holder position bracket (7) is enough to allow the thread being used to pass through smoothly.
The clearance should be 0.4–0.7 mm for -4□S / 4□3 models, and 0.6–0.9 mm for -4□5 models.

5-10. Quick reverse mechanism



1. Turn the stitch length dial to the maximum setting.
 2. Tilt back the machine head.
 3. Loosen the two screws (1).
 4. With the reverse lever (2) fully lowered, move the solenoid base (5) so that there is no gap between the quick reverse solenoid (3) and the rubber stopper (4), and then tighten the screws (1).
- * If the gap mentioned above is large, the operation of the quick reverse solenoid (3) will become sluggish.

5-11. Matching stitch lengths for normal feed and reverse feed



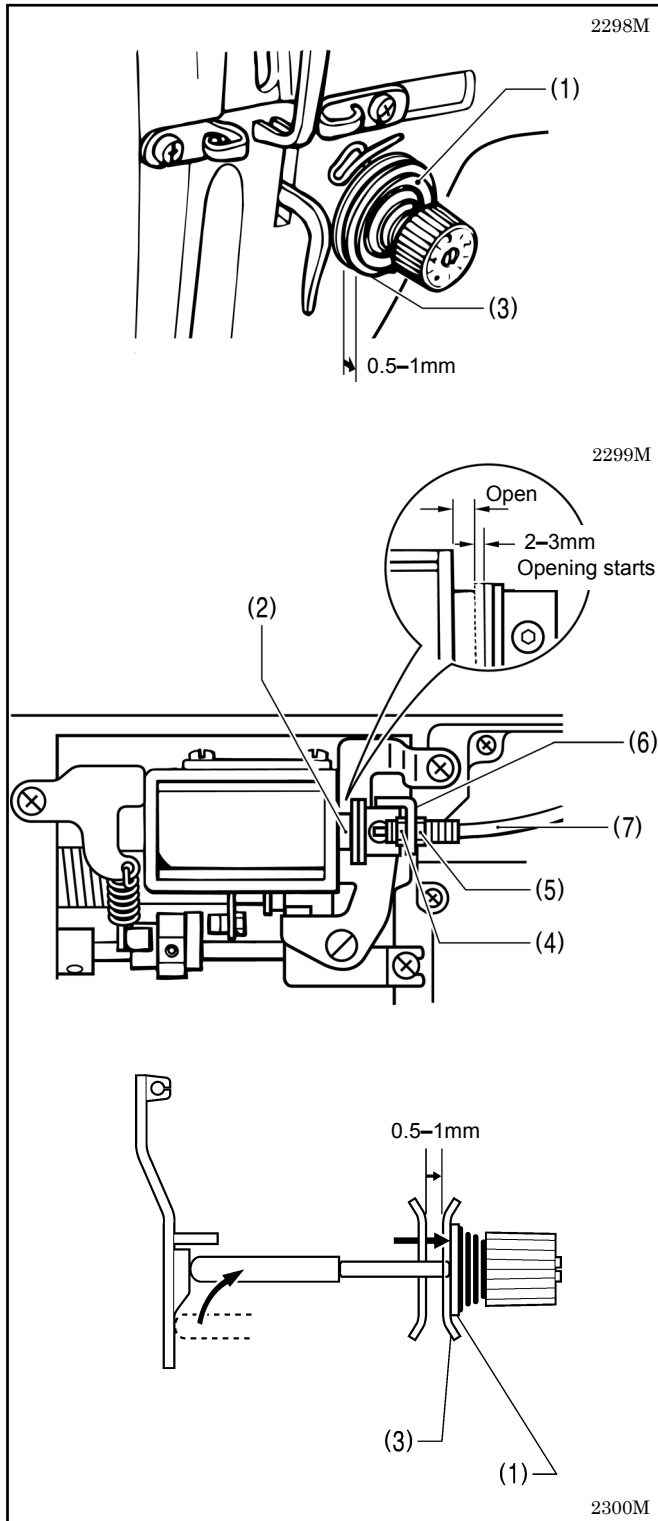
The following operation matches the stitch lengths for normal feed and reverse feed.

1. Turn the stitch length dial to the "3" setting.
2. At a low sewing speed (220 rpm), sew using normal feed and using reverse feed (11 stitches in each direction).
3. If adjustment is required, carry out the following.
 - 1) Tilt back the machine head.
 - 2) Loosen the screw (1).
 - 3) Adjust by turning the eccentric pin (2) within a range of 90°. (If the eccentric pin (2) is turned more than 90°, the adjustment will be reversed.)
 - If the stitch length is larger for normal feed than for reverse feed
Turn the eccentric pin (2) clockwise.
 - If the stitch length is smaller for normal feed than for reverse feed
Turn the eccentric pin (2) counterclockwise.
4. After making the adjustment, set the eccentric pin (2) gently against the solenoid lever (3) and securely tighten the screw (1).

NOTE:

After tightening the eccentric pin (2), operate the quick reverse lever and check that the solenoid lever (3) operates smoothly. If the solenoid lever (3) does not operate smoothly, retighten the eccentric pin (2) while referring to step 4 above.

5-12. Adjusting the tension release wire



If the upper thread trailing length is too short after thread trimming, or if the thread tension disc presser (1) remain open, make the following adjustment.

* Lower the presser foot when making these adjustment.

**A. If the upper thread trailing length after thread trimming is too short
(The tension release wire does not operate enough during thread trimming)**

- When the solenoid plunger (2) is pushed by 2–3 mm, the tension disc presser (1) starts opening, and when it is pushed all the way, the tension disc presser (1) should always be open.

(The tension disc (3) will open by 0.5–1 mm at this time.)

- When the solenoid plunger (2) is released, the tension disc presser (1) [tension disc (3)] closes.

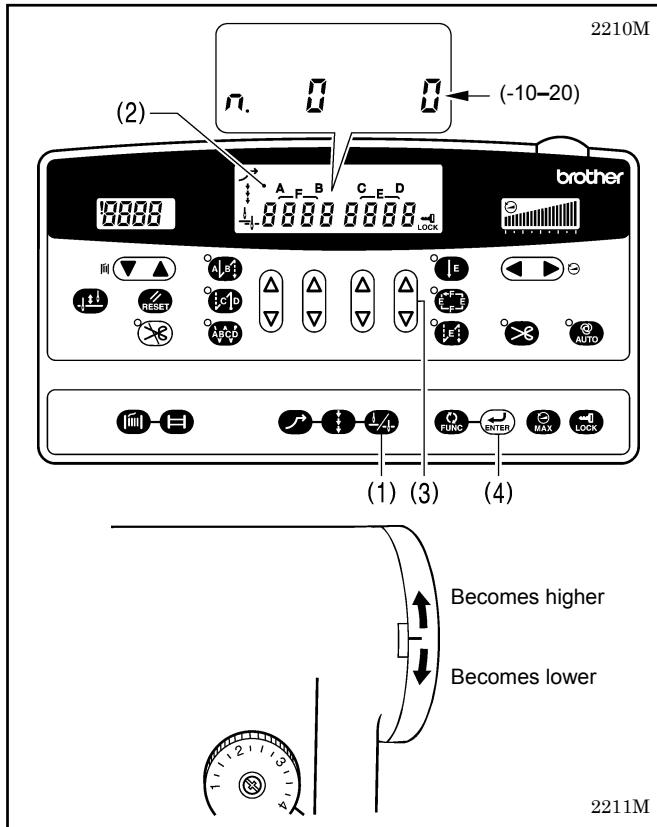
- Loosen the nuts (4) and (5), and then push the solenoid plunger (2) by 2–3 mm.
- Tighten the left-side nut (4) until the tension disc presser (1) starts to open.
- Check that the tension disc presser (1) opens fully when the solenoid plunger (2) is pushed all the way, and that the tension disc presser (1) closes when the solenoid plunger (2) is released.
- Tighten the right-side nut (5).

B. If the tension disc presser stay open

- Check that the solenoid lever (6) has returned fully.
- Check that the tension release wire (7) is not stretched.
- Adjust using nuts (4) and (5) as described above.

* If adjustment is not possible, adjust the tension of the tension release wire (7).

5-13. Adjusting the needle up stop position

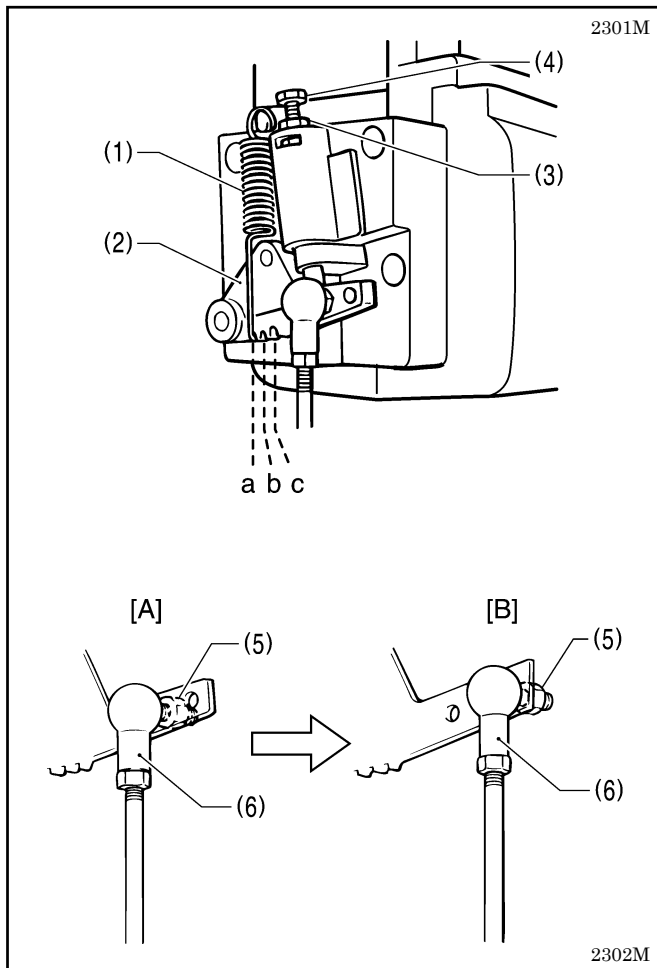


1. While pressing the needle up/down key (1), turn on the power switch.
2. "n.0 xx" will appear in the main display (2). ("xx" is the setting value for the needle up stop position, and "0" is the default setting.)
3. Press the rightmost Δ or ∇ key (3) to change the setting value for the needle up stop position.
 - If you press the Δ key, the setting value will increase up to 20 and the needle up stop position will become lower.
 - If you press the ∇ key, the setting value will decrease down to -10 and the needle up stop position will become higher.
4. Press the ENTER key (4) for two seconds or more. A long buzzer will sound and the main display (2) will change to stitch number display mode. (This completes the needle up stop position setting.)

* A setting value of "10" corresponds to an angle of rotation of approximately 10° for the upper shaft.

2138M 2139M

5-14. Adjusting the treadle



<Forward depression sensitivity adjustment>

If the machine starts running at low speed when your foot is simply resting on the treadle, or if the treadle pressure is felt to be too weak, adjust the position (a to c) at which the treadle spring (1) is hooked onto the treadle lever (2).

* a is the heaviest, and the setting becomes progressively lighter at b and c.

<Backward depression sensitivity adjustment>

1. Loosen the nut (3) and turn the bolt (4).
 - * When the bolt (4) is tightened, the treadle operation becomes heavier, and when it is loosened, the operation becomes lighter.
2. Tighten the nut (3).

<Adjusting the treadle stroke>

Remove the nut (5), and then move the connecting rod joint (6) from the position in figure A to the position in figure B. The treadle stroke will then be increased by approximately 27%.

At this time, the treadle forward and backward depression sensitivity will change, so readjust if necessary.

5-15. Adjusting the rotary hook lubrication amount (-40[] / 43[])

CAUTION

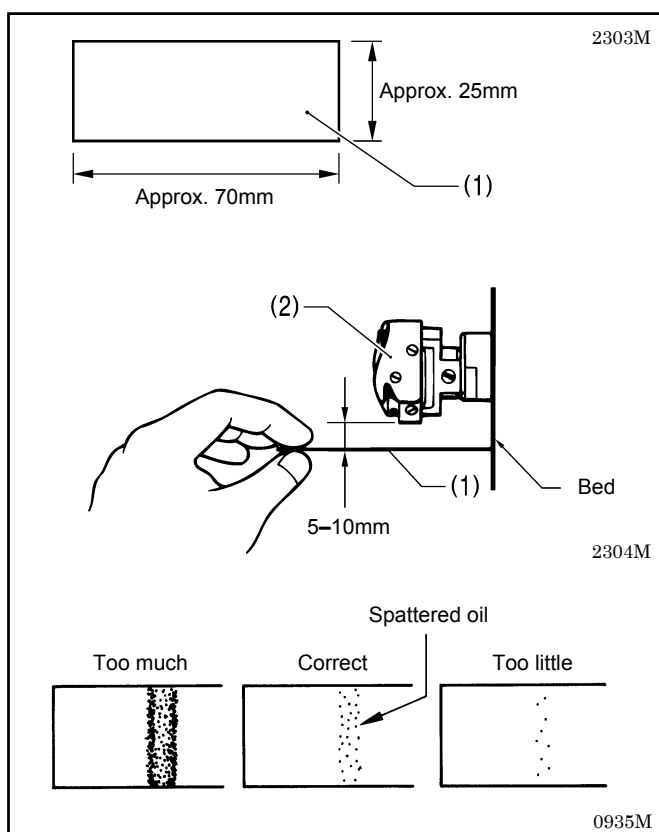


Be careful not to touch your fingers or the lubrication amount check sheet against moving parts such as the rotary hook or the feed mechanism when checking the amount of oil supplied to the rotary hook, otherwise injury may result.

Use the following procedure to check the amount of oil being supplied to the rotary hook when replacing the rotary hook or when changing the sewing speed.

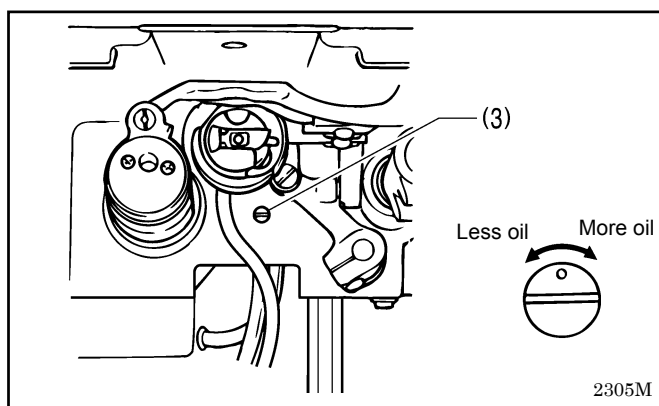
NOTE:

- If the sewing machine is sub-class -45[], it is a fully dry-type machine and so adjustment of the rotary hook lubrication amount is not necessary.
- If the normal rotary hook has been replaced with a rotary hook RP (lubrication-free rotary hook), refer to page 35.



<Checking the lubrication amount>

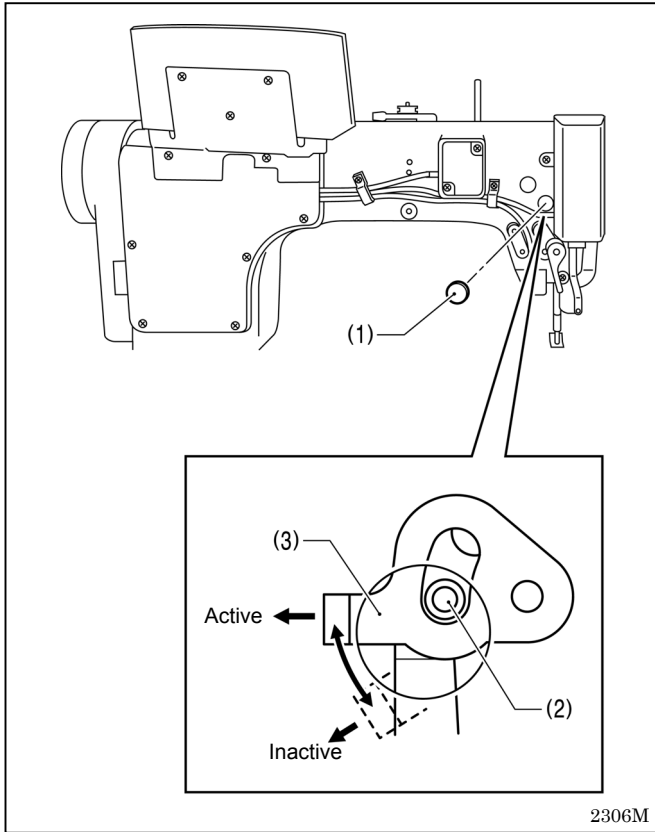
1. Remove the thread from all points from the thread take-up to the needle.
2. Use the lifting lever to lift the presser foot.
3. Run the machine at the normal sewing speed for approximately 1 minute without sewing any material (following the same start/stop pattern as when actually sewing).
4. Place the lubrication amount check sheet (1) underneath the rotary hook (2) and hold it there. Then run the sewing machine at the normal sewing speed for 8 seconds. (Any type of paper can be used as the lubrication amount check sheet (1).)
5. Check the amount of oil which has spattered onto the sheet.



<Adjusting the lubrication amount>

1. Tilt back the machine head.
2. Turn the adjusting screw (3) to adjust the lubrication amount.
 - If the rotary hook adjusting screw (3) is turned clockwise, the lubrication amount becomes greater.
 - If the rotary hook adjusting screw (3) is turned counterclockwise, the lubrication amount becomes smaller.
3. Check the lubrication amount again according to the procedure given in "Checking the lubrication amount" above.
 - * Turn the adjusting screw (3) and check the lubrication amount repeatedly until the lubrication amount is correct.
4. Check the lubrication amount again after the sewing machine has been used for approximately two hours.

5-16. Selecting tension release



- You can select whether tension release operation is active or not when the presser foot is raised. (The factory default setting is active.)
- When lifting the presser foot at places such as corners, the tension discs will be kept together when inactive is selected, and this can help to maintain uniform seams.

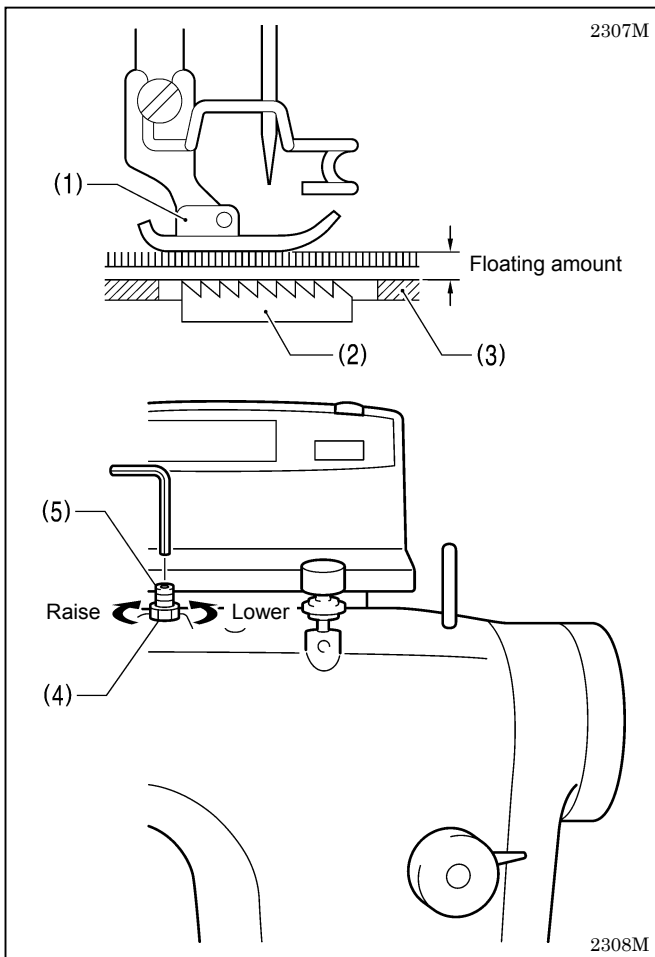
1. Remove the rubber cap (1).
2. Loosen the screw (2) by 90°.

NOTE:

If the screw (2) is loosened too far, it may fall out. Be careful not to loosen it too far.

3. Move the tension release selection plate (3) to select whether tension release is active or inactive.
4. Tighten the screw (2).
5. Replace the rubber cap (1).

5-17. Adjusting the presser foot floating amount (minute lifting amount)



When sewing stretch materials and materials with long pile, you can make minute adjustments to the floating amount for the presser foot (1) in accordance with the material.

1. Turn the sewing machine pulley by hand to move the feed dog (2) below the needle plate (3).
2. Use the lifting lever to lower the presser foot (1).
3. Loosen the nut (4).
4. Use a hexagon wrench to turn the adjusting screw (5) to adjust the floating amount.






- To raise the presser foot (1) ...
Turn the adjusting screw (5) clockwise.
- To lower the presser foot (1) ...
Turn the adjusting screw (5) counterclockwise.

5. Tighten the nut (4).

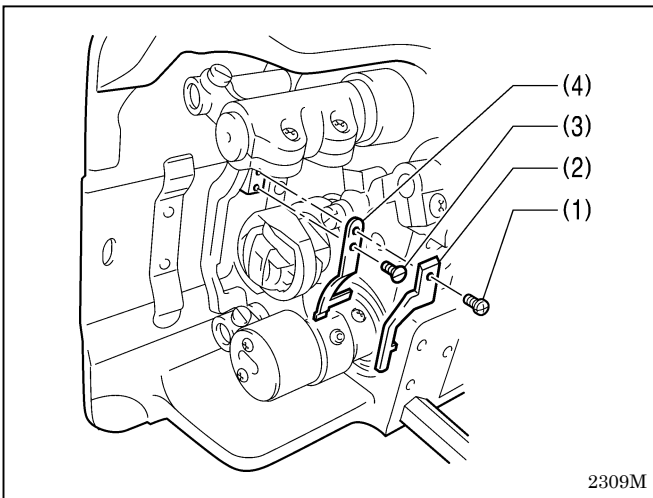
* After making the adjustment, sew a piece of material to check the floating amount.

6. REPLACING PARTS

CAUTION

-  Replacement of parts should only be carried out by a qualified technician.
-  Use only the proper replacement parts as specified by Brother.
-  Turn off the power switch and disconnect the power cord before replacing any parts. The machine may operate if the treadle is depressed by mistake, which could result in injury.
-  Use both hands to hold the machine head when tilting it back or returning it to its original position. If only one hand is used, the weight of the machine head may cause your hand to slip, and your hand may get caught.
-  Be sure to wear protective goggles and gloves when handling the lubricating oil and grease, so that they do not get into your eyes or onto your skin, otherwise inflammation can result. Furthermore, do not drink the oil or eat the grease under any circumstances, as they can cause vomiting and diarrhea. Keep the oil out of the reach of children.

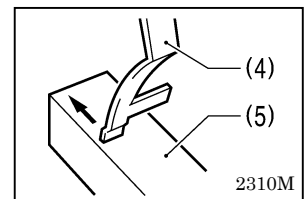
6-1. Fixed knife



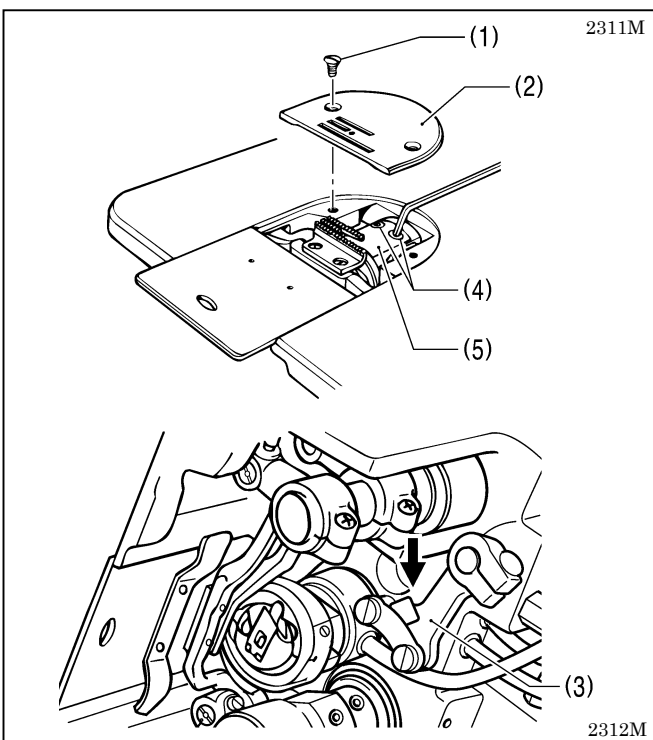
1. Tilt back the machine head.
 2. Remove the screw (1), and then remove the rotary hook stopper (2).
 3. Remove the screw (3), and then remove the fixed knife (4).
- * Carry out the above steps in reverse to install the fixed knife (4).

Sharpening the fixed knife

If the cutting performance deteriorates, sharpen the fixed knife (4) on a whetstone (5) as shown in the illustration.



6-2. Movable knife



1. Remove the needle.
 2. Lift up the presser foot using the lifting lever.
 3. Remove the two screws (1), and then remove the needle plate (2).
 4. Turn the machine pulley to raise the needle bar to its highest position.
 5. Tilt back the machine head.
 6. Push the thread trimmer connecting rod (3) in the direction of the arrow until the two screws (4) can be seen.
 7. Remove the two screws (4), and then remove the movable knife (5).
- * Carry out the above steps in reverse to install the movable knife (5).

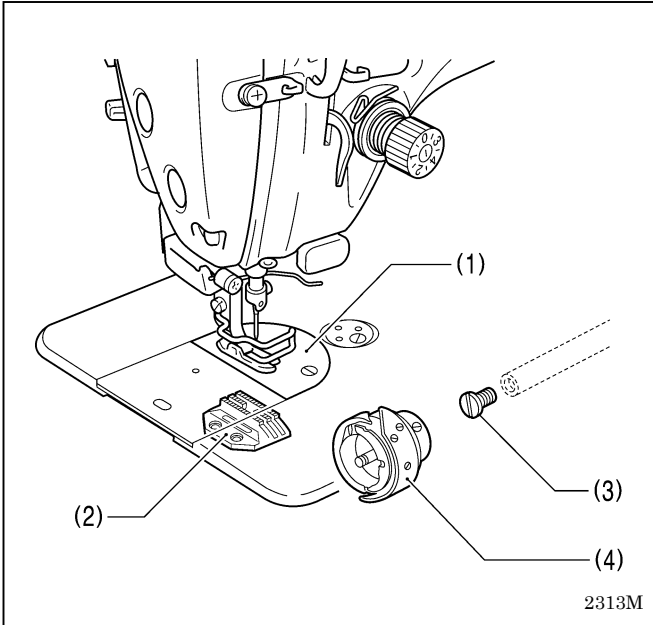
6-3. Rotary hook RP

If replacing the standard rotary hook with a rotary hook RP (lubrication-free rotary hook) on sub-class -40[] or -43[] machines, use the following parts.

S52936-001 (ROTARY HOOK, W/BOX)

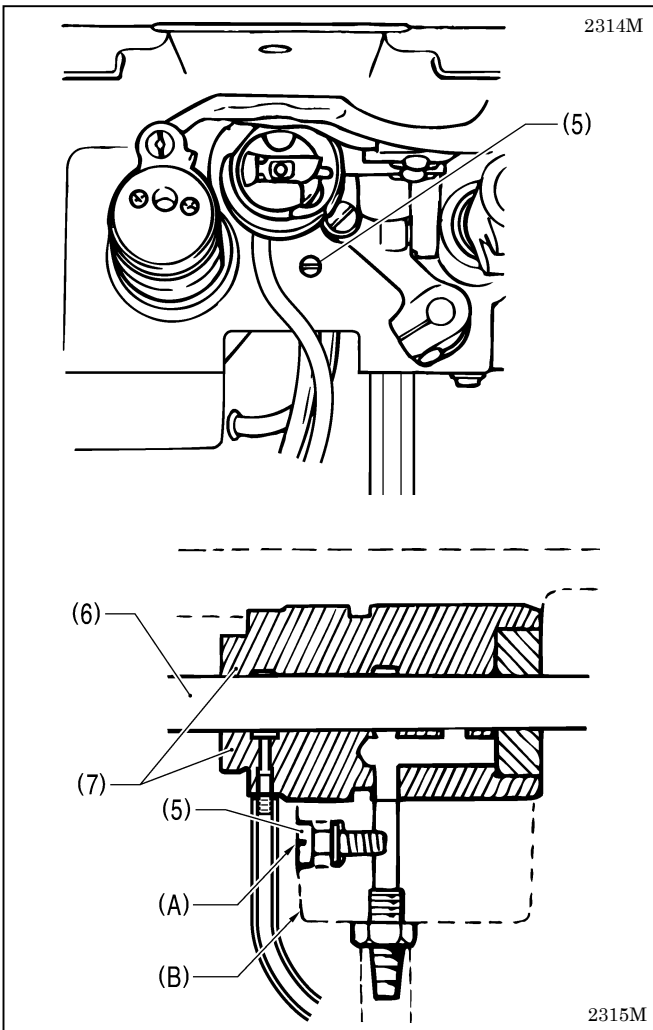
S35786-001 (SCREW, CAP W/HOLE M5-0.8)

Note: When using the rotary hook RP (lubrication-free rotary hook), set the sewing speed to 4,000 rpm or less.



<Replacing>

1. Remove the needle and the presser foot.
2. Remove the needle plate (1) and the feed dog (2).
3. Remove the rotary hook.
4. Replace the screw (3).
Tighten the screw (3) securely.
5. Install the rotary hook RP(4) and the needle.
After installing the rotary hook RP, adjust the needle and rotary hook timing. (Refer to page 28.)
6. Install the feed dog (2).
7. Install the needle plate (1).
Adjust the installation position of the feed dog (2) so that it is in the middle of the needle plate (1) groove.
8. Install the presser foot.



<Adjusting the adjusting screw>

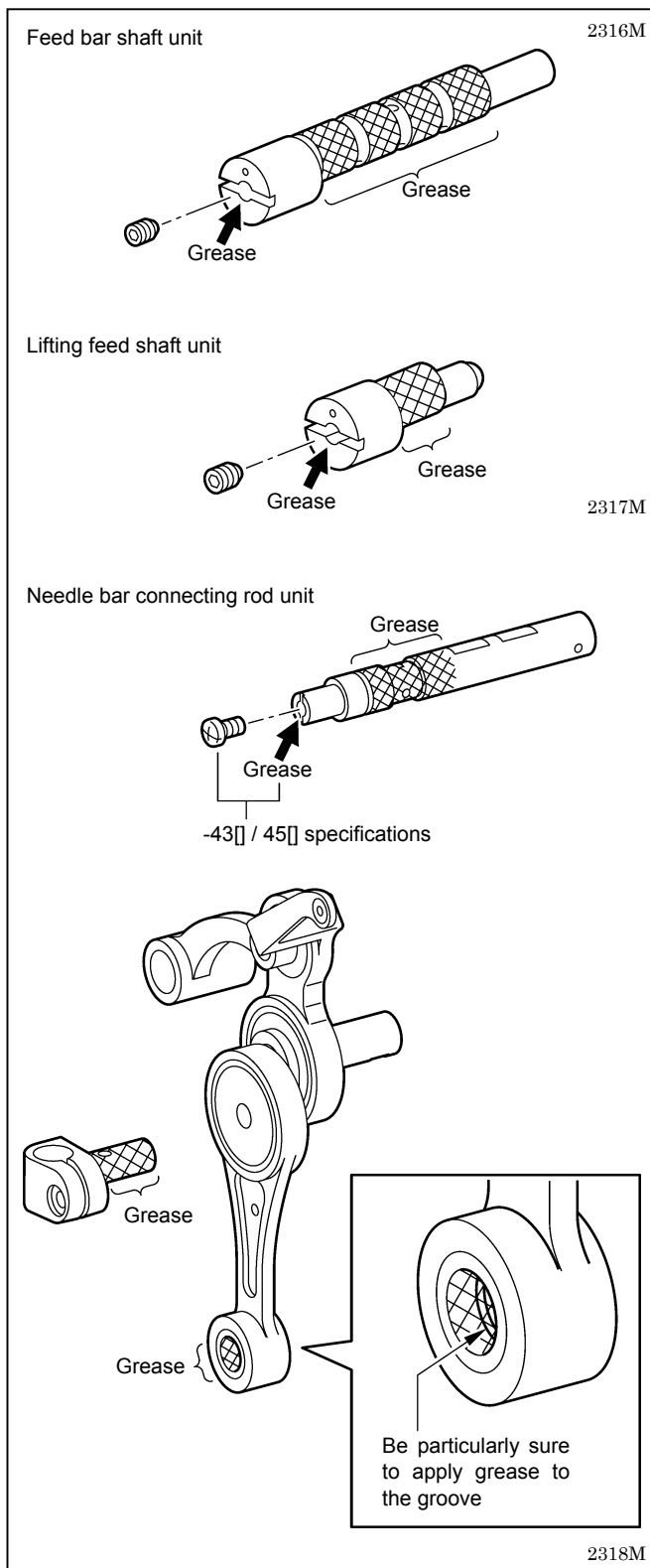
Tighten the adjusting screw (5) as far as it will go, and then turn it back the other way about three full turns. (At this time, the head (A) of the adjusting screw (5) should be almost flush with the edge (B) of the bed.)


NOTE: If the sewing machine is used while the adjusting screw (5) is in the fully-tightened position, it will cause oil to leak out through the gap between the rotary hook shaft (6) and the bracket (7).

6-4. Feed bar shaft, Lifting feed shaft, Needle bar connecting rod unit

When changing over these parts, apply grease as described below and then install the parts to the sewing machine.

* Use Brother-specified grease (SA2355-001).

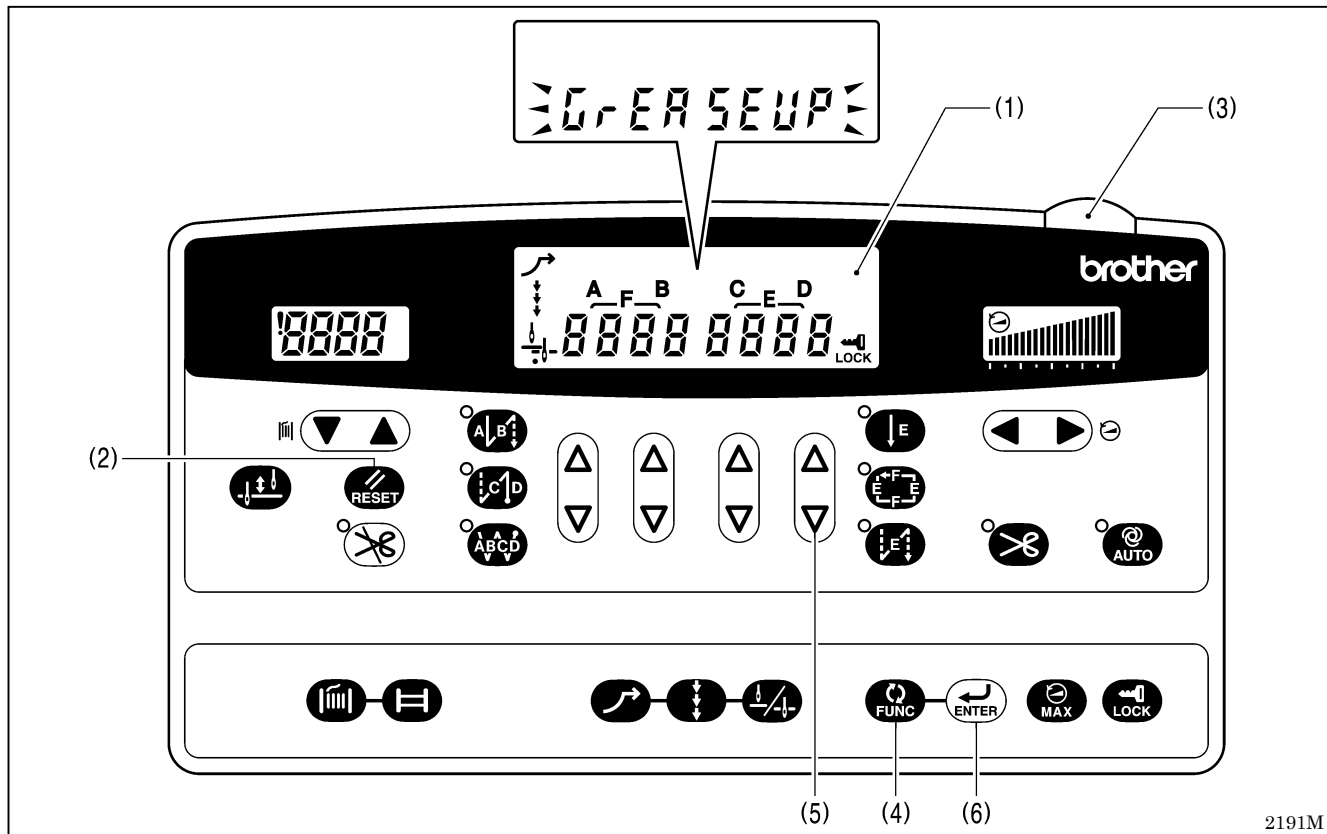


1. Apply grease to the holes of each part as shown in the arrow until a small amount of grease overflows.
2. Tighten the screws to force the grease in.
3. Wipe away any excess grease from around the screws.
4. Apply grease to the meshing areas ( areas) of each part.
5. Install each part to the sewing machine.

2319M

7. APPLYING GREASE (WHEN “GREASEUP” APPEARS)

If “GREASEUP” flashes on the main display (1) and a buzzer sounds when the power switch is turned on, it means that grease needs to be applied. (The sewing machine will not operate at this time, even if the treadle is depressed.) Apply grease as required, while referring to the following for details.



<To continue sewing without applying grease>

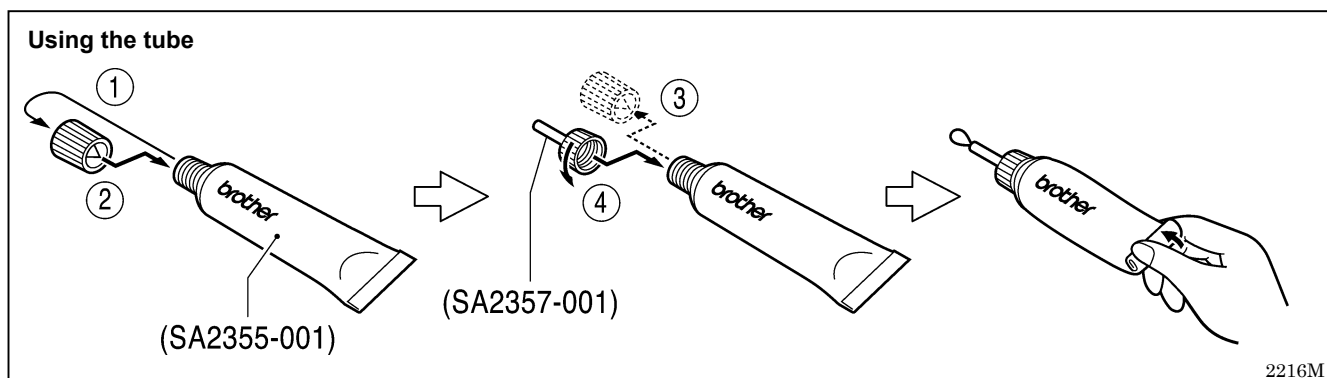
1. Press the RESET key (2).
2. The main display (1) will change to stitch number display mode, and sewing will be possible when the treadle is depressed. (The power indicator (3) will flash.)

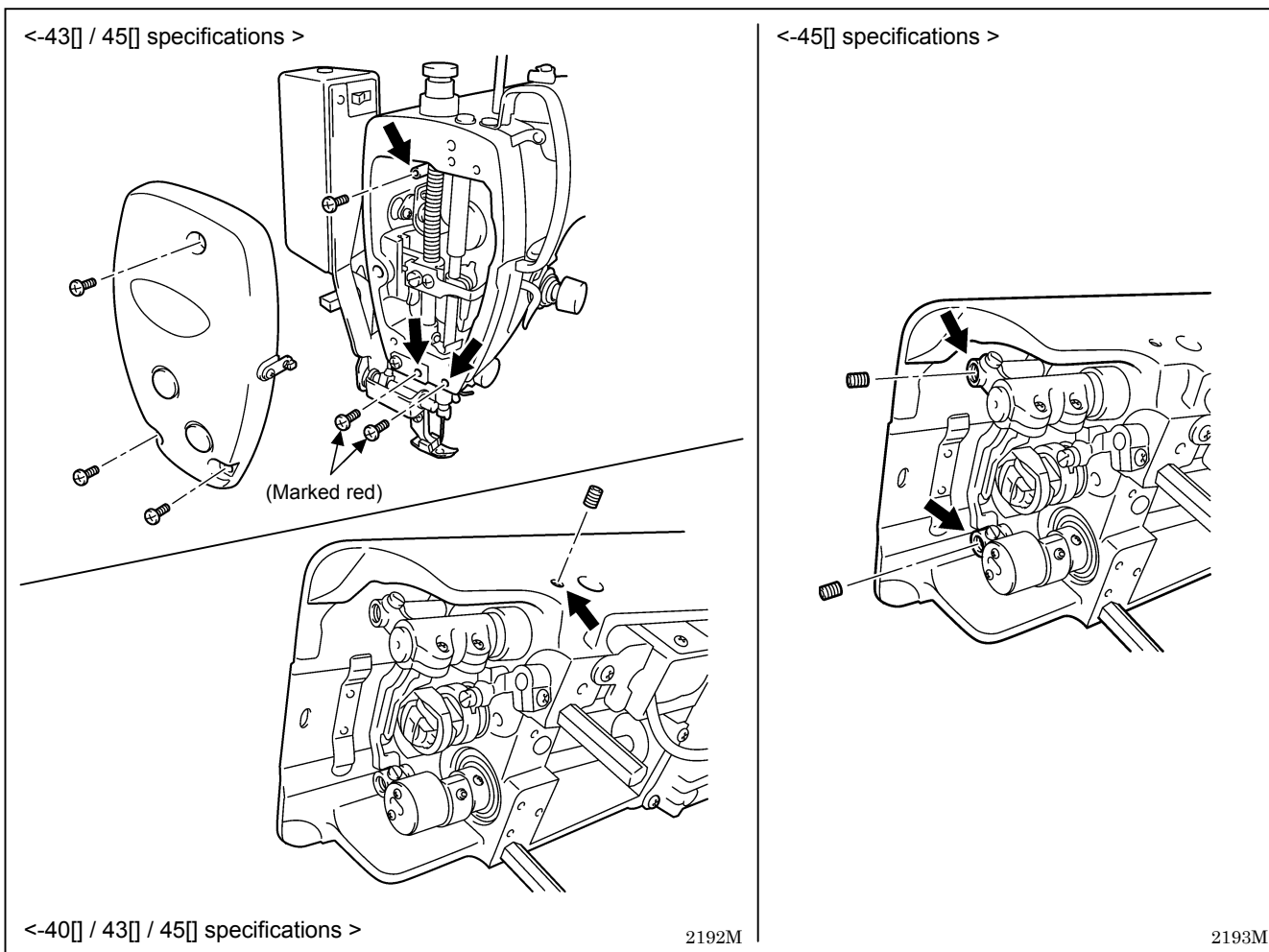
NOTE:

- If you do not apply grease when the “GREASEUP” notification appears, the notification will continue to appear and the power indicator (3) will flash each time the power is turned on until you reset the notification by carrying out the procedure on the following page.
- If you continue to use the sewing machine after the “GREASEUP” notification appears without applying grease (or without carrying out the reset procedure), “Err100” will appear after a certain period of time and the sewing machine will be forcibly prevented from operating for safety reasons. If this happens, apply grease and carry out the reset procedure.

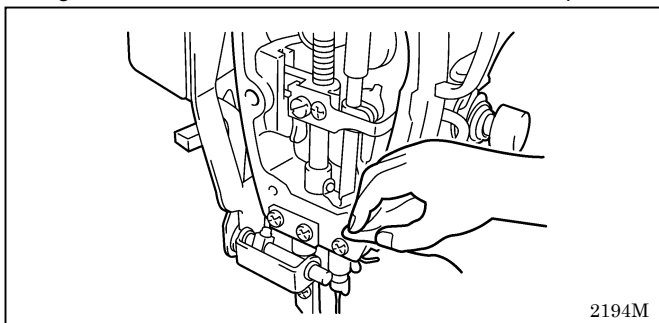
<Applying grease>

Use Brother-specified grease (SA2355-001).





1. Turn the power switch to "OFF".
2. Remove the screws and the set screws.
3. Apply grease to each of the holes until the grease overflows slightly.
4. Tighten the screws and the set screws in order to push the grease in.



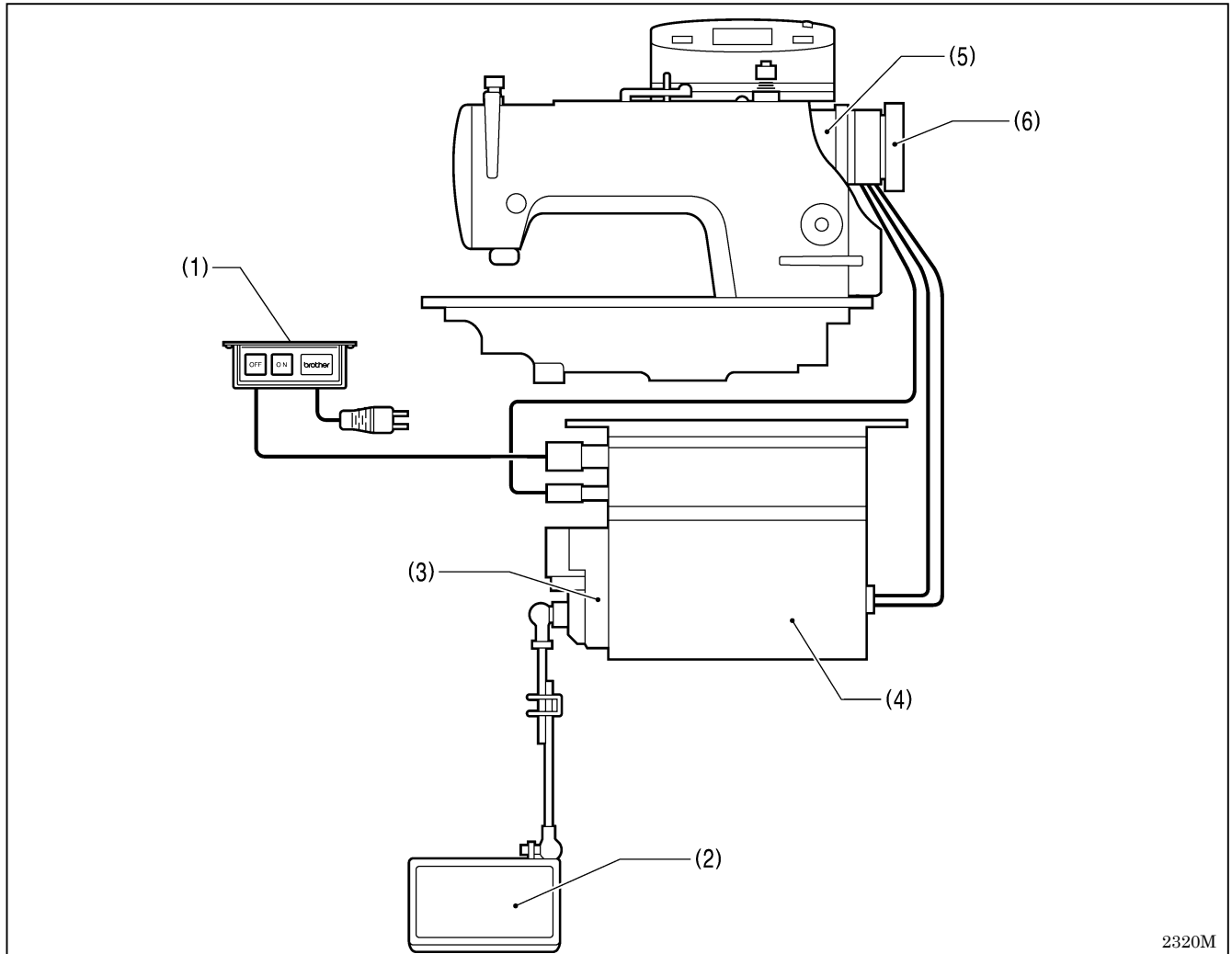
5. Turn the machine pulley by hand to move the needle bar up and down several times in order to disperse the grease.
6. Use a cloth to wipe away any excess grease from around the screws and set screws and from underneath needle bar bush D.
7. Carry out the reset procedure given below.

<Resetting the cumulative operating time>

After the grease has been applied, carry out the following procedure to reset the cumulative time between grease applications.

1. Turn the power switch to "ON". "GREASEUP" will flash in the main display (1) and the buzzer will sound.
2. Press the RESET key (2). The main display (1) will change to stitch number display mode.
3. Press the FUNC (Function) key (4). "n.134 xxx" will appear in green in the main display (1).
(xxx represents the time between grease applications.)
4. Press the rightmost ▽ key (5). The "xxx" will change to "0".
5. Press and hold the ENTER key (6) for two seconds or more.
The buzzer will make a long beep, and then the main display (1) will change to stitch number display mode. (This completes the reset procedure.)

8. CONTROL SYSTEM



2320M

Turn on the power switch (1).

A. When the treadle is depressed

1. When the treadle (2) is depressed, a voltage corresponding to the amount of treadle depression is transmitted by the treadle unit (3) to the control box (4).
2. The DD motor (5) that is directly linked to the sewing machine receives a voltage that corresponds to the treadle depression amount from the control box (4), causing the DD motor (5) to operate at the speed represented by the treadle depression amount, and this makes the sewing machine operate.

B. When the treadle is returned to the neutral position

1. When the treadle (2) is returned to the neutral position (when the operator's foot is removed from the treadle), a signal indicating that the treadle is at the neutral position is transmitted by the treadle unit (3) to the control box (4), and the electrical brake is then applied to slow the DD motor (5).
2. The encoder circuit board that is installed to the DD motor (5) sends a signal to the control box (4) so that the electrical brake is applied in order to stop the sewing machine at the stopping position (needle up or needle down) set by the pulley (6) that is attached to the DD motor (5).

C. When the treadle is depressed backward

1. When the treadle (2) is depressed backward, a signal indicating thread trimmer operation is transmitted by the treadle unit (3) to the control box (4), and the DD motor (5) slows down to the thread trimming speed (inching speed).
2. The encoder circuit board that is installed to the DD motor (5) sends a signal to the control box (4) so that the electrical brake is applied in order to stop the sewing machine at the needle up stopping position set by the pulley (6) that is attached to the DD motor (5). The thread trimming operation is carried out immediately before the sewing machine stops at the needle up stop position.

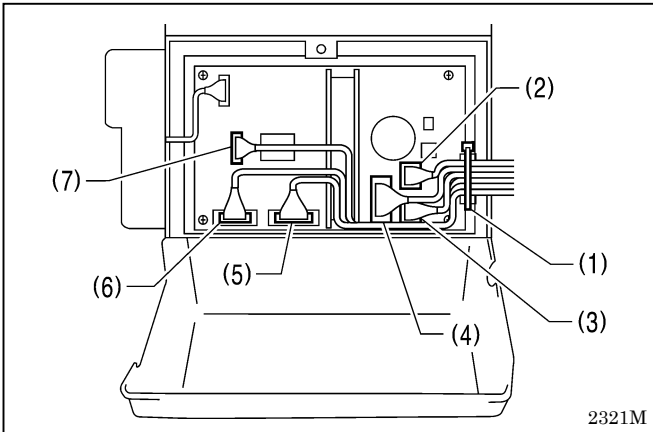
9. CONTROL BOX AND MOTOR

9-1. Removing and installing the control box

DANGER



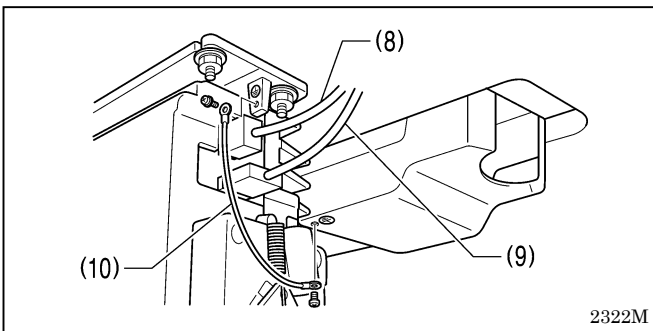
Wait at least 5 minutes after turning off the power switch and disconnecting the power cord from the wall outlet before opening the face plate of the control box. Touching areas where high voltages are present can result in severe injury.



<Removal>

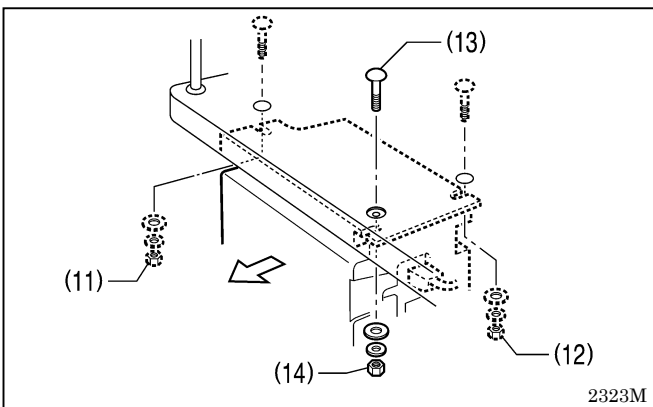
1. Remove the repeat cable tie (1), and then disconnect the connectors (2) to (7) from the sewing machine.

* Be careful not to break the pawls of connectors (5), (6) and (7).



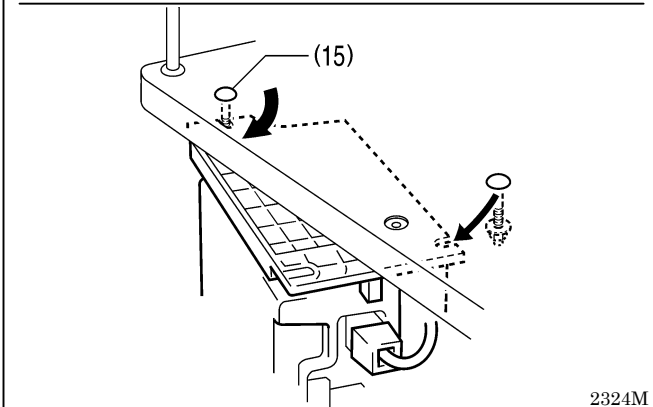
2. Disconnect the power supply connector (8) and the motor connector (9).

3. Disconnect the ground wire (10).



4. Loosen the nuts (11) and (12) (without removing them).

5. Remove the bolt (13) and nut (14).



6. Pivot the control box around the bolt (15) and pull it out to remove it from the table.

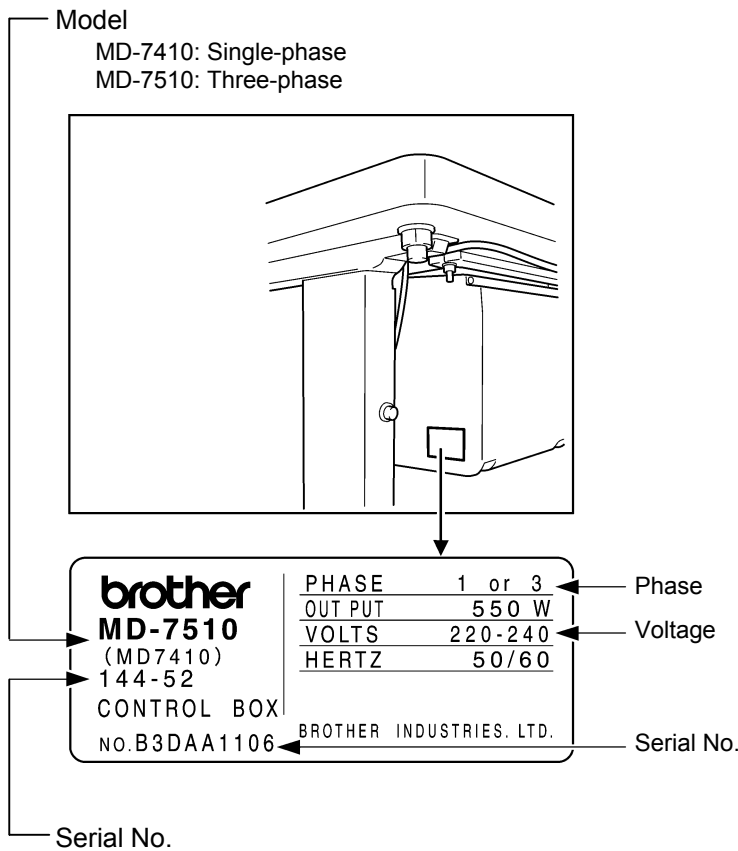
<Installation>

Install by following the removal procedure in reverse.

9-2. Control box and motor rating plate

<Control box>

- Check the phase, voltage and type for the control box.
- Some specifications are identical for both single- and three-phase. (appears on name plate)



2325M

144-52

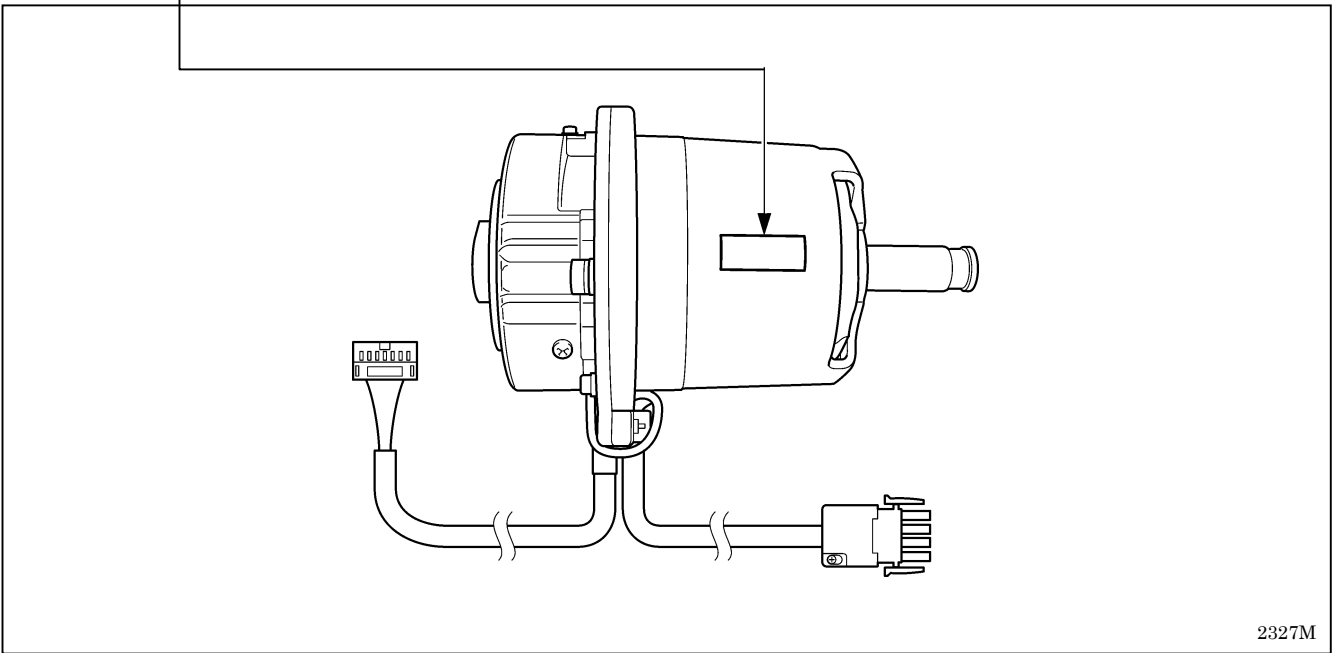
Destination	1	Japan
	2	Asia/Middle East
	3	USA/Mexico
	4	Canada
	5	Oceania (C-TICK)
	7	Turkey/ North Africa
	9	China
	L	Europe/Greece (CE)
Power supply voltage	1	100V
	2	110V
	3	200V
	5	220-240V
	8	380-415V
	Treadle unit	4
6		2 forward 2 backward step type
Operation panel	4	External
Sewing machine	1	S-7200A

<Motor>

brother
M-741HS
No. A03D1111

Serial No. ←

2326M



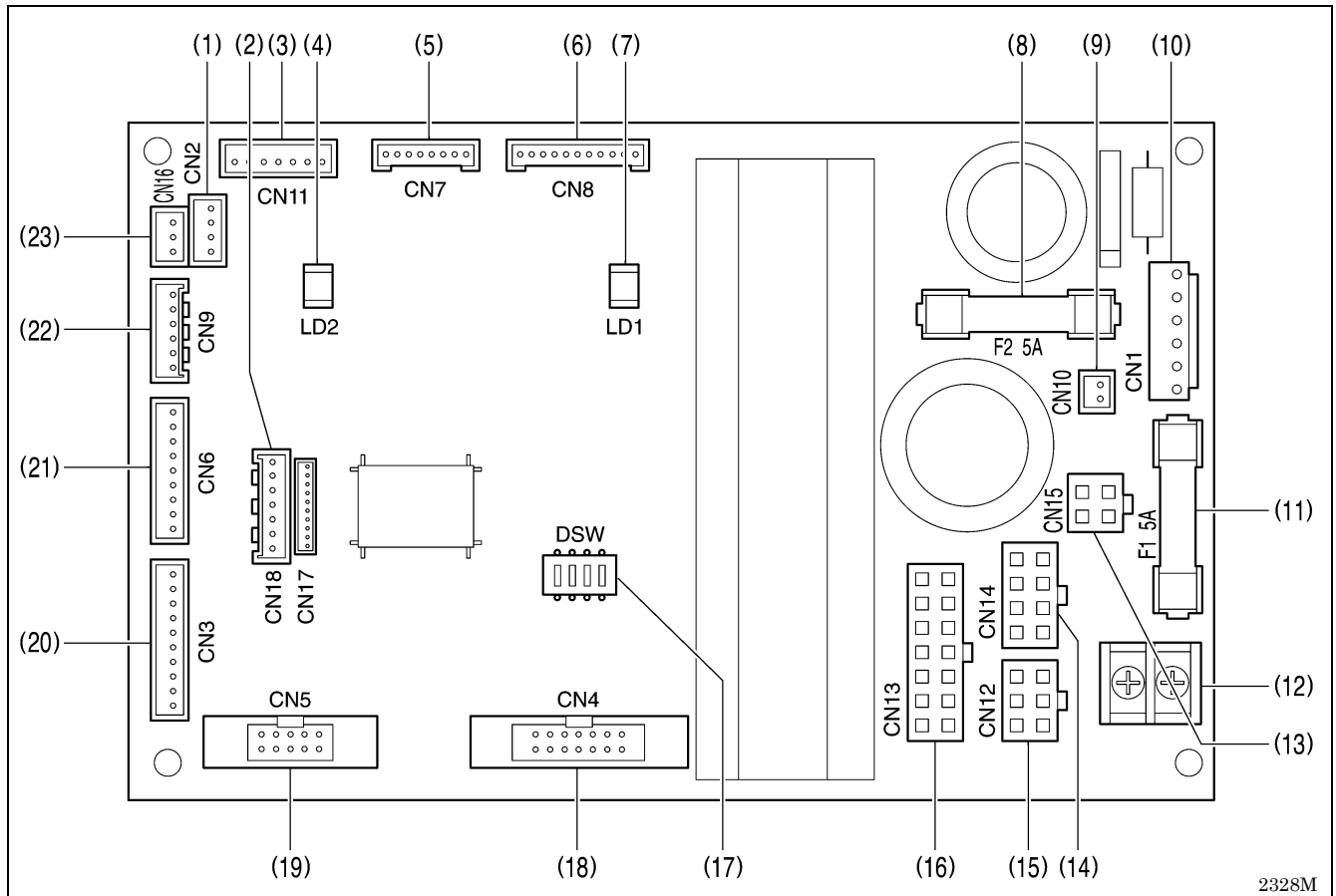
2327M

9-3. Control circuit board



Wait at least 5 minutes after turning off the power switch and disconnecting the power cord from the wall outlet before opening the face plate of the control box. Touching areas where high voltages are present can result in severe injury.

<Name and function of each part>



2328M

Connectors	(2)	Head detector unit connector	Connect to sewing machine connectors.
	(14)	Option connector A	
	(15)	Solenoid-type presser lifter connector	
	(16)	Sewing machine connector	
	(18)	Synchronizer connector	
	(19)	Operation panel connector	Connect to power supply circuit board connectors.
	(5)	Relay connector	
	(6)	Coupler connector	
	(10)	Control power supply connector	Connect to transformer connectors.
	(1)	Treadle connector	Connect to treadle unit connector.
	(20)	Standing operation connector	Connect to plug (sold separately) for standing operation
	(13)	Puller connector	Connect to solenoid for puller or other device.
	(3)	Option connector 1	Connect to sewing speed actuator.
	(21)	Option connector 2	For input/output signals used by external devices
	(22)	Option connector 3	Connect to stitch counter actuator.
(9)	Cooling fan power supply connector	Only used for three-phase high-voltage specifications.	
(23)	Thermistor connector	Connect to shorted connector when not using three-phase high-voltage specifications.	

Fuses	(8)	Solenoid power supply fuse (5A)	For preventing overcurrent
	(11)	Illumination lamp power supply fuse (5A)	
Terminal board	(12)	Terminal board	For illumination lamp (6 V)
DIP switch	(17)	DSW	For function selection
LED indicators	(4)	Red LED	Indicates power supply circuit board problems.
	(7)	Green LED	Indicates that the power is on.

(21) Connector CN6

	Signal name		Remarks
1	+5V	DC +5V	
2	$\overline{\text{IN}}$	Variable signal input	For stitch counting
3	$\overline{\text{SPSP}}$	Speed command input	[Not used by the S-7200A]
4	$\overline{\text{STOP}}$	Operation prevention input	L level: Operation prevented
5	$\overline{\text{ND}}$	Needle down signal output (*)	L level: Needle down stop position
6	$\overline{\text{NU}}$	Needle up signal output (*)	L level: Needle up stop position
7	$\overline{\text{ENG}}$	Machine shaft sync signal (*)	45 pulses/stitch
8	$\overline{\text{STBY}}$	Operation signal output (*)	H level: Operation in progress
9	S0V	0V (GND)	
10	ENC-A	A phase signal output (*)	Encoder A phase (180 pulses/stitch)
11	ENC-B	B phase signal output (*)	Encoder B phase (180 pulses/stitch)

(*) Open collector output

(22) Connector CN9

	Signal name		Remarks
1	+5V	DC +5V	Stitch counter warning LED
2	UNTH_LED	Stitch counter LED signal output	
3	UNTH_SW	Stitch counter switch input signal	Stitch counter actuator
4	S0V	0V (GND)	
5	IN1	Variable input signal 1	
6	IN2	Variable input signal 2	

(3) Connector CN11

	Signal name		Remarks
1	+5V	DC +5V	
2	$\overline{\text{LED1}}$	Option signal output 1	
3	$\overline{\text{LED2}}$	Option signal output 2	
4	LEFT_UP_SW	Option signal input 1	Sewing speed actuator (high speed)
5	RIGHT_UP_SW	Option signal input 2	Sewing speed actuator (medium speed)
6	RESET_SW	Option signal input 3	Sewing speed actuator (low speed)
7	S0V	0V (GND)	

9-4. Checking the motor and power supply

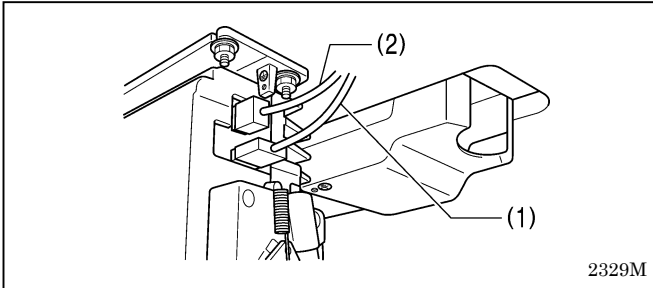
⚠ CAUTION



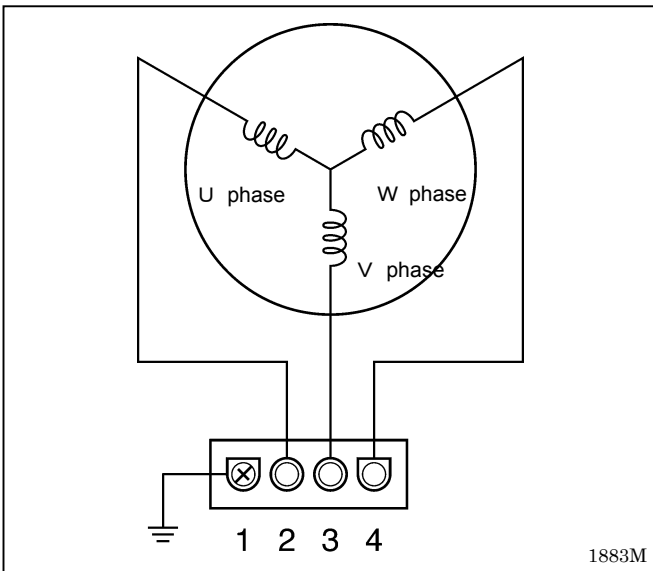
Turn off the power switch and disconnect the power cord from the wall outlet before carrying out these operations. The machine may operate if the treadle is depressed by mistake, which could result in injury.



If the power switch needs to be left on when carrying out some adjustment, be extremely careful to observe all safety precautions.



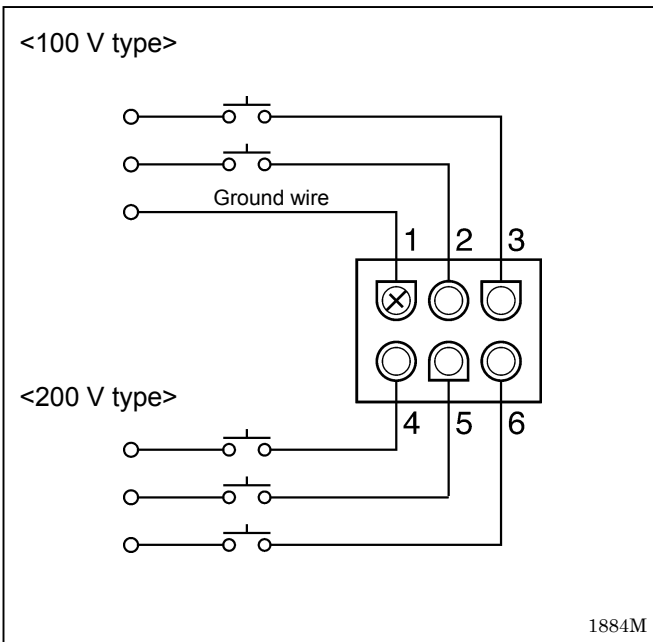
<Motor>



1. Disconnect the motor connector 4P (1) from the control box.
2. Measure the resistance of the motor connector (1) using an ohmmeter in the x 1 range.
If the value is as shown in the table below, the connector is normal.

Between 2-3	Approx. 1.6 Ω
Between 3-4	
Between 4-2	

<Power switch>



1. Disconnect the power supply connector 6P (2) from the control box.
2. Turn on the power switch.
3. Measure the voltage at the power supply connector (2) using the AC voltage range of a multimeter, and check that the voltage is within the allowable range for the specified voltage rating.

100 V type (100-120 V)

Measure the AC voltage between terminals 2-3.

200 V type (200-240 V)

[A] For three-phase
Measure the AC voltage between terminals 4-5, 5-6 and 6-4.

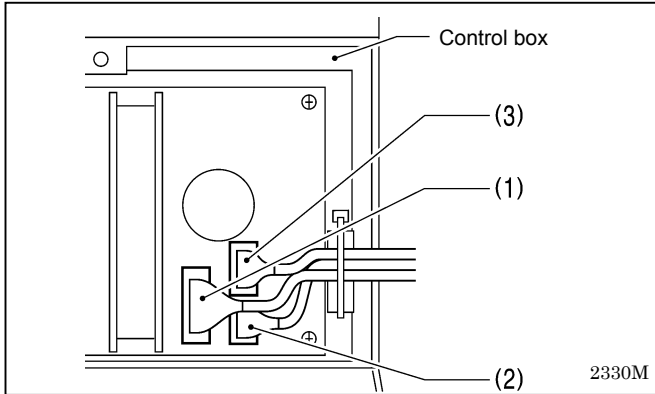
[B] For single-phase
Measure the AC voltage between terminals 4-6.

9-5. Checking the solenoids

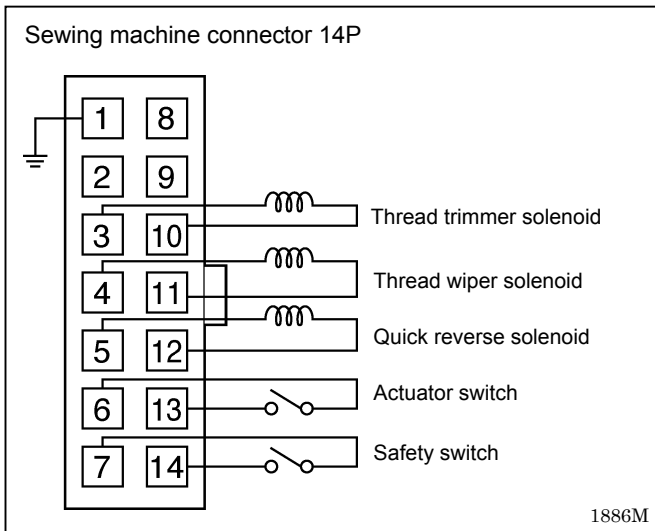
⚠ DANGER



Wait at least 5 minutes after turning off the power switch and disconnecting the power cord from the wall outlet before opening the face plate of the control box. Touching areas where high voltages are present can result in severe injury.



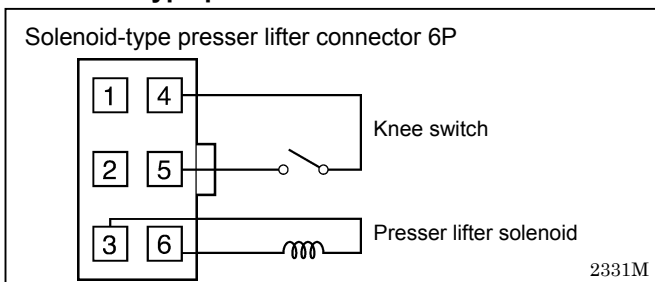
<Machine head>



1. Disconnect the sewing machine connector 14P (1) from the control circuit board.
2. Measure the resistance of the sewing machine connector (1) using an ohmmeter in the x 1 range. If the values are as shown in the table below, the connector is normal.

Between 3–10	Thread trimming solenoid: Approx. 7.6 Ω
Between 4–11	Thread wiper solenoid: Approx. 5.7 Ω
Between 5–12	Quick reverse solenoid: Approx. 4.8 Ω
Between 6–13	When actuator is pressed: 0 Ω
	When actuator is released: ∞ Ω
Between 7–14	When machine head is upright (switch ON): 0 Ω
	When machine head is tilted back (switch OFF): ∞ Ω

<Solenoid-type presser lifter connector>



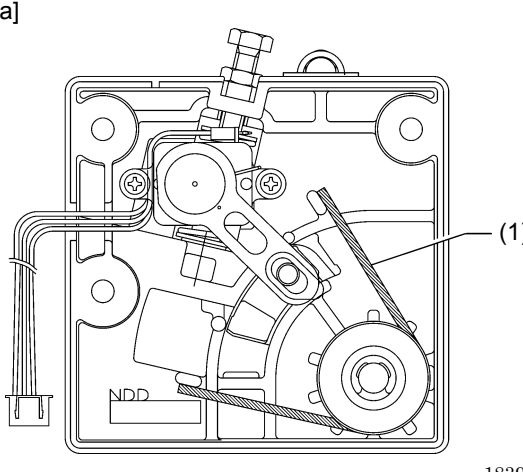
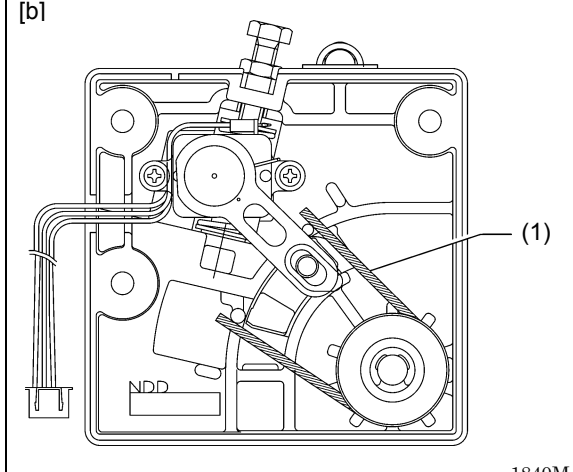
1. Disconnect the solenoid-type presser lifter connector 6P (2) from the control circuit board.
2. Measure the resistance of the solenoid-type presser lifter connector (2) using an ohmmeter in the x 1 range. If the values are as shown in the table below, the connector is normal.

Between 3–6	Presser lifter solenoid: Approx. 9.6 Ω
Between 4–5	When knee switch is pressed: 0 Ω
	When knee switch is released: ∞ Ω

10. TREADLE UNIT ASSEMBLY

10-1. Types

- The two types of treadle unit that are available are the type that controls the automatic presser foot lifter and the type that does not.
- You can switch between the two types by (A) changing the hooking position of the spring (1) inside the treadle unit; (B) setting DIP switch 2; and (C) setting the treadle stroke.

Types	Treadle unit G	Treadle unit H
Operation	Does not control automatic presser lifter	Controls automatic presser lifter
<A> Difference in spring position	[a]  1839M	[b]  1840M
 DIP switch setting	DIP switch 2: OFF <When depressing the treadle forward> The presser foot lifter control signal is not output when the treadle is being depressed.	DIP switch 2: ON <When depressing the treadle forward> The automatic presser foot lifter signal is output at the position before the treadle depression force suddenly changes.
<C> Signal setting	Carry out the setting in "Setting method for standard depression strokes" on page 49. Set the neutral position, maximum forward position and maximum backward position.	Carry out the setting in "Setting method for standard depression strokes" on page 49. Set the neutral position, maximum forward position and maximum backward position. The first modulation position for the treadle depression force is set automatically.
<D> Depression force	<When depressed forward and depressed backward> The depression force hardly changes at all from the start of depression until full depression.	<When depressed forward and depressed backward> The depression force suddenly changes at a point between the start of depression and full depression.
<E> Depression signal	< When depressed forward > The sewing machine starts. < When depressed backward > The sewing machine starts. (NOTE 1)	<When depressed forward and depressed backward> An automatic presser lifter signal is output at the point before the depression force suddenly changes, and the sewing machine starts at the point after the depression force suddenly changes.

(NOTE 1) The presser foot lifter control signal is output while the treadle is depressed backward. However, if DIP switch 1 is set to OFF, the presser foot lifter control signal is not output when the treadle is depressed backward after the knee switch has been used to raise the presser foot. Furthermore, if Function No. 41 is set to "1", the presser foot lifter control signal is not output when the treadle is depressed backward.

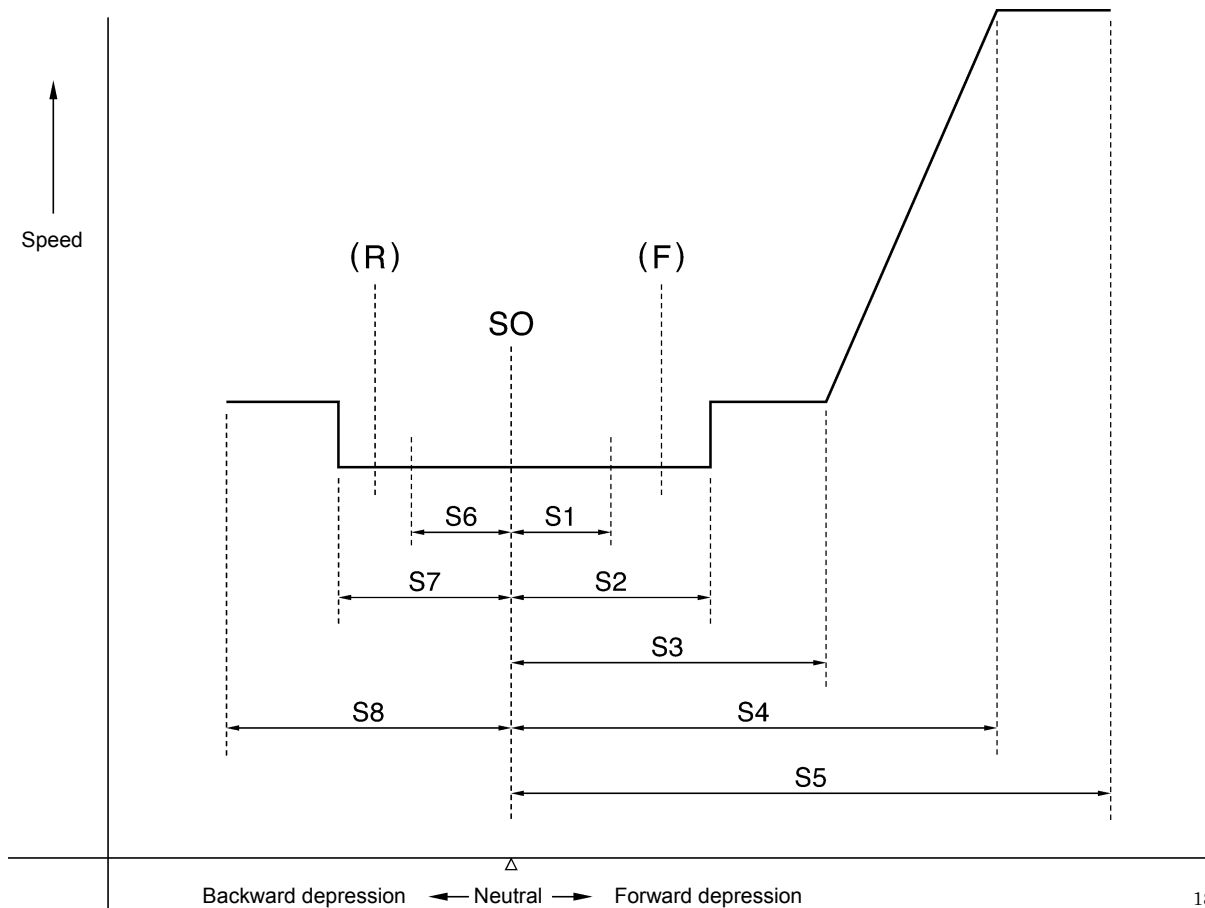
10-2. Standard setting values

Function No.	Symbol (diagram below)	Specification	Treadle unit G		Treadle unit H	
		Operation	Does not control automatic presser lifter		Controls automatic presser lifter	
		Spring position setting	No forward/back 1st step modulation (Figure [a] on previous page)		Forward/back 1st step modulation (Figure [b] on previous page)	
		Function	Length from S0 (mm)	Force (N)	Length from S0 (mm)	Force (N)
-	S0	Neutral point	0	-	0	-
82	S1	Forward automatic presser lifter operating point	-	-	2 (NOTE 1)	10
83	S2	Low speed operation starting point	3	10	5	25
84	S3	Speed change starting point	6	-	7	-
85	S4	Maximum speed reaching point	S5-1	-	S5-1	-
-	S5	Maximum forward depression point	14.5	12	14.5	32
81	S6	Back automatic presser lifter operating point	-	-	2 (NOTE 2)	14
80	S7	Thread trimmer operating point	5	22	5	35
-	S8	Maximum back depression point	8	28	8	43

(NOTE 1) Setting is enabled when DIP switch 1 is set to ON and Function No. 13 is set to "1".

(NOTE 2) Setting is enabled when Function No. 12 is set to "0".

- When the connecting rod installation position is on the inside, the measurement value is the amount of movement of the treadle from the neutral position to the forward position and to the backward position.
- For treadle unit -H, the point of change (F) in the forward depression force is between S1 and S2, and the point of change (R) in the backward depression force is between S6 and S7.



1841M

10-3. Setting method for standard depression strokes

⚠ CAUTION

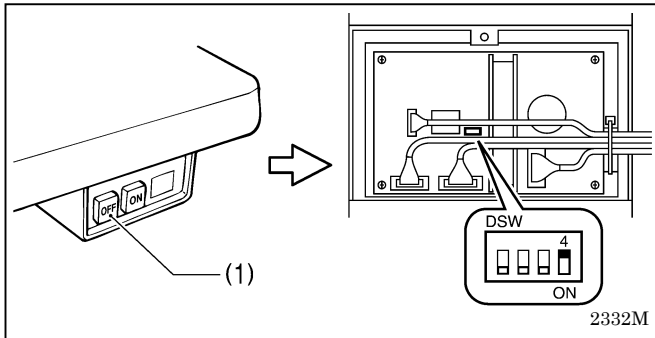


Wait at least 5 minutes after turning off the power switch and disconnecting the power cord from the wall outlet before opening the face plate of the control box. Touching areas where high voltages are present can result in severe injury.

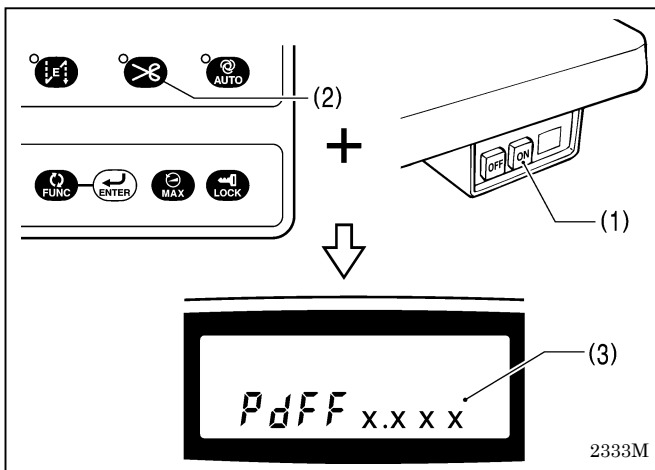
When the specifications of the treadle unit are changed or if the treadle unit or control circuit board are replaced, it will be necessary to make new settings according to the procedure described below.

Use the following procedure to set the operating positions for the depression stroke.

1) Signal setting entry

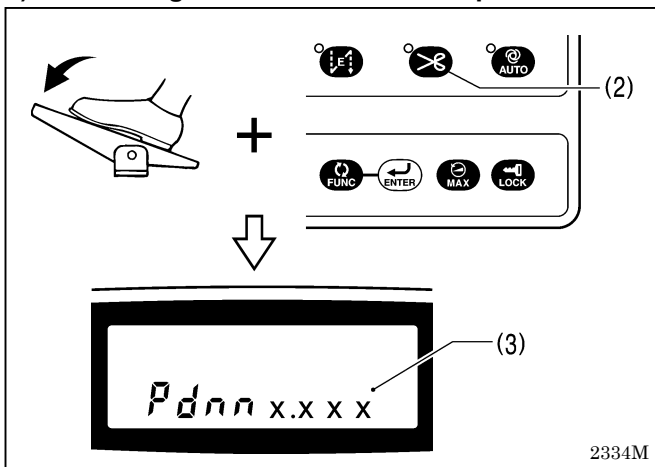


1. Turn off the power switch (1).
2. Set DIP switch No.4 to ON.



3. While pressing the thread trimming key (2), turn on the power switch (1).
"PdFF x.xxx" will appear in the main display (3).
(x.xxx indicates the depression voltage.)

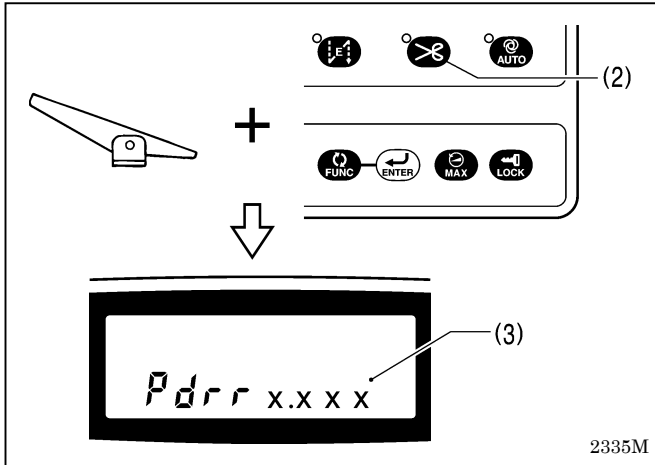
2) Memorizing the maximum forward position



With the treadle depressed forward to the maximum forward position, press the thread trimming key (2).

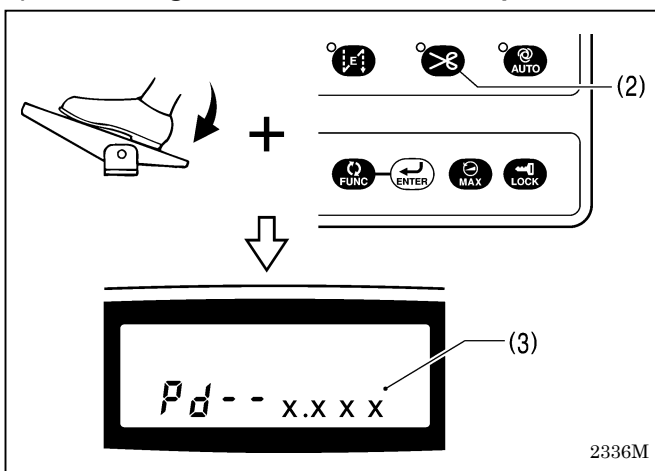
"Pdnn x.xxx" will appear in the main display (3).

3) Memorizing the neutral position



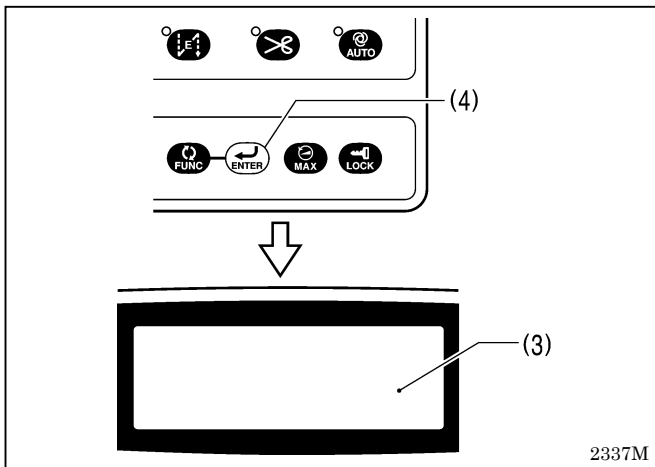
With your foot released from the treadle, press the thread trimming key (2).
"Pdrr x.xxx" will appear in the main display (3).

4) Memorizing the maximum backward position



With the treadle depressed backward to the maximum backward position, press the thread trimming key (2).
"Pd-- x.xxx" will appear in the main display (3).

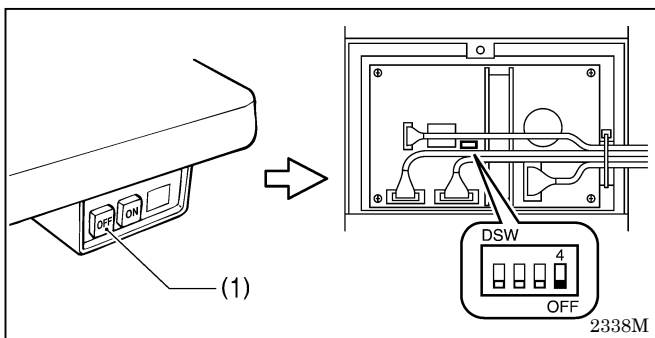
5) Completion of setting



1. Press the ENTER key (4).
The buzzer will sound and the main display (3) will switch off.

NOTE:

If you do not press the ENTER key (4), the settings will not be memorized.



2. Turn off the power switch (1).
3. Set DIP switch No.4 to OFF.

11. STANDING OPERATION PEDAL

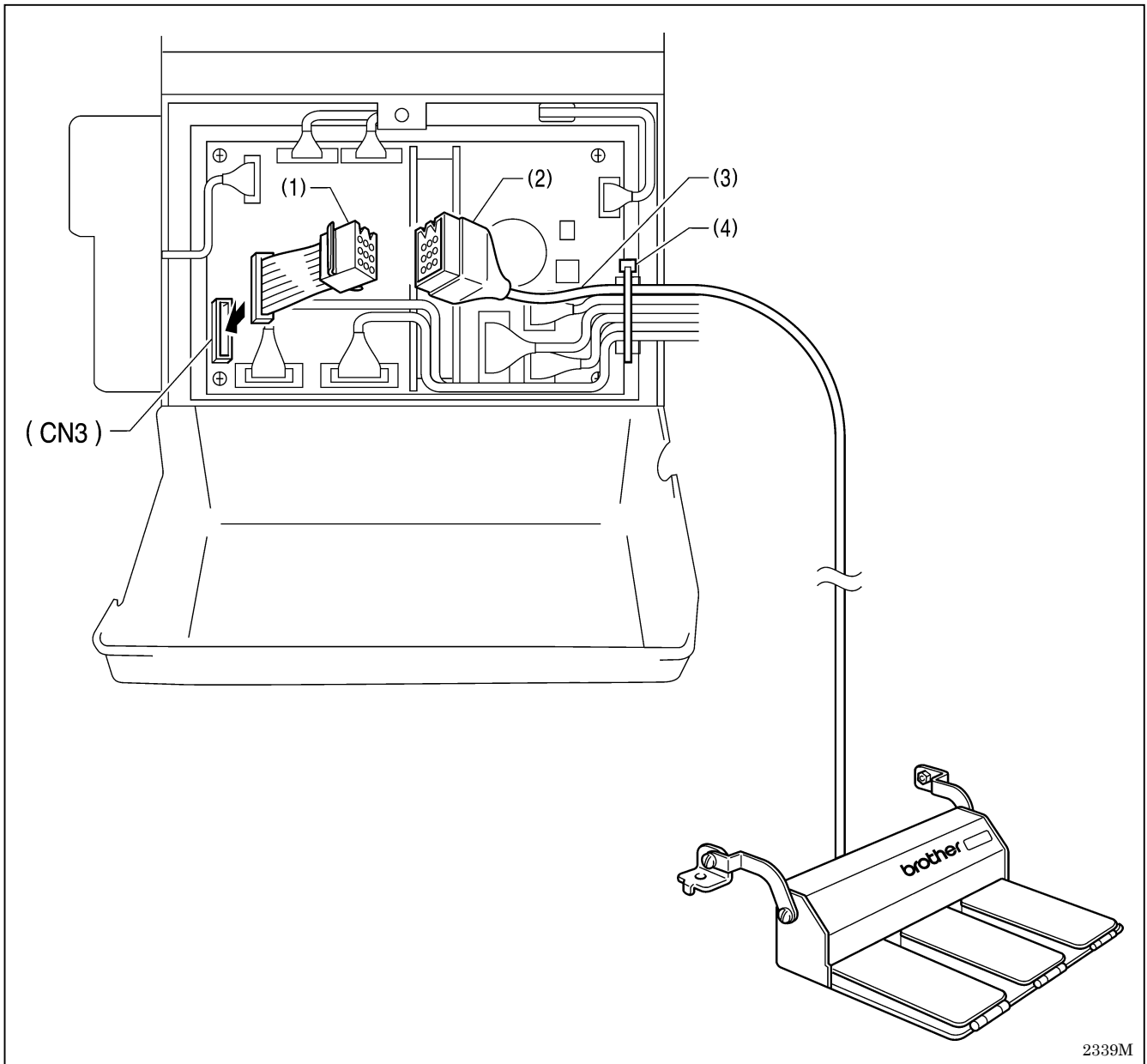
The foot plug assembly CDD (J04099-001) that is sold separately is required.

11-1. Installing the foot plug

⚠ DANGER



Wait at least 5 minutes after turning off the power switch and disconnecting the power cord from the wall outlet before opening the face plate of the control box. Touching areas where high voltages are present can result in severe injury.

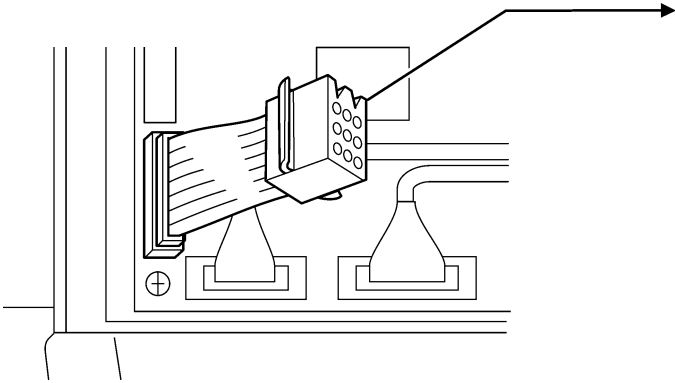


2339M

1. Connect the foot plug (1) to connector CN3 on the control circuit board.
2. Connect the standing pedal connector (2) to the foot plug (1).
3. Secure the standing pedal cord (3) with a repeat cable tie (4).

11-2. Connectors

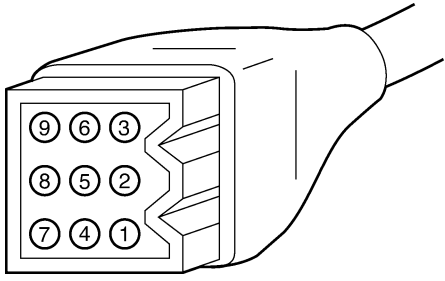
<At foot plug>



No.	Standing operation pedal 9P connector
1	DC+8 V
2	High-speed switch
3	Thread trimmer switch
4	SOV
5	Spare
6	Low-speed switch
7	Presser foot switch
8	Variable speed input
9	Ground

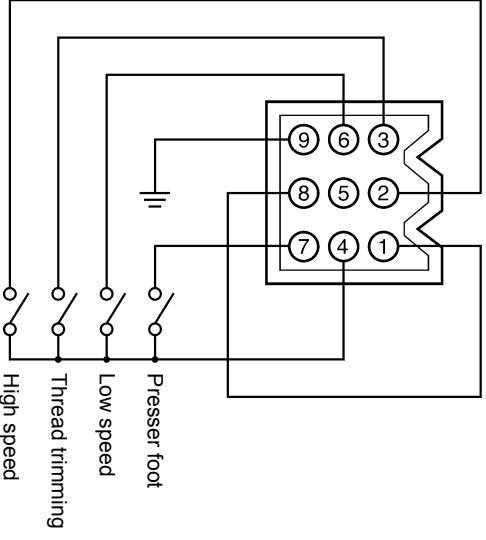
2340M

<At pedal>



1867M

<A> Two-step pedal

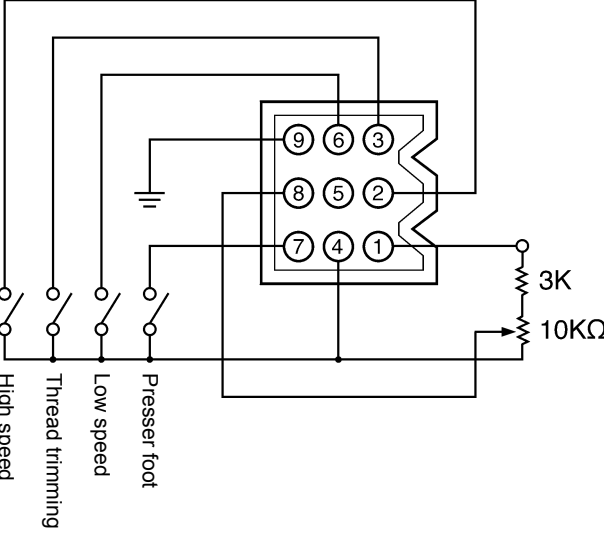


NOTE:

Connector types

Manufacturer	Connector No.	Connector terminal
MOLEX	1292 P	1380 TL

 Variable speed pedal



1868M

12. TROUBLESHOOTING

- Please check the following points before calling for repairs or service.
- If the following suggestions do not solve the problem, turn off the machine power supply and contact your nearest Brother service center.

⚠ DANGER






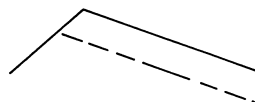
Wait at least 5 minutes after turning off the power switch and disconnecting the power cord from the wall outlet before opening the face plate of the control box. Touching areas where high voltages are present can result in severe injury.

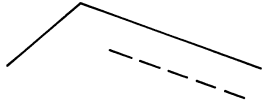
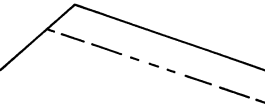

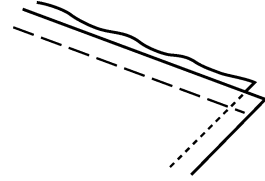
⚠ CAUTION



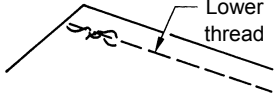
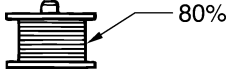
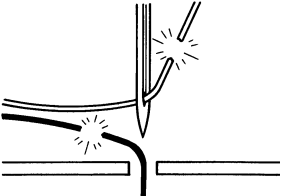
Turn off the power switch and disconnect the power cord before carrying out troubleshooting. The machine may operate if the treadle is depressed by mistake, which could result in injury.

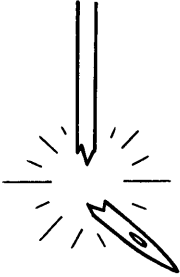
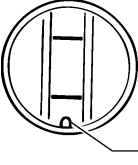
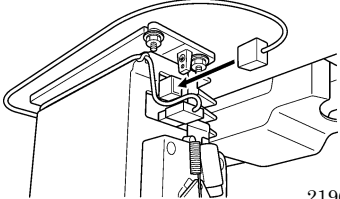
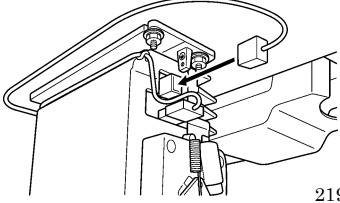
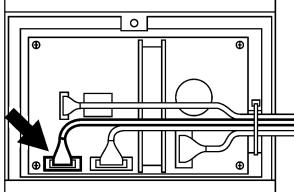
12-1. Sewing

Problem		Possible cause	Page
1	Upper thread is not tight.  0573M	<ul style="list-style-type: none"> • Is the upper thread tension too weak, or is the lower thread tension too strong? Adjust the upper thread tension or lower thread tension. 	Instruction manual
2	Lower thread is not tight.  0574M	<ul style="list-style-type: none"> • Is the lower thread tension too weak, or is the upper thread tension too strong? Adjust the lower thread tension or upper thread tension. 	Instruction manual
3	Loops appear in seam.  0977M	<ul style="list-style-type: none"> • Is the thread path not smooth enough? Use a file with a fine grain or sandpaper to polish smooth the thread path. • Is the bobbin not turning smoothly? Pull out the lower thread to check that there is no slackness in the thread tension, or replace the bobbin or bobbin case. 	
4	Skipped stitches occur while sewing  0470M	<ul style="list-style-type: none"> • Is the needle tip bent? Is the needle tip blunt? If the needle tip is bent or broken, replace the needle. • Is the needle properly installed? If it is incorrect, install the needle correctly. • Is the machine properly threaded? If it is incorrect, thread the thread correctly. • Is the presser foot pressure too weak? Adjust the presser foot pressure. • Is the needle too thin? Replace the needle with a needle that is one rank thicker. • Is the presser foot too high? Adjust the height of the presser foot. • Is the thread take-up spring too weak? Adjust the tension of the thread take-up spring. 	Instruction manual Instruction manual Instruction manual 24 23

	Problem	Possible cause	Page
5	<p>Skipped stitches at sewing start Thread unravelling at sewing start</p>  <p>0749M</p>	<ul style="list-style-type: none"> • Is the thread take-up spring tension too strong? Reduce the tension of the thread take-up spring. • Is the thread take-up spring operating range too large? Lower the position of the thread take-up spring. • Are the trailing lengths of the upper threads too short after thread trimming? Adjust the pretension. • Are the threads not being trimmed cleanly? Sharpen the fixed knives, or replace the fixed and movable knives if necessary. • Is the needle too wide? Try using a needle with a count that is one lower than the current needle. • Is the length of thread trailing out from the bobbin case after thread trimming too short? If the bobbin is spinning loosely, replace the anti-spin spring in the bobbin case. • Is the sewing speed too fast at the sewing start? Use the slow start feature. 	<p>23 23 Instruction manual 34 Instruction manual Instruction manual</p>
6	<p>Uneven seam</p>  <p>0473M</p>	<ul style="list-style-type: none"> • Is the presser foot pressure too weak? Adjust the presser foot pressure. • Is the feed dog too low? Adjust the feed dog height. • Is the bobbin scratched? If the bobbin is damaged, smooth it with an oiled grindstone or replace it. 	<p>Instruction manual 25</p>
7	<p>Large degree of puckering (excess tension)</p>  <p>0978M</p>	<ul style="list-style-type: none"> • Is the upper thread tension too strong? Make the upper thread tension as weak as possible. • Is the lower thread tension too strong? Make the lower thread tension as weak as possible. • Are the thread take-up spring tensions too strong? Make the thread take-up spring tension as weak as possible. • Is the thread take-up spring operating range too large? Lower the position of the thread take-up spring to as low a position as possible. • Is the presser foot pressure too strong? Adjust the presser foot pressure. • Is the sewing speed too fast? Use the sewing speed control keys to gradually reduce the sewing speed. 	<p>Instruction manual Instruction manual 23 23 Instruction manual Instruction manual</p>
8	<p>Material slippage</p>  <p>0750M</p>	<ul style="list-style-type: none"> • Is the presser foot pressure too strong? Adjust the presser foot pressure. 	<p>Instruction manual</p>

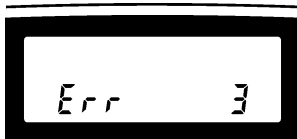
12. TROUBLESHOOTING

	Problem	Possible cause	Page
9	<p>Lower thread is tangled at the sewing start. Spinning of bobbin during thread trimming</p>  <p style="text-align: right;">0751M</p>	<ul style="list-style-type: none"> • Is the bobbin spinning direction correct when the lower thread is being pulled? Set the bobbin so that it turns in the opposite direction to the rotary hook. • Is there too much thread wound onto the bobbin? The bobbin winding amount should not be more than 80 %. • Is the anti-spin spring attached? Attach the anti-spin spring. • Is the bobbin turning smoothly? If the bobbin is not turning smoothly, replace the bobbin. • Is a bobbin other than the light-alloy bobbins specified by Brother being used? Use only bobbins which are specified by Brother.  <p style="text-align: right;">2124M</p>	<p>Instruction manual</p> <p>Instruction manual</p> <p>Instruction manual</p> <p>Instruction manual</p>
10	<p>Upper and lower threads are breaking.</p>  <p style="text-align: right;">0471M</p>	<ul style="list-style-type: none"> • Is the needle bent or is the needle tip broken? Replace the needle if it is bent or broken. • Is the needle properly installed? If it is incorrect, install the needle correctly. • Is the machine properly threaded? If it is incorrect, thread the thread correctly. • Is the rotary hook sufficiently lubricated? (-40[], 43[] specifications) If the oil gauge is down to the lower reference line in the oil gauge window, add more oil. • Is the upper or lower thread tension too weak or too strong? Adjust the upper thread or lower thread tension. • Is the upper thread may be loose because the thread take-up spring operating range is too small? Adjust the position of the thread take-up spring. • Is the rotary hook, feed dog or other part damaged? If they are damaged, smooth them with an oiled grindstone or replace the damaged parts. • Is the thread path damaged? If the thread path is damaged, smooth it with sandpaper or replace the damaged part. 	<p>Instruction manual</p> <p>Instruction manual</p> <p>Instruction manual</p> <p>Instruction manual</p> <p style="text-align: center;">23</p>
11	<p>Incorrect thread trimming (Upper and lower threads are both not being trimmed)</p>	<ul style="list-style-type: none"> • Is the fixed knife or movable knife damaged or worn? Replace the fixed knife or the movable knife. 	<p style="text-align: center;">34</p>
12	<p>Incorrect thread trimming (Upper thread or lower thread is not being trimmed)</p>	<ul style="list-style-type: none"> • Is the needle properly installed? If it is incorrect, install the needle correctly. • Is the fixed knife or movable knife blunt? Replace the fixed knife or the movable knife. 	<p>Instruction manual</p> <p style="text-align: center;">34</p>

	Problem	Possible cause	Page
13	Broken needles  0469M	<ul style="list-style-type: none"> Is the material being pushed or pulled with excessive force during sewing? Is the needle properly installed? If it is incorrect, install the needle correctly. Is the needle bent, is the needle tip broken, or is the needle hole blocked? Replace the needle. <div style="border: 1px solid black; padding: 5px; margin-top: 10px;"> <p style="text-align: center;">Caution</p> <ul style="list-style-type: none"> It is extremely dangerous to leave any pieces of broken needle sticking in the material. If the needle breaks, search for all pieces until the whole of the needle is found again. Furthermore, we recommend we recommend that through steps be taken to account for such needles to comply with product liability regulations. </div>	Instruction manual
14	Oil gauge (1) is not visible in oil gauge window.  (1) 2195M	<ul style="list-style-type: none"> Is the oil tank empty? (-40[], 43[] specifications) Fill the oil tank with oil. 	Instruction manual
15	Machine does not operate when power is turned on and treadle is pressed.	<ul style="list-style-type: none"> Is the power supply connector disconnected from the control box? Insert the connector securely.  2196M	45
16	Machine does not operate at high speed.	<ul style="list-style-type: none"> Is the sewing speed setting or backtack speed setting incorrect? Use the sewing speed control keys to set the high speed. 	Instruction manual
17	Machine stops during sewing.	<ul style="list-style-type: none"> Is the fixed stitch key turned on? Press the fixed stitch key so that the indicator turns off. Is the power supply voltage too low? Check the power supply. (If the power cord is too long or too many appliances are being run from a single outlet, this may cause voltage drops which will in turn cause the reset function to activate and stop the machine, even if the power supply itself is normal.) 	Instruction manual 45
18	Nothing appears on the operation panel display.	<ul style="list-style-type: none"> Is the power supply connector disconnected from the control box? Insert the connector securely. Is the operation panel connector inside the control box disconnected? Insert the connector securely.  2196M  2197M	45 43

	Problem	Possible cause	Page
19	"GREASEUP" flashes on the operation panel when the power is turned on.	<ul style="list-style-type: none"> This display is to notify you that it is time to apply grease. Apply grease. 	37

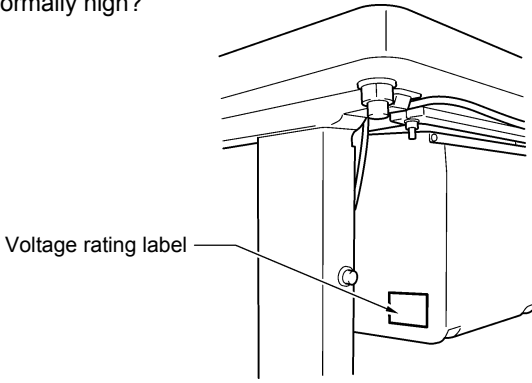
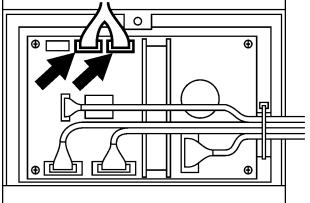
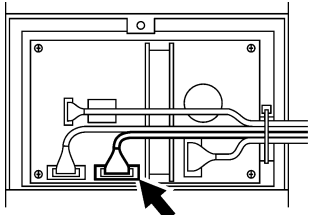
12-2. Error code displays

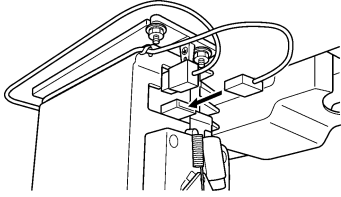
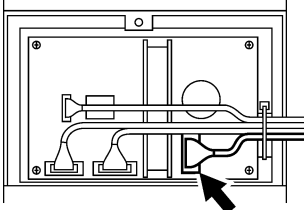
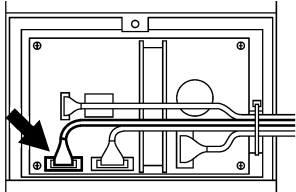


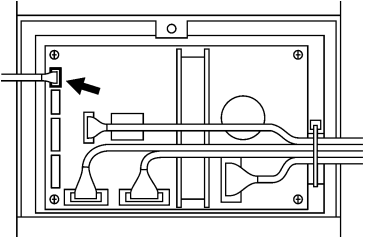
If an error code appears on the operation panel display

1. Make a note of the error code and then turn off the power.
2. After the operation panel display has turned off, eliminate the cause of the error and then turn the power back on.

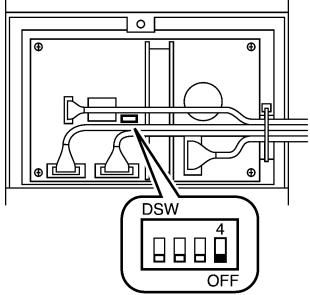
2198M

Error code	Possible cause	Page
Err 1	<ul style="list-style-type: none"> Is the power supply voltage abnormally high? Check the voltage. Problem with control box. Replace the control box.  <p style="text-align: right;">2199M</p>	41
Err 2	<ul style="list-style-type: none"> Is connector CN7 or CN8 inside the control box disconnected? Insert the connector securely.  <p style="text-align: right;">2200M</p>	43
Err 3	<ul style="list-style-type: none"> Is connector CN4 inside the control box disconnected? Insert the connector securely.  <p style="text-align: right;">2201M</p>	43

Error code	Possible cause	Page
<p>Err 4</p>	<ul style="list-style-type: none"> • Is the motor connector disconnected from the control box? Insert the connector securely.  <p style="text-align: right; margin-right: 20px;">2202M</p> <ul style="list-style-type: none"> • Has the machine locked up? Turn off the power and then turn the machine pulley by hand and check that it turns easily. 	<p style="text-align: center;">40</p>
<p>Err 5</p>	<ul style="list-style-type: none"> • Is connector CN13 inside the control box disconnected? Insert the connector securely.  <ul style="list-style-type: none"> • Is the machine head tilted back? Return the machine head to its normal position. Check the operation of the safety switch. <p style="text-align: right; margin-right: 20px;">2203M</p>	<p style="text-align: center;">43</p> <p style="text-align: center;">22</p>
<p>Err 6</p>	<ul style="list-style-type: none"> • Is the power supply voltage too low? Check the power supply voltage. • Was the power turned on while the treadle was still depressed? Return the treadle to the neutral position, and then turn on the power switch. 	<p style="text-align: center;">45</p>
<p>Err 7</p>	<p>This is displayed when there is a problem in communication with the operation panel CPU.</p> <ul style="list-style-type: none"> • Is connector CN5 inside the control box disconnected? Insert the connector securely.  <ul style="list-style-type: none"> • Problem with operation panel or control box. Replace the operation panel or control box. <p style="text-align: right; margin-right: 20px;">2197M</p>	<p style="text-align: center;">43</p> <p style="text-align: center;">40</p>
<p>Err 8</p>	<ul style="list-style-type: none"> • This appears on the display when the sewing machine has been operating continuously for 3 minutes or more. Turn the power switch off and then back on again, and then operate the sewing machine normally. 	
<p>Err 9</p>	<ul style="list-style-type: none"> • This is displayed when the motor is abnormally overheated and temperature protection has been activated. After the temperature cools down, turn the power switch back on and continue normal operation. • Problem with motor. Replace the motor. 	
<p>Err 10</p>	<ul style="list-style-type: none"> • This is displayed when abnormal current is flowing in a solenoid (thread trimming, thread wiping, quick reverse or presser foot lifter). Check the resistances of each solenoid. • Problem with control circuit board. Replace the control box. 	<p style="text-align: center;">46</p> <p style="text-align: center;">40</p>

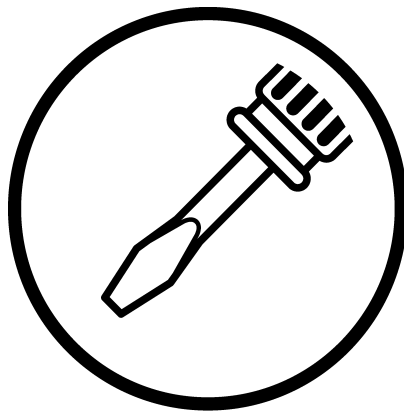
Error code	Possible cause	Page
<p>Err 21</p>	<ul style="list-style-type: none"> Is connector CN16 inside the control box disconnected? Insert the connector securely.  <p style="text-align: right; font-size: small;">2347M</p>	<p>43</p>

The error codes (orange) and error details (green) are displayed alternately.

Error code	Possible cause	Page
<p>Err 100 (GrEASEUP)</p>	<ul style="list-style-type: none"> This appears on the display when the sewing machine has continued to be used for a certain period after the "GREASEUP" notification appears without the grease being applied (without the reset procedure being carried out). Apply grease and then carry out the reset procedure. 	<p>37</p>
<p>Err 101 (diP SW 4)</p>	<ul style="list-style-type: none"> Is DIP switch No.4 inside the control box set to ON? Set DIP switch No.4 to OFF.  <p style="text-align: right; font-size: small;">2205M</p>	<p>44</p>

If an error code that is not listed above appears, contact the place of purchase.

brother®



SERVICE MANUAL

BROTHER INDUSTRIES, LTD.

15-1, Naeshiro-cho, Mizuho-ku, Nagoya 467-8561, Japan. Phone: 81-52-824-2177

Printed in Japan

S-7200A
I30508-38B
2003. 05. B (1)