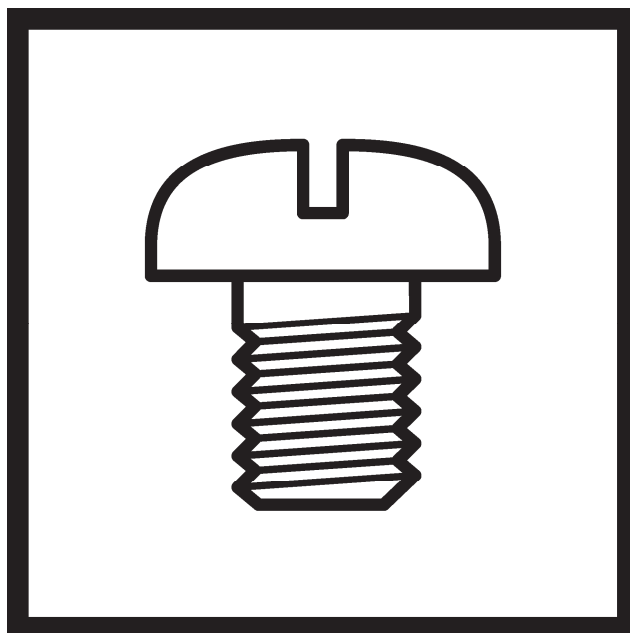


S-7300A

零件手册
PARTS BOOK

电子送布直驱自动切线平缝机

SINGLE NEEDLE DIRECT DRIVE LOCK STITCHER WITH
ELECTRONIC FEEDING SYSTEM AND THREAD TRIMMER

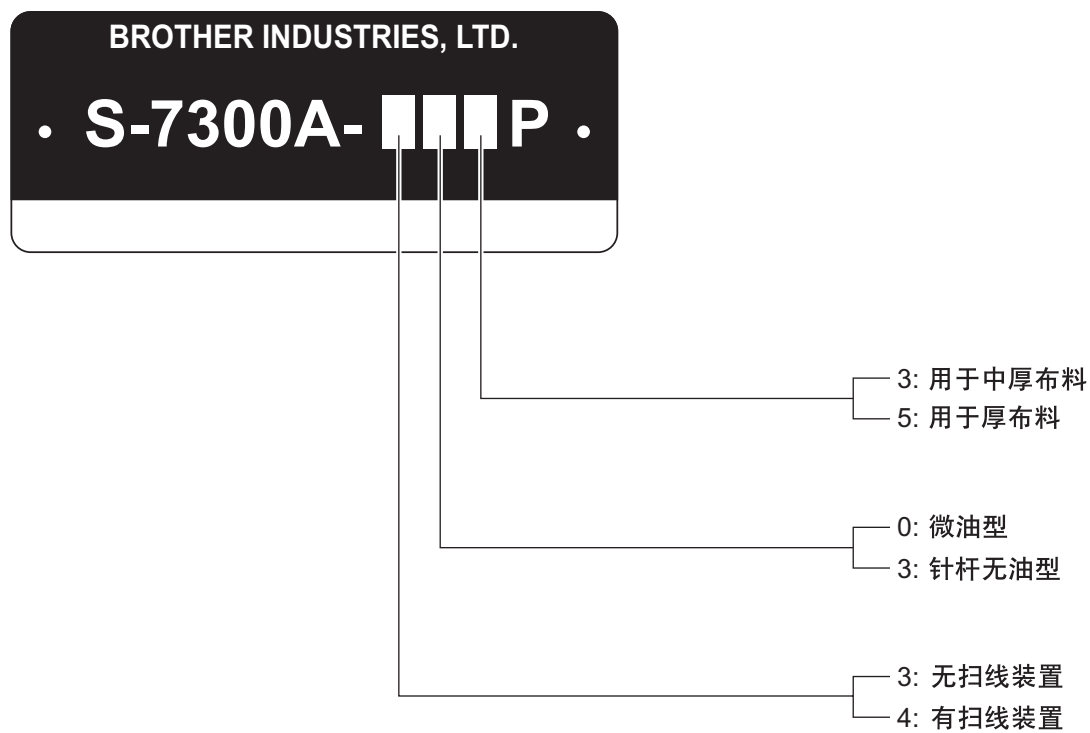


brother

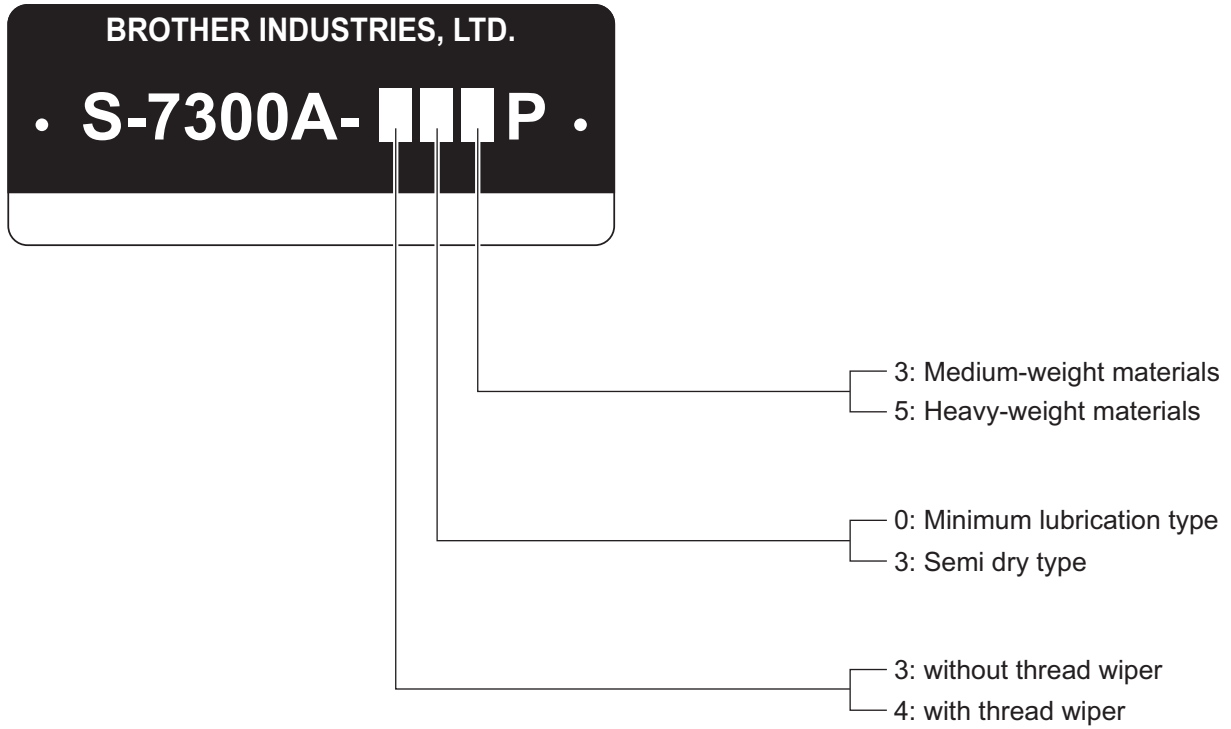
最新的零部件情报请参考(Parts Navigation)。
The latest parts information, refer to the Parts Navigation.

<http://partsbook.brother.co.jp/partsnavi/chn/>
<http://partsbook.brother.co.jp/partsnavi/eng/>

型号牌的读解法



Description of model plate



零件手册的使用说明

1. 本手册是根据截止至2015年2月的资料为基准而编制的。
2. 零部件设计若有变动，恕不另行通知。
3. 以组件为单位供应的零部件是用虚线框出。
4. 零件图册中数字(REF.NO)右上角带有“+”号的零件属多规格零件，详细请见零件清单。

目 录

A. 机体部分	1	Sp3. 不同规格零部件一览表	
B. 针杆和挑线杆装置	3	(欧洲用)	51
C. 压脚装置	7	Ga1. 工模具一览表	
D. 送料装置	11	(中厚布料用: 3条齿)	52
E. 膝控提升装置	13	Ga2. 工模具一览表	
F. 旋梭装置	15	(中厚布料用: 3条齿)	53
G. 供油润滑装置	17	Ga3. 工模具一览表	
H. 穿线装置	19	(厚布料用: 3条齿)	54
J. 绕线装置	23	Ga4. 工模具一览表	
K. 切线装置	25	(中厚布料用: 4条齿)	55
L. 松线装置	29	Ga5. 工模具一览表	
M. 扫线装置(-4 □□)	31	(中厚布料用: 4条齿)	56
N1. 控制箱	33	Ga6. 工模具一览表	
N2. 控制箱	37	(中厚布料用: 4条齿)	57
P. 倒缝开关装置	39	Ga7. 工模具一览表	
Q. 马达罩盖装置	41	(厚布料用: 4条齿)	58
T. 操作盘	43	Ga8. 工模具一览表	
U. 马达装置	45	(难缝布料·新素材用: 4条齿)	59
V. 附件	47	Wa. 警告标签	60
Sp1. 不同规格零部件一览表(日本用)	49	索引	62
Sp2. 不同规格零部件一览表			
(美洲, 中国 及一般出口用)	50		

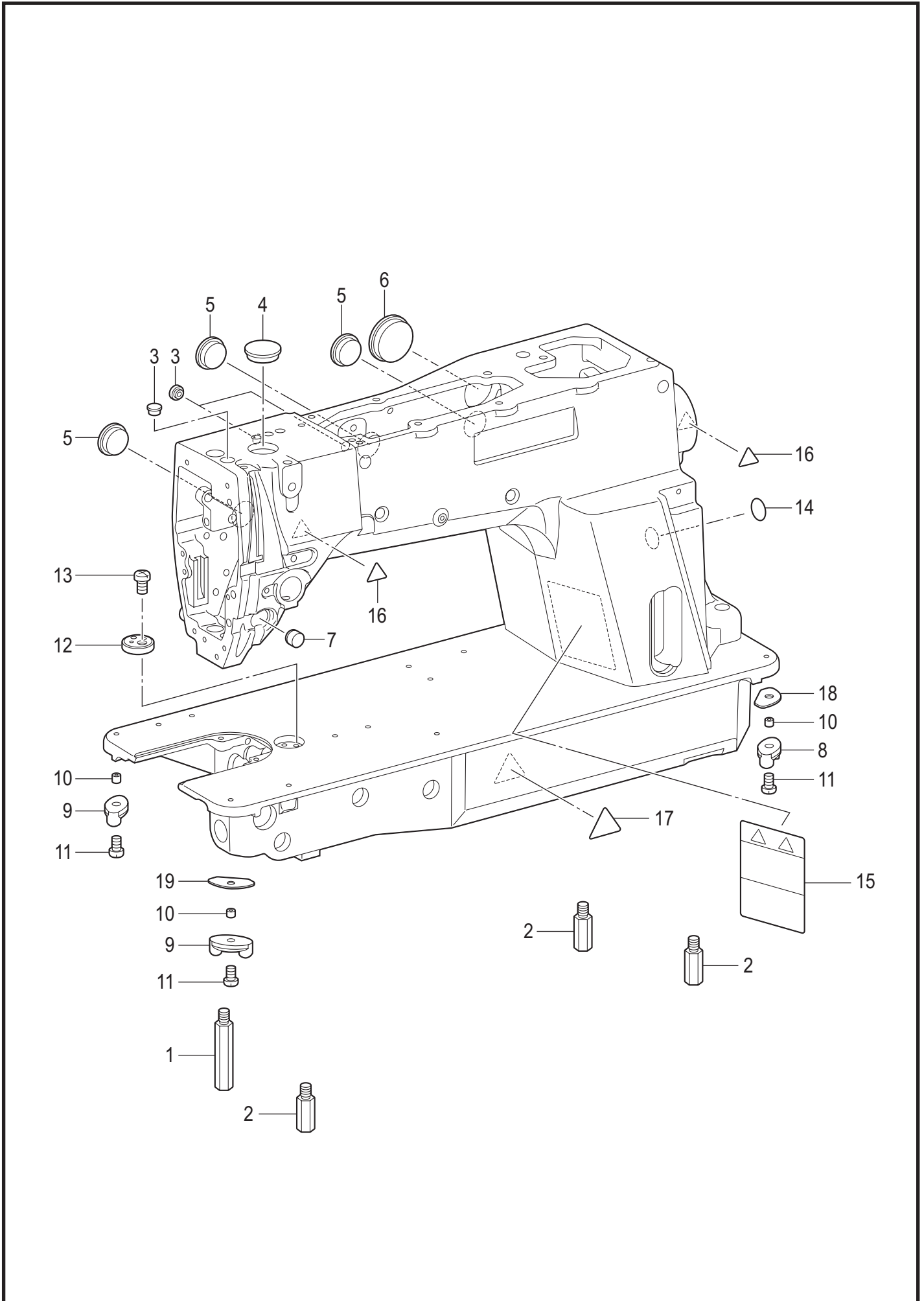
Notes for using this parts book

1. This book was prepared based on information available in February 2015.
2. Parts are subject to changes in design without prior notice.
3. Parts supplied as complete assemblies are circled by a dotted line.
4. The part which has the symbol "+" on its number (REF.NO) in the figure differs depending on the specification. For details, refer to the parts list.

CONTENTS

A. Machine body	1	Sp3. Different parts list	
B. Needle bar and thread take-up mechanism ...	3	(For Europe)	51
C. Presser foot mechanism	7	Ga1. Gauge parts list	
D. Feed mechanism	11	(Medium-weight materials : 3ROW)	52
E. Knee lifter mechanism	13	Ga2. Gauge parts list	
F. Rotary hook mechanism	15	(Medium-weight materials : 3ROW)	53
G. Lubrication	17	Ga3. Gauge parts list	
H. Threading mechanism	19	(Heavy-weight materials : 3ROW)	54
J. Bobbin winder mechanism	23	Ga4. Gauge parts list	
K. Thread trimmer mechanism	25	(Medium-weight materials : 4ROW)	55
L. Tension release mechanism	29	Ga5. Gauge parts list	
M. Thread wiper mechanism (For -4[])	31	(Medium-weight materials : 4ROW)	56
N1. Control box	33	Ga6. Gauge parts list	
N2. Control box	37	(Medium-weight materials : 4ROW)	57
P. Quick reverse switch mechanism	39	Ga7. Gauge parts list	
Q. Motor cover	41	(Heavy-weight materials : 4ROW)	58
T. Operation panel	43	Ga8. Gauge parts list	
U. Motor mechanism	45	(Difficult-to-sew materials & Shin-gosen : 4ROW) ...	59
V. Accessories	47	Wa. Warning labels	60
Sp1. Different parts list (For Japan)	49	Index	62
Sp2. Different parts list (For The Americas, China and General export) .	50		

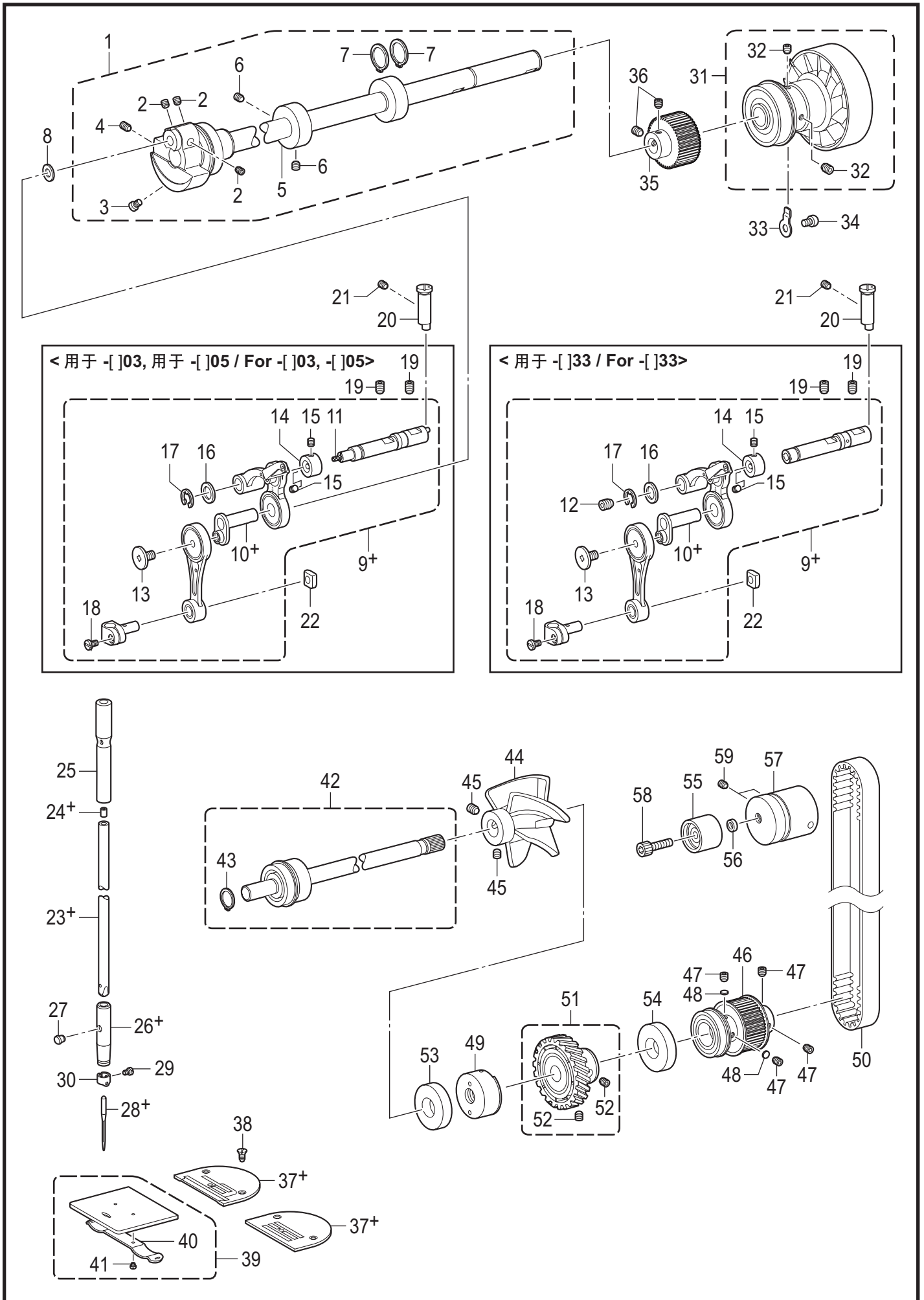
A. 机体部分 / Machine body



A. 机体部分 / Machine body

REF.NO	CODE	Q'TY	品名	NAME OF PARTS	RM
1	SB3440001	1	脚柱L	STAND L	
2	SB4845001	3	脚柱R	STAND R	
3	104450101	3	橡皮塞 8	RUBBER CAP 8	
4	SA5810001	1	橡皮塞 23.5	RUBBER CAP 23.5	
5	159150000	3	橡皮塞 20.5	RUBBER CAP 20.5	
6	150607000	1	橡皮塞 32.8	RUBBER CAP 32.8	
7	SB5043001	1	橡皮塞 15.5	RUBBER CAP 15.5	
8	SB5638001	1	头部防震垫R	HEAD CUSHION R	
9	SB5044001	2	头部防震垫L	HEAD CUSHION L	
10	SB5312001	3	轴套4-5.3	COLLAR 4-5.3	
11	060401216	3	螺钉 M4X12	SCREW BIND M4X12	
12	SB3850001	1	定位板	RULER PLATE	
13	062400616	1	螺钉 M4X6	SCREW PAN M4X6	
14	S37060001	1	接地标记	LABEL, GROUNDING	
15	SA9826001	1	操作注意标签	LABEL CAUTION	
16	SA9957001	2	警告标记	INJURY MARK	
17	SA9957002	1	警告标记	INJURY MARK	
18	SB6427001	1	垫圈	SPACER	
19	SB6427001	1	垫圈	SPACER	

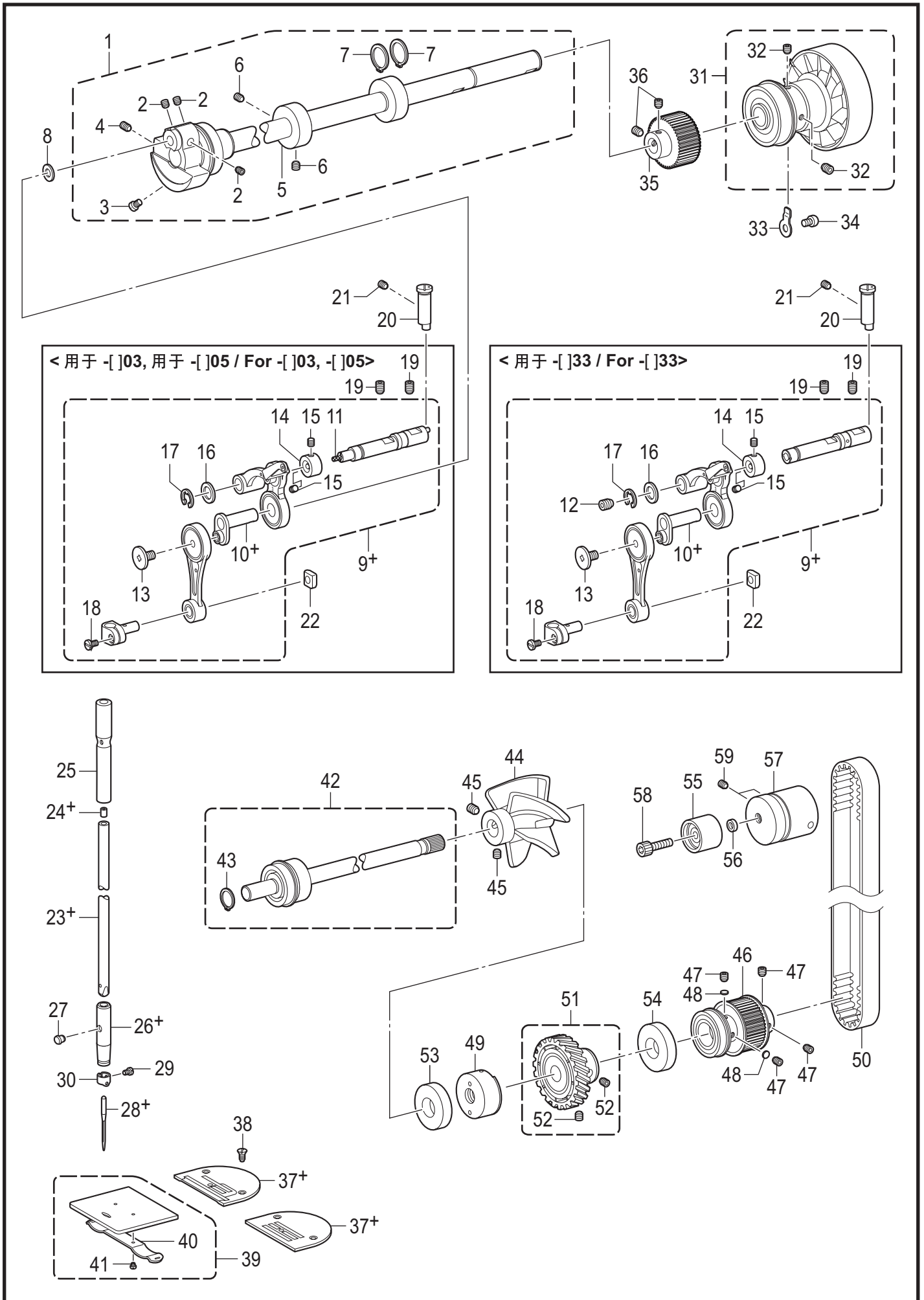
B. 针杆和挑线杆装置 / Needle bar and thread take-up mechanism



B. 针杆和挑线杆装置 / Needle bar and thread take-up mechanism

REF.NO	CODE	QTY	品名	NAME OF PARTS	RM
1	SB5290001	1	上轴组件	UPPER SHAFT ASSY	
2	S23651001	3	固定螺钉 M6X6	SET SCREW SOCKET (FT) M6X6	
3	S25235001	1	螺钉 M8	SCREW M8	
4	S25236001	1	螺钉 M6X10	SET SCREW SOCKET (FT) M6X10	
5	SA1120001	1	绕线驱动轮	BOBBIN WINDER DRIVING WHEEL	
6	S23651001	2	固定螺钉 M6X6	SET SCREW SOCKET (FT) M6X6	
7	048150142	2	轴用挡圈 C15	RETAINING RING EXTERNAL C15	
8	110367001	1	垫圈 8	WASHER, PLAIN SPECIAL 8	
			<用于-□03>	<For -□03>	
9+	SB5248001	1	针杆连杆总组件3	NEEDLE BAR CONNECTING ROD UNIT	
10+	SA7625001	1	针杆曲柄	NEEDLE BAR CRANK	
11	S32958000	1	油线	WICK	
			<用于-□05>	<For -□05>	
9+	SB5253001	1	针杆连杆总组件5	NEEDLE BAR CONNECTING ROD UNIT	
10+	SA7626001	1	针杆曲柄	NEEDLE BAR CRANK	
11	S32958000	1	油线	WICK	
			<用于-□33>	<For -□33>	
9+	SB5252001	1	针杆连杆总组件3D	NEEDLE BAR CONNECTING ROD UNIT	
10+	SA7625001	1	针杆曲柄	NEEDLE BAR CRANK	
12	SA8061001	1	螺钉封 M3X4	SET SCREW SOCKET(CP)M3X4 SEAL	
13	SA2422001	1	螺钉 SM3.57-40X6L	SCREW, SM3.57L	
14	SB3776001	1	紧圈	SET SCREW COLLAR	
15	012400436	2	螺钉 M4X4	SET SCREW SOCKET (FT) M4X4	
16	SA2161001	1	垫圈	WASHER	
17	048060342	1	挡圈 E6	RETAINING RING E6	
18	140004001	1	螺钉 SM3.57-40X7	SCREW, SM3.57-40X7	
19	012060636	2	螺钉 M6X6	SET SCREW SOCKET (FT) M6X6	
20	SA7239101	1	定位销	STOPPER PIN	
21	012500536	1	螺钉 M5X5	SET SCREW SOCKET (FT) M5X5	
22	102630001	1	针杆接头滑块	NEEDLE BAR GUIDE SLIDE BLOCK	
23+	*P.49-51**	1	针杆	NEEDLE BAR	
			<用于-□□3>	<For -□□3>	
24+	S04630000	1	针杆软木塞	NEEDLE BAR CORK	
			<用于-□05>	<For -□05>	
24+	111863001	1	针杆塞	NEEDLE BAR CORK	
25	SB5032001	1	针杆轴套 U	NEEDLE BAR BUSH U	
			<用于-□□3>	<For -□□3>	
26+	SA1138101	1	针杆轴套 D	NEEDLE BAR BUSH D	
			<用于-□05>	<For -□05>	
26+	SA1139101	1	针杆轴套 D	NEEDLE BAR BUSH D	
27	104833001	1	橡皮塞 4.3	RUBBER CAP 4.3	
28+	*P.49-51	1	机针	NEEDLE	
29	140553102	1	固定螺钉 SM3.18	SET SCREW, SM3.18	
30	151594001	1	针杆过线环	NEEDLE BAR THREAD GUIDE	
31	SB5318001	1	手轮组件	PULLEY ASSY	
32	S23651001	2	固定螺钉 M6X6	SET SCREW SOCKET (FT) M6X6	
33	SB5227001	1	轴承压板	BEARING HOLDER	
34	062500816	1	螺钉 M5X8	SCREW PAN M5X8	
35	SB4849001	1	同步轮 U	TIMING PULLEY U	
36	S23651001	2	固定螺钉 M6X6	SET SCREW SOCKET (FT) M6X6	

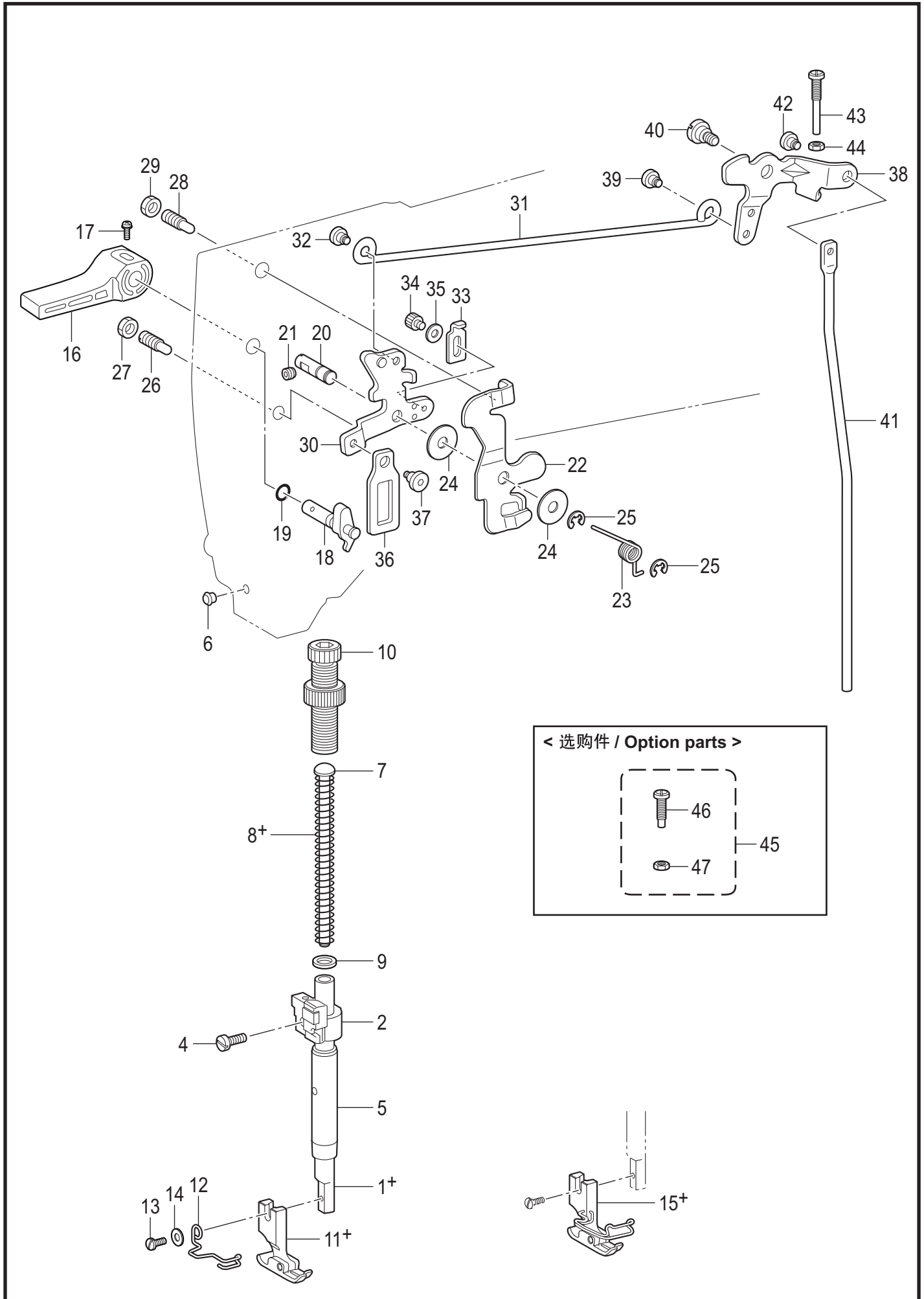
B. 针杆和挑线杆装置 / Needle bar and thread take-up mechanism



B. 针杆和挑线杆装置 / Needle bar and thread take-up mechanism

REF.NO	CODE	QTY	品名	NAME OF PARTS	RM
37+	*P.49-51	1	<用于3条齿> 针板	<For 3ROW> NEEDLE PLATE	
37+	*P.49-51	1	<用于4条齿> 针板	<For 4ROW> NEEDLE PLATE	
38	151267001	2	螺钉 SM4.37-40X8	SCREW, FLAT SM4.37-40X8	
39	180018151	1	推板组件	SLIDE PLATE ASSY	
40	114561001	1	推板簧	SPRING, PLATE	
41	SA9523001	2	螺钉 SM2.38	SCREW SM2.38	
42	SB5316101	1	下轴组件	LOWER SHAFT ASSY	
43	048120142	1	轴用挡圈 C12	RETAINING RING EXTERNAL C12	
44	SB4848001	1	下轴叶轮	LOWER SHAFT FAN	
45	S23651001	2	固定螺钉 M6X6	SET SCREW SOCKET (FT) M6X6	
46	SB5291101	1	下同步轮大组件	TIMING PULLEY D UNIT	
47	S23651001	4	固定螺钉 M6X6	SET SCREW SOCKET (FT) M6X6	
48	SA2378001	2	垫片 4.8	SPACER 4.8	
49	SB5037001	1	下轴轴套	LOWER SHAFT BUSH	
50	SA2252101	1	同步皮带	TIMING BELT	
51	SA1166001	1	下轴齿轮组件	LOWER SHAFT GEAR ASSY	
52	S23651001	2	固定螺钉 M6X6	SET SCREW SOCKET (FT) M6X6	
53	SB5628001	1	油封12-30	OIL SEAL 12-30	
54	SB5629001	1	油封12-35	OIL SEAL 12-35	
55	SB5317001	1	张力轮组件	TENSION PULLEY ASSY	
56	SB4857001	1	张力轮管套	COLLAR	
57	SB4858001	1	皮带调节轴	REGULATION SHAFT	
58	SB5039001	1	螺栓 M8X25	BOLT SOCKET M8X25	
59	012500536	2	螺钉 M5X5	SET SCREW SOCKET (FT) M5X5	

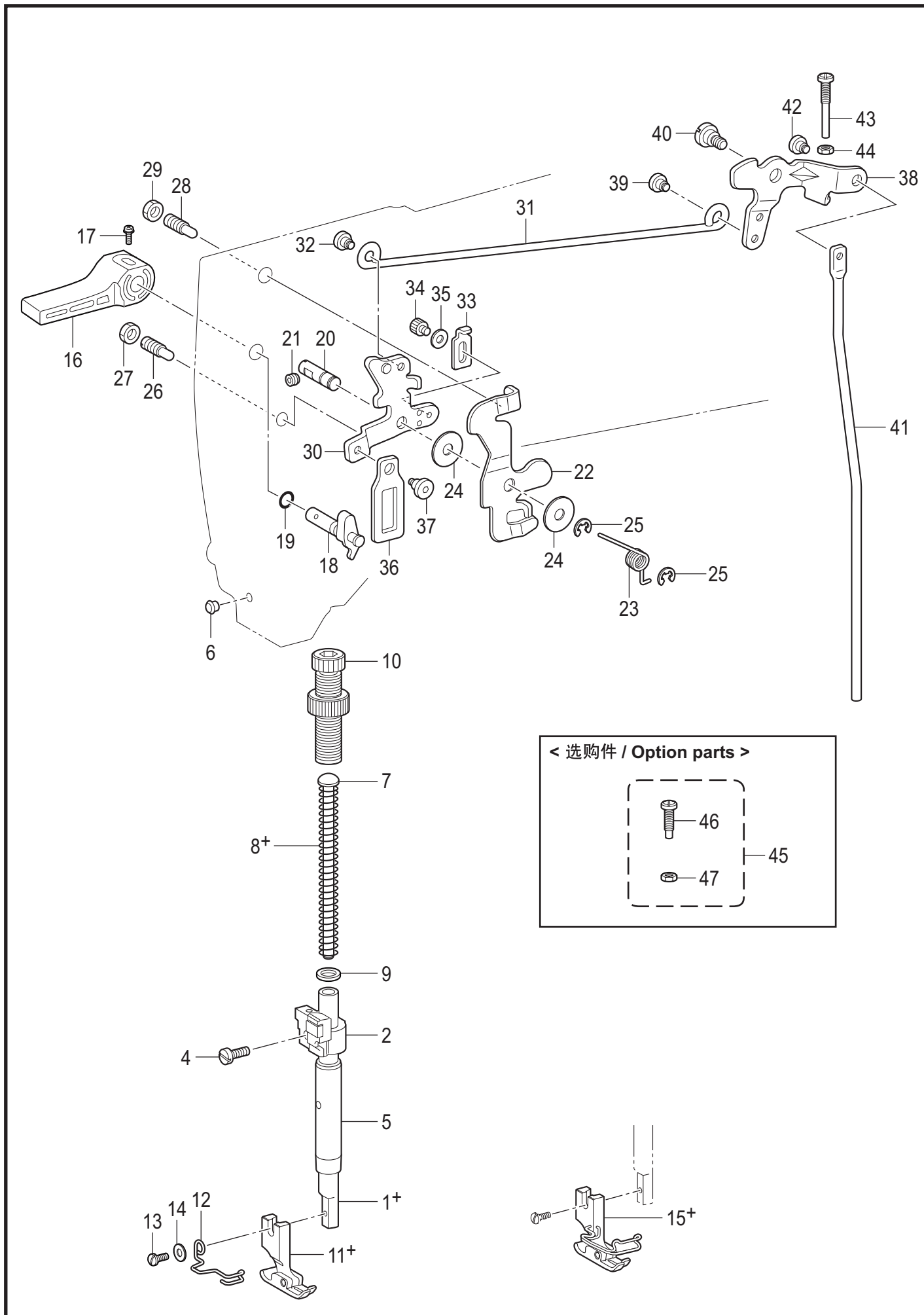
C. 压脚装置 / Presser foot mechanism



C. 压脚装置 / Presser foot mechanism

REF.NO	CODE	QTY	品名	NAME OF PARTS	RM
1+	SA9359001	1	<用于-□□3> 压紧杆	<For -□□3> PRESSER BAR	
1+	SA1173101	1	<用于-□05> 压杆	<For -□05> PRESSER BAR	
2	SB5049001	1	压紧杆导架组件P	P-BAR GUIDE BRACKET ASSY P	
4	SA8903001	1	螺钉 M4X12	SCREW M4X12	
5	SA7242001	1	压杆轴套	PRESSER BAR BUSH	
6	104833001	1	橡皮塞 4.3	RUBBER CAP 4.3	
7	SA7607101	1	弹簧导杆	SPRING GUIDE	
8+	S13561101	1	<用于-□□3> 压杆弹簧	<For -□□3> PRESSER BAR SPRING	
8+	141728001	1	<用于-□05> 压杆弹簧	<For -□05> PRESSER BAR SPRING	
9	140407001	1	垫圈	WASHER	
10	SB5262001	1	调节螺栓组件	PRESSER ADJUSTING SCREW ASSY	
11+	*P.49-50	1	<使用螺钉固定护指器> 压脚组件	<For finger guard screwed type> PRESSER FOOT ASSY	
12	SA8100101	1	护指器	FINGER GUARD	
13	S13385001	1	螺钉 SM3.57-40X10	SCREW, SM3.57-40X10	
14	025350132	1	平垫圈 S3.5	WASHER PLAIN S 3.5	
15+	*P.51	1	<护指器一体式> 压脚组件	<For finger guard integral type> PRESSER FOOT ASSY W/F-GUARD	
16	S31006002	1	抬压脚扳手	LIFTING LEVER	
17	S39051001	1	螺钉(带垫圈)M3.5X12	SCREW, PAN (S/P W) M3.5X12	
18	SB4864001	1	压紧杆提升凸轮	PRESSER BAR LIFTER CRANK	
19	081004070	1	O形圈 P4	O RING P4	
20	SB4865001	1	抬压连杆轴	PRESSER BAR LIFTER LEVER SHAFT	
21	012500536	1	螺钉 M5X5	SET SCREW SOCKET (FT) M5X5	
22	SB4867101	1	松线架	TENSION RELEASE PLATE	
23	SB4873101	1	弹簧A	SPRING A	
24	SB5229001	2	垫圈7.3	WASHER 7.3	
25	048050342	2	挡圈 E5	RETAINING RING E5	
26	SB4870001	1	松线辅助销	TENSION RELEASE SUPPORT PIN	
27	021060306	1	六角螺母 M6	NUT 3 M6	
28	SB4870001	1	松线辅助销	TENSION RELEASE SUPPORT PIN	
29	021060306	1	六角螺母 M6	NUT 3 M6	
30	SB4866001	1	抬压连杆	PRESSER BAR LIFTER LEVER	
31	SB4872001	1	膝控连杆	KNEE LIFTER CONNECTING ROD	
32	SB5030001	1	轴位螺钉M5	SHOULDER SCREW M5	
33	SB4868001	1	松线切换板	T-RELEASE REGULATOR PLATE	
34	018400532	1	螺栓 M4X5	BOLT SOCKET M4X5	
35	026040236	1	平垫圈 M4	WASHER PLAIN M 4	
36	SB4869001	1	抬压导向板	LIFTING PLATE	
37	SA1179001	1	轴位螺钉M5	SHOULDER SCREW, M5	
38	SB4871001	1	膝控提升杠杆	KNEE LIFTER LEVER	
39	SB5030001	1	轴位螺钉M5	SHOULDER SCREW M5	
40	SB0705101	1	轴位螺钉	LINK SHOULDER SCREW	
41	SB4874101	1	提升杆	KNEE LIFTER BAR	
42	SA1179001	1	轴位螺钉 M5	SHOULDER SCREW, M5	
43	SB5031001	1	调整螺钉 6	ADJUSTING SCREW 6	
44	021060306	1	六角螺母 M6	NUT 3 M6	

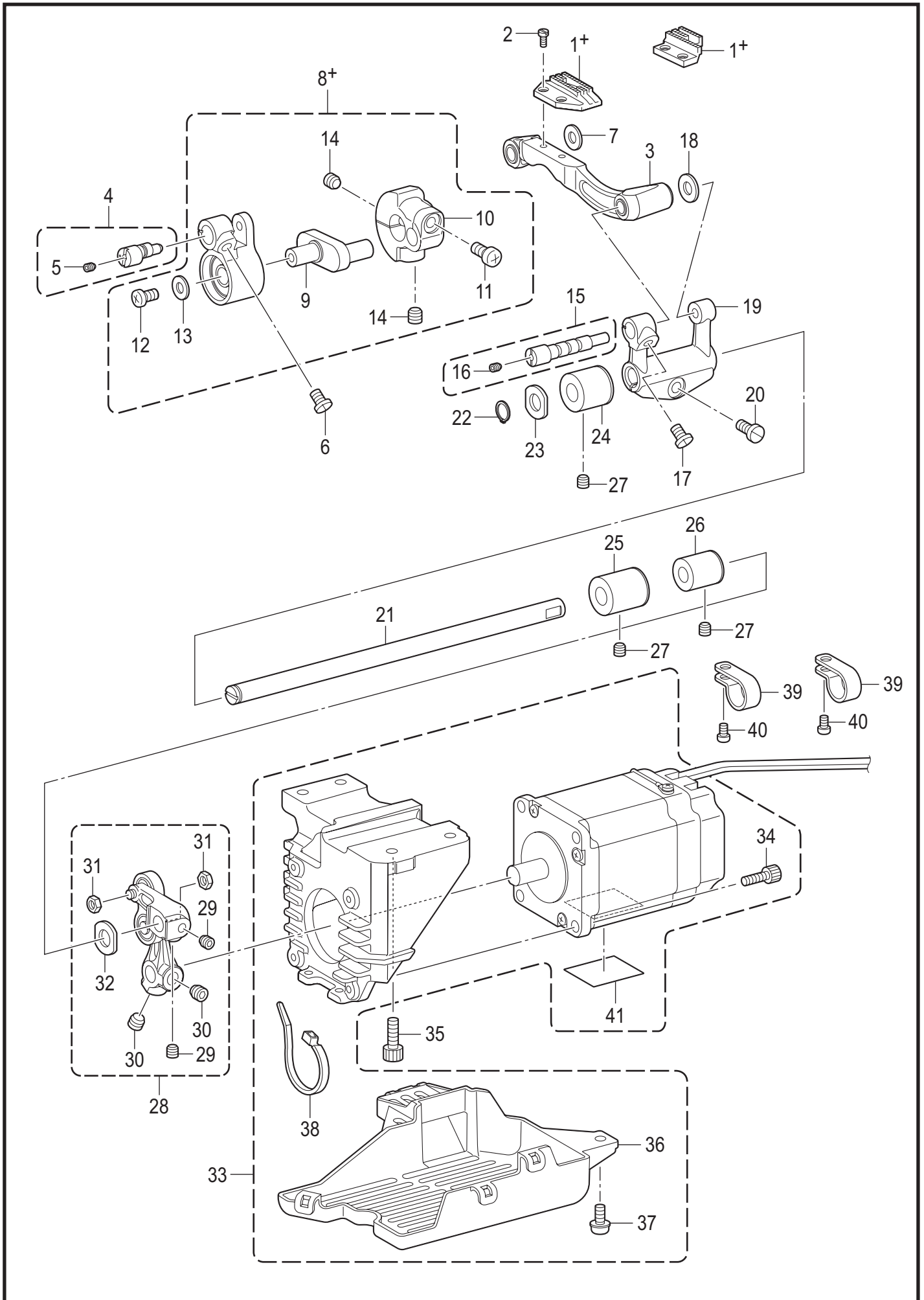
C. 压脚装置 / Presser foot mechanism



C. 压脚装置 / Presser foot mechanism

REF.NO	CODE	QTY	品名	NAME OF PARTS	RM
			<选购件>	<OPTION PARTS>	
45	SB6564001	1	调节螺丝组件	ADJUSTING SCREW SET	
46	SB5674001	1	调整螺钉6	ADJUSTING SCREW 6	
47	021060306	1	六角螺母 M6	NUT 3 M6	

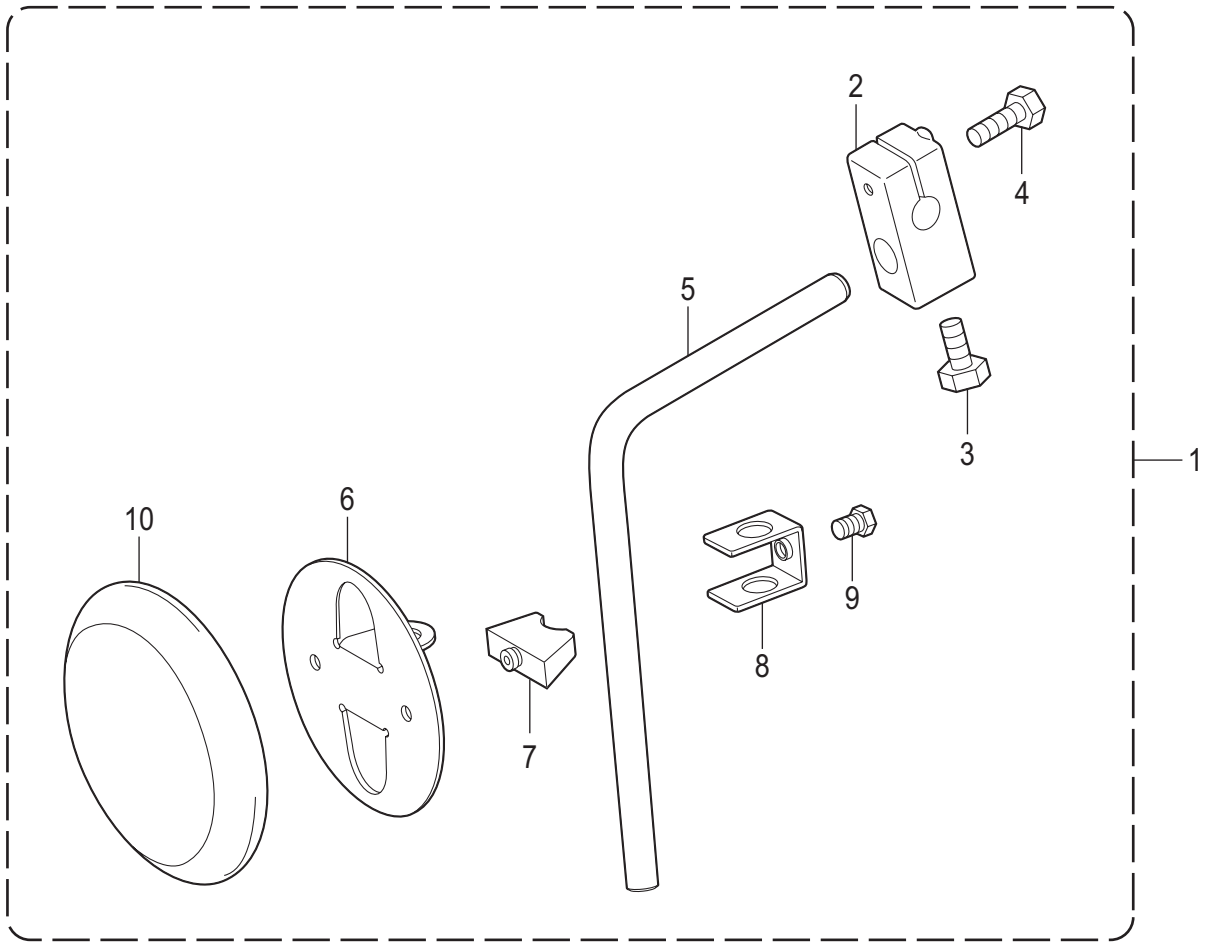
D. 送料装置 / Feed mechanism



D. 送料装置 / Feed mechanism

REF.NO	CODE	QTY	品名	NAME OF PARTS	RM
1+	*P.49-51	1	<用于3条齿> 送布牙	<For 3ROW> FEED DOG	
1+	*P.49-51	1	<用于4条齿> 送布牙	<For 4ROW> FEED DOG	
2	SB4900001	2	螺钉3	SCREW M3	
3	SB4879001	1	送布台组件	FEED BAR ASSY	
4	SB5315101	1	上下送布台轴组件	FEED LIFTING R-BAR SHAFT ASSY	
5	014300432	1	螺钉 M3X4	SET SCREW SOCKET (CP) M3X4	
6	SA1242001	1	螺钉 M5X7	SET SCREW 5X7	
7	SB4894001	1	垫圈4.2 T0.8	WASHER PLAIN 4.2 T0.8	
8+	SB5294201	1	<用于-□□3> 上下送布组件3	<For -□□3> LIFTING FEED ASSY 3	
8+	SB5297201	1	<用于-□□5> 上下送布组件5	<For -□□5> LIFTING FEED ASSY 5	
9	SB4885101	1	上下送布曲柄	LIFTING FEED CRANK	
10	SB4888101	1	抬牙叉	LIFTING FEED ARM	
11	062501016	1	螺钉 M5X10	SCREW PAN M5X10	
12	060401016	1	螺钉 M4X10	SCREW BIND M4X10	
13	SB4901001	1	垫圈4.2 T1.5	WASHER PLAIN 4.2 T1.5	
14	S23651001	2	固定螺钉 M6X6	SET SCREW SOCKET (FT) M6X6	
15	SB5314101	1	送布台短轴组件	FEED BAR SHAFT ASSY	
16	014300432	1	螺钉 M3X4	SET SCREW SOCKET (CP) M3X4	
17	SA1242001	1	螺钉 M5X7	SET SCREW 5X7	
18	SB4894001	1	垫圈4.2 T0.8	WASHER PLAIN 4.2 T0.8	
19	SB4887001	1	送布台臂	FEED ROCK BRACKET ARM	
20	SA7257001	1	螺钉 M5X12	SCREW 5X12	
21	SB4889001	1	水平送布轴	FEED ROCK SHAFT	
22	048080142	1	轴用挡圈 C8	RETAINING RING EXTERNAL C8	
23	SB4893101	1	垫圈8	WASHER PLAIN 8	
24	SB4882001	1	送布轴轴套 L	FEED SHAFT BUSH L	
25	SB4883001	1	送布轴轴套 M	FEED SHAFT BUSH M	
26	SB4884001	1	送布轴轴套 R	FEED SHAFT BUSH R	
27	012500536	3	螺钉 M5X5	SET SCREW SOCKET (FT) M5X5	
28	SB5300201	1	曲柄短连杆总组件	FEED ROCK LINK UNIT	
29	012500536	2	螺钉 M5X5	SET SCREW SOCKET (FT) M5X5	
30	S23651001	2	固定螺钉 M6X6	SET SCREW SOCKET (FT) M6X6	
31	021350106	2	螺母 M3.5	NUT 1 M3.5	
32	SB4893101	1	垫圈8	WASHER PLAIN 8	
33	SB6430001	1	脉冲马达组件	P MOTOR ASSY	
34	018401436	4	螺栓 M4X14	BOLT SOCKET M4X14	
35	018501436	4	螺栓 M5X14	BOLT SOCKET M5X14	
36	SB4892201	1	送布马达防护罩	PM COVER	
37	0A5401006	3	螺钉(带垫圈) M4X10DB	SCREW PAN (S/P WASHER) M4X10	
38	228475000	1	电线夹 1.9X80	FASTENING BAND 1.9X80	
39	149287000	2	压线板	CORD HOLDER 7N	
40	0A5401006	2	螺钉(带垫圈) M4X10DB	SCREW PAN (S/P WASHER) M4X10	
41	SA4224001	1	注意符号 30X40	MARK ATTENTION 30X40	

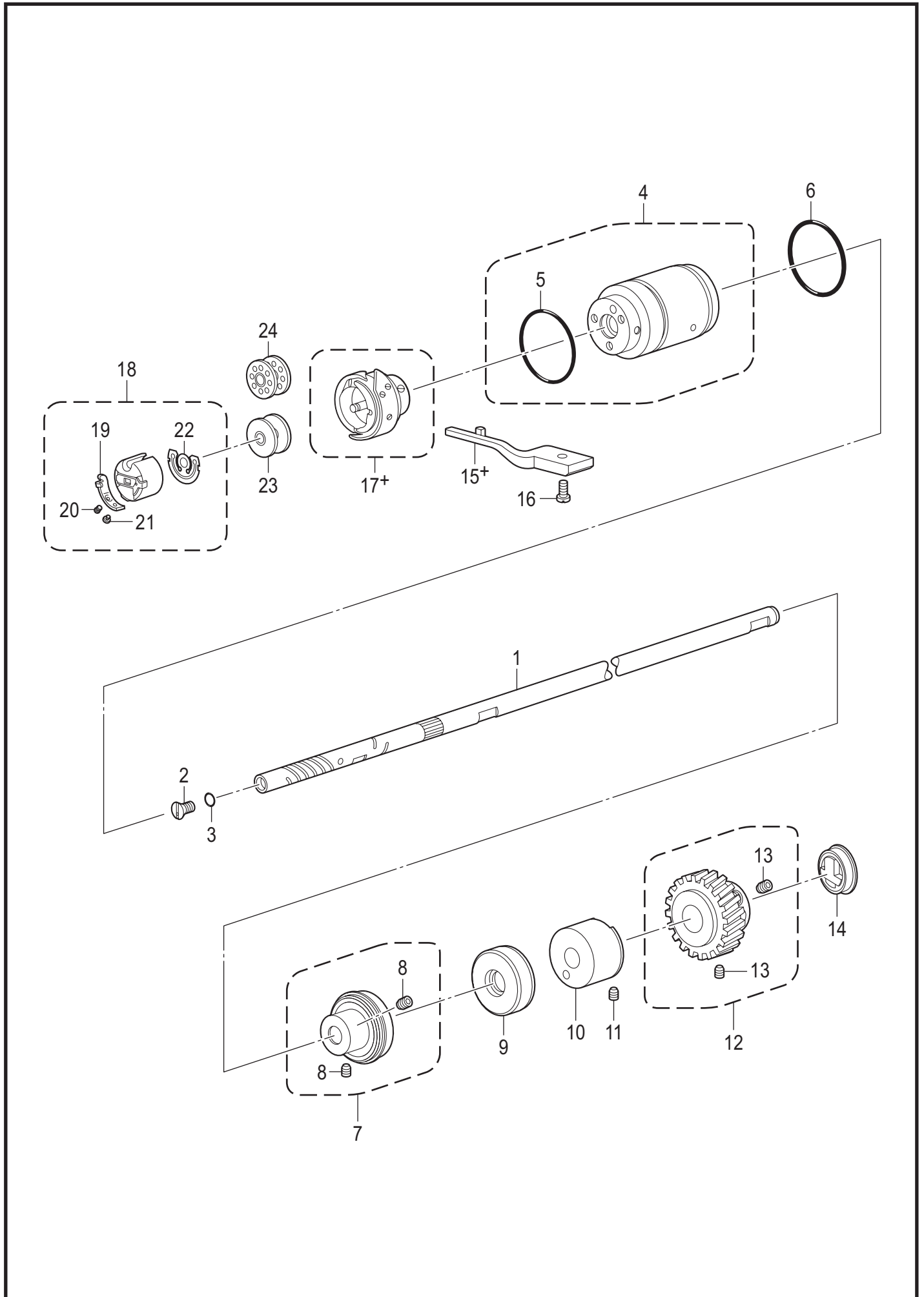
E. 膝控提升装置 / Knee lifter mechanism



E.膝控提升装置 / Knee lifter mechanism

REF.NO	CODE	QTY	品名	NAME OF PARTS	RM
1	SB3854001	1	膝控组件	KNEE LIFTER ASSY	
2	SB1603001	1	碰块弯杆接头	KNEE LIFTER BRACKET	
3	SB1604001	1	螺栓 M6X15	BOLT 6X15	
4	SB1605001	1	螺栓 M6X24	BOLT 6X24	
5	SB3480001	1	膝控弯管	KNEE LIFTER BAR	
6	SB1607001	1	膝控碰块	KNEE LIFTER PLATE	
7	SB1608001	1	膝控碰块支架	KNEE LIFTER SUPPORT	
8	SB1609001	1	碰块架	KNEE LIFTER PLATE STOPPER	
9	SB1610001	1	螺栓 M6X12	BOLT 6X12	
10	SB1611001	1	膝控碰块垫	KNEE LIFTER PLATE COVER	

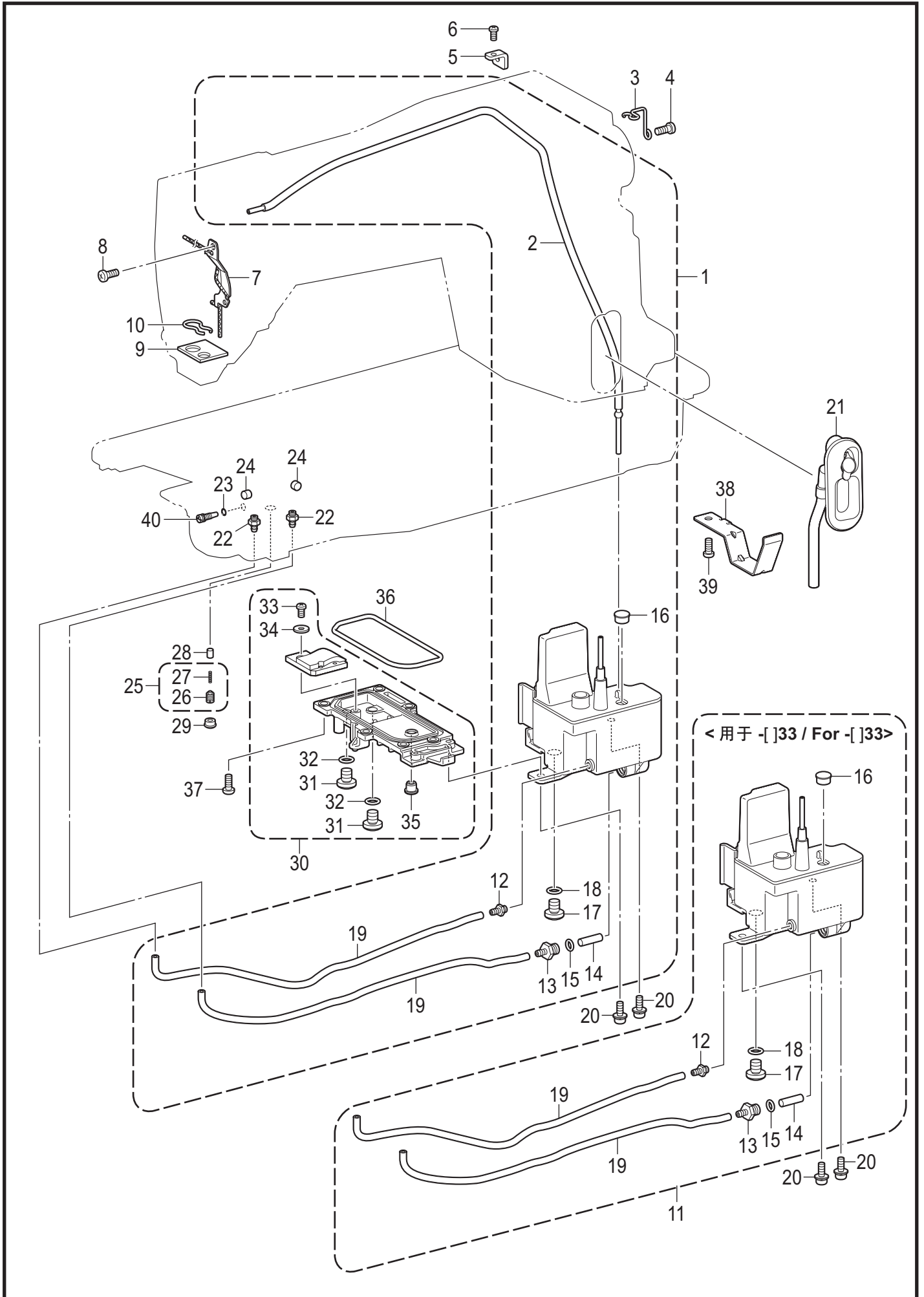
F. 旋梭装置 / Rotary hook mechanism



F.旋梭装置 / Rotary hook mechanism

REF.NO	CODE	QTY	品名	NAME OF PARTS	RM
1	SB4903001	1	旋梭轴	ROTARY HOOK SHAFT	
2	SB5269001	1	油盖螺钉组件	SCREW CAP W/HOLE ASSY	
3	081004870	1	O形圈 S4	O RING S4	
4	SB5270001	1	泵轴套组件	PUMP BUSH ASSY	
5	081025870	1	O形圈 S25	O RING S25	
6	081029870	1	O形圈 S29	O RING S29	
7	SB5272001	1	轴承轴套组件	BEARING BUSH ASSY	
8	S23651001	2	固定螺钉 M6X6	SET SCREW SOCKET (FT) M6X6	
9	SA9684001	1	油封	OIL SEAL	
10	SB4904001	1	旋梭轴齿轮轴套	ROTARY HOOK SHAFT GEAR BUSH	
11	012060636	1	螺钉 M6X6	SET SCREW SOCKET (FT) M6X6	
12	SA1286001	1	旋梭轴齿轮组件	ROTARY HOOK SHAFT GEAR ASSY	
13	S23651001	2	固定螺钉 M6X6	SET SCREW SOCKET (FT) M6X6	
14	SB5275101	1	橡皮塞组件 23.5	RUBBER CAP 23.5 ASSY	
15+	SB5041001	1	<用于-□□3> 旋梭定位钩3	<For -□□3> HOOK STOPPER 3	
15+	SB5042001	1	<用于-□05> 旋梭定位钩5	<For -□05> HOOK STOPPER 5	
16	SA8903001	1	螺钉 M4X12	SCREW M4X12	
17+	SB6568001	1	<用于-□□3> 盒装旋梭组件 SB5274	<For -□□3> ROTARY HOOK ASSY W/BOX SB5274	
17+	SB1677001	1	<用于-□05> 盒装旋梭组件 SB1678	<For -□05> ROTARY HOOK ASSY W/BOX SB1678	
18	S03245001	1	梭芯套组件	BOBBIN CASE ASSY	
19	183388001	1	梭芯套调整簧片	TENSION SPRING	
20	183389001	1	梭芯套调整螺钉	ADJUSTING SCREW	
21	183390001	1	固定螺钉	SET SCREW	
22	S03246001	1	空转防止弹簧	ANTI-SPIN SPRING	
23	146290001	1	<用于-□□3> 梭芯	<For -□□3> BOBBIN	
24	117132001	1	<用于-□05> 梭芯	<For -□05> BOBBIN	

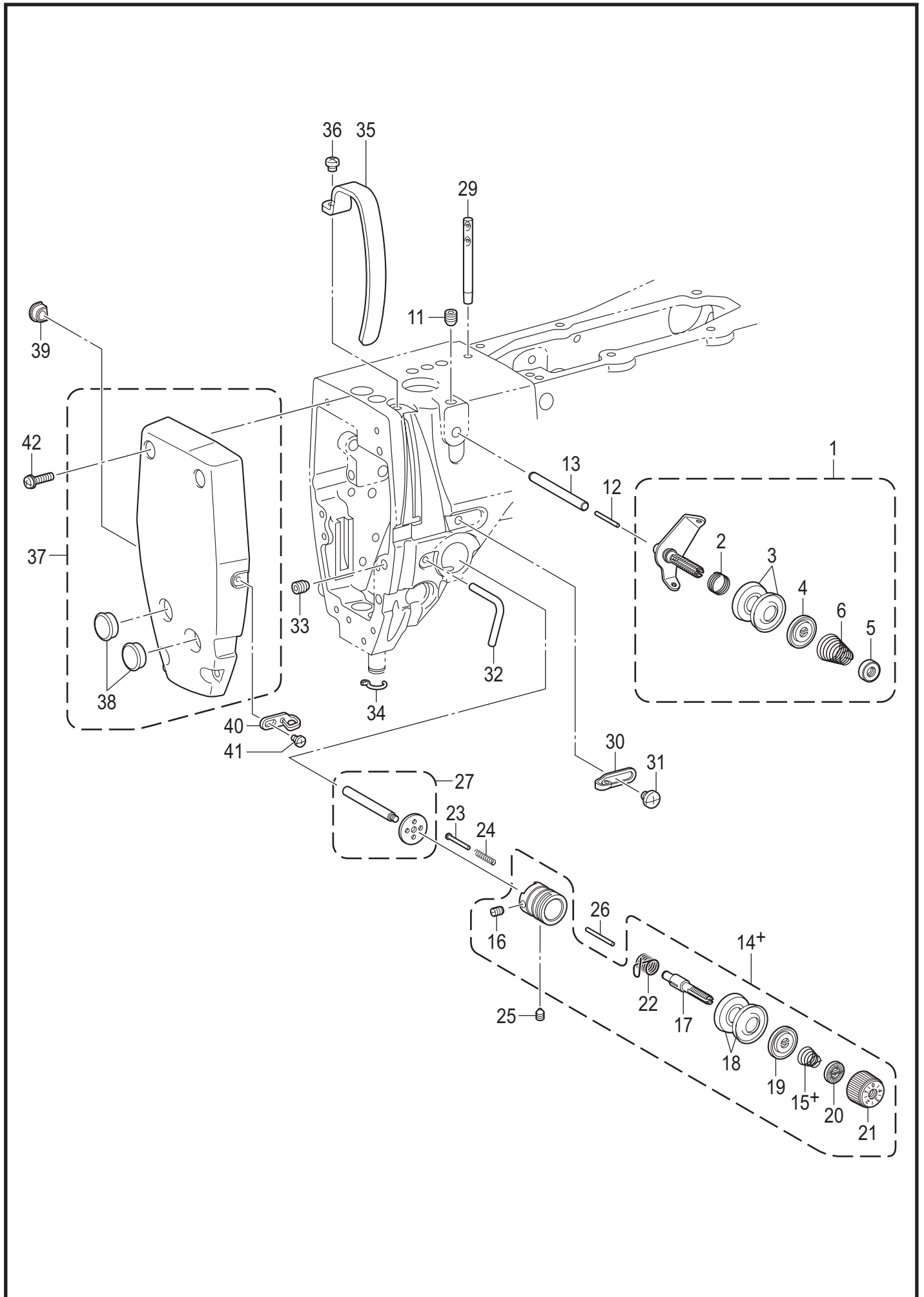
G. 供油润滑装置 / Lubrication



G. 供油润滑装置 / Lubrication

REF.NO	CODE	QTY	品名	NAME OF PARTS	RM
1	SB5276101	1	<用于-□0□> 油箱总组件	<For -□0□> OIL TANK UNIT	
2	SB5281001	1	油管组件	OIL TUBE ASSY	
3	SB4911001	1	油管支架U	TUBE HOLDER U	
4	062501216	1	螺钉 M5X12	SCREW PAN M5X12	
5	SB5002001	1	管挂钩U	TUBE HOOK U	
6	062400816	1	螺钉 M4X8	SCREW PAN M4X8	
7	SB5287001	1	油线挂钩组件	WICK HOLDER ASSY	
8	062500816	1	螺钉 M5X8	SCREW PAN M5X8	
9	SB5036001	1	针杆油毡	NEEDLE BAR FELT	
10	145737021	1	滤油毡压簧	FELT SUPPORT	
11	SB5639101	1	<用于-□33> 油箱总组件D	<For -□33> OIL TANK UNIT D	
12	S25382001	1	供油口	OIL FEEDING PIPE	
13	SA8989001	1	供油口	OIL FEEDING PIPE	
14	SA8987001	1	过滤毡	FILTER	
15	081006670	1	O形圈 PW6	O RING PW6	
16	104821001	1	橡皮塞 10.5	RUBBER CAP 10.5	
17	SA1303101	1	螺钉8	SCREW M8	
18	081008070	1	O形圈 P8	O RING P8	
19	SB5280001	2	维尼龙管(350)	VINYL TUBE (350)	
20	0A4501206	2	螺钉(带垫圈) M5X12DA	SCREW PAN (S/P WASHER) M5X12	
21	SB5284201	1	供油口组件	OIL FEEDING POCKET ASSY	
22	S25382001	2	供油口	OIL FEEDING PIPE	
23	081004870	1	O形圈 S4	O RING S4	
24	140327001	2	橡皮塞 6.3	RUBBER CAP 6.3	
25	SA7636201	1	泵盖螺钉组	PUMP CAP SCREW ASSY	
26	S25380601	1	泵盖螺钉	CAP SCREW PUMP	
27	S52764001	1	弹簧	SPRING COMPRESSION	
28	144875001	1	柱塞	PLUNGER	
29	SB4915001	1	橡皮塞	RUBBER CAP	
30	SB5286201	1	底板侧盖组件	BED BOTTOM COVER ASSY	
31	SA1303101	2	螺钉8	SCREW M8	
32	081008070	2	O形圈 P8	O RING P8	
33	062400816	1	螺钉 M4X8	SCREW PAN M4X8	
34	025040332	1	平垫圈 L4	WASHER PLAIN L 4	
35	SB5675001	1	橡皮塞8	RUBBER CAP 8	
36	SB4918001	1	侧盖垫片	BOTTOM COVER PACKING	
37	062501216	6	螺钉 M5X12	SCREW PAN M5X12	
38	SB5004001	1	油盒防护板	OIL TANK GUARD	
39	062501216	1	螺钉 M5X12	SCREW PAN M5X12	
40	SB4916001	1	供油调节螺钉	ADJUSTING SCREW	

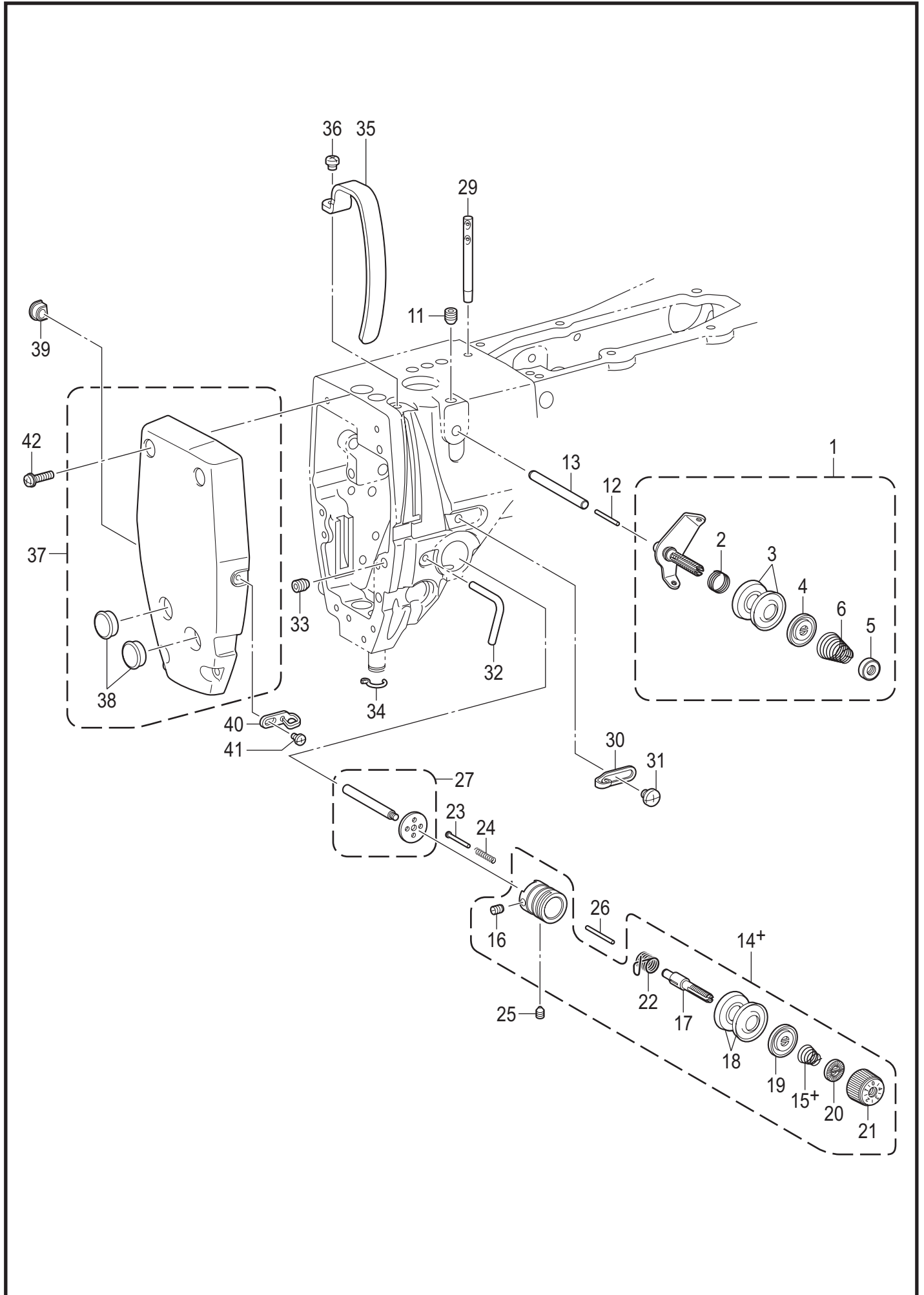
H. 穿线装置 / Threading mechanism



H. 穿线装置 / Threading mechanism

REF.NO	CODE	QTY	品名	NAME OF PARTS	RM
1	SB5265101	1	小夹线组件P	PRE-TENSION ASSY P	
2	SB4933001	1	弹簧A	THREAD GUIDE SPRING	
3	145446001	2	夹线盘	DISC TENSION	
4	159805001	1	夹线压盘	TENSION DISC PRESSER	
5	100136001	1	夹线螺母	TENSION NUT	
6	SA4146101	1	弹簧	SUB TENSION SPRING	
11	012500536	1	螺钉 M5X5	SET SCREW SOCKET (FT) M5X5	
12	SB4928001	1	松线销A	TENSION RELEASE PIN A	
13	SB4929001	1	松线杆A	TENSION RELEASE STUD A	
14+	SB5288101	1	<用于-□□3> 夹线器组件3	<For -□□3> THREAD TENSION BRACKET ASSY	
15+	SA7275001	1	夹线弹簧	TENSION SPRING	
14+	SB5289101	1	<用于-□05> 夹线器组件5	<For -□05> THREAD TENSION BRACKET ASSY	
15+	S04632101	1	夹线弹簧	TENSION SPRING	
16	100402004	1	固定螺钉 SM3.57	SET SCREW SM3.57	
17	116922201	1	夹线螺杆	TENSION STUD	
18	145446001	2	夹线盘	DISC TENSION	
19	159805001	1	夹线压盘	TENSION DISC PRESSER	
20	S12441001	1	止动垫圈	WASHER	
21	S31032002	1	压线螺母	TENSION NUT	
22	S02620401	1	挑线弹簧	THREAD TAKE-UP SPRING	
23	SB4922101	1	挑线弹簧限位板	THREAD TAKE-UP SPRING STOPPER	
24	SB4923001	1	限位弹簧	STOPPER SPRING	
25	SA1229101	1	螺钉 M6X6	SET SCREW (FT) M6X6	
26	SB4924001	1	松线销	TENSION RELEASE PIN	
27	SB5627001	1	松线杆组件	TENSION RELEASE STUD ASSY	
29	SB3595101	1	穿线杆	SPOOL PIN	
30	SA1345001	1	机壳线导向	ARM THREAD GUIDE, R	
31	060500616	1	螺钉 M5X6	SCREW BIND M5X6	
32	SB4934001	1	线导向	ARM THREAD GUIDE	
33	012500536	1	螺钉 M5X5	SET SCREW SOCKET (FT) M5X5	
34	SA7272201	1	线导向	THREAD GUIDE D	
35	SA9854001	1	挑线杆防护罩	THREAD TAKE-UP LEVER COVER	
36	062500816	1	螺钉 M5X8	SCREW PAN M5X8	
37	SB5630101	1	面板组件	FACE PLATE ASSY	
38	SA7849001	2	橡皮塞	RUBBER CAP	
39	SB4932001	1	面板橡皮塞 P	FACE PLATE RUBBER CAP P	

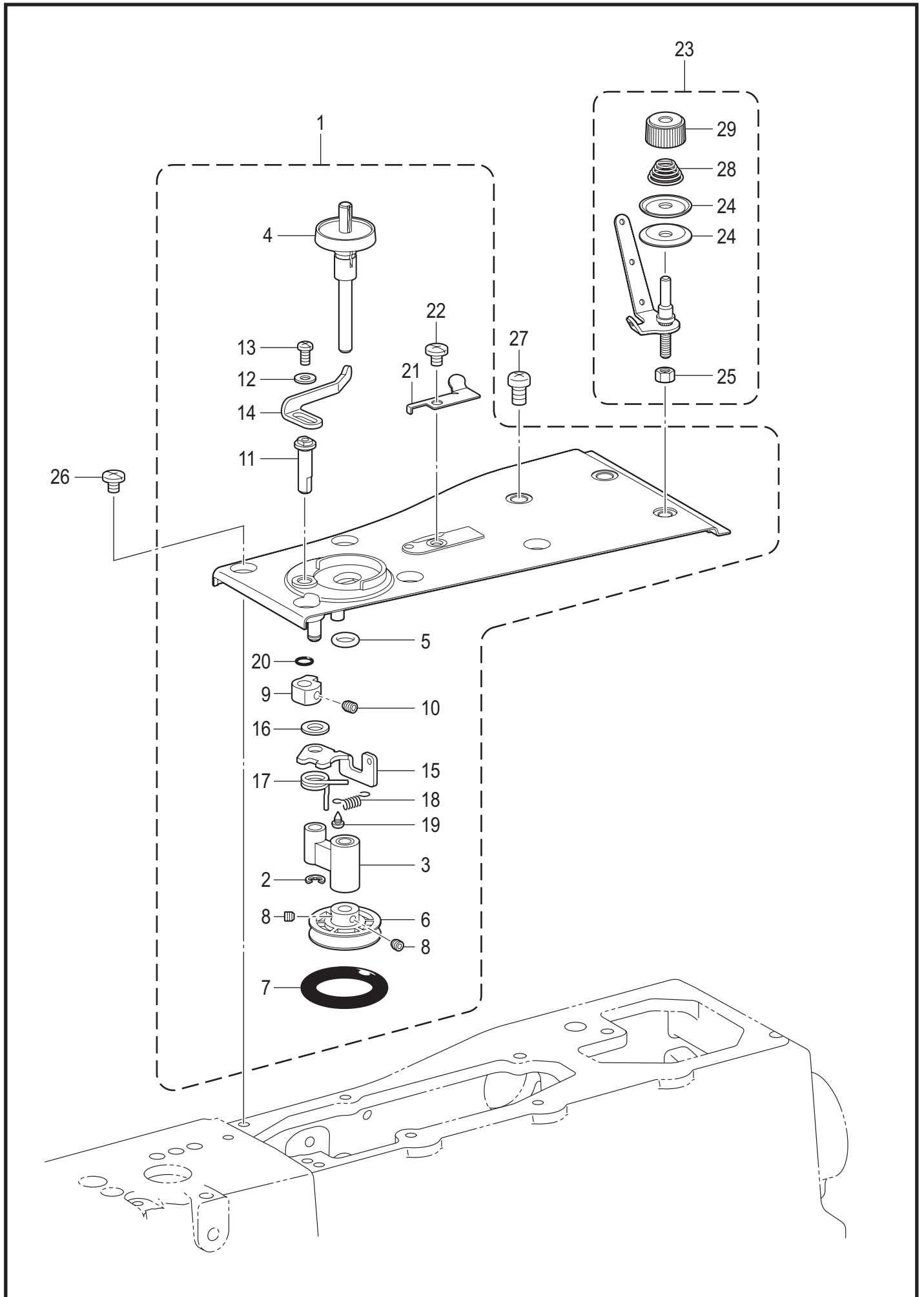
H. 穿线装置 / Threading mechanism



H. 穿线装置 / Threading mechanism

REF.NO	CODE	QTY	品名	NAME OF PARTS	RM
40	SA7271001	1	线导线	FACE PLATE THREAD GUIDE	
41	060300606	1	螺钉 M3X6	SCREW BIND M3X6	
42	0A4401606	4	螺钉(带垫圈) M4X16DA	SCREW PAN (S/P WASHER) M4X16	

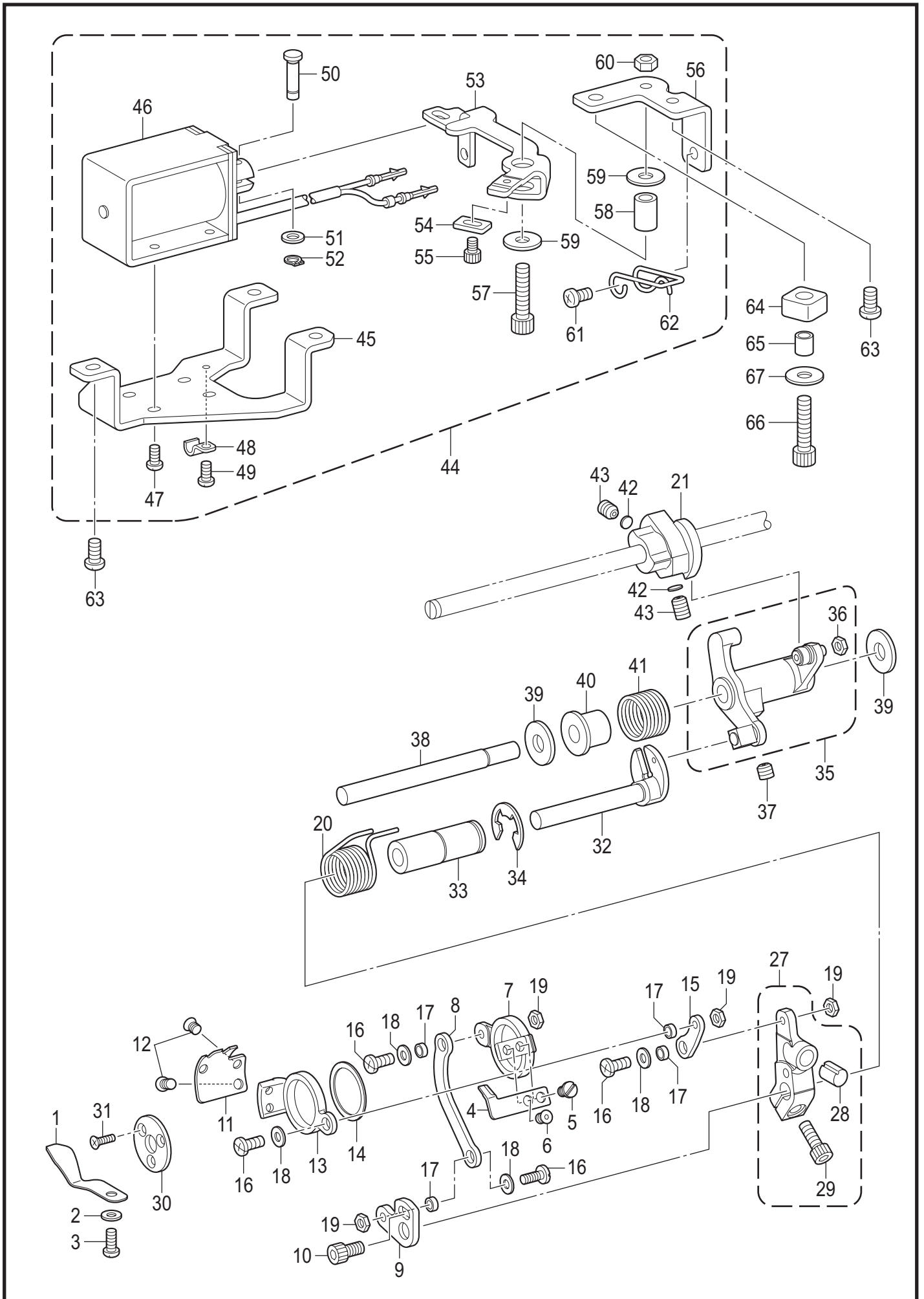
J. 绕线装置 / Bobbin winder mechanism



J. 绕线装置 / Bobbin winder mechanism

REF.NO	CODE	QTY	品名	NAME OF PARTS	RM
1	SB5652101	1	上盖大组件	TOP COVER UNIT ASSY	
2	048050342	1	挡圈 E5	RETAINING RING E5	
3	SB5009001	1	卷线轴座组件	B-WINDER SUPPORT ASSY	
4	SB5010001	1	卷线轴组件	BOBBIN WINDER SHAFT ASSY	
5	SB3540001	1	定位橡皮	STOPPER RUBBER	
6	SB4936001	1	卷线轮	BOBBIN WINDER WHEEL	
7	SB4940001	1	橡皮塞	RUBBER RING	
8	012400432	2	螺钉 M4X4	SET SCREW SOCKET (FT) M4X4	
9	SB3544001	1	梭芯夹凸轮	BOBBIN PRESSER CAM	
10	012500536	1	螺钉 M5X5	SET SCREW SOCKET (FT) M5X5	
11	SB3545101	1	梭芯夹轴	BOBBIN WINDER ARM SHAFT	
12	SB3548001	1	垫圈	WASHER	
13	062400816	1	螺钉 M4X8	SCREW PAN M4X8	
14	SB5014001	1	梭芯夹	BOBBIN PRESSER	
15	SB3551001	1	卷线杠杆	BOBBIN WINDER LEVER	
16	025060232	1	平垫圈 M6	WASHER PLAIN M 6	
17	SB3552001	1	弹簧	SPRING	
18	SB3553001	1	卷线杠杆弹簧	BOBBIN WINDER LEVER SPRING	
19	037300616	1	螺销 M3X6	TAPPING SCREW PAN V M3X6	
20	081004070	1	O形圈 P4	O RING P4	
21	SA1360101	1	切刀	KNIFE	
22	060501016	1	螺钉 M5X10	SCREW BIND M5X10	
23	SB5008001	1	卷线器夹线组件	BOBBIN WINDER TENSION ASSY	
24	145446002	2	夹线盘	DISC TENSION	
25	SB5013001	1	螺母 SM4.37	NUT 3 SM4.37	
26	060501016	5	螺钉 M5X10	SCREW BIND M5X10	
27	062061616	1	螺钉 M6X16	SCREW PAN M6X16	
28	SB5011001	1	夹线弹簧	TENSION SPRING	
29	SB5012001	1	调节螺母	THREAD TENSION NUT	

K. 切线装置 / Thread trimmer mechanism

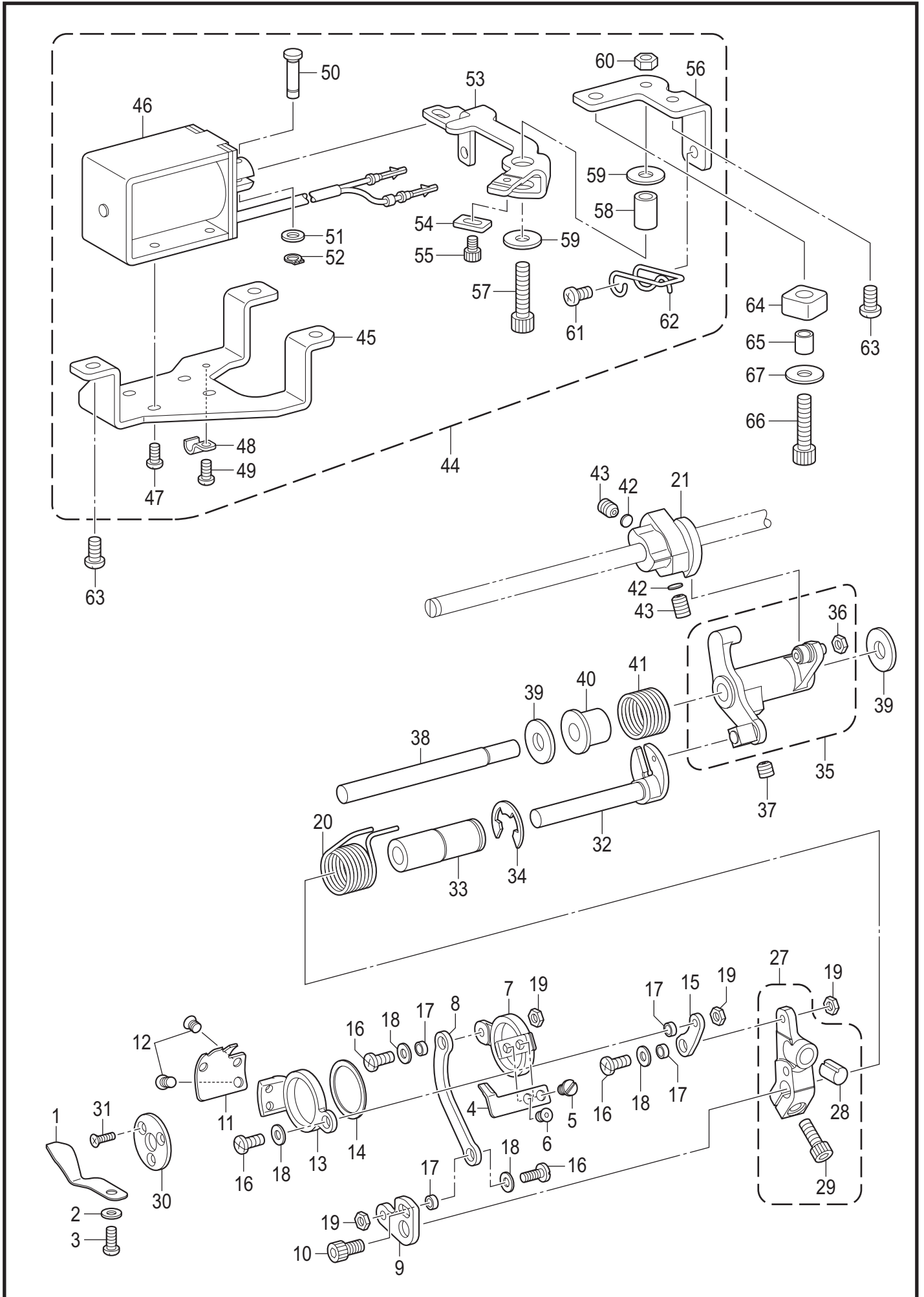


S-7300A-403

K. 切线装置 / Thread trimmer mechanism

REF.NO	CODE	QTY	品名	NAME OF PARTS	RM
1	SB4954101	1	分线器	LOWER THREAD FINGER	
2	026040236	1	平垫圈 M4	WASHER PLAIN M 4	
3	062400616	1	螺钉 M4X6	SCREW PAN M4X6	
4	SB4941001	1	上刀	UPPER KNIFE	
5	SB4943001	1	螺钉 M4.37	FLAT SCREW 4.37	
6	148537101	1	螺钉 SM4.37	SCREW, FLAT (W/SOCKET) SM4.37	
7	SB4950201	1	上切刀架	UPPER KNIFE HOLDER	
8	SB4949101	1	上切刀连杆	UPPER KNIFE CONNECTING ROD	
9	SB4948101	1	上切刀杠杆	UPPER KNIFE LEVER	
10	018501036	1	螺栓 M5X10	BOLT SOCKET M5X10	
11	SB4942101	1	下切刀	LOWER KNIFE	
12	148537101	2	螺钉 SM4.37	SCREW, FLAT (W/SOCKET) SM4.37	
13	SB4952101	1	下切刀架	LOWER KNIFE HOLDER	
14	SB4969001	1	垫圈	SPACER	
15	SB4951201	1	下切刀连杆	LOWER KNIFE CONNECTING ROD	
16	060401016	4	螺钉 M4X10	SCREW BIND M4X10	
17	SA5329001	4	管套	COLLAR	
18	100645003	4	垫圈	WASHER	
19	021400306	4	六角螺母 M4	NUT 3 M4	
20	SB4957001	1	切线手杆弹簧P	THREAD TRIMMER LEVER SPRING P	
21	SB4944001	1	切线凸轮B	THREAD TRIMMER CAM B	
27	SB5631101	1	切线器杆组件	THREAD TRIMMER LEVER ASSY	
28	SA7285101	1	手杆定位	LEVER STOPPER	
29	018501436	1	螺栓 M5X14	BOLT SOCKET M5X14	
30	SA7287001	1	切线架压板	KNIFE HOLDER PRESSER PLATE	
31	004301016	3	螺钉 M3X10	SCREW FLAT M3X10	
32	SB4955001	1	切刀驱动曲柄轴	FORKED SHAFT	
33	SB4956101	1	叉轴轴套	FORKED SHAFT BUSH	
34	SB4968001	1	挡圈 E12	RETAINING RING_E12	
35	SB5301001	1	切线凸轮曲柄总组件	THREAD TRIMMER LEVER UNIT	
36	105234003	1	螺母 SM4.37	NUT SM4.37	
37	S23651001	1	固定螺钉 M6X6	SET SCREW SOCKET (FT) M6X6	
38	SB4960001	1	切刀驱动轴	THREAD TRIMMER CAM LEVER SHAFT	
39	S25434000	2	橡皮垫圈	RUBBER CUSHION	
40	SB4962001	1	挡圈	COLLAR	
41	SB4961001	1	切线凸轮复位弹簧	SPRING EXTENSION	
42	154567000	2	衬垫 5.3	SPACER 5.3	
43	014771032	2	固定螺钉 SM6.35-40X10	SET SCREW SOCKET SM6.35-40X10	
44	SB5310101	1	切线电磁铁组件	THREAD TRIMMER SOLENOID ASSY	
45	SB4964001	1	切线电磁铁台	THREAD TRIMMER SOLENOID BASE	
46	SB5257001	1	切线电磁铁	THREAD TRIMMER SOLENOID	
47	062400816	4	螺钉 M4X8	SCREW PAN M4X8	
48	140647121	1	电线固定夹	CORD HOLDER	
49	062400816	1	螺钉 M4X8	SCREW PAN M4X8	
50	SA9716001	1	销	PIN	

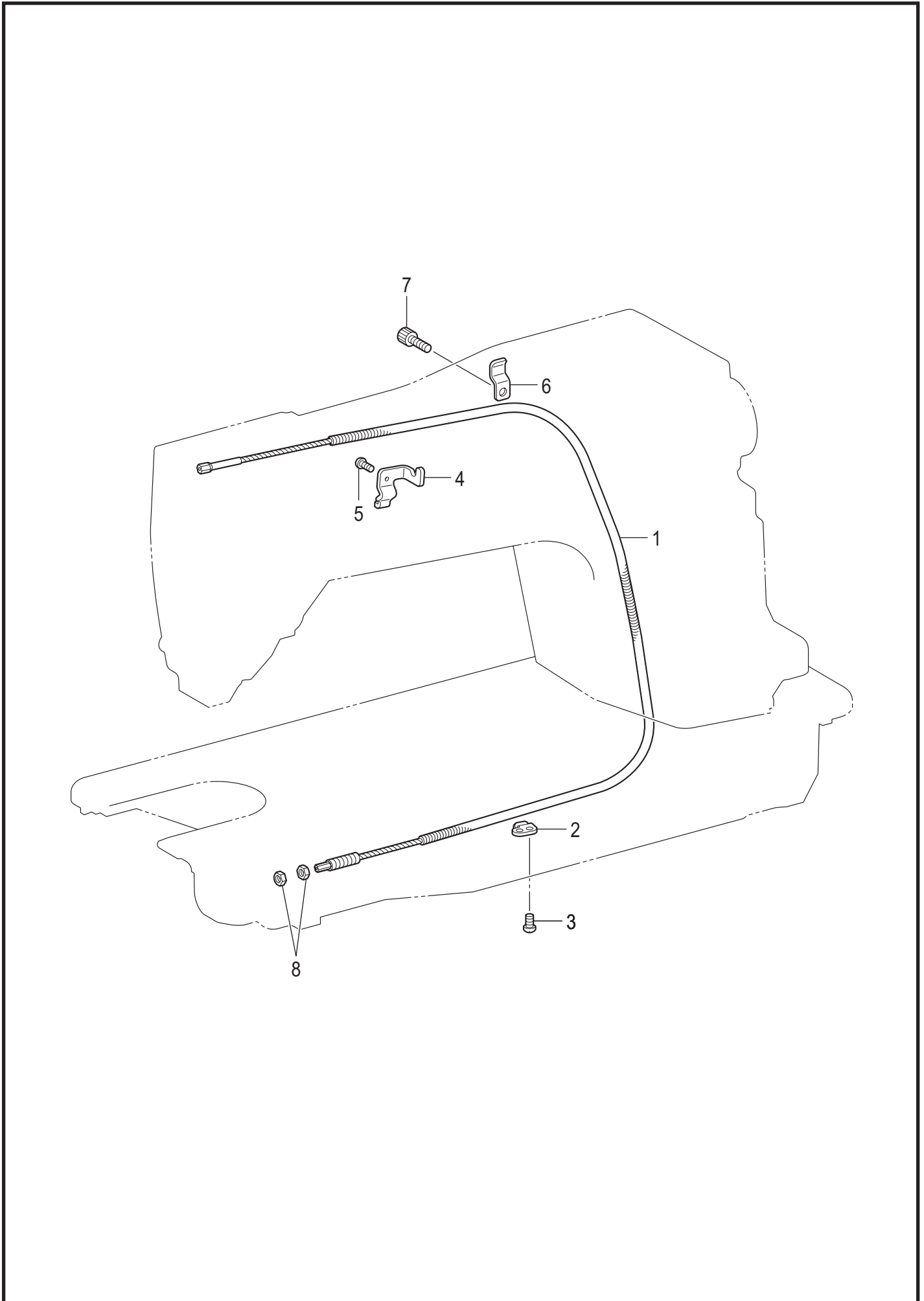
K. 切线装置 / Thread trimmer mechanism



K. 切线装置 / Thread trimmer mechanism

REF.NO	CODE	QTY	品名	NAME OF PARTS	RM
51	026050136	1	平垫圈 S5	WASHER PLAIN S 5	
52	048050142	1	轴用挡圈 C5	RETAINING RING EXTERNAL C5	
53	SB4963001	1	电磁铁杆	SOLENOID LEVER	
54	SB4965001	1	电磁铁定位板	SOLENOID STOPPER PLATE	
55	018400636	1	螺栓 M4X6	BOLT SOCKET M4X6	
56	SB4967101	1	电磁铁杆基座	SOLENOID LEVER BASE	
57	018062536	1	螺栓 M6X25	BOLT SOCKET M6X25	
58	SB5650001	1	挡圈	COLLAR	
59	SA9827001	2	平垫圈	WASHER PLAIN	
60	021060306	1	六角螺母 M6	NUT 3 M6	
61	062501216	1	螺钉 M5X12	SCREW PAN M5X12	
62	SB5673001	1	油管固定钢丝环D	TUBE HOLDER WIRE D	
63	062501016	4	螺钉 M5X10	SCREW PAN M5X10	
64	SB4966001	1	电磁铁定位橡皮	SOLENOID STOPPER RUBBER	
65	SB4953001	1	挡圈	COLLAR	
66	018062036	1	螺栓 M6X20	BOLT SOCKET M6X20	
67	025060332	1	平垫圈 L6	WASHER PLAIN L 6	

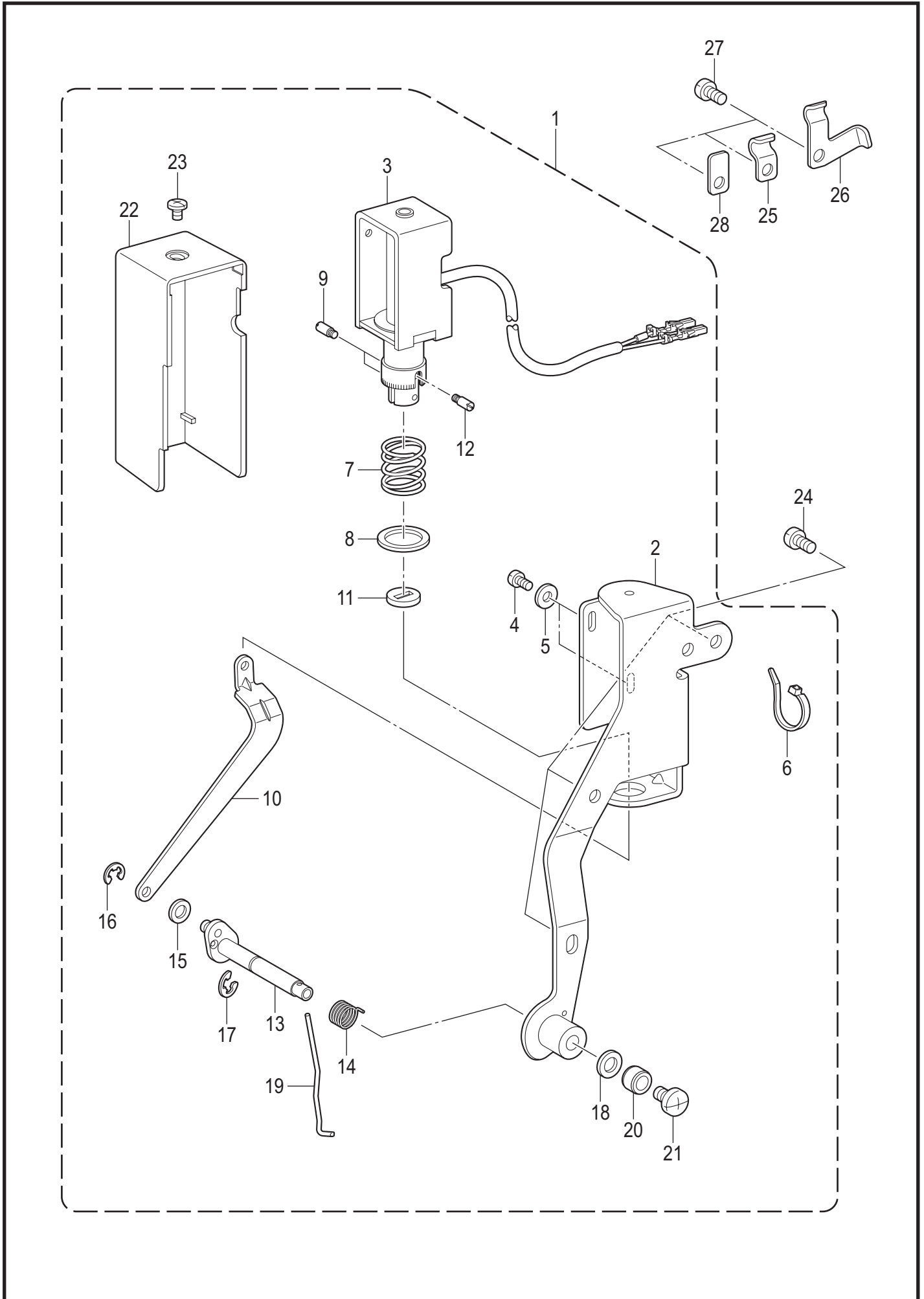
L. 松线装置 / Tension release mechanism



L. 松线装置 / Tension release mechanism

REF.NO	CODE	QTY	品名	NAME OF PARTS	RM
1	SB4970001	1	松线电线	TENSION RELEASE WIRE	
2	SB4971001	1	线夹D	WIRE HOLDER D	
3	062400816	1	螺钉 M4X8	SCREW PAN M4X8	
4	SB4972001	1	线夹U	WIRE HOLDER U	
5	062401216	1	螺钉 M4X12	SCREW PAN M4X12	
6	SA1388101	1	线夹	CORD HOLDER	
7	018500836	1	螺栓 M5X8	BOLT SOCKET M5X8	
8	110161004	2	螺母 SM4.76	NUT SM4.76	

M. 扫线装置 (-4□□) / Thread wiper mechanism (For -4□□)

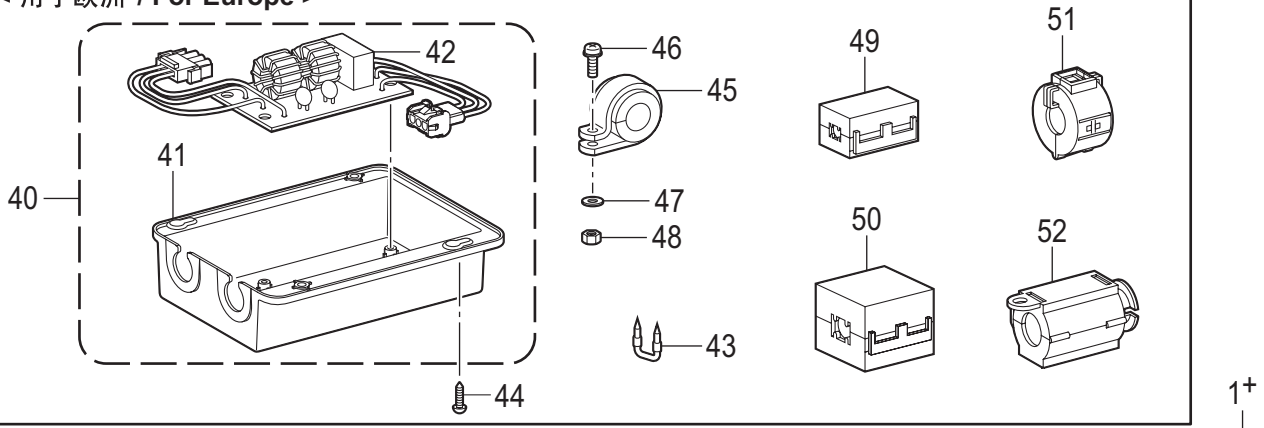


M. 扫线装置 (-4) / Thread wiper mechanism (For -4)

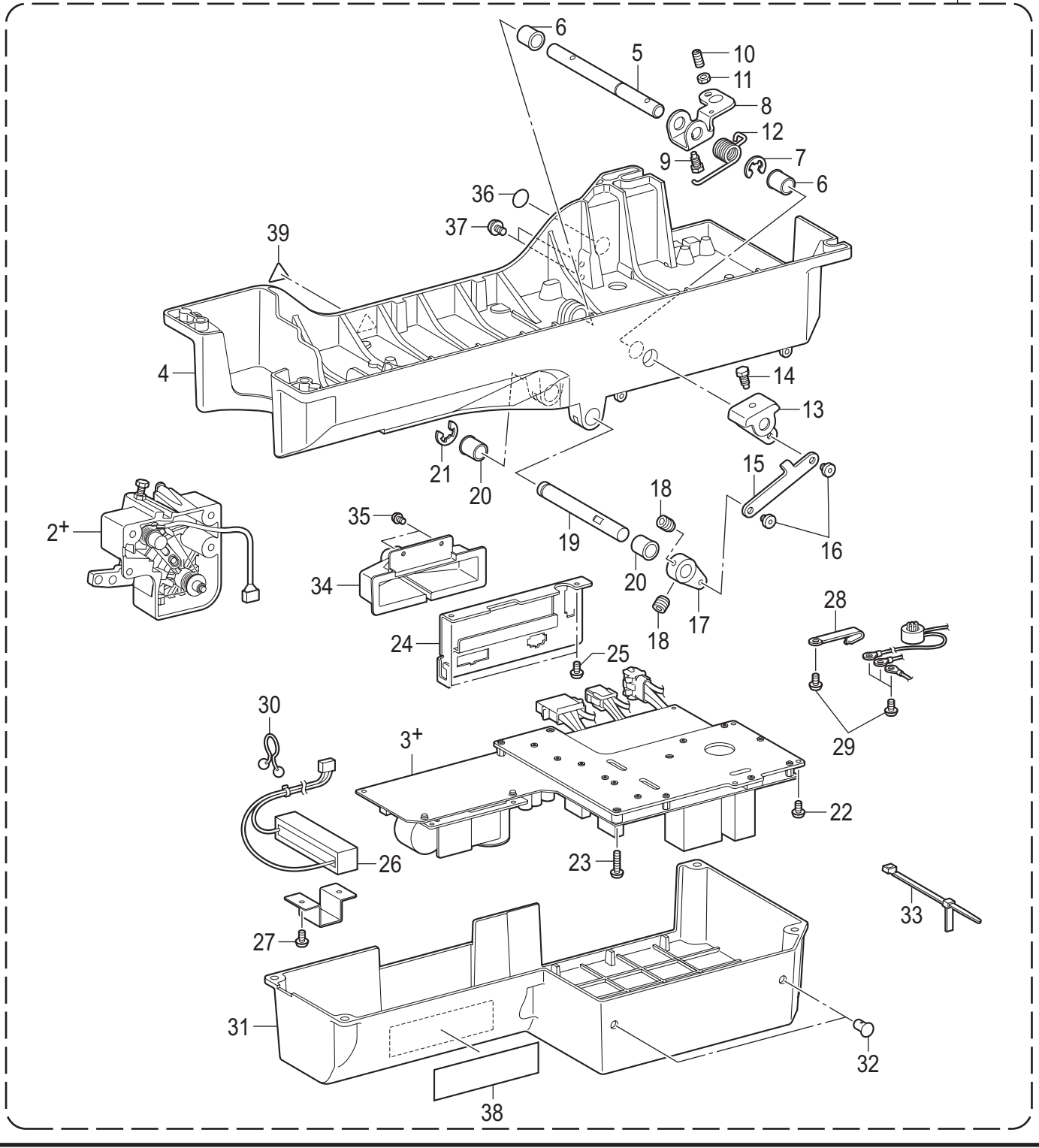
REF.NO	CODE	QTY	品名	NAME OF PARTS	RM
1	SB4846101	1	扫线装置组件	THREAD WIPER DEVICE ASSY	
2	SB5237101	1	电磁铁基座	THREAD WIPER BASE	
3	SB5258001	1	挡线电磁铁	THREAD WIPER SOLENOID	
4	062300616	2	螺钉 M3X6	SCREW PAN M3X6	
5	026030136	2	平垫圈 S3	WASHER PLAIN S 3	
6	SB4155001	1	线夹	BAND	
7	SA9771001	1	挡线弹簧	THREAD WIPER SPRING	
8	S41205001	1	平垫圈	WASHER, PLAIN	
9	S25456001	2	柱塞销	PLUNGER PIN	
10	SB5238001	1	扫线连杆	THREAD WIPER ROD	
11	S41207000	1	橡皮垫圈	SPACER RUBBER	
12	S25456001	1	柱塞销	PLUNGER PIN	
13	SB5239001	1	扫线曲轴组件	THREAD WIPER CRANK ASSY	
14	SA9352001	1	弹簧	WIPER SPRING	
15	110735022	1	垫圈	WASHER	
16	048030342	1	挡圈 E3	RETAINING RING E3	
17	048040342	1	挡圈 E4	RETAINING RING E4	
18	SA8085001	1	垫圈	WASHER	
19	SA9779001	1	扫线杆	THREAD WIPER	
20	146288021	1	挡线轴挡圈	THREAD WIPER STUD COLLAR	
21	060400516	1	螺钉 M4X5	SCREW BIND M4X5	
22	SB5242001	1	电磁铁盖	SOLENOID COVER	
23	060400516	1	螺钉 M4X5	SCREW BIND M4X5	
24	062500816	3	螺钉 M5X8	SCREW PAN M5X8	
25	SA2689101	1	线夹	CORD HOLDER	
26	SB5306001	1	线夹U	CORD HOLDER U	
27	062500816	3	螺钉 M5X8	SCREW PAN M5X8	
28	SB5028001	1	线夹	CORD HOLDER	

N1. 控制箱 / Control box

< 用于欧洲 / For Europe >



1+

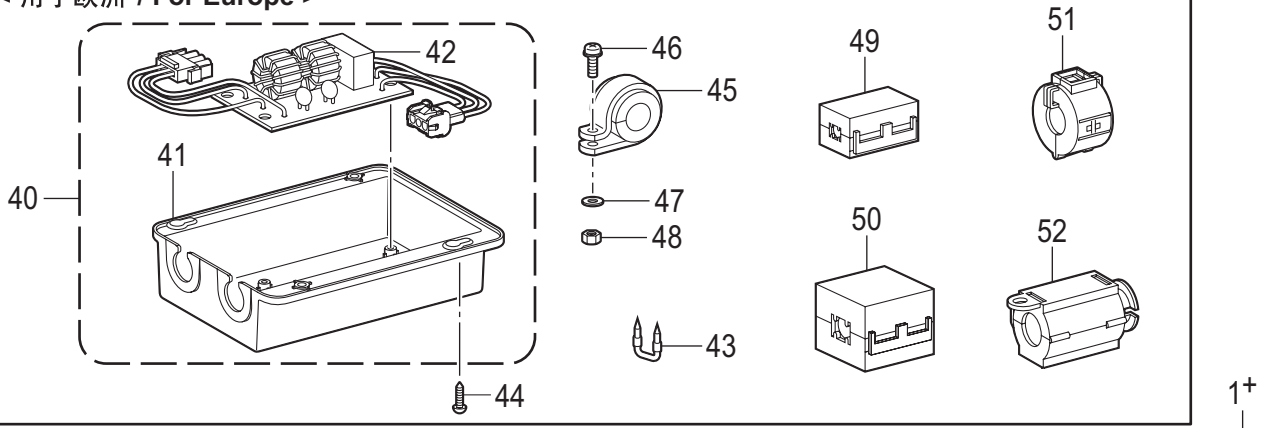


N1. 控制箱 / Control box

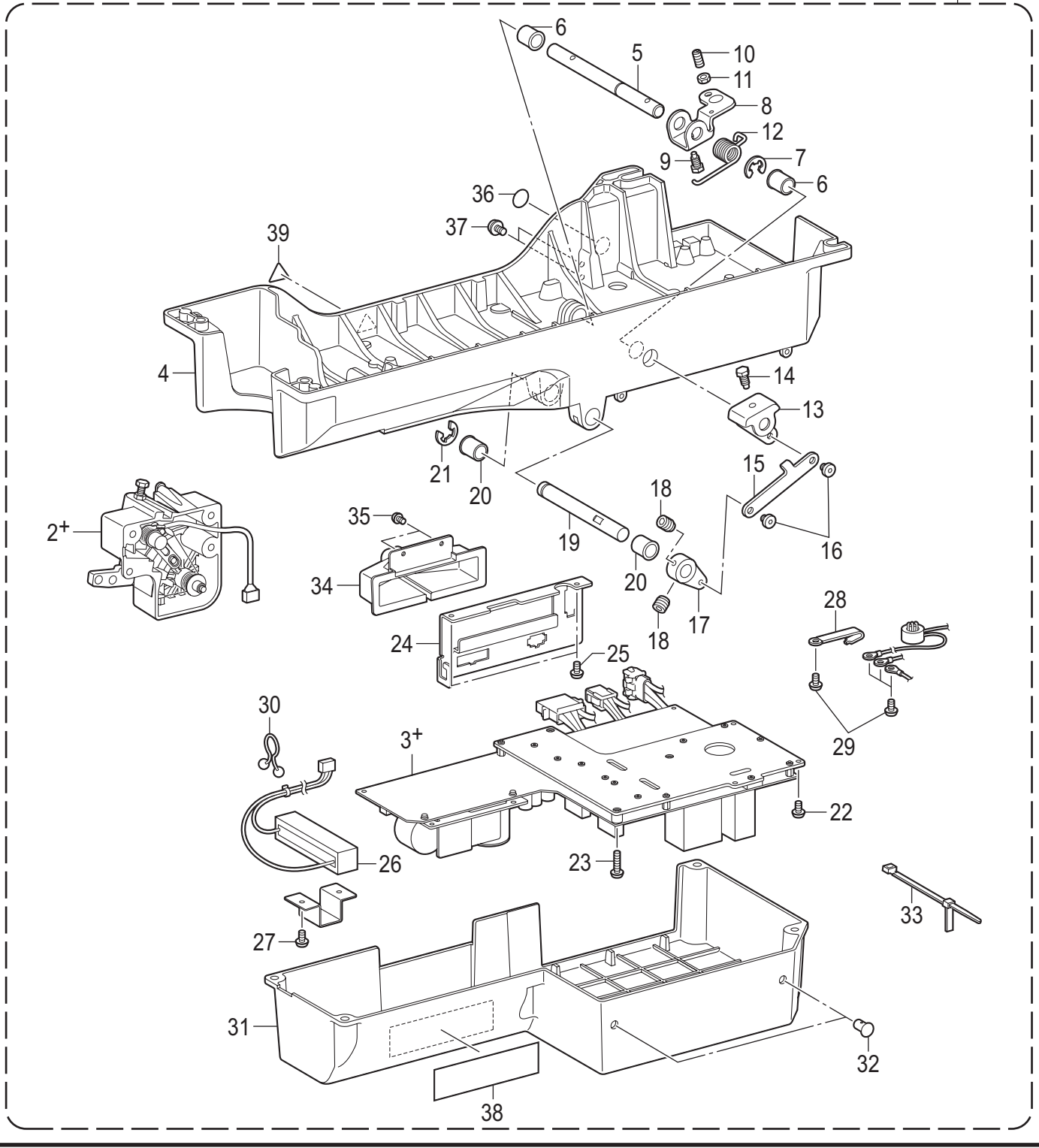
REF.NO	CODE	QTY	品名	NAME OF PARTS	RM
			<用于日本、一般出口>	<For Japan and General export>	
1+	SB6454001	1	备用7300A控制箱组件 J/A	7300A BOX ASSY J/A SUPPLY	
2+	SB3817401	1	踏板控制器组件 (EX)	TREADLE UNIT-EX	
3+	SB6457001	1	备用主基板组件	MAIN PCB ASSY SUPPLY	
			<用于中国>	<For China>	
1+	SB6453001	1	备用7300A控制箱组件 CN	7300A BOX ASSY CN SUPPLY	
2+	SB3816101	1	踏板控制器组件 (CN)	TREADLE UNIT-CN	
3+	SB6457001	1	备用主基板组件	MAIN PCB ASSY SUPPLY	
			<用于美洲>	<For the Americas>	
1+	SB6455001	1	备用7300A控制箱组件 US	7300A BOX ASSY US SUPPLY	
2+	SB4587301	1	踏板控制器组件 (US)	TREADLE UNIT-US	
3+	SB6457001	1	备用主基板组件	MAIN PCB ASSY SUPPLY	
			<用于欧洲>	<For Europe>	
1+	SB6456001	1	备用7300A控制箱组件 CE	7300A BOX ASSY CE SUPPLY	
2+	SB4587301	1	踏板控制器组件 (US)	TREADLE UNIT-US	
3+	SB6458001	1	备用主基板组件 (CE)	MAIN PCB ASSY CE SUPPLY	
4	SB4973101	1	侧盖	BOTTOM COVER	
5	SB4976001	1	膝控轴 R	KNEE LIFTER SHAFT R	
6	149578020	2	轴套	BUSH	
7	146293001	1	挡圈 E10	RETAINING RING E10	
8	SB4978001	1	膝控 R	KNEE LIFTER R	
9	SB5034001	1	螺栓 5.95X13	BOLT SM5.95X13	
10	SB3587001	1	固定螺钉 SM5.95	SET SCREW SM5.95	
11	100022004	1	螺母 SM5.95	NUT SM5.95	
12	SB4979001	1	复位弹簧	TWIST SPRING	
13	SB4980001	1	膝控 F	KNEE LIFTER F	
14	SB3586001	1	螺栓 SM5.95	BOLT SM5.95	
15	SB4981101	1	膝控连杆	KNEE LIFTER CONNECTING ROD	
16	SA1179001	2	轴位螺钉 M5	SHOULDER SCREW M5	
17	SB4982101	1	膝控杠杆D	KNEE LIFTER LEVER D	
18	012060636	2	螺钉 M6X6	SET SCREW SOCKET (FT) M6X6	
19	SB4977101	1	膝控轴 L	KNEE LIFTER SHAFT L	
20	149578020	2	轴套	BUSH	
21	146293001	1	挡圈 E10	RETAINING RING E10	
22	0A4401006	7	螺钉(带垫圈) M4X10DA	SCREW PAN (S/P WASHER) M4X10	
23	0A4402006	3	螺钉(带垫圈) M4X20DA	SCREW PAN (S/P WASHER) M4X20	
24	SB4975001	1	插头安装板	CONNECTOR SETTING PLATE	
25	0A4401006	2	螺钉(带垫圈) M4X10DA	SCREW PAN (S/P WASHER) M4X10	
26	SB3665001	1	电阻组件 R40/220	CEMENT RESISTOR ASSY 40/220	
27	0A4401006	2	螺钉(带垫圈) M4X10DA	SCREW PAN (S/P WASHER) M4X10	
28	SB3837001	1	固定用线夹	WIRE CLIP	
29	0A4401006	4	螺钉(带垫圈) M4X10DA	SCREW PAN (S/P WASHER) M4X10	
30	J04164001	1	Ω形夹子 OLS-80	CLAMP OLS-80	
31	SB4974101	1	箱盖	BOX COVER	
32	SB3872001	2	箱盖销	BOX COVER PIN	
33	SB4155001	4	线夹	BAND	
34	SB5035201	1	插头套	CONNECTOR CAP	
35	0A4401006	2	螺钉(带垫圈) M4X10DA	SCREW PAN (S/P WASHER) M4X10	
36	S37060001	1	接地标记	LABEL, GROUNDING	
37	0A4401006	2	螺钉(带垫圈) M4X10DA	SCREW PAN (S/P WASHER) M4X10	
38	SA9725001	1	感电标签 36 X 150	LABEL ELECTRICAL SHOCK 36X150	
39	SA9957002	1	警告标记	INJURY MARK	
			<用于欧洲>	<For Europe>	
40	SB6402001	1	CE过滤器塑料袋组件	CE FILTER BAG ASSY	
41	SA9564001	1	CE滤波器座罩	CE FILTER CASE	
42	SB6391001	1	CE滤波器基板组件	CE FILTER PCB ASSY	
43	200190001	5	U形卡钉	STAPLE 10X20	
44	032461606	4	木螺钉 M4.5X16	WOOD SCREW ROUND 2 M4.5X16	
45	S52164000	2	衰减器 NFC-28	CORE:NFC-28	
46	0A5401005	2	螺钉(带垫圈) M4X10DB	SCREW PAN (S/P WASHER) M4X10	

N1. 控制箱 / Control box

< 用于欧洲 / For Europe >



1+

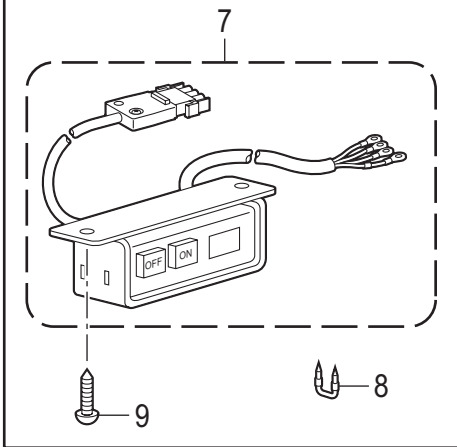


N1. 控制箱 / Control box

REF.NO	CODE	QTY	品名	NAME OF PARTS	RM
47	025040236	2	平垫圈 M4	WASHER PLAIN M4	
48	021400106	2	六角螺母 M4	NUT 1 M4	
49	S52162000	1	衰减器 NF-65	CORE, NF-65	
50	S52163000	4	衰减器 NF-130	CORE, NF-130	
51	SB4803001	2	衰减器 K3NFR-10BK2	CORE:K3NFR-10BK2	
52	J02729001	1	EMC衰减器 E2130MRC	EMC CORE E2130MRC	

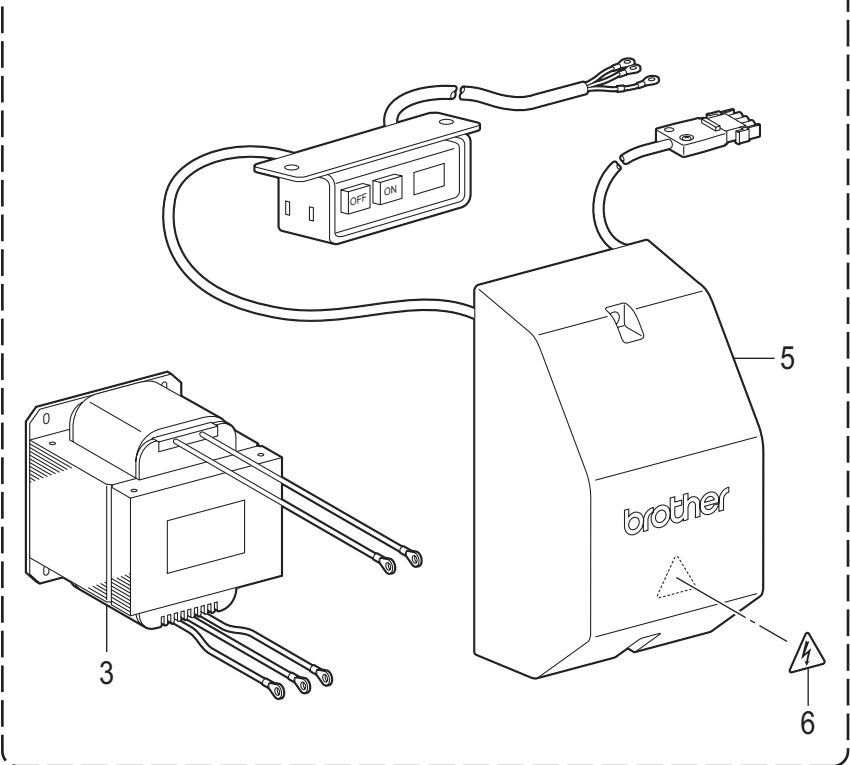
N2. 控制箱 / Control box

< 用于美洲 / For the Americas >



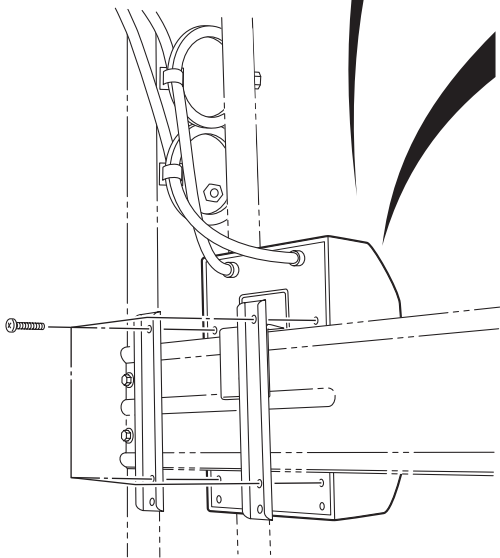
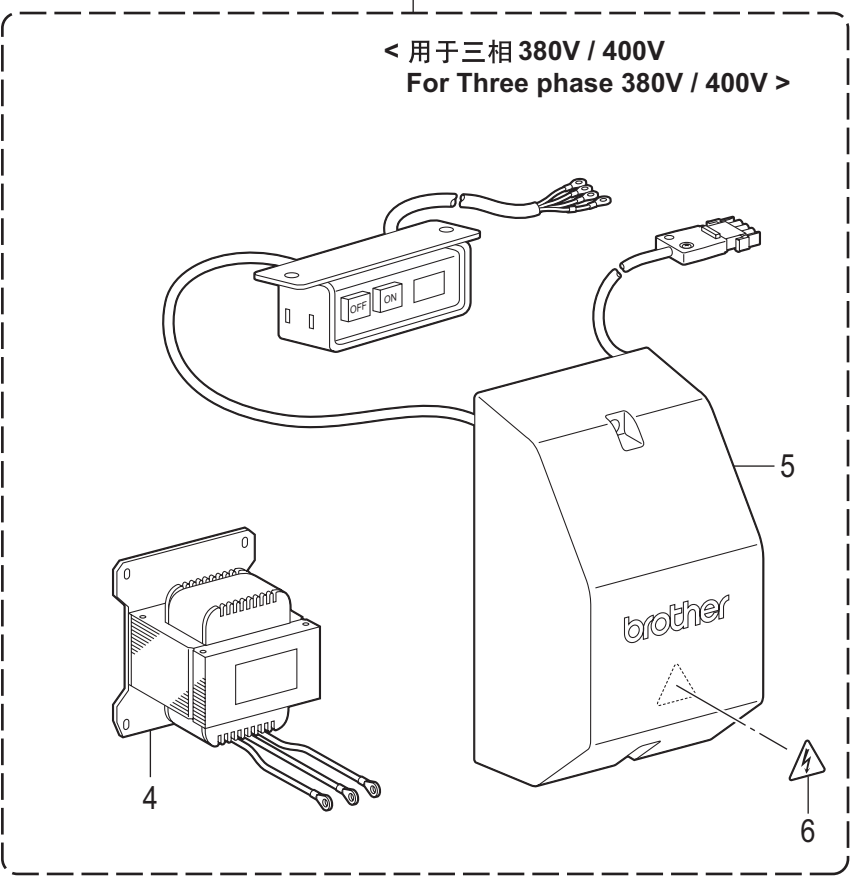
1+

< 用于单相 100V / 110V
For Single phase 100V / 110V >



2+

< 用于三相 380V / 400V
For Three phase 380V / 400V >

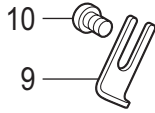


N2. 控制箱 / Control box

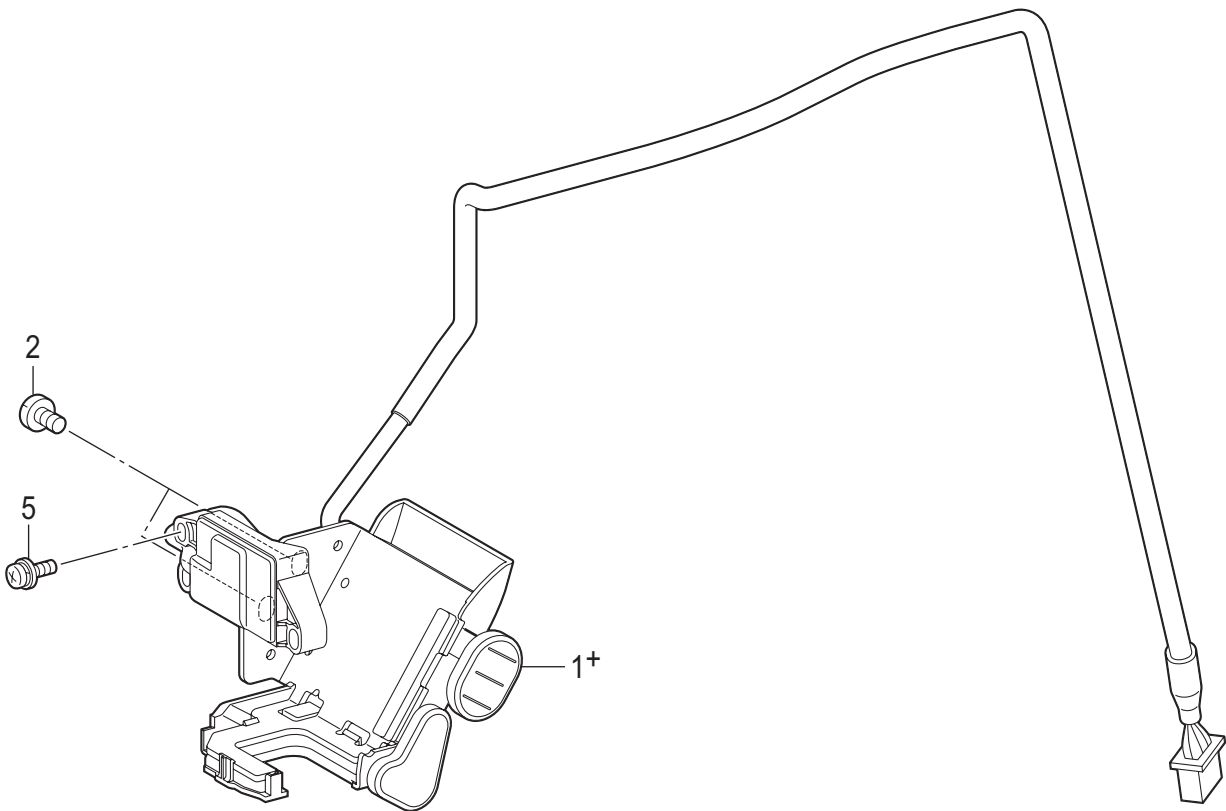
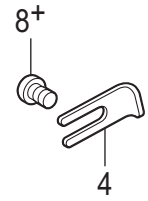
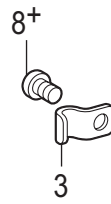
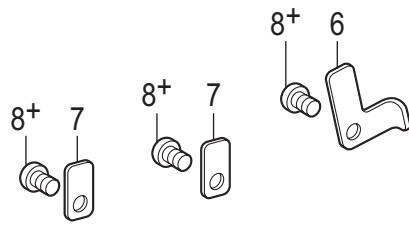
REF.NO	CODE	Q'TY	品名	NAME OF PARTS	RM
1+	BMP3010-0000000-AST1	1	<用于100V> 变压器箱	<For 100V> TRANSFORMER BOX	
1+	BMP3010-0000000-2ST1	1	<用于110V> 变压器箱	<For 110V> TRANSFORMER BOX	
2+	BMP3010-0000000-3ST4	1	<用于380V> 变压器箱	<For 380V> TRANSFORMER BOX	
2+	BMP3010-0000000-4ST4	1	<用于400V> 变压器箱	<For 400V> TRANSFORMER BOX	
3	SA9923101	1	<用于单相 100V/110V> 变压器 100/220V	<For single phase 100V/110V> TRANSFORMER 100/110/220V	
4	SA9901101	1	<用于三相 380V/400V> 变压器 400/230V	<For three phase 380V/400V> TRANSFORMER 400/230V	
5	SA9896001	1	变压器罩盖	TR BOX COVER	
6	SA9914001	1	感电标签 25 X 28	LABEL ELECTRICAL SHOCK 25X28	
7	SB4531001	1	<用于美洲> 开关箱塑料袋组件	<For the Americas> SWBOX BAG ASSY	
8	200190001	5	U形卡钉	STAPLE 10X20	
9	032461606	2	木螺钉 M4.5X16	WOOD SCREW ROUND 2 M4.5X16	

P. 倒缝开关装置 / Quick reverse switch mechanism

< 用于 -3□□ / For -3□□ >



< 用于 -3□□ / For -3□□ >

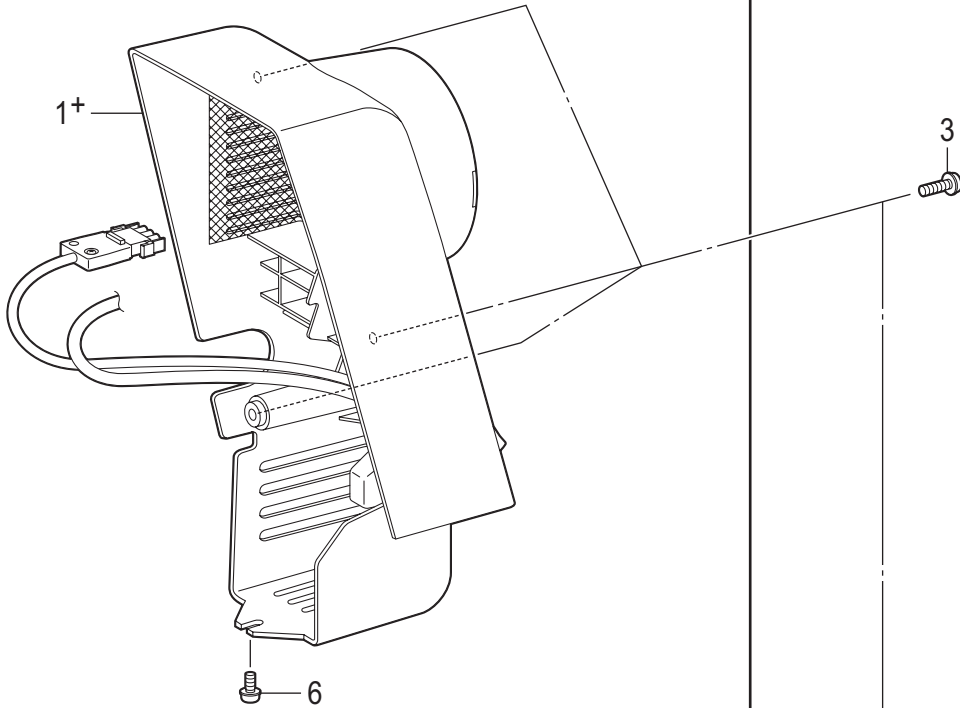


P. 倒缝开关装置 / Quick reverse switch mechanism

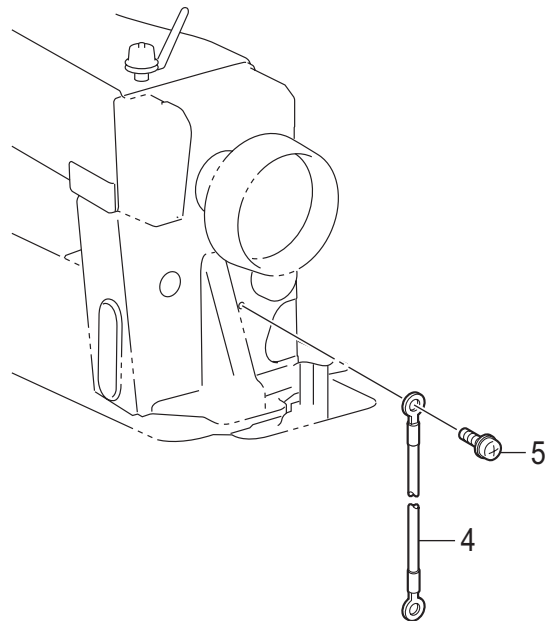
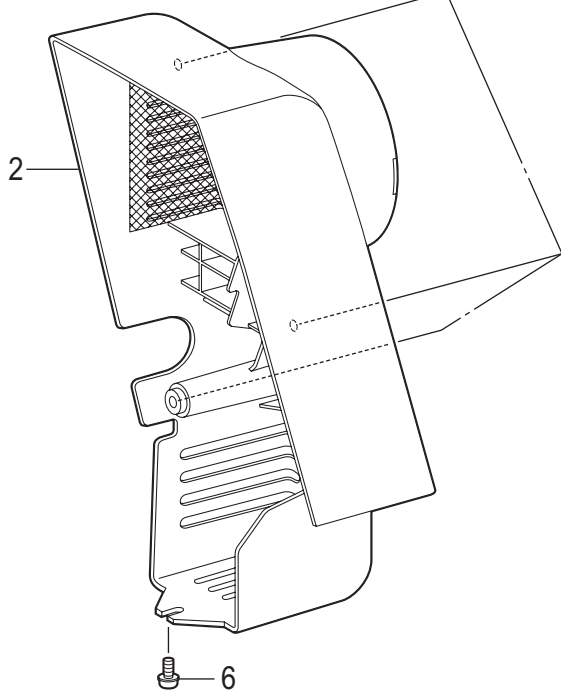
REF.NO	CODE	QTY	品名	NAME OF PARTS	RM
1+	SB6237101	1	<用于 中国以外> 开关组件P EX	<Except China> SWITCH ASSY P EX	
1+	SB5663401	1	<用于 中国> 开关组件P	<For China> SWITCH ASSY P	
2	060501016	2	螺钉 M5X10	SCREW BIND M5X10	
3	SA2689101	1	线夹	CORD HOLDER	
4	SB5025001	1	线夹D	CORD HOLDER D	
5	0A4401606	3	螺钉(带垫圈) M4X16DA	SCREW PAN (S/P WASHER) M4X16	
6	SB5024001	1	<用于-3□□> 线夹U	<For -3□□> CORD HOLDER U	
7	SB5028001	2	线夹	CORD HOLDER	
8+	062500816	5	螺钉 M5X8	SCREW PAN M5X8	
8+	062500816	2	<用于-4□□> 螺钉 M5X8	<For -4□□> SCREW PAN M5X8	
9	SB5025001	1	<用于-3□□> 线夹D	<For -3□□> CORD HOLDER D	
10	062500816	1	螺钉 M5X8	SCREW PAN M5X8	

Q. 马达罩盖装置 / Motor cover

< 用于日本、一般出口 / For Japan and General export >
< 用于中国 / For China >



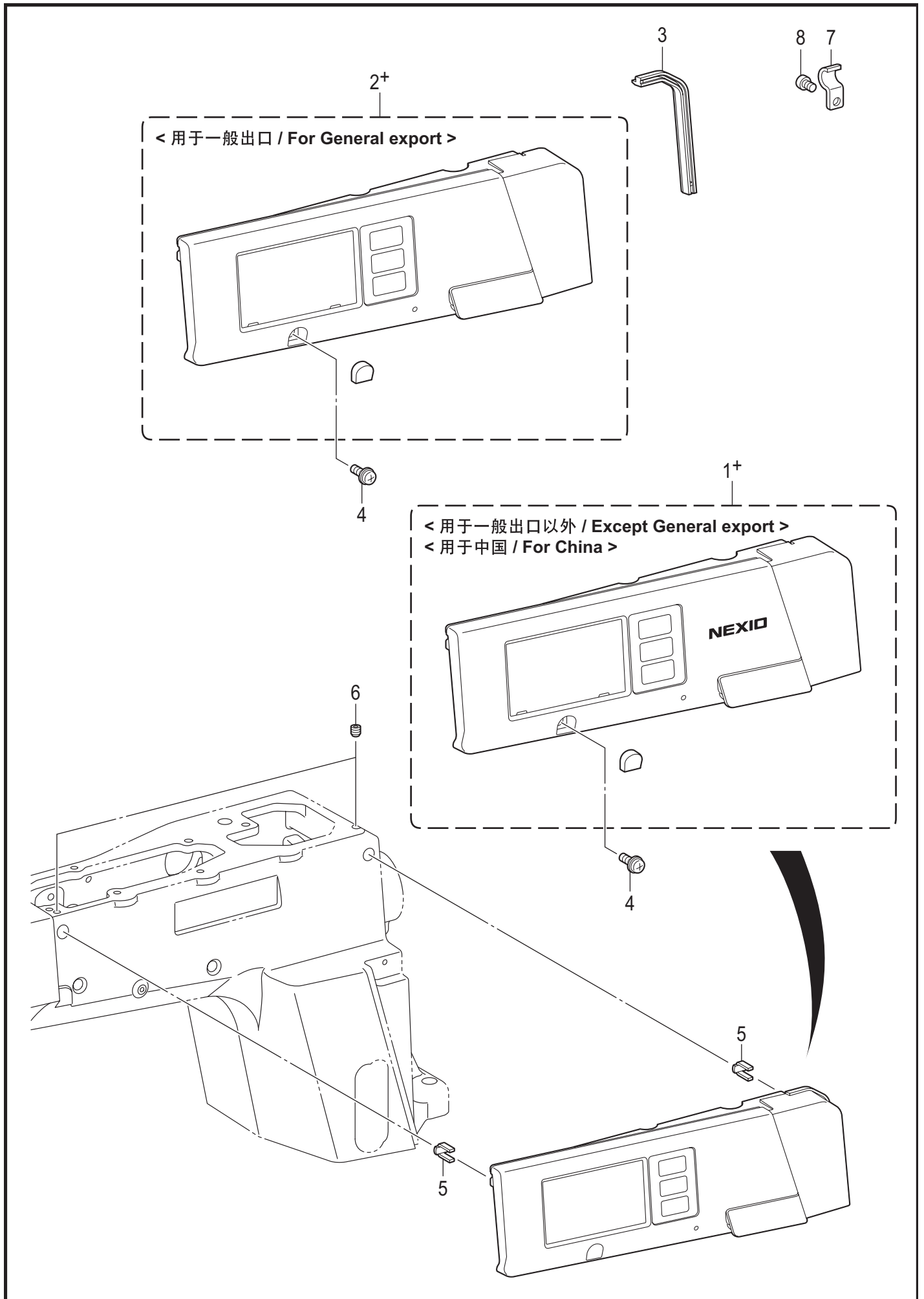
< 用于欧洲、美洲 / For Europe and the Americas >



Q. 马达罩盖装置 / Motor cover

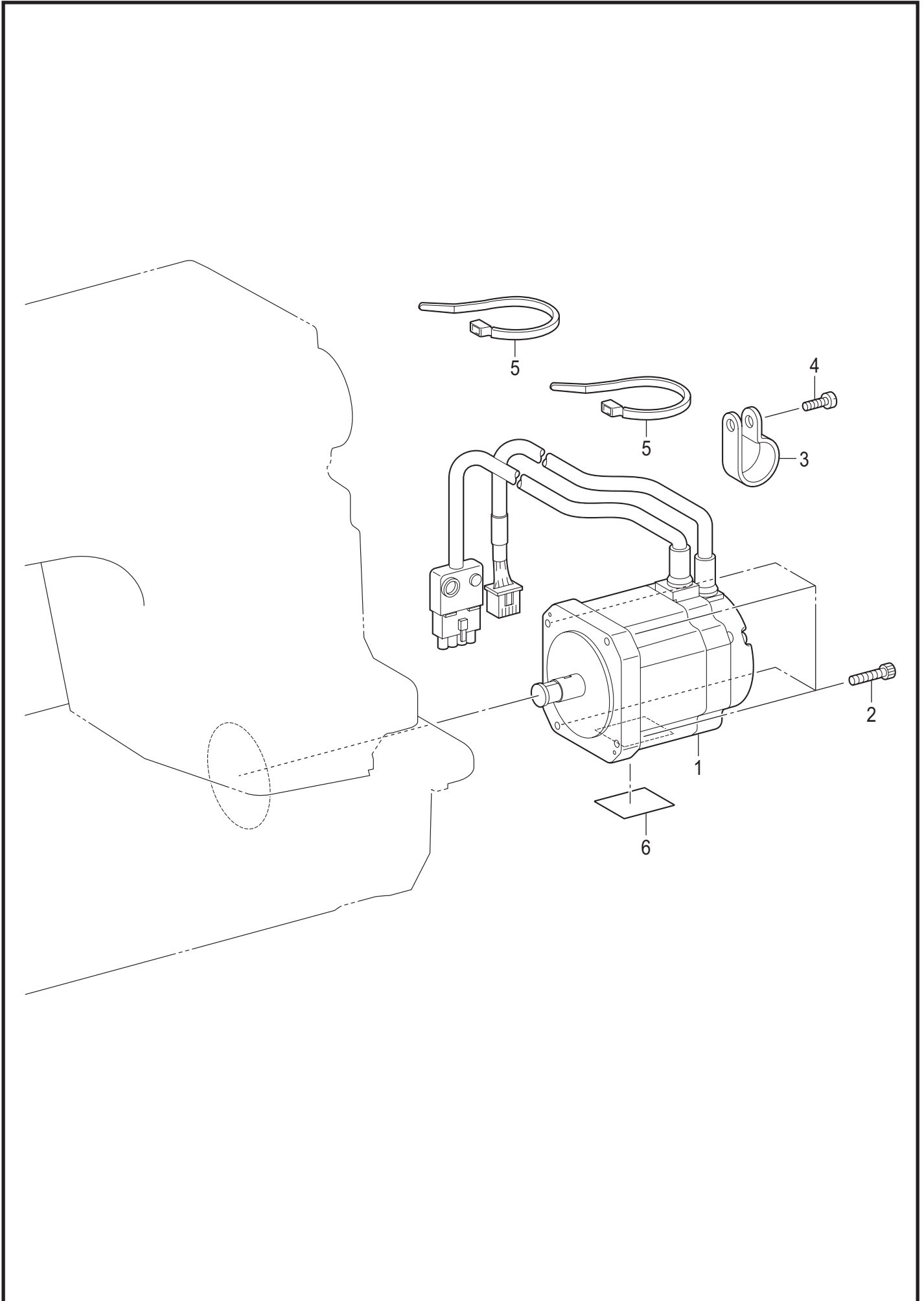
REF.NO	CODE	QTY	品名	NAME OF PARTS	RM
1+	SB5645101	1	<用于日本、一般出口> 皮带轮罩组件 J/A	<For Japan and General export> PULLEY COVER ASSY J/A	
1+	SB5267101	1	<用于中国> 皮带轮罩组件 C	<For China> PULLEY COVER ASSY C	
2	SB5646101	1	<用于欧洲、美洲> 皮带轮罩 U/E	<For Europe and the Americas> PULLEY COVER U/E	
3	0A4501606	3	螺钉(带垫圈) M5X16DA	SCREW PAN (S/P WASHER) M5X16	
4	SB3621001	1	接地线	GROUND WIRE	
5	0A4401006	1	螺钉(带垫圈) M4X10DA	SCREW PAN (S/P WASHER) M4X10	
6	0A5501206	1	螺钉(带垫圈) M5X12	SCREW PAN (S/P WASHER) M5X12	

T. 操作盘 / Operation panel



T. 操作盘 / Operation panel

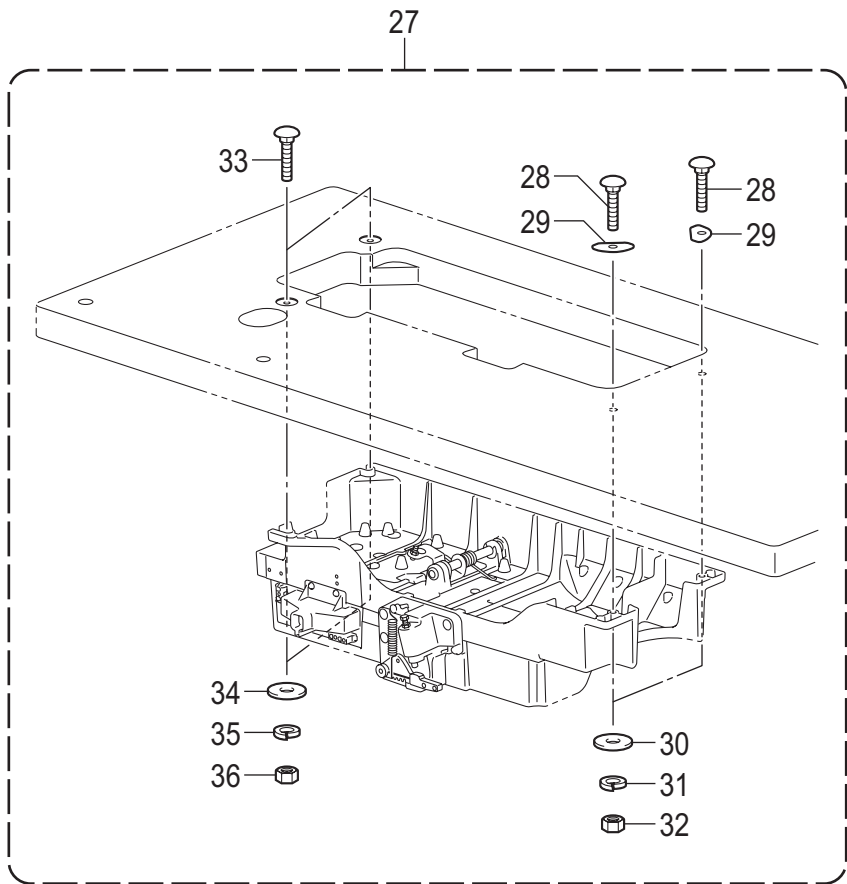
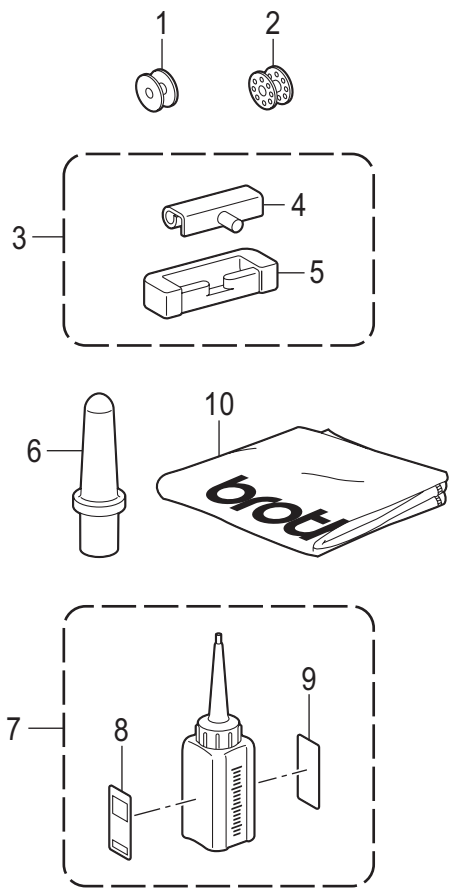
REF.NO	CODE	Q'TY	品名	NAME OF PARTS	RM
1+	SB5987001	1	<用于一般出口以外> <用于中国> 有商标标记操作盘组件	<Except General export> <For China> PANEL ASSY SUPPLY LOGO	
2+	SB6353001	1	<用于一般出口> 无商标标记操作盘组件	<For General export> PANEL ASSY SUPPLY W/O LOGO	
3	SB5045001	1	操作板密封条	EDGE COVER	
4	0A5401206	1	螺钉(带垫圈) M4X12DB	SCREW PAN (S/P WASHER) M4X12	
5	SB3655001	2	操作盘支座	PANEL SUPPORT	
6	012500536	2	螺钉 M5X5	SET SCREW SOCKET (FT) M5X5	
7	140647121	2	电线固定夹	CORD HOLDER	
8	062400816	2	螺钉 M4X8	SCREW PAN M4X8	



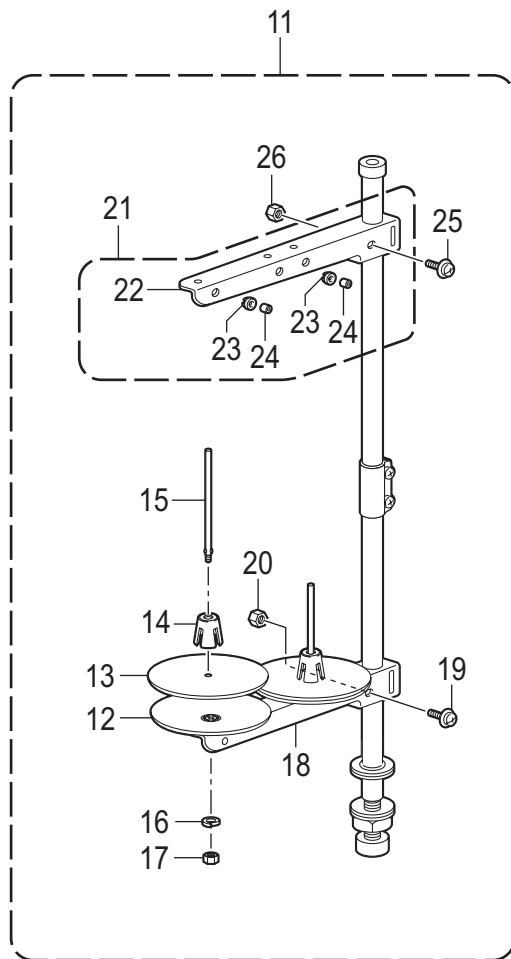
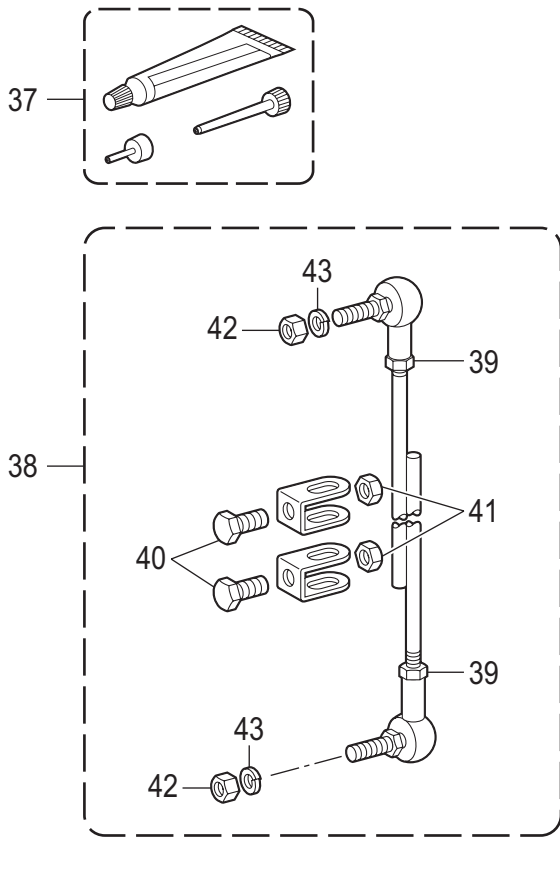
U. 马达装置 / Motor mechanism

REF.NO	CODE	Q'TY	品名	NAME OF PARTS	RM
1	SB5005201	1	马达 DR-7138B-501	MOTOR DR-7138B-501	
2	018402036	4	螺栓 M4X20	BOLT SOCKET M4X20	
3	SB4096001	1	电线夹 #12	CORD HOLDER #12	
4	062501216	1	螺钉 M5X12	SCREW PAN M5X12	
5	218859001	2	电线夹 M150	BINDER M150	
6	SA4224001	1	注意符号 30X40	MARK ATTENTION 30X40	

V. 附件 / Accessories



< 选购件 / Option parts >



V. 附件 / Accessories

REF.NO	CODE	Q'TY	品名	NAME OF PARTS	RM
1	146290001	1	<用于-□□3> 梭芯	<For -□□3> BOBBIN	
2	117132001	1	<用于-□05> 梭芯	<For -□05> BOBBIN	
3	SB5633001	1	橡胶铰链组件	RUBBER HINGE ASSY	
4	SB3627001	2	机头铰链	HEAD HINGE	
5	SB3628001	2	机头铰链套	RUBBER CUSHION	
6	SB5046001	1	机头撑杆	HEAD REST	
7	SA8239201	1	油壶组件	OIL TANK ASSY	
8	SB1270001	1	油壶警示标贴 英文	OIL WARNING LABEL EN	
9	SB1271001	1	油壶警示标贴 日文	OIL WARNING LABEL JP	
10	144226001	1	机头罩	HEAD COVER	
11	SB3928001	1	线架组件 2DR	COTTON STAND ASSY 2DR	
12	S51283001	2	垫圈	SPOOL STAND BASE	
13	SB4114001	2	线盘软垫	SPOOL MAT	
14	S51282101	2	线轴缓冲架	SPOOL CUSHION	
15	150179023	2	线轴 B	SPOOL SHAFT B	
16	SB4117001	2	弹簧垫圈 2-5	WASHER SPRING 2-5	
17	SB4119001	2	螺母 M5	NUT 2 M5	
18	S02778022	1	插线架 2	SPOOL HOLDER 2	
19	S37037002	1	螺钉(带垫圈) M5X32	SCREW PAN (S/P WASHER) M5X32	
20	SB4118001	1	螺母 M5	NUT 1 M5	
21	S02786002	1	上过线架2组件	THREAD HANGER ASSY 2	
22	S02787002	1	过线架 2	THREAD HANGER 2	
23	150183000	2	过线管套	THREAD HANGER BASE	
24	142990001	2	过线架上过线管	THREAD BUSH	
25	SB4120001	1	螺钉(带垫圈) M5X14	SCREW PAN(S/P WASHER) M5X14	
26	SB4118001	1	螺母 M5	NUT 1 M5	
27	SB5634001	1	螺栓组件	BOLT SQUARE ASSY	
28	SB5047001	2	螺栓 M6X45	BOLT SQUARE M6X45	
29	SB5048001	2	安装板	SETTING PLATE	
30	025060332	2	平垫圈 L6	WASHER PLAIN L 6	
31	028060242	2	弹簧垫圈 2-6	WASHER SPRING 2-6	
32	021060106	2	螺母 M6	NUT 1 M6	
33	SA9893001	2	螺栓 M8X65	BOLT M8X65	
34	SB4243001	2	平垫圈 L8	WASHER PLAIN L 8	
35	028080242	2	弹簧垫圈 2-8	WASHER SPRING 2-8	
36	021080202	2	螺母 M8	NUT 2 M8	
37	SA8837001	1	<选购件> 润滑脂组	<OPTION PARTS> GREASE UNIT	
38	S40765001	1	连杆组件	CONNECTING ROD ASSY	
39	021060103	2	螺母 M6	NUT 1 M6	
40	017081603	2	螺栓 M8X16	BOLT 8X16	
41	021080103	2	螺母 M8	NUT 1 M8	
42	S36119021	2	螺母 M6	NUT 1 M6	
43	S36121021	2	弹簧垫圈 2-6	WASHER SPRING 2-6	

Sp1. 不同规格零部件一览表(日本用) / Different parts list (For Japan)

REF. NO.	零部件名称 / Name of parts	规格 / Specification	
		微油型 / Minimum lubrication type	
		-[]03	-[]05
		中厚布料用 / Medium-weight materials	厚布料用 / Heavy-weight materials
B-23	针杆 / Needle bar	SA9353001	SA9641001
B-28	机针 / Needle	100265031	100265042
B-37	针板 / Needle plate	S29645001	SB5648001
C-11	压脚组件 / Presser foot assy	153037201	145157101
D-1	送布牙 / Feed dog	S02742001	S02743001

REF. NO.	零部件名称 / Name of parts	规格 / Specification	
		针杆无油型 / Semi dry type	
		-[]33	
		中厚布料用 / Medium-weight materials	
B-23	针杆 / Needle bar	SA9642101	
B-28	机针 / Needle	100265031	
B-37	针板 / Needle plate	S29645001	
C-11	压脚组件 / Presser foot assy	153037201	
D-1	送布牙 / Feed dog	S02742001	

Sp2. 不同规格零部件一览表 (美洲, 中国 及一般出口用) /
 Different parts list (For The Americas, China and General export)

REF. NO.	零部件名称 / Name of parts	规格 / Specification	
		微油型 / Minimum lubrication type	
		-[]03	-[]05
		中厚布料用 / Medium-weight materials	厚布料用 / Heavy-weight materials
B-23	针杆 / Needle bar	SA9353001	SA9641001
B-28	机针 / Needle	100265034	100265042
B-37	针板 / Needle plate	111859301	150792101
C-11	压脚组件 / Presser foot assy	153037201	150789101
D-1	送布牙 / Feed dog	SA2345101	SB5225001

REF. NO.	零部件名称 / Name of parts	规格 / Specification	
		针杆无油型 / Semi dry type	
		-[]33	
		中厚布料用 / Medium-weight materials	
B-23	针杆 / Needle bar	SA9642101	
B-28	机针 / Needle	100265034	
B-37	针板 / Needle plate	111859301	
C-11	压脚组件 / Presser foot assy	153037201	
D-1	送布牙 / Feed dog	SA2345101	

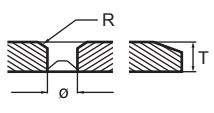
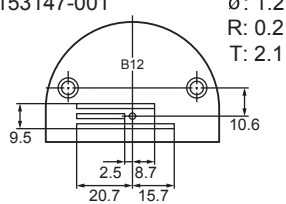
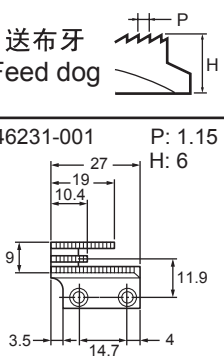
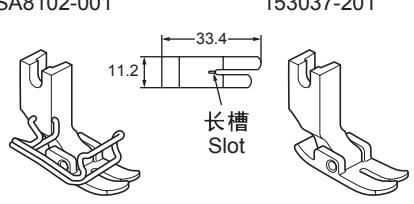
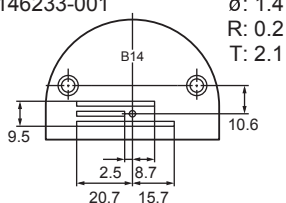
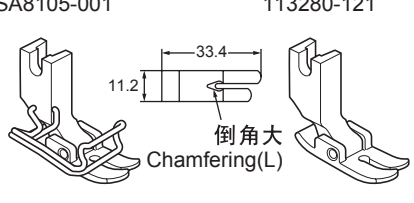
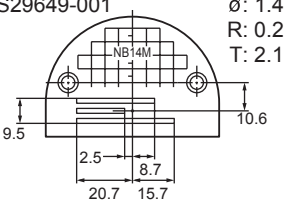
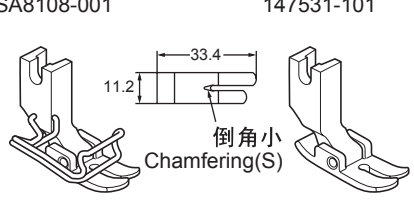
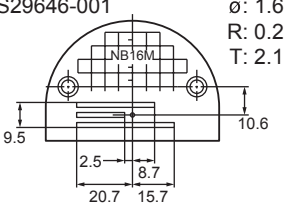
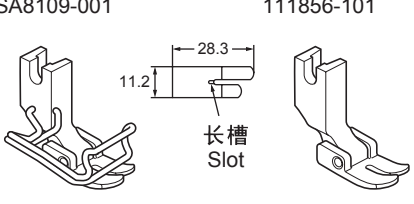
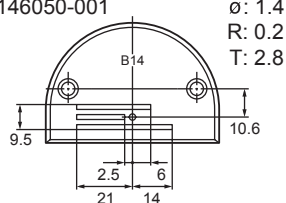
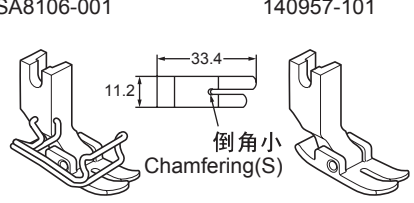
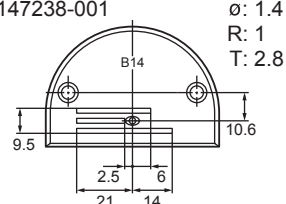
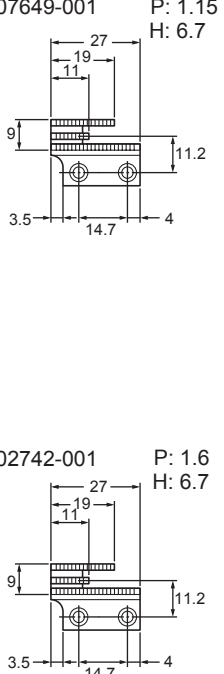
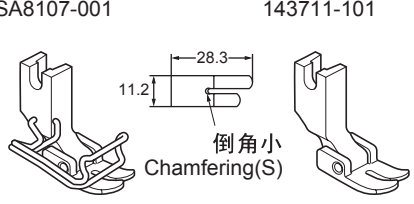
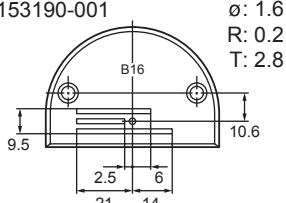
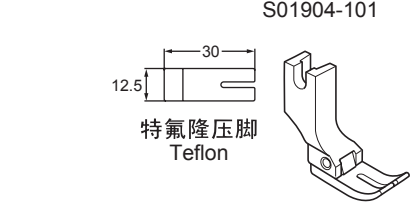
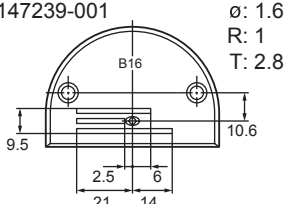
Sp3. 不同规格零部件一览表 (欧洲用) / Different parts list (For Europe)

REF. NO.	零部件名称 / Name of parts	规格 / Specification			
		微油型 / Minimum lubrication type			
		-□03		-□05	
		中厚布料用 / Medium-weight materials		厚布料用 / Heavy-weight materials	
		送布牙(3条齿) / For 3ROW	送布牙(4条齿) / For 4ROW	送布牙(3条齿) / For 3ROW	送布牙(4条齿) / For 4ROW
B-23	针杆 / Needle bar	SA9731001	←	SA9641001	←
B-28	机针 / Needle	107415011	107415014		107415022
B-37	针板 / Needle plate	100266101	111859301		150792101
C-15	压脚组件 / Presser foot assy	SA8102001	←	SA8103001	←
D-1	送布牙 / Feed dog	S02742001	SA2345101		SB5225001

REF. NO.	零部件名称 / Name of parts	规格 / Specification			
		针杆无油型 / Semi dry type			
		-□33			
		中厚布料用 / Medium-weight materials			
		送布牙(3条齿) / For 3ROW	送布牙(4条齿) / For 4ROW		
B-23	针杆 / Needle bar	SA9640101	←		
B-28	机针 / Needle	107415011	107415014		
B-37	针板 / Needle plate	100266101	111859301		
C-15	压脚组件 / Presser foot assy	SA8102001	←		
D-1	送布牙 / Feed dog	S02742001	SA2345101		

Ga1. 工模具一览表 (中厚布料用: 3条齿) / Gauge parts list (Medium-weight materials : 3ROW)

3条齿 / 3ROW

用途 Application	针板 Needle plate		送布牙 Feed dog	压脚组件 Presser foot assy		
	记号 Mark					
用于中厚布料 Medium-weight materials	B12	153147-001 		SA8102-001	153037-201 	
	B14	146233-001 		SA8105-001	113280-121 	
	NB14M	S29649-001 		SA8108-001	147531-101 	
	NB16M	S29646-001 		SA8109-001	111856-101 	
	B14	146050-001 		S07649-001	SA8106-001	140957-101 
	B14	147238-001 			SA8107-001	143711-101 
	B16	153190-001 			S02742-001	S01904-101 
	B16	147239-001 				

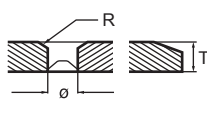
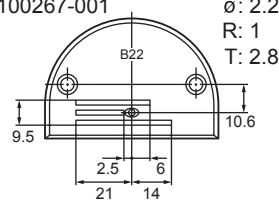
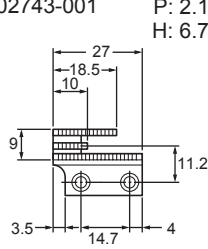
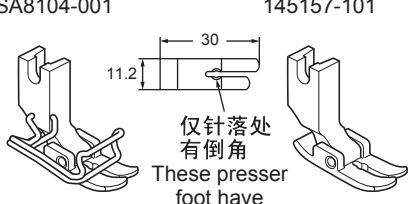
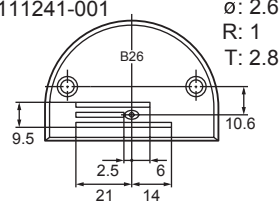
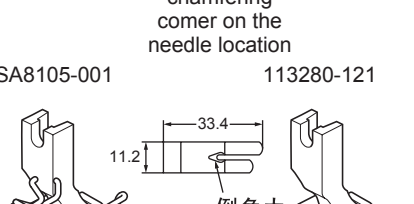
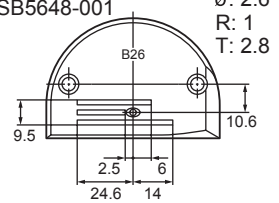
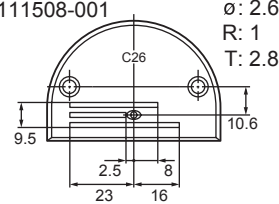
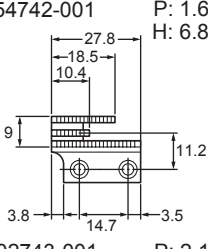
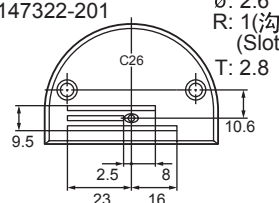
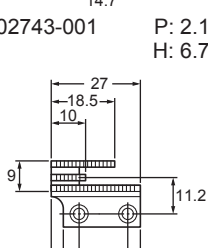
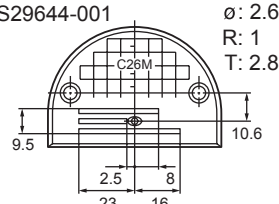
Ga2. 工模具一览表(中厚布料用: 3条齿) / Gauge parts list (Medium-weight materials : 3ROW)

3条齿 / 3ROW

用途 Application	针板 Needle plate		送布牙 Feed dog	压脚组件 Presser foot assy	
	记号 Mark				
用于中厚布料 Medium-weight materials	B18M	S29645-001 	S07649-001 	SA8102-001 	153037-201
	B18	100266-101 	S02742-001 	SA8105-001 	113280-121
	B18	146232-001 	146231-001 	SA8108-001 	147531-101
	H18	141096-001 	117442-001 	SA8109-001 	111856-101
	B20	S11222-001 	S07649-001 	SA8106-001 	140957-101
			S02742-001 	SA8107-001 	143711-101
				S01904-101 	特氟隆压脚 Teflon

Ga3. 工模具一览表 (厚布料用: 3条齿) / Gauge parts list (Heavy-weight materials : 3ROW)

3条齿 / 3ROW

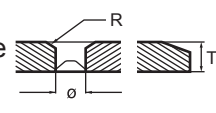
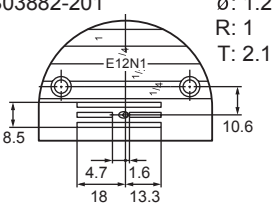
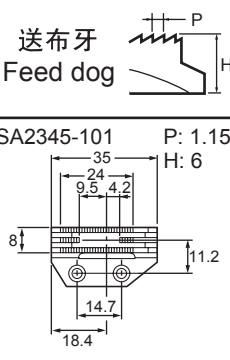
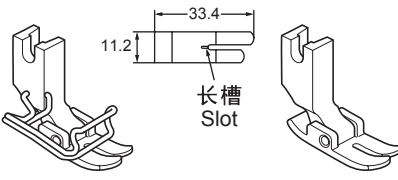
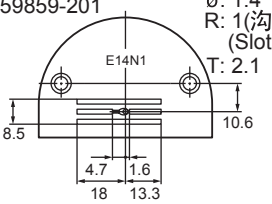
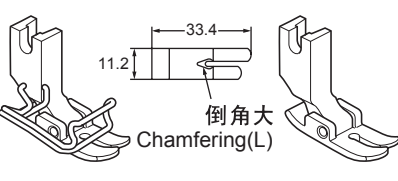
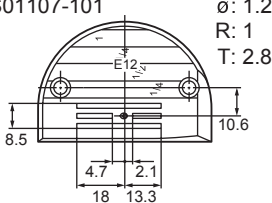
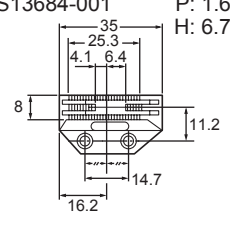
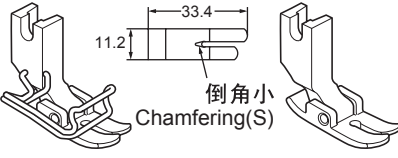
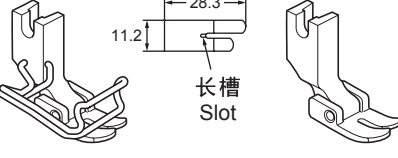
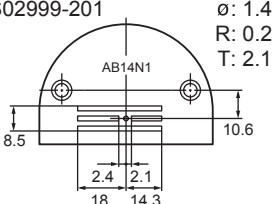
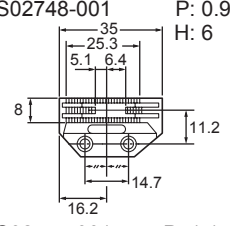
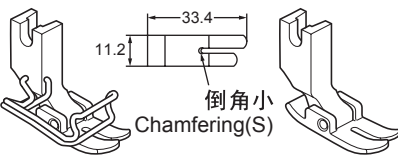
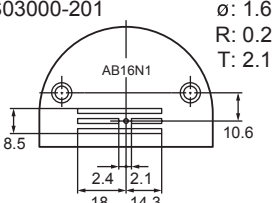
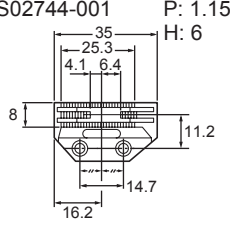
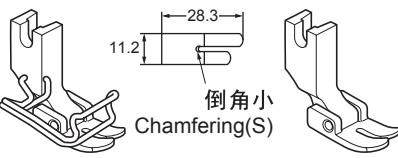
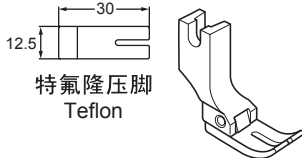
用途 Application	针板 Needle plate		送布牙 Feed dog	压脚组件 Presser foot assy
	记号 Mark			
用于厚布料 Heavy-weight materials	B22	100267-001 	S02743-001 P: 2.1 H: 6.7 	SA8104-001 145157-101  仅针落处有倒角 These presser foot have chamfering corner on the needle location
	B26	111241-001 		SA8105-001 113280-121  倒角大 Chamfering(L)
	B26	SB5648-001 		
	C26	111508-001 	154742-001 P: 1.6 H: 6.8 	
	C26	147322-201 	S02743-001 P: 2.1 H: 6.7 	
	C26M	S29644-001 		

◎ 如果使用从螺孔中心到牙部中心距离为11.9mm的送布牙时，将水平送布台托架和上下送布台托架均向左侧移动0.7mm。

◎ If a feed dog measuring 11.9mm from the screw hole center to tooth center is be use, shift the feed bar crank and feed lifting crank 0.7mm to the left .

Ga4. 工模具一览表(中厚布料用: 4条齿) / Gauge parts list (Medium-weight materials : 4ROW)

4条齿 / 4ROW

用途 Application	针板 Needle plate		送布牙 Feed dog	压脚组件 Presser foot assy		
	记号 Mark					
用于中厚布料 Medium-weight materials	E12N1	S03882-201  ø: 1.2 R: 1 T: 2.1		SA8102-001	153037-201 	
	E14N1	159859-201  ø: 1.4 R: 1(沟) T: 2.1		SA8105-001	113280-121 	
	E12	S01107-101  ø: 1.2 R: 1 T: 2.8		S13684-001 	SA8108-001	147531-101 
				用于送布节距在4mm以下 Use the feed dog and needle plate with a stitch length of 4mm or less	SA8109-001	111856-101 
	AB14N1	S02999-201  ø: 1.4 R: 0.2 T: 2.1		S02748-001 	SA8106-001	140957-101 
AB16N1	S03000-201  ø: 1.6 R: 0.2 T: 2.1	S02744-001 	SA8107-001	143711-101 		
				S01904-101 		

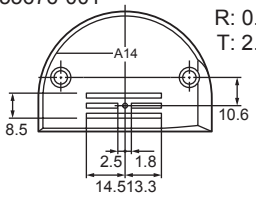
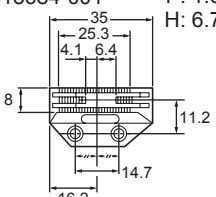
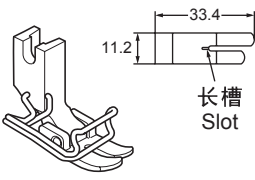
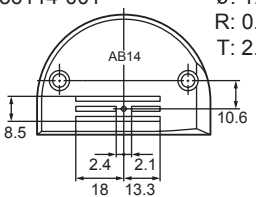
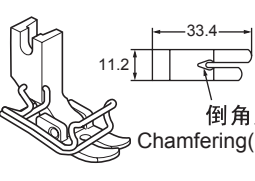
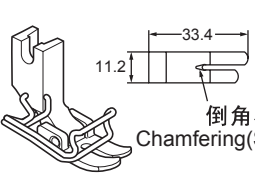
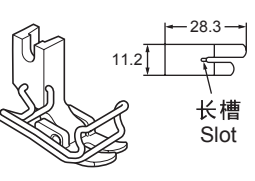
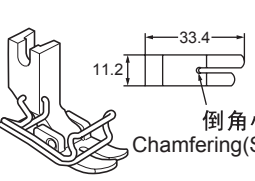
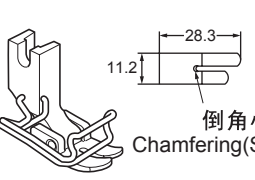
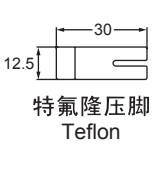
Ga5. 工模具一览表 (中厚布料用: 4条齿) / Gauge parts list (Medium-weight materials : 4ROW)

4条齿 / 4ROW

用途 Application	针板 Needle plate		送布牙 Feed dog	压脚组件 Presser foot assy		
	记号 Mark					
用于中厚布料 Medium-weight materials	AB16	156115-001 ø: 1.6 R: 0.2 T: 2.8		SA8102-001	153037-201 	
	AB18	156116-001 ø: 1.8 R: 0.2 T: 2.8		SA8105-001	113280-121 	
	AB18M	S31910-001 ø: 1.8 R: 0.2 T: 2.8		SA8108-001	147531-101 	
	E16M1	S29648-101 ø: 1.6 R: 1 T: 2.1		SA2345-101	SA8109-001	111856-101
	E18N1	111859-301 ø: 1.8 R: 1 T: 2.1		S13684-001	SA8106-001	140957-101
	E18M1	S29647-101 ø: 1.8 R: 1 T: 2.1		SA2345-101	SA8107-001	143711-101
	H18	S30103-001 ø: 1.8 R: 0.5 T: 3.2		S25822-001		S01904-101

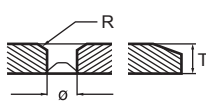
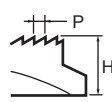
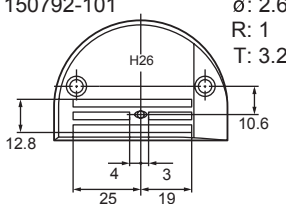
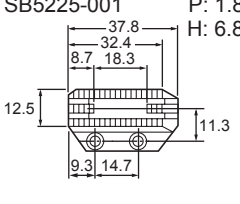
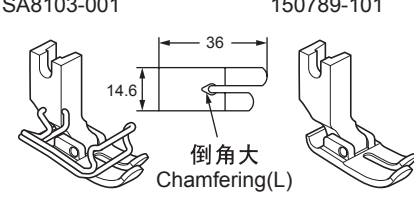
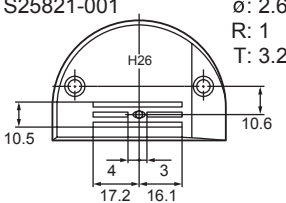
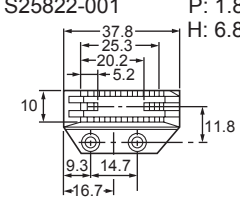
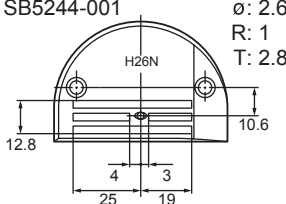
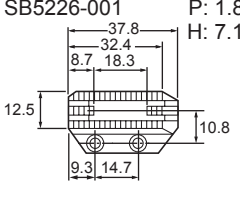
Ga6. 工模具一览表(中厚布料用: 4条齿) / Gauge parts list (Medium-weight materials : 4ROW)

4条齿 / 4ROW

用途 Application	针板 Needle plate 记号 Mark	送布牙 Feed dog	压脚组件 Presser foot assy
用于中厚布料 Medium-weight materials	A14 155676-001 $\phi: 1.4$ $R: 0.2$ $T: 2.8$ 	S13684-001 $P: 1.6$ $H: 6.7$ 	SA8102-001 153037-201  长槽 Slot
	AB14 156114-001 $\phi: 1.4$ $R: 0.2$ $T: 2.8$ 		SA8105-001 113280-121  倒角大 Chamfering(L)
			SA8108-001 147531-101  倒角小 Chamfering(S)
			SA8109-001 111856-101  长槽 Slot
			SA8106-001 140957-101  倒角小 Chamfering(S)
			SA8107-001 143711-101  倒角小 Chamfering(S)
			S01904-101  特氟隆压脚 Teflon

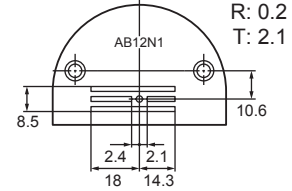
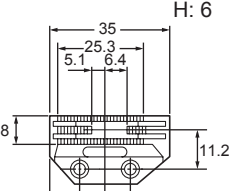
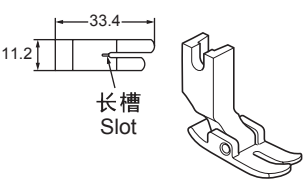
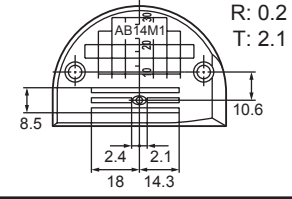
Ga7. 工模具一览表 (厚布料用: 4条齿) / Gauge parts list (Heavy-weight materials : 4ROW)

4条齿 / 4ROW



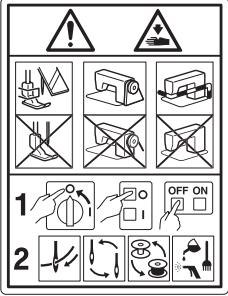




用途 Application	针板 Needle plate		送布牙 Feed dog	压脚组件 Presser foot assy
	记号 Mark			
用于厚布料 Heavy-weight Materials	H26	150792-101 	SB5225-001 	SA8103-001 150789-101 
	H26	S25821-001 	S25822-001 	
	H26N	SB5244-001 	SB5226-001 	

Ga8. 工模具一览表(难缝布料·新素材用: 4条齿) /
 Gauge parts list (Difficult-to-sew materials & Shin-gosen : 4ROW)

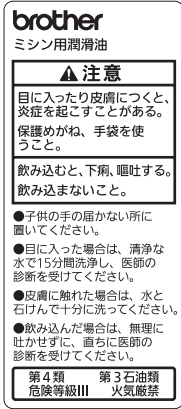
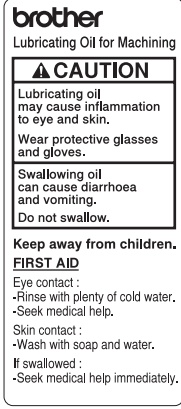
4条齿 / 4ROW

用途 Application	针板 Needle plate 记号 Mark	送布牙 Feed dog	压脚组件 Presser foot assy
用于难缝布料 Difficult-to-sew materials	AB12N1 S38760-001  ø: 1.2 R: 0.2 T: 2.1	S02748-001 P: 0.9 H: 6 	S35777-101  长槽 Slot
用于新素材 Shin-gosen	AB14M1 S35776-101  ø: 1.4 R: 0.2 T: 2.1		

Wa. 警告标签 / Warning labels

警告标签 / Warning labels	零部件名称 / Name of parts	尺寸 / Size(mm)	零部件序号 / Code
	<p>感电标签 36 X 150 Label electrical shock 36 X 150</p>	<p>36 X 150</p>	<p>SA9725-001</p>
	<p>感电标签 25 X 28 Label electrical shock 25 X 28</p>	<p>L=28.4</p>	<p>SA9914-001</p>
	<p>操作注意标签 Label caution</p>	<p>56 X 43</p>	<p>SA9826-001</p>
	<p>警告标记 Injury mark</p>	<p>L=16</p>	<p>SA9957-001</p>
	<p>警告标记 Injury mark</p>	<p>L=25</p>	<p>SA9957-002</p>
	<p>接地标记 Label, grounding</p>	<p>φ 12</p>	<p>S37060-001</p>
	<p>注意符号 30 X 40 Mark attention 30 X 40</p>	<p>30 X 40</p>	<p>SA4224-001</p>

Wa. 警告标签 / Warning labels

警告标签 / Warning labels	零部件名称 / Name of parts	尺寸 / Size(mm)	零部件序号 / Code
	<p>油壶警示标贴 日文 Oil warning label JP</p>	<p>68 X 30</p>	<p>SB1271-001</p>
	<p>油壶警示标贴 英文 Oil warning label EN</p>	<p>68 X 30</p>	<p>SB1270-001</p>

CODE	REF.NO	Page	CODE	REF.NO	Page	CODE	REF.NO	Page	CODE	REF.NO	Page
004301016	K -31	26	048120142	B -43	6	0A5501206	Q -6	42	143711101	Ga5	56
012060636	B -19	4	048150142	B -7	4	100022004	N1 -11	34		Ga6	57
	F -11	16	060300606	H -41	22	100136001	H -5	20	144226001	V -10	48
	N1 -18	34	060400516	M -21	32	100265031	Sp1	49	144875001	G -28	18
012400432	J -8	24		M -23	32	100265034	Sp2	50	145157101	Sp1	49
012400436	B -15	4	060401016	D -12	12	100265042	Sp1	49		Ga3	54
012500536	B -21	4		K -16	26		Sp2	50	145446001	H -3	20
	B -59	6	060401216	A -11	2	100266101	Sp3	51		H -18	20
	C -21	8	060500616	H -31	20		Ga2	53	145446002	J -24	24
	D -27	12	060501016	J -22	24	100267001	Ga3	54	145737021	G -10	18
	D -29	12		J -26	24	100402004	H -16	20	146050001	Ga1	52
	H -11	20		P -2	40	100645003	K -18	26	146231001	Ga1	52
	H -33	20	062061616	J -27	24	102630001	B -22	4		Ga2	53
	J -10	24	062300616	M -4	32	104450101	A -3	2	146232001	Ga2	53
	T -6	44	062400616	A -13	2	104821001	G -16	18	146233001	Ga1	52
014300432	D -5	12		K -3	26	104833001	B -27	4	146288021	M -20	32
	D -16	12	062400816	G -6	18		C -6	8	146290001	F -23	16
014771032	K -43	26		G -33	18	105234003	K -36	26		V -1	48
017081603	V -40	48		J -13	24	107415011	Sp3	51	146293001	N1 -7	34
018062036	K -66	28		K -47	26	107415014	Sp3	51		N1 -21	34
018062536	K -57	28		K -49	26	107415022	Sp3	51	147238001	Ga1	52
018400532	C -34	8		L -3	30	110161004	L -8	30	147239001	Ga1	52
018400636	K -55	28		T -8	44	110367001	B -8	4	147322201	Ga3	54
018401436	D -34	12	062401216	L -5	30	110735022	M -15	32	147531101	Ga1	52
018402036	U -2	46	062500816	B -34	4	111241001	Ga3	54		Ga2	53
018500836	L -7	30		G -8	18	111508001	Ga3	54		Ga4	55
018501036	K -10	26		H -36	20	111856101	Ga1	52		Ga5	56
018501436	D -35	12		M -24	32		Ga2	53		Ga6	57
	K -29	26		M -27	32		Ga4	55	148537101	K -6	26
021060103	V -39	48		P -8+	40		Ga5	56		K -12	26
021060106	V -32	48		P -10	40		Ga6	57	149287000	D -39	12
021060306	C -27	8	062501016	D -11	12	111859301	Sp2	50	149578020	N1 -6	34
	C -29	8		K -63	28		Sp3	51		N1 -20	34
	C -44	8	062501216	G -4	18		Ga5	56	150179023	V -15	48
	C -47	10		G -37	18	111863001	B -24+	4	150183000	V -23	48
	K -60	28		G -39	18	113280121	Ga1	52	150607000	A -6	2
021080103	V -41	48		K -61	28		Ga2	53	150789101	Sp2	50
021080202	V -36	48		U -4	46		Ga3	54		Ga7	58
021350106	D -31	12	081004070	C -19	8		Ga4	55	150792101	Sp2	50
021400106	N1 -48	36		J -20	24		Ga5	56		Sp3	51
021400306	K -19	26	081004870	F -3	16		Ga6	57		Ga7	58
025040236	N1 -47	36		G -23	18	114561001	B -40	6	151267001	B -38	6
025040332	G -34	18	081006670	G -15	18	116922201	H -17	20	151594001	B -30	4
025060232	J -16	24	081008070	G -18	18	117132001	F -24	16	153037201	Sp1	49
025060332	K -67	28		G -32	18		V -2	48		Sp2	50
	V -30	48	081025870	F -5	16	117442001	Ga2	53		Ga1	52
025350132	C -14	8	081029870	F -6	16	140004001	B -18	4		Ga2	53
026030136	M -5	32	0A4401006	N1 -22	34	140327001	G -24	18		Ga4	55
026040236	C -35	8		N1 -25	34	140407001	C -9	8		Ga5	56
	K -2	26		N1 -27	34	140553102	B -29	4		Ga6	57
026050136	K -51	28		N1 -29	34	140647121	K -48	26	153147001	Ga1	52
028060242	V -31	48		N1 -35	34		T -7	44	153190001	Ga1	52
028080242	V -35	48		N1 -37	34	140957101	Ga1	52	154567000	K -42	26
032461606	N1 -44	34		Q -5	42		Ga2	53	154742001	Ga3	54
	N2 -9	38	0A4401606	H -42	22		Ga4	55	155676001	Ga6	57
037300616	J -19	24		P -5	40		Ga5	56	156114001	Ga6	57
048030342	M -16	32	0A4402006	N1 -23	34		Ga6	57	156115001	Ga5	56
048040342	M -17	32	0A4501206	G -20	18	141096001	Ga2	53	156116001	Ga5	56
048050142	K -52	28	0A4501606	Q -3	42	141728001	C -8+	8	159150000	A -5	2
048050342	C -25	8	0A5401005	N1 -46	34	142990001	V -24	48	159805001	H -4	20
	J -2	24	0A5401006	D -37	12	143711101	Ga1	52		H -19	20
048060342	B -17	4		D -40	12		Ga2	53	159859201	Ga4	55
048080142	D -22	12	0A5401206	T -4	44		Ga4	55	180018151	B -39	6

索引 / Index

CODE	REF.NO	Page	CODE	REF.NO	Page	CODE	REF.NO	Page	CODE	REF.NO	Page
183388001	F - 19	16	S23651001	K - 37	26	SA2345101	Sp3	51	SA8109001	Ga6	57
183389001	F - 20	16	S25235001	B - 3	4		Ga4	55	SA8239201	V - 7	48
183390001	F - 21	16	S25236001	B - 4	4		Ga5	56	SA8837001	V - 37	48
200190001	N1 - 43	34	S25380601	G - 26	18	SA2378001	B - 48	6	SA8903001	C - 4	8
	N2 - 8	38	S25382001	G - 12	18	SA2422001	B - 13	4		F - 16	16
218859001	U - 5	46		G - 22	18	SA2689101	M - 25	32	SA8987001	G - 14	18
228475000	D - 38	12	S25434000	K - 39	26		P - 3	40	SA8989001	G - 13	18
BMP3010-0000000-2ST1			S25456001	M - 9	32	SA4146101	H - 6	20	SA9352001	M - 14	32
	N2 - 1+	38		M - 12	32	SA4224001	D - 41	12	SA9353001	Sp1	49
BMP3010-0000000-3ST4			S25821001	Ga7	58		U - 6	46		Sp2	50
	N2 - 2+	38	S25822001	Ga5	56		Wa1	60	SA9359001	C - 1+	8
BMP3010-0000000-4ST4				Ga7	58	SA5329001	K - 17	26	SA9523001	B - 41	6
	N2 - 2+	38	S29644001	Ga3	54	SA5810001	A - 4	2	SA9564001	N1 - 41	34
BMP3010-0000000-AST1			S29645001	Sp1	49	SA7239101	B - 20	4	SA9640101	Sp3	51
	N2 - 1+	38		Ga2	53	SA7242001	C - 5	8	SA9641001	Sp1	49
J02729001	N1 - 52	36	S29646001	Ga1	52	SA7257001	D - 20	12		Sp2	50
J04164001	N1 - 30	34	S29647101	Ga5	56	SA7271001	H - 40	22		Sp3	51
S01107101	Ga4	55	S29648101	Ga5	56	SA7272201	H - 34	20	SA9642101	Sp1	49
S01904101	Ga1	52	S29649001	Ga1	52	SA7275001	H - 15+	20		Sp2	50
	Ga2	53	S30103001	Ga5	56	SA7285101	K - 28	26	SA9684001	F - 9	16
	Ga4	55	S31006002	C - 16	8	SA7287001	K - 30	26	SA9716001	K - 50	26
	Ga5	56	S31032002	H - 21	20	SA7607101	C - 7	8	SA9725001	N1 - 38	34
	Ga6	57	S31910001	Ga5	56	SA7625001	B - 10+	4		Wa1	60
S02620401	H - 22	20	S32958000	B - 11	4	SA7626001	B - 10+	4	SA9731001	Sp3	51
S02742001	Sp1	49	S35776101	Ga8	59	SA7636201	G - 25	18	SA9771001	M - 7	32
	Sp3	51	S35777101	Ga8	59	SA7849001	H - 38	20	SA9779001	M - 19	32
	Ga1	52	S36119021	V - 42	48	SA8061001	B - 12	4	SA9826001	A - 15	2
	Ga2	53	S36121021	V - 43	48	SA8085001	M - 18	32		Wa1	60
S02743001	Sp1	49	S37037002	V - 19	48	SA8100101	C - 12	8	SA9827001	K - 59	28
	Ga3	54	S37060001	A - 14	2	SA8102001	Sp3	51	SA9854001	H - 35	20
S02744001	Ga4	55		N1 - 36	34		Ga1	52	SA9893001	V - 33	48
S02748001	Ga4	55		Wa1	60		Ga2	53	SA9896001	N2 - 5	38
	Ga8	59	S38760001	Ga8	59		Ga4	55	SA9901101	N2 - 4	38
S02778022	V - 18	48	S39051001	C - 17	8		Ga5	56	SA9914001	N2 - 6	38
S02786002	V - 21	48	S40765001	V - 38	48		Ga6	57		Wa1	60
S02787002	V - 22	48	S41205001	M - 8	32	SA8103001	Sp3	51	SA9923101	N2 - 3	38
S02999201	Ga4	55	S41207000	M - 11	32		Ga7	58	SA9957001	A - 16	2
S03000201	Ga4	55	S51282101	V - 14	48	SA8104001	Ga3	54		Wa1	60
S03245001	F - 18	16	S51283001	V - 12	48	SA8105001	Ga1	52	SA9957002	A - 17	2
S03246001	F - 22	16	S52162000	N1 - 49	36		Ga2	53		N1 - 39	34
S03882201	Ga4	55	S52163000	N1 - 50	36		Ga3	54		Wa1	60
S04630000	B - 24+	4	S52164000	N1 - 45	34		Ga4	55	SB0705101	C - 40	8
S04632101	H - 15+	20	S52764001	G - 27	18		Ga5	56	SB1270001	V - 8	48
S07649001	Ga1	52	SA1120001	B - 5	4		Ga6	57		Wa2	61
	Ga2	53	SA1138101	B - 26+	4	SA8106001	Ga1	52	SB1271001	V - 9	48
S11222001	Ga2	53	SA1139101	B - 26+	4		Ga2	53		Wa2	61
S12441001	H - 20	20	SA1166001	B - 51	6		Ga4	55	SB1603001	E - 2	14
S13385001	C - 13	8	SA1173101	C - 1+	8		Ga5	56	SB1604001	E - 3	14
S13561101	C - 8+	8	SA1179001	C - 37	8		Ga6	57	SB1605001	E - 4	14
S13684001	Ga4	55		C - 42	8	SA8107001	Ga1	52	SB1607001	E - 6	14
	Ga5	56		N1 - 16	34		Ga2	53	SB1608001	E - 7	14
	Ga6	57	SA1229101	H - 25	20		Ga4	55	SB1609001	E - 8	14
S23651001	B - 2	4	SA1242001	D - 6	12		Ga5	56	SB1610001	E - 9	14
	B - 6	4		D - 17	12		Ga6	57	SB1611001	E - 10	14
	B - 32	4	SA1286001	F - 12	16	SA8108001	Ga1	52	SB1677001	F - 17+	16
	B - 36	4	SA1303101	G - 17	18		Ga2	53	SB3440001	A - 1	2
	B - 45	6		G - 31	18		Ga4	55	SB3480001	E - 5	14
	B - 47	6	SA1345001	H - 30	20		Ga5	56	SB3540001	J - 5	24
	B - 52	6	SA1360101	J - 21	24		Ga6	57	SB3544001	J - 9	24
	D - 14	12	SA1388101	L - 6	30	SA8109001	Ga1	52	SB3545101	J - 11	24
	D - 30	12	SA2161001	B - 16	4		Ga2	53	SB3548001	J - 12	24
	F - 8	16	SA2252101	B - 50	6		Ga4	55	SB3551001	J - 15	24
	F - 13	16	SA2345101	Sp2	50		Ga5	56	SB3552001	J - 17	24

CODE	REF.NO	Page	CODE	REF.NO	Page	CODE	REF.NO	Page	CODE	REF.NO	Page
SB3553001	J - 18	24	SB4903001	F - 1	16	SB5024001	P - 6	40	SB5314101	D - 15	12
SB3586001	N1 - 14	34	SB4904001	F - 10	16	SB5025001	P - 4	40	SB5315101	D - 4	12
SB3587001	N1 - 10	34	SB4911001	G - 3	18		P - 9	40	SB5316101	B - 42	6
SB3595101	H - 29	20	SB4915001	G - 29	18	SB5028001	M - 28	32	SB5317001	B - 55	6
SB3621001	Q - 4	42	SB4916001	G - 40	18		P - 7	40	SB5318001	B - 31	4
SB3627001	V - 4	48	SB4918001	G - 36	18	SB5030001	C - 32	8	SB5627001	H - 27	20
SB3628001	V - 5	48	SB4922101	H - 23	20		C - 39	8	SB5628001	B - 53	6
SB3655001	T - 5	44	SB4923001	H - 24	20	SB5031001	C - 43	8	SB5629001	B - 54	6
SB3665001	N1 - 26	34	SB4924001	H - 26	20	SB5032001	B - 25	4	SB5630101	H - 37	20
SB3776001	B - 14	4	SB4928001	H - 12	20	SB5034001	N1 - 9	34	SB5631101	K - 27	26
SB3816101	N1 - 2+	34	SB4929001	H - 13	20	SB5035201	N1 - 34	34	SB5633001	V - 3	48
SB3817401	N1 - 2+	34	SB4932001	H - 39	20	SB5036001	G - 9	18	SB5634001	V - 27	48
SB3837001	N1 - 28	34	SB4933001	H - 2	20	SB5037001	B - 49	6	SB5638001	A - 8	2
SB3850001	A - 12	2	SB4934001	H - 32	20	SB5039001	B - 58	6	SB5639101	G - 11	18
SB3854001	E - 1	14	SB4936001	J - 6	24	SB5041001	F - 15+	16	SB5645101	Q - 1+	42
SB3872001	N1 - 32	34	SB4940001	J - 7	24	SB5042001	F - 15+	16	SB5646101	Q - 2	42
SB3928001	V - 11	48	SB4941001	K - 4	26	SB5043001	A - 7	2	SB5648001	Sp1	49
SB4096001	U - 3	46	SB4942101	K - 11	26	SB5044001	A - 9	2		Ga3	54
SB4114001	V - 13	48	SB4943001	K - 5	26	SB5045001	T - 3	44	SB5650001	K - 58	28
SB4117001	V - 16	48	SB4944001	K - 21	26	SB5046001	V - 6	48	SB5652101	J - 1	24
SB4118001	V - 20	48	SB4948101	K - 9	26	SB5047001	V - 28	48	SB5663401	P - 1+	40
	V - 26	48	SB4949101	K - 8	26	SB5048001	V - 29	48	SB5673001	K - 62	28
SB4119001	V - 17	48	SB4950201	K - 7	26	SB5049001	C - 2	8	SB5674001	C - 46	10
SB4120001	V - 25	48	SB4951201	K - 15	26	SB5225001	Sp2	50	SB5675001	G - 35	18
SB4155001	M - 6	32	SB4952101	K - 13	26		Sp3	51	SB5987001	T - 1+	44
	N1 - 33	34	SB4953001	K - 65	28		Ga7	58	SB6237101	P - 1+	40
SB4243001	V - 34	48	SB4954101	K - 1	26	SB5226001	Ga7	58	SB6353001	T - 2+	44
SB4531001	N2 - 7	38	SB4955001	K - 32	26	SB5227001	B - 33	4	SB6391001	N1 - 42	34
SB4587301	N1 - 2+	34	SB4956101	K - 33	26	SB5229001	C - 24	8	SB6402001	N1 - 40	34
SB4803001	N1 - 51	36	SB4957001	K - 20	26	SB5237101	M - 2	32	SB6427001	A - 18	2
SB4845001	A - 2	2	SB4960001	K - 38	26	SB5238001	M - 10	32		A - 19	2
SB4846101	M - 1	32	SB4961001	K - 41	26	SB5239001	M - 13	32	SB6430001	D - 33	12
SB4848001	B - 44	6	SB4962001	K - 40	26	SB5242001	M - 22	32	SB6453001	N1 - 1+	34
SB4849001	B - 35	4	SB4963001	K - 53	28	SB5244001	Ga7	58	SB6454001	N1 - 1+	34
SB4857001	B - 56	6	SB4964001	K - 45	26	SB5248001	B - 9+	4	SB6455001	N1 - 1+	34
SB4858001	B - 57	6	SB4965001	K - 54	28	SB5252001	B - 9+	4	SB6456001	N1 - 1+	34
SB4864001	C - 18	8	SB4966001	K - 64	28	SB5253001	B - 9+	4	SB6457001	N1 - 3+	34
SB4865001	C - 20	8	SB4967101	K - 56	28	SB5257001	K - 46	26	SB6458001	N1 - 3+	34
SB4866001	C - 30	8	SB4968001	K - 34	26	SB5258001	M - 3	32	SB6564001	C - 45	10
SB4867101	C - 22	8	SB4969001	K - 14	26	SB5262001	C - 10	8	SB6568001	F - 17+	16
SB4868001	C - 33	8	SB4970001	L - 1	30	SB5265101	H - 1	20			
SB4869001	C - 36	8	SB4971001	L - 2	30	SB5267101	Q - 1+	42			
SB4870001	C - 26	8	SB4972001	L - 4	30	SB5269001	F - 2	16			
	C - 28	8	SB4973101	N1 - 4	34	SB5270001	F - 4	16			
SB4871001	C - 38	8	SB4974101	N1 - 31	34	SB5272001	F - 7	16			
SB4872001	C - 31	8	SB4975001	N1 - 24	34	SB5275101	F - 14	16			
SB4873101	C - 23	8	SB4976001	N1 - 5	34	SB5276101	G - 1	18			
SB4874101	C - 41	8	SB4977101	N1 - 19	34	SB5280001	G - 19	18			
SB4879001	D - 3	12	SB4978001	N1 - 8	34	SB5281001	G - 2	18			
SB4882001	D - 24	12	SB4979001	N1 - 12	34	SB5284201	G - 21	18			
SB4883001	D - 25	12	SB4980001	N1 - 13	34	SB5286201	G - 30	18			
SB4884001	D - 26	12	SB4981101	N1 - 15	34	SB5287001	G - 7	18			
SB4885101	D - 9	12	SB4982101	N1 - 17	34	SB5288101	H - 14+	20			
SB4887001	D - 19	12	SB5002001	G - 5	18	SB5289101	H - 14+	20			
SB4888101	D - 10	12	SB5004001	G - 38	18	SB5290001	B - 1	4			
SB4889001	D - 21	12	SB5005201	U - 1	46	SB5291101	B - 46	6			
SB4892201	D - 36	12	SB5008001	J - 23	24	SB5294201	D - 8+	12			
SB4893101	D - 23	12	SB5009001	J - 3	24	SB5297201	D - 8+	12			
	D - 32	12	SB5010001	J - 4	24	SB5300201	D - 28	12			
SB4894001	D - 7	12	SB5011001	J - 28	24	SB5301001	K - 35	26			
	D - 18	12	SB5012001	J - 29	24	SB5306001	M - 26	32			
SB4900001	D - 2	12	SB5013001	J - 25	24	SB5310101	K - 44	26			
SB4901001	D - 13	12	SB5014001	J - 14	24	SB5312001	A - 10	2			

brother



零件手册
PARTS BOOK

BROTHER INDUSTRIES, LTD. <http://www.brother.com/>
1-5, Kitajizoyama, Noda-cho, Kariya 448-0803, Japan. Phone : 81-566-95-0088

© 2015 Brother Industries, Ltd. All Rights Reserved.

S-7300A
I5011038B C/E
2015.03. B (1)