

Ga2. ゲージ部品一覧表 / Gauge parts list

**T-8422C (糸切り) / T-8422C (With Thread trimmer)**

**標準品 / For normal**

- \* 糸切り用固定刃(S07527-001)と取付ねじ(148539-101)は、針板に付いていません。必要に応じて別途ご注文ください。
- \* The thread trimming fixed knife (part No. S07527-001) and the installation screw (part No. 148539-101) are not provided with the needle plate, so they must be ordered separately if required.

針幅 Needle gauge	針抱き組 Needle clamp assy	針板 Needle plate		送り歯 Feed dog		押え組 Presser foot assy	
		中厚, 厚物用 (-4□3, -4□5) (最大5mmピッチ) For medium & heavy materials (Max 5mm pich)	オプション (最大4mmピッチ) Option (Max 4mm pich)	中厚物用 (-4□3) For medium materials	厚物用 (-4□5) For heavy materials	中厚物用 (-4□3) For medium materials	厚物用 (-4□5) For heavy materials
2.4mm (3/32)	158804-101	159398-001			148697-001		148679-001
3.2mm (1/8)	158794-101	155722-001	159400-001	148698-001	148699-001	S36550-001	
4.0mm (5/32)	158796-101	155724-001		148700-001	148701-001	148689-001	
4.8mm (3/16)	158791-101	155851-001	158784-001	148702-001	148703-001	S36554-001	S36556-001
6.4mm (1/4)	158792-101	155853-001	158783-001	148704-101 *1	148705-001 158756-001*2	SA4051-101	SA4050-101
7.9mm (5/16)	158793-101	155855-001	159402-001	149692-001	149691-001	149689-001	149687-001
9.5mm (3/8)	158798-101	155857-001	149946-001	149939-001	149938-001	149942-001	149940-001
11.1mm (7/16)	158809-101	S01644-001		S01646-001		S01641-101	
12.7mm (1/2)	158797-101	149677-001	159404-001	149676-001	149675-001	149673-101	149671-101
15.9mm (5/8)	158795-101	149954-001	149956-001	149949-001	149948-001	149952-101	149950-101
19.1mm (3/4)	158806-101	150526-001			150523-001		150524-101
22.2mm (7/8)	158807-101	150534-001			150531-001		150532-101
25.4mm (1)	158805-101	149966-001		S32054-001	149960-001		149962-101
38.1mm (1 1/2)	158800-101	S07391-001			S07390-001		S07388-101

針板 Needle plate		押え組 Presser foot assy	
中厚物用 (-4□3) For medium materials	厚物用 (-4□5) For heavy materials	中厚物用 (-4□3) For medium materials	厚物用 (-4□5) For heavy materials
針抱き組 Needle clamp assy	送り歯 Feed dog		
	中厚物用 (-4□3) For medium materials	厚物用 (-4□5) For heavy materials	
	*1 (φ1.7 : 148704-101のみ φ1.7 : 148704-101 only)	148705-001	158756-001 *2 (中国向 : ジーンズ用 For China : for denim)

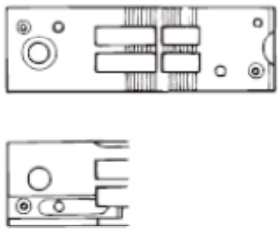
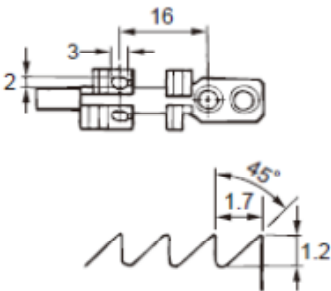
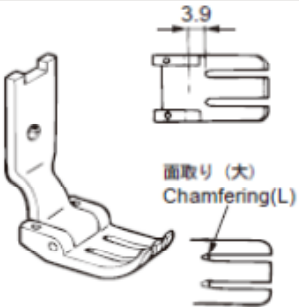
## Ga2. ゲージ部品一覧表 / Gauge parts list

### T-8422C (糸切り) / T-8422C (With Thread trimmer)

#### 空縫い用 / For sewing without material


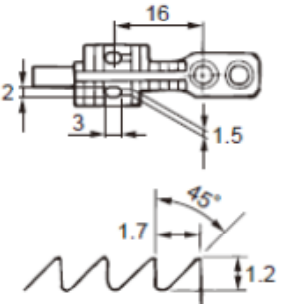
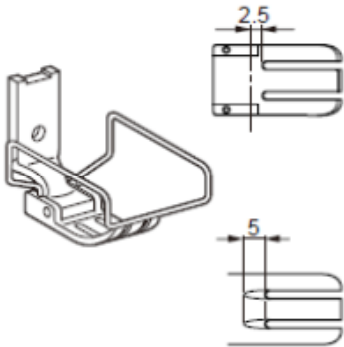
- \* 針板と送り歯と押え組が標準品と異なります。最大送りピッチは4mm以下でご使用ください。
- \* Needle plate, the feed dog and presser foot assembly is different from normal parts.  
Use gauge components of for sewing without material which have a maximum feed pitch of 4mm or less.

針幅 Needle gauge	針抱き組 Needle clamp assy	針板 Needle plate	送り歯 Feed dog	押え組 Presser foot assy
6.4mm (1/4)	標準品/Normal	S10507-001	S10509-101	S10510-001

針板 Needle plate	送り歯 Feed dog	押え組 Presser foot assy
		

#### 極太糸用(-407) / For extra-thick thread(-407)

針幅 Needle gauge	針抱き組 Needle clamp assy	針板 Needle plate	送り歯 Feed dog	押え組 Presser foot assy
6.4mm (1/4)	標準品/Normal	SB0362-001	SB0361-001	SB0359-001

針板 Needle plate	送り歯 Feed dog	押え組 Presser foot assy
 <p>固定刃押えばね：板厚0.4mm Thickness of fix knife spring : 0.4mm</p>		

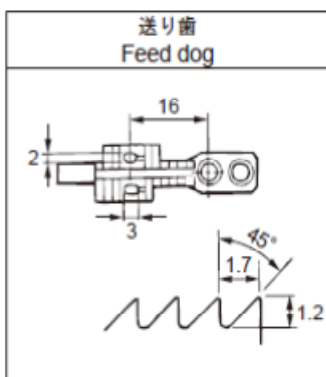
## Ga2. ゲージ部品一覧表 / Gauge parts list

### T-8422C (糸切り) / T-8422C (With Thread trimmer)

#### 厚物用 / For heavy materials

- \* 送り歯が標準品と異なります。
- \* The feed dog is different from normal parts.

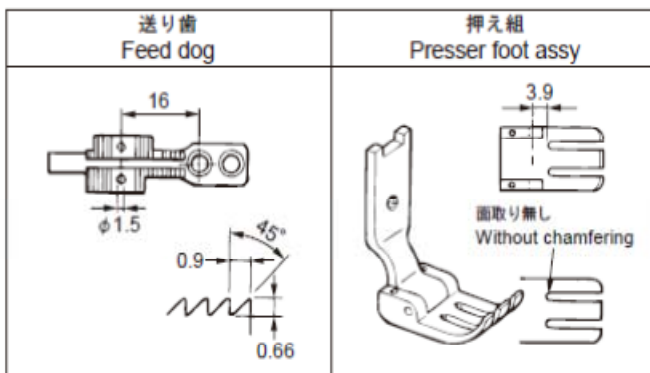
針幅 Needle gauge	針抱き組 Needle clamp assy	針板 Needle plate	送り歯 Feed dog	押え組 Presser foot assy
4.8mm (3/16)	標準品 Normal	標準品 Normal	S07905-001	標準品 Normal
6.4mm (1/4)			158756-001	



#### 極薄物用 / For extra light materials

- \* 送り歯と押えが標準品と異なります。
- \* 押え組の形状は標準品と同じですが、特殊な表面処理が施してあります。
- \* The feed dog and presser foot assembly is different from normal parts.
- \* The shape of the presser foot assembly is the same as for the standard part, but it has a special surface processing.

針幅 Needle gauge	針抱き組 Needle clamp assy	針板 Needle plate	送り歯 Feed dog	押え組 Presser foot assy
4.8mm (3/16)	標準品 Normal	標準品 Normal	S36855-001	S36856-001
6.4mm (1/4)			S36858-001	S36859-001



## Ga2. ゲージ部品一覧表 / Gauge parts list

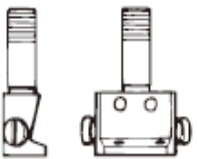
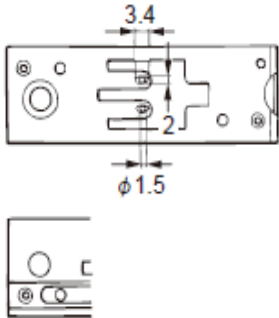
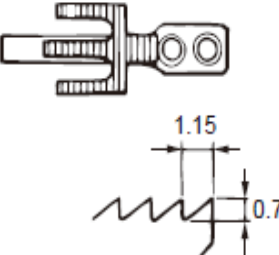
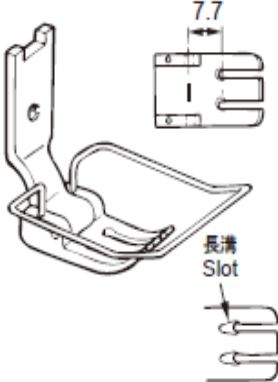
### T-8422C (糸切り) / T-8422C (With Thread trimmer)

#### 下送り用 / For drop feed

\* 糸切り用固定刃(S07527-001)と取付ねじ(148539-101)は、針板には付けてありませんので、必要に応じて別途ご注  
さい。

\* The thread trimming fixed knife (part No. S07527-001) and the installation screw (part No. 148539-101) are  
provided with the needle plate, so they must be ordered separately if required.

針幅 Needle gauge	針抱き組 Needle clamp assy	針板 Needle plate	送り歯 Feed dog	押え組 Presser foot assy
		薄物用 For light materials	薄物用 For light materials	薄物用 For light materials
3.2mm (1/8)	158794-101	S07401-001	S07409-001	S38544-001
4.8mm (3/16)	158791-101	S07403-001	S07410-001	S38542-001
6.4mm (1/4)	158792-101	S07405-001	S07411-001	S38543-001
7.9mm (5/16)	158793-101	S07676-001	S07680-001	S07682-001
9.5mm (3/8)	158798-101	S13621-001	S13623-001	S13624-001
12.7mm (1/2)	158797-101	S07678-001	S07681-001	S07684-101
22.2mm (7/8)	158807-101	S07891-001	S07893-001	S07894-101
25.4mm (1)	158805-101	S15088-001	S15090-001	S15091-101
31.8mm (1 1/4)	158799-101	S20914-001	S20916-001	S20917-101

針抱き組 Needle clamp assy	針板 Needle plate	送り歯 Feed dog	押え組 Presser foot assy
	薄物用 For light materials	薄物用 For light materials	薄物用 For light materials
			









文くだ

: not

