

■ No. 2013-116 ■ Date: 2013/10/22

Model : **S7000DD**

Title : Auto Foot Lifter for S7000DD

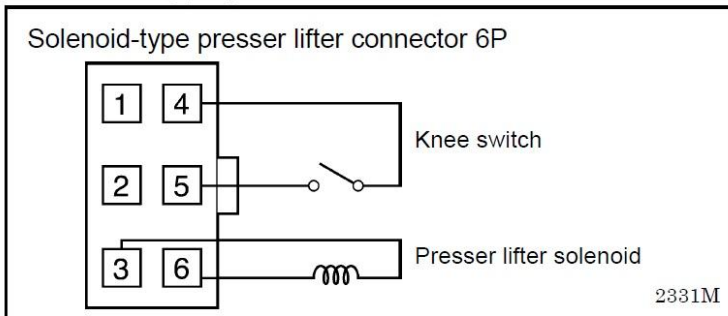
Unfortunately connector of foot lifter has been changed for S-7000DD

Previous one is 6-pin and S-7000DD is 4-pin connector

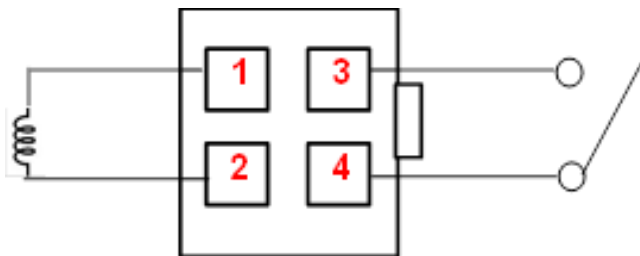
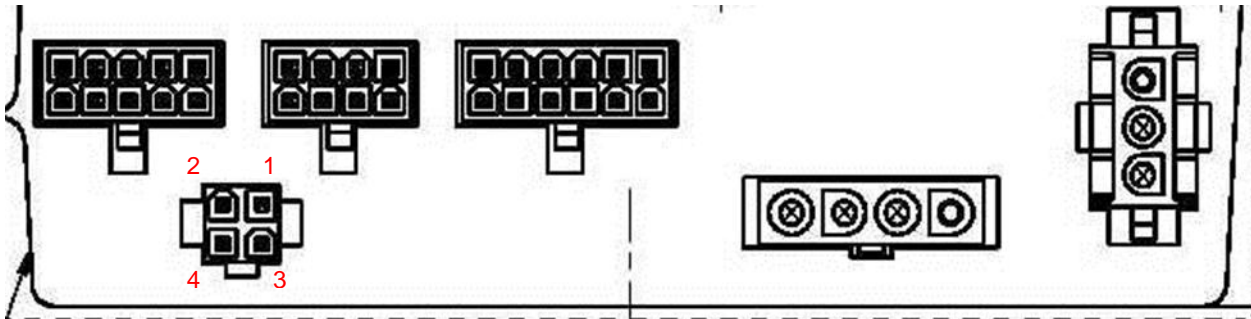
Please refer to documents

S-7200C, S-6200A & S-6200DD ----6 pin connector

<Solenoid-type presser lifter connector>



S-7000DD --- 4 pin connector



Connector: Molex 5557-04R

Connector pin: Molex 5556-TL ----- Same as S-7200C foot lifter

Also when you purchase foot lifter to Ho Shing inform S-7000DD foot lifter is different connector.