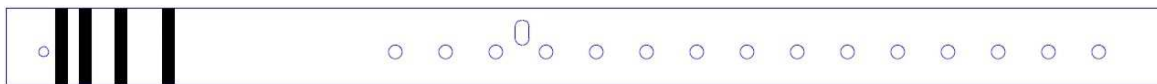


THANK YOU FOR CHOOSING A BROTHER LABEL PRINTING SOLUTION

The Brother model TD-2130NHC healthcare thermal printer has enhanced versatile features designed to help improve productivity, efficiency and virtually trouble free operation. Using an innovative smart media detection and automatic media calibration solution called TrustSense™ technology, the TD-2130NHC will know what kind of media has been loaded into the printer and manages every print job that helps produce the best possible print results – for both wristbands and labels. Just load a roll of TrustSense™ wristbands or labels and the TD-2130NHC is self-programmed with the correct media settings and ready to print.

TrustSense™ Smart Media Technology

All TrustSense™ smart media come with a special pattern resembling a barcode printed on the backside of all wristbands and labels. Every wristband will have a smart media pattern printed on the backside, which is also used to position the wristband to the correct starting print position. In most cases, pressing the middle Form Feed key on the TD-2130NHC control panel will advance one wristband.



TrustSense™ Wristband Smart Media Pattern

Similar to the wristbands, labels will also have a smart media pattern printed on the backside which is used to position the labels to the correct starting print position. In most cases, pressing the middle Form Feed key will advance one label. However, some labels may be too small and the smart media pattern will be printed across more than one label. In this case, pressing the Form Feed key will advance more than one label.



TrustSense™ Labels Smart Media Pattern

TrustSense™ Smart Benefits

A properly calibrated printer to the specific type of media loaded into the printer will help produce the best possible printing quality and performance. TrustSense™ smart technology automatically makes this calibration by just loading any TrustSense™ smart media into the printer and it's ready to print.

TrustSense™ smart technology also helps reduce frustrating printer problems with mysterious flashing LED's that back up print spoolers with unprinted jobs or often lead to printing garbage and wasting a lot of wristbands and labels – TrustSense™ smart technology will print the job virtually every time so that you can easily discover your mistake like loading the wrong type of media.

How to Get TrustSense™ Smart Media

TrustSense™ smart media rolls are available in adult, pediatric and infant size wristbands with either a clasp or a tamper-evident adhesive closure, or common die cut label sizes. Please visit www.TrustSense.com for more information and for a complete list of TrustSense™ smart media available.

IMPORTANT

The Brother model TD-2130NHC is functionally equivalent to the Brother model TD-2130N. Please refer to the TD-2130N documentation and CD for installation and usage information.

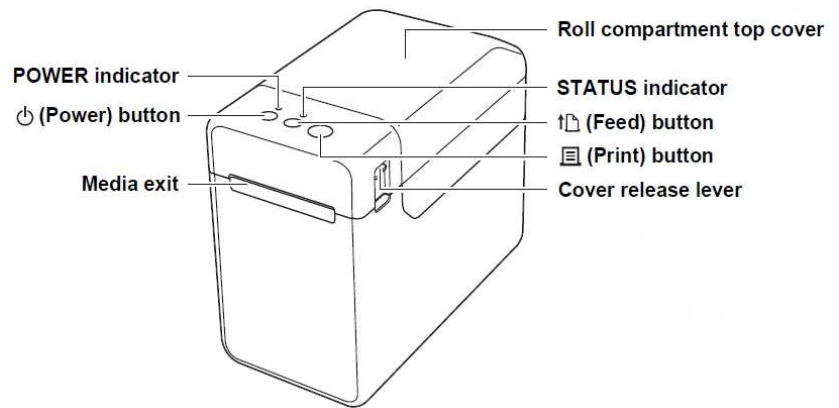


LBD110001

Made in USA

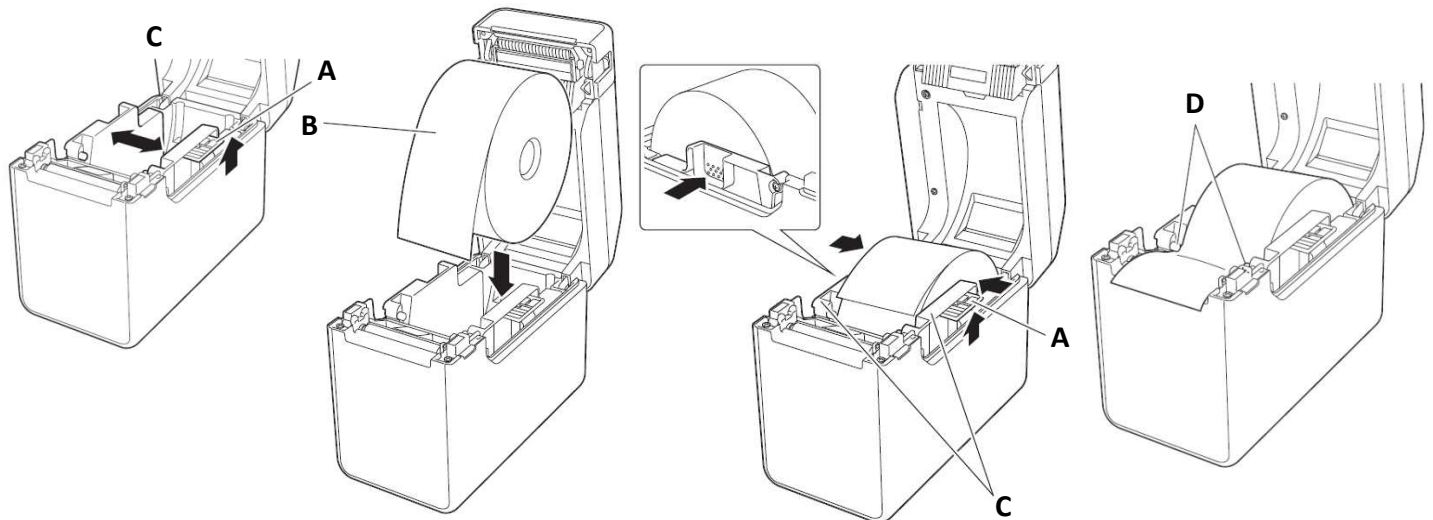
TD-2130NHC

TRUSTSENSE™
SMART TECHNOLOGY



HOW TO LOAD TrustSense™ MEDIA

1. Press the (Power) button to turn the TD-2130NHC printer on, POWER indicator turns solid green.
2. Locate the cover release lever on either side of the printer and open the roll compartment top cover.
3. Locate the green media guide adjustment lever (A), lift up and adjust the media guides apart.
4. Drop in a TrustSense™ smart media roll (B), positioned so that the wristbands or labels come off from the top of the roll.
5. Adjust the media guides (C) to securely position the media roll in the center of the printer.
6. Position the first wristband or the first few labels off the top of the media roll under the purple guide tips (D) and resting in the center of the lower media exit.



7. Close roll compartment top cover.
8. The printer will automatically advance one wristband or a few labels, read the smart media pattern printed on the backside and then automatically program the proper media settings.
9. The TD-2130NHC printer is now ready to use with the loaded TrustSense™ smart media roll.

NOTE: The TD-2130NHC printer will automatically advance one wristband or a few labels to read the first smart media pattern printed on the backside every time the printer top cover is closed while the printer is powered on. This operation is called automatic media calibration.

TIP: When loading a new roll of the same TrustSense™ smart media, you can cancel the automatic media calibration operation to help reduce wasting unused media by pressing the (Feed) button right after closing the roll compartment top cover.

PRINTING CONFIGURATION REPORT: For best results, load a 2" to 2-1/4" wide continuous roll of standard thermal media with the printer turned off. After the roll compartment top cover is closed, turn on the power and hold down the (Print) button until the configuration report starts to print out.