

brother®

PARTS REFERENCE LIST

MODEL: PT-330

MECHANISMS & ELECTRONICS

© Copyright Brother 1997

All rights reserved.

No part of this publication may be reproduced in any form or by any means without permission in writing from the publisher.

Specifications are subject to change without prior notice.

NOTES FOR USING THIS PARTS REFERENCE LIST

1. In the case of ordering parts, it needs mentioning the following items:

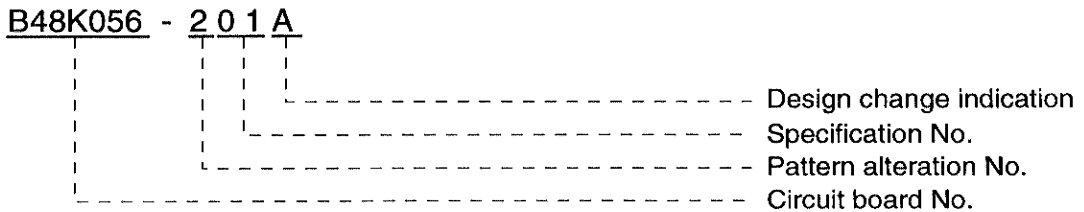
- (1) Code
- (2) Q'ty
- (3) Description
- (4) Revision No. (for a kind of printed circuit boards)

Note: No orders without Parts Code or Tool No. can be accepted.

[Example]

REF.NO.	CODE	Q'TY	DESCRIPTION	REMARKS

(4) Revision No.: marked on a printed circuit board.



2. Design-changed parts;

If the parts are changed, any one of the following symbols is indicated in the REMARKS column.

- #A : compatible between old and new
- #B : replaceable from old to new
- #D : incompatible
- #C : newly established

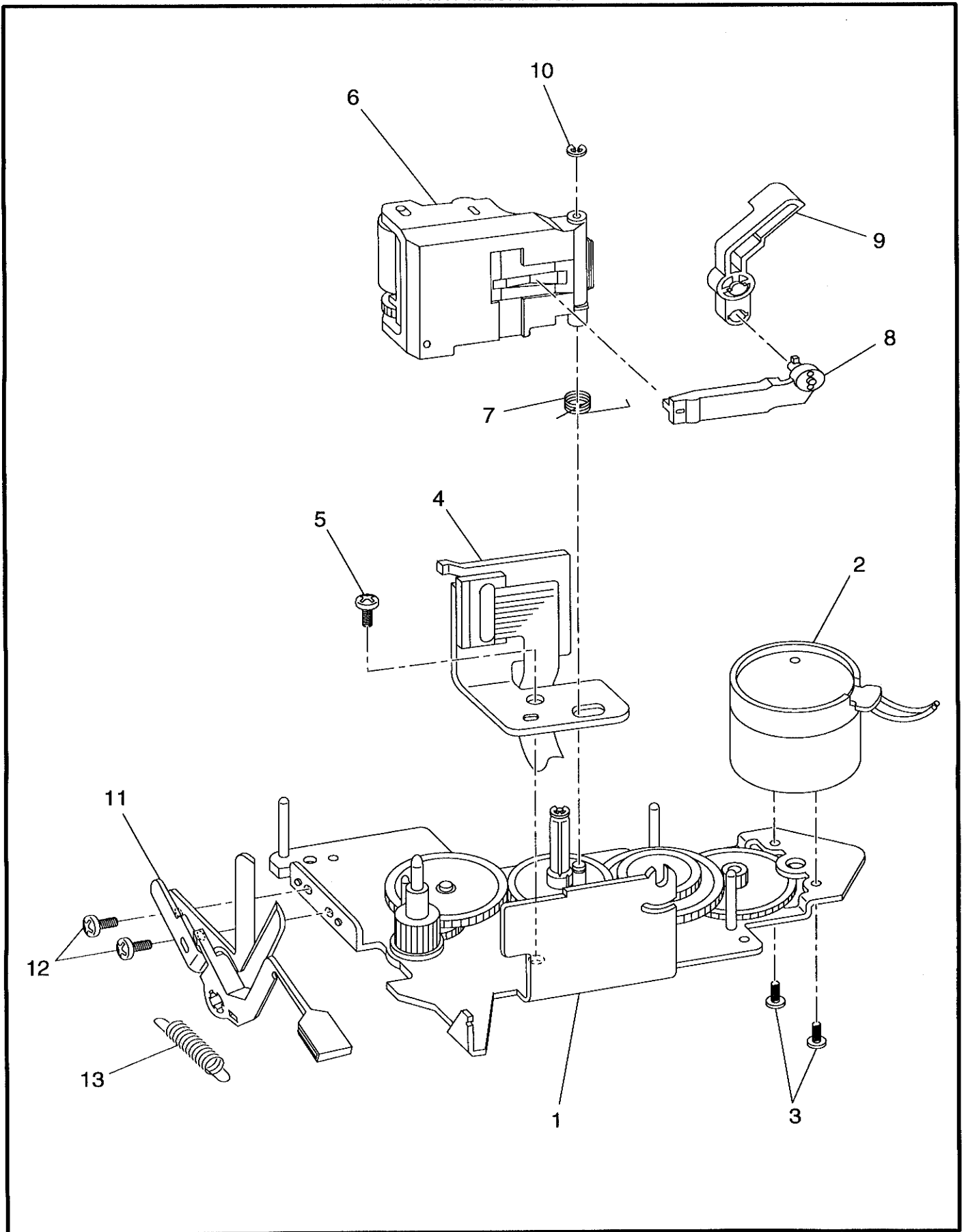
3. The original of this list was made based on the information available in May 1997.

4. Parts are subject to change in design without prior notice.

CONTENTS

1. PRINT MECHANISM	1
2. COVER	3
3. CONTACT KEY	5
4. SENSOR	5
5. MAIN PCB	7
6. P/S PCB	9
7. APPLICATION	9
8. PRINTED MATTER	11
9. PACKING MATERIAL	11
INDEX	13

1. PRINT MECHANISM

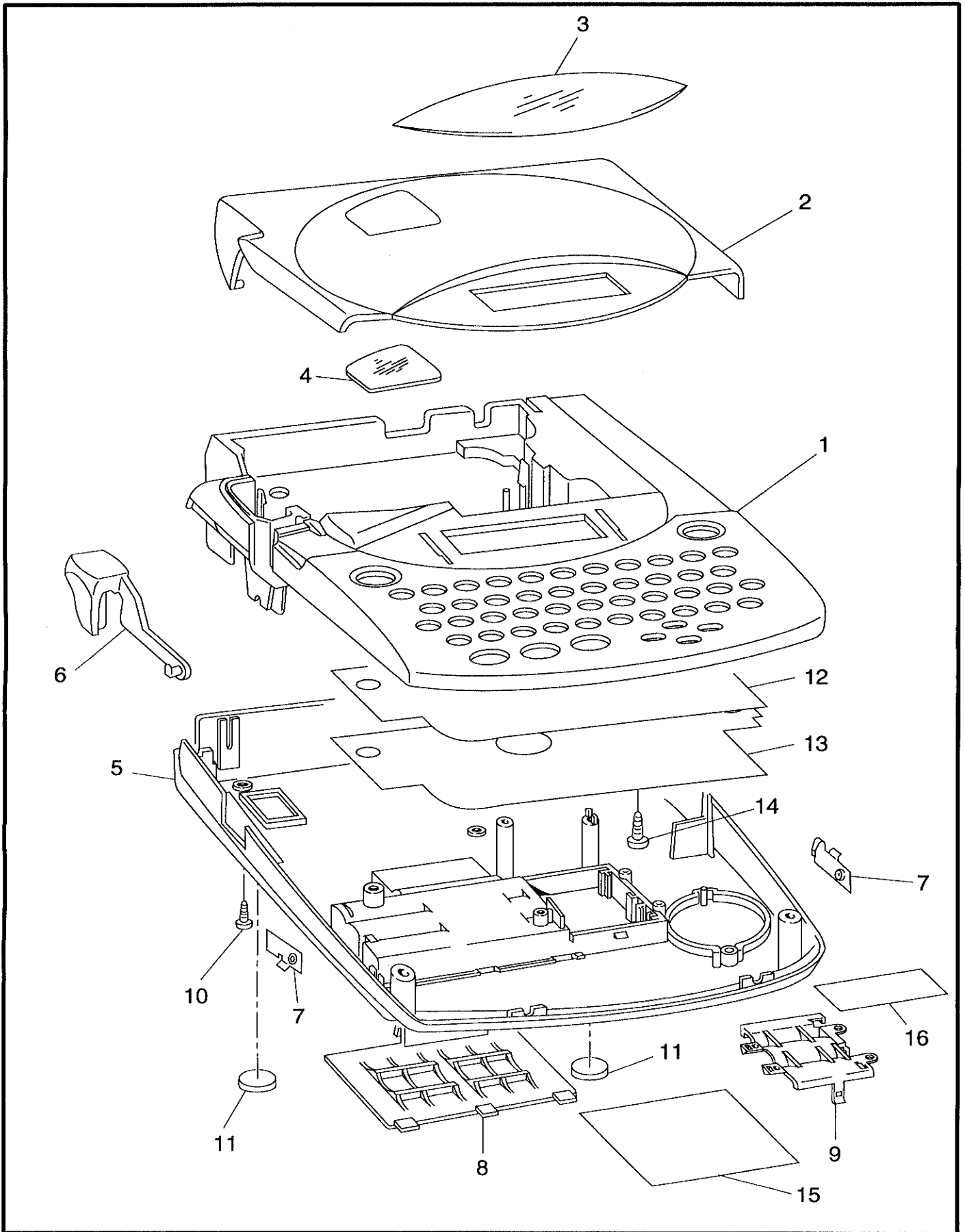


MODEL PT-330 5V2-322-045

1. PRINT MECHANISM

REF.NO.	CODE	Q'TY	DESCRIPTION	REMARKS
1	UN4256001	1	CHASSIS ASSY PT350	
2	UN0370001	1	DC MOTOR ASSY PT300	
3	UB3848001	2	SCREW, PAN M2.6X3.5	
4	UN4350001	1	HEAD ASSY (SP)	
5	060300415	1	SCREW, BIND M3X4	
6	UN4268001	1	ROLLER HOLDER ASSY 350	
7	UN0392001	1	ROLLER HOLDER SPRING	
8	UN4277000	1	ROLLER RELEASE ROD	
9	UN4278001	1	ROLLER RELEASE LEVER 350	
10	048020346	1	RETAINING RING, E2	
11	UN4279001	1	CUTTER ASSY	
12	062300506	2	SCREW, PAN M3X5	
13	UN4285001	1	SPRING	

2. COVER

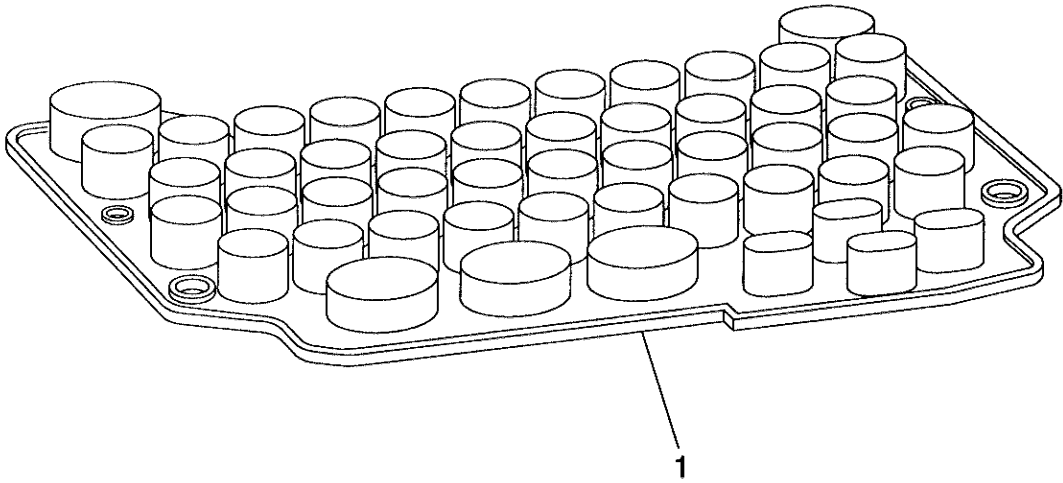


MODEL PT-330 5V2-322-061

2. COVER

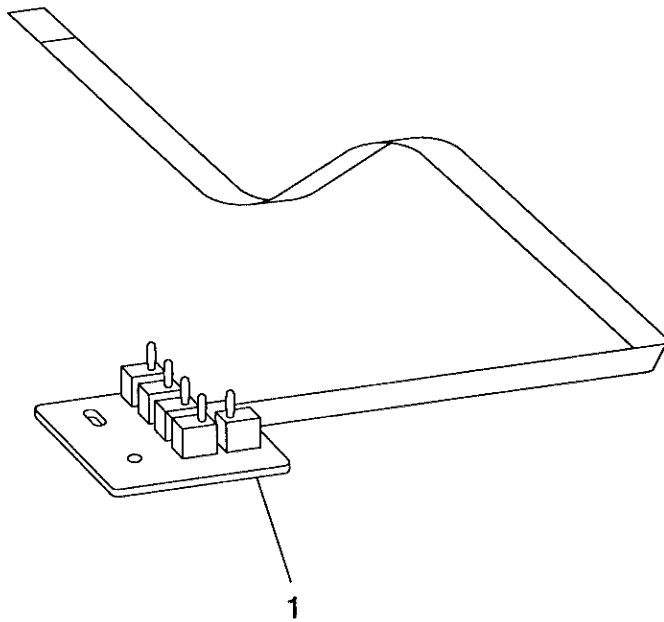
REF.NO.	CODE	Q'TY	DESCRIPTION	REMARKS
1	UN4323003	1	BODY COVER 330 US, GRAY1421	
2	UN4290002	1	CASSETTE COVER 350US, GRAY1395	
3	UN4292002	1	LCD PANEL 350 US	
4	UN4296001	1	TAPE PANEL 350	
5	UN4297003	1	BOTTOM COVER 350, GRAY1421	
6	UN4299001	1	CUTTER LEVER 350, GREEN5134	
7	UB3719000	2	BATTERY TERMINAL	
8	UN0400007	1	BATTERY LID, GRAY1421	
9	UN0401007	1	BLIND COVER, GRAY1421	
10	085270817	7	TAPTITE, BIND B M2.6X8	
11	UB4431001	2	BASE PLATE FOOT	
12	UN4301000	1	SHIELD PLATE	
13	UN4302000	1	INSULATOR	
14	060300415	1	SCREW, BIND M3X4	
15	UN4307001	1	CAUTION LABEL EC (CA)	
16	UH3297001	1	C-TICK MARK, AUS	

3. CONTACT KEY



MODEL PT-330 5V2-322-003

4. SENSOR



MODEL PT-330 5V2-322-100

3. CONTACT KEY

REF.NO.	CODE	Q'TY	DESCRIPTION	REMARKS
1	UN4251002	1	RUBBER 51 KEY US, GRAY1422	

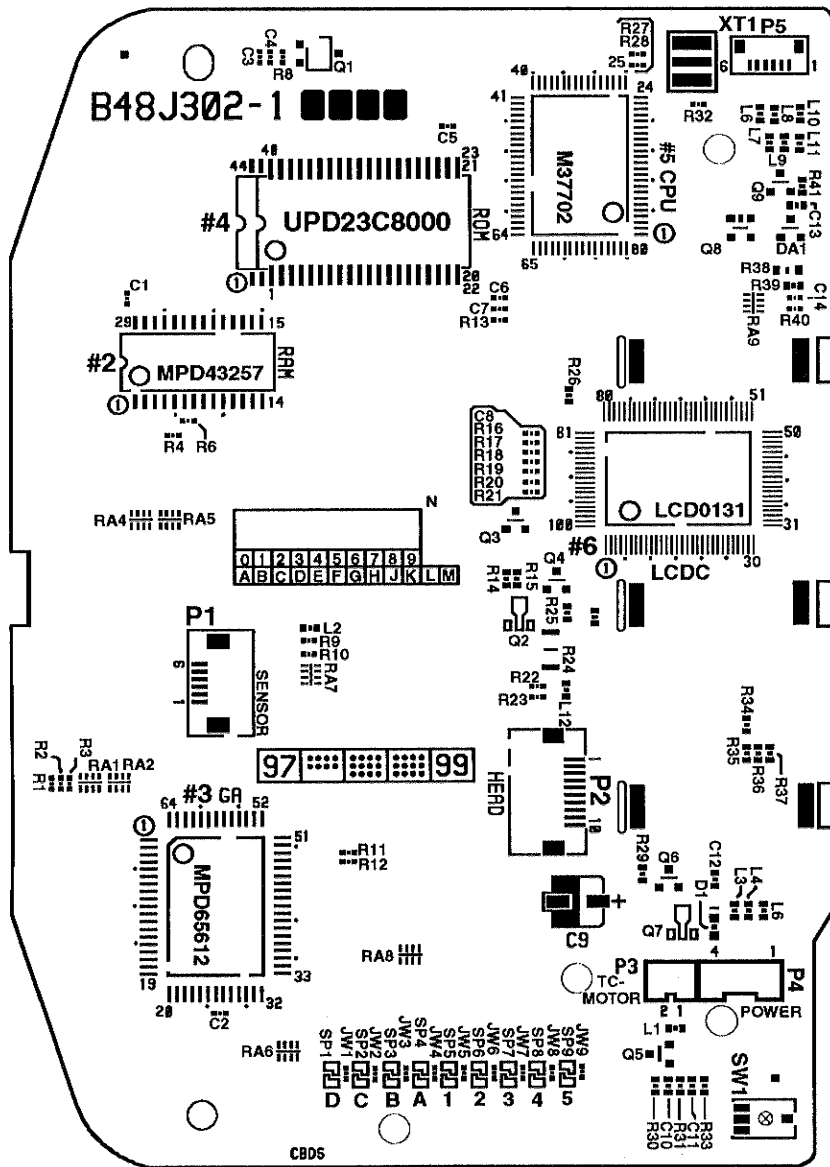
MODEL PT-330 5V2-322-003

4. SENSOR

REF.NO.	SYMBOL	CODE	Q'TY	DESCRIPTION	REMARKS
1	B48J324-	UN4443001	1	SENSOR PCB ASSY (SP)	

MODEL PT-330 5V2-322-100

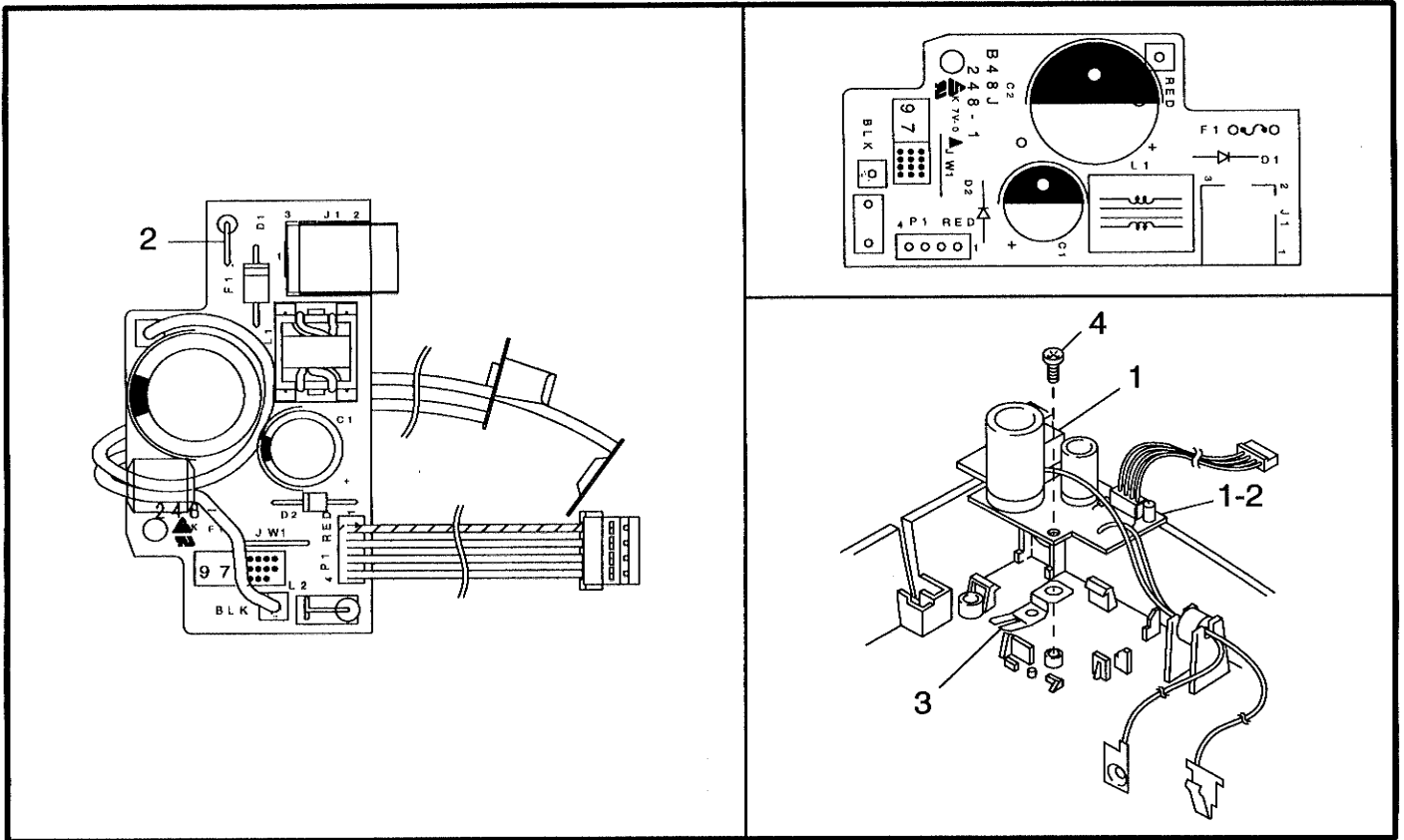
5. MAIN PCB



5. MAIN PCB

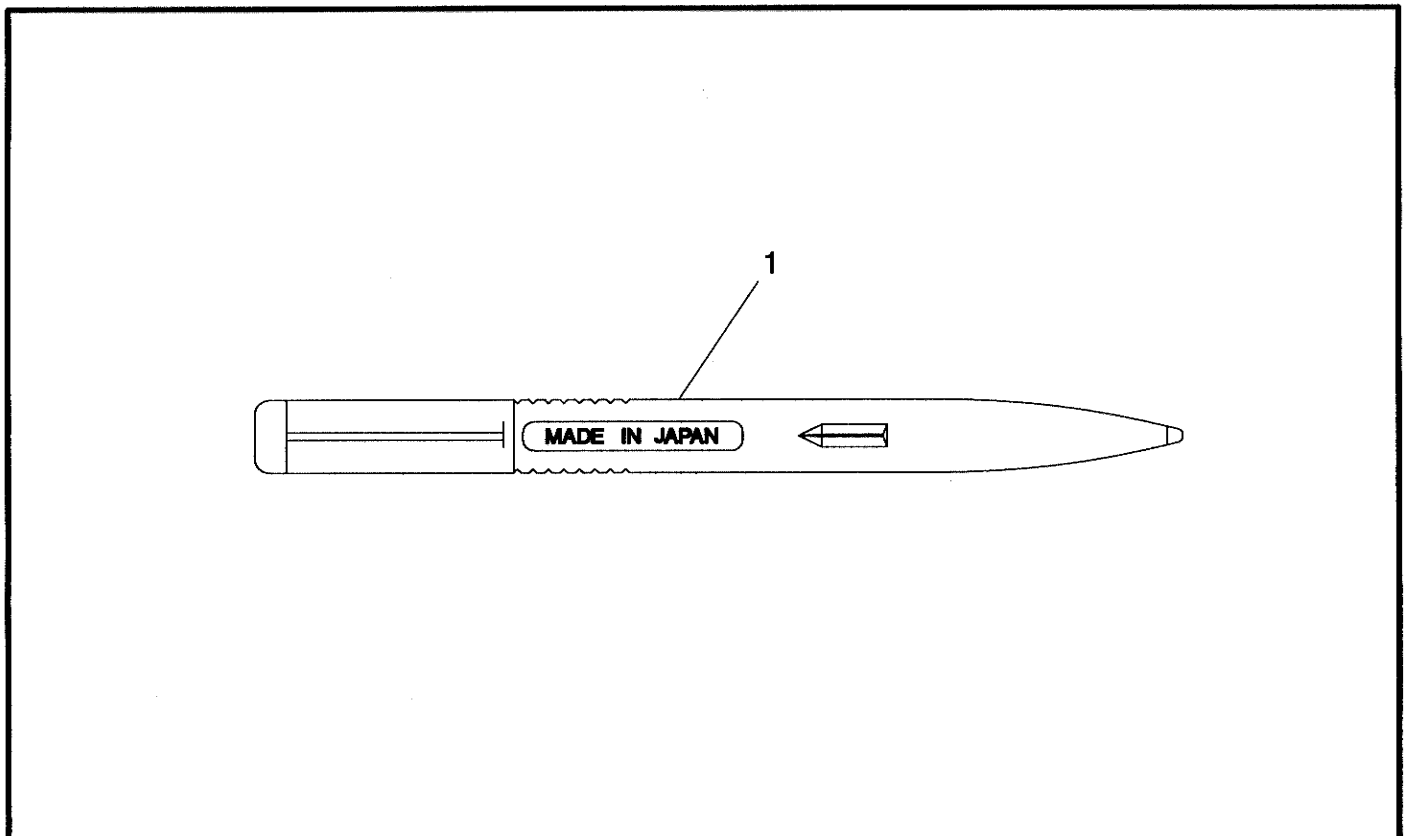
REF.NO.	SYMBOL	CODE	Q'TY	DESCRIPTION	REMARKS
1	B48J302-110	UN4435001	1	MAIN PCB ASSY 330 (SP)	

6. P/S PCB



MODEL PT-330 5V2-322-102

7. APPLICATION



MODEL PT-330 5V2-322-910

6. P/S PCB

REF.NO.	SYMBOL	CODE	Q'TY	DESCRIPTION	REMARKS
1-2	B48J248-	UN4442001	1	PS PCB ASSY (SP)	
1	J1	W00325001	1	JACK:HEC0470	
2	F1	UN4105000	1	FUSE F4A	
3		UN0341000	1	GROUND PLATE 300	
4		085270817	1	TAPTITE, BIND B M2.6X8	

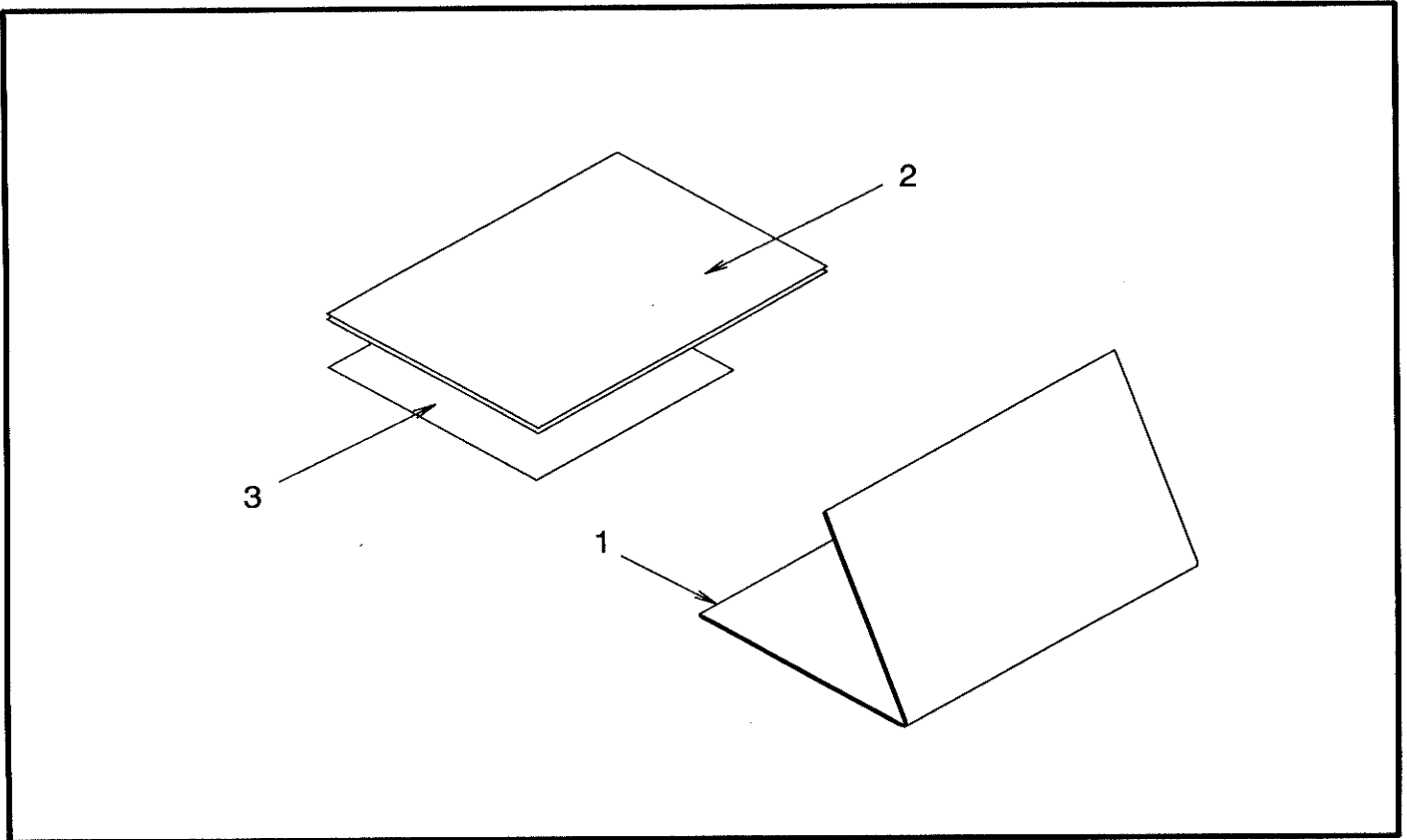
MODEL PT-330 5V2-322-102

7. APPLICATION

REF.NO.	CODE	Q'TY	DESCRIPTION	REMARKS
1	UN0733022	1	LETTERING STICK TZ, GRAY1252	

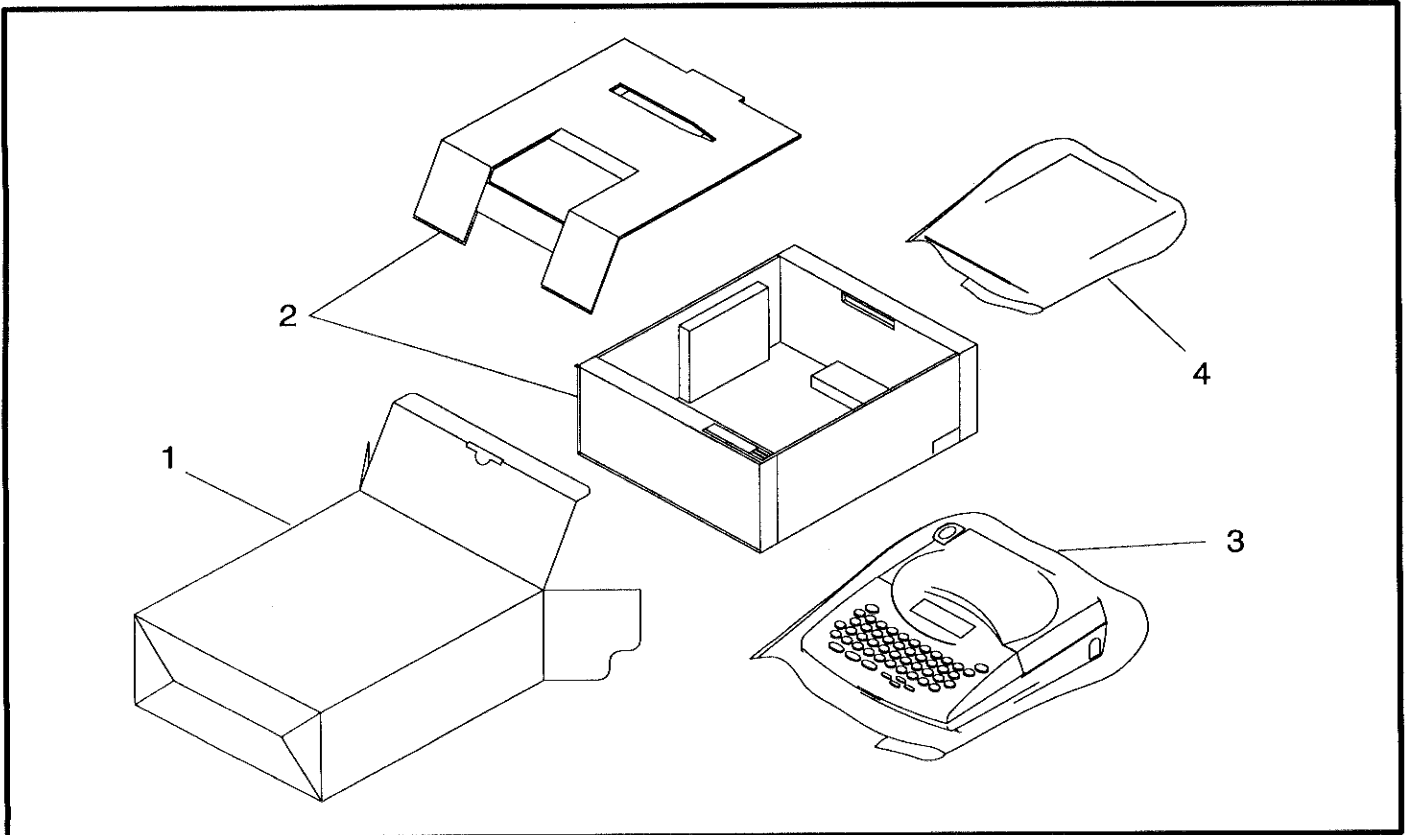
MODEL PT-330 5V2-322-910

8. PRINTED MATTER



MODEL PT-330 5V2-322-920

9. PACKING MATERIAL



MODEL PT-330 5V2-322-930

8. PRINTED MATTER

REF.NO.	CODE	Q'TY	DESCRIPTION	REMARKS
1	UN4310001	1	USER'S MANUAL 330/350, USA.ENG	
1	UN4326001	1	USER'S MANUAL 330, CAN.ENGLISH	
1	UN4327001	1	USER'S MANUAL 330, CAN.FRENCH	
1	UN4490001	1	USER'S MANUAL 330, AUS.ENGLISH	
2	UN0183001	1	WARRANTY CARD, USA.ENGLISH	
2	UN8607001	1	WARRANTY CARD, CAN.E/F	
3	UB4382001	1	SERVICE CENTER LIST US	

MODEL PT-330 5V2-322-920

9. PACKING MATERIAL

REF.NO.	CODE	Q'TY	DESCRIPTION	REMARKS
1	UN4328001	1	CARTON, US	
1	UN4329001	1	CARTON, CA	
1	UN4488001	1	CARTON, AUS	
2	UN4317001	1	PAD ASSY 350	
3	UN0450001	1	BAG, 280X410	
4	UN5224001	1	BAG, 215X360H	

MODEL PT-330 5V2-322-930

brother®