

brother[®]

**PERSONAL WORD PROCESSOR
PARTS REFERENCE LIST**

MODEL:WP-1700MDS

MECHANISM & ELECTRONICS

NOTES FOR USING THIS PARTS REFERENCE LIST

1. In the case of ordering parts, it needs mentioning the following items:

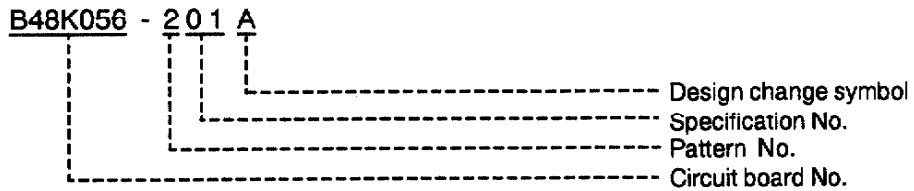
- (1) Code
- (2) Q'ty
- (3) Description
- (4) Revision No.(for a kind of printed circuit board)

Note: No orders without Parts Code or Tool No. can be accepted.

[Example]

REF.NO.	CODE	Q'TY	DESCRIPTION	REMARKS

(4) Revision No.: marked on a printed circuit board



2. Design-changed parts;

When the parts are changed, any one of the following symbols is indicated in the REMARKS column.

- #A : compatible between old and new
- #B : replaceable from old to new
- #D : incompatible
- # : newly established

3. The original of this list was made based on the information available in MAY 1994.

4. Parts are subject to change in design without prior notice.

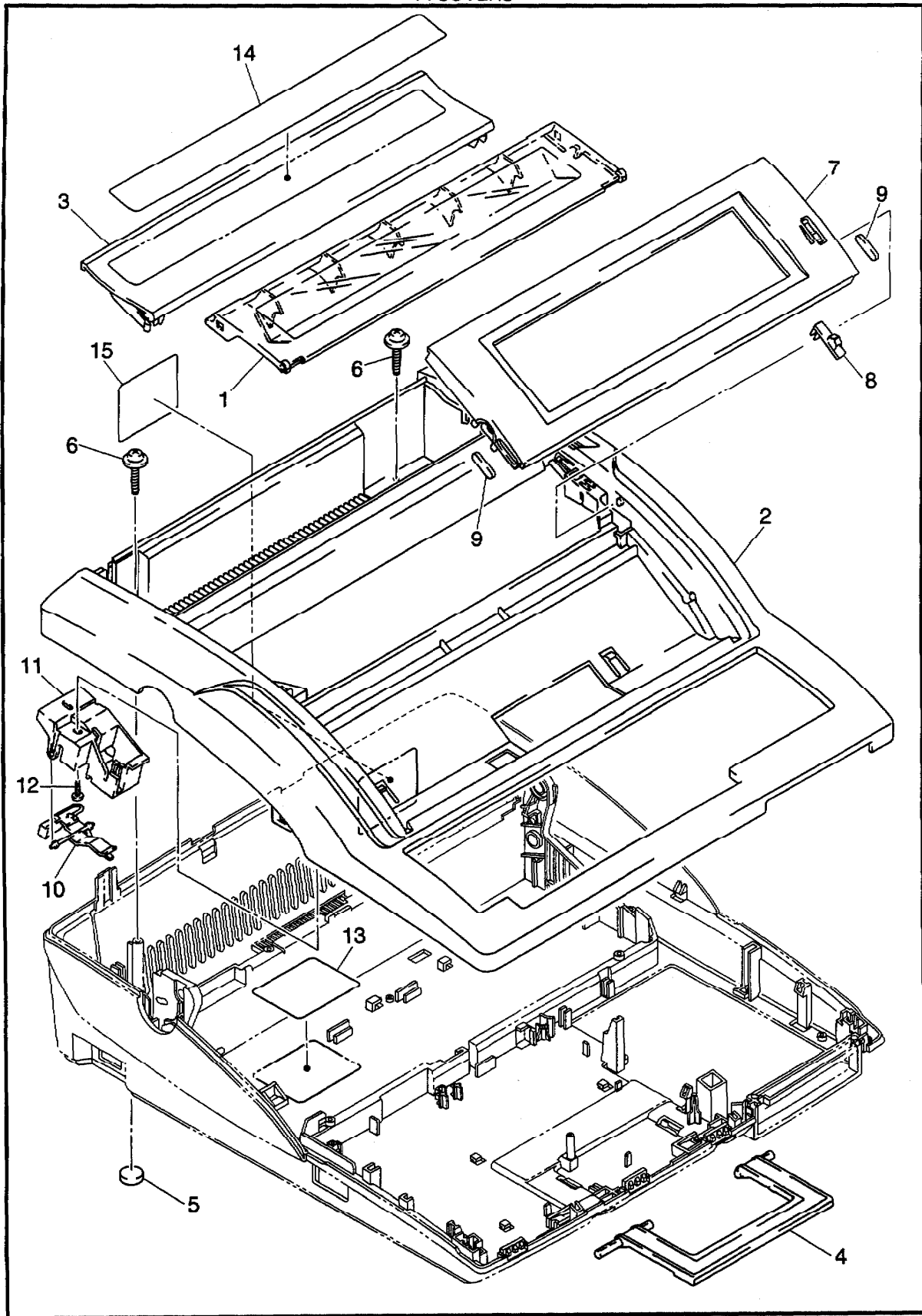
CONTENTS

1 . COVERS	1
2 . LCD PCB ASSEMBLY.....	3
3 . FLOPPY DISK DRIVE ASSEMBLY.....	3
4 . PRINTED MATTERS.....	5
5 . PACKING MATERIALS.....	5
6 . MAIN PCB ASSEMBLY.....	7
7.1 . KEYBOARD	9
INDEX	11

NOTE: This parts list shows the exclusively for the models WP-1700MDS.
As for the below, refer to the models WP-700D parts reference list.

PAPER METER ASSEMBLY
PLATEN MECHANISM
CHASSIS ATTACHMENTS
MOTOR
CARRIER MECHANISM
DETECTOR
CASE
PS PCB ASSEMBLY
ADJUSTING TOOL KIT

1. COVERS



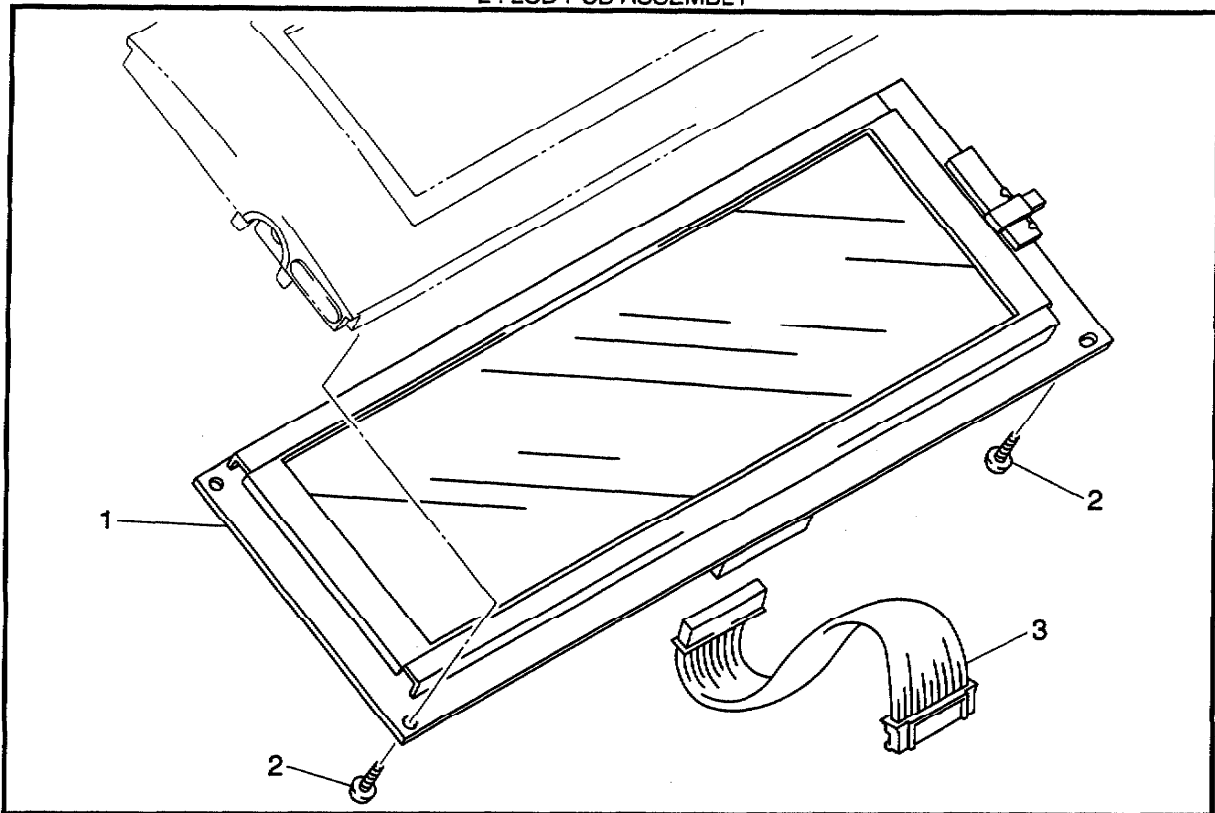
MODEL WP-1700MDS 52V-122-061

1. COVERS

REF.NO.	CODE	QTY	DESCRIPTION	REMARKS
1	US0023000	1	TOP COVER	
2	US0024020	1	UPPER COVER, WHITE1250	
3	US0025020	1	PAPER SUPPORTER, WHITE1250	
4	UA5284020	1	HANDLE, WHITE1250	
5	U41192001	2	FELT FOOT	
6	UA3691001	2	TAPTITE, CUP B M4X16	
7	US0029020	1	LCD COVER 14,WHITE1250	
8	US0031020	1	LCD CONTRAST CONTROLLER,WHITE1250	
9	US0099001	2	LCD RUBBER	
10	US0052000	1	CA INDEX ACTUATOR	
11	US0053000	1	ACTUATOR HOLDER	
12	U05404001	1	TAPTITE, BIND B M3X8	
13	UC5056001	1	ATTENTION LABEL	
14	US0097001	1	DEMO LABEL(US)	
14	US0233001	1	DEMO LABEL(AUS,NZL,SGP)	
14	US0247001	1	DEMO LABEL(CAN,E/F)	
14	US0298001	1	DEMO LABEL(MEX,CHL)	
15	US0098001	1	RATING LABEL(US)	
15	US0234001	1	RATING LABEL(AUS,NZL)	
15	US0237001	1	RATING LABEL(SGP)	
15	US0248001	1	RATING LABEL(CAN,E/F)	
15	US0299001	1	RATING LABEL(MEX)	
15	US0301001	1	RATING LABEL(CHL)	

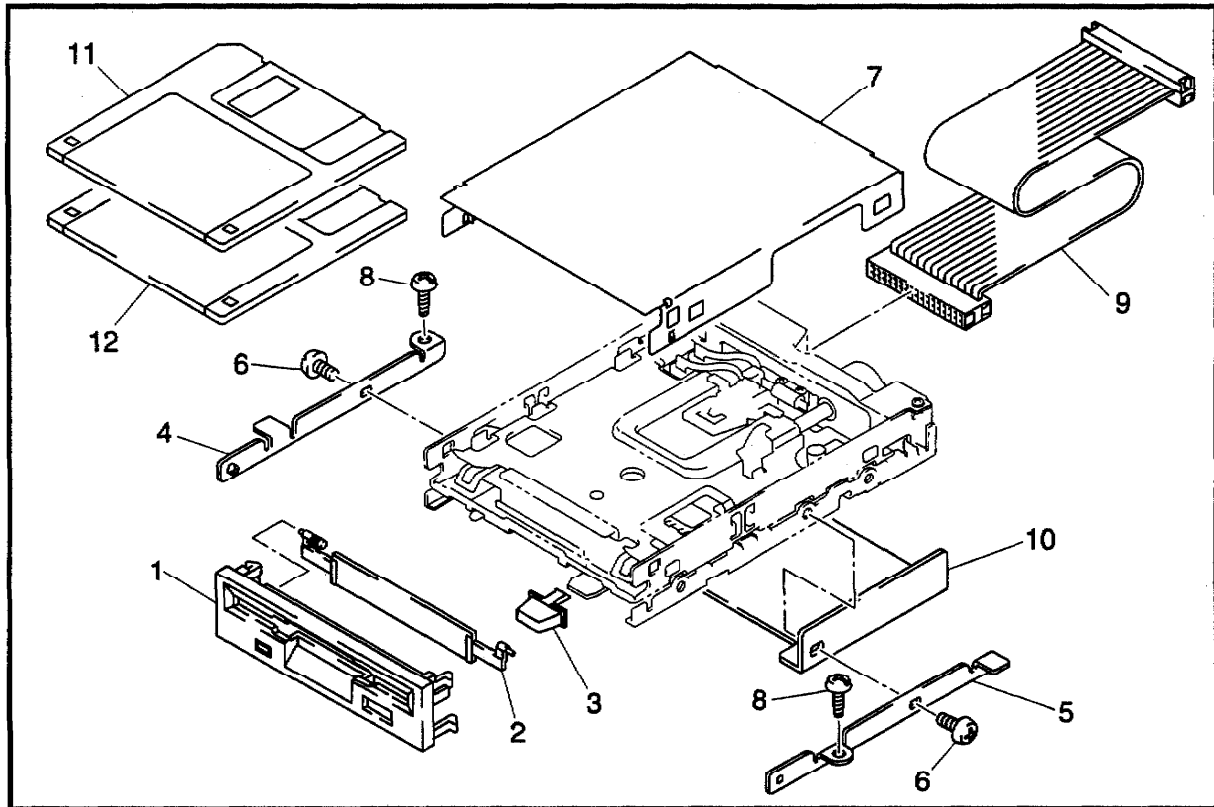
MODEL WP-1700MDS 52V-122-061

2. LCD PCB ASSEMBLY



MODEL WP-1700MDS 52V-122-108

3. FLOPPY DISK DRIVE ASSEMBLY



MODEL WP-1700MDS 52V-122-302

2 . LCD PCB ASSEMBLY

REF.NO.	CODE	QTY	DESCRIPTION	REMARKS
1	US0153001	1	LCD:480X128 (SP)	
2	U05404001	2	TAPTITE, BIND B M3X8	
3	US0199001	1	LCD HARNESS ASSY 2-DELTA	

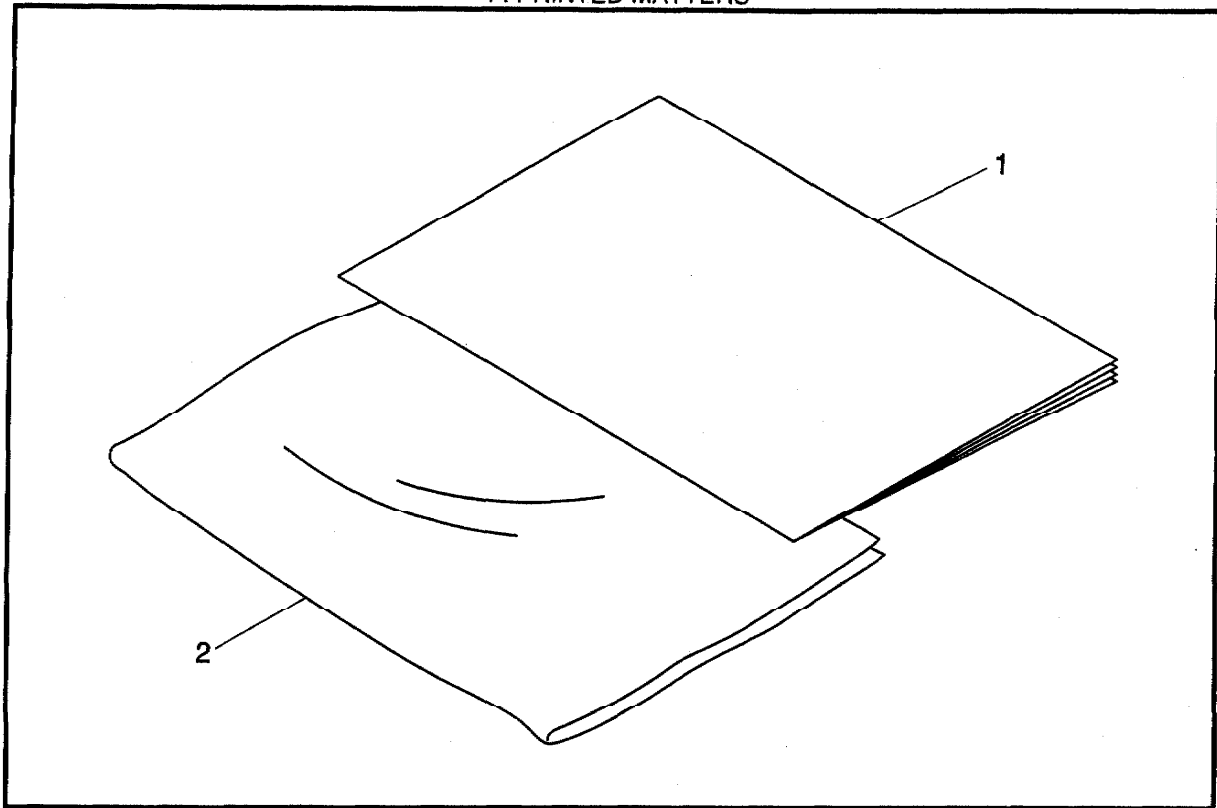
MODEL WP-1700MDS 52V-122-108

3 . FLOPPY DISK DRIVE ASSEMBLY

REF.NO.	CODE	QTY	DESCRIPTION	REMARKS
1-7	US0155020	1	FDD MI2HD (SP)	
1	UA8744020	1	FRONT BEZEL MI	
2	UA8745020	1	SHUTTER MI	
3	UA8746020	1	EJECT BUTTON MI	
4	UA8707000	1	INSTALLATION PLATE L	
5	UA8708000	1	INSTALLATION PLATE R	
6	UA8748001	2	SCREW, BIND M3X4	
7	UA8747000	1	SHIELD CASE A	
8	U05404001	2	TAPTITE, BIND B M3X8	
9	US0208001	1	FDD HARNESS ASSY	
10	US0216001	1	FDD SHIELD PLATE	
11	US0107001	1	2HD DISK ASSY 1 (US,NZL,SGP)	
12	US0113001	1	2HD DISK ASSY 10(SGP)	
12	US0259001	1	2HD DISK ASSY 6 AUS)	
12	US0265001	1	2HD DISK ASSY 5 (CAN,E/F)	
12	US0267001	1	2HD DISK ASSY 8 (NZL)	
12	US0307001	1	2HD DISK ASSY 11 (MEX,CHL)	

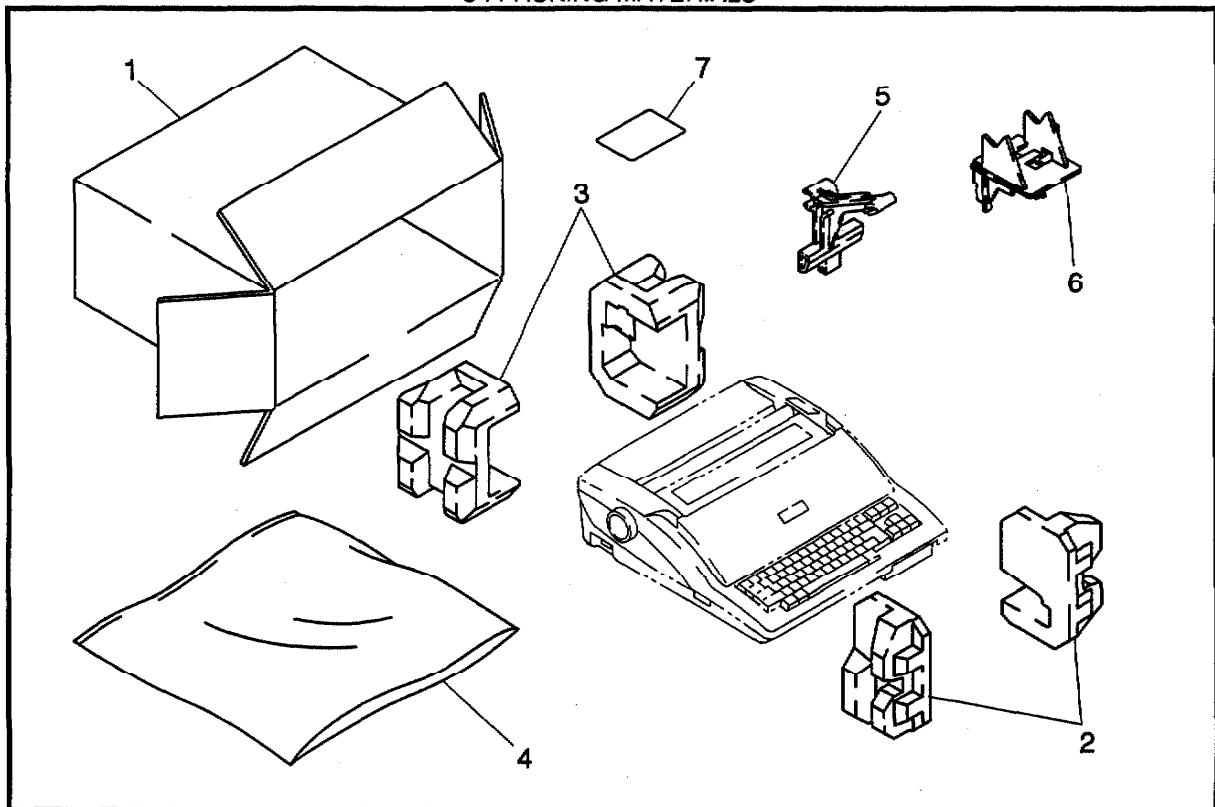
MODEL WP-1700MDS 52V-122-302

4. PRINTED MATTERS



MODEL WP-1700MDS 52V-122-920

5. PACKING MATERIALS



MODEL WP-1700MDS 52V-122-930

4. PRINTED MATTERS

REF.NO.	CODE	QTY	DESCRIPTION	REMARKS
1	US0136001	1	USER'S MANUAL, USA.ENGLISH	
1	US0244001	1	USER'S MANUAL, CAN.ENGLISH	
1	US0245001	1	USER'S MANUAL, CAN.FRENCH	
1	US0295001	1	USER'S MANUAL, USA.SPANISH	
2	UA7282001	1	PERFORATED BAG	

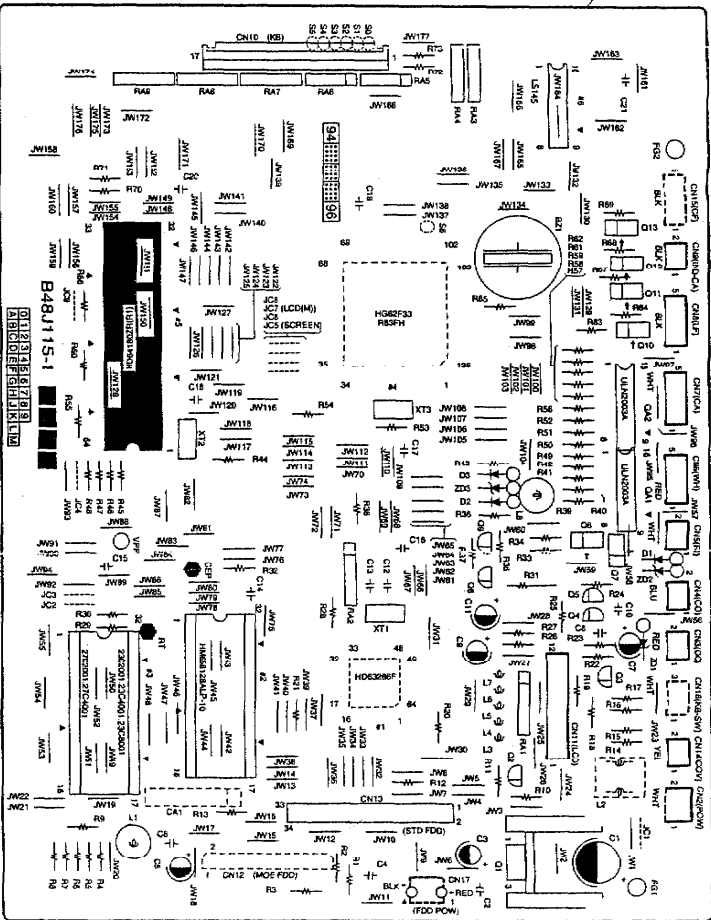
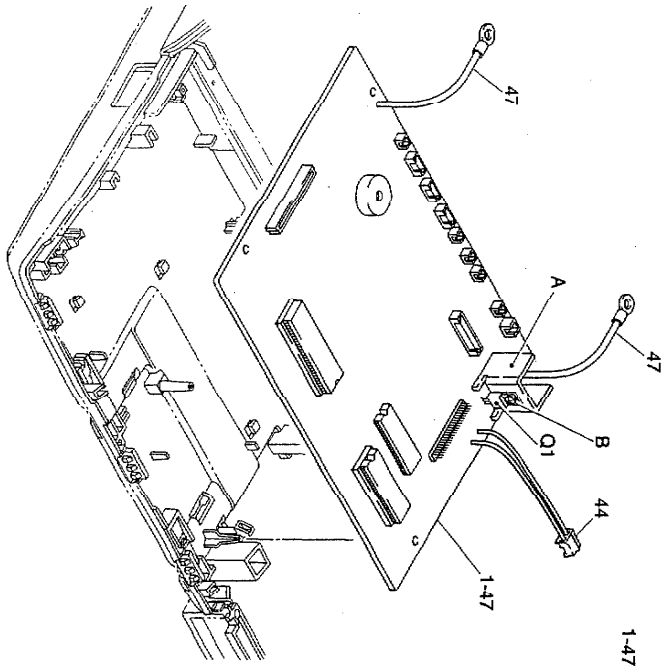
MODEL WP-1700MDS 52V-122-920

5. PACKING MATERIALS

REF.NO.	CODE	QTY	DESCRIPTION	REMARKS
1	US0123022	1	CARTON(US)	
1	US0235054	1	CARTON(AUS,NZL)	
1	US0249041	1	CARTON(CAN,E/F)	
1	US0300054	1	CARTON(MEX,CHL)	
2	US0087000	1	STYROFOAM PAD A	
3	US0088000	1	STYROFOAM PAD B	
4	UA7283001	1	PERFORATED BAG	
5	US2441001	1	CARRIAGE STOPPER	
6	US0089001	1	RIBBON CASSETTE STOPPER	
7	U08376001	1	MAPLE LEAF LABEL(CAN,E/F)	

MODEL WP-1700MDS 52V-122-930

6. MAIN PCB ASSEMBLY



SPEC. NO. TABLE

REV. NO.	SPEC. NAME	DIFFERENCE				SOLDER POINT NO.
		#3 (ROM)	ZD3	JC1-JC9 (JUMPER WIRE (0MM))		
SPEC. NO.	DESIGN CHANGE SYMBOL	PART CODE (REF. NO.)	PART CODE (REF. NO.)	JC9 JC8 JC7 JC6 JC5 JC4 JC3 JC2 JC1 S3 S5 S4 S3 S2 S12 S0		
51	A	USA ENGLISH	US0197001 (2A)	UI8277000 (14)	X X X X X X X X X X X X X X X X	
52	A	AUSTRALIA			X X X X X X X X X X X X X X X X	
61		CANADA	US0269001 (2B)		X X X X X X X X X X X X X X X X	

O . . . JUMPER WIRE :MOUNT
 SOLDER POINT :SOLDER

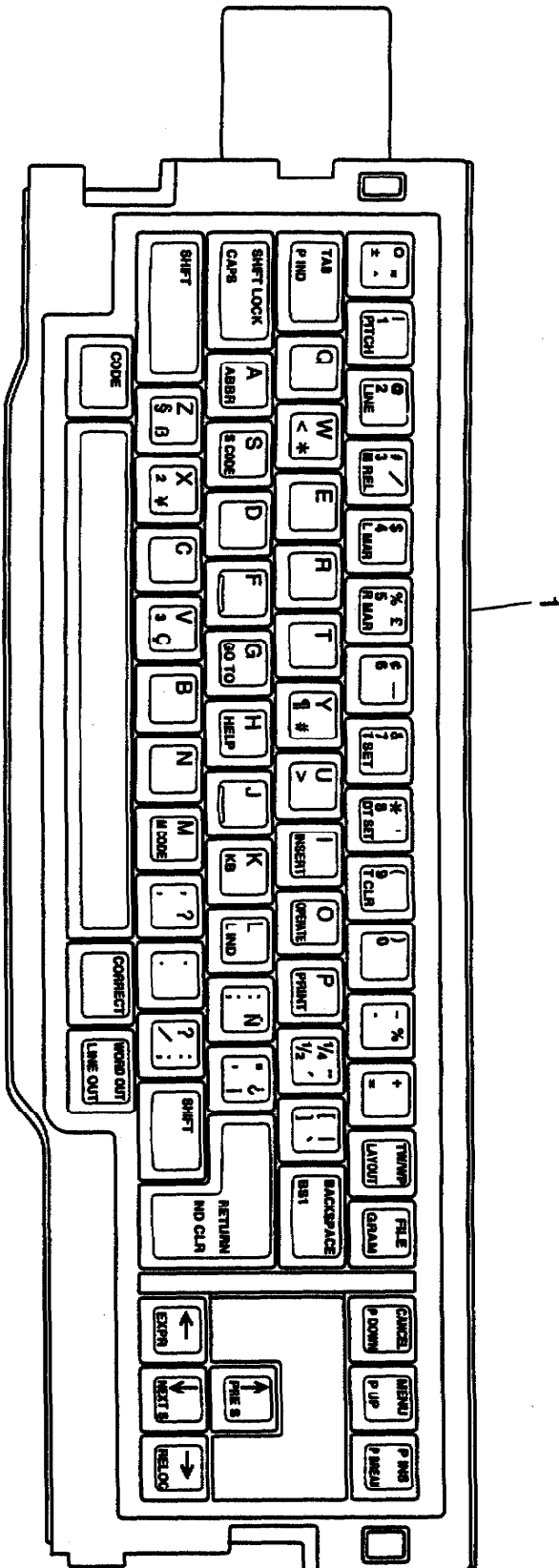
X . . . JUMPER WIRE :DO NOT MOUNT
 SOLDER POINT :DO NOT SOLDER

6. MAIN PCB ASSEMBLY

REF.NO.	SYMBOL	CODE	QTY	DESCRIPTION	REMARKS
1-47	B48J115-151A	US0145051	1	MAIN PCB ASSY 2A+1 (SP) US	
1-47	B48J115-152A	US0145052	1	MAIN PCB ASSY 2A+1 (SP) AUS,NZL,SGP	
1-47	B48J115-261	US0145061	1	MAIN PCB ASSY 2A+1 (SP) CAN.E/F	
1	#5	UG1667000	1	MPU:HD64180ZPB	
2A	#3	US0197001	1	MASK ROM:8M-12	
2B	#3	US0269001	1	MASK ROM:8M-12	
3	#4	US0021000	1	GATE ARRAY HG62F33R63FH	
4	#1	UC2835000	1	LSI:HD63266F	
5	#2	UA8598000	1	PSEUDO SRAM:KM658128LP	
6	#6	091100145	1	IC:74LS145	
7	QA1,2	U36345000	2	TRANSISTOR AR:ULN2003A	
8	Q1	136345001	1	REGULATOR:7805	
9	Q7,8	U36679000	2	TRANSISTOR, :2SD2010	
10	Q2,4,5,6	UC2894000	4	TRANSISTOR, :2SC1740S	
11	C3,9	U15090000	2	TRANSISTOR, :2SA1115	
12	XT1,2,3	UA6253000	3	CERAMIC OSCILLATOR:CST16M2C3	
13	ZD2	UC4984000	1	DIODE, ZENER:HZ36-1	
14	ZD3	U18277000	1	DIODE, ZENER:RD22EB3	
15	ZD1	UA3033000	1	DIODE, ZENER:HZ6C1L	
16	D2,3	U34427000	2	DIODE, :1SS120	
17	L8	US0202000	1	COIL, LHL0810ZJ	
18	BZ1	132613001	1	BUZZER:PKM24	
19	C2,8,10,14,15,16, 17,18,19,20,21	U10389000	11	CAPACITOR, CERAMIC 25B104Z-249	
20	C1	Y41012902	1	CAPACITOR, ALUM-ELEC 16B101SME	
21	C3,7	Y41011902	2	CAPACITOR, ALUM-ELEC 10B101SME	
22	C11	Y42202902	1	CAPACITOR, ALUM-ELEC 16B220SME	
23	C9	Y44704902	1	CAPACITOR, ALUM-ELEC 35B470	
24	R20,28	090101120	2	FIXED RESISTOR, D-A14YJ101	
25	R26,27,32,38-42, 44-52,54,56-59,61	090221120	23	FIXED RESISTOR, D-A14YJ221	
26	R15,16,19,22,29, 30,35,43,62,65	090102120	10	FIXED RESISTOR, D-A14YJ102	
27	R24	090152120	1	FIXED RESISTOR, D-A14YJ152	
28	R23,33,34	090222120	3	FIXED RESISTOR, D-A14YJ222	
29	R4-7,14,17,18,25, 36,37,55,60,63,66, 72,73	090103120	16	FIXED RESISTOR, D-A14YJ103	
30	R11	090223120	1	FIXED RESISTOR, D-A14YJ223	
31	R10	090473120	1	FIXED RESISTOR, D-A14YJ473	
32	R53	090105120	1	FIXED RESISTOR, D-A14YJ105	
33	R31	Y04709512	1	RESISTOR, METAL FILM A1YJ47	
34	RA1,2	Y61025041	2	RESISTOR ARRAY, 102X5J	
35	RA5,6	Y61044041	2	RESISTOR ARRAY, 104X4J	
36	RA7-9	Y61023061	3	RESISTOR ARRAY, 102X3K	
37	RA3,4	Y61033061	2	RESISTOR ARRAY, 3Y103J	
38	CN3-5,9,14	U17118000	5	CONNECTOR:B2B-PH	
39	CN2	U04254000	1	CONNECTOR:B2B-XH-A	
40	CN6-8	U17535000	3	CONNECTOR:B5B-PH	
41	CN11	U41750000	1	CONNECTOR:B12B-PHK	
42	CN10	UA3044000	1	CONNECTOR:5229-17CPB	
43	CN13	US0206000	1	CONNECTOR, 34PIN	
44	CN17	US0207001	1	FDD POWER HARNESS ASSY	
45	A	UA5456000	1	HEAT SINK 7805	
46	B	U05404001	1	TAPTITE, BIND B M3X8	
47	FG1,2	UA3036001	2	GROUND WIRE	

MODEL WP-1700MDS 52V-122-102

7.1 . KEYBOARD



MODEL WP-1700MDS 52V-122-402

7.1 .KEYBOARD

REF.NO.	CODE	QTY	DESCRIPTION	REMARKS
1	US0212020	1	KB ASSY 02, GRAM	

MODEL WP-1700MDS 52V-122-402

INDEX

CODE	REF.NO.	Page
UA3033000	6 -15	8
UA3036001	6 -47	8
UA3044000	6 -42	8
UA3691001	1 -6	2
UA5284020	1 -4	2
UA5456000	6 -45	8
UA6253000	6 -12	8
UA7282001	4 -2	6
UA7283001	5 -4	6
UA8598000	6 -5	8
UA8707000	3 -4	4
UA8708000	3 -5	4
UA8744020	3 -1	4
UA8745020	3 -2	4
UA8746020	3 -3	4
UA8747000	3 -7	4
UA8748001	3 -6	4
UC2835000	6 -4	8
UC2894000	6 -10	8
UC4984000	6 -13	8
UC5056001	1 -13	2
UG1667000	6 -1	8
US0021000	6 -3	8
US0023000	1 -1	2
US0024020	1 -2	2
US0025020	1 -3	2
US0029020	1 -7	2
US0031020	1 -8	2
US0052000	1 -10	2
US0053000	1 -11	2
US0087000	5 -2	6
US0088000	5 -3	6
US0089001	5 -6	6
US0097001	1 -14	2
US0098001	1 -15	2
US0099001	1 -9	2
US0107001	3 -11	4
US0113001	3 -12	4
US0123022	5 -1	6
US0136001	4 -1	6
US0145051	6 -1-47	8
US0145052	6 -1-47	8
US0145061	6 -1-47	8
US0153001	2 -1	4
US0155020	3 -1-7	4
US0197001	6 -2A	8
US0199001	2 -3	4
US0202000	6 -17	8
US0206000	6 -43	8
US0207001	6 -44	8
US0208001	3 -9	4
US0212020	7.1 -1	10
US0216001	3 -10	4
US0233001	1 -14	2
US0234001	1 -15	2
US0235054	5 -1	6
US0237001	1 -15	2
US0244001	4 -1	6
US0245001	4 -1	6
US0247001	1 -14	2
US0248001	1 -15	2
US0249041	5 -1	6
US0259001	3 -12	4

CODE	REF.NO.	Page
US0265001	3 -12	4
US0267001	3 -12	4
US0269001	6 -2B	8
US0295001	4 -1	6
US0298001	1 -14	2
US0299001	1 -15	2
US0300054	5 -1	6
US0301001	1 -15	2
US0307001	3 -12	4
U04254000	6 -39	8
U05404001	1 -12	2
	2 -2	4
	3 -8	4
	6 -46	8
U08376001	5 -7	6
U10389000	6 -19	8
U15090000	6 -11	8
U17118000	6 -38	8
U17535000	6 -40	8
U18277000	6 -14	8
U34427000	6 -16	8
U36345000	6 -7	8
U36679000	6 -9	8
U41192001	1 -5	2
U41750000	6 -41	8
U62441001	5 -5	6
Y04709512	6 -33	8
Y41011902	6 -21	8
Y41012902	6 -20	8
Y42202902	6 -22	8
Y44704902	6 -23	8
Y61023061	6 -36	8
Y61025041	6 -34	8
Y61033061	6 -37	8
Y61044041	6 -35	8
090101120	6 -24	8
090102120	6 -26	8
090103120	6 -29	8
090105120	6 -32	8
090152120	6 -27	8
090221120	6 -25	8
090222120	6 -28	8
090223120	6 -30	8
090473120	6 -31	8
091100145	6 -6	8
132613001	6 -18	8
136345001	6 -8	8

brother.

May '94
52V003BE0