



PERSONAL WORD PROCESSOR

Parts List

Model: WP-5550/5600MDS

PARTS LIST

HOW TO USE THIS MANUAL

1. This parts list manual is a reference for ordering replacement parts for the applicable Brother product. It contains a detailed list of parts information, including:

- Part Number (Code)
- Quantity (per component/assembly/unit)
- Description (part name)
- Revision No. (for printed circuit boards)
- Reference Numbers in each parts list refer to illustration item numbers.

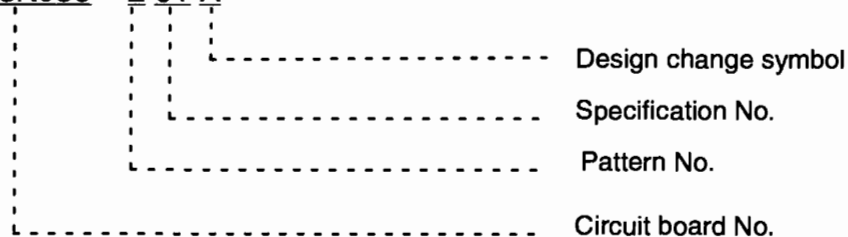
NOTE: All orders must include the correct Part(s) Number(s) (or Tool No.).

(1) (2) (3)

REF.NO.	CODE	QTY	DESCRIPTION	REMARKS

- (4) Revision No. (marked on a printed circuit board):

B48K056 – 2 01 A



2. Design-changed parts:

When parts have been redesigned (from the original model), one of the following symbols appears in the REMARKS column:

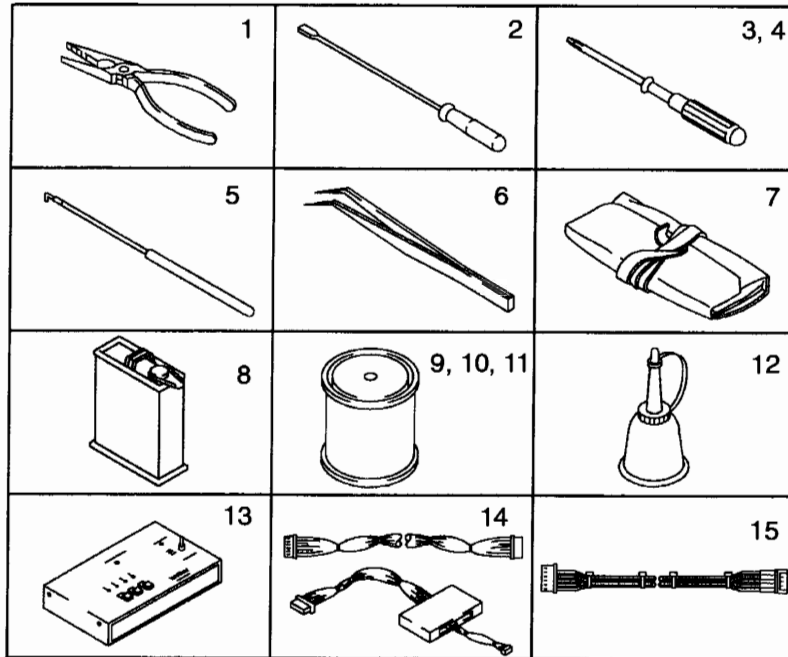
- #A – compatible between old & new
- #B – replaceable from old to new
- #D – incompatible
- # – new part (not existing in original model)

3. Parts are subject to change without prior notice.

CONTENTS

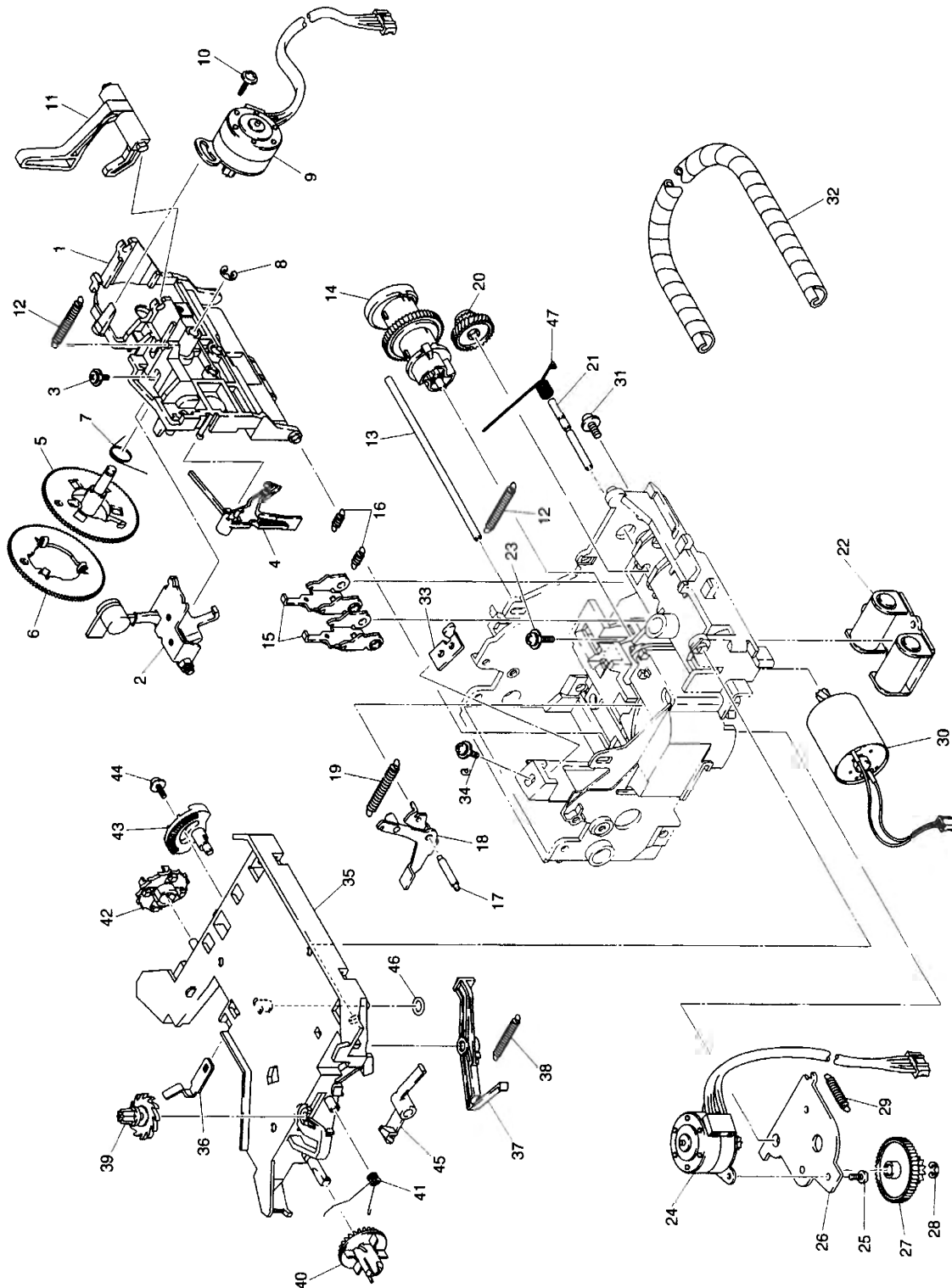
1. Tool List	3
2. Carrier Mechanism	4
3. Paper Meter Assembly	6
4. Platen Mechanism	7
5. Chassis Attachments	8
6. Motor	9
7. Covers	10
8. Floppy Disk Drive	12
9. Detector	13
10. Power Supply PCB	14
11. Monitor	16
12. Printed Material	18
13. Packing Material	19
14. Keyboard	20
15. Main PCB	21

1. TOOL LIST



REF. NO.	CODE	QTY	DESCRIPTION
1	ZX-1	1	Plier (150 mm)
2	ZX-11	1	Screwdriver (4.7x270 mm)
3	ZX-13	1	Screwdriver (Phillips #1)
4	ZX-14	1	Screwdriver (Phillips #2)
5	ZX-29	1	Hook for Spring
6	ZX-31	1	Tweezers (150 mm)
7	ZX-32	1	Tool Carrying Bag
8	ZX-42C	1	Lubricating Oil (Silicon Oil KFCS-100 1K)
9	ZX-43A	1	Lubricating Grease (EPINOC Grease #1 2.5kg)
10	ZX-43B	1	Lubricating Grease (Grease B 1kg)
11	ZX-43D	1	Lubricating Grease (Silicon G, KS64F 0.1kg)
12	ZX-44	1	Oiler
13	ZX-67A	1	Checker (CH-60A)
14	ZX-104	1	Checker Adapter Cable Kit (JP18)
15	ZX-163	1	Adapter Cable AX-D

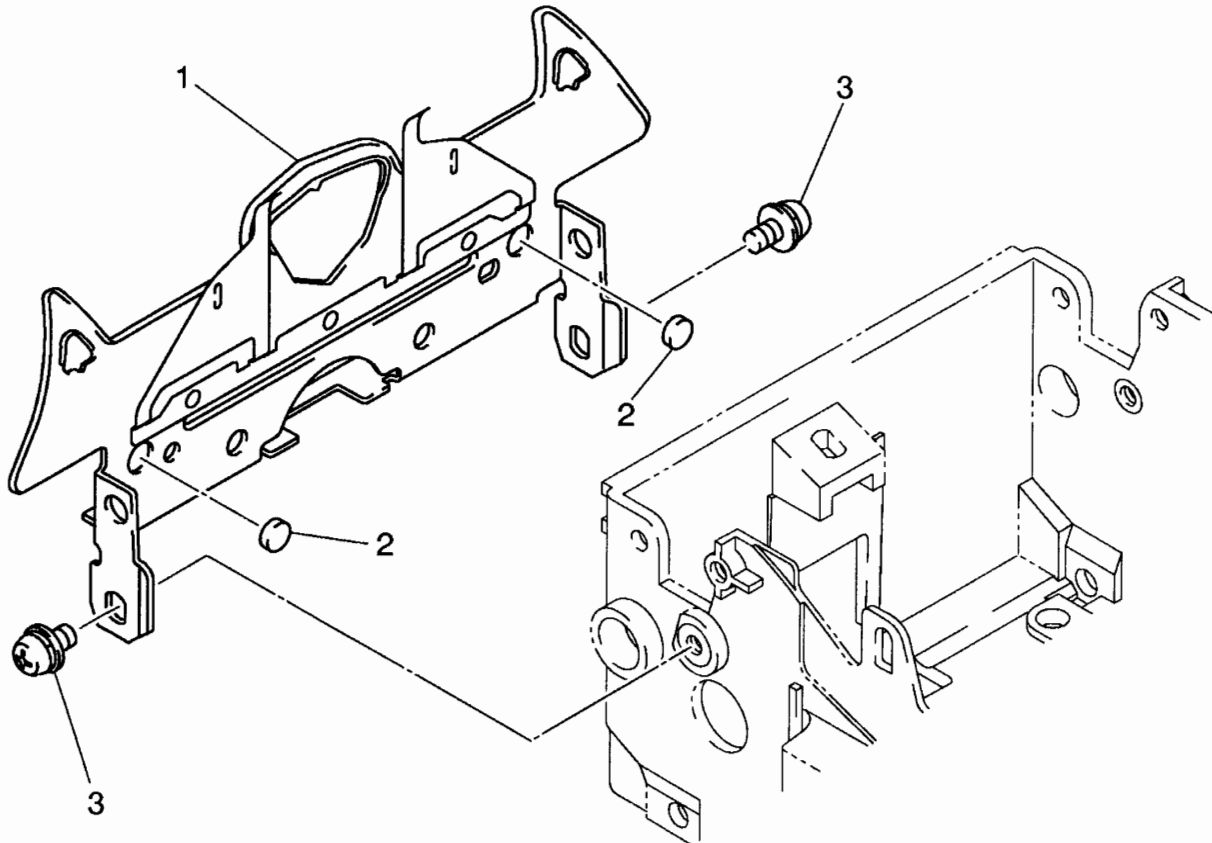
2. CARRIER MECHANISM (Functional Code 52V12899999043)



PARTS LIST**WORD PROCESSOR
WP-5550/5600MDS**

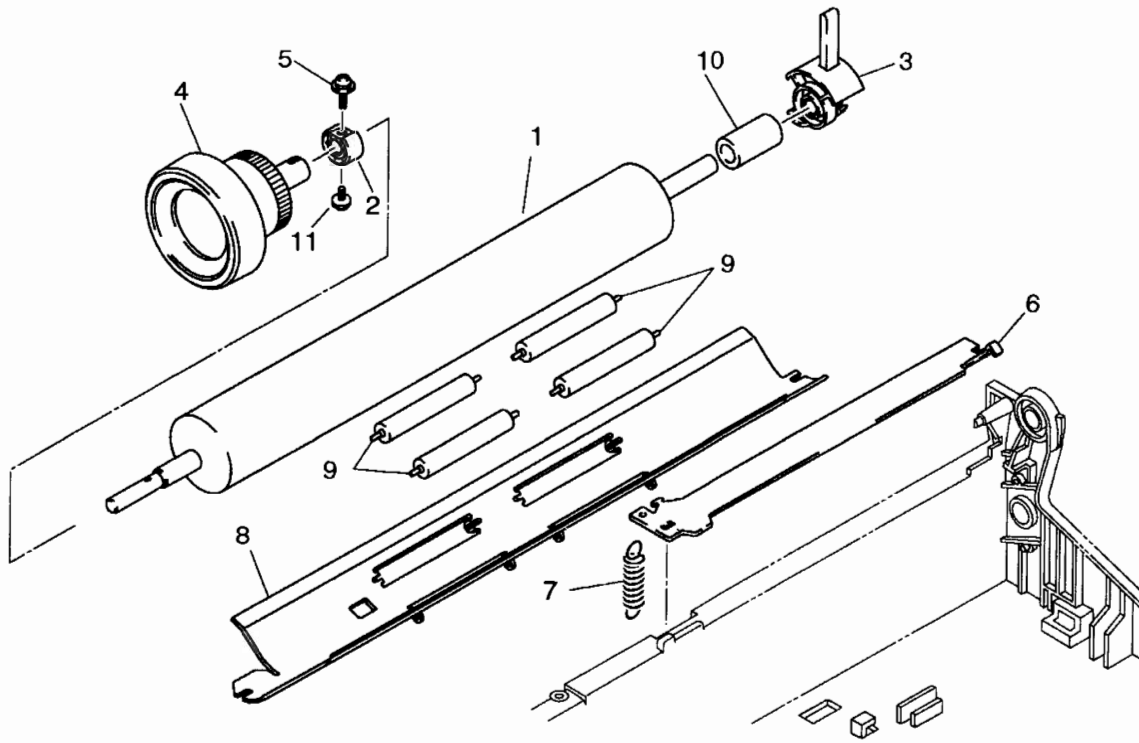
REF. NO.	CODE	QTY	DESCRIPTION	REMARKS
1-34	UC5327001	1	Head Holder Assy DS HB	
1	UC4842001	1	Daisy Wheel Motor Holder	
2	UC4843001	1	Hammer Holder Assy	
3	UC5227001	2	Screw, Bind (Washer) M26x5	
4	UC4849000	1	PW Home Position Lever	
5	UC5238001	1	Daisy Wheel Gear	
6	U08858001	1	Daisy Wheel Sub Gear	
7	U08629001	1	Spring	
8	48030346	1	Retaining Ring, E3	
9	UC5348001	1	Daisy Wheel Motor	
10	U12287001	2	Taptite, Cup B M2.6x10	
11	UC4853001	1	Lock Lever	
12	UC5247001	2	Spring, Extension	
13	UC4855001	1	Lock Shaft	
14	UC4857001	1	Clutch Assy	
15	UC5304001	2	Armature Assy DS	
16	UC5307001	2	Spring, Extension	
17	UC4876001	1	Shaft	
18	UC4877001	1	Hammer Drive Crank Sub Assy	
19	UC4880001	1	Spring, Extension	
20	UC5225000	1	DC Intermediate Gear	
21	UC4881001	1	Shaft	
22	UC5308001	1	Hammer Solenoid Assy DS	
23	UC5239001	2	Screw, Pan (S/P Washer) M3x8	
24	UC4887001	1	CA Motor	
25	62260406	2	Screw, Pan M2.6x4	
26	UC4888001	1	CA Motor Holder Sub Assy	
27	UC4891000	1	CA Intermediate Gear	
28	48030345	1	Retaining Ring, E3	
29	UC4892001	1	Spring, Extension	
30	UC4895001	1	Ribbon Motor Assy	
31	UC5167001	2	Screw, Pan (Washer) M3x5.5B	
32	UC5347001	1	Spiral Tube	
33	UC5241000	1	Daisy Wheel Lock Plate	
34	0A5300805	1	Screw, PA NS/P Washer M3x8	
35-47	UC5066001	1	Ribbon Vibrator Assy HB	
35	UC5067001	1	Ribbon Vibrator HB	
36	UC5021000	1	Ribbon Cassette Lock Ratchet	
37	UC5344000	1	Ribbon Feed Crank	
38	UC5345001	1	Spring	
39	UC4815000	1	Ribbon Feed Ratchet Wheel	
40	UC4816000	1	CO Spool Spindle L	
41	UC4817001	1	CO Spring	
42	UC4818000	1	CO Spool Ratchet Wheel	
43	UC4819000	1	Ribbon Vibrator Adjust Shaft	
44	574993001	1	Taptite, Cup B M3x8A	
45	UC4820000	1	Ribbon Vibrator Lock Lever	
46	UC5248000	1	O Ring	
47	UC5232001	1	Spring	

3. PAPER METER ASSEMBLY (Functional Code 52V1289999016)



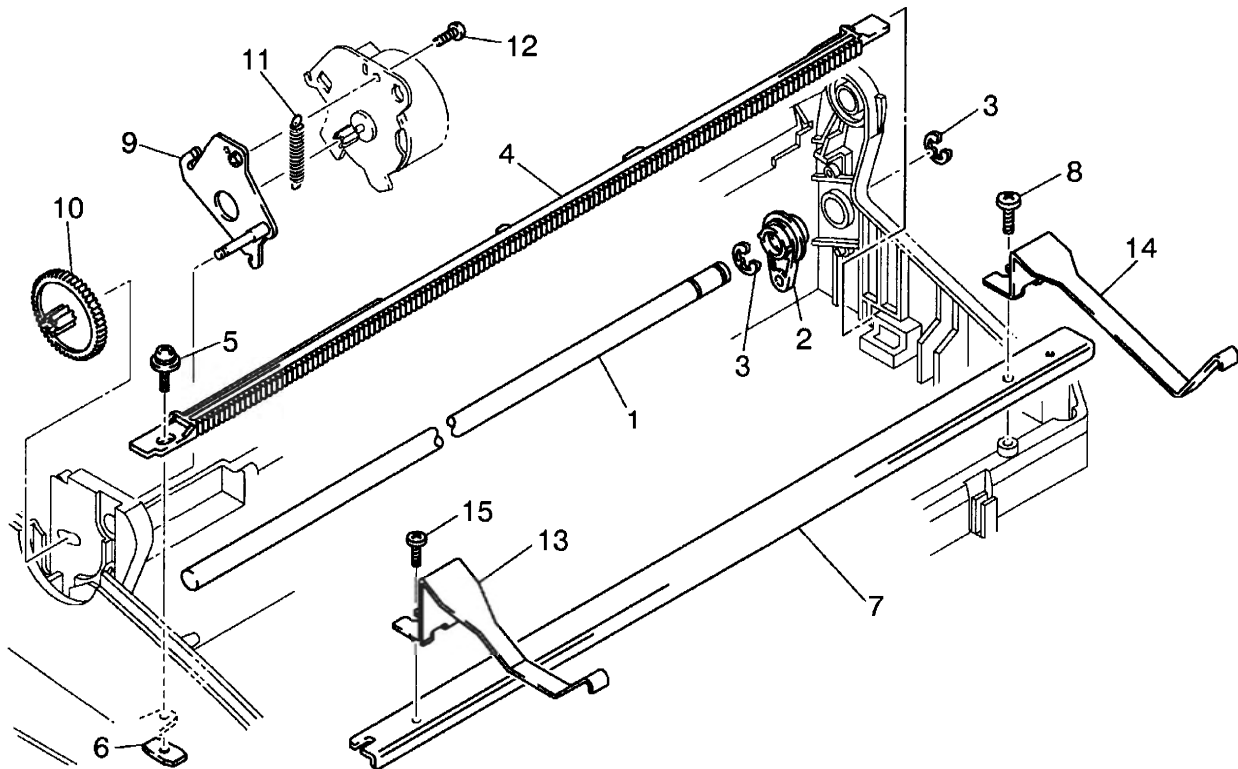
REF. NO.	CODE	QTY	DESCRIPTION	REMARKS
1-2	UC5242001	1	Paper Meter Assy	
1	UC4899001	1	Paper Meter Sub Assy	
2	UC5240001	2	PW Cassette Pad Rubber	
3	UC5139001	2	Screw, Pan (Washer) M4X6DA	

4. PLATEN MECHANISM (Functional Code 52V1289999031)



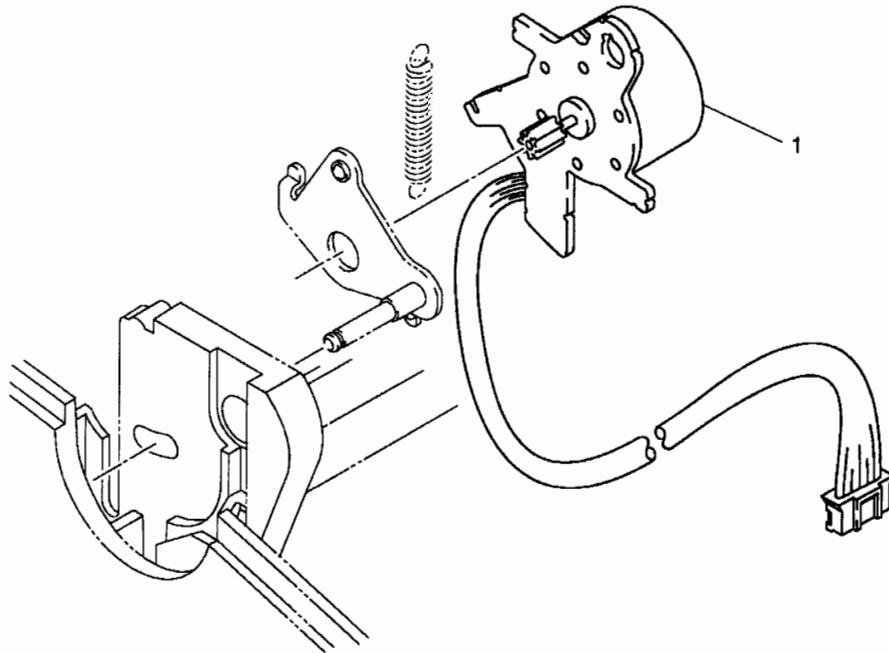
REF. NO.	CODE	QTY	DESCRIPTION	REMARKS
1	UC4821001	1	Platen 12S	
2	UC5315001	1	Collar Left	
3	UC5314021	1	Paper Release Lever, Gray 1251	
4	UC5313021	1	Platen Knob, Gray 1251	
4	UC5313020	1	Platen Knob, White 1250	
5	US0324001	1	Screw, Bind M3x6 Toothed Washer	
6	UC4828000	1	Paper Pan Hold Plate	
7	UC4829001	1	Spring, Extension	
8	UC4825001	1	Paper Pan Assy	
9	U05656001	4	Paper Hold Roller	
10	UC5322001	1	Collar Right	
11	US0325001	1	Screw, Bind M3x8 Toothed Washer	

5. CHASSIS ATTACHMENTS (Functional Code 52V12899999034)



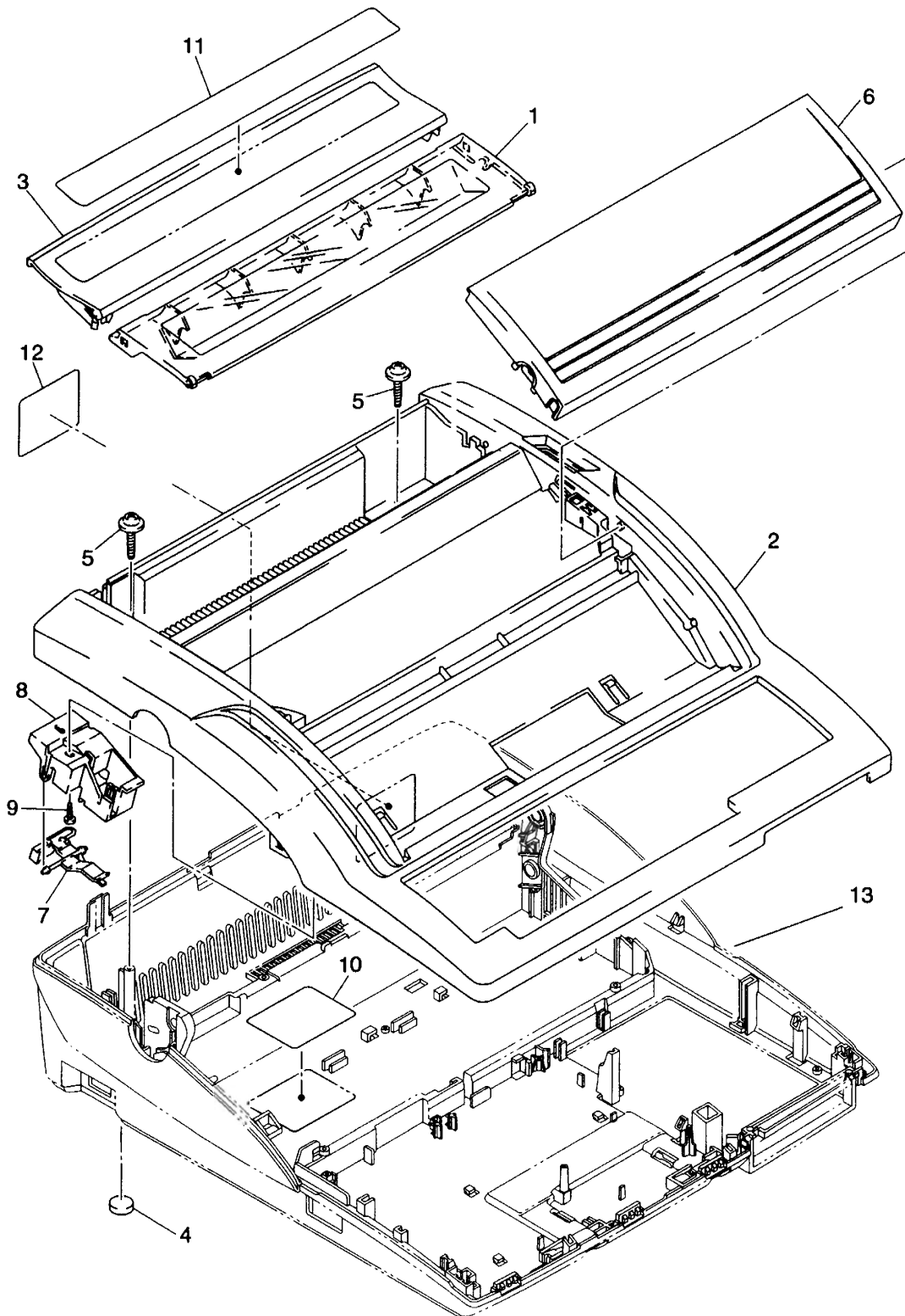
REF. NO.	CODE	QTY	DESCRIPTION	REMARKS
1	UC5026001	1	Head Guide Shaft	
2	UA4215000	1	Carrier Rail Bearing B	
3	48070345	2	Retaining Ring, E7	
4	UC4830000	1	Rack	
5	U22702001	1	Screw, Pan (S/P Washer) M3x10	
6	UC4902001	1	Plate Nut 3	
7	UC4833000	1	Guide Rail	
8	85361015	1	Taptite, Bind B M35x10	
9	UC4834001	1	LF Gear Holder Sub Assy	
10	UC4837000	1	Paper Feed Idle Gear	
11	UC4838001	1	Spring, Extension	
12	60260405	1	Screw, Bind M2.6x4	
13	US0191000	1	Plate 1	
14	US0192000	1	Plate 2	
15	U11330001	1	Taptite, Pan S M3x6	

6. MOTOR (Functional Code 52V12899999054)



REF. NO.	CODE	QTY	DESCRIPTION	REMARKS
1	UC5001001	1	Paper Feed Motor	

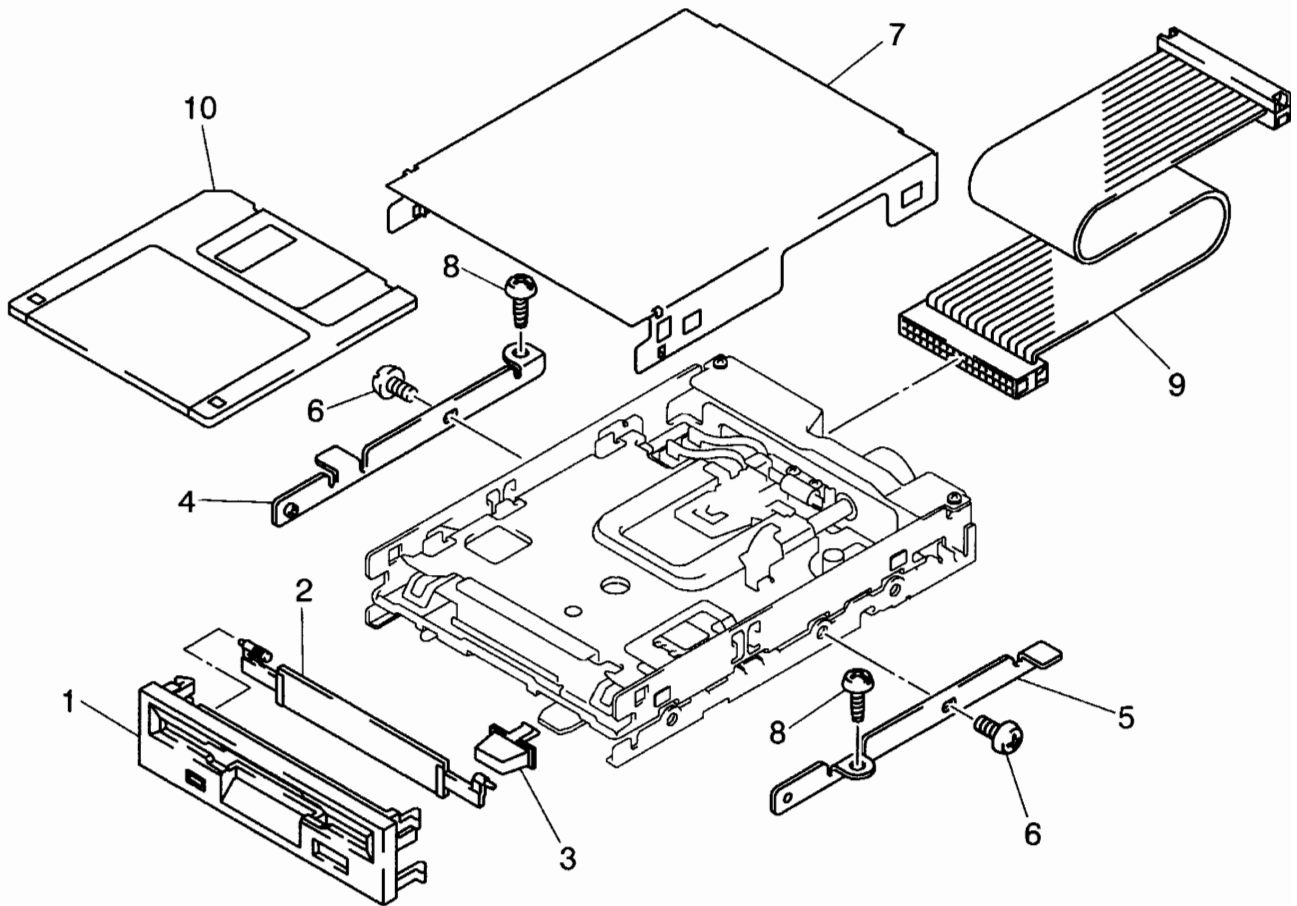
7. COVERS (Functional Code 52V1289999061)



PARTS LIST**WORD PROCESSOR
WP-5550/5600MDS**

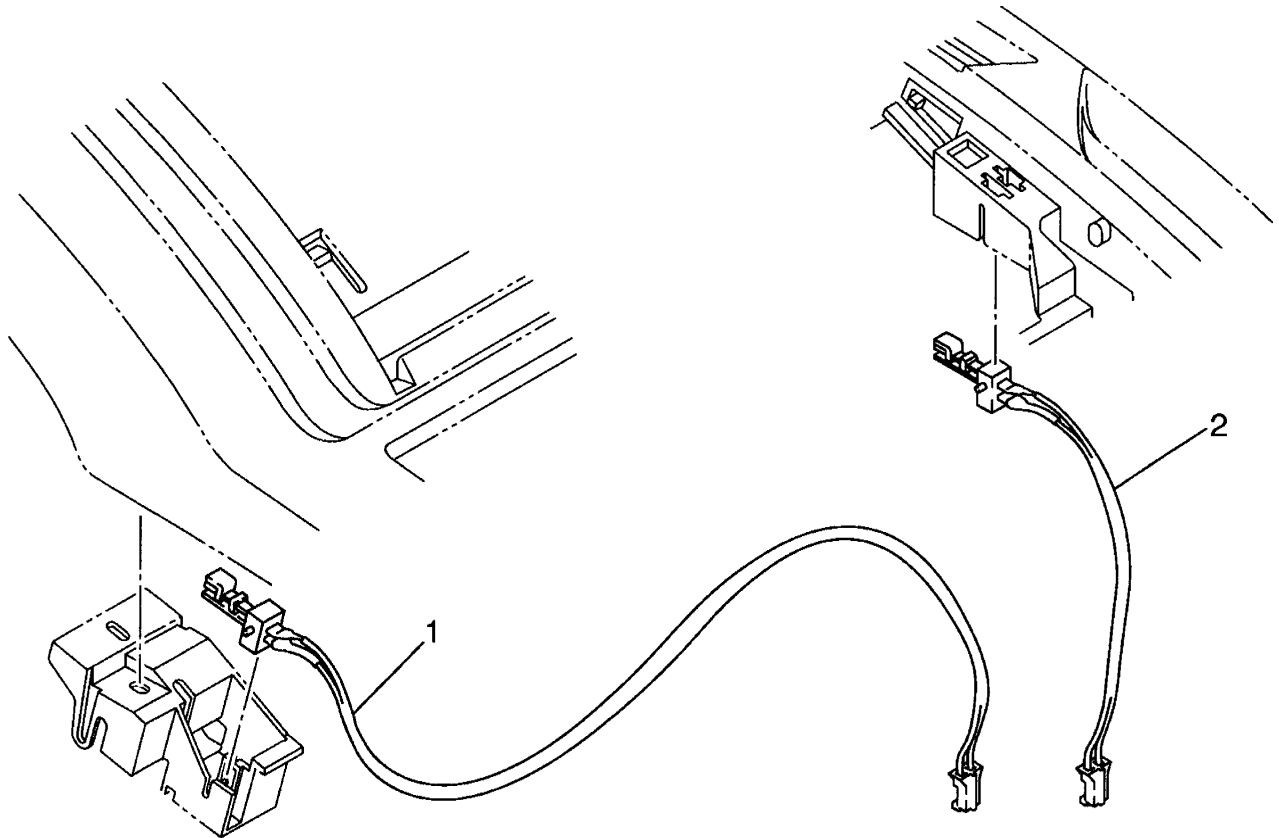
REF. NO.	CODE	QTY	DESCRIPTION	REMARKS
1	US0023000	1	Top Cover	
2	US0024021	1	Upper Cover, Gray 1251	
3	US0025021	1	Paper Supporter, Gray 1251	
4	U41192001	2	Felt Foot	
5	085411615	2	Taptite, Bind B M4x16	
6	US0686021	1	LCD Cover, WP5600MDS Gray 1251	
6	US1003021	1	LCD Cover, WP5550MDS Gray 1251	
7	US0052000	1	CA Index Actuator	
8	US0053000	1	Actuator Holder	
9	U05404001	1	Taptite, Bind B M3x8	
10	US0328001	1	Attention Label	
11	US0687001	1	Demo Label, WP5600MDS China	
11	US1004001	1	Demo Label, WP5550MDS	
12	US0689001	1	Rating Label, WP5600MDS	
12	US1002001	1	Rating Label, WP5550MDS	
13	US0034021	1	Bottom Cover, Gray 1251	

8. FLOPPY DISK DRIVE (Functional Code 52V1289999302)



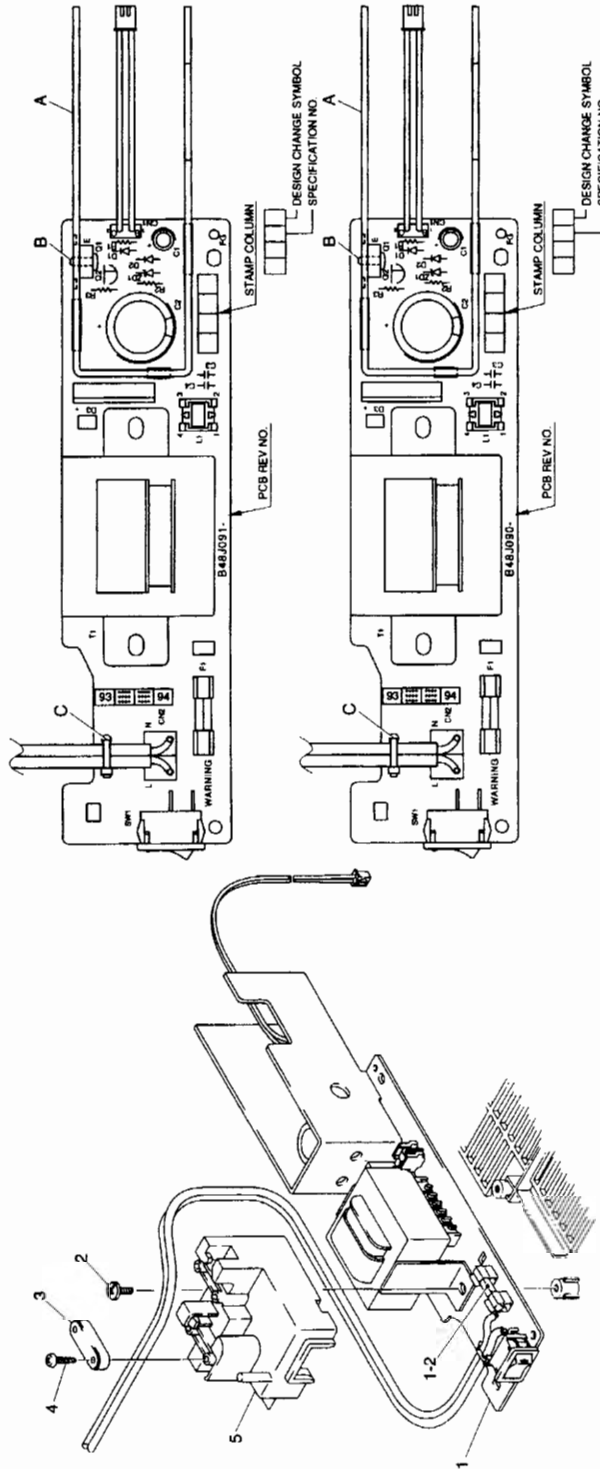
REF. NO.	CODE	QTY	DESCRIPTION	REMARKS
1	UA8744021	1	Front Bezel MI	
2	UA8745021	1	Shutter MI	
3	UA8746021	1	Eject Button MI	
4	UA8707000	1	Installation Plate L	
5	UA8708000	1	Installation Plate R	
6	UA8748001	2	Screw, Bind M3X4	
7	UA8747000	1	Shield Case A	
8	U05404001	2	Taptite, Bind B M3X8	
9	US0208001	1	FDD Harness Assy	
10	US0703001	1	2HD Disk Assy 12	

9. DETECTOR (Functional Code 52V12899999100)



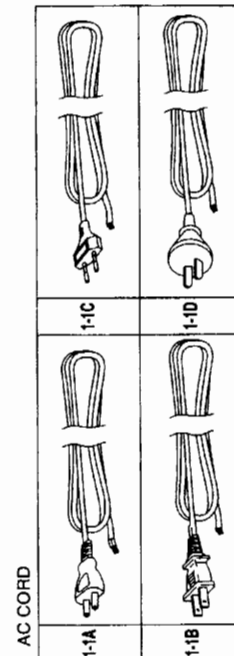
REF. NO.	CODE	QTY	DESCRIPTION	REMARKS
1	UA2161001	1	Leaf Switch Assy	
2	UA3677001	1	Leaf Switch Assy	

10. POWER SUPPLY PCB (Functional Code 52V1289999127)



SPEC. NO. TABLE

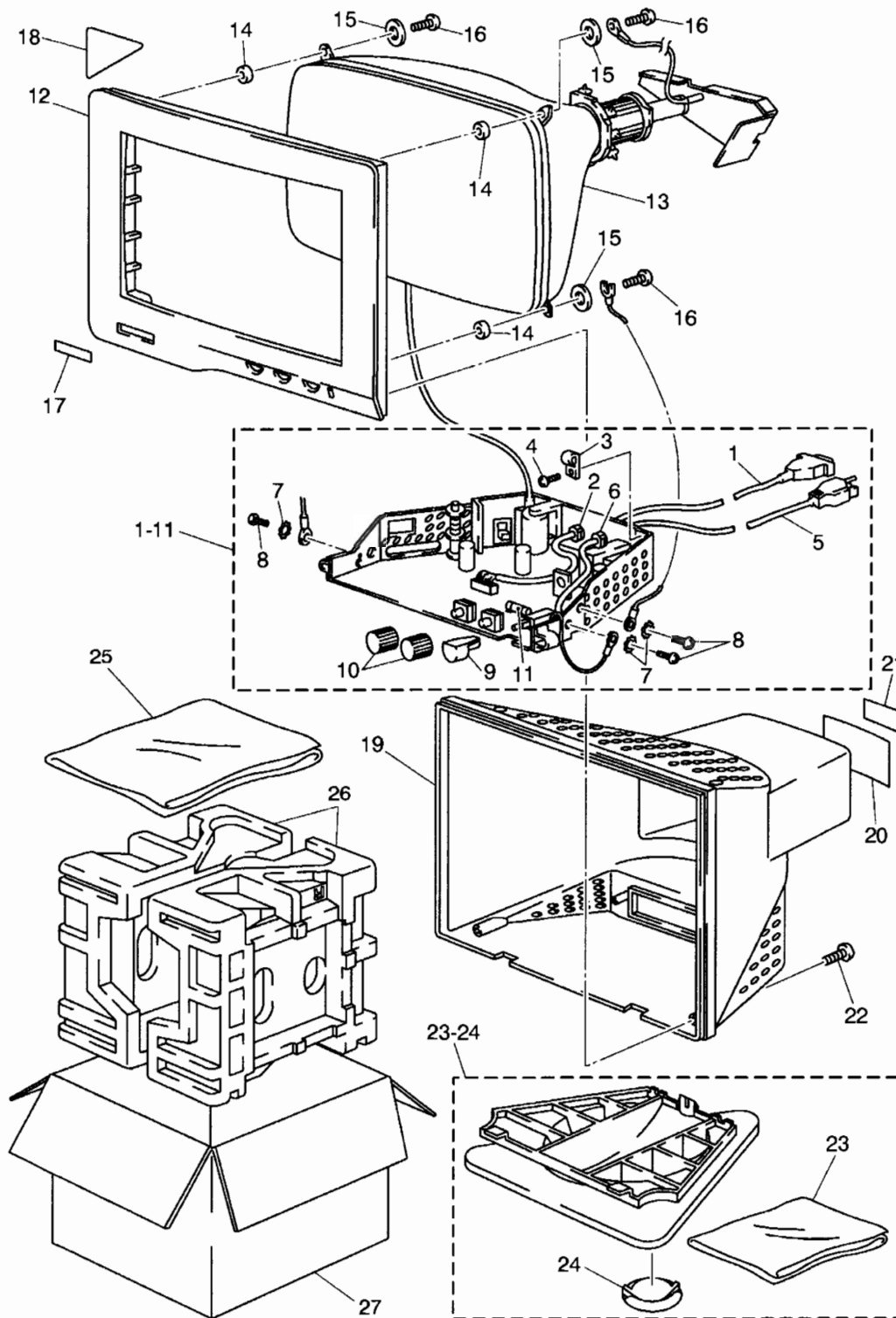
REV. NO.	SPEC. NAME	DIFFERENCE
SPEC. DESIGN CHANGE NO. SYMBOL	PCB NO. PART CODE (PART NAME)	CH2 (AC CODE) PART CODE (REF. NO.) F1 (GLASS FUSE) PART CODE (REF. NO.)
1	120V US	UC4926000 (PCB B48J090) UA3076001 (1-1A) UA3046000 (1-2A)
2	100V JPN	UC4927000 (PCB B48J091) UA3075001 (1-1B) UA3047000 (1-2B)
3	220V CHL	UA3077001 (1-1C) UA3045000 (1-2C)
5	240V AUS	UC4219001 (1-1D) *
7	120V MEX	UA3076001 (1-1A) UA3046000 (1-2A)
D	220-240V SGP	UA3077001 (1-1C) UA3045000 (1-2C)
E	127V SAU	* UA3046000 (1-2A)



PARTS LIST**WORD PROCESSOR
WP-5550/5600MDS**

REF. NO.	SYMBOL	CODE	QTY	DESCRIPTION
1	B48JO90-21	UC4964001	1	PS PCB Assy US1, 120v US (SP)
1	B48JO91-22	UC4964002	1	PS PCB Assy US1, 100v Japan (SP)
1	B48JO91-23	UC4964003	1	PS PCB Assy US1, 220v Chile (SP)
1	B48JO91-25	UC4964005	1	PS PCB Assy US1, 240v Aus (SP)
1	B48JO91-27	UC4964007	1	PS PCB Assy US1, 120v Mexico (SP)
1	B48JO91-2D	UC4964014	1	PS PCB Assy US1, 220-240v (SP)
1	B48JO91-2E	UC4964015	1	PS PCB Assy US1, 127v Sau (SP)
1	B48JO91-2F	UC4964016	1	PS PCB Assy US1, 120v Can (SP)
1	B48JO91-2H	UC4964017	1	PS PCB Assy US1, 240v Nzl (SP)
1-1A	CN2	UA3076001	1	AC Cord 115-S, 110-120v
1-1B	CN2	UA3075001	1	AC Cord 100-S, Jpn
1-1C	CN2	UA3077001	1	AC Cord 220v-S, Europe
1-1D	CN2	UC4219001	1	AC Cord, SAA2
1-2A	F1	UA3046000	1	Glass Fuse, 500MA5TT
1-2B	F1	UA3047000	1	Glass Fuse, 600MA5TT
1-2C	F1	UA3045000	1	Glass Fuse, 250MAS504
2		U11794001	2	Taptite, Cup B M4x12
3		571852001	1	Cord Clamp
4		037301615	2	Tapping Screw, Pan V M3x16
5		US0091001	1	PS Upper Cover

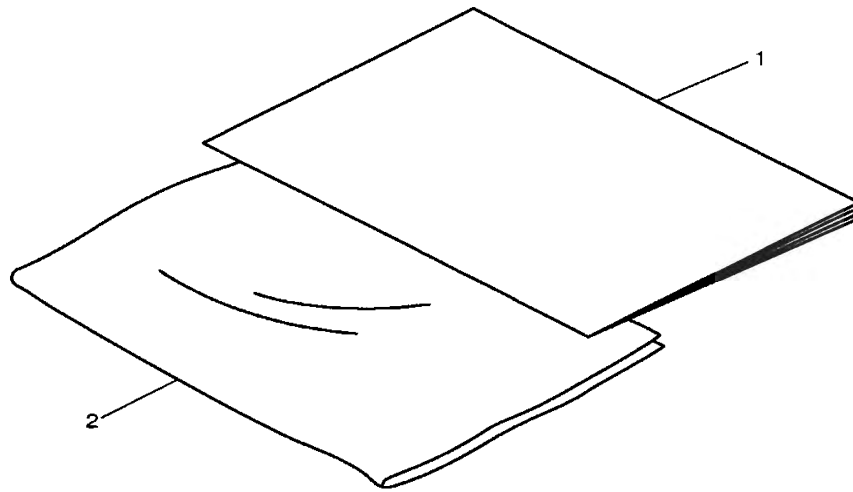
11. MONITOR (Functional Code 52V12899999300)



PARTS LIST**WORD PROCESSOR
WP-5550/5600MDS**

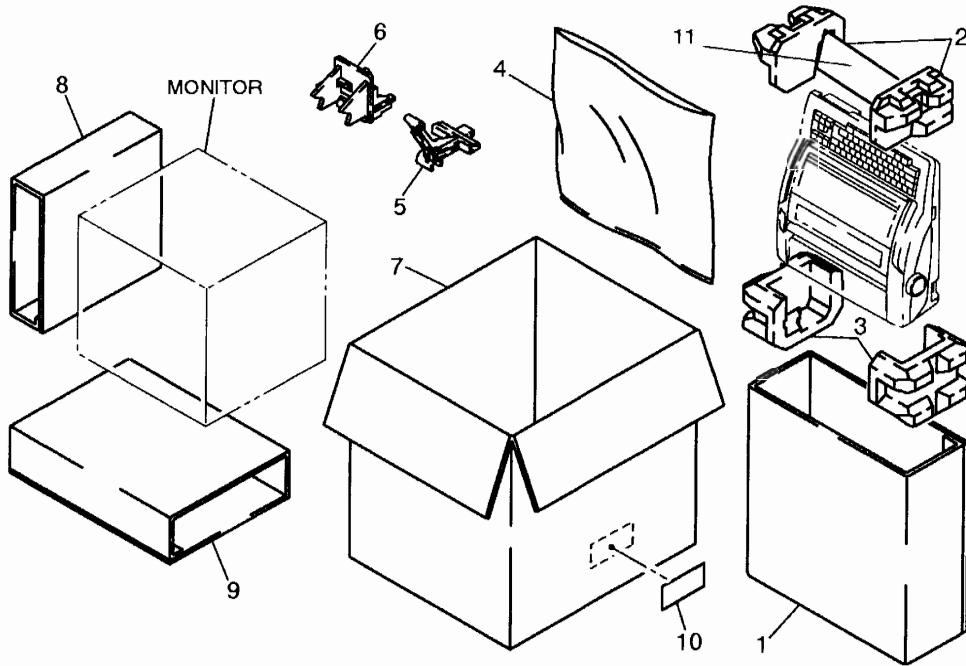
REF. NO.	CODE	QTY	DESCRIPTION	REMARKS
1-27	UA8593001	1	CRT CT-1400 Unit (SP) Made in Taiwan	
1-27	UA9057001	1	CRT CT-1400 Unit (SP) Made in China	
1-11	UA8905001	1	PCB Assy CT1400	
1	UA8906001	1	Source Cord	
2	UA8907001	1	Clamp 5N-4	
3	UA8908001	1	Cable Clip	
4	UA8909001	1	Screw TPB 3X8	
5	UA8910001	1	AC Cord 1.8M	
6	UA8911001	1	Clamp 6R-4	
7	UA8912001	3	Washer CV-1028	
8	UA8913001	3	Screw TP 3.5X8	
9	UA8914001	1	Power Knob	
10	UA8915021	2	VR Knob	
11	UA8916001	1	Fuse 2A 250V	
12	UA8917020	1	F Cover Assy 1400	
13	UA8918001	1	CRT Assy CT1400	
14	UA8919001	4	Rubber Washer	
15	UA8920001	4	Washer 10X18X1T	
16	UA8921001	4	TPP-5X20	
17	UA8922001	1	Logo PLT	
18	UA8750001	1	Sticker	
19	UA8923021	1	Back Cover	
20	UA8924001	1	Mod PLT Brother	
21	UA8925001	1	Product Label	
22	UA8926001	4	Screw TP 4X20	
23-24	UA8927021	1	Swivel Assy	
23	UA8928001	1	Polyethylene Bag 18X30	
24	UA8929021	3	Rubber Foot	
25	UA8930001	1	Polyethylene Bag CT1400	
26	UA8931001	1	Polyform SM1440	
27	UA8932001	1	Carton CT-1400	

12. PRINTED MATERIAL (Functional Code 52V1289999920)



REF. NO.	CODE	QTY	DESCRIPTION	REMARKS
1	US0708001	1	User's Manual, USA English	
2	UA7282001	1	Perforated Bag	

13. PACKING MATERIAL (Functional Code 52V12899999930)



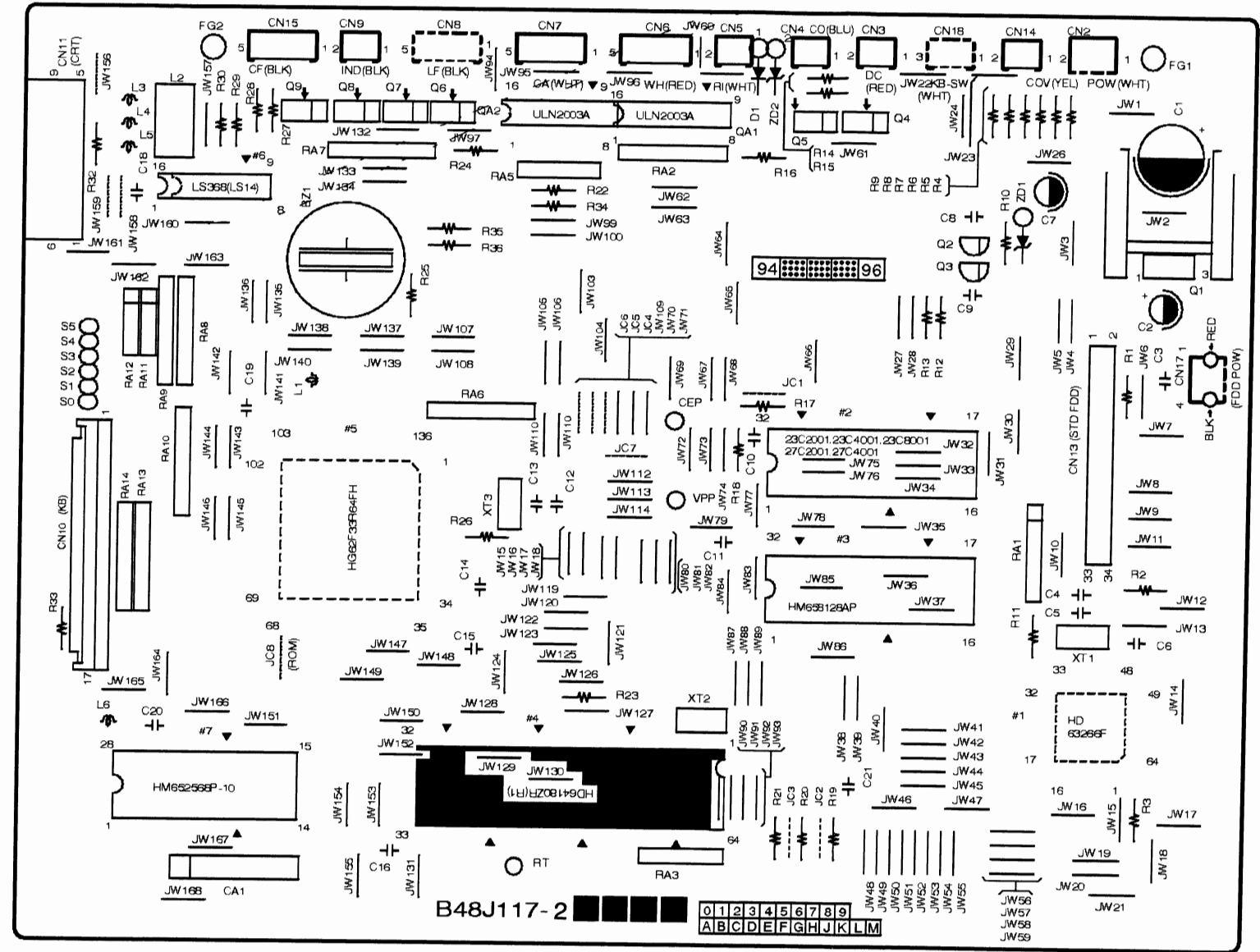
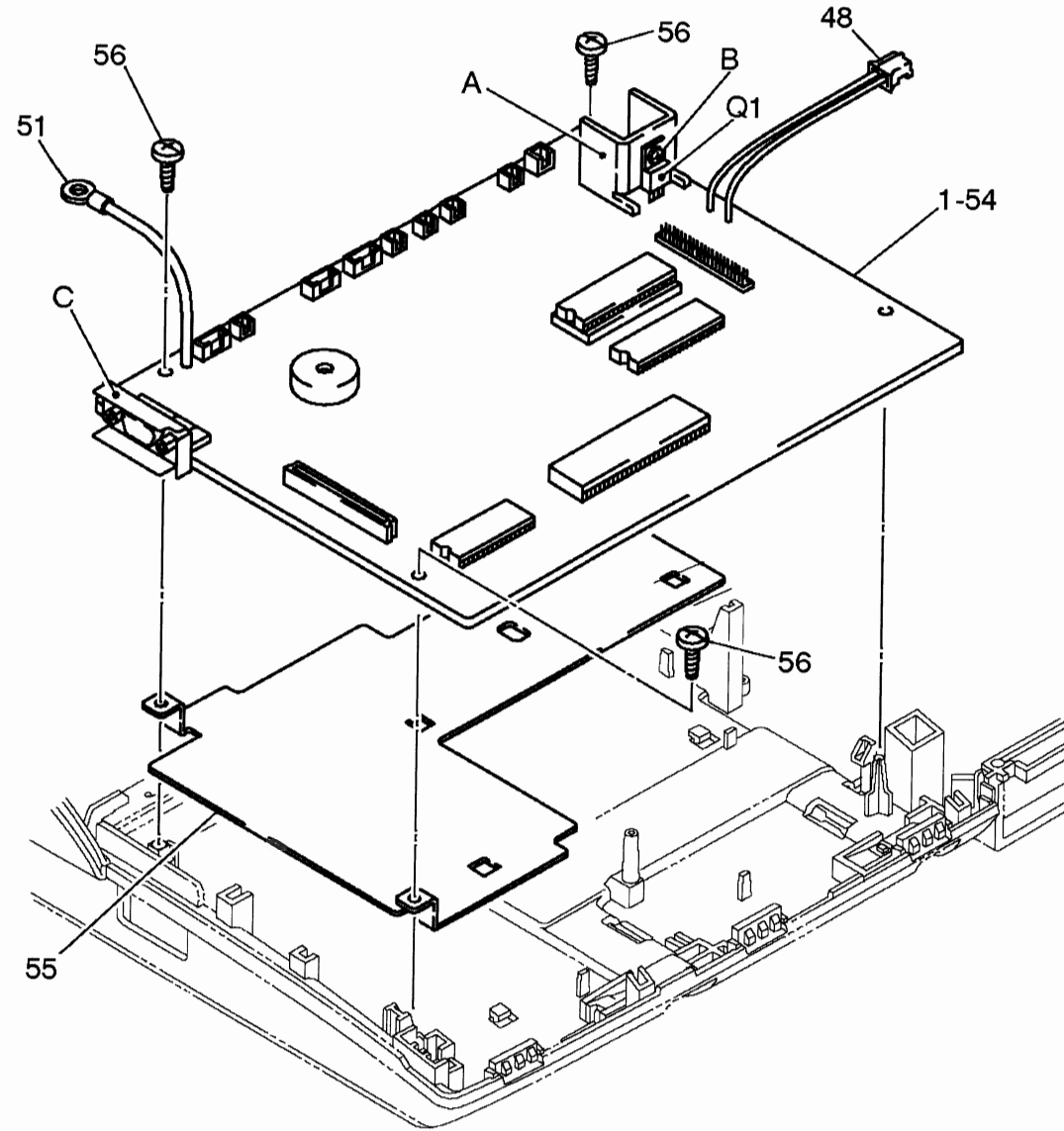
REF. NO.	CODE	QTY	DESCRIPTION	REMARKS
1	US0129021	1	Carton	
2	US0087000	1	Styrofoam Pad A	
3	US0088000	1	Styrofoam Pad B	
4	UA7283001	1	Perforated Bag	
5	U62441001	1	Carriage Stopper	
6	US0089001	1	Ribbon Cassette Stopper	
7	US0130021	1	Master Carton	
7	US0849022	1	Master Carton Assy, WP5600MDS	
8	US0133001	1	Pad B	
9	US0132001	1	Pad A	
10	UA9167001	2	Monitor Label	
11	US0327001	1	Space Bar Pad	

14. KEYBOARD (Functional Code 52V12899999402)



REF. NO.	CODE	QTY	DESCRIPTION	REMARKS
1	US0212020	1	KB Assy 02, Gram	
	US0037020	1	KB Unit	
	US0038020	1	KB Welded Unit	
	US0039020	1	KB Panel USA, White 1250	
	US0040000	1	Base Plate	
	US0041001	1	FPC PCB Assy	
	US0042001	1	FPC PCB	
	US0043001	65	Contact Rubber	
	U93954000	58	K Actuator 1.0A	
	U93955001	58	K Actuator 1.0B	
	U93956000	5	K Actuator 1.5A	
	U93957001	5	K Actuator 1.5B	
	U93958000	2	K Actuator 2.0A	
	U93959001	2	K Actuator 2.0B	
	U93951000	1	Wire, 96X13	
	US0081000	1	Wire, 29X9.8	
	US0044077	53	Koala Key 1.0 Blank, White	
	US0045077	2	Koala Key 1.0 Blank + Home, White	
	US0046077	3	Koala Key 1.5 Blank, White	
	US0047077	1	Koala Key 1.75 Blank, White	
	US0048077	1	Koala Key 2.25 Blank, White	
	US0049077	1	Koala Key Return, White	
	US0050077	3	Koala Key 1.25 a Line Blank, White	
	US0051077	1	Koala Key 7.5 Space, White	

15. MAIN PCB (Functional Code 52V1289999102)



1-54

SPEC. NAME	REV. NO.		#2 ROM Part Code (Ref. No.)	L1 (COIL) Part Code (Ref. No.)	JC1-JC8 (JUMPER WIRE 10MM)								SOLDER POINT NO.				
	SPEC. NO.	DESIGN CHANGE SYMBOL			JC8	JC7	JC6	JC5	JC4	JC3	JC2	JC1	S5	S4	S3	S2	S1
USA. ENGLISH	011		US0690001 (2A)	U78267000 (17)	X	O	X	X	X	X	X	O	X	X	X	X	X

0 = JUMPER WIRE: MOUNT
SOLDER POINT: SOLDER

X = JUMPER WIRE: DO NOT MOUNT
SOLDER POINT: DO NOT SOLDER

PARTS LIST

WORD PROCESSOR
WP-5550/5600MDS

REF. NO.	SYMBOL	CODE	QTY	DESCRIPTION
1-54	B48J117-211	US0702011	1	Main PCB Assy 3AMDSOPP-1 (SP) US
1	#4	UG1667000	1	MPU:HD64180ZPB
2A	#2	US0690001	1	Mask ROM:8M-12
3	#7	UC3656000	1	Pseudo SRAM:HM65256B10
4	#3	UA8598000	1	Pseudo SRAM:KM658128LP
5	#5	US0022000	1	Gate Array:HG62F33R64FH
6	#1	UC2835000	1	LSI:HD63266F
7	#6	US0219000	1	BIPIC74LS368
8	QA1,2	UC3629000	2	Transistor AR:ULN2003A
9	Q4, 5	U36679000	2	Transistor,:2SD2010
10	Q2,3	UC2894000	2	Transistor,:2SC1740S
11	Q1	136345001	1	Regulator:7805
12	XT2	U78209000	1	Ceramic Oscillator:CST12.2MT
13	XT3	US0209000	1	Ceramic Oscillator:CSA16.22MX
14	XT1	UA6253000	1	Ceramic Oscillator:CST16M2C3
15	ZD1	UA3033000	1	Diode, Zener:HZ6C1L
16	ZD2	UC4984000	1	Diode, Zener:HZ36-1
17	L1,5	U78267000	2	Coil:SBT-0440
18	L3,4	UC1772000	2	Coil:SBT-0210
19	L6	U32054001	1	Ferrite Bead
20	L2	U87156000	1	Filter:DSS306-55B471M
21	BZ1	132613001	1	Buzzer:PKM24
22	C12,13	Y11004111	2	Capacitor, Ceramic 50B100
23	C14	Y21010001	1	Capacitor, Ceramic 50B101
24	C3,6,8,9,10,11,15,16,18,19, 20,21	U10389000	12	Capacitor, Ceramic 25B104Z-249
25	C2,7	Y41011902	2	Capacitor, Alum-elec 10B101SME
26	C1	Y41012902	1	Capacitor, Alum-elec 16B101
28	R2,11,23	090101120	3	Fixed Resistor, D-A14YJ101
29	R16,22,24,34,35,36	090221120	6	Fixed Resistor, D-A14YJ221
30	R3,6,7,12,13,17,18,25,27,29, 30,33	090102120	12	Fixed Resistor, D-A14YJ102
31	R4	090152120	1	Fixed Resistor, D-A14YJ152
32	R10,14,15	090222120	3	Fixed Resistor, D-A14YJ222
33	R1,5,8,9,19,20,21,28,32	090103120	9	Fixed Resistor, D-A14YJ103
34	R26	090105120	1	Fixed Resistor, D-A14YJ105
35	RA1	Y61026041	1	Resistor Array, 102X6J
36	RA11,12	Y61044041	2	Resistor Array, 104X4J
37	RA3	Y61013061	1	Resistor Array, 101Y3J
38	RA6,10	Y61014061	2	Resistor Array, 101X4J
39	RA5	Y62213061	1	Resistor Array, 221Y3
40	RA2	Y62214061	1	Resistor Array, 221X4J
41	RA13,14	Y61024061	2	Resistor Array, 102X4J
42	RA8,9	Y61034061	2	Resistor Array, 103X4J

REF. NO.	SYMBOL	CODE	QTY	DESCRIPTION
43	CN3-5,9,14	U17118000	5	Connector:B2B-PH
44	CN2	U04254000	1	Connector:B2B-XH-A
45	CN6,7,15	U17535000	3	Connector:B5B-PH
46	CN11	UC1287000	1	Connector:FCN675J009
47	CN17	US0207001	1	FDD Power Harness Assy
48	CN13	US0206000	1	Connector, 34PIN
49	CN10	UA3044000	1	Connector:5229-17CPB
50	FG2	UA3036001	1	Ground Wire
51	A	UA5456000	1	Heat Sink 7805
52	B	U05404001	1	Taptite, Bind B M3X8
53	C	UA8711000	1	Ground Plate
54		US0201000	1	Ground Plate
55		U05404001	3	Taptite, Bind B M3X8

brother®

May 1995
TNPL00002
Printed in USA