

brother

Home Sewing Machine PARTS REFERENCE LIST

MODEL: 2340CV

CONFIDENTIAL

Copyright © 2010 Brother Industries, Ltd.
All rights reserved.

Published: Sep.,2003
Revised: Mar.,2014

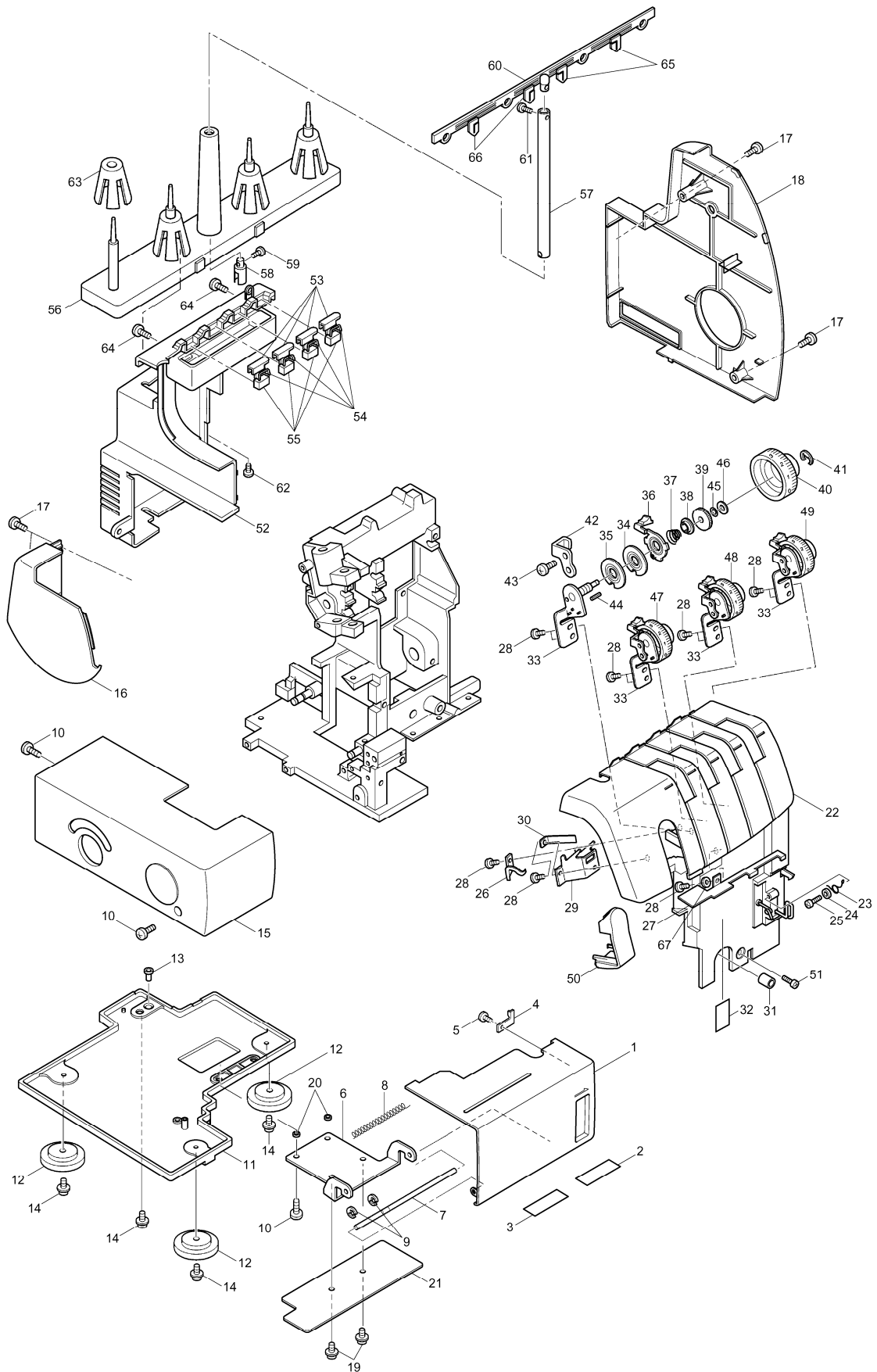
CONTENTS

(1) MAIN FRAME / COVER / UPPER THREAD GUIDE.....	2
(2) NEEDLE BAR / PRESSOR FOOT UNIT	4
(3) FEED / DRIVING SHAFT MECHANISM.....	6
(4) DOUBLE CHAIN LOOPER	8
(5) LAMP / ELECTRICAL PARTS / MAIN MOTOR UNIT	10
(6) ACCESSORY PARTS / USER MANUAL / PACKAGE.....	12

Note on parts:

We keep performance parts for this sewing machine for at least 8 years after this model is discontinued. Performance parts are the necessary parts to maintain the function of the sewing machine.

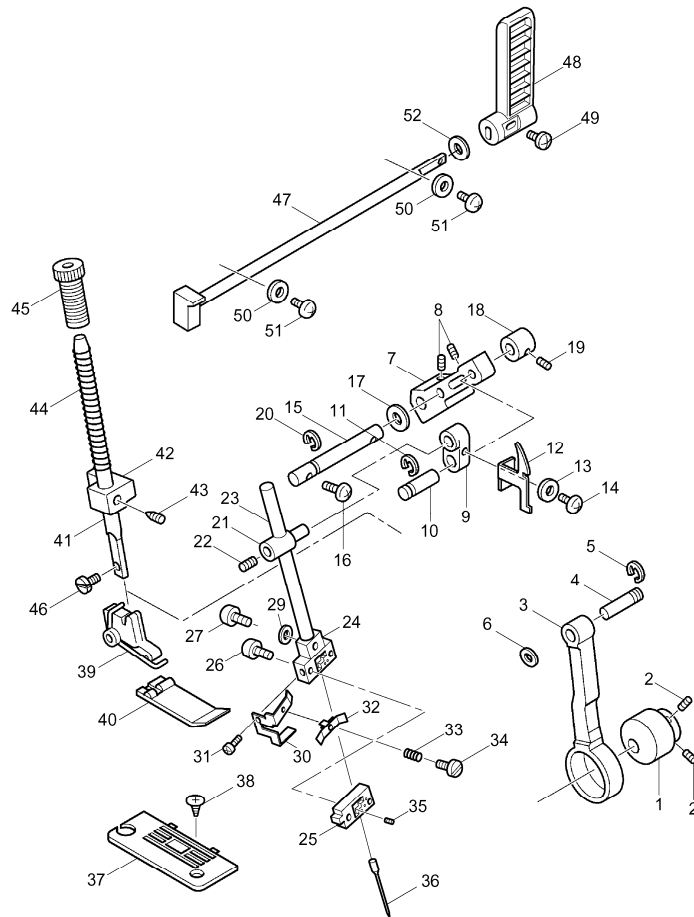
(1) MAIN FRAME / COVER / UPPER THREAD GUIDE



(1) MAIN FRAME / COVER / UPPER THREAD GUIDE

No.	CODE	NAME	REMARKS	No.	CODE	NAME	REMARKS
MAIN FRAME / COVER				41	048030342	RETAINING RING, E3	
1	XB1127005	FRONT COVER (USA, CANADA, CHILE)		42	XB1255001	THREAD TENSION RELEASE BASS	
	XB1127004	FRONT COVER (OTHER)	1000027397	43	062300406	SCREW, PAN M3X4	
2	X77014001	CAUTION (USA, CANADA, CHILE)		44	047251042	PIN, SPRING ROLL AW2.5	
3	125875001	FACE PLATE STICKER		45	025040232	WASHER, PLAIN M 4	
4	X75632001	FRONT COVER HOOK		46	X76879000	WAVE WASHER	
5	037300813	TAPPING SCREW PAN V M3X8	1000027039	47	XB0898002	THREAD TENSION DIAL	
6	XB1128001	FRONT COVER HINGE PLATE		48	XB0898003	THREAD TENSION DIAL	
7	X77704001	FRONT COVER GUIDE SHAFT		49	XB0898004	THREAD TENSION DIAL	
8	127174001	FRONT COVER SPRING		50	XB0900004	THREAD TAKE-UP COVER	1000027397
9	048030342	RETAINING RING, E3		51	XB0673001	SET SCREW	
10	060401206	SCREW, BIND M4X12		52	XB1211101	REAR COVER C ASSY	1000027012
11	XB1254001	OIL PAN C		53	X77757001	THREAD RECTIFIER A	
12	XB0589000	CUSHION A		54	127392001	THREAD RECTIFIER	
13	XB0590000	CUSHION B		55	XB0134000	THREAD RECTIFITER (USHION)	
14	X75720001	SET SCREW		56	X77731002	SPOOL STAND BASE	
15	XB1129001	CLOTH PLATE COVER C ASSY		57	X77733001	SPOOL STAND SHAFT	
16	XB0865004	LAMP COVER (USA, CANADA, CHILE)	1000027397	58	X77734002	SPOOL STAND SHAFT BASE	1000027397
	XB0865003	LAMP COVER (OTHER)	1000027397	59	037200613	TAPPING SCREW PAN V M2X6	1000027039
17	060400606	SCREW, BIND M4X6		60	X77735004	THREAD GUIDE 4	1000027397
18	XB1132002	BELT COVER C	1000027397	61	037200616	TAPPING SCREW, PAN V M2X6	
19	060400416	SCREW, BIND M4X4		62	037301055	TAPPING SCREW, PAN V M3X10	
20	XB1275000	SPACER		63	126863004	SPOOL CUSHION	1000027397
21	XB1277000	HINGE PLATE		64	060400606	SCREW, BIND M4X6	
UPPER THREAD GUIDE				65	XB1214002	THREAD RECTIFIER R	1000027397
22	XB1195001	PANEL S ASSEMBLY		66	XB1215002	THREAD RECTIFIER L	1000027397
23	XB1204001	LOOPER THREAD SPRING		67	026030236	WASHER, PLAIN M 3	CHG
24	XB1227002	LOOPER THREAD GUIDE BASE	1000027397		XE3597001	LABEL. INJURY 26X39	1000006238
25	037401216	TAPPING SCREW, PAN V M4X12			XB2211001	CAUTION (CAN)	1000028438
26	X77155001	NEEDLE THREAD GUIDE A					
27	XB1197001	NEEDLE THREAD GUIDE C					
28	037300813	TAPPING SCREW PAN V M3X8	1000027039				
29	X77157001	NEEDLE THREAD TAKE-UP GUIDE					
30	XB1198000	NEEDLE THREAD SEPARATOR					
31	XB1201000	DL COVER TUBE					
32	XB1256001	THREAD GUIDE STICKER					
33	XB1238001	C THREAD TENSION BASE ASSY					
34	X77235000	TENTION DISC					
35	X77236000	TENTION DISC A					
36	XB0934001	THREAD TENSION RELEASER					
37	XB1209001	SPRING 0.8					
38	X75992001	WASHER					
39	X76878000	THREAD TENSION NUT					
40	XB0898001	THREAD TENSION DIAL					

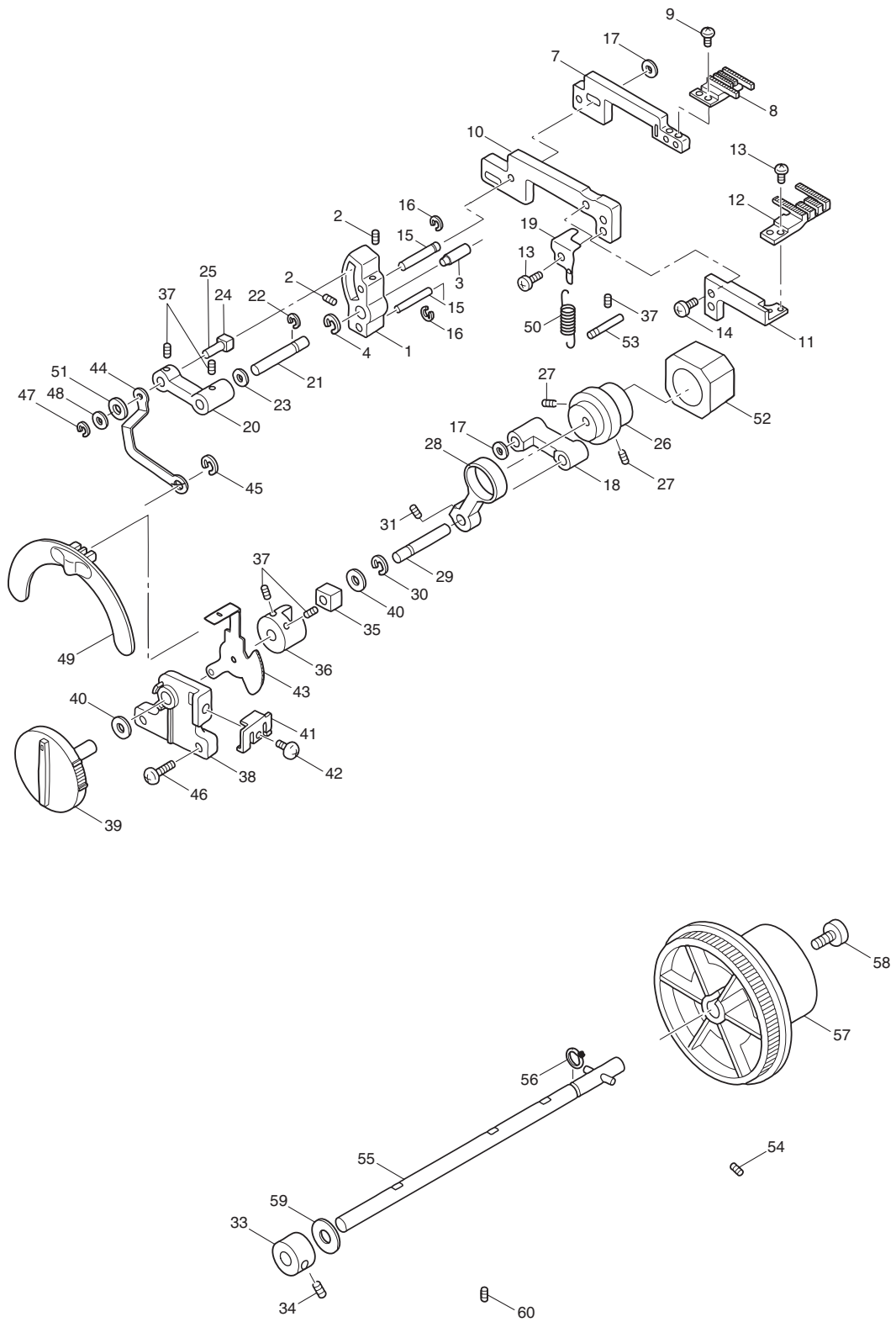
(2) NEEDLE BAR / PRESSOR FOOT UNIT



(2) NEEDLE BAR / PRESSOR FOOT UNIT

No.	CODE	NAME	REMARKS	No.	CODE	NAME	REMARKS
NEEDLE BAR MECHANISM				43	XB2244001	SET SCREW 5.95	1000029949
1	XB1138000	NEEDLE BAR ECCENTRIC WHEEL		44	X77621001	PRESSER BAR SPRING	
2	012500632	SET SCREW, SOCKET (FT) M5X6		45	142860001	PRESSER FOOT ADJUSTING SCREW	
3	138839000	NEEDLE BAR ROD		46	126851001	SET SCREW	
4	XB1140001	ROD SHAFT C		47	XB2208001	PRESSER LIFTER SHAFT ASSY	1000028279
5	048060342	RETAINING RING, E6		48	XB0878002	PRESSER FOOT LEVER	1000027397
6	XB1141000	NEEDLE BAR ROD SPACER		49	060300616	SCREW, BIND M3X6	1000032984
7	X77611000	NEEDLE BAR DRIVING LEVER		50	025040332	WASHER, PLAIN L 4	
8	014400422	SET SCREW, SOCKET (CP) M4X4		51	060400606	SCREW, BIND M4X6	
9	XB1276000	NEEDLE BAR CONNECTING LINK	CHG	52	X76687000	WAVE WASHER	
10	XB0806001	NEEDLE BAR ROD SHAFT ASSY					
11	048050346	RETAINING RING, E5					
12	XB1143001	THREAD TAKE-UP C					
13	028040242	WASHER, SPRING 2-4					
14	060400606	SCREW, BIND M4X6					
15	XB0560000	NEEDLE BAR SHAFT					
16	060401606	SCREW, BIND M4X16					
17	100197004	WASHER					
18	X05286001	DRIVING ARM BUSHING					
19	014400422	SET SCREW, SOCKET (CP) M4X4					
20	048050346	RETAINING RING, E5					
21	126656001	NEEDLE BAR CONNECTING STUD					
22	014060632	SET SCREW, SOCKET (CP) M6X6					
23	XB1278001	NEEDLE BAR C					
24	XB1113001	NEEDLE CLAMP BASE					
25	XB1114001	NEEDLE POSITION GUIDE					
26	002021016	SCREW, PAN M2X10					
27	002301003	SCREW PAN M3X10	1000027039				
28	028030246	WASHER, SPRING 2-3	1000007760				
29	026030132	WASHER, PLAIN S 3					
30	XB1145001	NEEDLE BAR THREAD GUIDE					
31	062300506	SCREW, PAN M3X5					
32	XB1146000	PRE-TENSION PLATE					
33	XB1147001	PRE-TENSION SPRING					
34	X77993001	SCREW					
35	XB2176001	SET SCREW SOCKET (CN) M3X3	1000024417				
36	X75577014	NEEDLE					
37	XB1112001	NEEDLE PLATE					
38	060400606	SCREW, BIND M4X6					
PRESSOR FOOT UNIT							
39	XB1152001	PRESSER HOLDER ASSEMBLY					
40	XB1154001	PRESSER FOOT ASSY					
41	126660001	PRESSER BAR					
42	127198000	PRESSER BAR BRACKET					

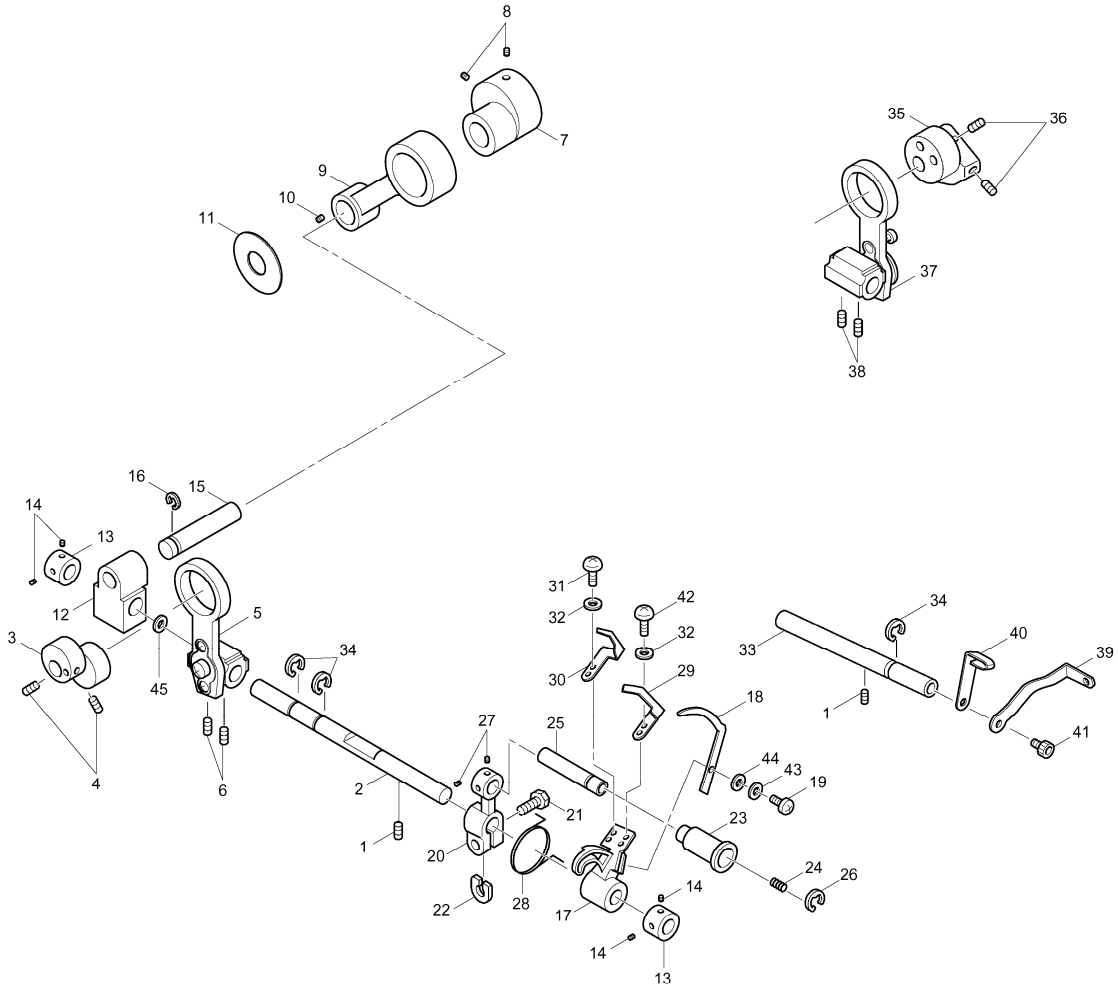
(3) FEED / DRIVING SHAFT MECHANISM



(3) FEED / DRIVING SHAFT MECHANISM

No.	CODE	NAME	REMARKS	No.	CODE	NAME	REMARKS
FEED MECHANISM				DRIVING SHAFT MECHANISM			
1	X77628000	FEED BAR LEVER		44	X77657000	DIFERENTIAL ADJUSTING LINK	
2	014400422	SET SCREW, SOCKET (CP) M4X4		45	048050346	RETAINING RING, E5	
3	X77630000	FEED BAR LEVER SHAFT		46	060401206	SCREW, BIND M4X12	
4	048050346	RETAINING RING, E5		47	048030342	RETAINING RING, E3	
5	X75150001	COLLAR	1000037364	48	025040232	WASHER, PLAIN M 4	
6	014400422	SET SCREW, SOCKET (CP) M4X4	1000037364	49	X77658003	DIFERENTIAL ADJUSTING KNOB	1000027397
7	X77631000	MAIN FEED BAR		50	X77749001	FEED BAR SPRING	
8	XB1157001	MAIN FEED DOG		51	X76879000	WAVE WASHER	
9	062300806	SCREW, PAN M3X8	1000032987	52	X77736000	VERTICAL FEED BLOCK	
10	X77647000	DIFERENTIAL FEED BAR		53	X77663000	UPPER BRADE LINK SHAFT	
11	XB1159001	DIIFERENTIAL FEED BASE		DRIVING SHAFT MECHANISM			
12	XB1160001	DIFFERENCIAL FEED DOG		54	012500632	SET SCREW, SOCKET (FT) M5X6	
13	062300804	SCREW, PAN M3X6	1000032987	55	XB1135001	DRIVING SHAFT ASSY	
14	060301006	SCREW, BIND M3X10	1000032987	56	048080142	RETAINING RING, EXTERNAL C8	
15	127784001	GUIDE SHAFT		57	X77603003	TIMING PULLEY	1000027397
16	048040342	RETAINING RING, E4		58	X77750001	SET SCREW	
17	025050132	WASHER, PLAIN S 5		59	X77604000	WASHER	
18	X77638000	FEED BAR LINK		60	014400422	SET SCREW, SOCKET (CP) M4X4	
19	X77649001	FEED BAR GUIDE					
20	X77650000	ADJUSTING LINK					
21	X77637000	FEED BAR LINK SHAFT					
22	048050346	RETAINING RING, E5					
23	026060132	WASHER, PLAIN S 6					
24	X77653000	DIFERENTAL FEED ADJUSTING					
25	X77652000	ADJUSTING LINK SHAFT					
26	X77634000	FEED ECCENTRIC WHEEL					
27	012500632	SET SCREW, SOCKET (FT) M5X6					
28	X77635000	FEED LINK					
29	X77637000	FEED BAR LINK SHAFT					
30	048050346	RETAINING RING, E5					
31	014400422	SET SCREW, SOCKET (CP) M4X4					
32	XB0595001	FEED LINK GUIDE	1000037364				
33	X75150001	COLLAR					
34	014400422	SET SCREW, SOCKET (CP) M4X4					
35	X77639000	FEED ADJUSTING BLOCK					
36	XB0559000	FEED ADJUSTING LEVER					
37	014400422	SET SCREW, SOCKET (CP) M4X4					
38	X77642000	FEED BASE					
39	X77643002	FEED DIAL					
40	X76687000	WAVE WASHER					
41	X77646001	SPRING					
42	060400606	SCREW, BIND M4X6					
43	X77654001	DIFERENTIAL ADJUSTING LEVER AS					

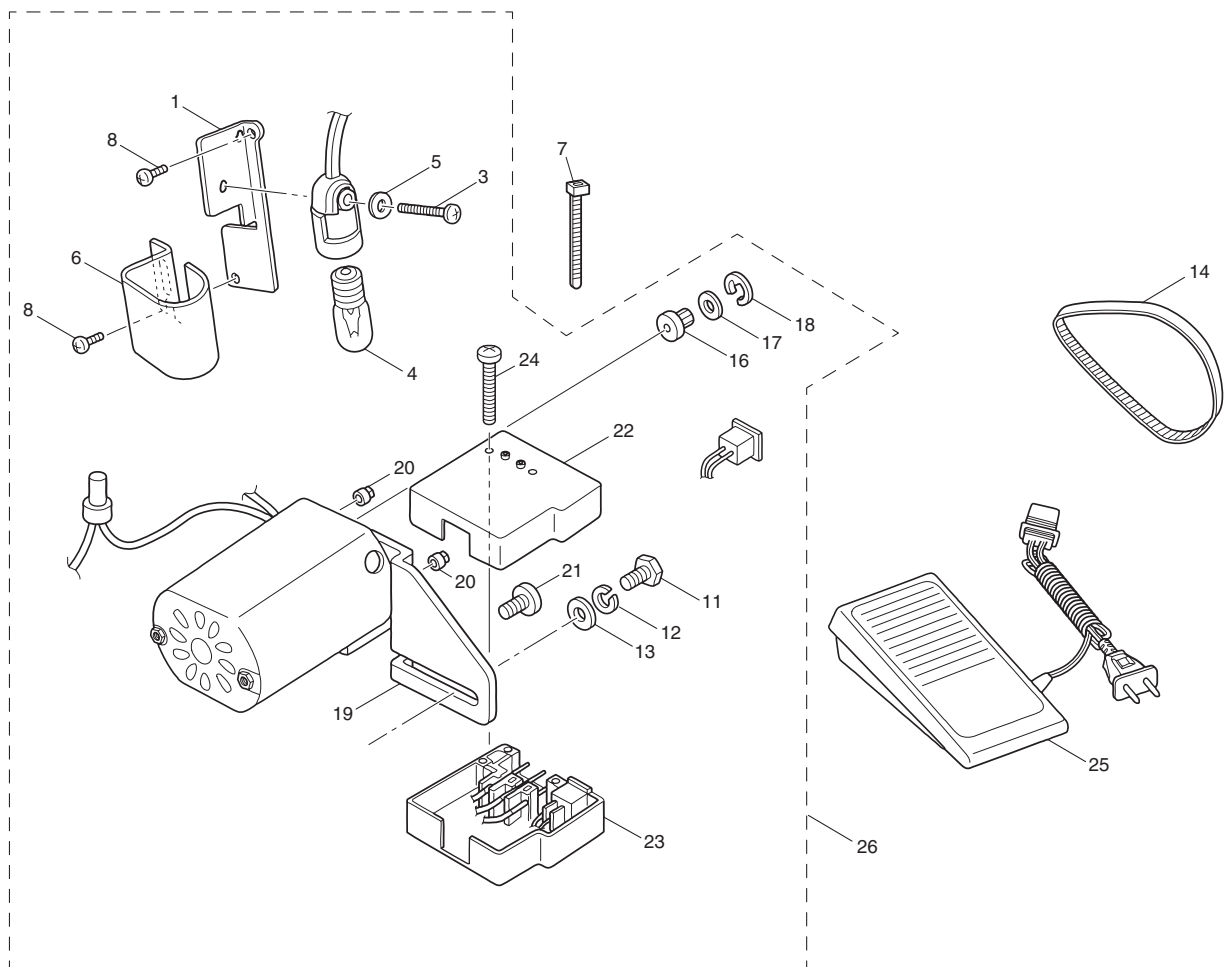
(4) DOUBLE CHAIN LOOPER



(4) DOUBLE CHAIN LOOPER

No.	CODE	NAME	REMARKS	No.	CODE	NAME	REMARKS
1	014400422	SET SCREW, SOCKET (CP) M4X4		45	X77604000	WASHER	ADD
2	XB1168000	DOUBLE CHAIN LOOPER SHAFT					
3	X77698001	UL ROD ECCENTRIC WHEEL					
4	012500632	SET SCREW, SOCKET (FT) M5X6					
5	XB1290101	ROD SHAFT CLAMP ASSY A	1000029587				
6	012500632	SET SCREW, SOCKET (FT) M5X6					
7	XB1173000	DOUBLE CHAIN ECCENTRIC WHEEL					
8	012500632	SET SCREW, SOCKET (FT) M5X6					
9	X76787000	DOUBLE CHAIN ROD					
10	014400422	SET SCREW, SOCKET (CP) M4X4					
11	XB1176000	WASHER D28					
12	XB1228001	HORIZONTAL LEVER					
13	X76800001	HORIZONTAL LEVER COLLAR					
14	014400422	SET SCREW, SOCKET (CP) M4X4					
15	X76792001	HORIZONTAL LEVER SHAFT					
16	048040342	RETAINING RING, E4					
17	XB1180000	DL LEVER					
18	XB1115001	DOUBLE CHAIN LOOPER					
19	018300836	BOLT, SOCKET M3X8					
20	XB1182001	DL DIVERSION LEVER					
21	017501613	BOLT M5X16	1000027039				
22	X05281001	WASHER					
23	XB1183002	DL LEVER KNOB	1000027397				
24	XB1184001	DL LEVER KNOB SPRING					
25	XB1186001	DL LEVER KNOB SHAFT					
26	048030342	RETAINING RING, E3					
27	014400422	SET SCREW, SOCKET (CP) M4X4					
28	XB1187001	DL LEVER RELEASE SPRING					
29	XB1188001	DL NEEDLE GUARD FRONT					
30	XB1189001	DL NEEDLE GUARD REAR					
31	062300606	SCREW, PAN M3X6					
32	026030132	WASHER, PLAIN S 3					
33	XB1161000	L LEVER SHAFT C					
34	048060342	RETAINING RING, E6					
35	X77693100	OL ROD ECCENTRIC WHEEL	1000029090				
36	012500632	SET SCREW, SOCKET (FT) M5X6					
37	XB1291101	ROD SHAFT CLAMP ASSY B	1000029587				
38	012500632	SET SCREW, SOCKET (FT) M5X6					
39	XB1166001	DL THREAD TAKE-UP LEVER A					
40	XB1167001	DL THREAD TAKE-UP LEVER B					
41	XB0148001	SET SCREW					
42	062300506	SCREW, PAN M3X5					
43	028030246	WASHER, SPRING 2-3					
44	026030236	WASHER, PLAIN M 3	CHG				

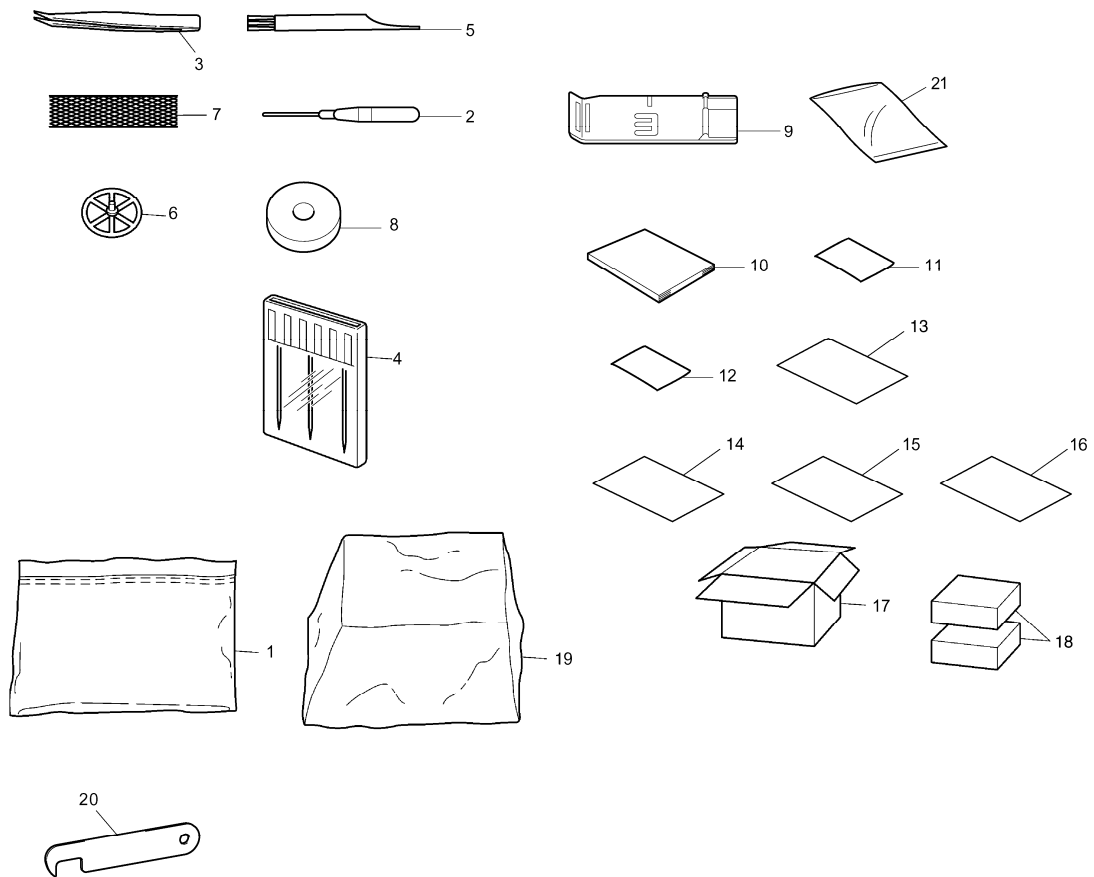
(5) LAMP / ELECTRICAL PARTS / MAIN MOTOR UNIT



(5) LAMP / ELECTRICAL PARTS / MAIN MOTOR UNIT

No.	CODE	NAME	REMARKS	No.	CODE	NAME	REMARKS
LAMP UNIT							
1	X77710000	LAMP PLATE (100-120V)			XD0105021	FOOT CONTROLLER:KD-2902 CHN (CHN)	ADD
2	XB0737001	LAMP (USA, CANADA)	1000010984		XE3414001	FOOT CONTROLLER:KD-1902 BRZ (BRA)	1000005918
	XB0998001	LAMP EC ASSEMBLY	1000010984		XD0852121	FOOT CONTROLLER:KD-2902KOREA (KOR)	1000027263
	XB0741001	LAMP (AUSTRALIA)	1000010984				
3	062302006	SCREW, PAN M3X20 (100-120V)					
	062300406	SCREW, PAN M3X4 (220-240V)					
4	X53061050	SEW-LIGHT BULB (100-120V)		26	XB1831001	MOTOR L ASSY (120V)	1000010944
	205336050	SEW-LIGHT BULB L-4 (220-240V)			XB1833001	MOTOR L ASSY (230V)	1000010944
5	025040232	WASHER PLAIN M 4 (100-120V)	1000027987		XB1834001	MOTOR L ASSY (240V)	1000010944
					XB2360001	MOTOR 127 L ASSY (127V)	
6	X77423000	LAMP COVER PLATE			XB2084001	MOTOR ASSY (220V: KOR)	1000020982
7	S04159000	BAND 1M	1000035212	XB2359001	MOTOR 220 L ASSY (220V: HKG)	1000042170	
8	060400606	SCREW, BIND M4X6	1000035212	XB1832001	MOTOR L ASSY (220V: OTHER)	1000010944	
ELECTRICAL PARTS							
9	XB0901001	SWITCH ASSEMBLY (USA, CANADA)	1000010984				
	XB0905001	SWITCH ASSEMBLY	1000010984				
10	X77076001	CONNECTER	1000010984				
MAIN MOTOR UNIT							
11	103741001	BOLT					
12	203735001	WASHER					
13	100197004	WASHER					
14	X77826001	TIMING BELT					
15	XB1174101	MOTOR YM43-8C	1000010984				
	XB1289001	MOTOR 220V ASSY	1000010984				
	XB1280001	MOTOR 230V ASSY	1000010984				
	XB1279001	MOTOR 240V ASSY	1000010984				
16	X77334000	MOTOR PULLEY					
17	220036000	WASHER					
18	048050346	RETAINING RING, E5					
19	XB2236001	MOTOR PLATE	1000033764				
20	XB0383001	NUT					
21	X77226001	SCREW					
22	XB0910002	3P SOCKET BODY	1000027397				
23	XB0911002	3P SOCKET COVER	1000027397				
24	XB2201001	TAPPING SCREW PAN V M4X18	1000027039				
25	XC7359021	FOOT CONTROLLER:KD-1902 (USA, CAN)	1000015436				
	XC7438421	FOOT CONTROLLER:KD-2902 (DEU, AUT, CHL, PRY, ESP, GUF, MYS)	1000025686				
	XC7456421	FOOT CONTROLLER:KD-2902UK (UK, HKG)	1000015436				
	XE0629001	FOOT CONTROLLER:KD-2902AUS (AUS, NZL)	1000015436				
	XD0112121	FOOT CONTROLLER:KD-2902IRAM (ARG)	1000015436				

(6) ACCESSORY PARTS / USER MANUAL / PACKAGE



(6) ACCESSORY PARTS / USER MANUAL / PACKAGE

No.	CODE	NAME	REMARKS
ACCESSORY PARTS			
1	XB2297001	ACCESSORY BAG	1000031493
2	XB0393001	SCREW DRIVER S	
3	XB1618001	PINCETTE	1000038249
4	XB1216001	NEEDLE SET ASSEMBLY	
5	X75906001	BRUSH	
6	X77260000	CAP	
7	X75904000	NET	
8	XB1218000	SPOOL MAT	
9	XB1265001	HEM SEWING PRESSER N	
USER MANUAL / OTHER PARTS			
10	XB1148201	INSTRUCTION BOOK (English, Spanish)	1000038263
	XB1163201	INSTRUCTION BOOK (French, Dutch)	1000038263
	XB1150201	INSTRUCTION BOOK (German, Italian)	1000038263
	XB1268301	INSTRUCTION BOOK (Danish, Russian)	1000042403
	XB1360201	INSTRUCTION BOOK (AUT, HUN, CES, SRP, HRV, ENG)	1000038263
	XB1354201	INSTRUCTION BOOK (Norwegian, Swedish)	1000038263
	XB2081101	INSTRUCTION BOOK (Korean)	1000038263
11	XB2300001	WARRANTY SHEET FOR SERGER (USA, GUF)	1000033780
	XE5652001	WARRANTY CARD BROTHER ARG (ARG)	1000011223
	XF6323101	2&5 WARRANTY FOR US (USA)	1000038646
12	181401174	INSERTION WARRANTY COUPON (CANADA)	
13	XE8862201	INSERTION CE (GUF, UK, SWE, ITA, FIN, CHE, DNK, DEU, FRA, AUT, ESP, EEU, NEU, MYS)	
	XF5734001	CE INSERTION 2	1000034934
14	XE9897001	UKRAINIAN ROHS INSERTION (RUS)	1000023997
15	XB2173001	2340CV INSERTION (USA)	1000024320
16	XF3999101	INSERTION FOR AC POWER	1000033220
	XF0300101	INSERTION WEEE	1000034545
	XE5611001	REGISTRATION CARD ITA (ITA)	
	XE9639001	REGISTRATION SHEET	1000029733
PACKAGE			
17	XB2354001	CARTON (USA, CAN, CHI, ARG, BRA)	1000042187
	XB1223001	CARTON (OTHER)	1000011781
	XB1683101	CARTON (RUS)	1000042020
	XB2083001	CARTON (KOR, MYS)	1000020982
18	XB1845001	POLYSTYRENE FOAM PAD ASSY	1000015438
	XB1749001	POLYSTYRENE FOAM PAD ASSY (CHN, BRA)	1000015438
19	X77871000	SOFT COVER	
20	XB1037001	THREAD TENSION ADJUSTING TOOL	060245
21	XB1781101	BAG 225X390	1000028955

brother

2340CV
38J03HF884500