

# brother

Home Sewing Machine

## PARTS REFERENCE LIST

MODEL: 4234D/4234DT

5234PRW/3234DT

5100D/755D

**CONFIDENTIAL**

Copyright © 2010 Brother Industries, Ltd.  
All rights reserved.

Published: Jul.,2010  
Revised: Aug.,2017

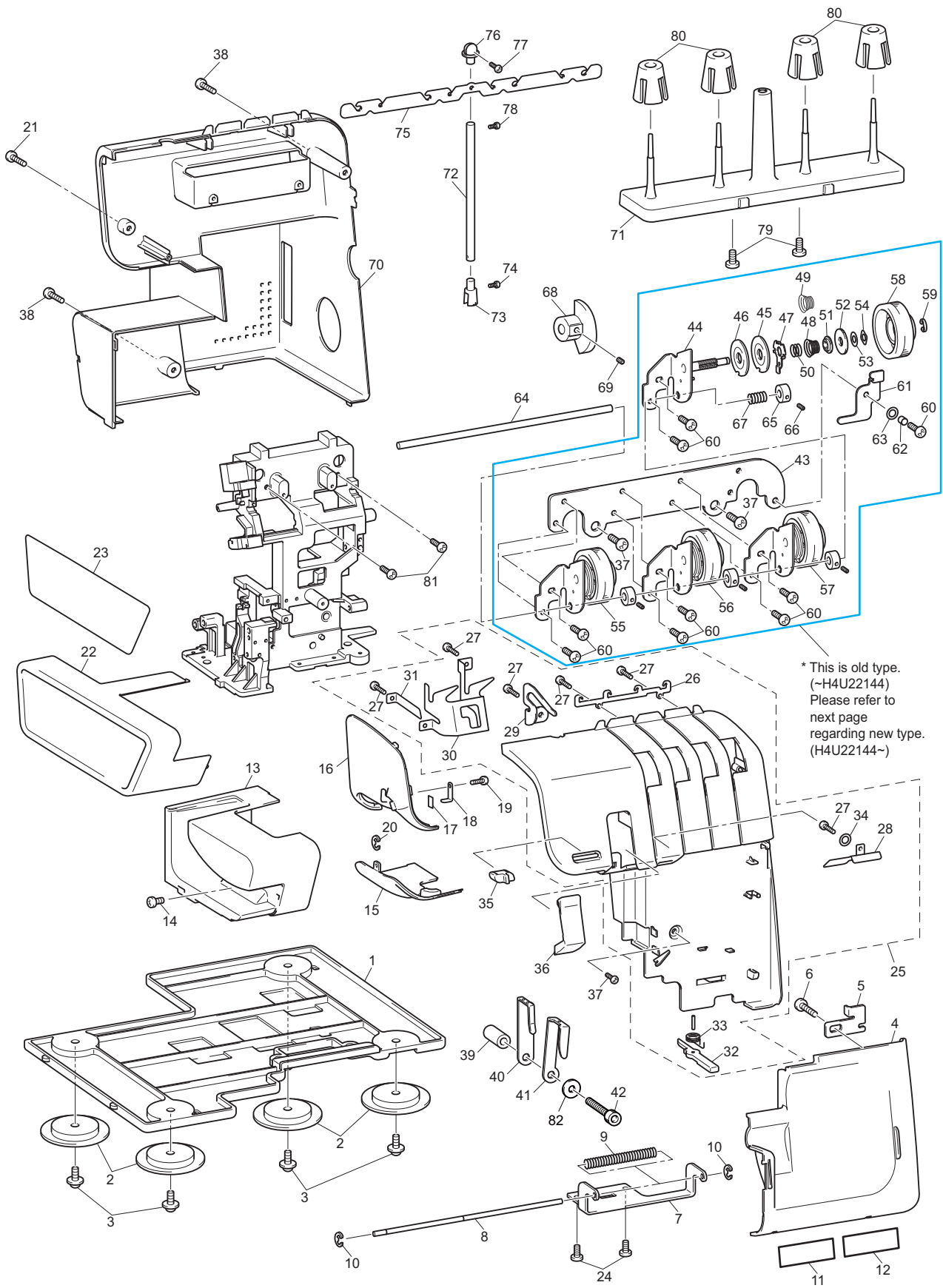
# CONTENTS

|   |    |
|---|----|
| (1)-1 MAIN FRAME / COVER / UPPER THREAD GUIDE (Old type)..... | 2  |
| (1)-2 MAIN FRAME / COVER / UPPER THREAD GUIDE (New type)..... | 2  |
| (2) NEEDLE BAR / PRESSER FOOT UNIT .....                      | 8  |
| (3) FEED MECHANISM .....                                      | 10 |
| (4) DRIVING SHAFT MECHANISM .....                             | 12 |
| (5) UPPER BLADE / LOWER BLADE / LOOPER MECHANISM ....         | 14 |
| (6) LAMP / ELECTRICAL PARTS / MAIN MOTOR UNIT .....           | 16 |
| (7) ACCESSORY PARTS / USER MANUAL / PACKAGE ...               | 18 |

**Note on parts:**

We keep performance parts for this sewing machine for at least 8 years after this model is discontinued. Performance parts are the necessary parts to maintain the function of the sewing machine.

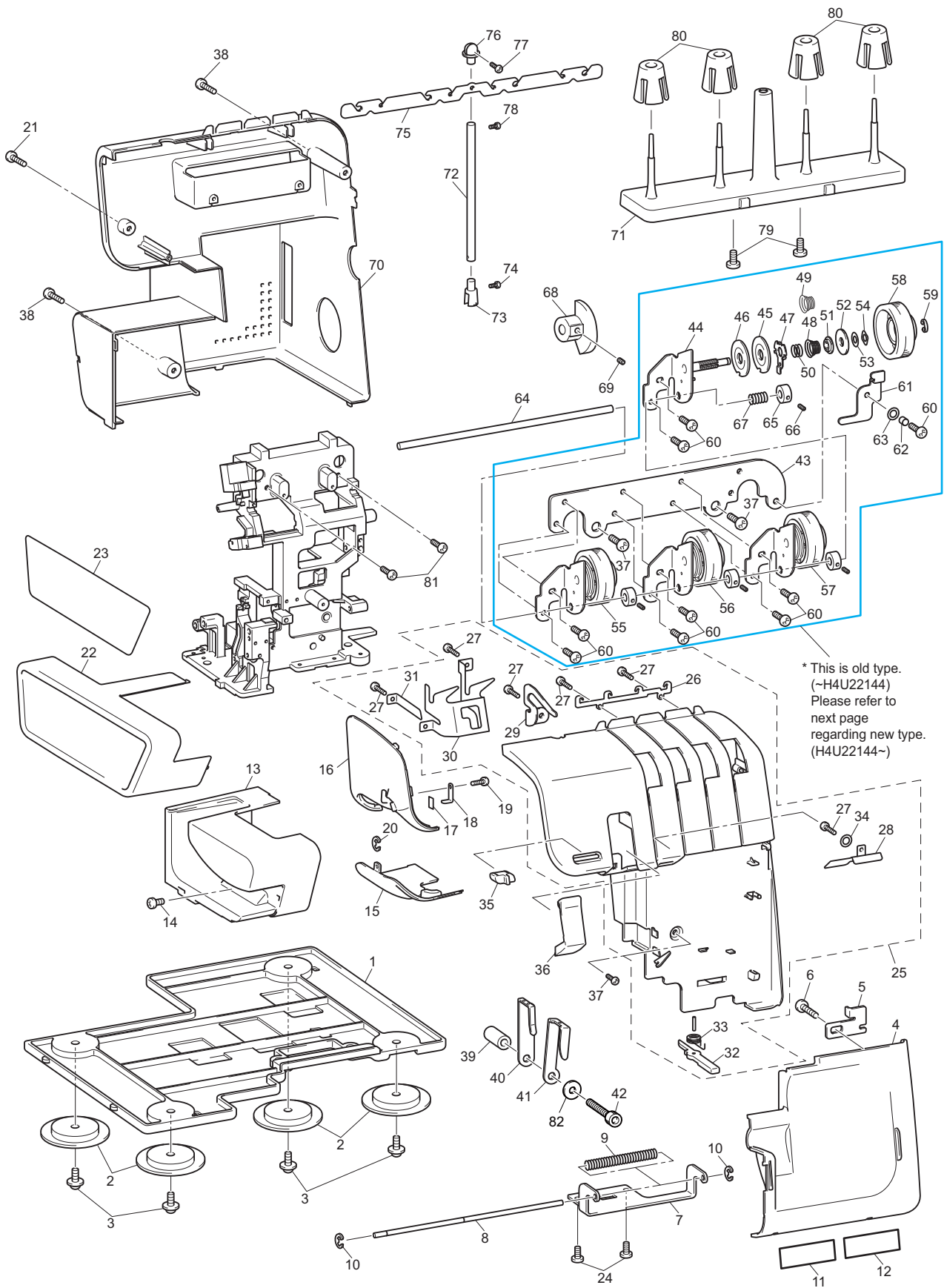
# (1)-1 MAIN FRAME / COVER / UPPER THREAD GUIDE (Old type)



## (1)-1 MAIN FRAME / COVER / UPPER THREAD GUIDE (Old type)

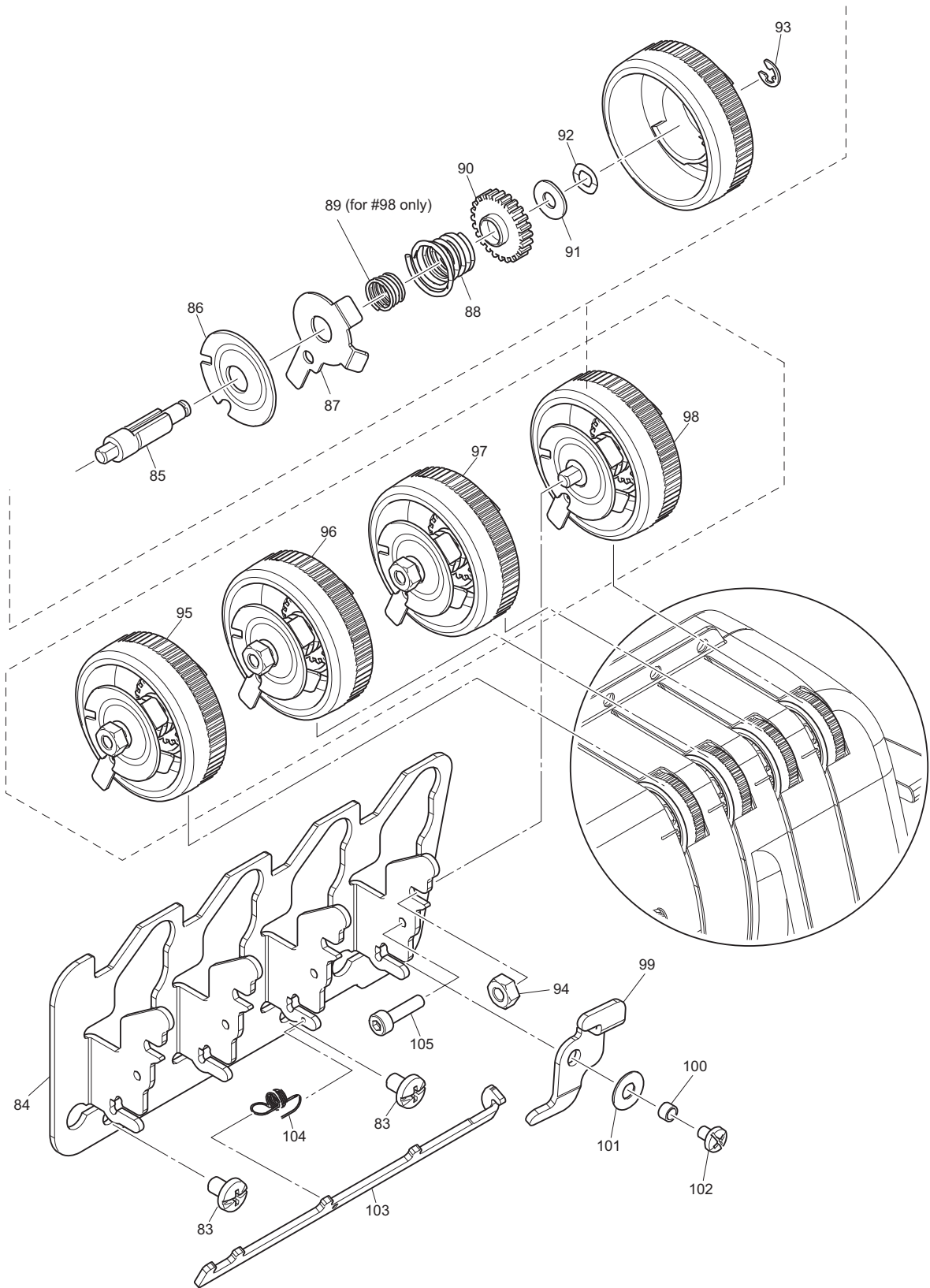
| No.                | CODE      | NAME                             | REMARKS    | No. | CODE      | NAME  | REMARKS    |
|--------------------|-----------|----------------------------------|------------|-----|-----------|---|------------|
| MAIN FRAME / COVER |           |                                  |            | 29  | XB1493001 | NEEDLE THREAD GUIDE O                                   |            |
| 1                  | XB1374001 | OIL PAN                          |            | 30  | XB1492001 | NEEDLE THREAD TAKE-UP GUIDE                             |            |
| 2                  | XB0864000 | CUSHION C                        | 1000053507 | 31  | XB1495001 | NEEDLE THREAD SEPARATOR                                 |            |
| 3                  | X75720001 | SET SCREW                        |            | 32  | XB1496001 | UL THREAD GUIDE LEVER                                   |            |
| 4                  | XB2003001 | FRONT COVER ASSY (4234D, 4234DT) |            | 33  | XB1497001 | UL THREAD GUIDE SPRING                                  |            |
|                    | XB2133001 | FRONT COVER ASSY (5234PRW)       |            | 34  | 028030246 | WASHER SPRING 2-3                                       |            |
|                    | XB2149001 | FRONT COVER ASSY (4234DT)        | 1000037471 | 35  | XB1946001 | CHANGE KNOB   |            |
|                    | XB2524001 | FRONT COVER ASSY (3234DT)        |            | 36  | XB1945001 | THREAD TAKE-UP COVER                                    |            |
|                    | XB2553001 | FRONT COVER ASSY (5100D)         |            | 37  | 060400606 | SCREW BIND M4X6   |            |
|                    | XB2593001 | FRONT COVER ASSY (755D)          |            | 38  | 037401216 | TAPPING SCREW PAN V M4X12                               |            |
| 5                  | XB2147001 | FRONT COVER HOOK                 | 1000022594 | 39  | XB1477101 | LOOPER TAKE-UP STAND                                    |            |
| 6                  | 037300616 | TAPPING SCREW PAN V M3X6         |            | 40  | X77726002 | LOOPER THREAD TAKE-UP A                                 |            |
| 7                  | XB1375001 | FRONT COVER HINGE PLATE          |            | 41  | X77727001 | LOOPER THREAD TAKE-UP B                                 |            |
| 8                  | XB1376001 | FRONT COVER GUIDE SHFT           |            | 42  | 018402032 | BOLT SOCKET M4X20                                       |            |
| 9                  | 127174001 | FRONT COVER SPRING               |            | 43  | XB1484001 | THREAD TENSION BASE PLATE                               |            |
| 10                 | 048030342 | RETAINING RING E3                |            | 44  | XB1598001 | THREAD TENSION BASE ASSY                                |            |
| 11                 | XB2107001 | CAUTION                          |            | 45  | X77235000 | TENSION DISC  |            |
| 12                 | XB2108001 | FACE PLATE STICKER               |            | 46  | X77236000 | TENSION DISC A  |            |
| 13                 | XB1985001 | ARM COVER ASSY                   |            | 47  | XB1763001 | THREAD TENSION RELEASE PLATE S                          |            |
| 14                 | 060400606 | SCREW BIND M4X6                  |            | 48  | X77414001 | SPRING<br>(EXCEPT: THREAD TENSION ASSY R)               |            |
| 15                 | XB2527001 | LAMP COVER STAND (3234DT)        |            | 49  | XB1209001 | SPRING 0.8<br>(THREAD TENSION ASSY R ONLY)              |            |
|                    | XB2656001 | LAMP COVER STAND (5100D)         |            | 50  | XB0817001 | THREAD TENSION SPRING S<br>(THREAD TENSION ASSY U ONLY) |            |
|                    | XB2597001 | LAMP COVER STAND (755D)          |            | 51  | X75992001 | WASHER  |            |
|                    | XB1942001 | LAMP COVER STAND (OTHER)         |            | 52  | XB2395001 | THREAD TENSION NUT                                      |            |
| 16                 | XB1947001 | LAMP COVER                       |            | 53  | 025040232 | WASHER PLAIN M 4  | 1000022590 |
| 17                 | XB2056001 | CUTTER ASSY                      |            | 54  | XB3415001 | WAVE WASHER   | 1000056802 |
| 18                 | XB1905001 | THREAD KNIFE PLATE               |            | 55  | XB2046101 | THREAD TENSION DIAL (YELLOW)                            | 1000027405 |
| 19                 | 037300616 | TAPPING SCREW PAN V M3X6         |            | 56  | XB2046102 | THREAD TENSION DIAL (GREEN)                             | 1000027405 |
| 20                 | XB1999001 | RETAINING RING CSTW              |            | 57  | XB2046103 | THREAD TENSION DIAL (PINK)                              | 1000027405 |
| 21                 | 037401014 | TAPPING SCREW PAN V M4X10        |            | 58  | XB2046104 | THREAD TENSION DIAL (BLUE)                              | 1000027405 |
|                    | XB1949001 | SUB TABLE                        |            | 59  | 048030342 | RETAINING RING E3                                       |            |
| 23                 | XB2528001 | SIDE SEAL (3234DT)               |            | 60  | 060300406 | SCREW BIND M3X4   |            |
|                    | XB1950001 | SIDE SEAL (OTHER)                |            | 61  | XB2398001 | THREAD TENSION LEVER                                    |            |
| 24                 | 060401206 | SCREW BIND M4X12                 |            | 62  | XB1608001 | SPACER 3X2.5  |            |
| UPPER THREAD GUIDE |           |                                  |            | 63  | XB2246001 | WASHER PLAIN S 4.2                                      | 1000029955 |
| 25                 | XB2034001 | PANEL PLATE L ASSY (4234DT)      |            | 64  | XB1489001 | THREAD TENSION RELEASE SHAFT                            |            |
|                    | XB1992001 | PANEL PLATE L ASSY (4234D)       |            | 65  | X76230001 | THREAD TENSION RELEASE BLOCK                            |            |
|                    | XB2131001 | PANEL PLATE L ASSY (5234PRW)     |            | 66  | 014300332 | SET SCREW SOCKET (CP) M3X3                              |            |
|                    | XB2530001 | PANEL PLATE L ASSY (3234DT)      |            | 67  | XB1695001 | SPRING  |            |
|                    | XB2556001 | PANEL PLATE L ASSY (5100D)       |            | 68  | XB2399001 | THREAD TENSION RELEASE CAM                              |            |
|                    | XB2600001 | PANEL PLATE L ASSY (755D)        |            | 69  | 014400422 | SET SCREW, SOCKET (CP) M4X4                             |            |
| 26                 | XB2203001 | PANEL UPPER THREAD GUIDE         | 1000028128 |     |           |   |            |
| 27                 | 037300813 | TAPPING SCREW PAN V M3X8         | 1000027039 |     |           |   |            |
| 28                 | XB1904001 | NEEDLE THREAD GUIDE R            |            |     |           |   |            |

# (1)-1 MAIN FRAME / COVER / UPPER THREAD GUIDE (Old type)





# (1)-2 MAIN FRAME / COVER / UPPER THREAD GUIDE (New type)

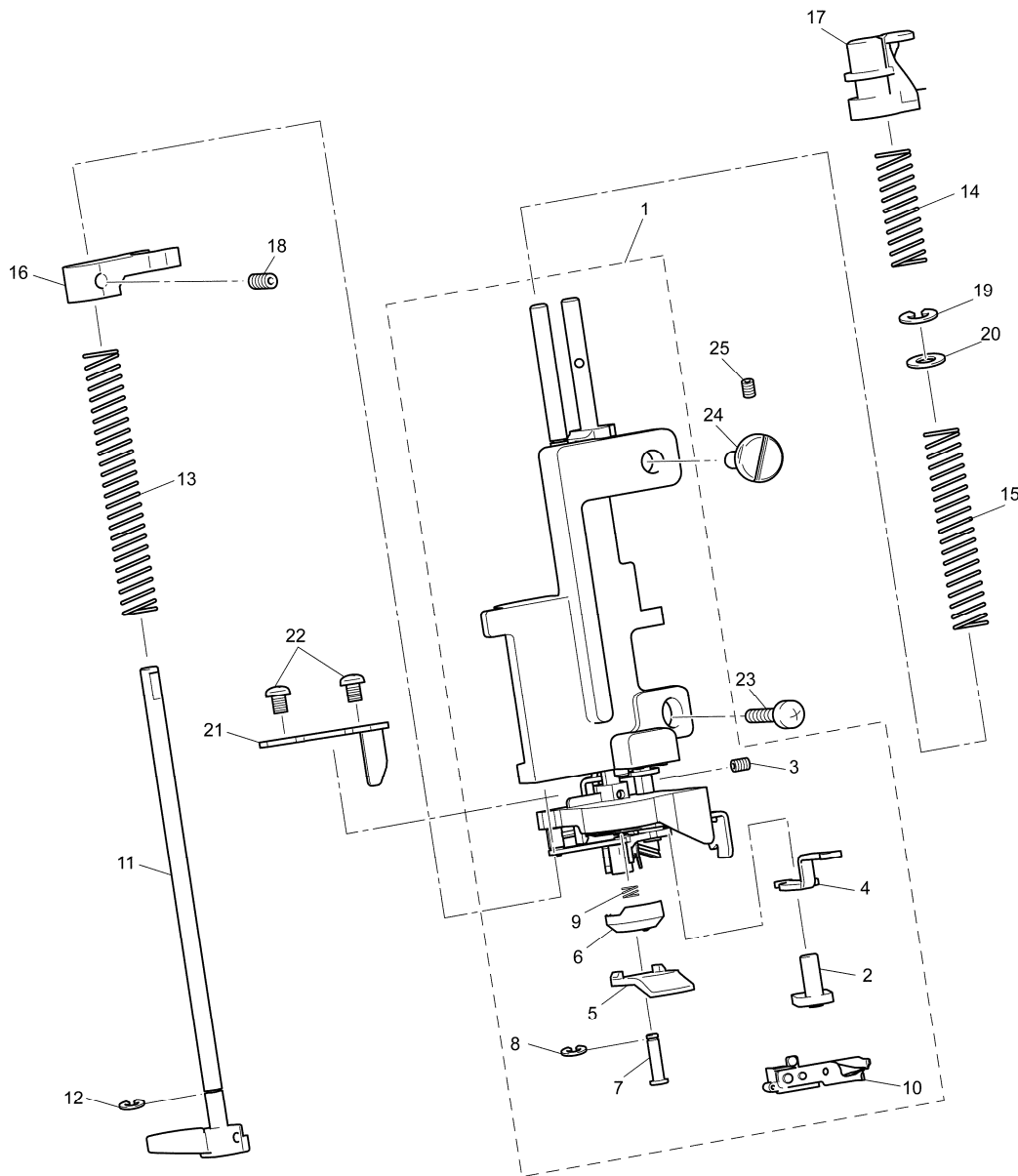


## (1)-2 MAIN FRAME / COVER / UPPER THREAD GUIDE (New type)

| No.                | CODE      | NAME  | REMARKS    | No. | CODE      | NAME                 | REMARKS |
|--------------------|-----------|---|------------|-----|-----------|----------------------|---------|
| UPPER THREAD GUIDE |           |   |            | 99  | XB2398001 | THREAD TENSION LEVER |         |
| 83                 | 060401606 | SCREW BIND M4X16                              |            | 100 | XB1608001 | SPACER 3X2.5         |         |
| 84                 | XB2390001 | THREAD TENSION BASE                           |            | 101 | XB2246001 | WASHER PLAIN S 4.2   |         |
| 85                 | XB2392001 | THREAD TENSION SHAFT                          |            | 102 | 060300406 | SCREW BIND M3X4      |         |
| 86                 | X77236000 | TENTION DISC A                                |            | 103 | XB2397001 | THREAD TENSION SLIDE |         |
| 87                 | XB2393001 | TENSION RELEASE DISC B                        |            | 104 | XB2471001 | SPRING               |         |
| 88                 | X77414001 | SPRING  |            | 105 | 018301236 | BOLT SOCKET M3X12    |         |
| 89                 | XB0817001 | THREAD TENSION SPRING S                       |            |     |           |                      |         |
| 90                 | XB2395001 | THREAD TENSION NUT                            |            |     |           |                      |         |
| 91                 | 025040232 | WASHER PLAIN M 4                              |            |     |           |                      |         |
| 92                 | XB3415001 | WAVE WASHER                                   | 1000056802 |     |           |                      |         |
| 93                 | 048030346 | RETAINING RING E3                             |            |     |           |                      |         |
| 94                 | 021400106 | NUT 1 M4                                      |            |     |           |                      |         |
| 95                 | XB2535001 | THREAD TENSION DIAL (YELLOW)<br>(3234DT: USA) |            |     |           |                      |         |
|                    | XB2561001 | THREAD TENSION DIAL (YELLOW)<br>(5100D: RUS)  |            |     |           |                      |         |
|                    | XB2605001 | THREAD TENSION DIAL (YELLOW)<br>(755D: RUS)   |            |     |           |                      |         |
|                    | XB2481001 | THREAD TENSION DIAL (YELLOW)<br>(OTHER)       |            |     |           |                      |         |
| 96                 | XB2537001 | THREAD TENSION DIAL (GREEN)<br>(3234DT: USA)  |            |     |           |                      |         |
|                    | XB2564001 | THREAD TENSION DIAL (GREEN)<br>(5100D: RUS)   |            |     |           |                      |         |
|                    | XB2608001 | THREAD TENSION DIAL (GREEN)<br>(755D: RUS)    |            |     |           |                      |         |
|                    | XB2481002 | THREAD TENSION DIAL (GREEN)<br>(OTHER)        |            |     |           |                      |         |
| 97                 | XB2539001 | THREAD TENSION DIAL (PINK)<br>(3234DT: USA)   |            |     |           |                      |         |
|                    | XB2566001 | THREAD TENSION DIAL (PINK)<br>(5100D: RUS)    |            |     |           |                      |         |
|                    | XB2610001 | THREAD TENSION DIAL (PINK)<br>(755D: RUS)     |            |     |           |                      |         |
|                    | XB2481003 | THREAD TENSION DIAL (PINK)<br>(OTHER)         |            |     |           |                      |         |
| 98                 | XB2541001 | THREAD TENSION DIAL (BLUE)<br>(3234DT: USA)   |            |     |           |                      |         |
|                    | XB2568001 | THREAD TENSION DIAL (BLUE)<br>(5100D: RUS)    |            |     |           |                      |         |
|                    | XB2612001 | THREAD TENSION DIAL (BLUE)<br>(755D: RUS)     |            |     |           |                      |         |
|                    | XB2481004 | THREAD TENSION DIAL (BLUE)<br>(OTHER)         |            |     |           |                      |         |



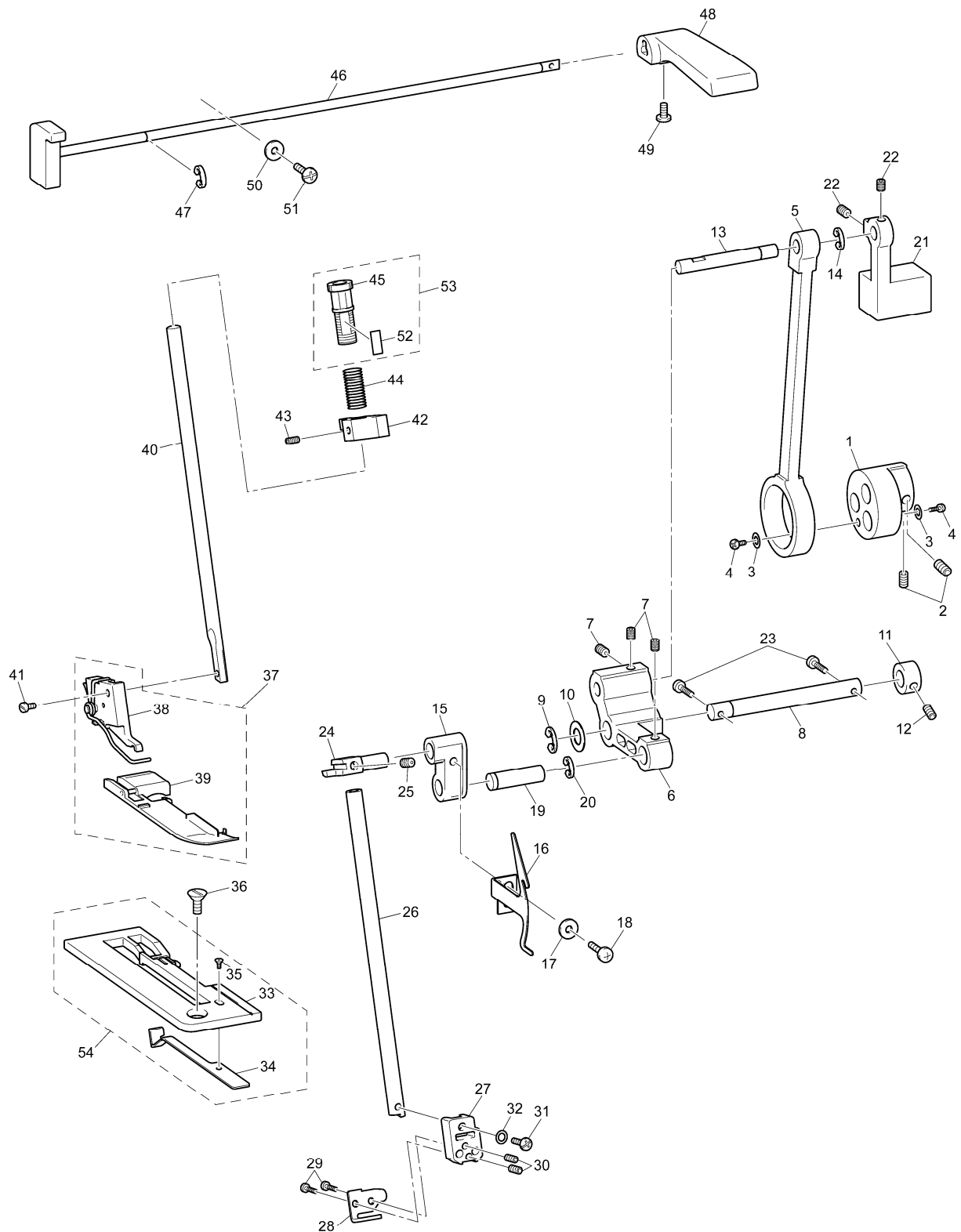
# (1) MAIN FRAME / COVER / UPPER THREAD GUIDE



## (1) MAIN FRAME / COVER / UPPER THREAD GUIDE

| No.                  | CODE      | NAME                        | REMARKS |
|----------------------|-----------|-----------------------------|---------|
| NEEDLE THREADER ASSY |           |                             |         |
| 1                    | XB2031001 | NEEDLE THREADER ASSY        |         |
| 2                    | XB1976001 | CHANGE FILLER PLATE ASSY    |         |
| 3                    | 014400422 | SET SCREW, SOCKET (CP) M4X4 |         |
| 4                    | XB1895001 | CHANGE LEVER                |         |
| 5                    | XB1901001 | LINK GUIDE COVER            |         |
| 6                    | XB1898001 | THREAD GUIDE DISK           |         |
| 7                    | XB1900001 | THREAD GUIDE DISK SHAFT     |         |
| 8                    | 048020342 | RETAINING RING E2           |         |
| 9                    | XB2022001 | SPRING                      |         |
| 10                   | XB1981001 | HOOK HOLDER ASSY            |         |
| 11                   | XB1975001 | THREADER LEVER ASSY         |         |
| 12                   | 048025346 | RETAINING RING E2.5         |         |
| 13                   | XB1912001 | THREADER LEVER SPRING       |         |
| 14                   | XB1910001 | THREADER ROTATION SPRING    |         |
| 15                   | XB1914001 | THREADER RETURN SPRING      |         |
| 16                   | XB1933001 | THREADER SLIDER             |         |
| 17                   | XB1889001 | THREADER LEVER BASE         |         |
| 18                   | 014400422 | SET SCREW, SOCKET (CP) M4X4 |         |
| 19                   | 048025346 | RETAINING RING E2.5         |         |
| 20                   | 025040132 | WASHER PLAIN S 4            |         |
| 21                   | XB2144001 | THREAD GUIDE FIXED PLATE    |         |
| 22                   | 062300406 | SCREW PAN M3X4              |         |
| 23                   | 060400806 | SCREW BIND M4X8             |         |
| 24                   | XB1888001 | ADJUSTING SHAFT             |         |
| 25                   | 014400422 | SET SCREW, SOCKET (CP) M4X4 |         |
|                      |           |                             |         |
|                      |           |                             |         |
|                      |           |                             |         |
|                      |           |                             |         |
|                      |           |                             |         |
|                      |           |                             |         |
|                      |           |                             |         |
|                      |           |                             |         |
|                      |           |                             |         |
|                      |           |                             |         |
|                      |           |                             |         |
|                      |           |                             |         |
|                      |           |                             |         |
|                      |           |                             |         |
|                      |           |                             |         |
|                      |           |                             |         |
|                      |           |                             |         |
|                      |           |                             |         |
|                      |           |                             |         |
|                      |           |                             |         |

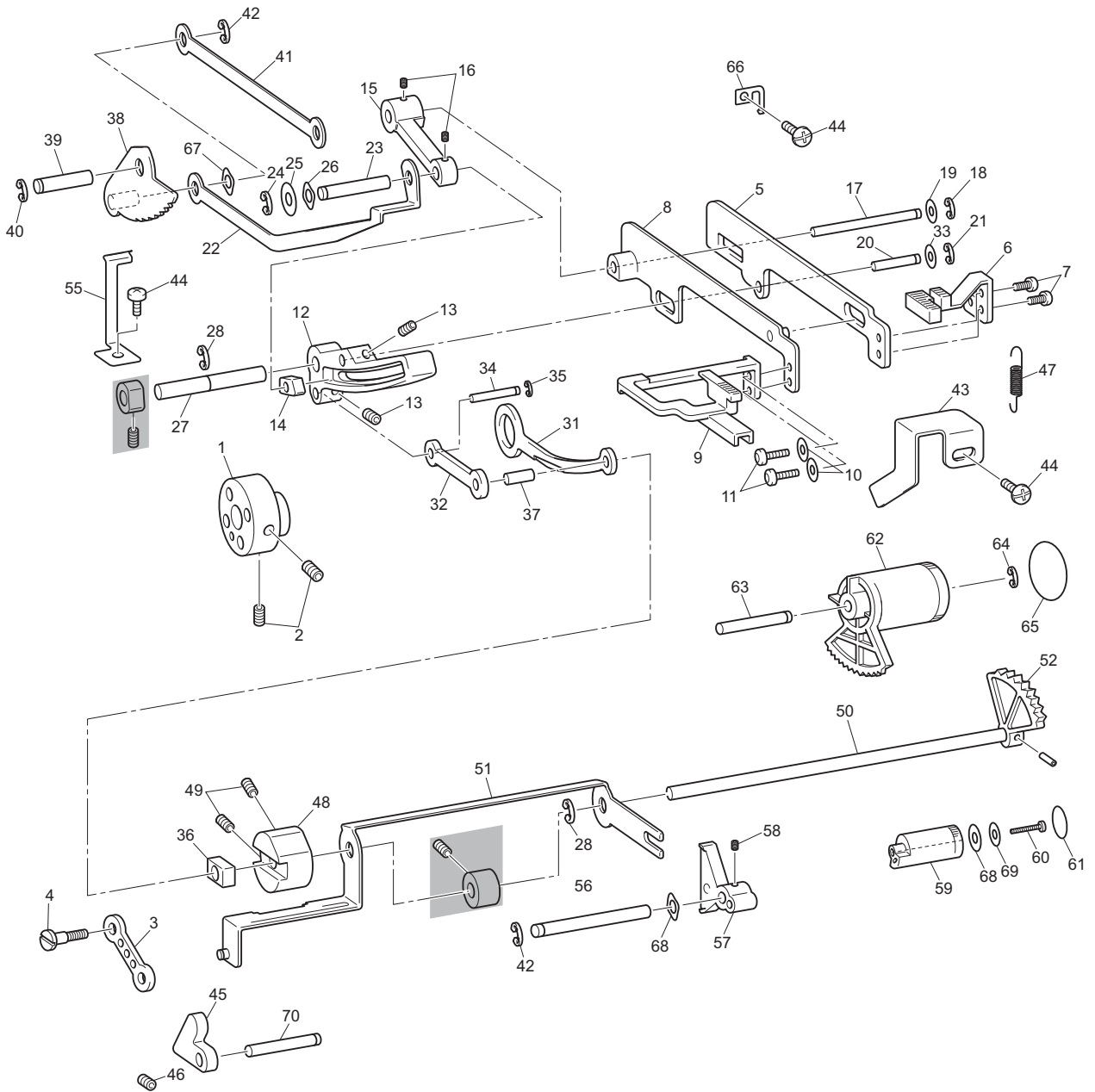
## (2) NEEDLE BAR / PRESSER FOOT UNIT



## (2) NEEDLE BAR / PRESSER FOOT UNIT

| No.                  | CODE                 | NAME  | REMARKS    | No.               | CODE      | NAME                         | REMARKS    |
|----------------------|----------------------|---|------------|-------------------|-----------|------------------------------|------------|
| NEEDLE BAR MECHANISM |                      |   |            | PRESSER FOOT UNIT |           |                              |            |
| 1                    | <del>XB2480004</del> | NEEDLE BAR ECCENTRIC WHEEL<br>(3234DT, 5100D, 755D, 4234D: KOR) |            | 37                | XB1983001 | PRESSER ASSY                 |            |
|                      | XB2790001            | NEEDLE BAR ECCENTRIC WHEEL                                      | 1000053507 | 38                | XB1979001 | PRESSER FOOT HOLDER ASSY     |            |
| 2                    | XB2434001            | SET SCREW SOCKET (FT) M4X4                                      | 1000052491 | 39                | XB0316001 | PRESSER FOOT ASSY            |            |
| 3                    | 025040332            | WASHER SPRING L 4   | 1000053507 | 40                | 126660001 | PRESSER BAR                  |            |
| 4                    | 060300616            | SCREW BIND M3X6   | 1000053507 | 41                | 126851001 | SET SCREW                    |            |
| 5                    | XB1396001            | NEEDLE BAR ROD  |            | 42                | XB1883001 | PRESSER BAR BRACKET          |            |
| 6                    | XB1395001            | NEEDLE BAR DRIVING LEVER  |            | 43                | 014400422 | SET SCREW, SOCKET (CP) M4X4  |            |
| 7                    | 014400422            | SET SCREW, SOCKET (CP) M4X4                                     |            | 44                | XB1972001 | PRESSER BAR SPRING           |            |
| 8                    | XB2548001            | NEEDLE BAR SHAFT  |            | 45                | XB1398002 | PRESSER FOOT ADJUSTING SCREW | 1000024442 |
| 9                    | 048060342            | RETAINING RING E6   |            | 46                | XB2404001 | PRESSER LIFTER SHAFT ASSY    |            |
| 10                   | 026080136            | WASHER PLAIN S 8  |            | 47                | 048030342 | RETAINING RING E3            |            |
| 11                   | X75150001            | COLLAR  |            | 48                | XB1399002 | PRESSER FOOT LEVER           |            |
| 12                   | 014400422            | SET SCREW, SOCKET (CP) M4X4                                     |            | 49                | 060300806 | SCREW BIND M3X8              |            |
| 13                   | XB1527001            | NEEDLE BAR ROD SHAFT  |            | 50                | 025040332 | WASHER, PLAIN L 4            |            |
| 14                   | 048050342            | RETAINING RING E5   |            | 51                | 060400606 | SCREW, BIND M4X6             |            |
| 15                   | XB1276000            | NEEDLE BAR CONNECTING LINK                                      |            | 52                | XB0466001 | PRESSER FOOT ADJUSTING SEAL  |            |
| 16                   | XB2038001            | THREAD TAKE-UP B  |            | 53                | XB1559002 | PRESSER FOOT ADJUSTING SCREW | 1000052141 |
| 17                   | 028040242            | WASHER, SPRING 2-4  |            |                   |           |                              |            |
| 18                   | 060400606            | SCREW, BIND M4X6  |            | 54                | XB3594001 | NEEDLE PLATE L ASSY          |            |
| 19                   | XB0806001            | NEEDLE BAR ROD SHAFT ASSY                                       |            |                   |           |                              |            |
| 20                   | 048050346            | RETAINING RING E5   |            |                   |           |                              |            |
| 21                   | XB1394001            | NEEDLE BAR BALANCE ASSY   |            |                   |           |                              |            |
| 22                   | 014400422            | SET SCREW, SOCKET (CP) M4X4                                     |            |                   |           |                              |            |
| 23                   | 060401206            | SCREW BIND M4X12  | 1000053982 |                   |           |                              |            |
| 24                   | XB2712001            | NEEDLE BAR CONNECTING STUD                                      |            |                   |           |                              |            |
| 25                   | 014400422            | SET SCREW, SOCKET (CP) M4X4                                     | 1000052489 |                   |           |                              |            |
| 26                   | XB1390001            | NEEDLE BAR  |            |                   |           |                              |            |
| 27                   | XB1391001            | NEEDLE CLAMP BASE   |            |                   |           |                              |            |
| 28                   | XB1882001            | NEEDLE CLAMP PLATE  |            |                   |           |                              |            |
| 29                   | 060300616            | SCREW BIND M3X6   |            |                   |           |                              |            |
| 30                   | 016300432            | SET SCREW SOCKET (CN) M3X4                                      |            |                   |           |                              |            |
| 31                   | 002301003            | SCREW PAN M3X10   | 1000027039 |                   |           |                              |            |
| 32                   | 026030132            | WASHER PLAIN S 3  |            |                   |           |                              |            |
| 33                   | XB1555001            | NEEDLE PLATE ASSY (~D5U111100)                                  |            |                   |           |                              |            |
|                      | XB3593001            | NEEDLE PLATE ASSY (D5U111101~)                                  |            |                   |           |                              |            |
| 34                   | X77618001            | FIXED NEEDLE GUARD  |            |                   |           |                              |            |
|                      | XB2448104            | FIXED NEEDLE GUARD (D5U111101~)                                 |            |                   |           |                              |            |
| 35                   | 004020506            | SCREW FLAT M2X5   |            |                   |           |                              |            |
|                      | 060020406            | SCREW BIND M2X4 (D5U111101~)                                    |            |                   |           |                              |            |
| 36                   | 100032003            | SCREW, FLAT SM4.37-40X8   |            |                   |           |                              |            |
|                      |                      |   |            |                   |           |                              |            |
|                      |                      |   |            |                   |           |                              |            |

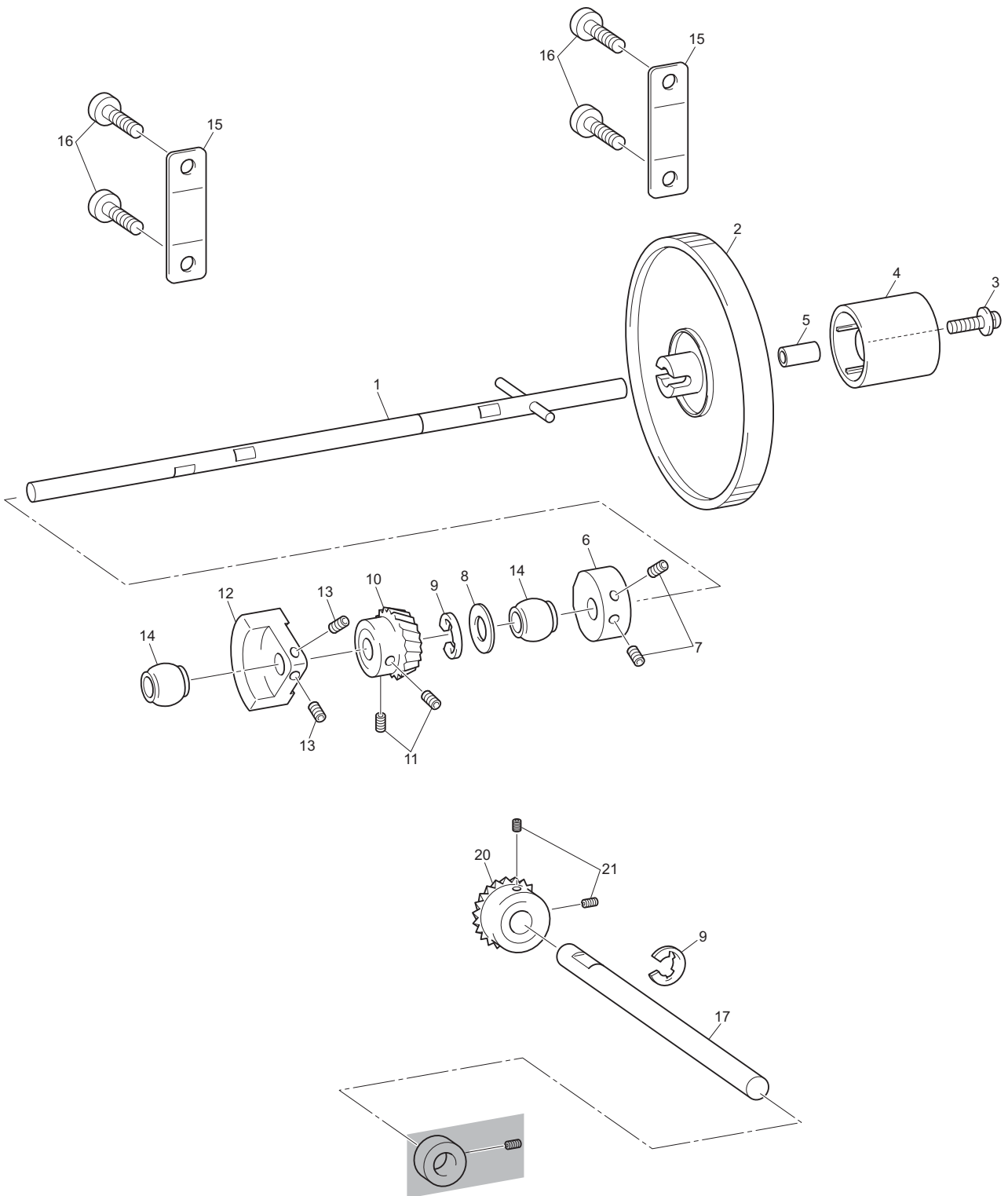
### (3) FEED MECHANISM



### (3) FEED MECHANISM

| No. | CODE                 | NAME                             | REMARKS    | No. | CODE                 | NAME                                   | REMARKS    |
|-----|----------------------|----------------------------------|------------|-----|----------------------|--|------------|
| 1   | XB2382001            | FEED ECCENTRIC WHEEL             | 1000052491 | 44  | 060400606            | SCREW BIND M4X6                        |            |
| 2   | XB2434001            | SET SCREW SOCKET (FT) M4X4       | 1000052491 | 45  | XB1404001            | FEED ADJUSTING CAM                     |            |
| 3   | XB1437001            | UPPER KNIFE LINK                 |            | 46  | 014400832            | SET SCREW SOCKET (CP) M4X8             |            |
| 4   | XB1368001            | STOPPER SCREW                    |            | 47  | XB1408001            | FEED SPRING                            |            |
| 5   | XB1425001            | MAIN FEED BAR                    |            | 48  | XB1514001            | FEED ADJUSTING LEVER                   |            |
| 6   | XB1402001            | MAIN FEED DOG                    |            | 49  | 014400422            | SET SCREW, SOCKET (CP) M4X4            |            |
| 7   | 018300636            | BOLT SOCKET M3X6                 | 1000028225 | 50  | XB1406001            | FEED ADJUSTING LEVER SHAFT (~L3U*****) | 1000042507 |
| 8   | XB1566001            | DIFERENTIAL FEED BAR ASSY        |            |     | XB2335001            | FEED ADJUSTING LEVER SHAFT (M3U*****~) | 1000042507 |
| 9   | XB1403001            | DIFFERENCIAL FEED DOG            |            | 51  | XB1571001            | DIFFERENTIAL ADJUSTING LEVER           |            |
| 10  | 026030132            | WASHER PLAIN S 3                 |            | 52  | XB1414001            | FEED ADJUSTING GEARS                   |            |
| 11  | 018300832            | BOLT SOCKET M3X8                 |            | 53  | <del>XB1472001</del> | UL COLLAR                              | 1000042507 |
| 12  | XB2383001            | FEED BAR LEVER                   |            | 54  | <del>014400422</del> | SET SCREW, SOCKET (CP) M4X4            | 1000042507 |
| 13  | 014400422            | SET SCREW, SOCKET (CP) M4X4      |            | 55  | XB1420001            | DIFFERENTIAL ADJUSTING LEVER           |            |
| 14  | X77653000            | DIFERENTAL FEED ADJUSTING        |            | 56  | XB2388001            | DIFFERENTIAL DIAL SHAFT                |            |
| 15  | XB1433001            | DIFFERENTIAL FEED LINK           |            | 57  | XB2387001            | DIFFERENTIAL DIAL STAND                |            |
| 16  | 014400422            | SET SCREW, SOCKET (CP) M4X4      |            | 58  | 014400422            | SET SCREW, SOCKET (CP) M4X4            |            |
| 17  | XB0474001            | LINK SHAFT                       |            | 59  | XB1521002            | DIFFERENTIAL DIAL                      |            |
| 18  | 048040342            | RETAINING RING E4                |            | 60  | 060301606            | SCREW BIND M3X16                       |            |
| 19  | 025050132            | WASHER PLAIN S 5                 |            | 61  | XB1524001            | DIFFERENTIAL DIAL LID                  |            |
| 20  | XB2384001            | ADJUSTING BLOCK SHAFT            |            | 62  | XB2097001            | FEED DIAL                              |            |
| 21  | 048040342            | RETAINING RING E4                |            | 63  | X76711201            | DRIVING LEVER ARM SHAFT                | 1000052965 |
| 22  | XB1435001            | DIFFERENTIAL ADJUSTING LINK      |            | 64  | 048050346            | RETAINING RING E5                      |            |
| 23  | X77652000            | ADJUSTING LINK SHAFT             |            | 65  | XB1416001            | FEED DIAL LID                          |            |
| 24  | 048030342            | RETAINING RING E3                |            | 66  | XB1413001            | ADJUSTING DIAL SPRING                  |            |
| 25  | 025040232            | WASHER PLAIN M 4                 |            | 67  | X76687000            | WAVE WASHER                            |            |
| 26  | X76879000            | WAVE WASHER                      |            | 68  | 026030132            | WASHER PLAIN S 3                       |            |
| 27  | XB1421001            | FEED BAR LEVER SHAFT (~L3U*****) | 1000042507 | 69  | 028030246            | WASHER SPRING 2-3                      |            |
|     | XB2334001            | FEED BAR LEVER SHAFT (M3U*****~) | 1000042507 | 70  | XB2309001            | FEED ADJUSTING CAM SHAFT               | 1000037377 |
| 28  | 048050342            | RETAINING RING E5                | 1000042507 |     |                      |  |            |
| 29  | <del>XB1430004</del> | FEED BAR LEVER COLLAR            | 1000042507 |     |                      |  |            |
| 30  | <del>014400422</del> | SET SCREW, SOCKET (CP) M4X4      | 1000042507 |     |                      |  |            |
| 31  | XB1423001            | FEED ROD                         |            |     |                      |  |            |
| 32  | XB1424001            | FEED LINK                        |            |     |                      |  |            |
| 33  | 025050132            | WASHER PLAIN S 5                 |            |     |                      |  |            |
| 34  | XB2384001            | ADJUSTING BLOCK SHAFT            |            |     |                      |  |            |
| 35  | 048040342            | RETAINING RING E4                |            |     |                      |  |            |
| 36  | XB1400001            | FEED ADJUSTING BLOCK             |            |     |                      |  |            |
| 37  | XB1401001            | FEED ADJUSTING BLOCK SHAFT       |            |     |                      |  |            |
| 38  | XB1569001            | DIFFERENTIAL ADJUSTING PLATE     |            |     |                      |  |            |
| 39  | X76626001            | FEED LINK SHAFT                  |            |     |                      |  |            |
| 40  | 048040342            | RETAINING RING E4                |            |     |                      |  |            |
| 41  | XB1432001            | DIFFERENTIAL LEVER LINK          |            |     |                      |  |            |
| 42  | 048040342            | RETAINING RING E4                |            |     |                      |  |            |
| 43  | XB2059001            | FEED BAR STOPPER PLATE B         |            |     |                      |  |            |

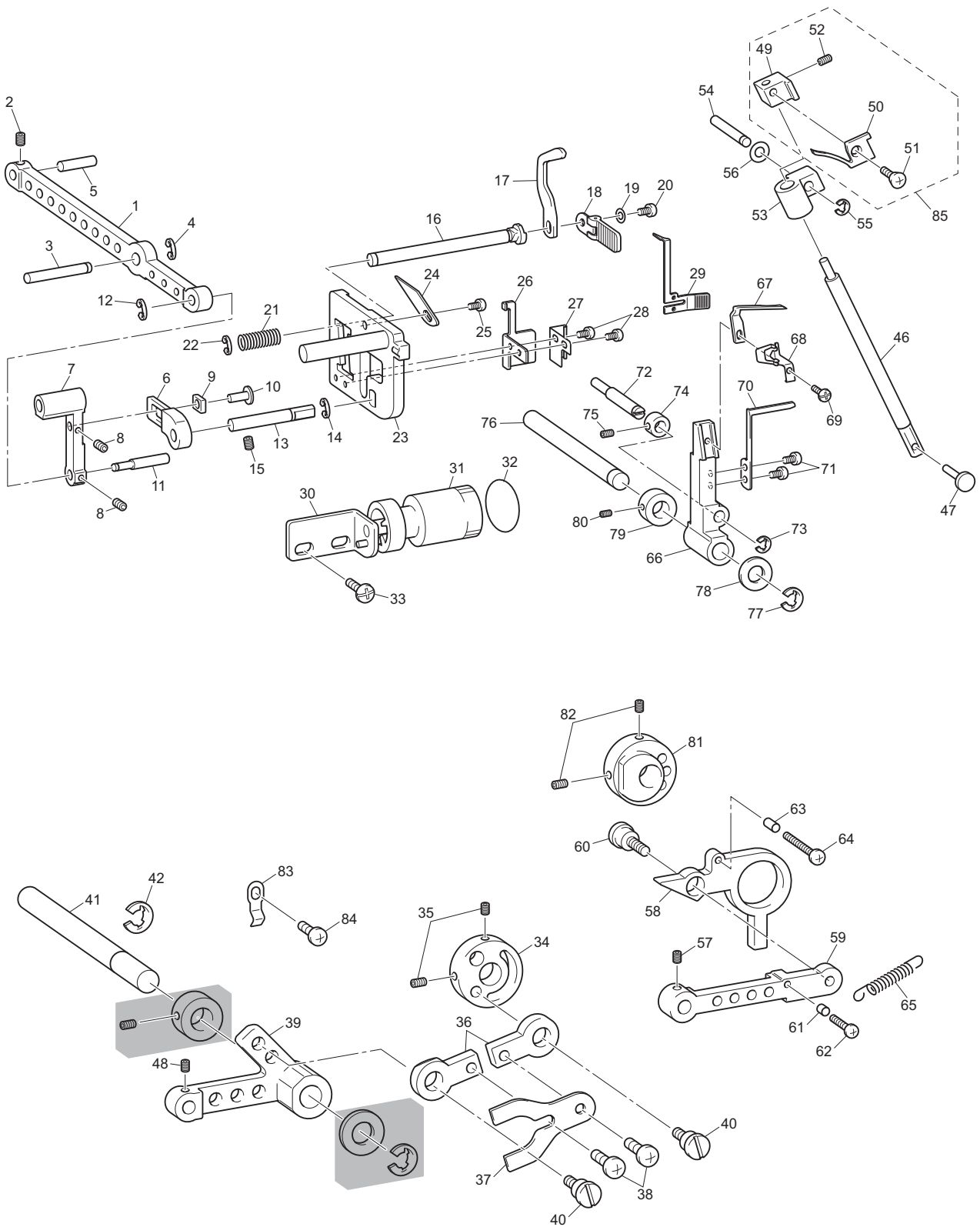
## (4) DRIVING SHAFT MECHANISM







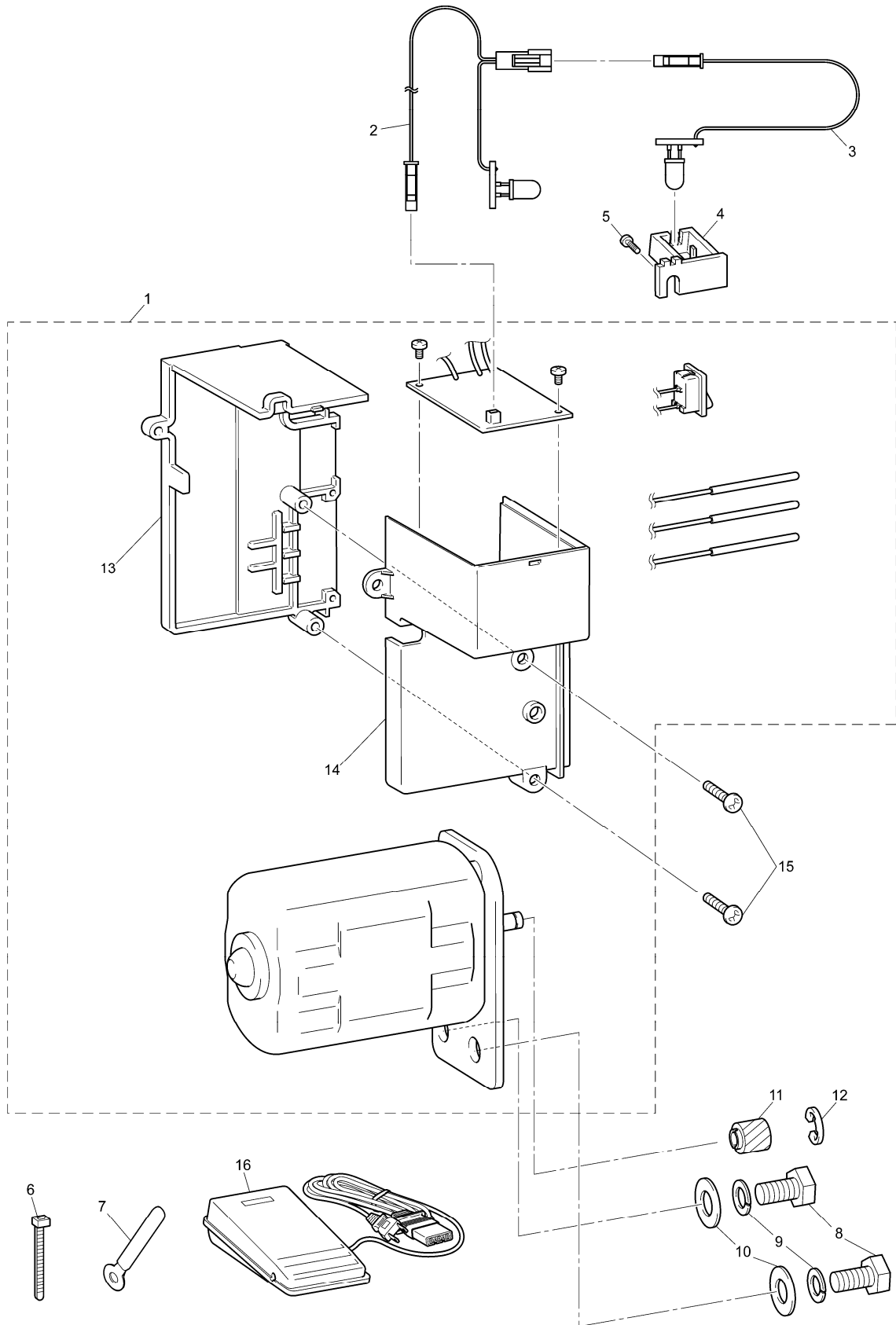
# (5) UPPER BLADE / LOWER BLADE / LOOPER MECHANISM



## (5) UPPER BLADE / LOWER BLADE / LOOPER MECHANISM

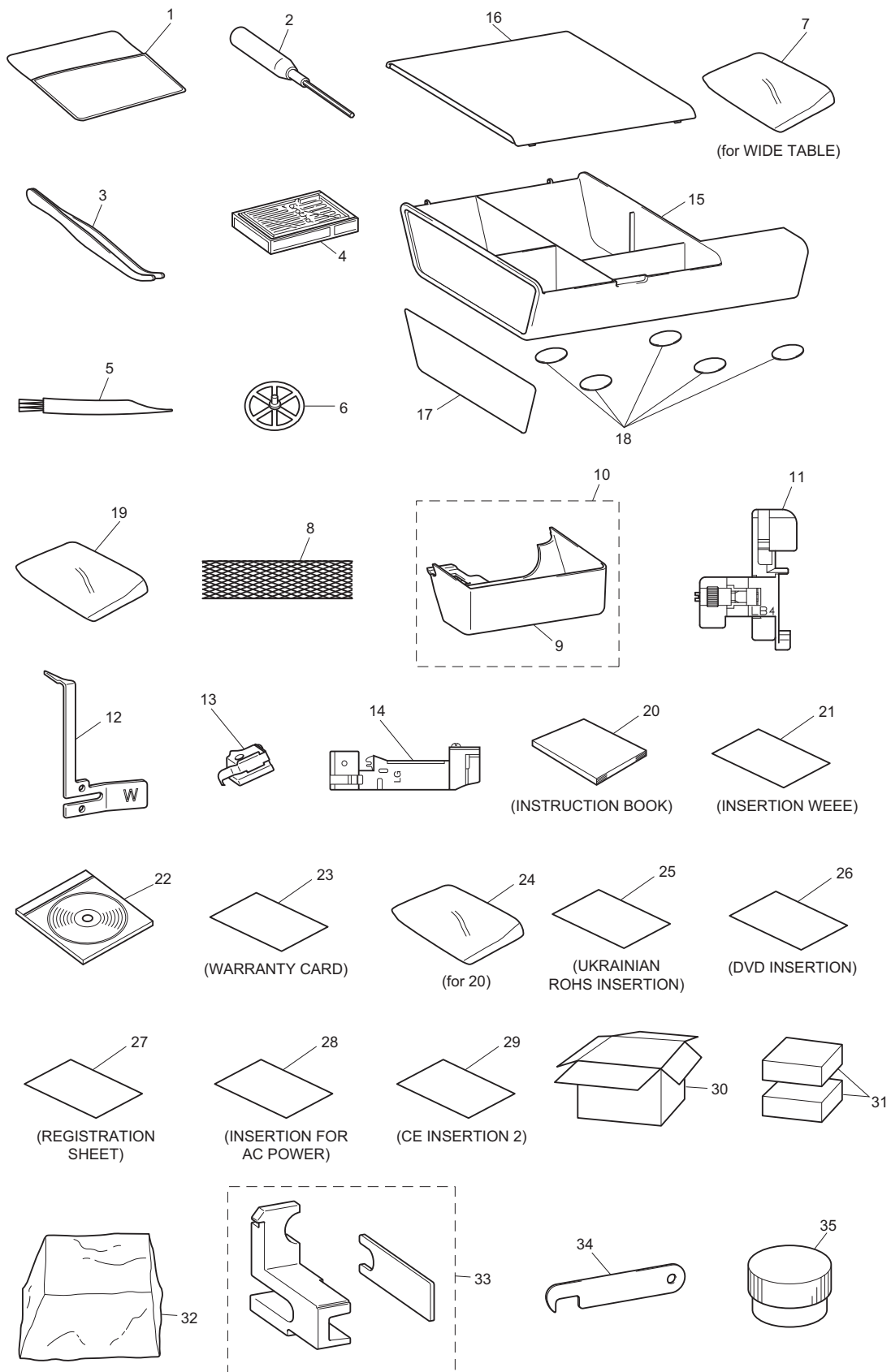
| No.              | CODE      | NAME                         | REMARKS    | No. | CODE                 | NAME                          | REMARKS    |
|------------------|-----------|------------------------------|------------|-----|----------------------|-------------------------------|------------|
| UPPER BLADE      |           |                              |            | 42  | 048060342            | RETAINING RING E6             |            |
| 1                | XB1439001 | UPPER KNIFE LEVER            |            | 43  | <del>026080136</del> | WASHER PLAIN S-8              | 1000042507 |
| 2                | 014400422 | SET SCREW, SOCKET (CP) M4X4  |            | 44  | X75150001            | COLLAR                        | 1000042507 |
| 3                | X76711201 | DRIVING LEVER ARM SHAFT      | 1000052965 | 45  | 044400422            | SET SCREW, SOCKET (CP) M4X4   | 1000042507 |
| 4                | 048050346 | RETAINING RING E5            |            | 46  | XB1885001            | O.L SHAFT                     |            |
| 5                | XB1528001 | UPPER KNIFE LINK SHAFT       |            | 47  | XB1630001            | OL SHAFT                      |            |
| 6                | XB1448001 | UPPER KNIFE LEVER            |            | 48  | 014400422            | SET SCREW, SOCKET (CP) M4X4   |            |
| 7                | XB1446001 | UPPER KNIFE ARM              |            | 49  | X77772001            | OVERLOOPER BASE               |            |
| 8                | 014400422 | SET SCREW, SOCKET (CP) M4X4  |            | 50  | X77781001            | OVER LOOPER                   |            |
| 9                | XB1449001 | VERTICAL FEED BLOCK          |            | 51  | XB1034001            | SCREW                         |            |
| 10               | XB1516001 | UPPER KNIFE LEVER SHAFT      |            | 52  | 014400422            | SET SCREW, SOCKET (CP) M4X4   |            |
| 11               | XB1447001 | UPPER KNIFE ADJUSTING SHAFT  |            | 53  | XB1466001            | OL SHAFT GUIDE                |            |
| 12               | 048050346 | RETAINING RING E5            |            | 54  | 127784001            | GUIDE SHAFT                   |            |
| 13               | XB1440001 | UPPER KNIFE LEVER SHAFT      |            | 55  | 048040342            | RETAINING RING E4             |            |
| 14               | 048050346 | RETAINING RING E5            |            | 56  | XB2202001            | WASHER PLAIN M SM4.76         | 1000027039 |
| 15               | 014400422 | SET SCREW, SOCKET (CP) M4X4  |            | 57  | 014400422            | SET SCREW, SOCKET (CP) M4X4   |            |
| 16               | XB1441001 | UPPER KNIFE HOLDER           |            | 58  | XB1467001            | UL ROD                        |            |
| 17               | XB1687001 | UPPER KNIFE                  | 1000029280 | 59  | XB1468001            | UL LINK                       |            |
| 18               | XB1576001 | KNIFE RELEASE ASSY           |            | 60  | XB1368001            | STOPPER SCREW                 |            |
| 19               | 028040242 | WASHER SPRING 2-4            |            | 61  | XB1608001            | SPACER 3X2.5                  |            |
| 20               | 060400806 | SCREW BIND M4X8              |            | 62  | 062300612            | SCREW PAN M3X6                |            |
| 21               | XB1442001 | UPPER SPRING                 |            | 63  | XB1589001            | SPACER 3X6                    |            |
| 22               | 048050342 | RETAINING RING E5            |            | 64  | 062301006            | SCREW PAN M3X10               |            |
| LOWER BLADE      |           |                              |            | 65  | XB1473001            | CHANGE SPRING                 |            |
| 23               | XB1455001 | LOWER KNIFE HOLDER ASSY      |            | 66  | XB1469001            | UL LEVER                      |            |
| 24               | XB1459001 | LOWER KNIFE                  |            | 67  | X77774001            | LOWER LOOPER                  |            |
| 25               | 060400606 | SCREW BIND M4X6              |            | 68  | XB1481001            | UL THREADER                   |            |
| 26               | XB1457001 | STITCH TONGUE STAND          |            | 69  | 060300616            | SCREW BIND M3X6               |            |
| 27               | XB1463001 | STITCH TONGUE SPRING         |            | 70  | XB0371001            | MOVADLE NEEDLE GUARD          |            |
| 28               | 062300406 | SCREW PAN M3X4               | 1000051516 | 71  | 062300406            | SCREW PAN M3X4                |            |
| 29               | XB1458001 | STITCH TONGUE                |            | 72  | XB1480001            | UL LINK SHAFT                 |            |
| 30               | XB1580001 | STITCH WIDTH DIAL STAND ASSY |            | 73  | 048050342            | RETAINING RING E5             |            |
| 31               | XB2099001 | STITCH WIDTH DIAL            | 1000027397 | 74  | XB1472001            | UL COLLAR                     |            |
| 32               | XB1462001 | STITCH WIDTH DIAL LID        |            | 75  | 014400422            | SET SCREW, SOCKET (CP) M4X4   |            |
| 33               | 060400606 | SCREW BIND M4X6              |            | 76  | XB1470001            | UL LEVER SHAFT                |            |
| LOOPER MECHANISM |           |                              |            | 77  | 048060342            | RETAINING RING E6             |            |
| 34               | XB1474001 | OL ECCENTRICITY              |            | 78  | 026080136            | WASHER PLAIN S 8              |            |
| 35               | 014400422 | SET SCREW, SOCKET (CP) M4X4  |            | 79  | X75150001            | COLLAR                        |            |
| 36               | XB1479001 | OL LINK                      |            | 80  | 014400422            | SET SCREW, SOCKET (CP) M4X4   |            |
| 37               | XB1478001 | OL LINK PLATE                |            | 81  | XB1482001            | UL ECCENTRICITY               |            |
| 38               | 060400416 | SCREW BIND M4X4              |            | 82  | 014400422            | SET SCREW, SOCKET (CP) M4X4   |            |
| 39               | XB1464001 | OL LEVER                     |            | 83  | XB1664001            | UL RELEASE MAINTENANCE SPRING |            |
| 40               | XB1368001 | STOPPER SCREW                |            | 84  | 060400606            | SCREW BIND M4X6               |            |
| 41               | XB1465001 | OL LEVER SHAFT (~L3U*****)   | 1000042507 | 85  | X77786002            | OVER LOOPER ASSEMBLY          |            |
|                  | XB2336001 | OL LEVER SHAFT (M3U*****)    | 1000042507 |     |                      |                               |            |

## (6) LAMP / ELECTRICAL PARTS / MAIN MOTOR UNIT





# (7) ACCESSORY PARTS / USER MANUAL / PACKAGE



## (7) ACCESSORY PARTS / USER MANUAL / PACKAGE

| No.             | CODE      | NAME                                 | REMARKS    | No.         | CODE      | NAME                           | REMARKS    |
|-----------------|-----------|--------------------------------------|------------|-------------|-----------|--------------------------------|------------|
| ACCESSORY PARTS |           |                                      |            | PACKAGE     |           |                                |            |
| 1               | XB2297001 | ACCESSORY BAG                        | 1000031493 | 30          | XB2306001 | CARTON (4234DT: TWN)           | 1000036422 |
| 2               | XB0393001 | SCREW DRIVER S                       |            |             | XB2414001 | CARTON (4234DT: CAN)           | 1000042488 |
| 3               | XB1618001 | PINCETTE                             |            |             | XB1959101 | CARTON (4234DT: OTHER)         | 1000035213 |
| 4               | X75917001 | NEEDLE SET ASSEMBLY                  |            |             | XB2136101 | CARTON (4234D: RUS)            | 1000042020 |
| 5               | X75906001 | BRUSH                                |            |             | XB2141001 | CARTON (4234D: AUS)            |            |
| 6               | X77260000 | CAP                                  |            |             | XB2018101 | CARTON (4234D: OTHER)          | 1000051400 |
| 7               | 123440000 | VINYL BAG                            |            |             | XB2067101 | CARTON (5234PRW)               | 1000035213 |
| 8               | X75904000 | NET                                  |            |             | XB2544001 | CARTON (3234DT)                |            |
| 9               | XB1958001 | TRIM TRAP                            |            |             | XB2570001 | CARTON (5100D)                 |            |
| 10              | XB1786101 | BAG 225X250                          | 1000028955 |             | XB2614001 | CARTON (755D)                  |            |
| 11              | X76346001 | BLIND FOOT                           |            | 31          | XB1960001 | STYROFOAM ASSY (USA, CAN, TWN) |            |
| 12              | XB1902001 | STITCH TONGUE                        |            |             | XB2019001 | STYROFOAM ASSY (OTHER)         |            |
| 13              | XB1991001 | THREAD CHANGE ASSEMBLY               |            | 32          | X77871000 | SOFT COVER                     |            |
| 14              | X77460001 | GATHERING FOOT ASSY (USA, CAN, TWN)  |            | SPARE PARTS |           |                                |            |
| 15              | XB1955001 | WIDE TABLE BASE (USA, CAN, TWN)      |            | 33          | XB2058001 | GAUGE SET                      |            |
| 16              | XB1956001 | WIDE TABLE PLATE (USA, CAN, TWN)     |            | 34          | XB1037001 | THREAD TENSION ADJUSTING TOOL  |            |
| 17              | XB1957001 | TABLE SIDE SEAL (USA, CAN, TWN)      |            | 35          | XB1747001 | GREASE TANK                    |            |
| 18              | XB1974001 | CUSHION S (USA, CAN, TWN)            |            |             |           |                                |            |
| 19              | XB2104001 | BAG (USA, CAN, TWN)                  |            |             |           |                                |            |
| USER MANUAL     |           |                                      |            |             |           |                                |            |
| 20              | XB2006201 | INSTRUCTION BOOK (English, Spanish)  | 1000055676 |             |           |                                |            |
|                 | XB2013201 | INSTRUCTION BOOK (German, Italian)   | 1000055676 |             |           |                                |            |
|                 | XB2025201 | INSTRUCTION BOOK (French, Dutch)     | 1000055676 |             |           |                                |            |
|                 | XB2027201 | INSTRUCTION BOOK (Danish, Norwegian) | 1000055676 |             |           |                                |            |
|                 | XB2028201 | INSTRUCTION BOOK (Swedish, Finnish)  | 1000055676 |             |           |                                |            |
|                 | XB2026501 | INSTRUCTION BOOK (Russian)           | 1000056293 |             |           |                                |            |
|                 | XB2438101 | INSTRUCTION BOOK (Korean)            | 1000055676 |             |           |                                |            |
| 21              | XF0300101 | INSERTION WEEE                       | 1000034545 |             |           |                                |            |
| 22              | XB2007001 | DVD-ROM ASSY (USA)                   |            |             |           |                                |            |
|                 | XB2014001 | DVD-ROM ASSY (OTHER)                 |            |             |           |                                |            |
| 23              | XB2300001 | WARRANTY SHEET FOR SERGER (USA)      | 1000033780 |             |           |                                |            |
|                 | XF6323101 | 2&5 WARRANTY FOR US (USA)            | 1000038646 |             |           |                                |            |
| 24              | XB1781101 | BAG 225X390                          | 1000028955 |             |           |                                |            |
| 25              | XE9897001 | UKRAINIAN ROHS INSERTION (RUS)       | 1000023997 |             |           |                                |            |
| 26              | XB2204001 | DVD INSERTION                        | 1000028128 |             |           |                                |            |
| 27              | XE9639001 | REGISTRATION SHEET                   | 1000029733 |             |           |                                |            |
| 28              | XF3999101 | INSERTION FOR AC POWER               | 1000033220 |             |           |                                |            |
| 29              | XF5734001 | CE INSERTION 2                       | 1000034934 |             |           |                                |            |
|                 | XB2569001 | CU INSERTION (5100D)                 |            |             |           |                                |            |
|                 | XB2613001 | CU INSERTION (755D)                  |            |             |           |                                |            |
|                 | XB2409001 | CU CAUTION INSERTION (5100D, 755D)   |            |             |           |                                |            |

**brother**

4234D/4234DT/5234PRW/3234DT  
11H10HF884B01