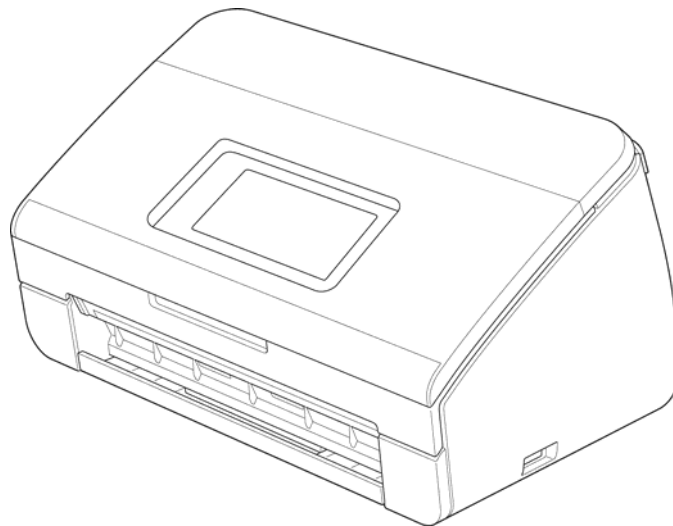




Advanced Document Scanner **PARTS REFERENCE LIST**

**MODEL:
ADS-2500W / ADS-2600W**



Read this list thoroughly before maintenance work.

Keep this list in a convenient place for quick and easy reference at all times.

August 2012
PL-PT062
8WD3*
Ver.8

NOTE FOR USING THIS PARTS REFERENCE LIST

1. In the case of ordering parts, it is necessary to mention the following items:

- (1) Code
- (2) Q'ty
- (3) Description <Example>

| | (1) CODE | (2) Q'TY | (3) DESCRIPTION | MODEL | SPEC | REMARKS |
|--|-------------|-------------|--------------------|-------|------|---------|
| | | | | | | |

2. Design-changed parts:

If any of the parts code is changed in this Parts List, one of the following symbols is indicated in the REMARKS column.

- CHG (chg): The parts code is changed to a new one in this Parts List.
 - ADD (add): The parts code is newly added in this Parts List.
 - DEL (del): The parts code is deleted in this Parts List.
- Symbol in capital letters indicates the latest parts change information in the page.

3. Parts change will be informed by the Parts change information.

4. Parts are subject to change in design without prior notice.

COUNTRIES & AREAS

US: U.S.A.

CAN: Canada

GER: Germany

UK: U.K.

SWI: Switzerland

SAF: South Africa

ARG: Argentina

ASA: Asia

GUL: Gulf

BRZ: Brazil

KOR: Korea

RUS: Russia

OCE: Oceania

(Australia/New Zealand)

PND: PAN-NOR

(Norway/Finland/Denmark/Sweden)

CHN : China

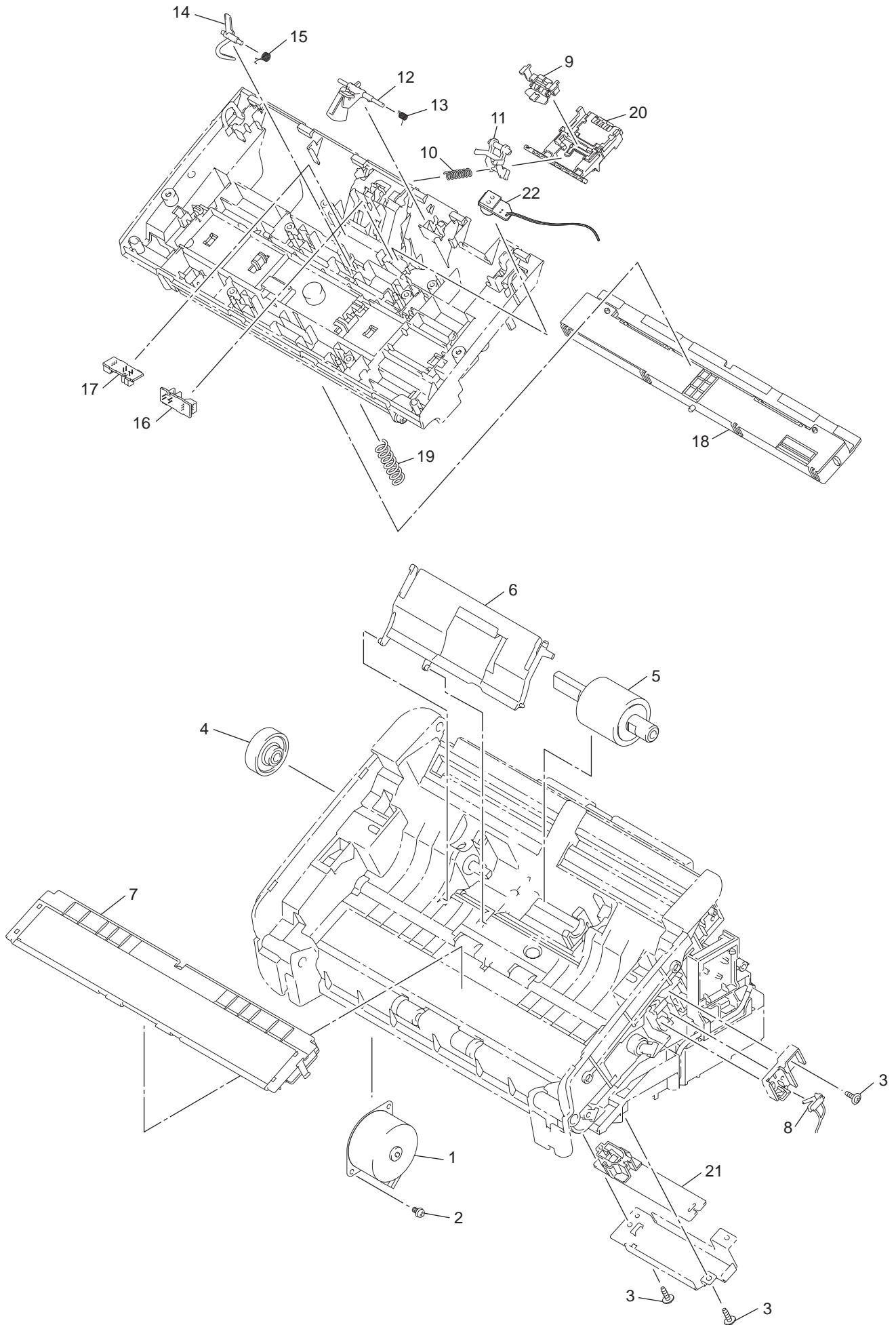
CEE: CEE-GENERAL

(Bulgaria/Czech/Hungary/Poland/Romania/
Slovakia)

CONTENTS

| | | |
|----|------------------------------|----|
| 1. | <u>SCANNER</u> | 1 |
| 2. | <u>PAPER TRAY</u> | 3 |
| 3. | <u>COVER</u> | 5 |
| 4. | <u>PANEL</u> | 7 |
| 5. | <u>PCB</u> | 9 |
| 6. | <u>OPTION</u> | 11 |
| 7. | <u>PRINTING MATTER</u> | 13 |
| 8. | <u>PACKING</u> | 15 |
| 9. | <u>OTHERS</u> | 17 |

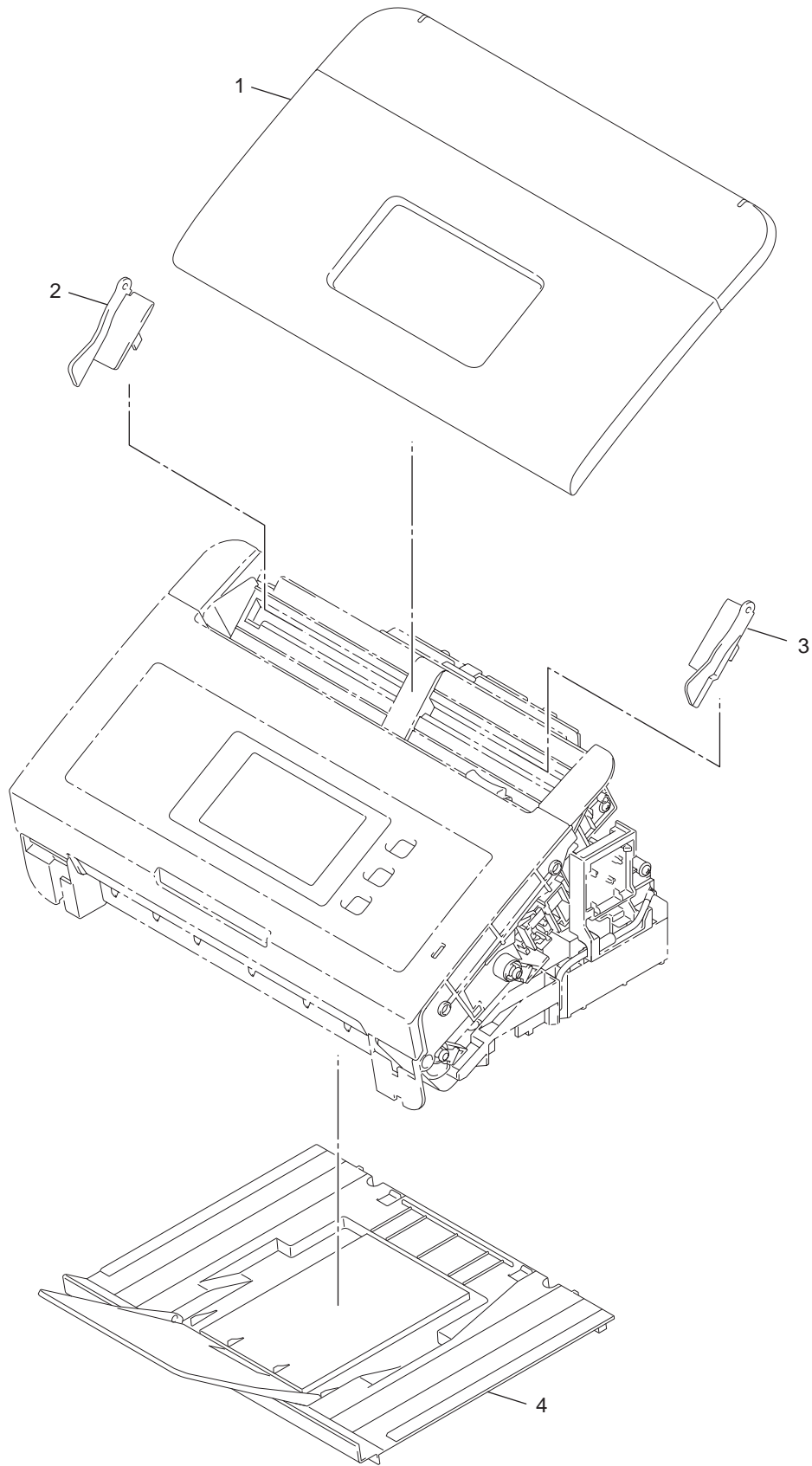
1. SCANNER



1.SCANNER

| REF No. | CODE | Q'TY | DESCRIPTION | MODEL | SPEC | REMARKS |
|---------|-----------|------|--|-------|------|---------|
| 1 | LD6050001 | 1 | MAIN MOTOR | | | |
| 2 | 0A4300606 | 1 | SCREW PAN (S/P WASHER) M3X6 | | | |
| 3 | LU5694001 | 3 | TAPTITE BIND B M3X10 | | | |
| 4 | LD6056001 | 1 | ONE WAY CLUTCH | | | |
| 5 | LD6187001 | 1 | PICK-UP ROLLER ASSY | | | |
| 6 | LD6065001 | 1 | PICK-UP ROLLER COVER ASSY | | | |
| 7 | LD1140001 | 1 | FIRST SIDE CIS UNIT | | | CHG |
| 8 | LD6082001 | 1 | FRONT COVER SENSOR | | | |
| 9 | LD6092001 | 1 | SEPARATION PAD ASSY | | | |
| 10 | LD6098001 | 1 | SEPARATION SPRING | | | |
| 11 | LD6099001 | 1 | SEPARATION ARM | | | |
| 12 | LD6106001 | 1 | DOCUMENT DETECTION ACTUATOR | | | |
| 13 | LD6107001 | 1 | DOCUMENT DETECTION ACTUATOR SPRING | | | |
| 14 | LD6108001 | 1 | DOCUMENT SCANNING POSITION ACTUATOR | | | |
| 15 | LD6109001 | 1 | DOCUMENT SCANNING POSITION ACTUATOR SPRING | | | |
| 16 | LG6753001 | 1 | DOCUMENT DETECTION SENSOR PCB | | | |
| 17 | LG6753001 | 1 | DOCUMENT SCANNING POSITION SENSOR PCB | | | |
| 18 | LD1141001 | 1 | SECOND SIDE CIS UNIT | | | CHG |
| 19 | LD6125001 | 1 | CIS SPRING | | | |
| 20 | LD6284001 | 1 | SEPARATION PAD COVER (SP) | | | |
| 21 | LD6084001 | 1 | DOUBLE FEEDING SENSOR PCB ASSY (RECEIVE) | | | |
| 22 | LD6110001 | 1 | DOUBLE FEEDING SENSOR (SEND) | | | |

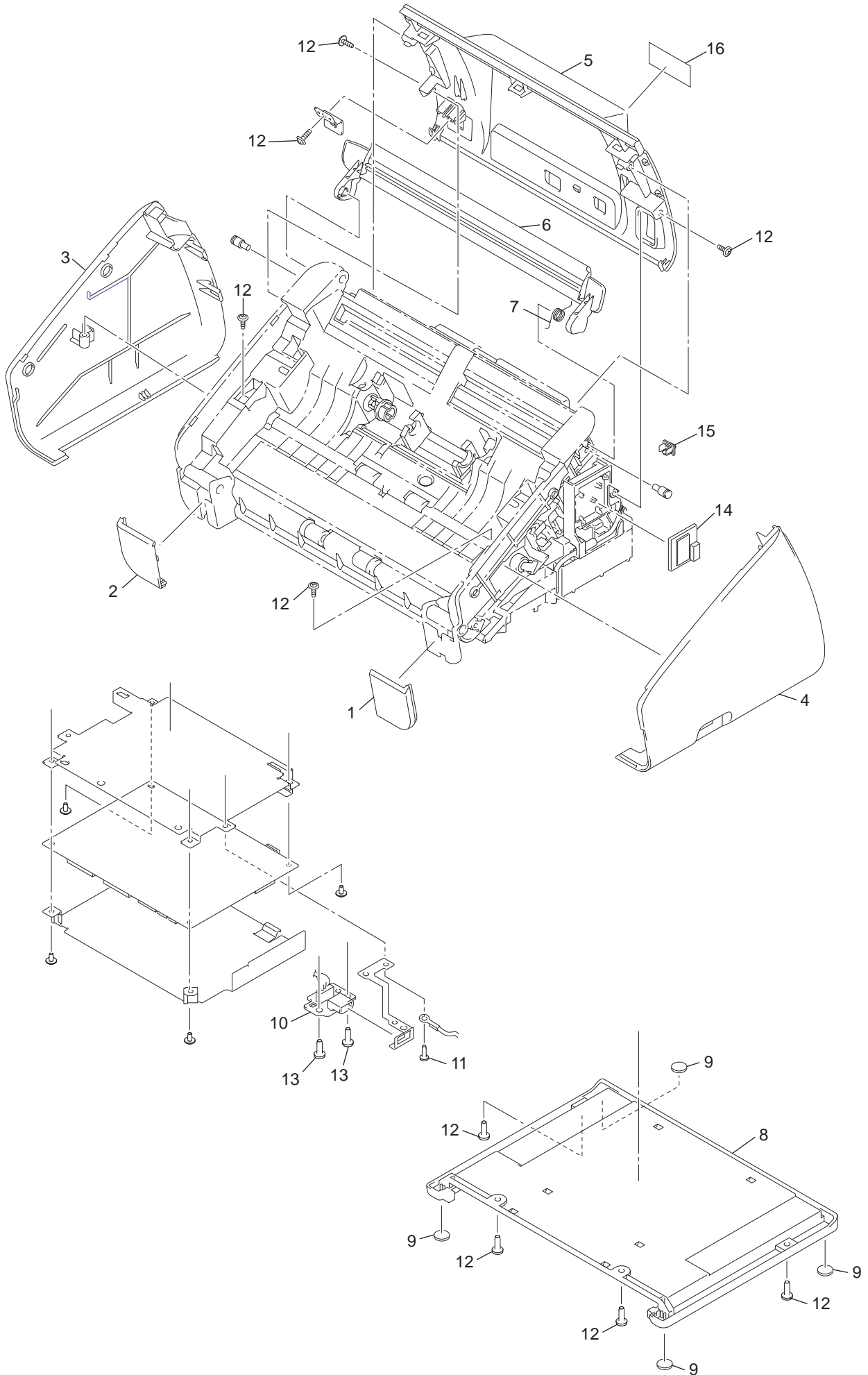
2.PAPER TRAY



2.PAPER TRAY

| REF No. | CODE | Q'TY | DESCRIPTION | MODEL | SPEC | REMARKS |
|---------|-----------|------|-------------------|-------|------|---------|
| 1 | LD6217001 | 1 | TOP COVER ASSY | | | |
| 2 | LD6011001 | 1 | DOCUMENT GUIDE LS | | | |
| 3 | LD6012001 | 1 | DOCUMENT GUIDE RS | | | |
| 4 | LD6014001 | 1 | OUTPUT TRAY ASSY | | | |

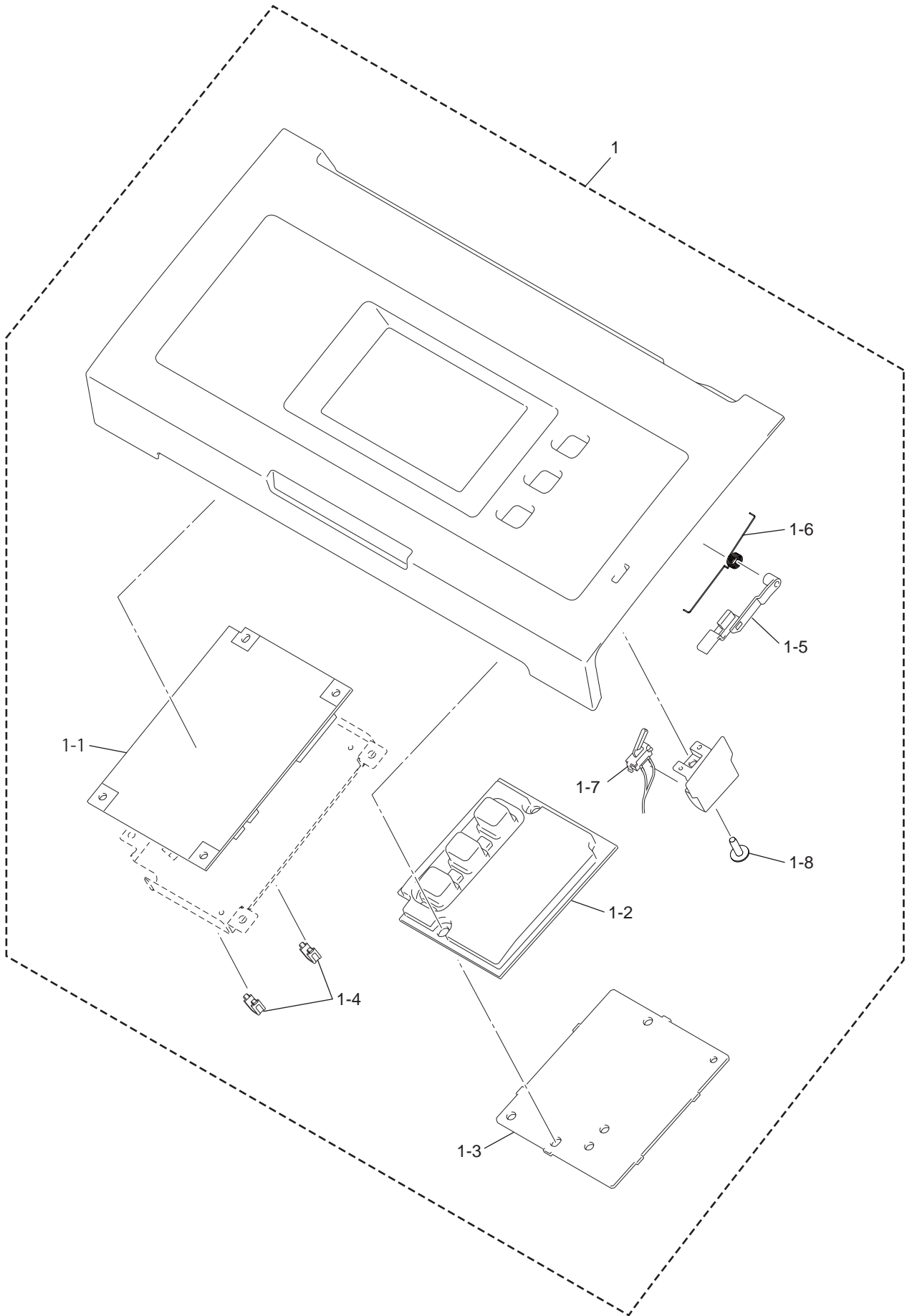
3.COVER



3.COVER

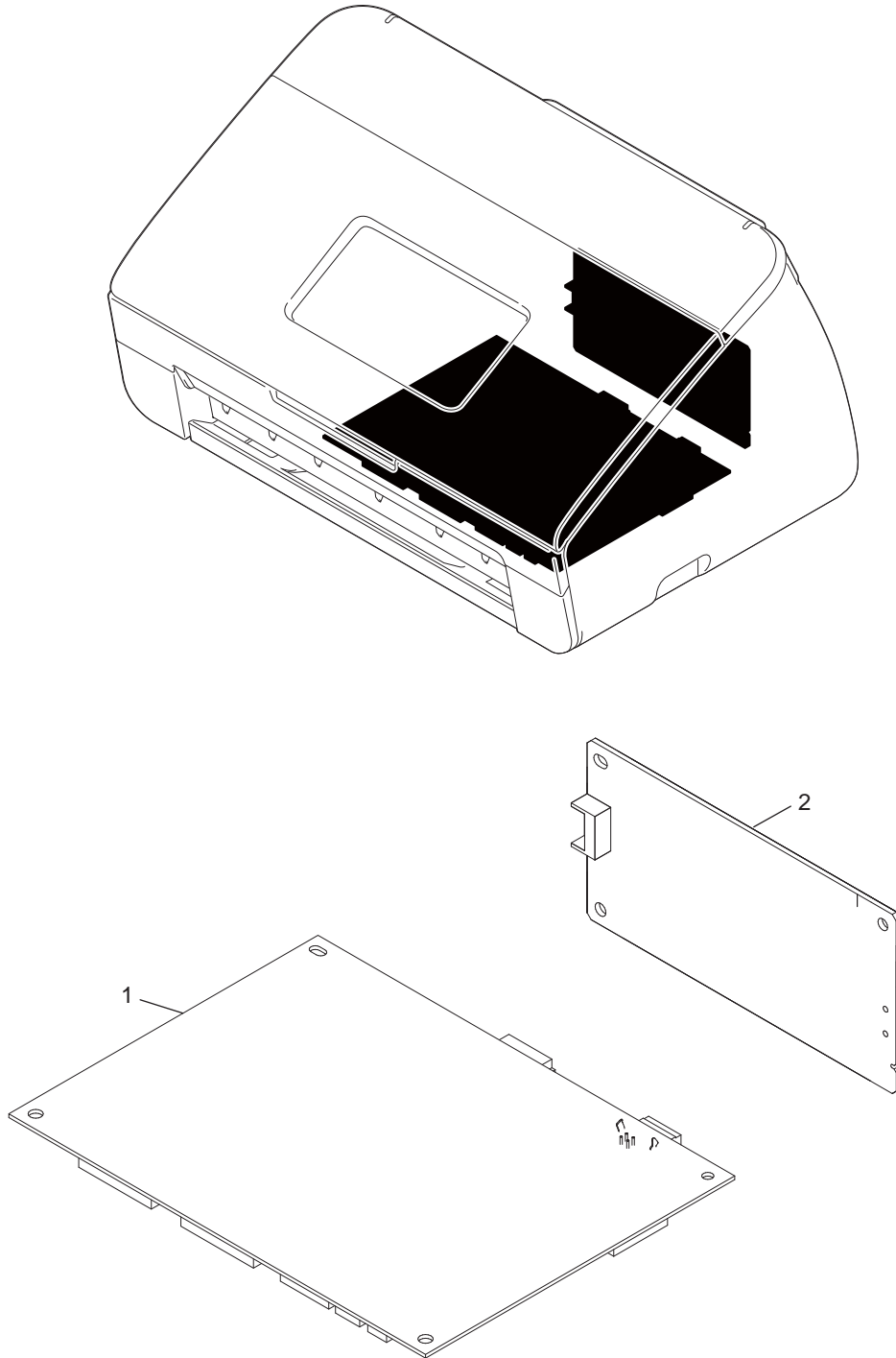
| REF No. | CODE | Q'TY | DESCRIPTION | MODEL | SPEC | REMARKS |
|---------|-----------|------|------------------------|-----------|---------|---------|
| 1 | LD6017001 | 1 | FRONT COVER R | | | |
| 2 | LD6018001 | 1 | FRONT COVER L | | | |
| 3 | LD6019002 | 1 | SIDE COVER L | | | |
| 4 | LD6171002 | 1 | SIDE COVER R | | | |
| 5 | LD6200002 | 1 | BACK COVER | | | |
| 6 | LD6022002 | 1 | BACK COVER S | | | |
| 7 | LD6023001 | 1 | BACK COVER S SPRING | | | |
| 8 | LD6025002 | 1 | BOTTOM COVER | | | |
| 9 | LP1763001 | 4 | RUBBER FOOT | | | |
| 10 | LV0531001 | 1 | USB HOST PCB ASSY | | | |
| 11 | LU5694001 | 1 | TAPTITE BIND B M3X10 | | | |
| 12 | LU5830001 | 9 | TAPTITE CUP B M3X10 | | | |
| 13 | 085411216 | 2 | TAPTITE BIND B M4X12 | | | |
| 14 | LT2155001 | 1 | WIRELESS LAN PCB ASSY | | | |
| 15 | LD6455001 | 1 | LAN PORT CAP | | | |
| 16 | LS8694001 | 1 | HOT LINE LABEL | ADS-2500W | FOR BRZ | |
| 16 | LJ4541001 | 1 | WARNING LABEL NORDIC 2 | ADS-2600W | FOR SWI | |
| 16 | UH3297001 | 1 | WARNING LABEL BRZ | ADS-2600W | FOR OCE | |
| 16 | LU1364001 | 1 | C-TICK MARK | ADS-2600W | FOR PND | |

4.PANEL



4.PANEL

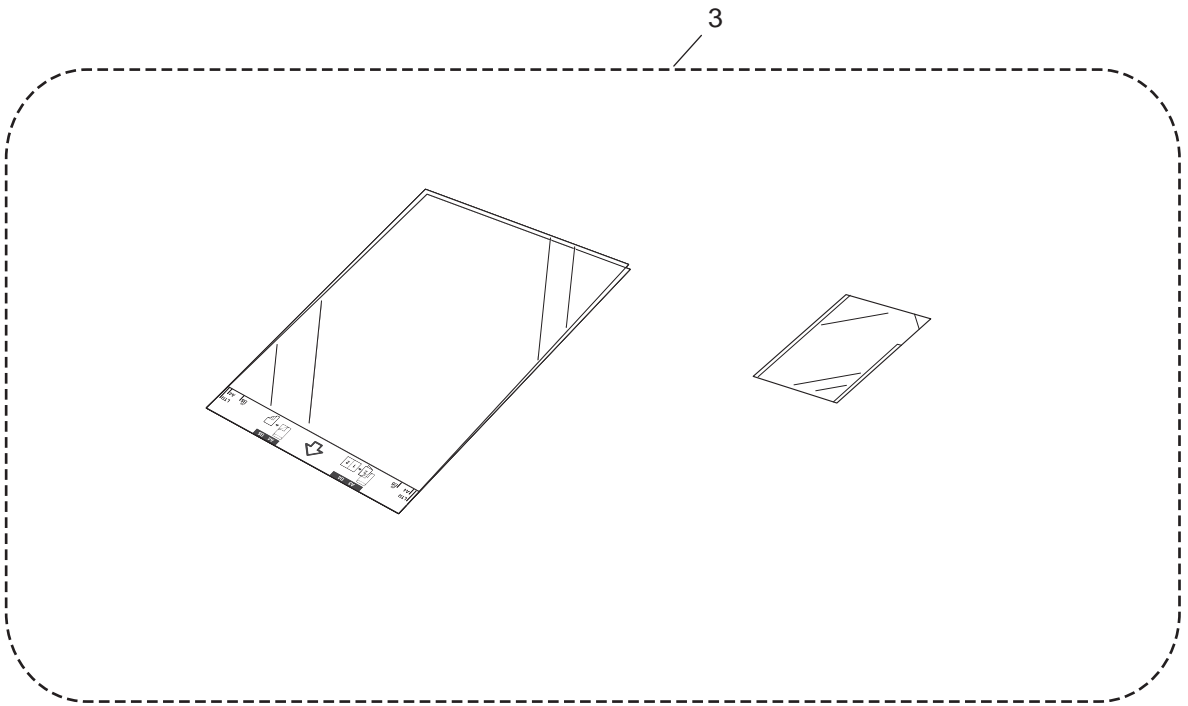
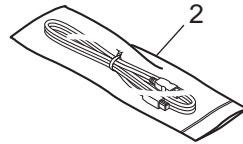
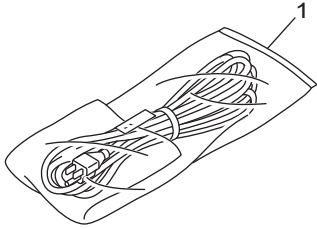
| REF No. | CODE | Q'TY | DESCRIPTION | MODEL | SPEC | REMARKS |
|---------|-----------|------|---------------------------|-----------|--|---------|
| 1 | LD6490001 | 1 | PANEL ASSY | ADS-2500W | | |
| 1 | LD6491001 | 1 | PANEL ASSY | ADS-2600W | | |
| 1-1 | LD6242001 | 1 | PANEL PCB ASSY | ADS-2500W | | |
| 1-1 | LD6242001 | 1 | PANEL PCB ASSY | ADS-2600W | FOR GER/UK/SWI/SAF/ASA/GUL/ KOR/RUS/OCE/PND/CEE | |
| 1-1 | LD6242003 | 1 | PANEL PCB ASSY | ADS-2600W | FOR CHN | |
| 1-2 | LD6227001 | 1 | RUBBER KEY | | | |
| 1-3 | LD6244001 | 1 | KEY PCB ASSY | | | |
| 1-4 | LD6288001 | 2 | PANEL HARNESS HOLDER | | | |
| 1-5 | LD6037001 | 1 | TOP COVER ACTUATOR | | | |
| 1-6 | LD6038001 | 1 | TOP COVER ACTUATOR SPRING | | | |
| 1-7 | LD6161001 | 1 | TOP COVER SENSOR | | | |
| 1-8 | LU5694001 | 1 | TAPTITE BIND B M3X10 | | | |



5.MAIN PCB

| REF No. | CODE | Q'TY | DESCRIPTION | MODEL | SPEC | REMARKS |
|---------|-----------|------|-----------------------|-----------|--|---------|
| 1 | LD6224001 | 1 | MAIN PCB ASSY | ADS-2500W | | |
| 1 | LD6224001 | 1 | MAIN PCB ASSY | ADS-2600W | FOR GER/UK/SWI/SAF/ASA/GUL/ KOR/RUS/OCE/PND/CEE | |
| 1 | LD6224003 | 1 | MAIN PCB ASSY | ADS-2600W | FOR CHN | |
| 2 | LD6131001 | 1 | POWER SUPPLY PCB ASSY | ADS-2500W | FOR US/CAN/BRZ | |
| 2 | LD6143001 | 1 | POWER SUPPLY PCB ASSY | ADS-2500W | FOR ARG | |
| 2 | LD6261001 | 1 | POWER SUPPLY PCB ASSY | ADS-2600W | FOR CHN | |
| 2 | LD6143001 | 1 | POWER SUPPLY PCB ASSY | ADS-2600W | FOR GER/UK/SWI/SAF/ASA/GUL/ KOR/RUS/OCE/PND/CEE | |

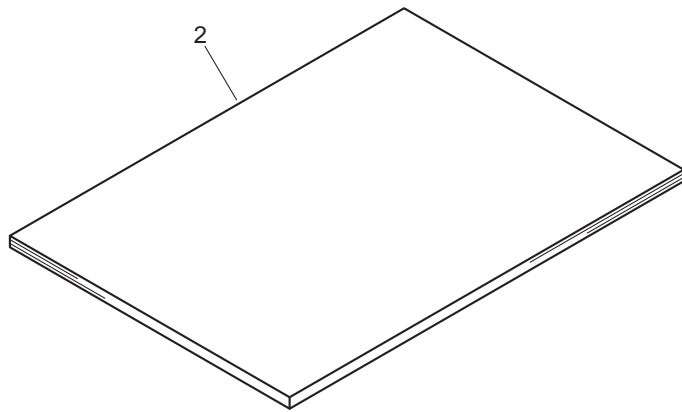
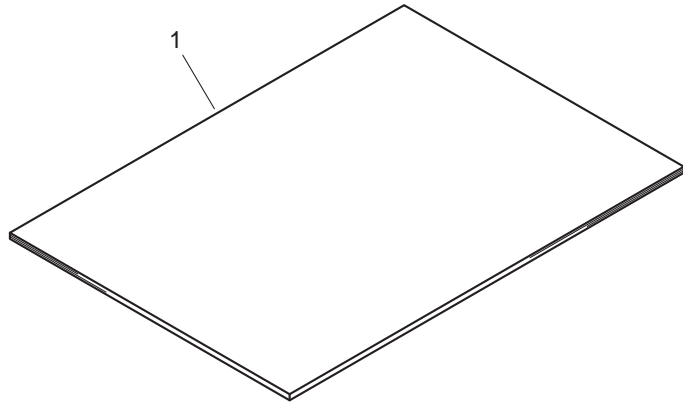
6.OPTION



6.OPTION

| REF No. | CODE | Q'TY | DESCRIPTION | MODEL | SPEC | REMARKS |
|---------|----------------------|------|--------------------------------------|----------------------|--|---------|
| 1 | LG4400001 | 1 | AC CORD BAG ASSY LF UL/CSA | ADS-2500W | FOR US/CAN | |
| 1 | LT0921001 | 1 | AC CORD BAG ASSY LF ARG IRAM | ADS-2500W | FOR ARG | |
| 1 | LT2346001 | 1 | AC CORD BAG ASSY LF BRZ | ADS-2500W | FOR BRZ | |
| 1 | LG6426001 | 1 | AC CORD BAG ASSY LF CHILE | ADS-2500W | FOR ARG | |
| 1 | LG5717001 | 1 | AC CORD BAG ASSY LF VDE | ADS-2600W | FOR GER/ASA/GUL/RUS/PND/CEE | |
| 4 | LG5736001 | 4 | AC CORD BAG ASSY LF DEMKO | ADS-2600W | FOR PND | DEL |
| 1 | LG5692001 | 1 | AC CORD BAG ASSY LF UK | ADS-2600W | FOR UK/ASA/GUL | |
| 1 | LT2260001 | 1 | AC CORD BAG ASSY LF SEV | ADS-2600W | FOR SWI | |
| 1 | LT1404001 | 1 | AC CORD BAG ASSY LF CCC 60227 | ADS-2600W | FOR CHN | |
| 1 | LG6404001 | 1 | AC CORD BAG ASSY LF SAF | ADS-2600W | FOR SAF | |
| 1 | LT0935001 | 1 | AC CORD BAG ASSY LF KOR S | ADS-2600W | FOR KOR | CHG |
| 1 | LG5734001 | 1 | AC CORD BAG ASSY LF SAA | ADS-2600W | FOR OCE | |
| 1 | LG7005001 | 1 | AC CORD BAG ASSY LF ISRAEL | ADS-2600W | FOR CEE | |
| 2 | LJ9803001 | 1 | USB CABLE 2.0 | ADS-2500W | | |
| 2 | LJ9803001 | 1 | USB CABLE 2.0 | ADS-2600W | FOR GER/UK/SWI/CHN/SAF/ASA/ GUL/RUS/OCE/PND/CEE | |
| 2 | LV1518001 | 1 | USB CABLE 2.0 KOR | ADS-2600W | FOR KOR | add |
| 3 | LD1793001 | 1 | CARRIER SHEET ASSY | | | chg |
| 4 | LD6480001 | 4 | CDROM ASSY | ADS-2500W | FOR US | del |
| 4 | LD6532001 | 1 | DVDROM LABEL ASSY | ADS-2500W | | chg |
| 4 | LD6270001 | 1 | DVDROM LABEL ASSY | ADS-2600W | FOR CHN | |
| 4 | LD6953001 | 1 | DVDROM LABEL ASSY | ADS-2600W | FOR KOR | |
| 4 | LD6532001 | 1 | DVDROM LABEL ASSY | ADS-2600W | FOR GER/UK/SWI/SAF/ASA/GUL/ RUS/OCE/PND/CEE | |
| 5 | LD6943001 | 1 | DVDROM FRENCH SHEET | ADS-2500W | FOR CAN | |

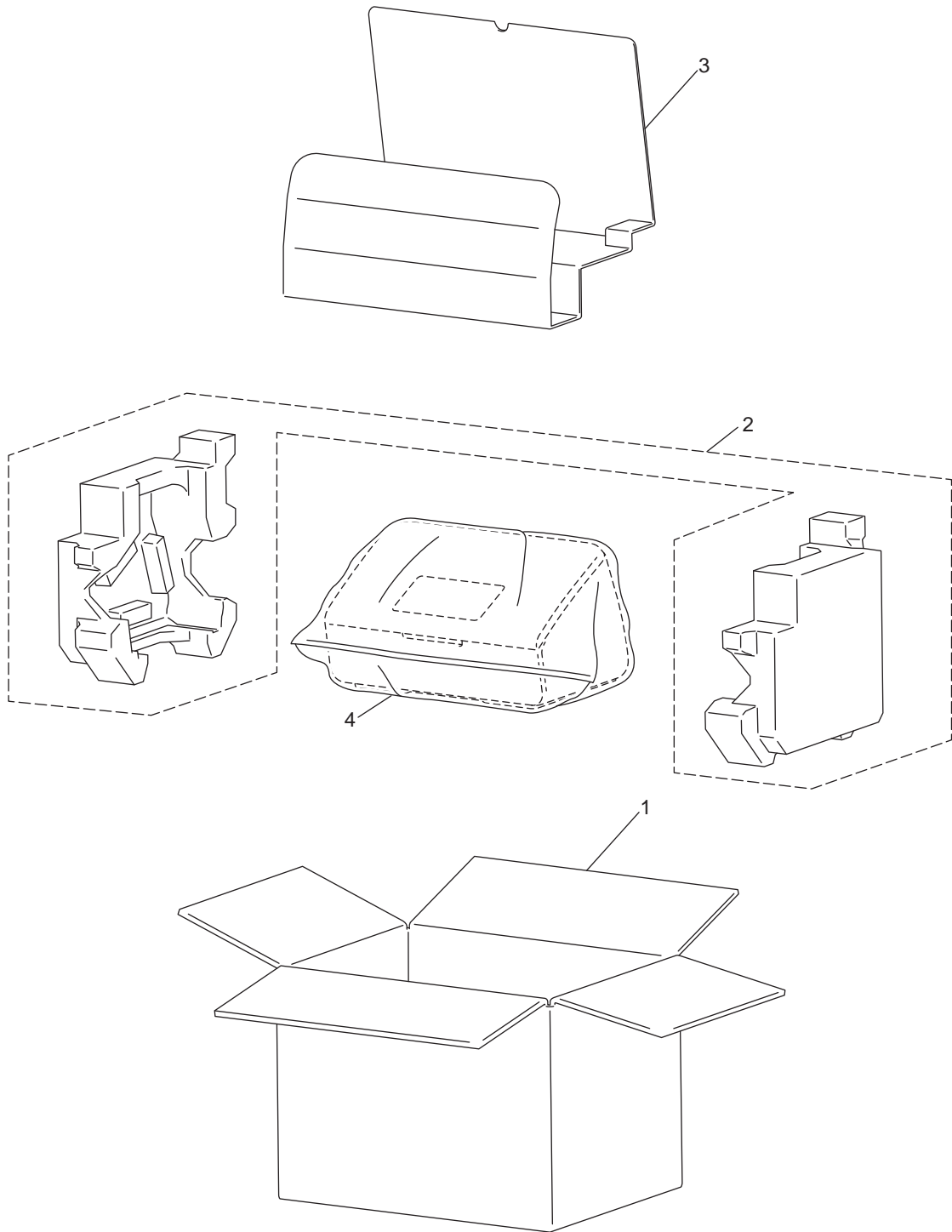
7.PRINTING MATTER



7.PRINTING MATTER

| REF No. | CODE | Q'TY | DESCRIPTION | MODEL | SPEC | REMARKS |
|---------|-----------|------|---|-----------|---------------------|---------|
| 1 | LD6485001 | 1 | QUICK SETUP GUIDE 2500W | ADS-2500W | | |
| 1 | LD6502020 | 1 | QUICK SETUP GUIDE 2600W | ADS-2600W | FOR CHN | |
| 1 | LD6502003 | 1 | QUICK SETUP GUIDE 2600W<GERMANY> | ADS-2600W | FOR GER/SWI | |
| 1 | LD6502004 | 1 | QUICK SETUP GUIDE 2600W | ADS-2600W | FOR UK | |
| 1 | LD6502040 | 1 | QUICK SETUP GUIDE 2600W | ADS-2600W | FOR SAF/ASA/GUL/OCE | |
| 1 | LD6502044 | 1 | QUICK SETUP GUIDE 2600W | ADS-2600W | FOR KOR | |
| 1 | LD6502048 | 1 | QUICK SETUP GUIDE 2600W | ADS-2600W | FOR RUS | |
| 1 | LD6502057 | 1 | QUICK SETUP GUIDE 2600W | ADS-2600W | FOR PND | |
| 1 | LD6502078 | 1 | QUICK SETUP GUIDE 2600W <BULGARIAN/ROMAN/SLOVAK> | ADS-2600W | FOR CEE | |
| 1 | LD6502009 | 1 | QUICK SETUP GUIDE 2600W<DUTCH> | ADS-2600W | FOR GER | |
| 1 | LD6502079 | 1 | QUICK SETUP GUIDE 2600W <ENGLISH/POLISH/CZECH/HUNGARIAN> | ADS-2600W | FOR CEE | |
| 2 | LD1046001 | 1 | USER'S GUIDE ADS CHN | ADS-2600W | FOR CHN | ADD |

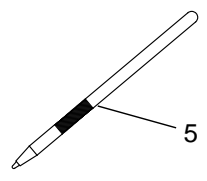
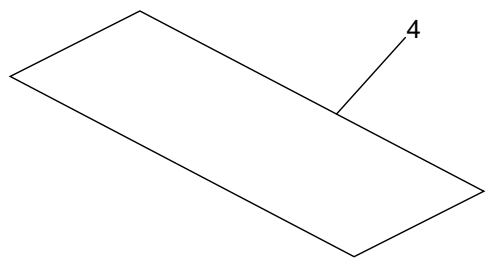
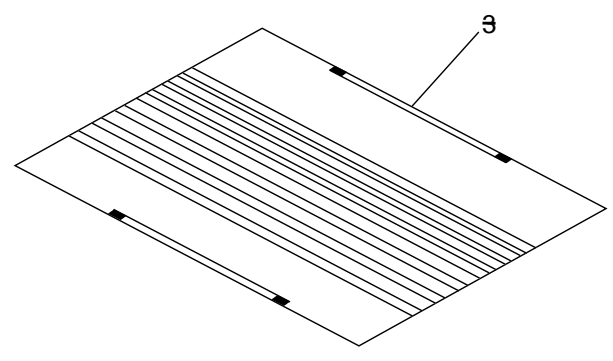
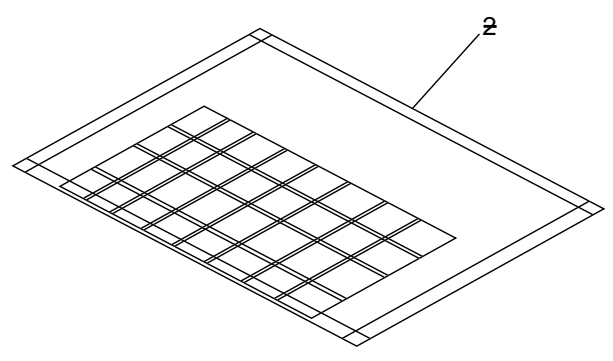
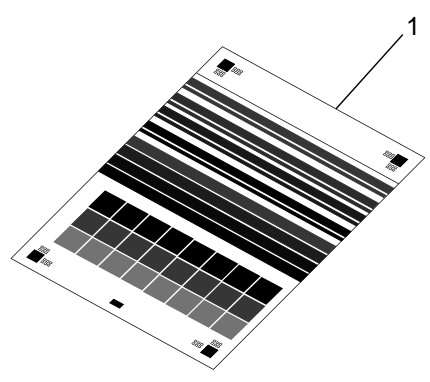
8.PACKING



8.PACKING

| REF No. | CODE | Q'TY | DESCRIPTION | MODEL | SPEC | REMARKS |
|---------|-----------|------|----------------------|-----------|----------------------------|---------|
| 1 | LD6927001 | 1 | CARTON BROTHER | ADS-2500W | FOR US | chg |
| 1 | LD6928001 | 1 | CARTON BROTHER | ADS-2500W | FOR CAN | |
| 1 | LD6509001 | 1 | CARTON BROTHER | ADS-2500W | FOR ARG | |
| 1 | LD6944001 | 1 | CARTON BROTHER | ADS-2500W | FOR BRZ | |
| 1 | LD0791001 | 1 | CARTON BROTHER | ADS-2600W | FOR GER/UK/SWI/RUS/PND/CEE | chg |
| 1 | LD0974001 | 1 | CARTON BROTHER | ADS-2600W | FOR CHN | |
| 1 | LD0798001 | 1 | CARTON BROTHER | ADS-2600W | FOR SAF/GUL/OCE | chg |
| 1 | LD0799001 | 1 | CARTON BROTHER | ADS-2600W | FOR ASA | chg |
| 1 | LD0800001 | 1 | CARTON BROTHER | ADS-2600W | FOR KOR | chg |
| 2 | LD1648001 | 1 | POLYSTYRENE PAD ASSY | | | CHG |
| 3 | LD6215001 | 1 | ACCESSORY PAD | | | |
| 4 | LD1634001 | 1 | BAG 480X450H | | | CHG |

9.OTHERS



9.OTHERS

| REF No. | CODE | Q'TY | DESCRIPTION | MODEL | SPEC | REMARKS |
|---------|----------------------|------|---|-------|------|---------|
| 1 | LD1625001 | 1 | TEST CHART DS-001 | | | CHG |
| 2 | UF9258004 | 4 | COLOR TEST CHART CTC-004 | | | DEL |
| 3 | UF4600004 | 4 | CONTRAST CHART TC-023 | | | DEL |
| 4 | LD6340001 | 1 | SHEET FOR DOUBLE FEEDING SENSOR THRESHOLD SETTING | | | |
| 5 | XA9940051 | 1 | STYLUS | | | |