

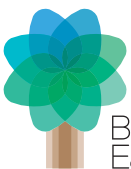
# INDUSTRIAL SEWING MACHINES

General Catalog of Industrial Sewing Machines

2011.3 vol.3



- Lock Stitch Sewing Machine
- Zigzag Lock Stitch Sewing Machine
- Twin Needle Lock Stitch Sewing Machine
- Twin Needle Split Needle Bar Lock Stitch Sewing Machine
- Buttonhole Sewing Machine
- Button Attaching Machine
- Bar Tacking Machine / Pattern Tacking Machine
- Programmable Electronic Pattern Sewing Machine
- Double Chain Stitch Sewing Machine
- Blind Stitch Sewing Machine



Brother  
Earth

Working with you for a better environment

[www.brotherearth.com](http://www.brotherearth.com)

Catalogs of each model are available. Please find our office to inquire on outside back cover.  
Visit our official site <http://www.brother.com/> for further information.

# Environmental & Advanced TECHNOLOGY

*A Century of Innovation. A Brilliant Future.*



3

## Energy efficient sewing machines

We offer our sewing machines with low power consumption and running cost, employing compact motors developed in-house to best fit the machine heads.

## Sewing machines with clean sewing

Brother was the first to succeed in eliminating lubrication to the needle bar and thread take-up by applying special surface treatment to the sliding portions. Clean sewing without oil staining has been realized.

## Sewing machines with less noise

Taking particular care to the vibration, noise quality, and quietness in machine operation, we produce a comfortable working environment for operators.

## Sewing machines with attractive stitches

High sewing quality is achieved with good stitch texture produced by the optimally designed feed, needle bar, and thread take-up mechanisms, and with servo-controlled accurate stitching.

Pictographic indications



Lock stitch



Chain stitch



Double chain stitch



Button sewing



Button holing



Button holing



Overedge stitch



Safety stitch



1-needle



2-needle



Brother has contributed to our customers' business development with our sewing machines and services leading the industry, since its establishment as the "Yasui Sewing Machine Co." in 1908. We have continually produced innovative sewing machines, including the world's first direct-drive sewing machine (in 1993), the electronic eyelet buttonhole sewing machine (in 1994), and the electronic bar tacking machine (in 1995). We also established our original dry head technology (in 2003) to offer clean, neat sewing with high productivity. We are proud of our 100-year history, our creativity making the customers' dreams reality, and our global views. With all of these advantages, our customers appreciate the industrial sewing machines we offer and consider Brother as the best for their production needs.

## Providing solutions that customers truly appreciate

### 1 PRODUCTIVITY

The machines acceleration from the start, sewing speed, and ease of operation, enhance the overall productivity in all aspects of machine operation.

### 2 SEWING QUALITY

We provide high sewing quality with good stitch texture and a clean, neat finish.

### COST PERFORMANCE

We contribute to the customers' profitability by providing energy saving products with high cost performance.

#### Sewing machines with operational ease

"The arm pocket is large enough, making material handling easy." "The machine is easy to see needle penetration." "The settings for sewing are easy." We have been receiving these favorable remarks from our customers. We have adopted designs based on the current human engineering to many parts of our sewing machines.

#### Reliable quality

In accordance with the ISO 9001 quality management system and under our strict control, we provide top-quality industrial sewing machines in the industry.

#### Dependable service & support system

We have a dependable support system close to our customers to assure satisfactory operation of the machines.

#### Proactive development of environment-conscious products

Brother is making an effort to eliminate the six substances restricted by the RoHS Directive. We also operate the "Brother Green Label" system with which we set standards for our environment-conscious products and certify the products in conformity with the standards.



Drop feed



Needle feed



Adjustable top and bottom feed



Double horizontal hook (vertical axis)



Triple horizontal hook (vertical axis)



Light-weight materials



Medium-weight materials



Heavy-weight materials



Extra heavy-weight materials



Thread trimmer



Direct Drive

# ● Lock Stitch Sewing Machine



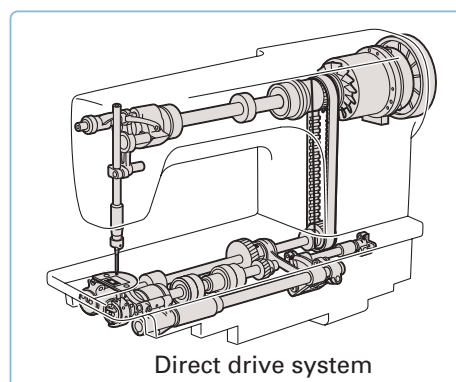
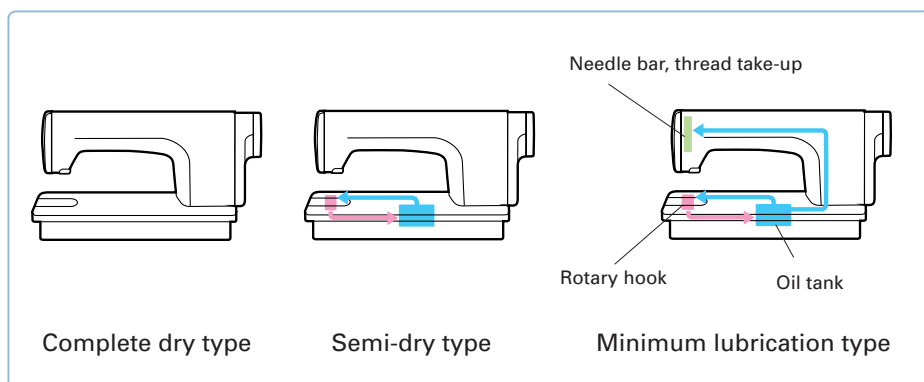
## Single Needle Direct Drive Straight Lock Stitcher with Thread Trimmer

### S-7200C

- Clean sewing with no oil staining.
- Smooth sewing with direct drive system.
- Energy-saving model.

Complete dry / semi-dry / minimum lubrication type  
For light materials and difficult-to-sew materials / medium materials / heavy materials

Max. sewing speed: 4,000-5,000 sti/min  
Max. stitch length: 4.2-5 mm  
Height of presser foot: 6-16 mm



## Single Needle Direct Drive Needle Feed Lock Stitcher with Thread Trimmer

### S-7220B

- The needle feed mechanism prevents uneven material feeding.
- Clean sewing with no oil staining.
- Smooth sewing with direct drive system.
- Energy-saving model.

Semi-dry / minimum lubrication type  
For medium materials / heavy materials  
Max. sewing speed: 4,000-5,000 sti/min  
Max. stitch length: 4.5-5.5 mm  
Height of presser foot: 6-16 mm



## High Speed Single Needle Straight Lock Stitcher

### SL-1110

- Stable sewing with low thread tension.
- Preventing staining with oil from the needle bar and thread take-up area.

For light materials / medium materials / heavy materials  
Max. sewing speed: 4,000-5,000 sti/min  
Max. stitch length: 4.2-5 mm  
Height of presser foot: 6-13 mm



## Single Needle Straight Lock Stitcher with Side Cutter

### SL-777B

- The side cutter cuts the material end while sewing.
- Suitable for plain stitching and hem stitching of collars and flaps.

For medium materials  
Max. sewing speed: 4,500 sti/min  
Max. stitch length: 4 mm  
Height of presser foot: 6-13 mm  
Cutting width: 2.5 mm, 3.2 mm, 4.0 mm, 4.8 mm, 6.4 mm, 9.5 mm



## ● Lock Stitch Sewing Machine



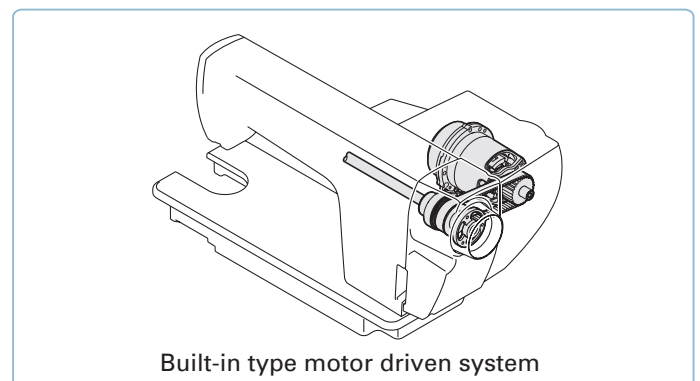
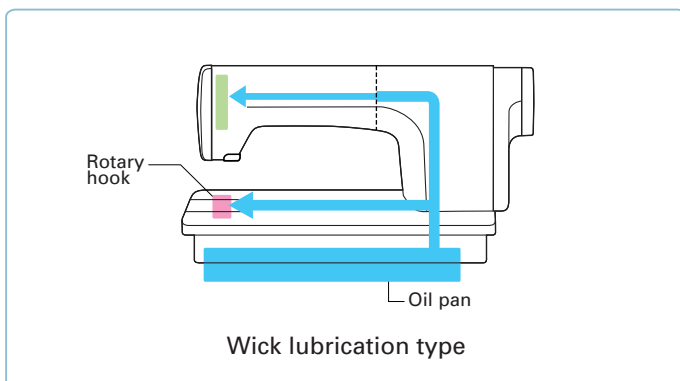
Single Needle Straight Lock Stitcher with Thread Trimmer

### S-6200A



- High energy saving.
- Exceptional responsiveness for comfortable sewing.
- A downsized and flat control box providing a much larger leg space to be utilized.

For medium materials / heavy materials  
 Max. sewing speed: 4,000-5,000 sti/min  
 Max. stitch length: 4.2-5 mm



## ● Zigzag Lock Stitch Sewing Machine



Electronic Direct Drive Zigzag Lock Stitcher

### Z-8550A

DD

- Clean sewing with no oil staining.
- Energy-saving model.
- Wide-variety pattern sewing is available.



Max. sewing speed: 5,000 sti/min  
 Max. zigzag width: 10 mm  
 Max. feed amount: 5 mm

Electronic Direct Drive Zigzag Lock Stitcher with Thread Trimmer

### Z-8560A

DD



- The compact knife mechanism in a single unit enables simple maintenance.
- Clean sewing with no oil staining.
- Energy-saving model.
- Wide-variety pattern sewing is available.



Max. sewing speed: 5,000 sti/min  
 Max. zigzag width: 10 mm  
 Max. feed amount: 5 mm

# ● Twin Needle Lock Stitch Sewing Machine



## Twin Needle Direct Drive Lock Stitcher

### T-8421C

- Direct drive / no thread trimmer type.  
The most suitable model for sewing of foundation garments.
- Clean sewing with no oil staining.

Semi-dry / minimum lubrication type  
For foundation / light and medium materials / heavy materials  
Max. sewing speed: 3,000-4,000 sti/min  
Max. stitch length: 4 mm

Height of presser foot: 7 mm  
Needle feed / bottom feed equipped as standard  
Quick back device equipped as standard

DD



## Twin Needle Direct Drive Lock Stitcher with Thread Trimmer

### T-8422C

DD ✂

- Stable thread trimmer operation enables high productivity.
- Clean sewing with no oil staining.

Semi-dry / minimum lubrication type  
For light and medium materials/heavy materials/heavy materials(for extra thick thread)  
Max. sewing speed: 3,000-4,000 sti/min  
Max. stitch length: 4-5 mm  
Height of presser foot: 7 mm  
Needle feed / bottom feed equipped as standard  
Quick back device & thread wiper equipped as standard



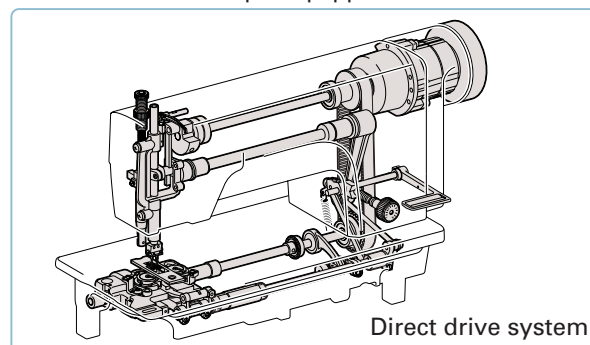
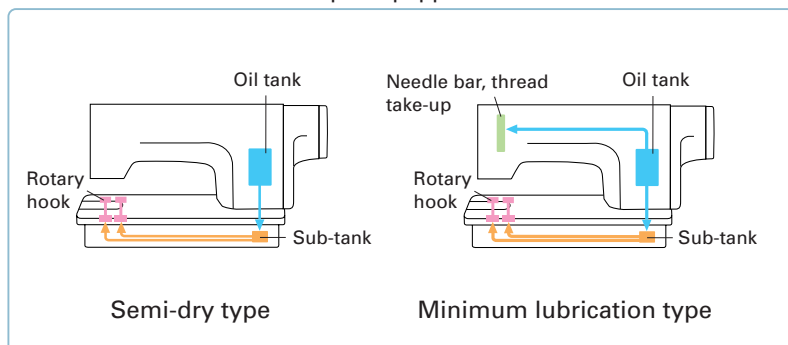
## Twin Needle Direct Drive Lock Stitcher with Large Hook and Thread Trimmer

### T-8722C

DD ✂

- Stable thread trimmer operation and large hook provide high productivity.
- Clean sewing with no oil staining

Minimum lubrication type  
For light and medium materials/heavy materials/heavy materials(for extra thick thread)  
Max. sewing speed: 3,000 sti/min  
Max. stitch length: 7 mm  
Height of presser foot: 7 mm  
Needle feed / bottom feed equipped as standard  
Quick back device & thread wiper equipped as standard



## Twin Needle Lock Stitcher

### T-8420C

- High position of arm jaw and large arm pocket make handling material easier.
- Easy to replace gauge parts.

Semi-dry / minimum lubrication type  
For foundation / light and medium materials / heavy materials  
Max. sewing speed: 3,000-4,000 sti/min  
Max. stitch length: 4-5 mm  
Height of presser foot: 7 mm  
Needle feed / bottom feed equipped as standard



## Twin Needle Lock Stitcher with Large Hook

### T-8720C

- High position of arm jaw and large arm pocket make handling material easier.
- Easy to replace gauge parts.

Minimum lubrication type  
For heavy materials  
Max. sewing speed: 3,000 sti/min  
Max. stitch length: 7 mm  
Height of presser foot: 7 mm  
Needle feed / bottom feed equipped as standard



# ● Twin Needle Split Needle Bar Lock Stitch Sewing Machine



## Twin Needle Direct Drive Split Needle Bar Lock Stitcher with Thread Trimmer

### T-8452C



- Stable thread trimmer operation enables high productivity.
- Clean sewing with no oil staining.



Minimum lubrication type

For light and medium materials/heavy materials/  
heavy materials(for extra thick thread)

Max. sewing speed: 3,000 sti/min

Max. stitch length: 5 mm

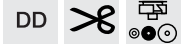
Height of presser foot: 7 mm

Needle feed / bottom feed equipped as standard

Quick back device & thread wiper equipped as standard

## Twin Needle Direct Drive Split Needle Bar Lock Stitcher with Large Hook and Thread Trimmer

### T-8752C



- Stable thread trimmer operation and large hook provide high productivity.
- Clean sewing with no oil staining.



Minimum lubrication type

For light and medium materials/heavy materials/  
heavy materials(for extra thick thread)

Max. sewing speed: 3,000 sti/min

Max. stitch length: 7 mm

Height of presser foot: 7 mm

Needle feed / bottom feed equipped as standard

Quick back device & thread wiper equipped as standard

## Twin Needle Split Needle Bar Lock Stitcher

### T-8450C

- High position of arm jaw and large arm pocket make handling material easier.
- Easy to replace gauge parts.



Minimum lubrication type

For light and medium materials / heavy materials

Max. sewing speed: 3,000 sti/min

Max. stitch length: 5 mm

Height of presser foot: 7 mm

Needle feed / bottom feed equipped as standard

## Twin Needle Split Needle Bar Lock Stitcher with Large Hook

### T-8750C



- High position of arm jaw and large arm pocket make handling material easier.
- Easy to replace gauge parts.



Minimum lubrication type

For heavy materials

Max. sewing speed: 3,000 sti/min

Max. stitch length: 7 mm

Height of presser foot: 7 mm

Needle feed / bottom feed equipped as standard

## ● Buttonhole Sewing Machine



HE-800A

### Electronic Lockstitch Button Holer

## HE-800A



- 21 built-in sewing patterns. Original pattern sewing also supported.
- Presser foot height can be set as desired. It enables positioning of material easy and accurate.
- Quick and accurate cutting driven by a double position solenoid.

For woven articles / knitted articles

Cutter length: 4-32 mm

Max. sewing width: 6 mm

Max. button hole length: 40 mm

Height of presser foot: 13 mm

Max. sewing speed: 4,000 sti/min

Thread trimmer equipped as standard



RH-9820

### Electronic Eyelet Button Holer

## RH-9820



- Fine finishing of button holes.
- Max. sewing speed 2,500 sti/min improves productivity.
- Large arm pocket allowing smooth material handling.
- Easy-to-use operation panel.

Stitch pitch: 0.5-2.0 mm

Zigzag width: 1.5-5.0 mm

Height of work clamp: 12-16 mm

Sewing length: 5-50 mm

Taper bartack length: 0-20 mm

Max. sewing speed: 2,500 sti/min

Upper thread trimmer equipped as standard



## ● Button Attaching Machine



BE-438F

### Electronic Direct Drive Lockstitch Button Sewer

## BE-438F



- Attractive sewing accurate to the sewing data.
- Low power consumption.
- Low noise and low vibration.
- Clean Sewing.

Max. sewing area (X-Y): 6.4 X 6.4 mm

Stitch length: 0.05-6.4mm

Button clamp height: 13 mm

Number of stored data: 64 sewing patterns as standard

Button size: 8-30 mm outer diameter

Max. sewing speed: 2,700 sti/min

Digital tension, thread trimmer and thread wiper equipped as standard





## ● Bar Tacking Machine



KE-430F

### Electronic Direct Drive Lockstitch Bar Tacker

## KE-430F

DD

- High productivity with maximum sewing speed, 3,200 sti/min.
- Attractive sewing accurate to the sewing data.



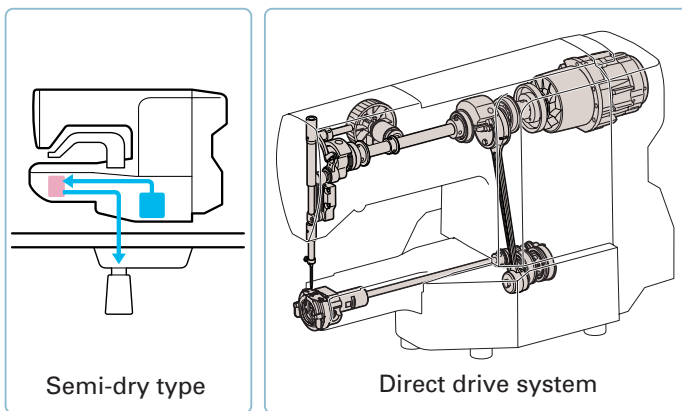
For ordinary materials / denim / knitted materials / foundation  
 Max. sewing area (X-Y): 40 X 30 mm  
 Stitch length: 0.05-12.7 mm  
 Number of stored data: 89 sewing patterns as standard  
 Max. number of stitches: 5,000stitches/pattern  
 Max. sewing speed: 3,200 sti/min  
 Digital tension, thread trimmer and thread wiper equipped as standard

### Sewing Data Programming Software

## PS-300B

- Your original sewing patterns can be created enhancing the product's value.
- Sewing pattern data can easily be modified. It reduces the time for resizing and correcting.
- Sewing pattern data for existing models and external data can also be used.

Main function: Creating, editing, setting and converting of sewing data. File input/output, data input/output



Semi-dry type

Direct drive system

## ● Pattern Tacking Machine



KE-484C

### Electronic Lockstitch Pattern Tacker

## KE-434C

- Most suitable for pattern sewing such as plain stitching of small articles and dart seam of curtains.

For medium materials / heavy materials  
 Max. sewing area (X-Y): 100 X 60 mm  
 Stitch length: 0.1-10.0 mm  
 Max. number of stitches: 20,000 stitches  
 Max. sewing speed: 2,500 sti/min  
 Thread trimmer & thread wiper equipped as standard

### Electronic Lockstitch Pattern Tacker with Treble Hook

## KE-484C



- The knife method of thread trimming can securely cut various threads up to #0.
- The torque can be easily increased with change of pulley and PROM. The most suitable model for heavy material / extra-heavy material such as seat belts.

Max. sewing area (X-Y): 100 X 60 mm  
 Stitch length: 0.1-10.0 mm  
 Max. number of stitches: 20,000 stitches  
 Max. sewing speed : 2,200 sti/min  
 Thread trimmer & thread wiper equipped as standard

# Programmable Electronic Pattern Sewing Machine



**Direct Drive Programmable Electronic Pattern Sewer with Cylinder Bed 130 x 60 mm**

## BAS-300G

DD

- Attractive sewing accurate to the sewing data.
- High productivity with maximum sewing speed, 2,700 sti/min.
- By using PD-3000 Programmer, creation and management of sewing data is easily done.

Sewing area (X-Y): 130 X 60 mm  
 For heavy materials / medium materials / seat belt  
 Max. sewing speed: 2,700 sti/min  
 Stitch length: 0.05-12.7 mm  
 Number of stitches: Max. 20,000 stitches per pattern

PD-3000



**Direct Drive Programmable Electronic Pattern Sewer with Cylinder Bed 220 x 100 mm**

## BAS-326G

DD

- Attractive sewing accurate to the sewing data.
- High productivity with maximum sewing speed, 2,700 sti/min.
- By using PD-3000 Programmer, creation and management of sewing data is easily done.

Sewing area (X-Y): 220 X 100 mm  
 For heavy materials / medium materials / seat belt  
 Max. sewing speed: 2,700 sti/min  
 Stitch length: 0.05-12.7 mm  
 Number of stitches: Max. 20,000 stitches per pattern

PD-3000



**Direct Drive Programmable Electronic Pattern Sewer with Cylinder Bed 130 x 100 mm**

## BAS-311G

DD

- Attractive sewing accurate to the sewing data.
- High productivity with maximum sewing speed, 2,700 sti/min.
- By using PD-3000 Programmer, creation and management of sewing data is easily done.

Sewing area (X-Y): 130 X 100 mm  
 For heavy materials / medium materials / seat belt  
 Max. sewing speed: 2,700 sti/min  
 Stitch length: 0.05-12.7 mm  
 Number of stitches: Max. 20,000 stitches per pattern

PD-3000



**Direct Drive Programmable Electronic Pattern Sewer with Perfect Stitch Hook and Cylinder Bed 220 x 100 mm**

## BAS-326G-PS

DD

- Amazing high quality stitches.
- Wide-range perfect stitch area.
- High productivity with maximum sewing speed, 2,700 sti/min.
- By using PD-3000 Programmer, creation and management of sewing data is easily done.

Sewing area (X-Y): 220 X 100 mm  
 For heavy materials  
 Max. sewing speed: 2,700 sti/min  
 Stitch length: 0.05-12.7 mm  
 Number of stitches: Max. 20,000 stitches per pattern

PD-3000



### Sewing Data Programming Software

## PS-300B

- Your original sewing patterns can be created enhancing the product's value.
- Sewing pattern data can easily be modified. It reduces the time for resizing and correcting.
- Sewing pattern data for existing models and external data can also be used.

Main function: Creating, editing, setting and converting of sewing data. File input/output, data input/output



### Sewing Data Programmer

## PD-3000

- Sewing data can easily be created with icons and commands.
- The details of the sewing data in process of creation can be viewed, with the indication of the comments, the shape, horizontal and vertical size, and number of stitches of the pattern.
- The programmer is suitable for sewing data management.
- The setting values of the memory switches can be checked with the programmer.
- English, Chinese, Spanish, Italian, French, German, Portuguese, Turkish, Vietnamese and Japanese are supported as display language.

PD-3000



## ● Programmable Electronic Pattern Sewing Machine



**Direct Drive Programmable Electronic Pattern Sewer with Cylinder Bed 300 x 200 mm**

### BAS-342G

DD

- Attractive sewing accurate to the sewing data.
- High productivity with maximum sewing speed, 2,700 sti/min.
- Strong needle penetration force is available and comfortable sewing is possible with heavy materials.
- By using PD-3000 Programmer, creation and management of sewing data is easily done.

Sewing area (X-Y): 300 X 200 mm

For heavy materials

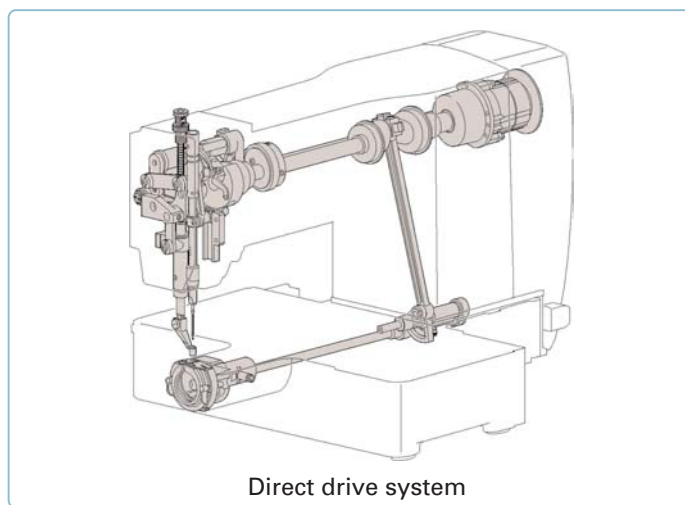
Max. sewing speed: 2,700 sti/min

(with stitch length 3.5 mm or below.)

Stitch length: 0.05-12.7 mm

Number of stitches: Max. 20,000 stitches per pattern

PD-3000



**Direct Drive Programmable Electronic Pattern Sewer with Perfect Stitch Hook and Cylinder Bed 300 x 200 mm**

### BAS-342G-PS

DD

- Amazing high quality stitches.
- Wide-range perfect stitch area.
- High productivity with maximum sewing speed, 2,700 sti/min.
- By using PD-3000 Programmer, creation and management of sewing data is easily done.

Sewing area (X-Y): 300 X 200 mm

For heavy materials

Max. sewing speed: 2,700 sti/min

Stitch length: 0.05-12.7 mm

Number of stitches: Max. 20,000 stitches per pattern

PD-3000



## ● Double Chain Stitch Sewing Machine



**Twin Needle / Three Needle Feed Off the Arm Double Chain Stitcher**

### DA-9270



For light and medium materials  
Max. sewing speed: 4,000 sti/min

Height of presser foot: 10 mm

Stitch length: 3-3.5 mm

Circumference of cylinder bed: 171 mm

**Twin Needle / Three Needle Feed Off the Arm Double Chain Stitcher**

### DA-9280



For heavy materials / extra heavy materials

Max. sewing speed: 4,000 sti/min

Height of presser foot: 11 mm

Stitch length: 4.2 mm

Circumference of cylinder bed: 171 mm

## ● Blind Stitch Sewing Machine



**Blind Stitcher**

### JC-9330

- One-touch switching between loose and tight seams.

Max. stitch length: 3.2-8.5 mm

Height of presser foot: 10 mm

Max. sewing speed: 3,000 sti/min

**Blind Stitcher with Differential Feed Mechanism**

### JC-9380



- The differential feed enables smooth feeding with no gathering.

Max. stitch length: 3.2-8.5 mm

Height of presser foot: 10 mm

Max. sewing speed: 3,000 sti/min

Product specifications are subject to change for improvement without notice. The values of the data depend on the specifications of models. Please refer to the catalogs of each model or our official site for further information.

Please read instruction manual before using the machine for safety operation.

**brother**<sup>®</sup>

**BROTHER INDUSTRIES, LTD.**

1-5, Kitajizoyama, Noda-cho, Kariya-shi, Aichi 448-0803, Japan.  
Phone: 81-566-95-0088 Fax: 81-566-25-3721 <http://www.brother.com/>

<b>CHINA</b>	BROTHER MACHINERY SHANGHAI LTD. <a href="http://www.brother-cn.net/">http://www.brother-cn.net/</a>	+86-21-3135-3355
<b>HONG KONG</b>	BROTHER INTERNATIONAL (HK) LTD. <a href="http://www.brother.com.hk/">http://www.brother.com.hk/</a>	+852-3589-9040
<b>ASIA</b>	BROTHER INTERNATIONAL SINGAPORE PTE LTD. <a href="http://www.brother.com.sg/">http://www.brother.com.sg/</a>	+65-6536-8891
<b>EUROPE</b> <small>AFRICA, MIDDLE EAST</small>	BROTHER INTERNATIONALE INDUSTRIEMASCHINEN G. m. b. H. <a href="http://www.brother-ism.com/">http://www.brother-ism.com/</a>	+49-2822-6090
<b>AMERICAS</b>	BROTHER INTERNATIONAL CORPORATION <a href="http://www.brother-usa.com/">http://www.brother-usa.com/</a>	+1-908-704-1700