

本縫筒型閉止ミシン
LOCKSTITCH BAR TACKER

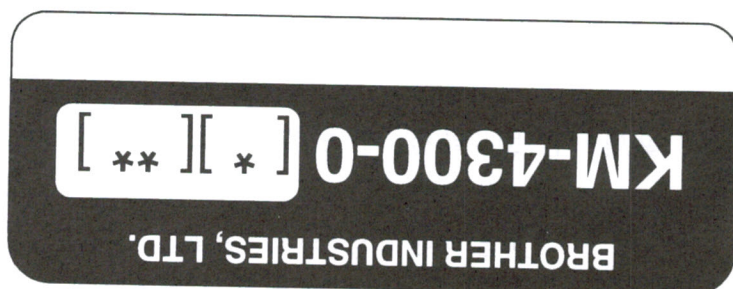
KM-4300

- 1 --- 被服 (42 針) / Ordinary materials (No. of stitches:42)
- 2 --- 子二△ (42 針) / Denim (No. of stitches:42)
- 3 --- 子二△ (35 針) / Denim (No. of stitches:35)
- 4 --- 被服 (28 針) / Ordinary materials (No. of stitches:28)
- 5 --- 被服 (28 針) / Ordinary materials (No. of stitches:28)
- 6 --- 子二△ (28 針) / Denim (No. of stitches:28)
- 7 --- ×リヤ又 (28 針) / Knitted materials (No. of stitches:28)
- 8 --- 被服 (21 針) / Ordinary materials (No. of stitches:21)
- 9 --- ×リヤ又 (21 針) / Knitted materials (No. of stitches:21)

**

- 0 --- 1 へタリ / 1 pedal
- 2 --- 2 へタリ / 2 pedals

*



パーツブックで利用に際して

1. この本は、2002年4月のデータに基づいて作成されたものです。
2. 部品は予告なしに設計変更される場合があります。
3. 組単位で補給する部品は、破線で示してあります。
4. 部品コード欄が*となっている場合は、仕様別部品一覧表(43ページ)でお調べください。

目次

| | |
|------------|----|
| A. 主体関係 | 1 |
| B. クラッチ関係 | 5 |
| C. 上軸、針棒関係 | 9 |
| D. 動車、遊車関係 | 11 |
| E. 補給部品 | 11 |
| F. 送り関係 | 13 |
| G. 押工上ケ関係 | 17 |
| H. カム伝導関係 | 19 |
| J. パワー押し関係 | 21 |
| K. 下軸関係 | 23 |
| L. 給油潤滑関係 | 25 |
| M. 糸通シ関係 | 29 |
| N. 糸巻キ関係 | 31 |
| P. 糸切り関係 | 33 |
| Q. 糸払イ関係 | 35 |
| R. 糸締メ関係 | 35 |
| S. 付属装置セット | 37 |
| T. 特別注文部品 | 37 |
| Z. 付属品関係 | 39 |
| 仕様別部品一覧表 | 43 |
| オプショナルパーツ | 47 |
| Wa. 警告ラベル | 48 |
| 索引 | 49 |

Notes for using this parts book

1. This book was prepared based on information available in April 2002.

2. Parts are subject to changes in design without prior notice.

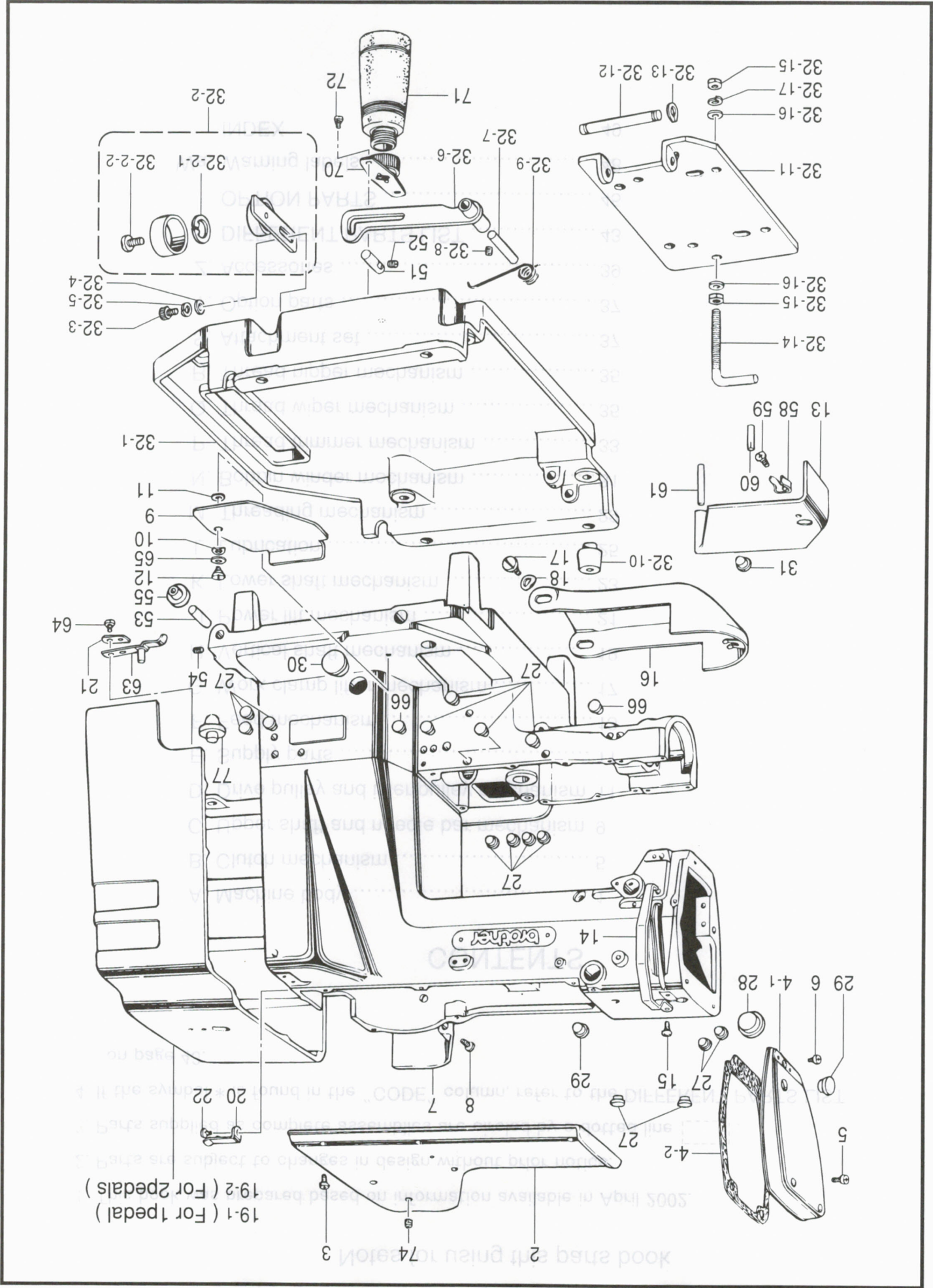
3. Parts supplied as complete assemblies are circled by a dotted line .

4. If the symbol * is found in the "CODE" column, refer to the DIFFERENT PARTS LIST

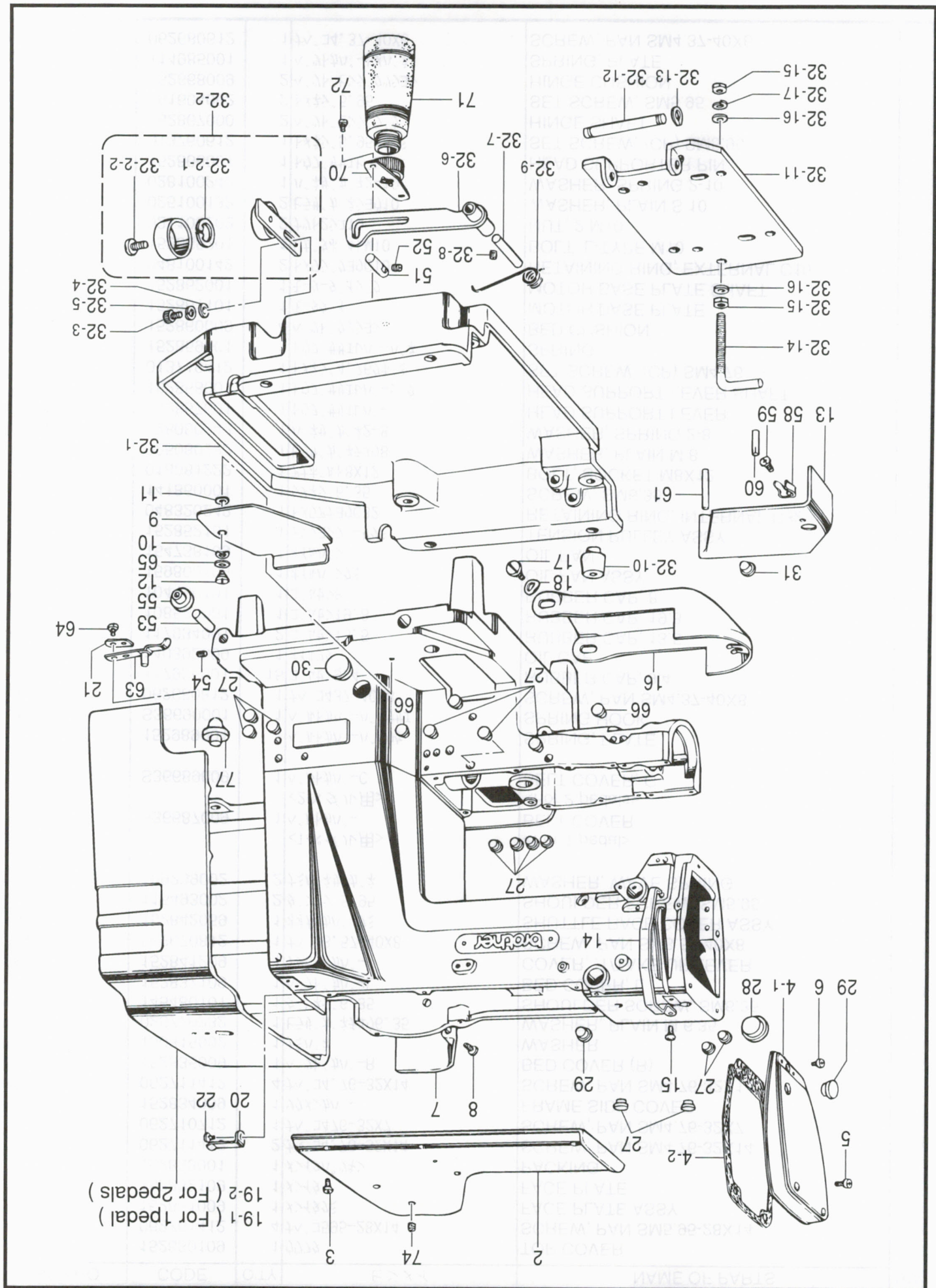
on page 43.

CONTENTS

| | |
|--|----|
| A. Machine body | 1 |
| B. Clutch mechanism | 5 |
| C. Upper shaft and needle bar mechanism | 9 |
| D. Drive pulley and idler pulley mechanism | 11 |
| E. Supply parts | 11 |
| F. Feed mechanism | 13 |
| G. Work clamp lifter mechanism | 17 |
| H. Vertical shaft mechanism | 19 |
| J. Power lift mechanism | 21 |
| K. Lower shaft mechanism | 23 |
| L. Lubrication | 25 |
| M. Threading mechanism | 29 |
| N. Bobbin winder mechanism | 31 |
| P. Thread trimmer mechanism | 33 |
| Q. Thread wiper mechanism | 35 |
| R. Thread nipper mechanism | 35 |
| S. Attachment set | 37 |
| T. Option parts | 37 |
| Z. Accessories | 39 |
| DIFFERENT PARTS LIST | 43 |
| OPTION PARTS | 45 |
| Wa. Warning labels | 48 |
| INDEX | 49 |



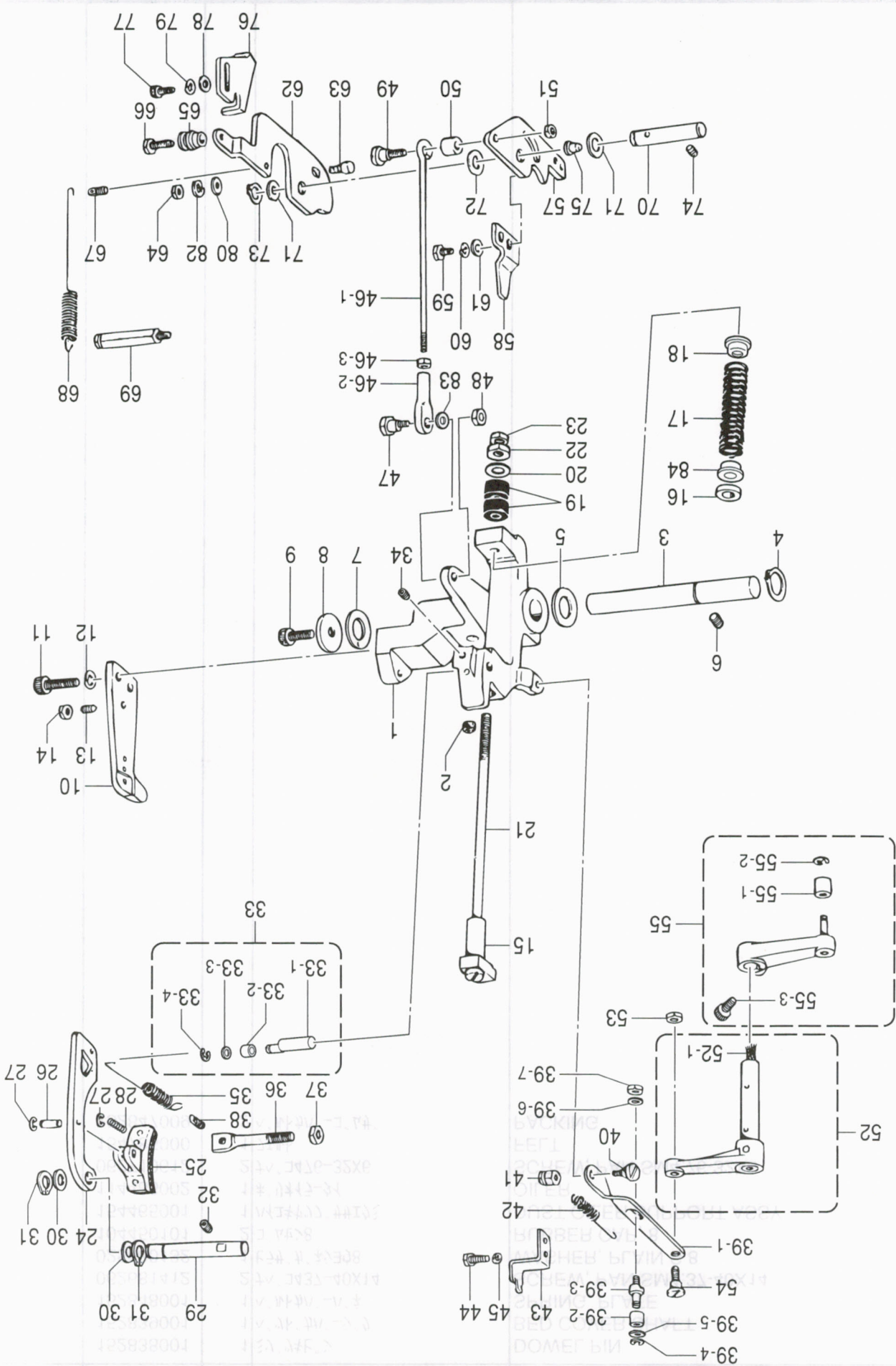
| REF.NO | CODE | QTY | 数量 | NAME OF PARTS | RM |
|--------|------------|-----|----|---------------------------------|----|
| 2 | 152830109 | 1 | 1 | TOP COVER | |
| 3 | 062761412 | 4 | 4 | SCREW, PAN SM5.95-28X14 | |
| 4 | 152831009 | 1 | 1 | FACE PLATE ASSY | |
| 4-1 | 152832109 | 1 | 1 | FACE PLATE | |
| 4-2 | 152833001 | 1 | 1 | PACKING | |
| 5 | 062711412 | 2 | 2 | SCREW, PAN SM4.76-32X14 | |
| 6 | 062710712 | 1 | 1 | SCREW, PAN SM4.76-32X7 | |
| 7 | 152834009 | 1 | 1 | FRAME SIDE COVER | |
| 8 | 062711412 | 4 | 4 | SCREW, PAN SM4.76-32X14 | |
| 9 | 152835009 | 1 | 1 | SCREW, PAN SM4.76-32X14 | |
| 10 | 100315002 | 1 | 1 | WASHER | |
| 11 | 025770232 | 1 | 1 | WASHER, PLAIN M 6.35 | |
| 12 | 145480101 | 1 | 1 | SHOULDER SCREW, SM6.35 | |
| 13 | 152837109 | 1 | 1 | BED COVER, L | |
| 14 | 152841209 | 1 | 1 | COVER, TAKE-UP LEVER | |
| 15 | 062670812 | 1 | 1 | SCREW, PAN SM3.57-40X8 | |
| 16 | 152842059 | 1 | 1 | SHUTTLE RACE COVER ASSY | |
| 17 | 115493002 | 2 | 2 | SHOULDER SCREW, SM5.95 | |
| 18 | 1092339002 | 2 | 2 | WASHER, WAVE SPRING | |
| 19-1 | S36687009 | 1 | 1 | <For 1 pedal> BELT COVER | |
| 19-2 | S36689009 | 1 | 1 | <For 2 pedals> BELT COVER, C | |
| 20 | 152989001 | 1 | 1 | SPRING, PLATE | |
| 21 | S36690001 | 1 | 1 | SPRING HOOK | |
| 22 | 062680812 | 1 | 1 | SCREW, PAN SM4.37-40X8 | |
| 27 | 117936001 | 15 | 15 | RUBBER CAP, 9.4 | |
| 28 | 140392009 | 1 | 1 | OIL CAP | |
| 29 | 117934001 | 2 | 2 | RUBBER CAP, 13.5 | |
| 30 | 108520001 | 1 | 1 | RUBBER CAP, 19.8 | |
| 31 | 104450101 | 1 | 1 | RUBBER CAP, 8 | |
| 32 | 159808109 | 1 | 1 | OIL PAN ASSY | |
| 32-1 | 154738109 | 1 | 1 | OIL PAN | |
| 32-2 | 152852101 | 1 | 1 | TENSION PULLEY ASSY | |
| 32-2-1 | 048320242 | 1 | 1 | RETAINING RING, INTERNAL C32 | |
| 32-2 | 141860001 | 1 | 1 | SCREW, SM6.35 | |
| 32-3 | 018081222 | 1 | 1 | BOLT, SOCKET M8X12 | |
| 32-4 | 025080232 | 1 | 1 | WASHER, PLAIN M 8 | |
| 32-5 | 028080242 | 1 | 1 | WASHER, SPRING 2-8 | |
| 32-6 | 152857001 | 1 | 1 | HEAD SUPPORT LEVER | |
| 32-7 | 152858001 | 1 | 1 | HEAD SUPPORT LEVER SHAFT | |
| 32-8 | 013719412 | 1 | 1 | SET SCREW, (CP) SM4.76 | |
| 32-9 | 152859001 | 1 | 1 | SPRING | |
| 32-10 | 152860009 | 4 | 4 | BED CUSHION | |
| 32-11 | 152861101 | 1 | 1 | MOTOR BASE PLATE | |
| 32-12 | 152862001 | 1 | 1 | MOTOR BASE PLATE SHAFT | |
| 32-13 | 048100142 | 2 | 2 | RETAINING RING, EXTERNAL C10 | |
| 32-14 | 152865201 | 1 | 1 | BOLT, L-TYPE M10 | |
| 32-15 | 021100202 | 2 | 2 | NUT, 2 M10 | |
| 32-16 | 025100132 | 2 | 2 | WASHER, PLAIN S 10 | |
| 32-17 | 028100242 | 1 | 1 | WASHER, SPRING 2-10 | |
| 51 | 152866001 | 1 | 1 | HEAD SUPPORTER PIN | |
| 52 | 013760612 | 1 | 1 | SET SCREW, (CP) SM5.95 | |
| 53 | 152867000 | 2 | 2 | HINGE SHAFT | |
| 54 | 151604002 | 2 | 2 | SET SCREW, SM5.95 | |
| 55 | 152868009 | 2 | 2 | HINGE CUSHION | |
| 58 | 114985001 | 1 | 1 | SPRING, PLATE | |
| 59 | 062680612 | 1 | 1 | SCREW, PAN SM4.37-40X6 | |



A. 主体関係 / Machine body

A. 主体関係 / Machine body

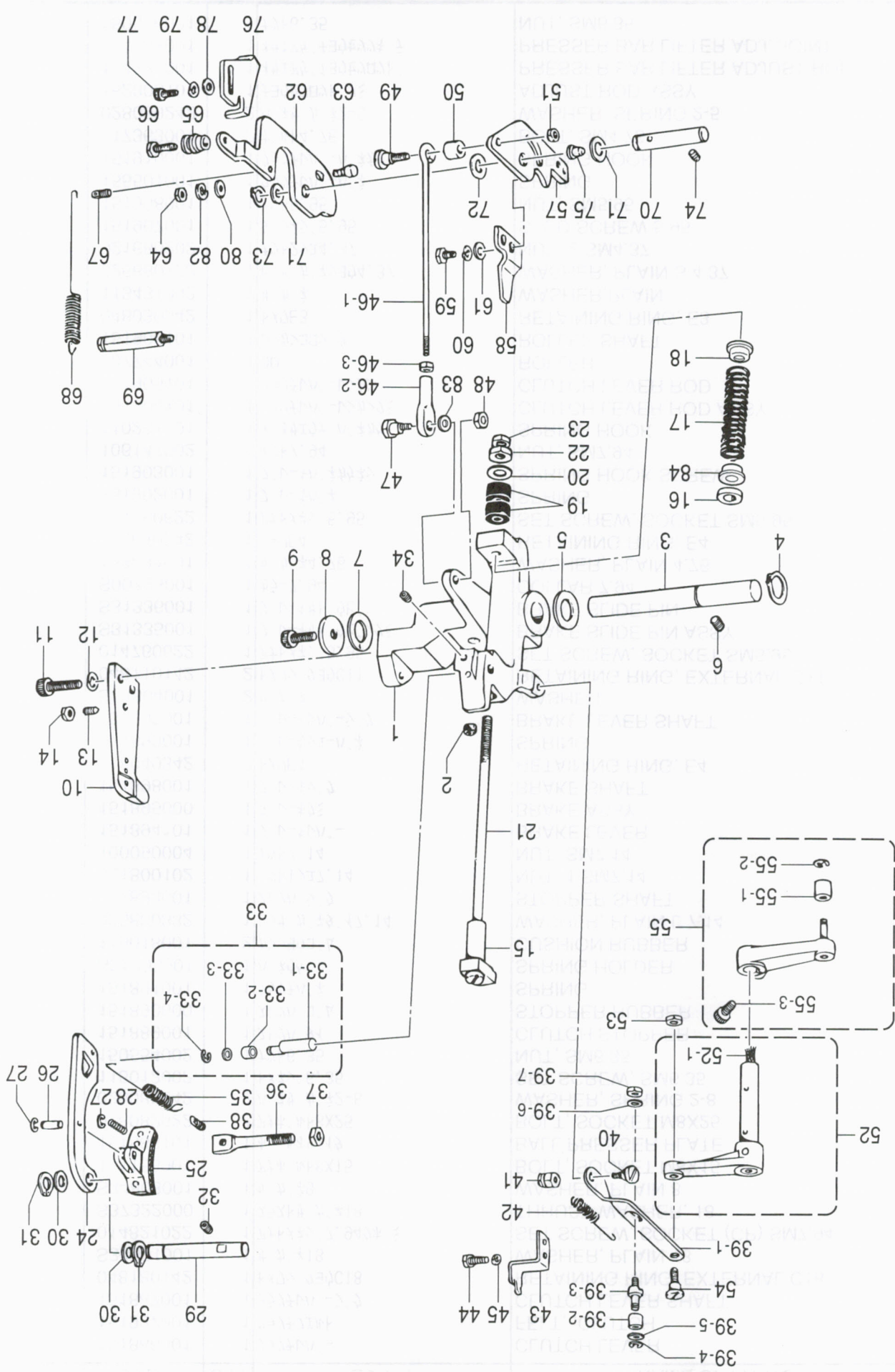
| REF.NO | CODE | QTY | 品名 | NAME OF PARTS |
|--------|-----------|-----|--------------------|-------------------------|
| 60 | 152838001 | 1 | ドowelピン | DOWEL PIN |
| 61 | 152839001 | 1 | ベドカバーシャフト | BED COVER SHAFT |
| 63 | 152848001 | 1 | バネプレート | SPRING, PLATE |
| 64 | 062681412 | 2 | スクリュー SM4.37-40X14 | SCREW, PAN SM4.37-40X14 |
| 65 | 025080132 | 1 | ワッシャー 8 | WASHER, PLAIN S 8 |
| 66 | 104450101 | 2 | ゴムキャップ | RUBBER CAP, 8 |
| 70 | 154465001 | 1 | ダストオイルサポートアッシー | DUST OILER SUPPORT ASSY |
| 71 | 114486002 | 1 | オイル | OILER |
| 72 | 062710612 | 2 | スクリュー SM4.76-32X6 | SCREW, PAN SM4.76-32X6 |
| 74 | 154785000 | 1 | フェルト | FELT |
| 77 | 152847009 | 2 | パッキング | PACKING |



B. クラッチ関係 / Clutch mechanism

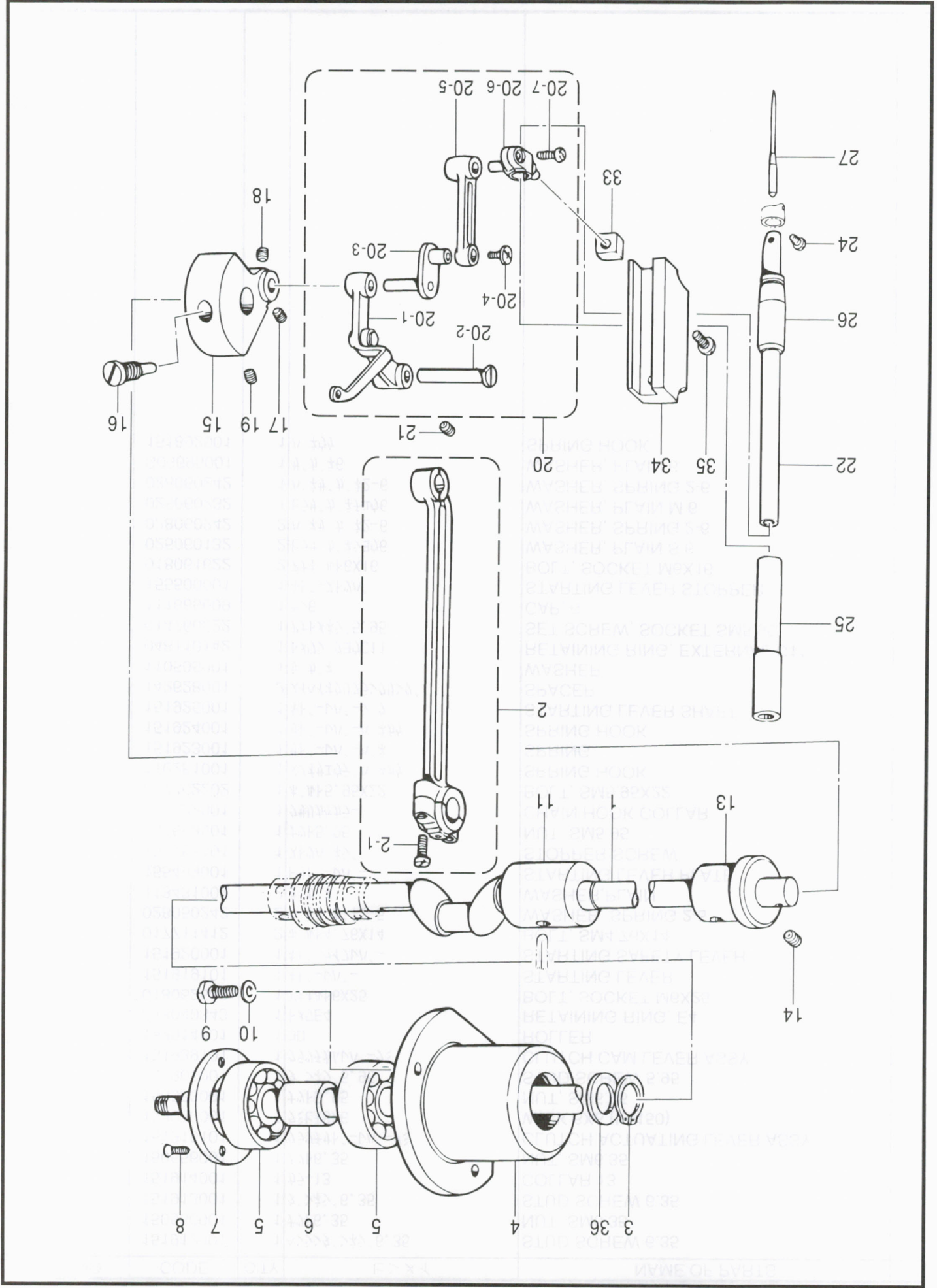
コード / CODE

| REF.NO | CODE | QTY | 品名 | NAME OF PARTS |
|--------|-----------|-----|--------------|-------------------------------|
| 1 | 151886001 | 1 | クラッチレバー | CLUTCH LEVER |
| 2 | 151927001 | 1 | クラッチフェルト | FELT, CLUTCH |
| 3 | 151887001 | 1 | クラッチレバーシャフト | CLUTCH LEVER SHAFT |
| 4 | 048180142 | 1 | 外部リング | RETAINING RING, EXTERNAL C18 |
| 5 | S34801001 | 1 | ワッシャー | WASHER, PLAIN 18 |
| 6 | 014821022 | 1 | セットスクリュー | SET SCREW, SOCKET (CP) SM7.94 |
| 7 | S37322000 | 1 | スラストワッシャー | THRUST WASHER, 18 |
| 8 | S34803001 | 1 | ワッシャー | WASHER, PLAIN 8 |
| 9 | 151163001 | 1 | ボールソケット | BOLT, SOCKET M8X15 |
| 10 | 151888101 | 1 | ボールプレッサープレート | BALL PRESSER PLATE |
| 11 | 018082522 | 2 | ボールソケット | BOLT, SOCKET M8X25 |
| 12 | 028080242 | 2 | ワッシャー | WASHER, SPRING 2-8 |
| 13 | 115012002 | 1 | セットスクリュー | SET SCREW, SM6.35 |
| 14 | 150554002 | 1 | ナット | NUT, SM6.35 |
| 15 | 151889001 | 1 | クラッチストッパー | CLUTCH STOPPER |
| 16 | 151890000 | 1 | ストッパーラバー | STOPPER RUBBER |
| 17 | 151891001 | 1 | クラッチスプリング | SPRING |
| 18 | S34806001 | 1 | スプリングホルダー | SPRING HOLDER |
| 19 | 115018001 | 2 | クッションラバー | CUSHION RUBBER |
| 20 | 025800332 | 1 | ワッシャー | WASHER, PLAIN L 7.14 |
| 21 | 151893001 | 1 | ストップシャフト | STOPPER SHAFT |
| 22 | 021800102 | 1 | ナット | NUT, 1 SM7.14 |
| 23 | 100090004 | 1 | ナット | NUT, SM7.14 |
| 24 | 151894101 | 1 | クラッチレバー | BRAKE LEVER |
| 25 | 151895000 | 1 | クラッチアッシー | BRAKE ASSY |
| 26 | 151898001 | 1 | クラッチシャフト | BRAKE SHAFT |
| 27 | 048040342 | 2 | 外部リング | RETAINING RING, E4 |
| 28 | 151899001 | 1 | クラッチレバー | BRAKE LEVER SHAFT |
| 29 | 151900001 | 1 | クラッチレバー | BRAKE LEVER SHAFT |
| 30 | S34804001 | 2 | ワッシャー | WASHER |
| 31 | 048110142 | 2 | 外部リング | RETAINING RING, EXTERNAL C11 |
| 32 | 014760622 | 1 | セットスクリュー | SET SCREW, SOCKET SM5.95 |
| 33 | S31335001 | 1 | クラッチスライドピン | BRAKE SLIDE PIN ASSY |
| 33-1 | S31336001 | 1 | クラッチスライドピン | BRAKE SLIDE PIN |
| 33-2 | S00723001 | 1 | コラー | COLLAR 7.94 |
| 33-3 | 153484001 | 1 | ワッシャー | WASHER, PLAIN 4.76 |
| 33-4 | 048040342 | 1 | 外部リング | RETAINING RING, E4 |
| 34 | 014760622 | 1 | セットスクリュー | SET SCREW, SOCKET SM5.95 |
| 35 | 151902001 | 1 | クラッチスプリング | SPRING |
| 36 | 151903001 | 1 | クラッチスプリングフック | SPRING HOOK SCREW |
| 37 | 106147002 | 1 | ナット | NUT, SM7.94 |
| 38 | 110251001 | 1 | クラッチスプリングフック | SPRING HOOK |
| 39 | 151904101 | 1 | クラッチレバー | CLUTCH LEVER ROD ASSY |
| 39-1 | 151905101 | 1 | クラッチレバー | CLUTCH LEVER ROD |
| 39-2 | 107744001 | 1 | ローラー | ROLLER |
| 39-3 | 151906101 | 1 | ローラーシャフト | ROLLER SHAFT |
| 39-4 | 048030342 | 1 | 外部リング | RETAINING RING, E3 |
| 39-5 | 113431002 | 1 | ワッシャー | WASHER, PLAIN |
| 39-6 | 025680132 | 1 | ワッシャー | WASHER, PLAIN S 4.37 |
| 39-7 | 021680202 | 1 | ナット | NUT, 2 SM4.37 |
| 40 | 151907001 | 1 | スタッドスクリュー | STUD SCREW 5.95 |
| 41 | 151908001 | 1 | ナット | NUT, SM5.95 |
| 42 | 155501001 | 1 | クラッチスプリング | SPRING |
| 43 | 151910001 | 1 | クラッチスプリングフック | SPRING HOOK |
| 44 | 117363001 | 2 | ボルト | BOLT, SM4.76 |
| 45 | 028050242 | 2 | ワッシャー | WASHER, SPRING 2-5 |
| 46 | 152808101 | 1 | 調整ロッドアッシー | ADJUST ROD ASSY |
| 46-1 | 154332001 | 1 | 調整ロッド | PRESSER BAR LIFTER ADJUST ROD |
| 46-2 | 154333001 | 1 | 調整ロッド | PRESSER BAR LIFTER ADJ. JOINT |
| 46-3 | 150556001 | 1 | ナット | NUT, SM6.35 |



B. クラッチ関係 / Clutch mechanism

| REF.NO | CODE | QTY | 品名 | NAME OF PARTS | RM |
|--------|-----------|-----|--------------------|------------------------------|----|
| 47 | 151912001 | 1 | スタッドボルト 6.35 | STUD SCREW 6.35 | |
| 48 | 150556001 | 1 | ナット 6.35 | NUT, SM6.35 | |
| 49 | 151913001 | 1 | スタッドボルト 6.35 | STUD SCREW 6.35 | |
| 50 | 151914001 | 1 | ワッシャー 13 | COLLAR 13 | |
| 51 | 150556001 | 1 | ナット 6.35 | NUT, SM6.35 | |
| 52 | 151915101 | 1 | クラッチカムレバーアッシー | CLUTCH ACTUATING LEVER ASSY | |
| 52-1 | 152980001 | 1 | ワックス 6X6 | WICK 6X6 (L=150) | |
| 53 | 150553001 | 1 | ナット 5.95 | NUT, SM5.95 | |
| 54 | 151907001 | 1 | スタッドボルト 5.95 | STUD SCREW 5.95 | |
| 55 | 151939101 | 1 | クラッチカムレバーアッシー | CLUTCH CAM LEVER ASSY | |
| 55-1 | 152914001 | 1 | ローラー | ROLLER | |
| 55-2 | 048040343 | 1 | リテーニングリング E4 | RETAINING RING, E4 | |
| 55-3 | 018062532 | 1 | ボルト、ソケット M6X25 | BOLT, SOCKET M6X25 | |
| 57 | 151919101 | 1 | ワッシャー | STARTING LEVER | |
| 58 | 151920001 | 1 | ワッシャー | STARTING SAFETY LEVER | |
| 59 | 017711412 | 2 | ボルト M4.76X14 | BOLT, SM4.76X14 | |
| 60 | 028050242 | 2 | ワッシャー、スプリング 2-5 | WASHER, SPRING 2-5 | |
| 61 | 113431002 | 2 | ワッシャー | WASHER, PLAIN | |
| 62 | 155499001 | 1 | スタートレバープレート | STARTING LEVER PLATE | |
| 63 | 154155101 | 1 | ストップボルト | STOPPER SCREW | |
| 64 | 150553001 | 1 | ナット 5.95 | NUT, SM5.95 | |
| 65 | 151922001 | 1 | チェーンフックコラー | CHAIN HOOK COLLAR | |
| 66 | 017762202 | 1 | ボルト、SM5.95X22 | BOLT, SM5.95X22 | |
| 67 | 110251001 | 1 | スプリングフック | SPRING HOOK | |
| 68 | 151923001 | 1 | ワッシャー | SPRING | |
| 69 | 151924001 | 1 | ワッシャー | SPRING HOOK | |
| 70 | 151925001 | 1 | ワッシャー | STARTING LEVER SHAFT | |
| 71 | 142628001 | 2 | スタートレバーシャフト | STARTING LEVER SHAFT | |
| 72 | 110505001 | 1 | ワッシャー | SPACER | |
| 73 | 048110142 | 1 | リテーニングリング、外部 C11 | RETAINING RING, EXTERNAL C11 | |
| 74 | 014760622 | 1 | セットボルト、ソケット SM5.95 | SET SCREW, SOCKET SM5.95 | |
| 75 | 111865009 | 1 | キャップ 6 | CAP, 6 | |
| 76 | 155500001 | 1 | スタートレバーストップ | STARTING LEVER STOPPER | |
| 77 | 018061622 | 2 | ボルト、ソケット M6X16 | BOLT, SOCKET M6X16 | |
| 78 | 025060132 | 2 | ワッシャー、スプリング 2-6 | WASHER, PLAIN S 6 | |
| 79 | 028060242 | 2 | ワッシャー、スプリング 2-6 | WASHER, SPRING 2-6 | |
| 80 | 025060232 | 1 | ワッシャー、スプリング 2-6 | WASHER, PLAIN M 6 | |
| 82 | 028060242 | 1 | ワッシャー、スプリング 2-6 | WASHER, SPRING 2-6 | |
| 83 | S03695001 | 1 | ワッシャー、スプリング 2-6 | WASHER, PLAIN 6 | |
| 84 | 151892001 | 1 | スプリングフック | SPRING HOOK | |

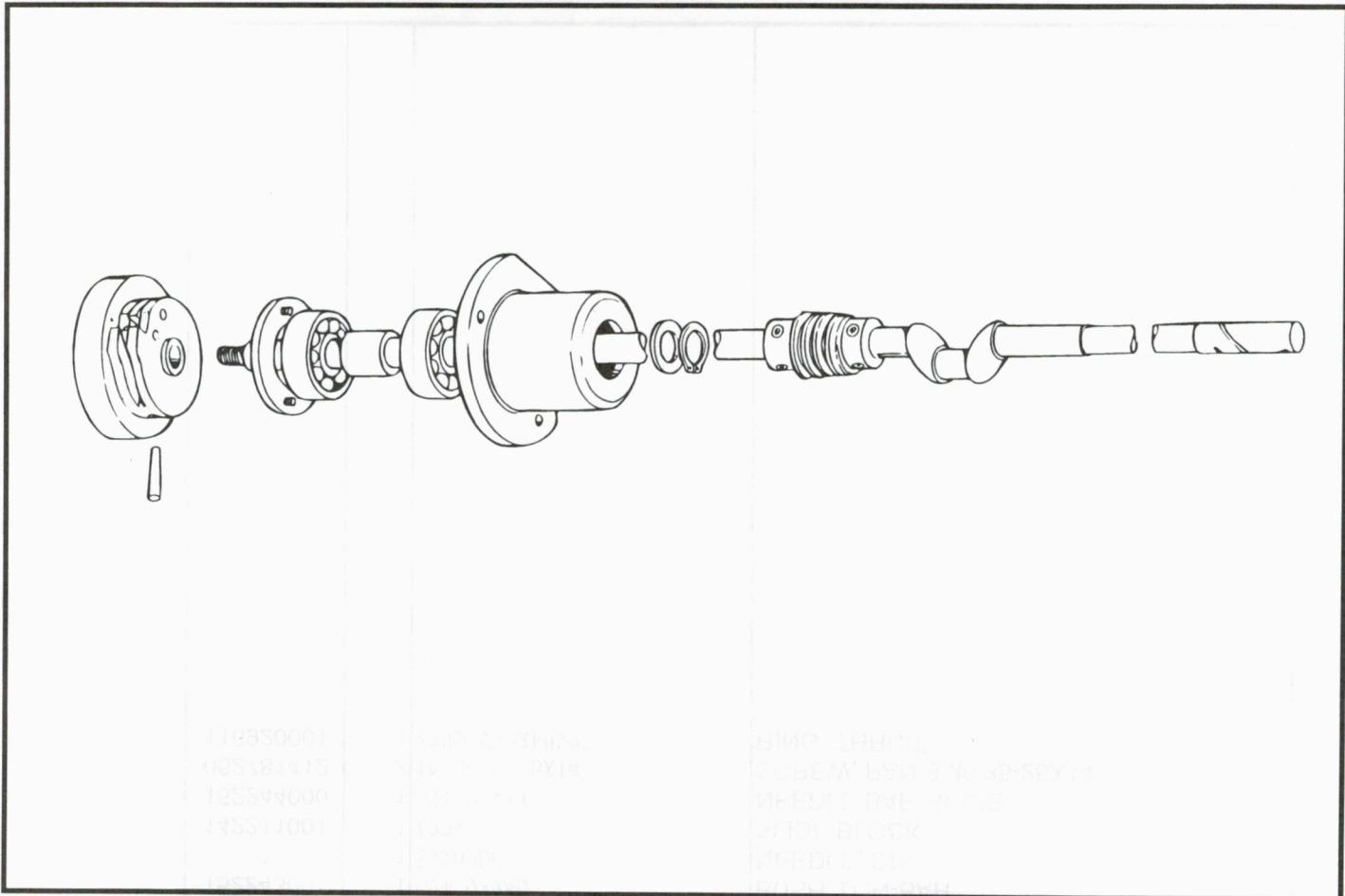


C. 上軸・針棒関係 / Upper shaft and needle bar mechanism

C. 上軸、針棒機構 / Upper shaft and needle bar mechanism

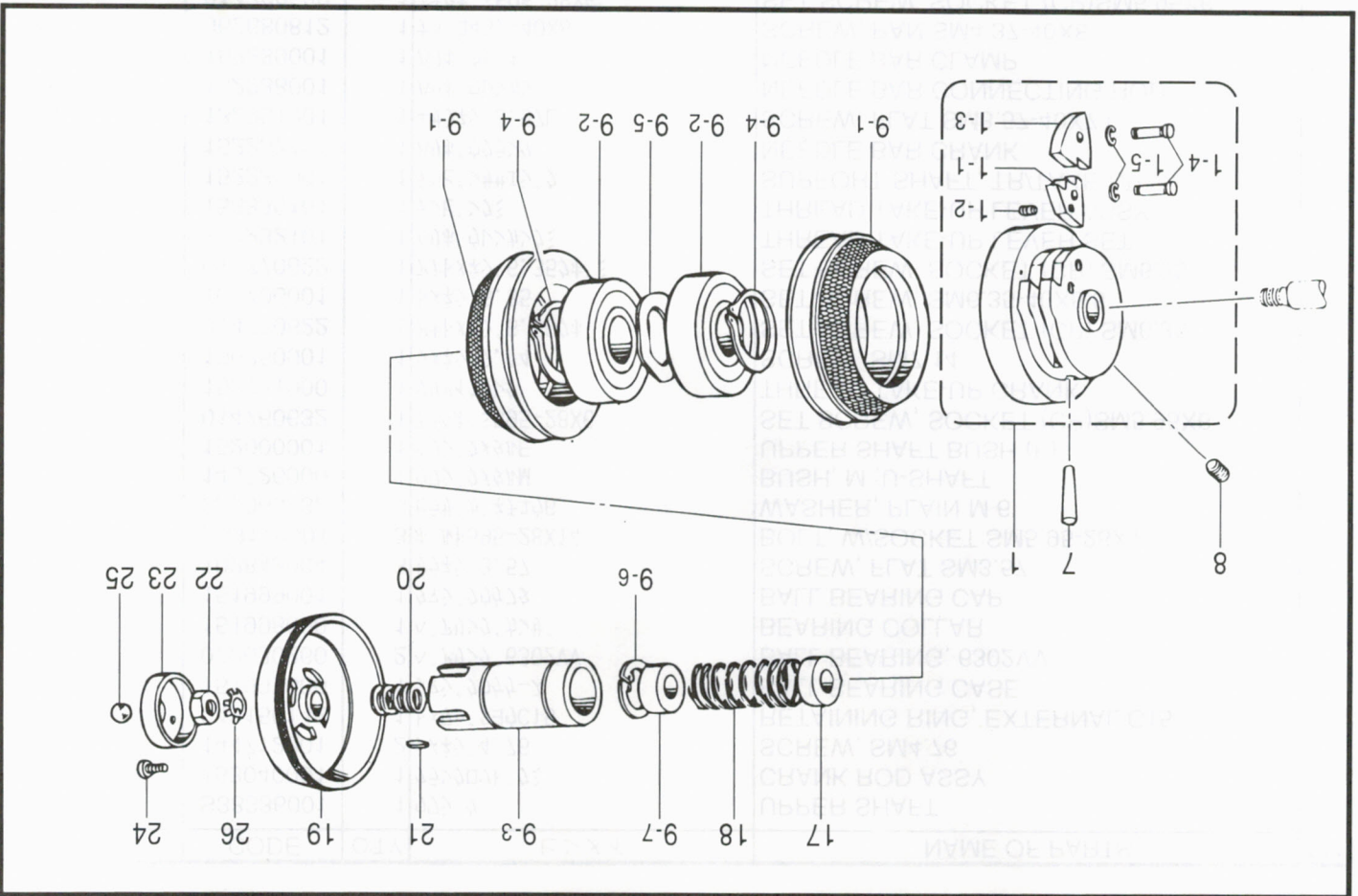
| REF.NO | CODE | QTY | 品名 | NAME OF PARTS | RM |
|--------|-----------|-----|---------|---------------------------------|----|
| 1 | S38336001 | 1 | 上軸 | UPPER SHAFT | |
| 2 | 153040001 | 1 | 針棒軸組 | CRANK ROD ASSY | |
| 2-1 | 144712001 | 2 | 針棒 | SCREW, SM4.76 | |
| 3 | 048150142 | 1 | 針棒保持リング | RETAINING RING, EXTERNAL C15 | |
| 4 | 151997000 | 1 | 針棒軸組 | BALL BEARING CASE | |
| 5 | 072630260 | 2 | 針棒軸組 | BALL BEARING, 6302VV | |
| 6 | 151998000 | 1 | 針棒軸組 | BEARING COLLAR | |
| 7 | 151999001 | 1 | 針棒軸組 | BALL BEARING CAP | |
| 8 | 102843004 | 3 | 針棒軸組 | SCREW, FLAT SM3.57 | |
| 9 | S39110001 | 3 | 針棒軸組 | BOLT, W/SOCKET SM5.95-28X14 | |
| 10 | 025060232 | 3 | 針棒軸組 | WASHER, PLAIN M 6 | |
| 11 | 140726000 | 1 | 針棒軸組 | BUSH, M; U-SHAFT | |
| 13 | 152000001 | 1 | 針棒軸組 | UPPER SHAFT BUSH (F) | |
| 14 | 014760632 | 1 | 針棒軸組 | SET SCREW, SOCKET (CP) SM5.95X6 | |
| 15 | 152231000 | 1 | 針棒軸組 | THREAD TAKE-UP CRANK | |
| 16 | 100250001 | 1 | 針棒軸組 | SCREW, SM7.14 | |
| 17 | 014770622 | 1 | 針棒軸組 | SET SCREW, SOCKET (CP) SM6.35 | |
| 18 | 101706001 | 1 | 針棒軸組 | SET SCREW, SM6.35-40X5.5 | |
| 19 | 014770622 | 1 | 針棒軸組 | SET SCREW, SOCKET (CP) SM6.35 | |
| 20 | 152232101 | 1 | 針棒軸組 | THREAD TAKE-UP LEVER SET | |
| 20-1 | 153330101 | 1 | 針棒軸組 | THREAD TAKE-UP LEVER ASSY | |
| 20-2 | 152236001 | 1 | 針棒軸組 | SUPPORT SHAFT, TR/TAKE-UP | |
| 20-3 | 152237101 | 1 | 針棒軸組 | NEEDLE BAR CRANK | |
| 20-4 | 132051001 | 1 | 針棒軸組 | SCREW, FLAT SM3.57-40X7 L | |
| 20-5 | 152238001 | 1 | 針棒軸組 | NEEDLE BAR CONNECTING ROD | |
| 20-6 | 152239001 | 1 | 針棒軸組 | NEEDLE BAR CLAMP | |
| 20-7 | 062680812 | 1 | 針棒軸組 | SCREW, PAN SM4.37-40X8 | |
| 21 | 014760632 | 1 | 針棒軸組 | SET SCREW, SOCKET (CP) SM5.95X6 | |
| 22 | 152240101 | 1 | 針棒軸組 | NEEDLE BAR, A | |
| 24 | 144458001 | 1 | 針棒軸組 | SET SCREW, SM3.57-40X4.5 | |
| 25 | 152242001 | 1 | 針棒軸組 | BUSH, U; N-BAR | |
| 26 | 152243001 | 1 | 針棒軸組 | BUSH, D; N-BAR | |
| 27 | * | 1 | 針棒軸組 | NEEDLE, DP | |
| 33 | 142211001 | 1 | 針棒軸組 | SLIDE BLOCK | |
| 34 | 152244000 | 1 | 針棒軸組 | NEEDLE BAR GUIDE | |
| 35 | 062781412 | 2 | 針棒軸組 | SCREW, PAN SM6.35-28X14 | |
| 36 | 116920001 | 1 | 針棒軸組 | RING, THRUST | |

118-430-960



118-430-125

E. 補給部品 / Supply parts



D. 動車・遊車関係 / Drive pulley and idler pulley mechanism

D. 動車、遊車關係 / Drive pulley and idler pulley mechanism

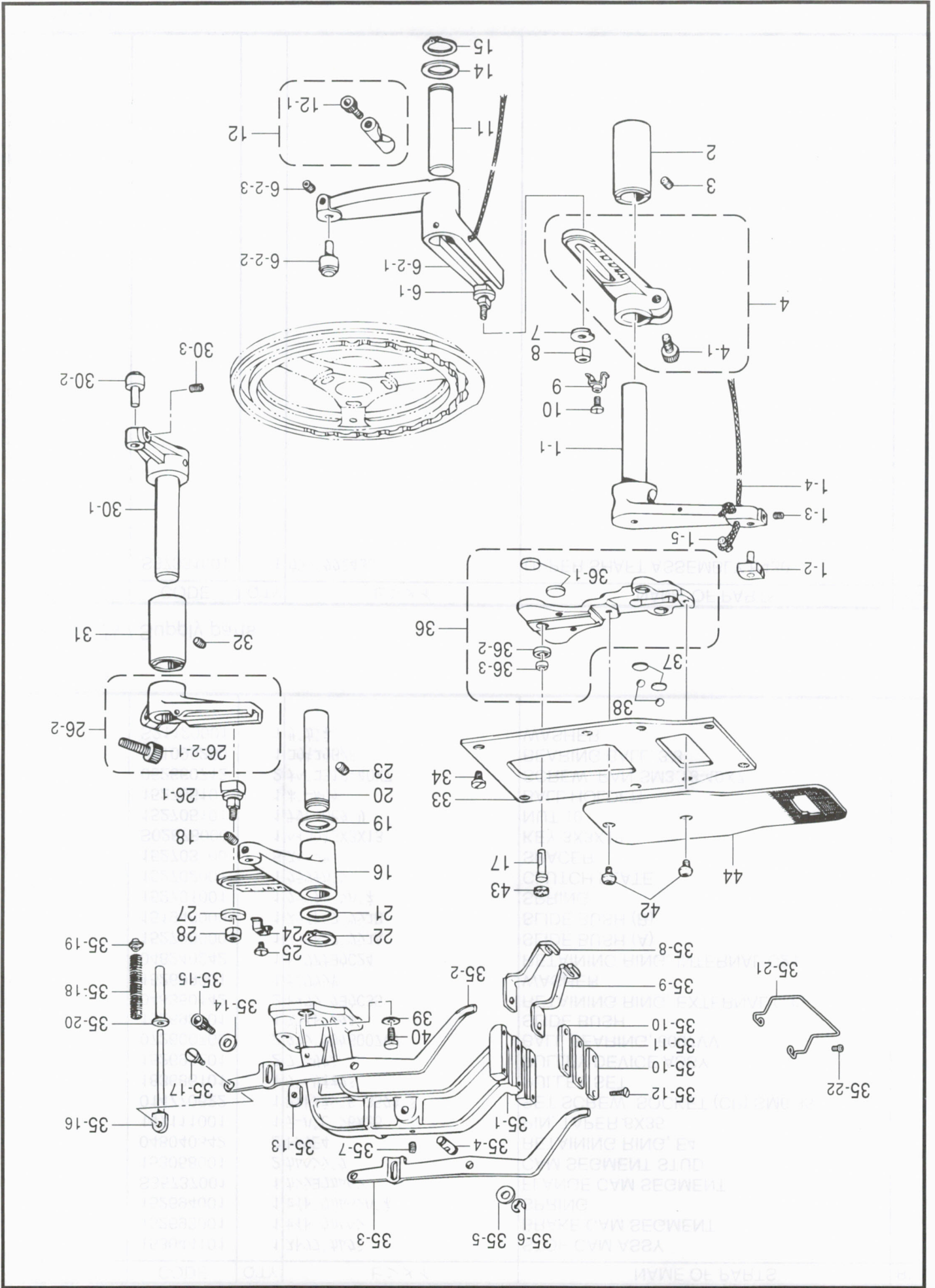
| REF.NO | CODE | QTY | 品名 | RM |
|--------|------------|-----|-------------------------------|----|
| 1 | 153044101 | 1 | STOP CAM ASSY | |
| 1-1 | 152693001 | 1 | BRAKE CAM SEGMENT | |
| 1-2 | 152694001 | 1 | SPRING | |
| 1-3 | S35737001 | 1 | FLANGE CAM SEGMENT | |
| 1-4 | 153058001 | 2 | CAM SEGMENT STUD | |
| 1-5 | 048040342 | 2 | RETAINING RING, E4 | |
| 7 | 1471111001 | 1 | ピン、TAPER 6X35 | |
| 8 | 014770622 | 1 | SET SCREW, SOCKET (CP) SM6.35 | |
| 9 | 183686101 | 1 | PULLEY SET | |
| 9-1 | 152695201 | 2 | PULLEY DEVICE ASSY | |
| 9-2 | 072600760 | 2 | BALL BEARING, 6007VV | |
| 9-3 | 152698101 | 1 | SLIDE BUSH | |
| 9-4 | 048350142 | 2 | RETAINING RING, EXTERNAL C35 | |
| 9-5 | 152699001 | 1 | WASHER | |
| 9-6 | 048240242 | 1 | RETAINING RING, INTERNAL C24 | |
| 9-7 | 152700000 | 1 | SLIDE BUSH (A) | |
| 17 | 151946000 | 1 | SLIDE BUSH (B) | |
| 18 | 152701001 | 1 | SPRING | |
| 19 | 152702001 | 1 | CLUTCH PLATE | |
| 20 | 152703100 | 5 | SPACER | |
| 21 | S02878000 | 1 | KEY 3X3X13 | |
| 22 | 152705101 | 1 | NUT 10 | |
| 23 | 152706101 | 1 | BALL HOLDER | |
| 24 | 062660712 | 2 | SCREW, PAN SM3.18-40X7 | |
| 25 | 071095250 | 1 | BEARING BALL, 3/8 | |
| 26 | S21120001 | 1 | WASHER | |

118-430-125

E. 補給部品 / Supply parts

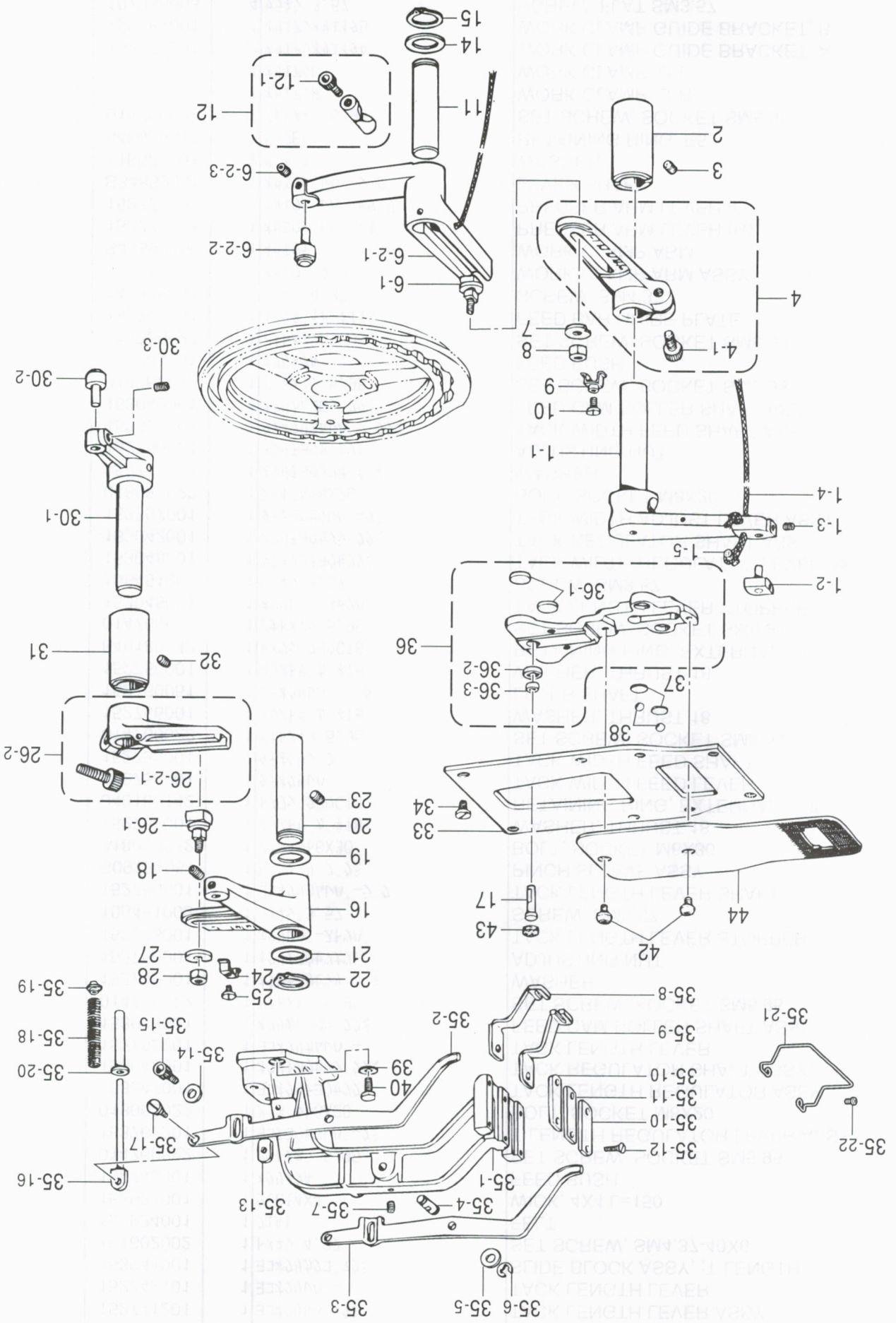
| REF.NO | CODE | QTY | 品名 | RM |
|--------|-----------|-----|---------------------------|----|
| | S37331001 | 1 | UPPER SHAFT ASSEMBLY B430 | |

118-430-960



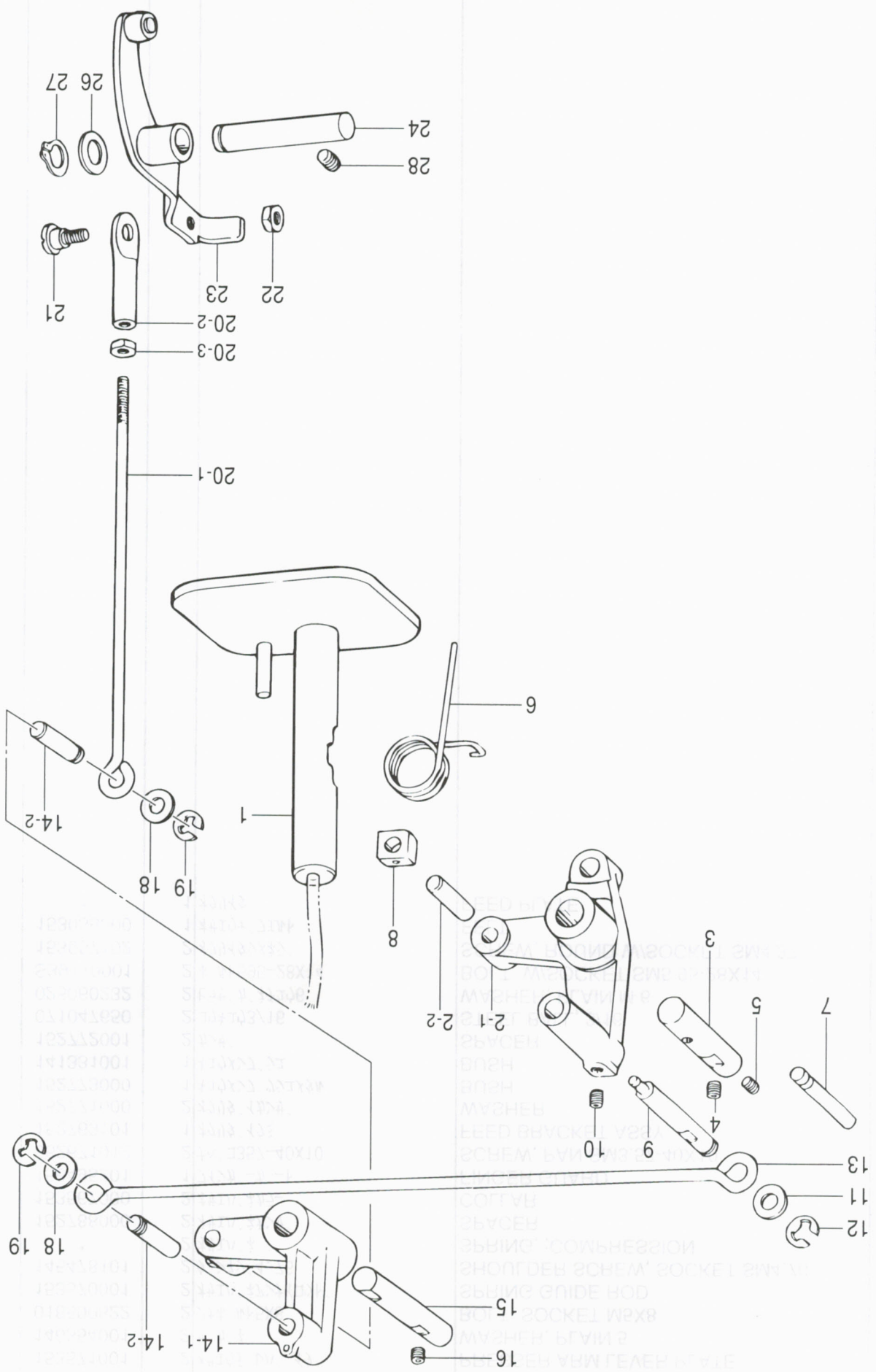
F. 送り関係 / Feed mechanism

| REF.NO | CODE | QTY | 品名 | RM |
|--------|-----------|-----|---------------------------------|----|
| 1 | 152741201 | 1 | TACK LENGTH LEVER ASSY | |
| 1-1 | 152742101 | 1 | TACK LENGTH LEVER | |
| 1-2 | 153041001 | 1 | SLIDE BLOCK ASSY, T-LENGTH | |
| 1-3 | 151602002 | 1 | SET SCREW, SM4.37 | |
| 1-4 | 153924001 | 1 | FELT | |
| 1-5 | 153921001 | 1 | WICK, 4X4 L=150 | |
| 2 | 152745001 | 1 | FEED BUSH | |
| 3 | 014760622 | 1 | SET SCREW, SOCKET SM5.95 | |
| 4 | 153762201 | 1 | T-LENGTH REGULATOR LEVER ASSY | |
| 4-1 | 018082022 | 1 | BOLT, SOCKET M8X20 | |
| 6 | 153047001 | 1 | TACK LENGTH REGULATOR ASSY | |
| 6-1 | 153042001 | 1 | TACK REGULATOR SHAFT ASSY | |
| 6-2-1 | 152752001 | 1 | TACK LENGTH LEVER | |
| 6-2-2 | 153043001 | 1 | FEED CAM ROLLER SHAFT ASSY | |
| 6-2-3 | 014760622 | 1 | SET SCREW, SOCKET SM5.95 | |
| 7 | 152749001 | 1 | WASHER | |
| 8 | 152750001 | 1 | ADJUSTING NUT | |
| 9 | 153045001 | 1 | TACK LENGTH LEVER STOPPER | |
| 10 | 105451002 | 1 | SCREW, SM3.57 | |
| 11 | 152755001 | 1 | TACK LENGTH LEVER SHAFT | |
| 12 | S09132051 | 1 | PINCH SLEEVE ASSY | |
| 12-1 | 018063022 | 1 | BOLT, SOCKET M6X30 | |
| 14 | 152756001 | 1 | WASHER, THRUST 18 | |
| 15 | 048180142 | 1 | RETAINING RING, EXTERNAL C18 | |
| 16 | 152758001 | 1 | TACK WIDTH FEED LEVER | |
| 17 | 152759001 | 1 | TACK WIDTH FEED SHAFT | |
| 18 | 014760622 | 1 | SET SCREW, SOCKET SM5.95 | |
| 19 | 152756001 | 1 | WASHER, THRUST 18 | |
| 20 | 152760051 | 1 | LEVER SHAFT | |
| 21 | 152756001 | 1 | WASHER, THRUST 18 | |
| 22 | 048180142 | 1 | RETAINING RING, EXTERNAL C18 | |
| 23 | 014760622 | 1 | SET SCREW, SOCKET SM5.95 | |
| 24 | 153045001 | 1 | TACK LENGTH LEVER STOPPER | |
| 25 | 105451002 | 1 | SCREW, SM3.57 | |
| 26 | 153048001 | 1 | TACK WIDTH REGULATOR LEVER ASSY | |
| 26-1 | 153042001 | 1 | TACK REGULATOR SHAFT ASSY | |
| 26-2 | 153757001 | 1 | TACK WIDTH ADJUST LEVER ASSY | |
| 26-2-1 | 018082022 | 1 | BOLT, SOCKET M8X20 | |
| 27 | 152749001 | 1 | WASHER | |
| 28 | 152750001 | 1 | ADJUSTING NUT | |
| 30-1 | 153331101 | 1 | TACK WIDTH FEED SHAFT ASSY | |
| 30-2 | 153043001 | 1 | FEED CAM ROLLER SHAFT ASSY | |
| 30-3 | 014760622 | 1 | SET SCREW, SOCKET SM5.95 | |
| 31 | 152745001 | 1 | FEED BUSH | |
| 32 | 014760622 | 1 | SET SCREW, SOCKET SM5.95 | |
| 33 | 152766001 | 1 | FEED BAR GUIDE PLATE | |
| 34 | 145318001 | 8 | SCREW, SM4.37 | |
| 35 | * | 1 | WORK CLAMP ARM ASSY | |
| 35-1 | S49592100 | 1 | WORK CLAMP ARM | |
| 35-2 | 152774001 | 1 | PRESSER ARM LEVER (R) | |
| 35-3 | 152775001 | 1 | PRESSER ARM LEVER (L) | |
| 35-4 | S34839001 | 1 | LEVER SHAFT | |
| 35-5 | 116629001 | 2 | WASHER | |
| 35-6 | 048050342 | 2 | RETAINING RING, E5 | |
| 35-7 | 014760622 | 1 | SET SCREW, SOCKET SM5.95 | |
| 35-8 | * | 1 | WORK CLAMP, U-R | |
| 35-9 | * | 1 | WORK CLAMP, U-L | |
| 35-10 | 152783001 | 2 | WORK CLAMP GUIDE BRACKET, A | |
| 35-11 | 152784001 | 1 | WORK CLAMP GUIDE BRACKET, B | |
| 35-12 | 107038003 | 4 | SCREW, FLAT SM3.57 | |



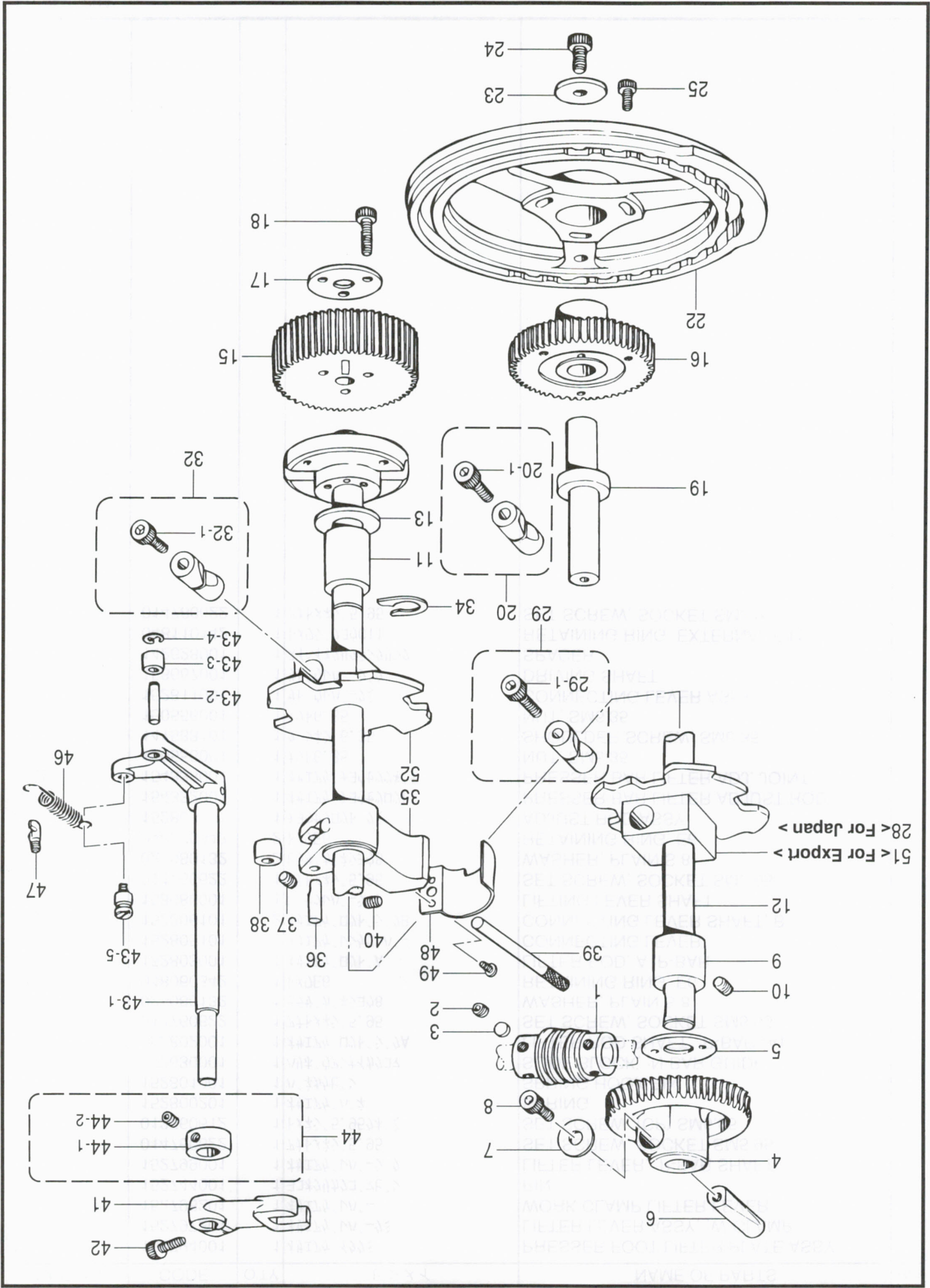
F. 送り関係 / Feed mechanism

| REF.NO | CODE | QTY | 品名 | NAME OF PARTS | RM |
|--------|-----------|-----|--------|-------------------------------|----|
| 35-13 | 153571001 | 2 | 押し棒 | PRESSER ARM LEVER PLATE | |
| 35-14 | 146354001 | 2 | ワッシャー | WASHER, PLAIN 5 | |
| 35-15 | 018500822 | 2 | ボルト | BOLT, SOCKET M5X8 | |
| 35-16 | 153570001 | 2 | 押し棒 | SPRING GUIDE ROD | |
| 35-17 | 145478101 | 2 | ワッシャー | SHOULDER SCREW, SOCKET SM4.76 | |
| 35-18 | * | 2 | ワッシャー | SPRING, COMPRESSION | |
| 35-19 | 152788000 | 2 | ワッシャー | SPACER | |
| 35-20 | 153567000 | 2 | ワッシャー | COLLAR | |
| 35-21 | 156495201 | 1 | フィンガード | FINGER GUARD | |
| 35-22 | 062671012 | 2 | ネジ | SCREW, PAN SM3.57-40X10 | |
| 36 | 152769101 | 1 | ワッシャー | FEED BRACKET ASSY | |
| 36-1 | 152771000 | 2 | ワッシャー | WASHER | |
| 36-2 | 152773000 | 1 | ブッシュ | BUSH | |
| 36-3 | 141331001 | 1 | ブッシュ | BUSH | |
| 37 | 152772001 | 2 | ワッシャー | SPACER | |
| 38 | 071047650 | 2 | ボール | STEEL BALL, 3/16 | |
| 39 | 025060232 | 2 | ワッシャー | WASHER, PLAIN M 6 | |
| 40 | S39110001 | 2 | ボルト | BOLT, W/SOCKET SM5.95-28X14 | |
| 42 | 153057102 | 2 | ワッシャー | SCREW, ROUND W/SOCKET SM4.37 | |
| 43 | 153035000 | 1 | フェルト | FELT | |
| 44 | * | 1 | フィーダー | FEED PLATE | |



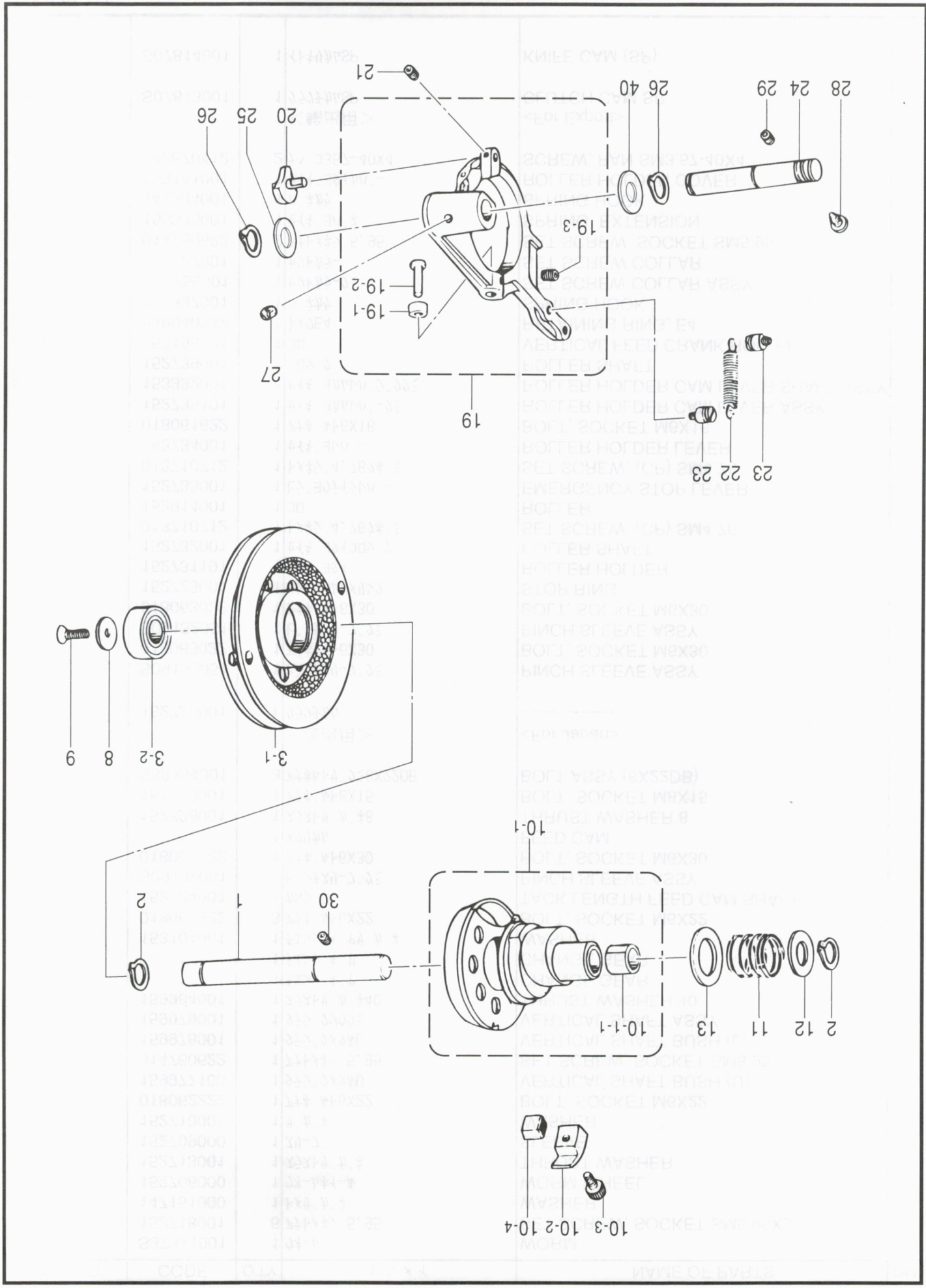
G. 押工上付關係 / Work clamp lifter mechanism

| REF.NO | CODE | QTY | 品名 | NAME OF PARTS | RM |
|--------|-----------|-----|------------|--------------------------------|----|
| 1 | 152794001 | 1 | 押し棒 | PRESSER FOOT LIFTER PLATE ASSY | |
| 2 | 152797201 | 1 | 押し棒 | LIFTER LEVER ASSY; W-CLAMP | |
| 2-1 | 152798201 | 1 | 押し棒 | WORK CLAMP LIFTER LEVER | |
| 2-2 | 152744001 | 1 | コネクティングレバー | PIN | |
| 3 | 152799001 | 1 | 押し棒 | LIFTER LEVER; P-BAR SHAFT | |
| 4 | 014760622 | 1 | ナット | SET SCREW, SOCKET SM5.95 | |
| 5 | 013760612 | 1 | ナット | SET SCREW, (CP) SM5.95 | |
| 6 | 152800201 | 1 | 押し棒 | SPRING | |
| 7 | 152801001 | 1 | スプリングフック | SPRING HOOK PIN | |
| 8 | 102630001 | 1 | ガイド | SLIDE BLOCK; N-BAR GUIDE | |
| 9 | 152802001 | 1 | 押し棒 | LIFTER ROD SHAFT; P-BAR (A) | |
| 10 | 014760622 | 1 | ナット | SET SCREW, SOCKET SM5.95 | |
| 11 | 025080132 | 1 | ワッシャー | WASHER, PLAIN S 8 | |
| 12 | 048060342 | 1 | 押し棒 | RETAINING RING, E6 | |
| 13 | 152803001 | 1 | 押し棒 | LIFTER ROD, A; P-BAR | |
| 14-1 | 152805101 | 1 | 押し棒 | CONNECTING LEVER | |
| 14-2 | 152806101 | 2 | 押し棒 | CONNECTING LEVER SHAFT, B | |
| 15 | 158686001 | 1 | 押し棒 | LIFTING LEVER SHAFT | |
| 16 | 014760622 | 1 | ナット | SET SCREW, SOCKET SM5.95 | |
| 18 | 025080132 | 2 | ワッシャー | WASHER, PLAIN S 8 | |
| 19 | 048060342 | 2 | 押し棒 | RETAINING RING, E6 | |
| 20 | 152808101 | 1 | 押し棒 | ADJUST ROD ASSY | |
| 20-1 | 154332001 | 1 | 押し棒 | PRESSER BAR LIFTER ADJUST ROD | |
| 20-2 | 154333001 | 1 | 押し棒 | PRESSER BAR LIFTER ADJ. JOINT | |
| 20-3 | 150556001 | 1 | ナット | NUT, SM6.35 | |
| 21 | 141583101 | 1 | ナット | SHOULDER SCREW, SM6.35 | |
| 22 | 150556001 | 1 | ナット | NUT, SM6.35 | |
| 23 | 152811001 | 1 | 押し棒 | CONNECTING LEVER ASSY | |
| 24 | 158687001 | 1 | 押し棒 | DRIVING SHAFT | |
| 26 | 142628001 | 1 | 押し棒 | SPACER | |
| 27 | 048110142 | 1 | 押し棒 | RETAINING RING, EXTERNAL C11 | |
| 28 | 014760622 | 1 | ナット | SET SCREW, SOCKET SM5.95 | |



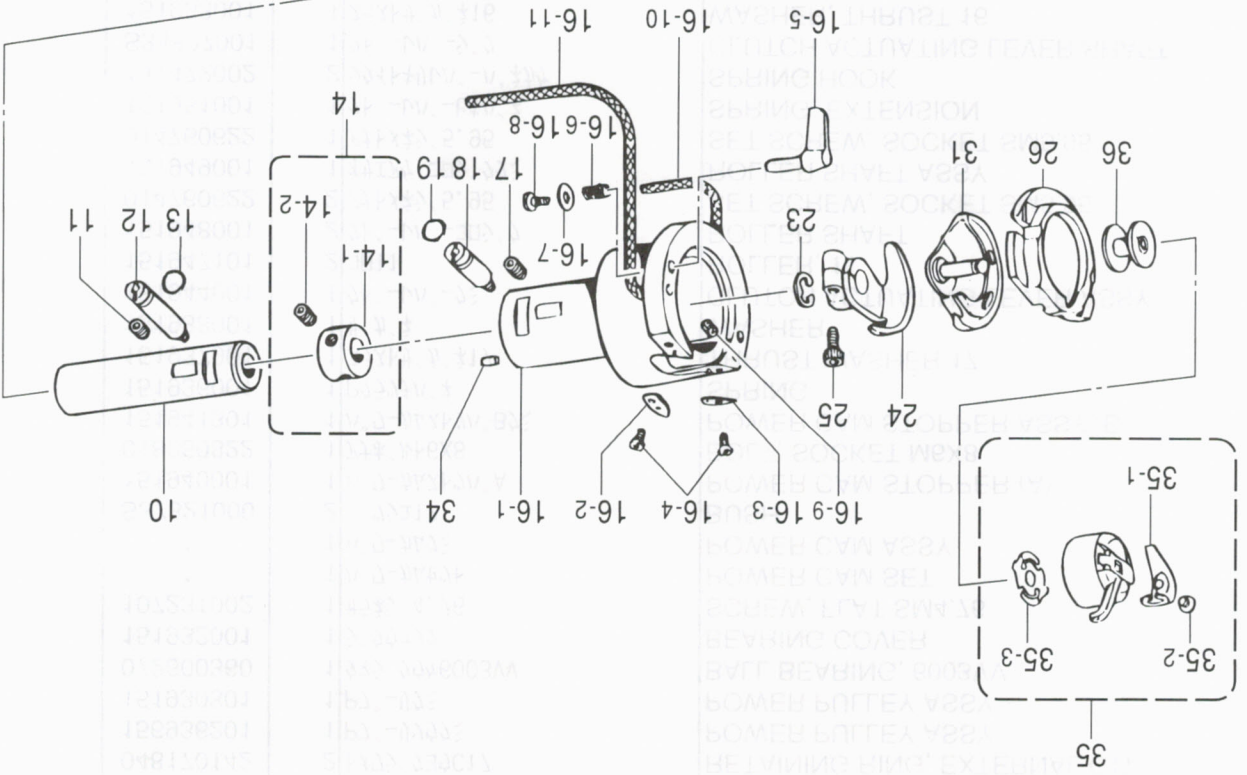
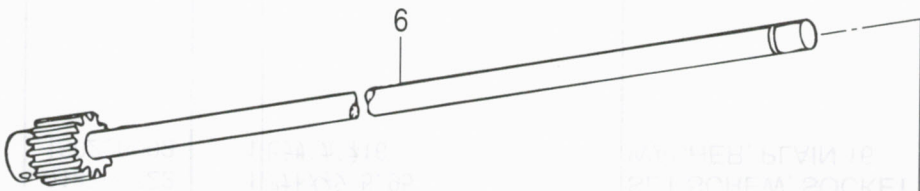
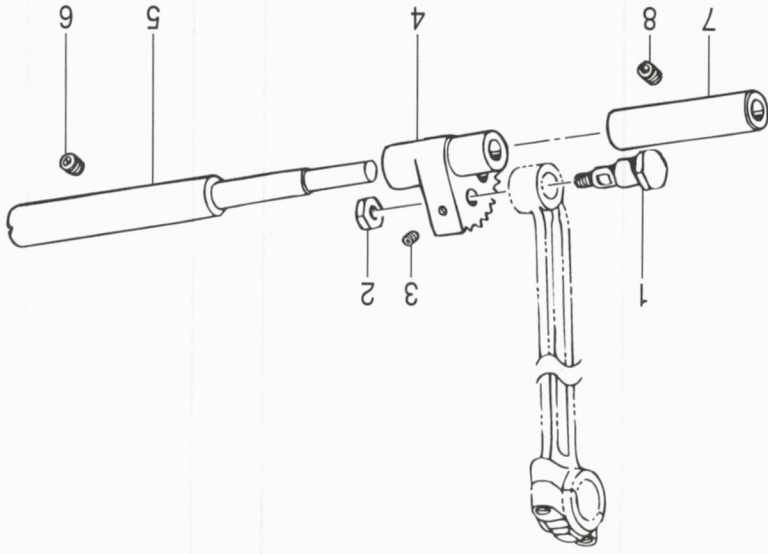
H. 力伝導関係 / Vertical shaft mechanism

| REF.NO | CODE | Q'TY | 品名 | NAME OF PARTS | RM |
|--------|-----------|------|--------------|------------------------------------|----|
| 1 | S37311001 | 1 | ワーム | WORM | |
| 2 | 152718001 | 6 | ワームネジ 5.95 | SET SCREW, SOCKET SM5.95X5 | |
| 3 | 147151000 | 1 | ワームネジ | WASHER | |
| 4 | 152708000 | 1 | ワームホイール | WORM WHEEL | |
| 5 | 152713001 | 1 | ワームネジ | THRUST WASHER | |
| 6 | 152709000 | 1 | ワーム | SLEEVE | |
| 7 | 152710001 | 1 | ワーム | WASHER | |
| 8 | 018062222 | 1 | ワームネジ 6X22 | BOLT, SOCKET M6X22 | |
| 9 | 159977100 | 1 | ワームネジ 6X10 | VERTICAL SHAFT BUSH (U) | |
| 10 | 014760622 | 1 | ワームネジ 5.95 | SET SCREW, SOCKET SM5.95 | |
| 11 | 159978001 | 1 | ワームネジ 6X10 | VERTICAL SHAFT BUSH (L) | |
| 12 | 159979001 | 1 | ワームネジ 6X10 | VERTICAL SHAFT ASSY | |
| 13 | 159984001 | 1 | ワームネジ 6X40 | THRUST WASHER 40 | |
| 15 | * | 1 | ワームネジ | CHANGE GEAR | |
| 16 | * | 1 | ワームネジ | CHANGE GEAR | |
| 17 | 153104001 | 1 | ワームネジ 6X40 | WASHER | |
| 18 | 018062222 | 3 | ワームネジ 6X22 | BOLT, SOCKET M6X22 | |
| 19 | 152724001 | 1 | ワーム | TACK LENGTH FEED CAM SHAFT | |
| 20 | S09132051 | 1 | ワーム | PINCH SLEEVE ASSY | |
| 20-1 | 018063022 | 1 | ワームネジ 6X30 | BOLT, SOCKET M6X30 | |
| 22 | * | 1 | ワーム | FEED CAM | |
| 23 | 152728001 | 1 | ワームネジ 6X8 | THRUST WASHER 8 | |
| 24 | 151163001 | 1 | ワームネジ 8X15 | BOLT, SOCKET M8X15 | |
| 25 | S38334001 | 3 | ワームネジ 6X22DB | BOLT ASSY (6X22DB) | |
| 28 | 152729001 | 1 | ワーム | <For Japan> | |
| 29 | S09132051 | 1 | ワーム | PINCH SLEEVE ASSY | |
| 29-1 | 018063022 | 1 | ワームネジ 6X30 | BOLT, SOCKET M6X30 | |
| 32 | S09132051 | 1 | ワーム | PINCH SLEEVE ASSY | |
| 32-1 | 018063022 | 1 | ワームネジ 6X30 | BOLT, SOCKET M6X30 | |
| 34 | 152723001 | 1 | ワーム | STOP RING | |
| 35 | 152731101 | 1 | ワーム | ROLLER HOLDER | |
| 36 | 152732001 | 1 | ワーム | ROLLER SHAFT | |
| 37 | 013710712 | 1 | ワームネジ 4.76 | SET SCREW, (CP) SM4.76 | |
| 38 | 152914001 | 1 | ワーム | ROLLER | |
| 39 | 152733001 | 1 | ワーム | EMERGENCY STOP LEVER | |
| 40 | 013710712 | 1 | ワームネジ 4.76 | SET SCREW, (CP) SM4.76 | |
| 41 | 152734001 | 1 | ワーム | ROLLER HOLDER LEVER | |
| 42 | 018061622 | 1 | ワームネジ 6X16 | BOLT, SOCKET M6X16 | |
| 43 | 152735101 | 1 | ワーム | ROLLER HOLDER CAM LEVER ASSY | |
| 43-1 | 153332001 | 1 | ワーム | ROLLER HOLDER CAM LEVER SHAFT ASSY | |
| 43-2 | 152739001 | 1 | ワーム | ROLLER SHAFT | |
| 43-3 | 153195001 | 1 | ワーム | VERTICAL FEED CRANK ROLLER | |
| 43-4 | 048040342 | 1 | ワーム | RETAINING RING, E4 | |
| 43-5 | 155337001 | 1 | ワーム | SPRING HOOK | |
| 44 | S21755001 | 1 | ワーム | SET SCREW COLLAR ASSY | |
| 44-1 | 110027001 | 1 | ワーム | SET SCREW COLLAR | |
| 44-2 | 014760622 | 2 | ワームネジ 5.95 | SET SCREW, SOCKET SM5.95 | |
| 46 | 155336001 | 1 | ワーム | SPRING, EXTENSION | |
| 47 | 141334001 | 1 | ワーム | SPRING HOOK | |
| 48 | 153141001 | 1 | ワーム | ROLLER HOLDER COVER | |
| 49 | 062670412 | 2 | ワーム | SCREW, PAN SM3.57-40X4 | |
| 51 | S07813001 | 1 | <輸出用> | <For Export> CLUTCH CAM SP | |
| 52 | S07814001 | 1 | ワーム | KNIFE CAM (SP) | |



J. 1/2"一抽工關係 / Power lift mechanism

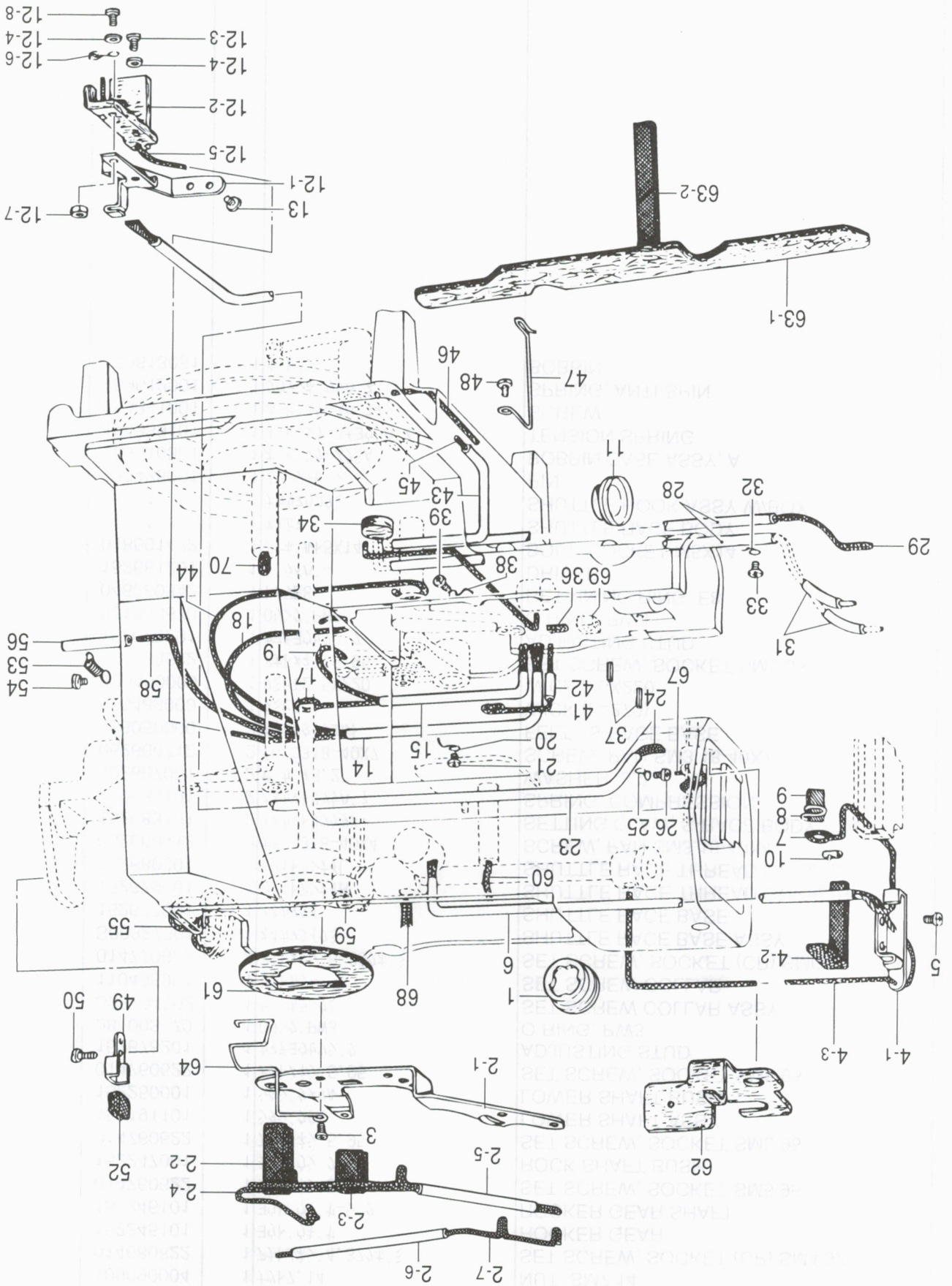
| REF.NO | CODE | QTY | 品名 | NAME OF PARTS | RM |
|--------|-----------|-----|---------------|-------------------------------|----|
| 1 | 151928001 | 1 | P7-117 | POWER PULLEY SHAFT | |
| 2 | 048170142 | 2 | トキ7: 737C17 | RETAINING RING, EXTERNAL C17 | |
| 3 | 156936201 | 1 | P7-117 | POWER PULLEY ASSY | |
| 3-1 | 151930301 | 1 | P7-117 | POWER PULLEY ASSY | |
| 3-2 | 072600360 | 1 | トキ7: 7476003W | BALL BEARING, 6003W | |
| 8 | 151932001 | 1 | トキ7: 7477 | BEARING COVER | |
| 9 | 107231002 | 1 | トキ7: 4.76 | SCREW, FLAT SM4.76 | |
| 10 | * | 1 | 1A-7-747 | POWER CAM SET | |
| 10-1 | * | 1 | 1A-7-747 | POWER CAM ASSY | |
| 10-1-1 | S37321000 | 2 | 7: 747 | BUSH | |
| 10-2 | 151940001 | 1 | 1A-7-747 | POWER CAM STOPPER (A) | |
| 10-3 | 018060822 | 1 | トキ7: M6X8 | BOLT, SOCKET M6X8 | |
| 10-4 | 151941301 | 1 | 1A-7-747 | POWER CAM STOPPER ASSY, B | |
| 11 | 151936001 | 1 | P7: 747 | SPRING | |
| 12 | 151937001 | 1 | トキ7: 747 | THRUST WASHER 17 | |
| 13 | 151938001 | 1 | トキ7: 747 | WASHER | |
| 19 | 151944001 | 1 | トキ7-117 | CLUTCH ACTUATING LEVER ASSY | |
| 19-1 | 151947101 | 2 | 11 | ROLLER, 11 | |
| 19-2 | 151948001 | 2 | トキ7-117 | ROLLER SHAFT | |
| 19-3 | 014760622 | 2 | トキ7: 747 | SET SCREW, SOCKET SM5.95 | |
| 20 | 151949001 | 1 | トキ7: 747 | ROLLER SHAFT ASSY | |
| 21 | 014760622 | 1 | トキ7: 747 | SET SCREW, SOCKET SM5.95 | |
| 22 | 151951001 | 1 | トキ7-117 | SPRING, EXTENSION | |
| 23 | 141472002 | 2 | トキ7: 747 | SPRING HOOK | |
| 24 | S34827001 | 1 | トキ7-117 | CLUTCH ACTUATING LEVER SHAFT | |
| 25 | 151953001 | 1 | トキ7: 747 | WASHER, THRUST 16 | |
| 26 | 048160142 | 2 | トキ7: 747C16 | RETAINING RING, EXTERNAL C16 | |
| 27 | 107149001 | 1 | 117 | FELT | |
| 28 | 151954001 | 1 | トキ7: 747 | SCREW | |
| 29 | 014821022 | 1 | トキ7: 747 | SET SCREW, SOCKET (CP) SM7.94 | |
| 30 | 014760622 | 1 | トキ7: 747 | SET SCREW, SOCKET SM5.95 | |
| 40 | 150206002 | 1 | トキ7: 747 | WASHER, PLAIN 16 | |



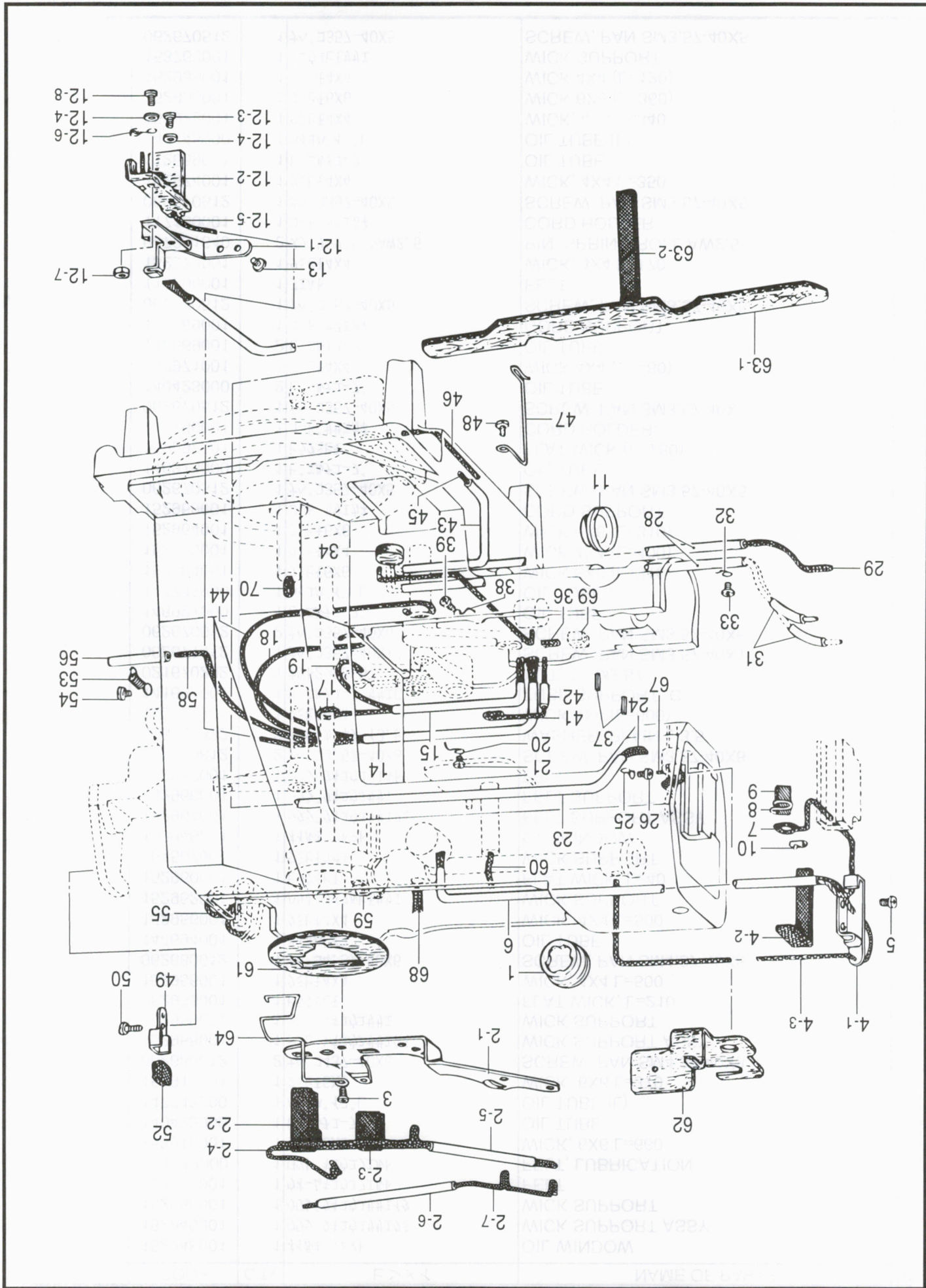
K. 下軸関係 / Lower shaft mechanism

K. 下軸関係 / Lower shaft mechanism

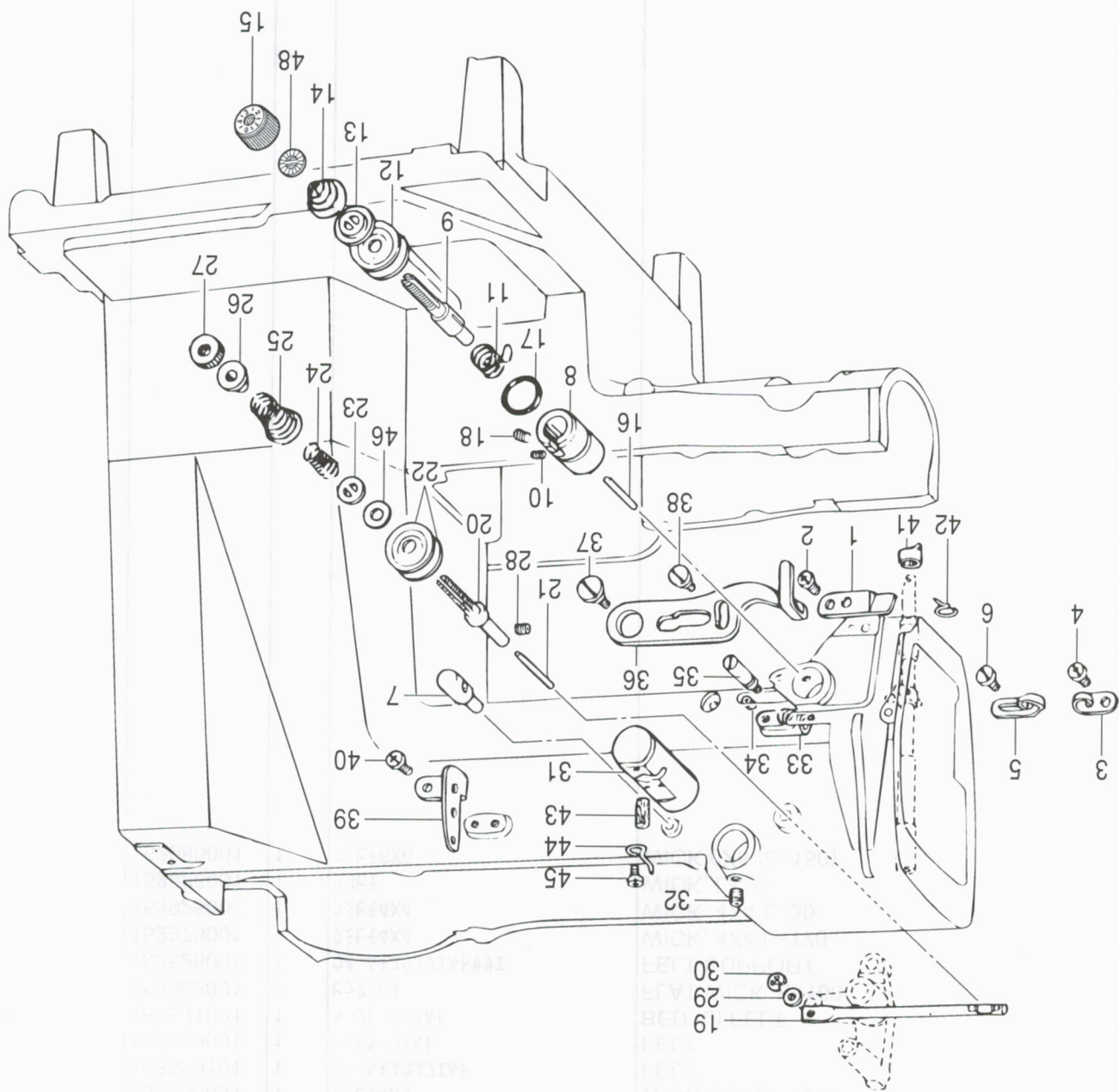
| REF.NO | CODE | QTY | 品名 | RM |
|--------|-----------|-----|-------------------------------|----|
| 1 | 141786001 | 1 | SHOULDER SCREW, :CRANK ROD | |
| 2 | 100090004 | 1 | NUT, SM7.14 | |
| 3 | 014680622 | 1 | SET SCREW, SOCKET (CP) SM4.37 | |
| 4 | 152245101 | 1 | ROCKER GEAR | |
| 5 | 152246101 | 1 | ROCKER GEAR SHAFT | |
| 6 | 014760622 | 1 | SET SCREW, SOCKET SM5.95 | |
| 7 | 152247001 | 1 | ROCK SHAFT BUSH | |
| 8 | 014760622 | 1 | SET SCREW, SOCKET SM5.95 | |
| 9 | 152191101 | 1 | LOWER SHAFT ASSY | |
| 10 | 152250001 | 1 | LOWER SHAFT BUSH | |
| 11 | 014760622 | 1 | SET SCREW, SOCKET SM5.95 | |
| 12 | 152678201 | 1 | ADJUSTING STUD | |
| 13 | 081003670 | 1 | O RING, PW3 | |
| 14 | S03704002 | 1 | SET SCREW COLLAR ASSY | |
| 14-1 | 110495001 | 1 | SET SCREW COLLAR | |
| 14-2 | 014770622 | 2 | SET SCREW, SOCKET (CP) SM6.35 | |
| 16 | S00327301 | 1 | SHUTTLE RACE BASE ASSY | |
| 16-1 | 152677001 | 1 | SHUTTLE RACE BASE | |
| 16-2 | 152679001 | 1 | SHUTTLE RACE THREAD GUIDE (R) | |
| 16-3 | 152680001 | 1 | SHUTTLE RACE THREAD GUIDE (L) | |
| 16-4 | 062660412 | 2 | SCREW, PAN SM3.18-40X4 | |
| 16-5 | 152683101 | 2 | SETTING CLAW, S-RACE BODY | |
| 16-6 | 152684101 | 2 | SPRING, COMPRESSION | |
| 16-7 | 402887001 | 2 | WASHER, 3.2 | |
| 16-8 | 062660712 | 2 | SCREW, PAN SM3.18-40X7 | |
| 16-9 | 153050000 | 2 | FELT, S-RACE BASE | |
| 16-10 | 155489000 | 1 | WICK (L=270) | |
| 16-11 | S00400000 | 1 | WICK 2.5X220 | |
| 17 | 014760622 | 1 | SET SCREW, SOCKET SM5.95 | |
| 18 | 152678201 | 1 | ADJUSTING STUD | |
| 19 | 081003670 | 1 | O RING, PW3 | |
| 23 | 048080342 | 1 | RETAINING RING, E8 | |
| 24 | 152681201 | 1 | DRIVER | |
| 25 | 018501422 | 1 | BOLT, SOCKET M5X14 | |
| 26 | * | 1 | SHUTTLE RACE BODY | |
| 31 | * | 1 | SHUTTLE HOOK ASSY W/BOX | |
| 34 | 120438001 | 1 | PIN | |
| 35 | 159610301 | 1 | BOBBIN CASE ASSY, A | |
| 35-1 | 154339101 | 1 | TENSION SPRING | |
| 35-2 | 154341001 | 1 | SCREW | |
| 35-3 | 159612001 | 1 | SPRING, ANTI-SPIN | |
| 36 | 159613051 | 1 | BOBBIN | |



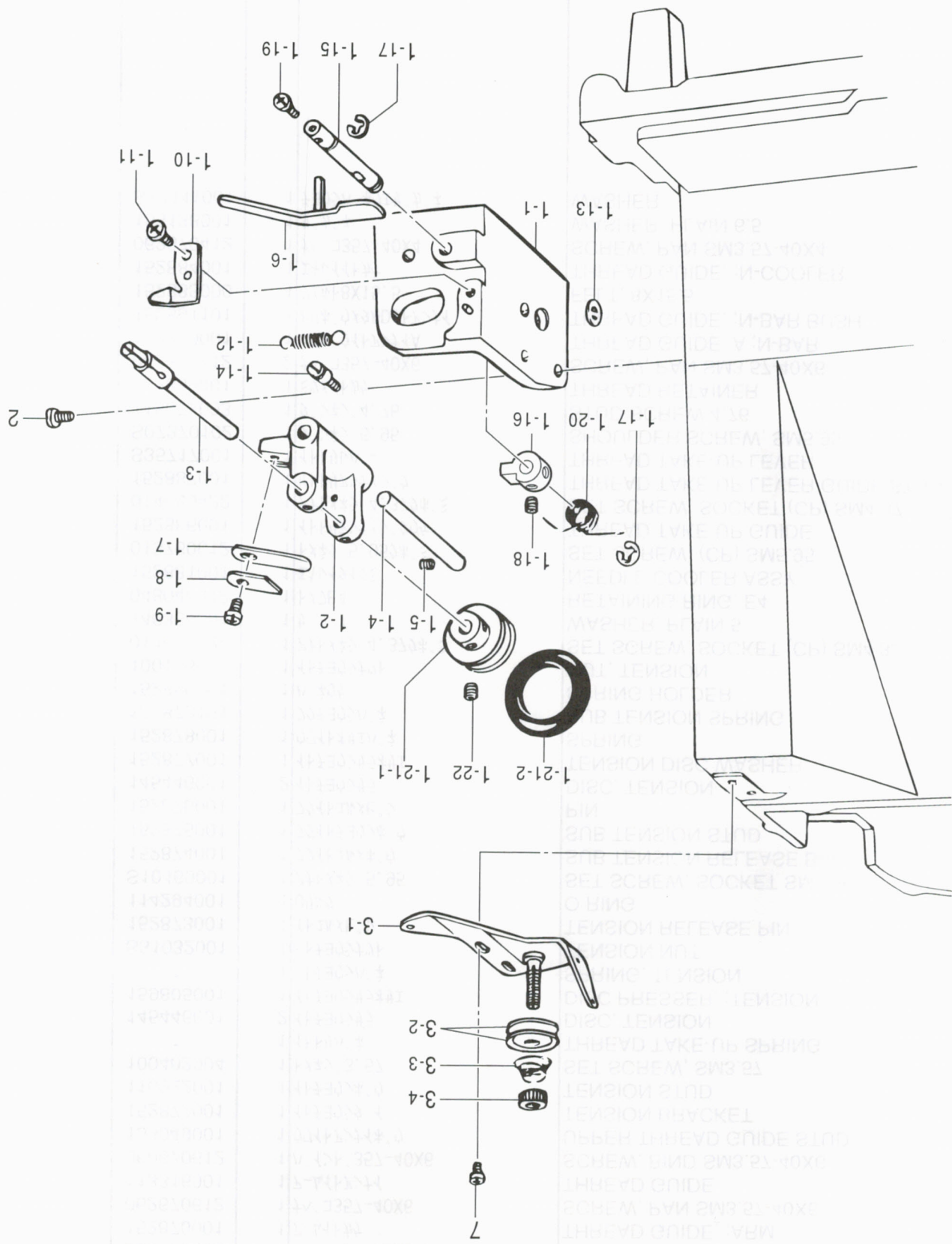
| REF.NO | CODE | Q'TY | 品名 | NAME OF PARTS | RM |
|--------|------------|------|-------|-------------------------|----|
| 1 | 152948001 | 1 | オイル窓 | OIL WINDOW | |
| 2 | 152949001 | 1 | ワッシャー | WICK SUPPORT ASSY | |
| 2-1 | 152950001 | 1 | ワッシャー | WICK SUPPORT | |
| 2-2 | 152951001 | 1 | ワッシャー | FELT | |
| 2-3-1 | S41213000 | 1 | オイル窓 | FELT, LUBRICATION | |
| 2-4 | 153918001 | 1 | ワッシャー | WICK, 6X6 L=660 | |
| 2-5 | 140423000 | 1 | オイル管 | OIL TUBE | |
| 2-6 | 147745000 | 1 | オイル管 | OIL TUBE (L) | |
| 2-7 | 153919001 | 2 | ワッシャー | WICK, 6X6 L=370 | |
| 3 | 062680812 | 2 | ワッシャー | SCREW, PAN SM4.37-40X8 | |
| 4 | 152958001 | 1 | ワッシャー | WICK SUPPORT ASSY | |
| 4-1 | 152959001 | 1 | ワッシャー | WICK SUPPORT | |
| 4-2 | 152955001 | 1 | ワッシャー | FLAT WICK, L=210 | |
| 4-3 | 152956001 | 1 | ワッシャー | WICK, 4X4 L=500 | |
| 5 | 062680612 | 1 | ワッシャー | SCREW, PAN SM4.37-40X6 | |
| 6 | 144694001 | 1 | オイル管 | OIL TUBE | |
| 7 | 152956001 | 1 | ワッシャー | WICK, 4X4 L=500 | |
| 8 | 152962001 | 1 | ワッシャー | WICK SUPPORT | |
| 9 | 152960001 | 1 | ワッシャー | FLAT WICK, L=40 | |
| 10 | 104567001 | 1 | ワッシャー | WICK SUPPORT | |
| 11 | 152948001 | 1 | オイル窓 | OIL WINDOW | |
| 12 | 152961001 | 1 | ワッシャー | FELT SUPPORT ASSY | |
| 12-1 | 1529666001 | 1 | ワッシャー | FELT SUPPORT | |
| 12-2 | 152967001 | 1 | ワッシャー | FELT | |
| 12-3 | 062670812 | 2 | ワッシャー | SCREW, PAN SM3.57-40X8 | |
| 12-4 | 025350332 | 3 | ワッシャー | WASHER, PLAIN L 3.5 | |
| 12-5 | 152963001 | 1 | ワッシャー | WICK 4X4 (L=600) | |
| 12-6 | 141692001 | 1 | ワッシャー | TUBE SUPPORT, C | |
| 12-7 | 021670202 | 1 | ワッシャー | NUT, 2 SM3.57 | |
| 12-8 | 062671412 | 1 | ワッシャー | SCREW, PAN SM3.57-40X14 | |
| 13 | 062670612 | 2 | ワッシャー | SCREW, PAN SM3.57-40X6 | |
| 14 | 148921000 | 1 | オイル管 | OIL TUBE | |
| 15 | 147745000 | 1 | オイル管 | OIL TUBE (L) | |
| 17 | 152964001 | 1 | ワッシャー | WICK 6X6 (L=310) | |
| 18 | 152965001 | 1 | ワッシャー | WICK 4X4 (L=400) | |
| 19 | 152964001 | 1 | ワッシャー | WICK 6X6 (L=310) | |
| 20 | 152969001 | 1 | ワッシャー | CORD SUPPORT | |
| 21 | 062670512 | 1 | ワッシャー | SCREW, PAN SM3.57-40X5 | |
| 23 | 146375000 | 1 | ワッシャー | OIL TUBE | |
| 24 | 152992001 | 1 | ワッシャー | FLAT WICK (L=760) | |
| 25 | 117150001 | 1 | ワッシャー | CORD HOLDER | |
| 26 | 062670512 | 1 | ワッシャー | SCREW, PAN SM3.57-40X5 | |
| 28 | 140423000 | 2 | オイル管 | OIL TUBE | |
| 29 | 152971001 | 1 | ワッシャー | WICK 4X4 (L=480) | |
| 31 | 112669001 | 2 | オイル管 | OIL TUBE | |
| 32 | 152969001 | 1 | ワッシャー | CORD SUPPORT | |
| 33 | 062670512 | 1 | ワッシャー | SCREW, PAN SM3.57-40X5 | |
| 34 | 113006001 | 1 | ワッシャー | FELT | |
| 36 | 152973001 | 1 | ワッシャー | WICK, 4X4 L=170 | |
| 37 | 047251640 | 2 | ワッシャー | PIN, SPRING ROLL AW2.5 | |
| 38 | 117150001 | 1 | ワッシャー | CORD HOLDER | |
| 39 | 062670512 | 1 | ワッシャー | SCREW, PAN SM3.57-40X5 | |
| 41 | 152974001 | 1 | ワッシャー | WICK, 4X4 L=350 | |
| 42 | 112669001 | 1 | オイル管 | OIL TUBE | |
| 43 | 147745000 | 1 | オイル管 | OIL TUBE (L) | |
| 44 | 153922001 | 1 | ワッシャー | WICK, 4X4 L=340 | |
| 45 | 152953001 | 1 | ワッシャー | WICK 6X6 (L=360) | |
| 46 | 152985001 | 1 | ワッシャー | WICK 4X4 (L=120) | |
| 47 | 153763001 | 1 | ワッシャー | WICK SUPPORT | |
| 48 | 062670512 | 1 | ワッシャー | SCREW, PAN SM3.57-40X5 | |



| REF.NO | CODE | QTY | 品名 | NAME OF PARTS | RM |
|--------|-----------|-----|-----------------|------------------------|----|
| 49 | 152976001 | 1 | ※-Mキ17LLEI#I | WICK SUPPORT | |
| 50 | 062670512 | 2 | フゝJ357-40X5 | SCREW, PAN SM3.57-40X5 | |
| 52 | 152977001 | 1 | レ77レE | FLAT WICK (L=50) | |
| 53 | 152978001 | 1 | キ1-7'キ#I | TUBE SUPPORT | |
| 54 | 062680812 | 1 | フゝJ437-40X8 | SCREW, PAN SM4.37-40X8 | |
| 55 | 153927001 | 1 | 7レE6X6 | WICK, 6X6 L=180 | |
| 56 | 112669001 | 1 | レゝニフ1-7' | OIL TUBE | |
| 58 | 153922001 | 1 | 7レE4X4 | WICK, 4X4 L=340 | |
| 59 | 107149001 | 1 | 7IMト | FELT | |
| 60 | 152968801 | 1 | 7レE4X4 | WICK 4X4 (L=100) | |
| 61 | 153529101 | 1 | ※1-Mキ17L7IMト | FELT | |
| 62 | 153530001 | 1 | ス177'7IMト | FELT | |
| 63-1 | 153531001 | 1 | ゝ77'7IMト | BED (L) FELT | |
| 63-2 | 153562001 | 1 | レ77レE | FLAT WICK, L=160 | |
| 64 | 153528001 | 1 | 77'-Aキ17L7IMト#I | FELT SUPPORT | |
| 67 | 152973001 | 1 | 7レE4X4 | WICK, 4X4 L=170 | |
| 68 | 153925001 | 1 | 7レE4X4 | WICK, 4X4 L=30 | |
| 69 | 153926001 | 1 | キ7E | WICK, L=10 | |
| 70 | 152980001 | 1 | 7レE6X6 | WICK 6X6 (L=150) | |



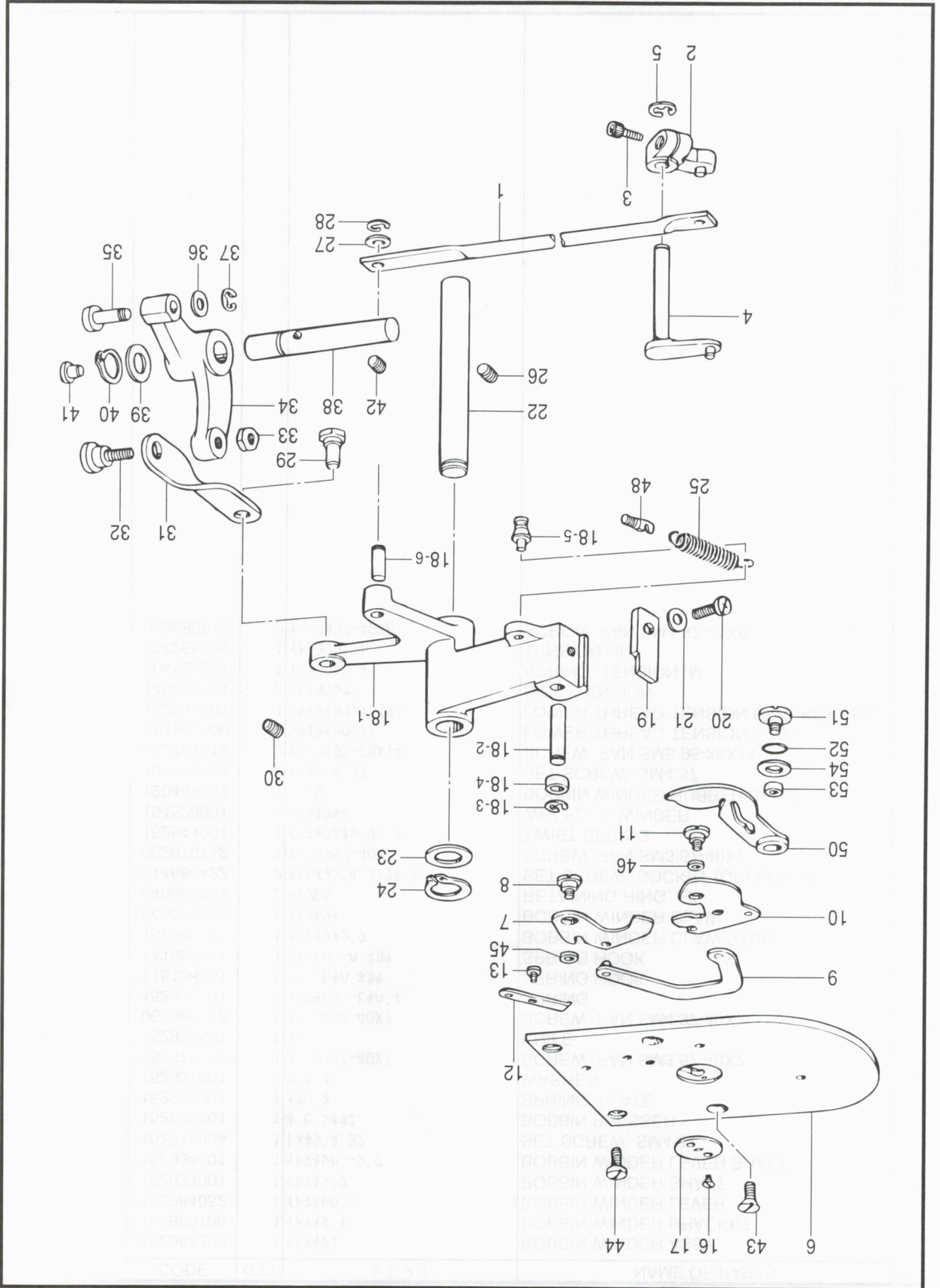
| REF.NO | CODE | QTY | 品名 | RM |
|--------|-----------|-----|----------------------|----|
| 1 | 152869001 | 1 | 7-61131 糸通しガイド, ARM | |
| 2 | 062710612 | 1 | 7-61131 7-61131 32X6 | |
| 3 | 152870001 | 1 | 7-61131 糸通しガイド, ARM | |
| 4 | 062670612 | 1 | 7-61131 7-61131 40X6 | |
| 5 | 113316001 | 1 | 7-61131 糸通しガイド | |
| 6 | 060670612 | 1 | 7-61131 7-61131 40X6 | |
| 7 | 153049001 | 1 | 7-61131 7-61131 40X6 | |
| 8 | 152872001 | 1 | 7-61131 7-61131 40X6 | |
| 9 | 116922001 | 1 | 7-61131 7-61131 40X6 | |
| 10 | 100402004 | 1 | 7-61131 7-61131 40X6 | |
| 11 | 145446001 | 2 | 7-61131 7-61131 40X6 | |
| 12 | 145446001 | 2 | 7-61131 7-61131 40X6 | |
| 13 | 159805001 | 1 | 7-61131 7-61131 40X6 | |
| 14 | * | 1 | 7-61131 7-61131 40X6 | |
| 15 | S31032001 | 1 | 7-61131 7-61131 40X6 | |
| 16 | 152873001 | 1 | 7-61131 7-61131 40X6 | |
| 17 | 114294001 | 1 | 7-61131 7-61131 40X6 | |
| 18 | S10469001 | 1 | 7-61131 7-61131 40X6 | |
| 19 | 152874001 | 1 | 7-61131 7-61131 40X6 | |
| 20 | 152875001 | 1 | 7-61131 7-61131 40X6 | |
| 21 | 152876001 | 1 | 7-61131 7-61131 40X6 | |
| 22 | 145446001 | 2 | 7-61131 7-61131 40X6 | |
| 23 | 152877001 | 1 | 7-61131 7-61131 40X6 | |
| 24 | 152878001 | 1 | 7-61131 7-61131 40X6 | |
| 25 | 152879101 | 1 | 7-61131 7-61131 40X6 | |
| 26 | 152880001 | 1 | 7-61131 7-61131 40X6 | |
| 27 | 100136001 | 1 | 7-61131 7-61131 40X6 | |
| 28 | 014680422 | 1 | 7-61131 7-61131 40X6 | |
| 29 | 146354001 | 1 | 7-61131 7-61131 40X6 | |
| 30 | 048040342 | 1 | 7-61131 7-61131 40X6 | |
| 31 | 152881001 | 1 | 7-61131 7-61131 40X6 | |
| 32 | 013760612 | 1 | 7-61131 7-61131 40X6 | |
| 33 | 152886001 | 1 | 7-61131 7-61131 40X6 | |
| 34 | 014680422 | 1 | 7-61131 7-61131 40X6 | |
| 35 | 152887001 | 1 | 7-61131 7-61131 40X6 | |
| 36 | S35717001 | 1 | 7-61131 7-61131 40X6 | |
| 37 | S07370102 | 1 | 7-61131 7-61131 40X6 | |
| 38 | 115077003 | 1 | 7-61131 7-61131 40X6 | |
| 39 | 152889001 | 1 | 7-61131 7-61131 40X6 | |
| 40 | 062670612 | 2 | 7-61131 7-61131 40X6 | |
| 41 | 152890001 | 1 | 7-61131 7-61131 40X6 | |
| 42 | 152891101 | 1 | 7-61131 7-61131 40X6 | |
| 43 | 152883000 | 1 | 7-61131 7-61131 40X6 | |
| 44 | 152884001 | 1 | 7-61131 7-61131 40X6 | |
| 45 | 062670412 | 1 | 7-61131 7-61131 40X6 | |
| 46 | 153138001 | 1 | 7-61131 7-61131 40X6 | |
| 48 | S12441001 | 1 | 7-61131 7-61131 40X6 | |
| 1 | | | 7-61131 糸通しガイド, ARM | |
| 2 | 062710612 | 1 | 7-61131 7-61131 32X6 | |
| 3 | 152870001 | 1 | 7-61131 糸通しガイド, ARM | |
| 4 | 062670612 | 1 | 7-61131 7-61131 40X6 | |
| 5 | 113316001 | 1 | 7-61131 糸通しガイド | |
| 6 | 060670612 | 1 | 7-61131 7-61131 40X6 | |
| 7 | 153049001 | 1 | 7-61131 7-61131 40X6 | |
| 8 | 152872001 | 1 | 7-61131 7-61131 40X6 | |
| 9 | 116922001 | 1 | 7-61131 7-61131 40X6 | |
| 10 | 100402004 | 1 | 7-61131 7-61131 40X6 | |
| 11 | 145446001 | 2 | 7-61131 7-61131 40X6 | |
| 12 | 145446001 | 2 | 7-61131 7-61131 40X6 | |
| 13 | 159805001 | 1 | 7-61131 7-61131 40X6 | |
| 14 | * | 1 | 7-61131 7-61131 40X6 | |
| 15 | S31032001 | 1 | 7-61131 7-61131 40X6 | |
| 16 | 152873001 | 1 | 7-61131 7-61131 40X6 | |
| 17 | 114294001 | 1 | 7-61131 7-61131 40X6 | |
| 18 | S10469001 | 1 | 7-61131 7-61131 40X6 | |
| 19 | 152874001 | 1 | 7-61131 7-61131 40X6 | |
| 20 | 152875001 | 1 | 7-61131 7-61131 40X6 | |
| 21 | 152876001 | 1 | 7-61131 7-61131 40X6 | |
| 22 | 145446001 | 2 | 7-61131 7-61131 40X6 | |
| 23 | 152877001 | 1 | 7-61131 7-61131 40X6 | |
| 24 | 152878001 | 1 | 7-61131 7-61131 40X6 | |
| 25 | 152879101 | 1 | 7-61131 7-61131 40X6 | |
| 26 | 152880001 | 1 | 7-61131 7-61131 40X6 | |
| 27 | 100136001 | 1 | 7-61131 7-61131 40X6 | |
| 28 | 014680422 | 1 | 7-61131 7-61131 40X6 | |
| 29 | 146354001 | 1 | 7-61131 7-61131 40X6 | |
| 30 | 048040342 | 1 | 7-61131 7-61131 40X6 | |
| 31 | 152881001 | 1 | 7-61131 7-61131 40X6 | |
| 32 | 013760612 | 1 | 7-61131 7-61131 40X6 | |
| 33 | 152886001 | 1 | 7-61131 7-61131 40X6 | |
| 34 | 014680422 | 1 | 7-61131 7-61131 40X6 | |
| 35 | 152887001 | 1 | 7-61131 7-61131 40X6 | |
| 36 | S35717001 | 1 | 7-61131 7-61131 40X6 | |
| 37 | S07370102 | 1 | 7-61131 7-61131 40X6 | |
| 38 | 115077003 | 1 | 7-61131 7-61131 40X6 | |
| 39 | 152889001 | 1 | 7-61131 7-61131 40X6 | |
| 40 | 062670612 | 2 | 7-61131 7-61131 40X6 | |
| 41 | 152890001 | 1 | 7-61131 7-61131 40X6 | |
| 42 | 152891101 | 1 | 7-61131 7-61131 40X6 | |
| 43 | 152883000 | 1 | 7-61131 7-61131 40X6 | |
| 44 | 152884001 | 1 | 7-61131 7-61131 40X6 | |
| 45 | 062670412 | 1 | 7-61131 7-61131 40X6 | |
| 46 | 153138001 | 1 | 7-61131 7-61131 40X6 | |
| 48 | S12441001 | 1 | 7-61131 7-61131 40X6 | |



N. 糸巻機 / Bobbin winder mechanism

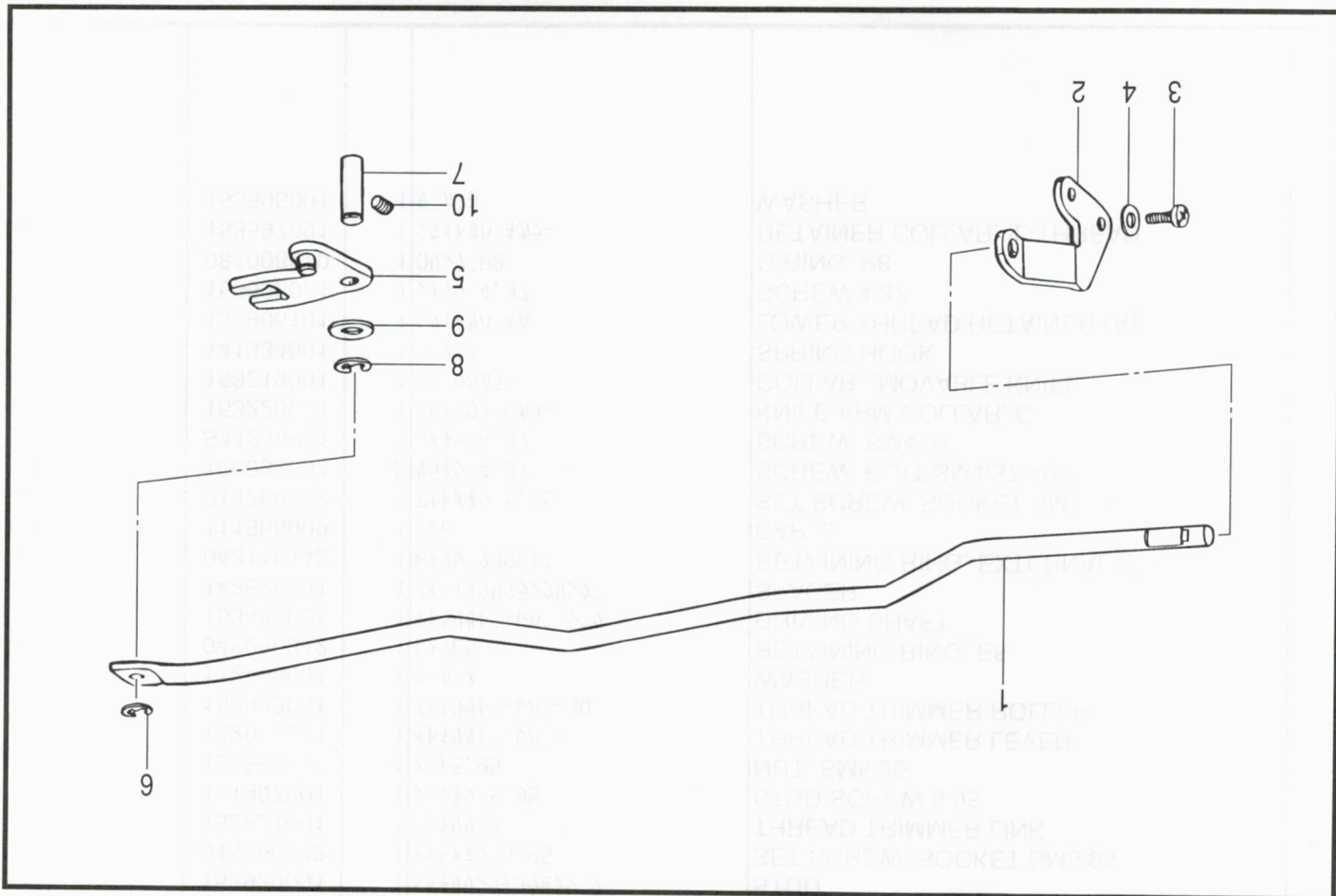
masinero m pibent / 糸巻機

| REF.NO | CODE | QTY | 品名 | RM |
|--------|-----------|-----|-------------------------|----|
| 1 | 152982209 | 1 | ボビンウイダアサ | |
| 1-1 | 152983109 | 1 | ボビンウイダブラケツ | |
| 1-2 | 152984052 | 1 | ボビンウイダレバ | |
| 1-3 | 152933001 | 1 | ボビンウイダシャフ | |
| 1-4 | 152934001 | 1 | ボビンウイダレバシャフ | |
| 1-5 | 102716004 | 1 | セツスクレウ, SM4.37 | |
| 1-6 | 152935001 | 1 | ボビンプレスア | |
| 1-7 | 152936001 | 1 | ボビンプレツ | |
| 1-8 | 152937001 | 1 | ワシア | |
| 1-9 | 062670712 | 1 | スクレウ, PAN SM3.57-40X7 | |
| 1-10 | 152938001 | 1 | ナイフ | |
| 1-11 | 062680712 | 1 | スクレウ, PAN SM4.37-40X7 | |
| 1-12 | 152939001 | 1 | スプリング | |
| 1-13 | 115138001 | 1 | スプリングフック | |
| 1-14 | 141550001 | 1 | スプリングフック | |
| 1-15 | 152940001 | 1 | ボビンウイダクワスタツ | |
| 1-16 | S09668001 | 1 | ボビンウイダクワ | |
| 1-17 | 048050342 | 2 | レツテツ | |
| 1-18 | 014680422 | 2 | セツスクレウ, ソケツ (CP) SM4.37 | |
| 1-19 | 062670712 | 1 | スクレウ, PAN SM3.57-40X7 | |
| 1-20 | 152941001 | 1 | ツイスツスプリング | |
| 1-21-1 | 154528001 | 1 | ホイール, B-WINDER | |
| 1-21-2 | 120448001 | 1 | ボビンウイダラバア | |
| 1-22 | 102716004 | 2 | セツスクレウ, SM4.37 | |
| 2 | 062761412 | 2 | スクレウ, PAN SM5.95-28X14 | |
| 3 | S01300009 | 1 | ボビンウイダアサ | |
| 3-1 | 152945001 | 1 | ボビンウイダアサ | |
| 3-2 | 145446001 | 2 | ディスク, テンション | |
| 3-3 | 104525001 | 1 | スプリング, テンション | |
| 3-4 | 108265009 | 1 | テンションナツ | |
| 7 | 062680812 | 2 | スクレウ, PAN SM4.37-40X8 | |



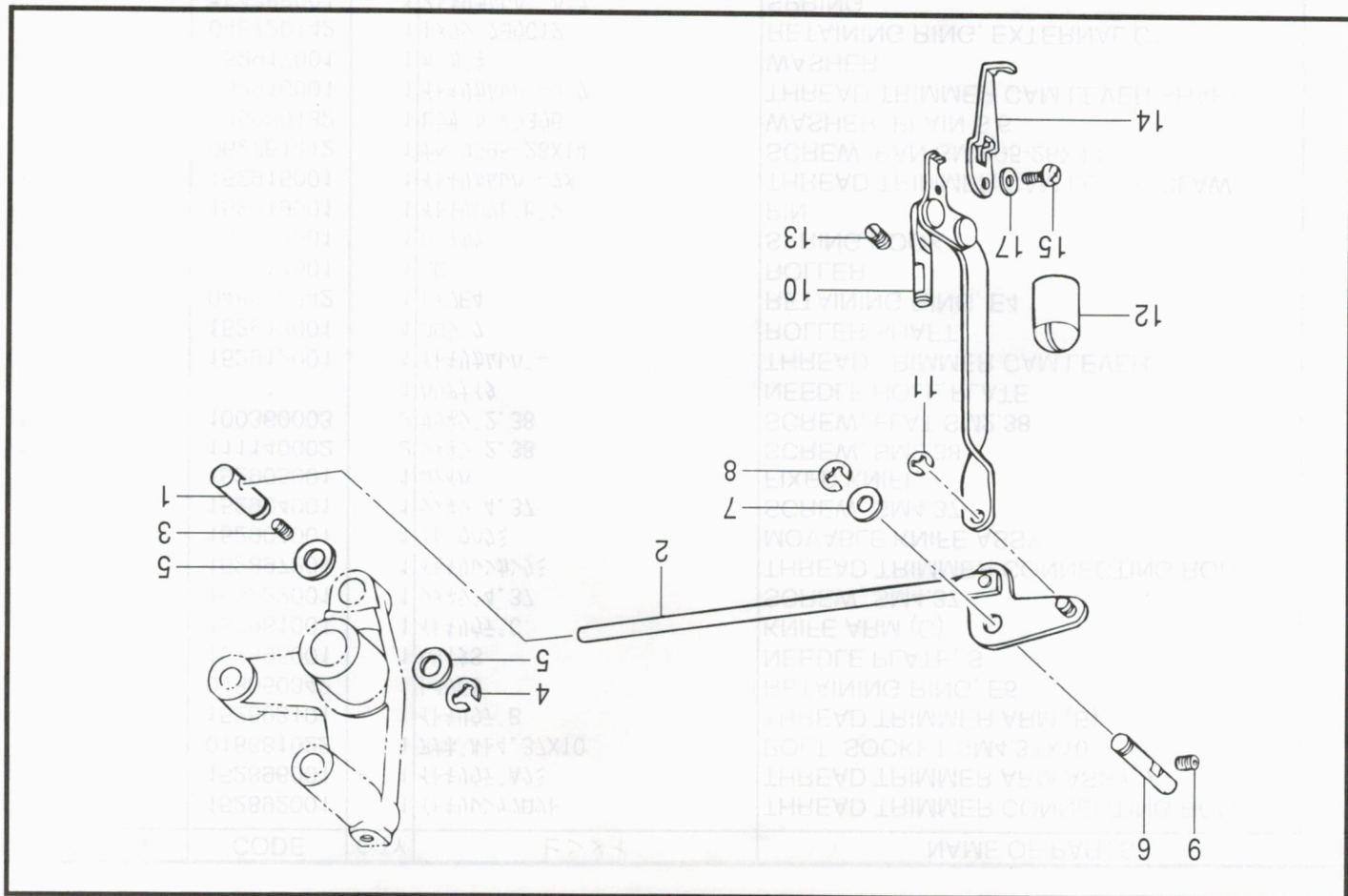
| REF.NO | CODE | QTY | 品名 | NAME OF PARTS | RM |
|--------|-----------|-----|------------------------|--------------------------------|----|
| 1 | 152892001 | 1 | 1 糸切り用アーム | THREAD TRIMMER CONNECTING ROD | |
| 2 | 152896001 | 1 | 1 糸切り用アーム | THREAD TRIMMER ARM ASSY, A | |
| 3 | 018681022 | 1 | 1 7本用ソケット SM4.37X10 | BOLT, SOCKET SM4.37X10 | |
| 4 | 152893101 | 1 | 1 糸切り用 B | THREAD TRIMMER ARM (B) | |
| 5 | 048050342 | 1 | 1 保持リング E5 | RETAINING RING, E5 | |
| 6 | 152995001 | 1 | 1 針板 | NEEDLE PLATE, S | |
| 7 | 152981001 | 1 | 1 糸切り用 C | KNIFE ARM (C) | |
| 8 | 153222001 | 1 | 1 糸切り用 4.37 | SCREW, SM4.37 | |
| 9 | 152897201 | 1 | 1 糸切り用 4.37 | THREAD TRIMMER CONNECTING ROD | |
| 10 | 152901001 | 1 | 1 糸切り用 | MOVABLE KNIFE ASSY | |
| 11 | 152904001 | 1 | 1 糸切り用 4.37 | SCREW, SM4.37 | |
| 12 | 152905001 | 1 | 1 固定ナイフ | FIXED KNIFE | |
| 13 | 111140002 | 2 | 2 糸切り用 2.38 | SCREW, SM2.38 | |
| 16 | 100360003 | 2 | 2 糸切り用 2.38 | SCREW, FLAT SM2.38 | |
| 17 | * | 1 | 1 針板 | NEEDLE HOLE PLATE | |
| 18-1 | 152912001 | 1 | 1 糸切り用 4.37 | THREAD TRIMMER CAM LEVER | |
| 18-2 | 152913001 | 1 | 1 保持リング E4 | ROLLER SHAFT | |
| 18-3 | 048040342 | 1 | 1 保持リング E4 | RETAINING RING, E4 | |
| 18-4 | 152914001 | 1 | 1 保持リング E4 | ROLLER | |
| 18-5 | 154789001 | 1 | 1 糸切り用 | SPRING HOOK | |
| 18-6 | 152919001 | 1 | 1 糸切り用 | PIN | |
| 19 | 152915001 | 1 | 1 糸切り用 4.37 | THREAD TRIMMER CAM LEVER CLAW | |
| 20 | 062761412 | 1 | 1 7本用ソケット SM5.95-28X14 | SCREW, PAN SM5.95-28X14 | |
| 21 | 025060132 | 1 | 1 糸切り用 5.95 | WASHER, PLAIN S 6 | |
| 22 | 152916001 | 1 | 1 糸切り用 4.37 | THREAD TRIMMER CAM LEVER SHAFT | |
| 23 | 152917001 | 1 | 1 糸切り用 | WASHER | |
| 24 | 048120142 | 1 | 1 保持リング E4 | RETAINING RING, EXTERNAL C12 | |
| 25 | 154788001 | 1 | 1 糸切り用 4.37 | SPRING | |
| 26 | 014760622 | 1 | 1 7本用ソケット SM5.95 | SET SCREW, SOCKET SM5.95 | |
| 27 | 146354001 | 1 | 1 糸切り用 | WASHER, PLAIN 5 | |
| 28 | 048040342 | 1 | 1 保持リング E4 | RETAINING RING, E4 | |
| 29 | 152920001 | 1 | 1 糸切り用 4.37 | STUD | |
| 30 | 014760622 | 1 | 1 7本用ソケット SM5.95 | SET SCREW, SOCKET SM5.95 | |
| 31 | 152921001 | 1 | 1 糸切り用 | THREAD TRIMMER LINK | |
| 32 | 151907001 | 1 | 1 糸切り用 5.95 | STUD SCREW 5.95 | |
| 33 | 150553001 | 1 | 1 糸切り用 5.95 | NUT, SM5.95 | |
| 34 | 152922001 | 1 | 1 糸切り用 4.37 | THREAD TRIMMER LEVER | |
| 35 | 152923001 | 1 | 1 糸切り用 4.37 | THREAD TRIMMER ROLLER | |
| 36 | 112468001 | 1 | 1 糸切り用 | WASHER | |
| 37 | 048050342 | 1 | 1 保持リング E5 | RETAINING RING, E5 | |
| 38 | 153482001 | 1 | 1 糸切り用 4.37 | DRIVING SHAFT | |
| 39 | 142628001 | 1 | 1 糸切り用 4.37 | SPACER | |
| 40 | 048110142 | 1 | 1 保持リング E4 | RETAINING RING, EXTERNAL C11 | |
| 41 | 111865009 | 1 | 1 糸切り用 | CAP, 6 | |
| 42 | 014760622 | 1 | 1 7本用ソケット SM5.95 | SET SCREW, SOCKET SM5.95 | |
| 43 | 100032004 | 2 | 2 糸切り用 4.37 | SCREW, FLAT SM4.37-40X8 | |
| 44 | S11244001 | 2 | 2 糸切り用 4.37 | SCREW, SM4.37 | |
| 45 | 153222001 | 1 | 1 糸切り用 4.37 | KNIFE ARM COLLAR, C | |
| 46 | 153219001 | 1 | 1 糸切り用 | COLLAR, MOVABLE KNIFE | |
| 48 | 141334001 | 1 | 1 糸切り用 | SPRING HOOK | |
| 50 | 152906101 | 1 | 1 糸切り用 4.37 | LOWER THREAD RETAINER (A) | |
| 51 | 153598001 | 1 | 1 糸切り用 4.37 | SCREW 4.37 | |
| 52 | 081008070 | 1 | 1 保持リング E5 | O RING, P8 | |
| 53 | 153597001 | 1 | 1 糸切り用 4.37 | RETAINER COLLAR, L-THREAD | |
| 54 | 153596001 | 1 | 1 糸切り用 | WASHER | |

118-430-406



R. 糸締メ関係 / Thread nipper mechanism

118-430-405



Q. 糸払メ関係 / Thread wiper mechanism

Q. 糸払ノ關係 / Thread wiper mechanism

| REF.NO | CODE | QTY | 品名 | NAME OF PARTS | RM |
|--------|-----------|-----|-------------|-------------------------------|----|
| 1 | 152815001 | 1 | ワハ-ロトシク | THREAD WIPER ROD SHAFT | |
| 2 | 152816001 | 1 | ワハ-ロトクニ | THREAD WIPER ROD ASSY | |
| 3 | 014680622 | 1 | ワハクク4.377キニ | SET SCREW, SOCKET (CP) SM4.37 | |
| 4 | 048060342 | 1 | ワ7E6 | RETAINING RING, E6 | |
| 5 | 116629001 | 2 | ワカク | WASHER | |
| 6 | 152822101 | 1 | ワハ-シク | SHAFT, T-WIPER | |
| 7 | 025770232 | 1 | ワシキワシク6.35 | WASHER, PLAIN M 6.35 | |
| 8 | 048040342 | 1 | ワ7E4 | RETAINING RING, E4 | |
| 9 | 014680622 | 1 | ワハクク4.377キニ | SET SCREW, SOCKET (CP) SM4.37 | |
| 10 | 152823001 | 1 | ワハ-クニクニ | THREAD WIPER ARM ASSY | |
| 11 | 048030342 | 1 | ワ7E3 | RETAINING RING, E3 | |
| 12 | 152827001 | 1 | ワシキクシク | OIL CAP | |
| 13 | 014710522 | 1 | ワハクク4.767キニ | SET SCREW, SOCKET (CP) SM4.76 | |
| 14 | 156206001 | 1 | ワハ-A | THREAD WIPER, A | |
| 15 | 062670512 | 1 | ワハ357-40X5 | SCREW, PAN SM3.57-40X5 | |
| 17 | 025350132 | 1 | ワシキワシク3.5 | WASHER, PLAIN S 3.5 | |

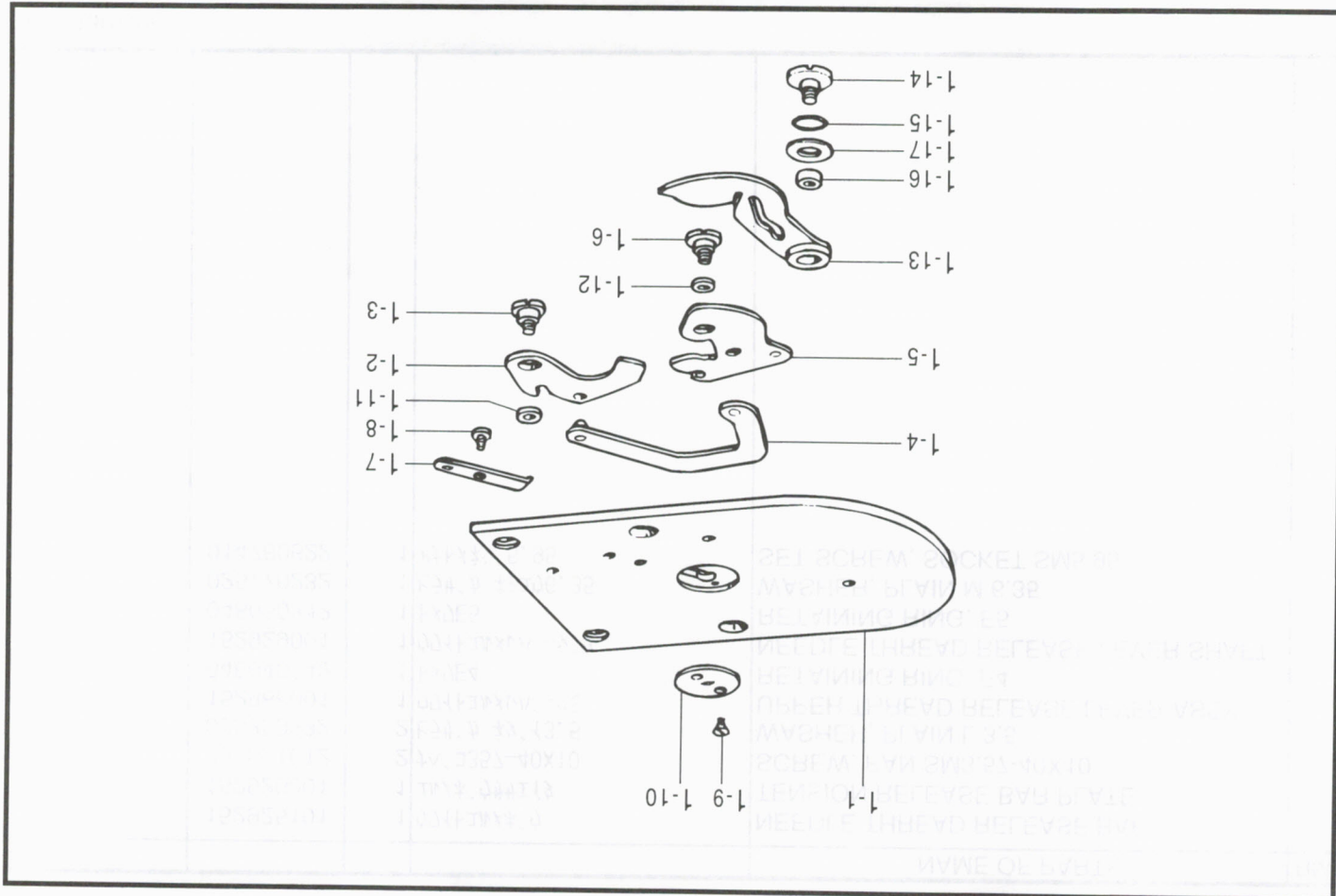
118-430-405

R. 糸締メ關係 / Thread nipper mechanism

| REF.NO | CODE | QTY | 品名 | NAME OF PARTS | RM |
|--------|-----------|-----|-------------|-----------------------------------|----|
| 1 | 152925101 | 1 | ワハククワ | NEEDLE THREAD RELEASE BAR | |
| 2 | 152926001 | 1 | ワハククワシク1ク | TENSION RELEASE BAR PLATE | |
| 3 | 062671012 | 2 | ワハ357-40X10 | SCREW, PAN SM3.57-40X10 | |
| 4 | 025350332 | 2 | ワシキワシク13.5 | WASHER, PLAIN L 3.5 | |
| 5 | 152988001 | 1 | ワハククワシクニ | UPPER THREAD RELEASE LEVER ASSY | |
| 6 | 048040342 | 1 | ワ7E4 | RETAINING RING, E4 | |
| 7 | 152929001 | 1 | ワハククワシクニシク | NEEDLE THREAD RELEASE LEVER SHAFT | |
| 8 | 048050342 | 1 | ワ7E5 | RETAINING RING, E5 | |
| 9 | 025770232 | 1 | ワシキワシク6.35 | WASHER, PLAIN M 6.35 | |
| 10 | 014760622 | 1 | ワハクク5.95 | SET SCREW, SOCKET SM5.95 | |

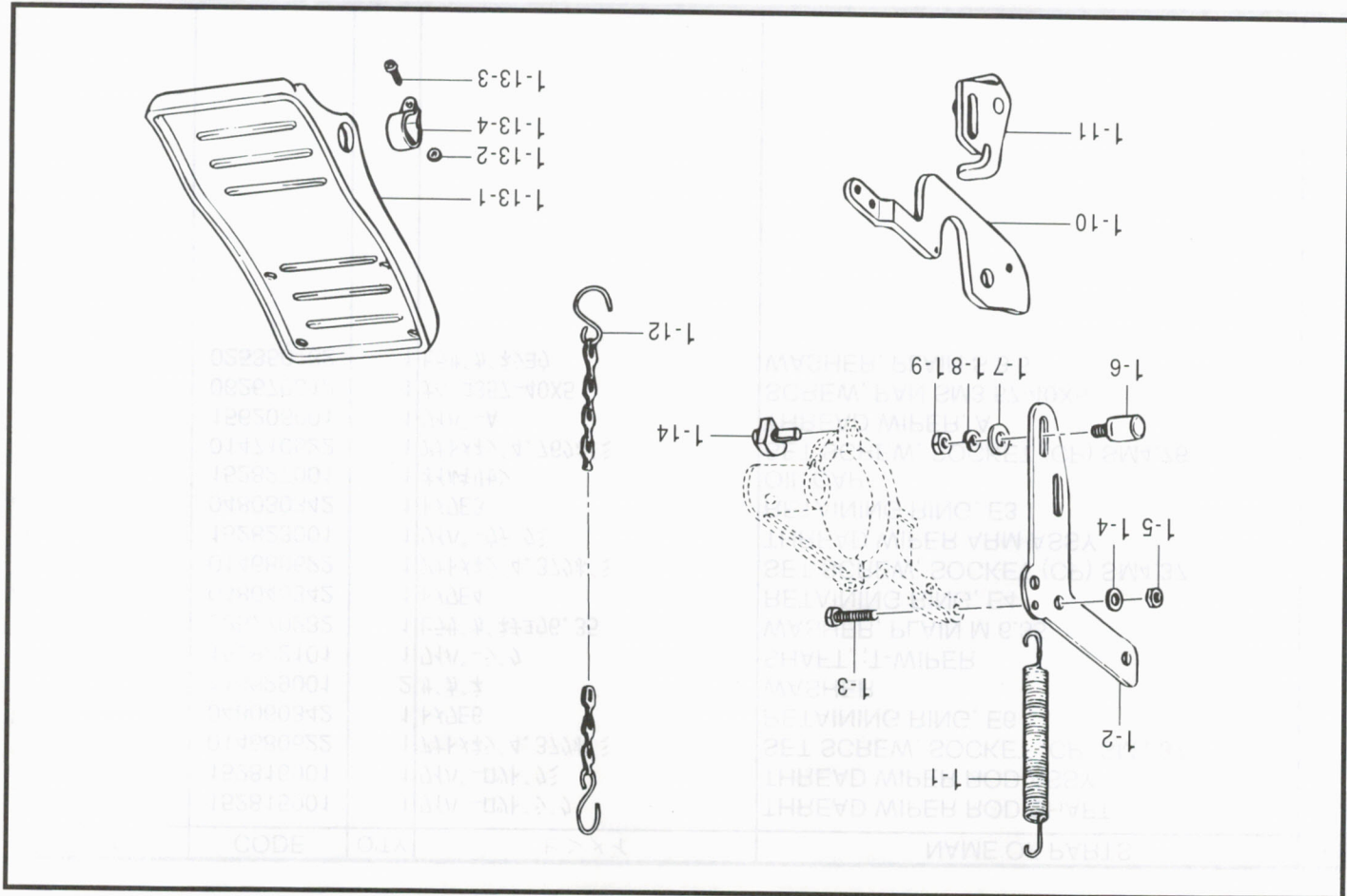
118-430-406

118-430-403



T. 特別注文部品 / Option parts

118-430-940



S. 付属装置セット / Attachment set

S. 付属装置セット / Attachment set

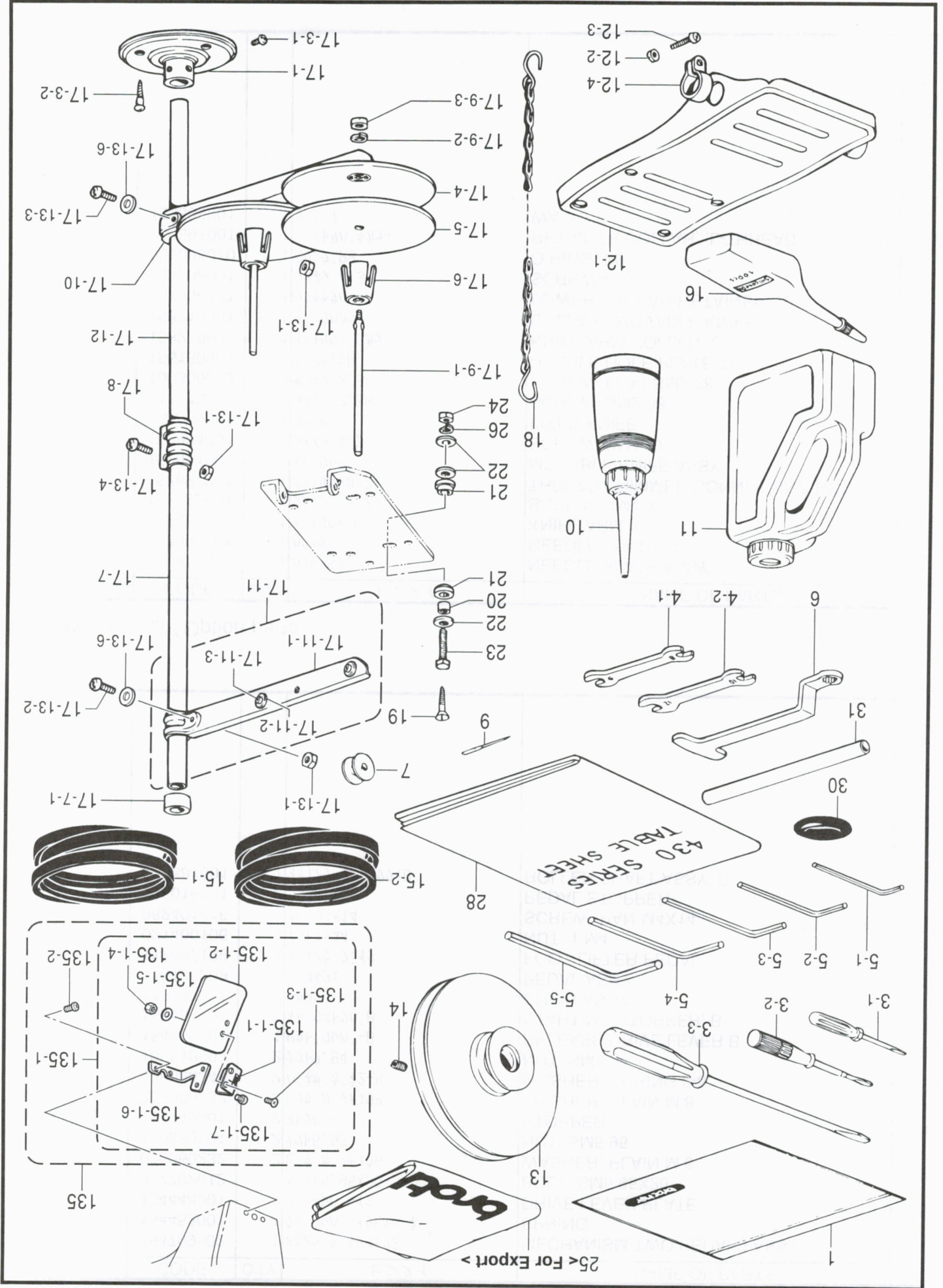
| REF.NO | CODE | Q'TY | 品名 | RM |
|--------|-----------|------|-------------------|----|
| 1 | 154709002 | 1 | メカニズム2脚ペダルアッシー | |
| 1-1 | 154452001 | 1 | スプリング | |
| 1-2 | 154448001 | 1 | ドライブレバープレート | |
| 1-3 | 017762012 | 2 | ボルト, SM5.95X20 | |
| 1-4 | 025060232 | 2 | ワッシャー, PLAIN M 6 | |
| 1-5 | 150553001 | 2 | ナット, SM5.95 | |
| 1-6 | 154449001 | 2 | ストッパー | |
| 1-7 | 025080232 | 2 | ワッシャー, PLAIN M 8 | |
| 1-8 | 028080242 | 2 | ワッシャー, SPRING 2-8 | |
| 1-9 | 105812003 | 2 | ナット, SM7.94 | |
| 1-10 | 154450001 | 1 | リリースドライブレバー B | |
| 1-11 | 154451101 | 1 | スタートストップ, B | |
| 1-12 | 149247001 | 1 | チェーンアッシー | |
| 1-13 | 116185209 | 1 | ペダルアッシー | |
| 1-13-1 | 117437109 | 1 | フットリフターペダル | |
| 1-13-2 | 021400106 | 2 | ナット, 1 M4 | |
| 1-13-3 | 062401416 | 2 | スcrew, PAN M4X14 | |
| 1-13-4 | 116016001 | 2 | ペダルストッパー | |
| 1-14 | 154681001 | 1 | ローラーシャフトアッシー, B | |

118-430-940

T. 特別注文部品 / Option parts

| REF.NO | CODE | Q'TY | 品名 | RM |
|--------|------------|------|---------------------------|----|
| 1 | S18426001 | 1 | NEEDLE PLATE ASSY, S | |
| 1-1 | 152995001 | 1 | NEEDLE PLATE, S | |
| 1-2 | 152981001 | 1 | KNIFE ARM (C) | |
| 1-3 | 153222001 | 1 | SCREW, SM4.37 | |
| 1-4 | 152897201 | 1 | スレッドトリマー接続ロッド | |
| 1-5 | 152901001 | 1 | MOVABLE KNIFE ASSY | |
| 1-6 | 152904001 | 1 | SCREW, SM4.37 | |
| 1-7 | 152905001 | 1 | FIXED KNIFE | |
| 1-8 | 111144002 | 2 | SCREW, SM2.38 | |
| 1-9 | 100360003 | 2 | SCREW, FLAT SM2.38 | |
| 1-10 | 156150001 | 1 | NEEDLE HOLE PLATE, B | |
| 1-11 | 153222001 | 1 | KNIFE ARM COLLAR, C | |
| 1-12 | 1532219001 | 1 | COLLAR, MOVABLE KNIFE | |
| 1-13 | 152906101 | 1 | LOWER THREAD RETAINER (A) | |
| 1-14 | 153598001 | 1 | SCREW 4.37 | |
| 1-15 | 081008070 | 1 | O RING, P8 | |
| 1-16 | 153597001 | 1 | RETAINER COLLAR, L-THREAD | |
| 1-17 | 153596001 | 1 | WASHER | |

118-430-403



Z. 付属品関係 / Accessories

| REF.NO | CODE | QTY | 品名 | NAME OF PARTS |
|---------|------------|-----|-------------------------|-----------------------------|
| 1 | 122991001 | 1 | 77' 7L' 77' 77' 77' 77' | ACCESSORY BAG |
| 3-1 | 142443001 | 1 | 77' 77' 77' 77' 77' 77' | SCREW DRIVER, 1.9X52 |
| 3-2 | 118837001 | 1 | 77' 77' 77' 77' 77' 77' | SCREW DRIVER, 3.4X70 |
| 3-3 | 101572101 | 1 | 77' 77' 77' 77' 77' 77' | SCREW DRIVER, 5.5X190 |
| 4-1 | 100887001 | 1 | 77' 77' 77' 77' 77' 77' | WRENCH, 8X9 |
| 4-2 | 107780001 | 1 | 77' 77' 77' 77' 77' 77' | WRENCH, 10X12 |
| 5-1 | 142002001 | 1 | 77' 77' 77' 77' 77' 77' | HEXAGONAL WRENCH, 2 |
| 5-2 | 142721001 | 1 | 77' 77' 77' 77' 77' 77' | ALLEN WRENCH 3 |
| 5-3 | 118064001 | 1 | 77' 77' 77' 77' 77' 77' | HEXAGONAL WRENCH, 4 |
| 5-4 | 150335001 | 1 | 77' 77' 77' 77' 77' 77' | HEXAGONAL WRENCH, 5 |
| 5-5 | 115157001 | 1 | 77' 77' 77' 77' 77' 77' | HEXAGONAL WRENCH, 6 |
| 6 | 152765001 | 1 | 77' 77' 77' 77' 77' 77' | OFFSET WRENCH 10 |
| 7 | 159613051 | 3 | 77' 77' 77' 77' 77' 77' | BOBBIN |
| 9 | * | 4 | 77' 77' 77' 77' 77' 77' | NEEDLE, DP |
| 10 | 114483002 | 1 | 77' 77' 77' 77' 77' 77' | OILER ASSY |
| 11 | S55663001 | 1 | 77' 77' 77' 77' 77' 77' | OIL TANK ASSY |
| 12 | 116185209 | 1 | 77' 77' 77' 77' 77' 77' | PEDAL ASSY |
| 12-1 | 117437109 | 1 | 77' 77' 77' 77' 77' 77' | FOOT LIFTER PEDAL |
| 12-2 | 021400106 | 2 | 77' 77' 77' 77' 77' 77' | NUT, 1 M4 |
| 12-3 | 062401416 | 2 | 77' 77' 77' 77' 77' 77' | SCREW, PAN M4X14 |
| 12-4 | 116016001 | 2 | 77' 77' 77' 77' 77' 77' | PEDAL STOPPER |
| 13 | * | 1 | 77' 77' 77' 77' 77' 77' | MOTOR PULLEY |
| 14 | 014760622 | 2 | 77' 77' 77' 77' 77' 77' | SET SCREW, SOCKET SM5.95 |
| 15-1 | 082104891 | 2 | 77' 77' 77' 77' 77' 77' | BELT, VM48 |
| 15-2 | * | 1 | 77' 77' 77' 77' 77' 77' | BELT, VM |
| 16 | * | 1 | 77' 77' 77' 77' 77' 77' | SILICONE OIL |
| 17 | S02761309 | 1 | 77' 77' 77' 77' 77' 77' | COTTON STAND ASSY, 2 |
| 17-1 | 150189109 | 1 | 77' 77' 77' 77' 77' 77' | COTTON STAND BRACKET |
| 17-3 | S02773001 | 1 | 77' 77' 77' 77' 77' 77' | C-STAND BRACKET & SCREW SET |
| 17-3-1 | 062060806 | 2 | 77' 77' 77' 77' 77' 77' | SCREW, PAN M6X8 |
| 17-3-2 | 031452206 | 3 | 77' 77' 77' 77' 77' 77' | WOOD SCREW, ROUND M4.5X22 |
| 17-4 | S51283001 | 2 | 77' 77' 77' 77' 77' 77' | SPOOL STAND BASE |
| 17-5 | 150182200 | 2 | 77' 77' 77' 77' 77' 77' | SPOOL MAT |
| 17-6 | S512822001 | 2 | 77' 77' 77' 77' 77' 77' | SPOOL CUSHION |
| 17-7 | S40639001 | 1 | 77' 77' 77' 77' 77' 77' | COLUMN PIPE W/CAP |
| 17-7-1 | 150174000 | 1 | 77' 77' 77' 77' 77' 77' | COLUMN CAP |
| 17-8 | 150173003 | 1 | 77' 77' 77' 77' 77' 77' | COLUMN JOINT |
| 17-9 | S21798001 | 2 | 77' 77' 77' 77' 77' 77' | SPOOL & SCREW SET |
| 17-9-1 | 150179002 | 2 | 77' 77' 77' 77' 77' 77' | SPOOL SHAFT, B |
| 17-9-2 | 028050246 | 2 | 77' 77' 77' 77' 77' 77' | WASHER, SPRING 2-5 |
| 17-9-3 | 021500106 | 2 | 77' 77' 77' 77' 77' 77' | NUT, 1 M5 |
| 17-10 | S02778002 | 1 | 77' 77' 77' 77' 77' 77' | SPOOL HOLDER, 2 |
| 17-11 | S02786002 | 1 | 77' 77' 77' 77' 77' 77' | THREAD HANGER ASSY, 2 |
| 17-11-1 | S02787002 | 1 | 77' 77' 77' 77' 77' 77' | THREAD HANGER, 2 |
| 17-11-2 | 150183000 | 2 | 77' 77' 77' 77' 77' 77' | THREAD HANGER BASE |
| 17-11-3 | 142990001 | 2 | 77' 77' 77' 77' 77' 77' | THREAD BUSH |
| 17-12 | 150172203 | 1 | 77' 77' 77' 77' 77' 77' | COLUMN PIPE |
| 17-13 | S40641001 | 1 | 77' 77' 77' 77' 77' 77' | SPOOL SHAFT & SCREW SET, A |
| 17-13-1 | 021500106 | 4 | 77' 77' 77' 77' 77' 77' | NUT, 1 M5 |
| 17-13-2 | 062501406 | 1 | 77' 77' 77' 77' 77' 77' | SCREW, PAN M5X14 |
| 17-13-3 | 062501406 | 1 | 77' 77' 77' 77' 77' 77' | SCREW, PAN M5X14 |
| 17-13-4 | 062501406 | 2 | 77' 77' 77' 77' 77' 77' | SCREW, PAN M5X14 |
| 17-13-6 | 026050136 | 2 | 77' 77' 77' 77' 77' 77' | WASHER, PLAIN S 5 |
| 18 | 149247001 | 1 | 77' 77' 77' 77' 77' 77' | CHAIN ASSY |
| 19 | 106030001 | 4 | 77' 77' 77' 77' 77' 77' | WOOD SCREW, FLAT M6.2X32 |
| 20 | 152863001 | 4 | 77' 77' 77' 77' 77' 77' | CUSHION COLLAR |
| 21 | 152864000 | 8 | 77' 77' 77' 77' 77' 77' | CUSHION |

118-430-910

付属品の明細は変更することがあります。

The details of included accessories are subject to change.

Z. 付属品関係 / Accessories

| REF.NO | CODE | QTY | コメント | NAME OF PARTS | RM |
|---------|-----------|-----|---------------|--|----|
| 22 | 025800332 | 12 | ワッシャー、ボルト、ナット | WASHER, PLAIN L 7.14 BOLT, M6X25 NUT, 1 M6 | |
| 23 | 017062503 | 4 | ワッシャー、ボルト | WASHER, PLAIN L 7.14 BOLT, M6X25 | |
| 24 | 021060102 | 4 | ナット | NUT, 1 M6 | |
| 25 | 144226001 | 1 | <輸出用> | <For Export> HEAD COVER | |
| 26 | 028060242 | 4 | ワッシャー、スプリング | WASHER, SPRING 2-6 | |
| 28 | 153574201 | 1 | テーブルシート | TABLE SHEET | |
| 30 | 120448001 | 1 | ボビン | BOBBIN WINDER RUBBER BAND | |
| 31 | 154760001 | 1 | パイプレンチ | PIPE, WRENCH | |
| 135 | S50007001 | 1 | 目視ガードセット | EYE GUARD SET, A | |
| 135-1 | S44493101 | 1 | 目視ガード | EYE GUARD ASSY | |
| 135-1-1 | S44483001 | 1 | 目視ガード | HINGE ASSY | |
| 135-1-2 | S44485001 | 1 | 目視ガード | EYE GUARD | |
| 135-1-3 | 061660806 | 2 | 目視ガード | SCREW, FLAT SM3.18-40X8 | |
| 135-1-4 | 021660102 | 2 | ナット | NUT, 1 SM3.18 | |
| 135-1-5 | 026030232 | 2 | ワッシャー | WASHER, PLAIN M 3 | |
| 135-1-6 | S44486101 | 1 | 目視ガードホルダー | EYE GUARD HOLDER, A | |
| 135-1-7 | 062670512 | 2 | 目視ガード | SCREW, PAN SM3.57-40X5 | |
| 135-2 | 062670612 | 2 | 目視ガード | SCREW, PAN SM3.57-40X6 | |

118-430-910

付属品の明細は変更されることがあります。



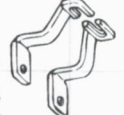
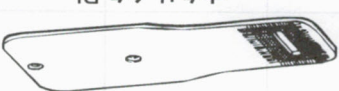








The details of included accessories are subject to change.

仕様別部品一覧表 / DIFFERENT PARTS LIST

| サブ CLASS | サブ SPEC | 部品 PARTS | REF. NO. |
|-------------|-------------------|-----------------------|-------------|
| -1 | ORDINARY CLOTHES | 107415-016 (DPX#16) | F-35 |
| -2 | DENIM | 145646-019 (DPX17#19) | F-35-8 |
| -3 | DENIM | ↓ | F-35-9 |
| -4 | ORDINARY CLOTHES | 107415-016 (DPX#16) | F-35-18 |
| -5 | ORDINARY CLOTHES | 153033-509 | F-44 |
| -6 | DENIM | 145646-019 (DPX17#19) | |
| -7 | KNITTED MATERIALS | 107415-009 (DPX#9) | |
| -8 | ORDINARY CLOTHES | 107415-016 (DPX#16) | |
| -9 | KNITTED MATERIALS | 107415-009 (DPX#9) | |

| サブ CLASS | サブ CLASS | REF. NO. 参照番号 | PARTS 部品名 | CHANGE CHANGE | CHANGE CHANGE | CHANGE CHANGE | CHANGE CHANGE | CHANGE CHANGE | CHANGE CHANGE | CHANGE CHANGE | CHANGE CHANGE | CHANGE CHANGE |
|-------------|-------------------|------------------|-----------------|------------------|------------------|------------------|------------------|------------------|------------------|------------------|------------------|------------------|
| -1 | ORDINARY CLOTHES | 152721-000 | 152721-000 (42) | 152722-000 (42) | 152727-001 (42S) | 155523-201 | 151933-001 | 152682-101 (A) | 152685-903 (A) | ↓ | ↓ | ↓ |
| -2 | DENIM | ↓ | ↓ | ↓ | S13165-201 (B) | S13166-001 (B) | 152686-101 (B) | 152687-902 (B) | ↓ | ↓ | ↓ | ↓ |
| -3 | DENIM | 153312-000 (35) | 153313-000 (35) | 153314-001 (35D) | ↓ | ↓ | ↓ | ↓ | ↓ | ↓ | ↓ | ↓ |
| -4 | ORDINARY CLOTHES | 152719-000 (28) | 152720-000 (28) | 153054-001 (28S) | 155523-201 | 151933-001 | 152682-101 (A) | 152685-903 (A) | ↓ | ↓ | ↓ | ↓ |
| -5 | ORDINARY CLOTHES | ↓ | ↓ | ↓ | 153343-001 (28K) | ↓ | ↓ | ↓ | ↓ | ↓ | ↓ | ↓ |
| -6 | DENIM | ↓ | ↓ | ↓ | 153321-001 (28D) | S13165-201 (B) | S13166-001 (B) | 152686-101 (B) | 152687-902 (B) | ↓ | ↓ | ↓ |
| -7 | KNITTED MATERIALS | ↓ | ↓ | ↓ | 152726-001 (28M) | 155523-201 | 151933-001 | 152682-101 (A) | 152685-903 (A) | ↓ | ↓ | ↓ |
| -8 | ORDINARY CLOTHES | 152721-000 (42) | 152722-000 (42) | 153344-001 (21K) | ↓ | ↓ | ↓ | ↓ | ↓ | ↓ | ↓ | ↓ |
| -9 | KNITTED MATERIALS | ↓ | ↓ | ↓ | 153315-001 (21M) | ↓ | ↓ | ↓ | ↓ | ↓ | ↓ | ↓ |

| カクシヨク バクゴク REF.NO. | Z-15-2 | Z-16 | サブ PARTS | シヨク PARTS | シヨク SPEC | CLASS |
|--------------------------|------------|------------|-------------------|----------------|-------------|-------|
| ORDINARY CLOTHES (M51) | 082105-190 | S06706-001 | ORDINARY CLOTHES | フニ△ヨク DENIM | ↓ | -1 |
| ORDINARY CLOTHES | | | ORDINARY CLOTHES | フニ△ヨク DENIM | ↓ | -2 |
| ORDINARY CLOTHES | | | ORDINARY CLOTHES | フニ△ヨク DENIM | ↓ | -3 |
| ORDINARY CLOTHES | | S06706-001 | ORDINARY CLOTHES | フニ△ヨク DENIM | ↓ | -4 |
| ORDINARY CLOTHES | | | ORDINARY CLOTHES | フニ△ヨク DENIM | ↓ | -5 |
| ORDINARY CLOTHES | | | DENIM | フニ△ヨク DENIM | ↓ | -6 |
| KNITTED MATERIALS | | | KNITTED MATERIALS | フニ△ヨク DENIM | ↓ | -7 |
| ORDINARY CLOTHES | | S06706-001 | ORDINARY CLOTHES | フニ△ヨク DENIM | ↓ | -8 |
| KNITTED MATERIALS | | | KNITTED MATERIALS | フニ△ヨク DENIM | ↓ | -9 |

| | |
|---|--|
| <p>156155001 (φ2.5) NEEDLE HOLE PLATE G ハリツチイタG</p>  | <p>152792001 FEED PLATE DENIM カリイタニム</p>  <p>152782001 WORK CLAMP L DENIM オキエツシLニム</p>  |
| <p>153205201 FEED PLATE PL カリイタPL</p>  <p>153201001 WORK CLAMP RPL オキエツシRPL</p>  | <p>153202001 WORK CLAMP LPL オキエツシLPL</p>  |
| <p>156152001 (φ2.5 十字溝付き) NEEDLE HOLE PLATE D ハリツチイタD</p>  | <p>S00908001 FEED PLATE 1 INCH カリイタ1イッチ</p>  <p>S00906001 WORK CLAMP R1 INCH オキエツシR1イッチ</p>  |
| <p>153206201 FEED PLATE PS カリイタPS</p>  <p>153203001 WORK CLAMP RPS オキエツシRPS</p>  | <p>153204001 WORK CLAMP LPS オキエツシLPS</p>  |

| 警告ラベル / Warning labels | 品名 / Name of parts | Size(mm) | Code |
|---|-----------------------|----------|------------|
|  | Label, operation Eng. | 40 × 64 | S38349-001 |
|  | 操作注意ラベル・和 | 40 × 64 | S38350-001 |

| CODE | page | REF.NO |
|-----------|------|--------|
| 013710712 | 20 | 37 |
| 013719412 | 2 | 32-8 |
| 013760612 | 2 | 52 |
| 014680422 | 30 | 32 |
| | 30 | 34 |
| | 32 | 1-18 |
| 014680622 | 24 | 3 |
| | 36 | Q-3 |
| | 36 | Q-9 |
| 014710522 | 36 | Q-13 |
| 014760622 | 6 | 32 |
| | 18 | 4 |
| | 14 | 35-7 |
| | 18 | 10 |
| | 18 | 16 |
| | 18 | 28 |
| | 20 | 10 |
| | 20 | 44-2 |
| | 22 | 19-3 |
| | 22 | 21 |
| | 22 | 30 |
| | 24 | 6 |
| | 24 | 8 |
| | 24 | 11 |
| | 24 | 17 |
| | 34 | 26 |
| | 34 | 30 |
| | 34 | 42 |
| | 36 | R-10 |
| | 40 | 14 |
| | 40 | 14 |
| 014760632 | 10 | 14 |
| | 10 | 21 |
| | 10 | 17 |
| 014770622 | 10 | 17 |
| | 12 | D-8 |
| | 24 | 14-2 |
| 014821022 | 6 | 6 |
| | 22 | 29 |
| 017062503 | 42 | 23 |
| 017711412 | 8 | 59 |
| 017762012 | 38 | S-1-3 |
| 017762202 | 8 | 66 |
| 018060822 | 22 | 10-3 |
| | 8 | 77 |
| 018061622 | 20 | 42 |
| 018062222 | 20 | 8 |
| | 20 | 18 |
| 018062532 | 8 | 55-3 |
| 018063022 | 14 | 12-1 |
| | 20 | 20-1 |
| | 20 | 29-1 |
| | 20 | 32-1 |

| CODE | page | REF.NO |
|-----------|------|----------|
| 018081222 | 2 | 32-3 |
| 018082022 | 14 | 4-1 |
| | 14 | 26-2-1 |
| 018082522 | 6 | 11 |
| | 16 | 35-15 |
| | 24 | 25 |
| | 24 | 25 |
| 018500822 | 16 | 35-15 |
| 018501422 | 24 | 25 |
| 018681022 | 34 | 3 |
| 021060102 | 42 | 24 |
| 021100202 | 2 | 32-15 |
| 021400106 | 38 | S-1-13-2 |
| | 40 | 12-2 |
| | 40 | 17-9-3 |
| | 40 | 17-13-1 |
| | 42 | 135-1-4 |
| 021660102 | 26 | 12-7 |
| 021670202 | 6 | 39-7 |
| 021800102 | 6 | 22 |
| 025060132 | 8 | 78 |
| 025060232 | 8 | 80 |
| | 10 | 10 |
| | 16 | 39 |
| | 38 | S-1-4 |
| 025080132 | 4 | 65 |
| | 18 | 11 |
| | 18 | 18 |
| 025080232 | 2 | 32-4 |
| | 38 | S-1-7 |
| 025100132 | 2 | 32-16 |
| 025350132 | 36 | Q-17 |
| 025350332 | 26 | 12-4 |
| | 36 | R-4 |
| 025680132 | 6 | 39-6 |
| | 2 | 11 |
| 025770232 | 2 | 11 |
| | 36 | Q-7 |
| | 36 | R-9 |
| 025800332 | 6 | 20 |
| 026030232 | 42 | 135-1-5 |
| 026050136 | 40 | 17-13-6 |
| 028050242 | 6 | 45 |
| | 8 | 60 |
| 028050246 | 40 | 17-9-2 |
| 028060242 | 8 | 79 |
| | 8 | 82 |
| | 42 | 26 |
| 028080242 | 2 | 32-5 |
| | 6 | 12 |
| | 38 | S-1-8 |
| 028100242 | 2 | 32-17 |
| 031452206 | 40 | 17-3-2 |
| 047251640 | 26 | 37 |
| 048030342 | 6 | 39-4 |
| | 36 | Q-11 |
| | 6 | 27 |
| | 6 | 33-4 |
| | 12 | D-1-5 |
| | 20 | 43-4 |
| | 30 | 30 |
| | 34 | 18-3 |
| | 34 | 28 |
| | 36 | Q-8 |
| | 36 | R-6 |

| CODE | page | REF.NO |
|-----------|------|----------|
| 048040343 | 8 | 55-2 |
| 048050342 | 14 | 35-6 |
| | 32 | 1-17 |
| | 34 | 5 |
| | 34 | 37 |
| | 36 | R-8 |
| 048060342 | 18 | 12 |
| | 18 | 19 |
| | 36 | Q-4 |
| 048080342 | 24 | 23 |
| | 2 | 32-13 |
| 048100142 | 6 | 31 |
| 048110142 | 8 | 73 |
| | 18 | 27 |
| 048120142 | 34 | 24 |
| 048150142 | 10 | 3 |
| 048160142 | 22 | 2 |
| 048170142 | 22 | 2 |
| 048180142 | 6 | 4 |
| 048240242 | 14 | 15 |
| | 14 | 22 |
| 048240242 | 12 | D-9-6 |
| 048320242 | 2 | 32-2-1 |
| 048350142 | 12 | D-9-4 |
| 060670612 | 30 | 6 |
| 061660806 | 42 | 135-1-3 |
| 062060806 | 40 | 17-3-1 |
| 062401416 | 38 | S-1-13-3 |
| 062501406 | 40 | 17-13-2 |
| | 40 | 12-3 |
| | 40 | 17-13-3 |
| | 40 | 17-13-4 |
| 062660412 | 24 | 16-4 |
| | 12 | D-24 |
| 062660712 | 24 | 16-8 |
| 062670412 | 20 | 49 |
| 062670512 | 26 | 21 |
| | 30 | 45 |
| | 30 | 4 |
| 062670612 | 26 | 13 |
| | 42 | 135-1-7 |
| | 36 | Q-15 |
| | 26 | 50 |
| | 28 | 48 |
| | 26 | 48 |
| | 26 | 39 |
| | 26 | 33 |
| | 26 | 26 |
| 062670712 | 32 | 1-9 |
| | 32 | 1-19 |
| 062670812 | 2 | 15 |
| | 26 | 12-3 |
| 062671012 | 16 | 35-22 |
| | 36 | R-3 |
| 062671412 | 26 | 12-8 |
| 062680612 | 2 | 59 |
| 062680712 | 32 | 1-11 |
| | 26 | 5 |
| 062680812 | 2 | 22 |
| | 10 | 20-7 |
| | 26 | 3 |

| CODE | page | REF.NO |
|-----------|------|--------|
| 062680812 | 28 | 54 |
| | 32 | 7 |
| 062681412 | 4 | 64 |
| 062710612 | 4 | 72 |
| | 30 | 2 |
| 062710712 | 2 | 6 |
| 062711412 | 2 | 5 |
| | 2 | 8 |
| 062761412 | 2 | 3 |
| | 32 | 2 |
| | 34 | 20 |
| 062781412 | 10 | 35 |
| 071047650 | 16 | 38 |
| 071095250 | 12 | D-25 |
| 072600360 | 22 | 3-2 |
| 072600760 | 12 | D-9-2 |
| 072630260 | 10 | 5 |
| 081003670 | 24 | 13 |
| | 24 | 19 |
| 081008070 | 34 | 52 |
| | 38 | T-1-15 |
| 082104891 | 40 | 15-1 |
| 082105190 | 45 | Z-15-2 |
| | 46 | Z-15-2 |
| 082105290 | 45 | Z-15-2 |
| 100032004 | 34 | 43 |
| 100090004 | 6 | 23 |
| 100136001 | 30 | 27 |
| 100250001 | 10 | 16 |
| 100315002 | 2 | 10 |
| 100360003 | 34 | 16 |
| 100420004 | 30 | 10 |
| 100887001 | 40 | 4-1 |
| 101572101 | 40 | 3-3 |
| 101706001 | 10 | 18 |
| 102630001 | 18 | 8 |
| 102716004 | 32 | 1-5 |
| | 32 | 1-22 |
| 102843004 | 10 | 8 |
| 104450101 | 2 | 31 |
| | 4 | 66 |
| 104525001 | 32 | 3-3 |
| | 45 | M-14 |
| 104567001 | 26 | 10 |
| 105451002 | 14 | 10 |
| | 14 | 25 |
| 105812003 | 38 | S-1-9 |
| 106030001 | 40 | 19 |
| 106147002 | 6 | 37 |
| 107038003 | 14 | 35-12 |
| 107149001 | 22 | 27 |
| | 28 | 59 |
| 107231002 | 22 | 9 |
| 107415009 | 43 | C-27 |
| | 45 | Z-9 |
| 107415016 | 43 | C-27 |
| | 45 | Z-9 |
| 107606001 | 45 | M-14 |
| 107744001 | 6 | 39-2 |
| 107780001 | 40 | 4-2 |
| 108265009 | 32 | 3-4 |

| CODE | page | REF.NO |
|-----------|------|----------|
| 108520001 | 2 | 30 |
| 109239002 | 2 | 18 |
| 110027001 | 20 | 44-1 |
| 110251001 | 6 | 38 |
| 110495001 | 24 | 14-1 |
| 110505001 | 8 | 72 |
| 111144002 | 34 | 13 |
| 111865009 | 38 | T-1-8 |
| 112468001 | 34 | 36 |
| 112669001 | 26 | 31 |
| 113006001 | 26 | 34 |
| 113316001 | 30 | 5 |
| 113431002 | 6 | 39-5 |
| 114294001 | 8 | 61 |
| 114483002 | 40 | 10 |
| 114486002 | 4 | 71 |
| 114985001 | 2 | 58 |
| 115012002 | 6 | 13 |
| 115018001 | 6 | 19 |
| 115077003 | 30 | 38 |
| 115138001 | 32 | 1-13 |
| 115157001 | 40 | 5-5 |
| 115493002 | 2 | 17 |
| 116016001 | 38 | S-1-13-4 |
| 116185209 | 38 | S-1-13 |
| 116629001 | 14 | 35-5 |
| 116920001 | 10 | 36 |
| 116922001 | 30 | 9 |
| 117150001 | 26 | 25 |
| 117363001 | 6 | 44 |
| 117437109 | 38 | S-1-13-1 |
| 117934001 | 2 | 29 |
| 117936001 | 2 | 27 |
| 118064001 | 40 | 5-3 |
| 118837001 | 40 | 3-2 |
| 120438001 | 24 | 34 |
| 120448001 | 32 | 1-21-2 |
| 122991001 | 40 | 1 |
| 132051001 | 10 | 20-4 |
| 140392009 | 2 | 28 |
| 140423000 | 26 | 2-5 |
| 140726000 | 10 | 11 |
| 141331001 | 16 | 36-3 |
| 141334001 | 20 | 47 |
| 141472002 | 22 | 23 |
| 141550001 | 32 | 1-14 |
| 141583101 | 18 | 21 |
| 141692001 | 26 | 12-6 |
| 141786001 | 24 | 1 |

| CODE | page | REF.NO |
|-----------|------|---------|
| 141860001 | 2 | 32-2-2 |
| 142002001 | 40 | 5-1 |
| 142211001 | 10 | 33 |
| 142443001 | 40 | 3-1 |
| 142628001 | 8 | 71 |
| 142721001 | 40 | 5-2 |
| 142900001 | 40 | 17-11-3 |
| 144226001 | 42 | 25 |
| 144458001 | 10 | 24 |
| 144588001 | 45 | M-11 |
| 144694001 | 26 | 6 |
| 144712001 | 10 | 2-1 |
| 145318001 | 14 | 34 |
| 145446001 | 30 | 12 |
| 145478101 | 16 | 35-17 |
| 145480101 | 2 | 12 |
| 145519001 | 45 | M-11 |
| 145646019 | 43 | C-27 |
| 146354001 | 16 | 35-14 |
| 146375000 | 26 | 23 |
| 147111001 | 12 | D-7 |
| 147151000 | 20 | 3 |
| 147745000 | 26 | 2-6 |
| 148921000 | 26 | 14 |
| 149247001 | 38 | S-1-12 |
| 150172003 | 40 | 17-12 |
| 150173003 | 40 | 17-8 |
| 150174000 | 40 | 17-7-1 |
| 150179002 | 40 | 17-9-1 |
| 150182000 | 40 | 17-5 |
| 150183000 | 40 | 17-11-2 |
| 150189109 | 40 | 17-1 |
| 150206002 | 22 | 40 |
| 150335001 | 40 | 5-4 |
| 150553001 | 8 | 53 |
| 150554002 | 6 | 14 |
| 150556001 | 6 | 46-3 |
| 151163001 | 6 | 9 |
| 151602002 | 14 | 1-3 |
| 151604002 | 2 | 54 |
| 151866001 | 6 | 1 |
| 151887001 | 6 | 3 |
| 151888101 | 6 | 10 |
| 151889001 | 6 | 15 |
| 151890000 | 6 | 16 |

| CODE | page | REF.NO |
|------------|------|--------|
| 151891001 | 6 | 17 |
| 151892001 | 8 | 84 |
| 151893001 | 6 | 21 |
| 151894101 | 6 | 24 |
| 151895000 | 6 | 25 |
| 151898001 | 6 | 26 |
| 151899001 | 6 | 28 |
| 151900001 | 6 | 29 |
| 151902001 | 6 | 35 |
| 151903001 | 6 | 36 |
| 151904101 | 6 | 39 |
| 151905101 | 6 | 39-1 |
| 151906101 | 6 | 39-3 |
| 151907001 | 6 | 40 |
| 151908001 | 6 | 41 |
| 151910001 | 6 | 43 |
| 151912001 | 8 | 47 |
| 151913001 | 8 | 49 |
| 151914001 | 8 | 50 |
| 151915101 | 8 | 52 |
| 151919101 | 8 | 57 |
| 151920001 | 8 | 58 |
| 151922001 | 8 | 29 |
| 151923001 | 8 | 68 |
| 151924001 | 8 | 69 |
| 151925001 | 8 | 70 |
| 151927001 | 6 | 2 |
| 151928001 | 22 | 1 |
| 151930301 | 22 | 3-1 |
| 151932001 | 22 | 8 |
| 151933001 | 44 | J-10-1 |
| 151936001 | 22 | 11 |
| 151937001 | 22 | 12 |
| 151938001 | 22 | 13 |
| 151939101 | 8 | 55 |
| 151940001 | 22 | 10-2 |
| 151941301 | 22 | 10-4 |
| 151944001 | 22 | 19 |
| 151946000 | 12 | D-17 |
| 151947101 | 22 | 19-1 |
| 151948001 | 22 | 19-2 |
| 151949001 | 22 | 20 |
| 151951001 | 22 | 22 |
| 151953001 | 22 | 25 |
| 151954001 | 22 | 28 |
| 151997000 | 10 | 4 |
| 151998000 | 10 | 6 |
| 151999001 | 10 | 7 |
| 152000001 | 10 | 13 |
| 152191101 | 24 | 9 |
| 152231000 | 10 | 15 |
| 152232101 | 10 | 20 |
| 1522336001 | 10 | 20-2 |
| 152237101 | 10 | 20-3 |
| 152238001 | 10 | 20-5 |
| 152239001 | 10 | 20-6 |
| 152240101 | 10 | 22 |
| 152242001 | 10 | 22 |
| 152243001 | 10 | 26 |
| 152244000 | 10 | 34 |
| 152245101 | 24 | 4 |

| CODE | page | REF.NO |
|-----------|------|--------|
| 152246101 | 24 | 5 |
| 152247001 | 24 | 7 |
| 152250001 | 24 | 10 |
| 152677001 | 24 | 16-1 |
| 152678201 | 24 | 12 |
| 152679001 | 24 | 18 |
| 152680001 | 24 | 16-2 |
| 152681201 | 24 | 24 |
| 152682101 | 44 | K-26 |
| 152683101 | 24 | 16-5 |
| 152684101 | 24 | 16-6 |
| 152685903 | 44 | K-31 |
| 152686101 | 44 | K-26 |
| 152687902 | 44 | K-31 |
| 152693001 | 12 | D-1-1 |
| 152694001 | 12 | D-1-2 |
| 152695201 | 12 | D-9-1 |
| 152698101 | 12 | D-9-3 |
| 152699001 | 12 | D-9-5 |
| 152700000 | 12 | D-9-7 |
| 152701001 | 12 | D-18 |
| 152702001 | 12 | D-19 |
| 152703100 | 12 | D-20 |
| 152705101 | 12 | D-22 |
| 152706101 | 12 | D-23 |
| 152708000 | 20 | 4 |
| 152709000 | 20 | 6 |
| 152710001 | 20 | 7 |
| 152713001 | 20 | 5 |
| 152718001 | 20 | 2 |
| 152719000 | 44 | H-15 |
| 152720000 | 44 | H-16 |
| 152721000 | 44 | H-15 |
| 152722000 | 44 | H-16 |
| 152723001 | 20 | 34 |
| 152724001 | 20 | 19 |
| 152726001 | 44 | H-22 |
| 152727001 | 44 | H-22 |
| 152728001 | 20 | 23 |
| 152729001 | 20 | 28 |
| 152731101 | 20 | 35 |
| 152732001 | 20 | 36 |
| 152733001 | 20 | 39 |
| 152734001 | 20 | 41 |
| 152735101 | 20 | 43 |
| 152739001 | 20 | 43-2 |
| 152741201 | 14 | 1 |
| 152742101 | 14 | 1-1 |
| 152744001 | 18 | 2-2 |
| 152745001 | 14 | 2 |
| 152749001 | 14 | 7 |
| 152750001 | 14 | 8 |
| 152752001 | 14 | 6-2-1 |
| 152755001 | 14 | 11 |
| 152756001 | 14 | 14 |
| 152758001 | 14 | 16 |
| 152759001 | 14 | 17 |

| CODE | page | REF.NO |
|------------|-----------|--------|
| 152760051 | 14 20 | |
| 152765001 | 40 6 | |
| 152766001 | 14 33 | |
| 152767509 | 43 F-35 | |
| 152771000 | 16 36-1 | |
| 152772001 | 16 37 | |
| 152773000 | 16 36-2 | |
| 152774001 | 14 35-2 | |
| 152775001 | 14 35-3 | |
| 152777001 | 43 F-35-8 | |
| 152778001 | 43 F-35-9 | |
| 152780001 | 43 F-35-9 | |
| 152780000 | 16 35-19 | |
| 152791201 | 43 F-44 | |
| 152792001 | 47 | |
| 152794001 | 18 1 | |
| 152797201 | 18 2 | |
| 152798201 | 18 2-1 | |
| 152799001 | 18 3 | |
| 152800201 | 18 6 | |
| 152801001 | 18 7 | |
| 152802001 | 18 9 | |
| 152803001 | 18 13 | |
| 152805101 | 18 14-1 | |
| 152806101 | 18 14-2 | |
| 152808101 | 6 46 | |
| 152808101 | 18 20 | |
| 152811001 | 18 23 | |
| 152815001 | 36 Q-1 | |
| 152816001 | 36 Q-2 | |
| 1528222101 | 36 Q-6 | |
| 152823001 | 36 Q-10 | |
| 152827001 | 36 Q-12 | |
| 152830109 | 2 2 | |
| 152831009 | 2 4 | |
| 152832109 | 2 4-1 | |
| 152833001 | 2 4-2 | |
| 152834009 | 2 7 | |
| 152835009 | 2 9 | |
| 152837109 | 2 13 | |
| 152838001 | 4 60 | |
| 152839001 | 4 61 | |
| 152841209 | 2 14 | |
| 152842059 | 2 16 | |
| 152847009 | 4 77 | |
| 152848001 | 4 63 | |
| 152852101 | 2 32-2 | |
| 152857001 | 2 32-6 | |
| 152858001 | 2 32-7 | |
| 152859001 | 2 32-9 | |
| 152860009 | 2 32-10 | |
| 152861101 | 2 32-11 | |
| 152862001 | 2 32-12 | |
| 152863001 | 40 20 | |
| 152864000 | 40 21 | |
| 152865201 | 2 32-14 | |
| 152866001 | 2 51 | |

| CODE | page | REF.NO |
|-----------|----------|--------|
| 152867000 | 2 53 | |
| 152868009 | 2 55 | |
| 152869001 | 30 1 | |
| 152870001 | 30 3 | |
| 152872001 | 30 8 | |
| 152873001 | 30 16 | |
| 152874001 | 30 19 | |
| 152875001 | 30 20 | |
| 152876001 | 30 23 | |
| 152877001 | 30 23 | |
| 152878001 | 30 24 | |
| 152879101 | 30 25 | |
| 152880001 | 30 26 | |
| 152881001 | 30 31 | |
| 152883000 | 30 43 | |
| 152884001 | 30 44 | |
| 152886001 | 30 33 | |
| 152887001 | 30 35 | |
| 152888001 | 30 39 | |
| 152889001 | 30 41 | |
| 152891101 | 30 42 | |
| 152892001 | 34 1 | |
| 152893101 | 34 4 | |
| 152896001 | 34 2 | |
| 152897201 | 34 9 | |
| 152901001 | 34 10 | |
| 152904001 | 34 11 | |
| 152905001 | 38 T-1-6 | |
| 152906101 | 34 12 | |
| 152906101 | 38 T-1-7 | |
| 152912001 | 34 18-1 | |
| 152913001 | 34 18-2 | |
| 152914001 | 8 55-1 | |
| 152915001 | 34 19 | |
| 152916001 | 34 22 | |
| 152917001 | 34 23 | |
| 152919001 | 34 18-6 | |
| 152920001 | 34 29 | |
| 152921001 | 34 31 | |
| 152922001 | 34 34 | |
| 152923001 | 34 35 | |
| 152925101 | 36 R-1 | |
| 152926001 | 36 R-2 | |
| 152929001 | 36 R-7 | |
| 152933001 | 32 1-3 | |
| 152934001 | 32 1-4 | |
| 152935001 | 32 1-6 | |
| 152936001 | 32 1-7 | |
| 152937001 | 32 1-8 | |
| 152938001 | 32 1-10 | |
| 152939001 | 32 1-12 | |
| 152940001 | 32 1-15 | |
| 152941001 | 32 1-20 | |
| 152945001 | 32 3-1 | |
| 152948001 | 26 1 | |
| 152949001 | 26 2 | |

| CODE | page | REF.NO |
|------------|----------|--------|
| 152950001 | 26 2-1 | |
| 152951001 | 26 2-2 | |
| 152953001 | 26 45 | |
| 152955001 | 26 4-2 | |
| 152956001 | 26 4-3 | |
| 152958001 | 26 7 | |
| 152958001 | 26 4 | |
| 152959001 | 26 4-1 | |
| 152960001 | 26 9 | |
| 152961001 | 26 12 | |
| 152962001 | 26 8 | |
| 152963001 | 26 12-5 | |
| 152964001 | 26 17 | |
| 152965001 | 26 18 | |
| 152966001 | 26 12-1 | |
| 152967001 | 26 12-2 | |
| 152968001 | 28 60 | |
| 152969001 | 26 20 | |
| 152970001 | 26 32 | |
| 152971001 | 26 29 | |
| 152973001 | 26 36 | |
| 152974001 | 26 41 | |
| 152976001 | 28 49 | |
| 152977001 | 28 52 | |
| 152978001 | 28 53 | |
| 152980001 | 8 52-1 | |
| 152981001 | 34 7 | |
| 152982209 | 38 T-1-2 | |
| 152983109 | 32 1-1 | |
| 152984052 | 32 1-2 | |
| 152985001 | 26 46 | |
| 152988001 | 36 R-5 | |
| 152989001 | 2 20 | |
| 152992001 | 26 24 | |
| 152995001 | 34 6 | |
| 1530033509 | 43 F-35 | |
| 1530035000 | 16 43 | |
| 1530040001 | 10 2 | |
| 1530041001 | 14 1-2 | |
| 1530042001 | 14 6-1 | |
| 1530043001 | 14 6-2-2 | |
| 1530044101 | 12 D-1 | |
| 1530045001 | 14 9 | |
| 1530047001 | 14 6 | |
| 1530048001 | 14 26 | |
| 1530049001 | 30 7 | |
| 1530050000 | 24 16-9 | |
| 1530053001 | 44 H-22 | |
| 1530054001 | 44 H-22 | |
| 1530055201 | 43 F-44 | |
| 1530057102 | 16 42 | |
| 1530058001 | 12 D-1-4 | |
| 153104001 | 20 17 | |
| 153108001 | 45 Z-13 | |
| 153109001 | 45 Z-13 | |

| CODE | page | REF.NO |
|------------|------------|--------|
| 153138001 | 30 46 | |
| 153141001 | 20 48 | |
| 153195001 | 20 43-3 | |
| 153201001 | 47 | |
| 153202001 | 47 | |
| 153203001 | 47 | |
| 153204001 | 47 | |
| 153205201 | 47 | |
| 153206201 | 47 | |
| 153207201 | 43 F-44 | |
| 153219001 | 34 46 | |
| 153220001 | 38 T-1-12 | |
| 153222001 | 34 45 | |
| 153222001 | 38 T-1-11 | |
| 153222001 | 34 8 | |
| 1533012000 | 44 H-15 | |
| 1533013000 | 44 H-16 | |
| 1533014001 | 44 H-22 | |
| 1533015001 | 44 H-22 | |
| 1533021001 | 44 H-22 | |
| 153303001 | 28 62 | |
| 1533031001 | 28 63-1 | |
| 1533062001 | 28 63-2 | |
| 1533067000 | 16 35-20 | |
| 1533068001 | 43 F-35-18 | |
| 1533070001 | 16 35-16 | |
| 1533071001 | 16 35-13 | |
| 1533074201 | 42 28 | |
| 1533096001 | 34 54 | |
| 1533097001 | 38 T-1-17 | |
| 1533097001 | 34 53 | |
| 1533098001 | 34 51 | |
| 1533098101 | 38 T-1-14 | |
| 153308101 | 43 F-35-8 | |
| 153308101 | 43 F-44 | |
| 153308101 | 14 26-2 | |
| 153308101 | 14 4 | |
| 153308101 | 26 47 | |
| 153308101 | 26 2-4 | |
| 153308101 | 26 2-7 | |
| 153308101 | 14 1-5 | |
| 153308101 | 26 44 | |
| 153308101 | 28 58 | |
| 153308101 | 14 1-4 | |
| 153308101 | 28 68 | |
| 153308101 | 28 69 | |
| 153308101 | 28 55 | |
| 153308101 | 8 63 | |
| 153308101 | 6 46-1 | |
| 153308101 | 18 20-1 | |
| 153308101 | 6 46-2 | |
| 153308101 | 18 20-2 | |

| CODE | page | REF.NO |
|------------|------|---------|
| 154339101 | 24 | 35-1 |
| 1543441001 | 24 | 35-2 |
| 1543556001 | 43 | F-35-18 |
| 154448001 | 38 | S-1-2 |
| 154449001 | 38 | S-1-6 |
| 154450001 | 38 | S-1-10 |
| 154451101 | 38 | S-1-11 |
| 154452001 | 38 | S-1-1 |
| 154465001 | 4 | 70 |
| 154526509 | 43 | F-35 |
| 154527001 | 43 | F-35-9 |
| 154528001 | 32 | 1-21-1 |
| 154540001 | 45 | Z-13 |
| 154541001 | 45 | Z-13 |
| 154542001 | 45 | Z-13 |
| 154543001 | 45 | Z-13 |
| 154681001 | 38 | S-1-14 |
| 154709002 | 38 | S-1 |
| 154738109 | 2 | 32-1 |
| 154760001 | 42 | 31 |
| 154785000 | 4 | 74 |
| 154788001 | 34 | 25 |
| 154789001 | 34 | 18-5 |
| 155336001 | 20 | 46 |
| 155337001 | 20 | 43-5 |
| 155499000 | 8 | 62 |
| 155500001 | 8 | 76 |
| 155501001 | 6 | 42 |
| 155523201 | 44 | J-10 |
| 156149001 | 45 | P-17 |
| 156150001 | 38 | T-1-10 |
| 156151001 | 45 | P-17 |
| 156152001 | 47 | |
| 156155001 | 47 | |
| 156206001 | 36 | Q-14 |
| 156495201 | 16 | 35-21 |
| 156936201 | 22 | 3 |
| 158686001 | 18 | 15 |
| 158687001 | 18 | 24 |
| 159610301 | 24 | 35 |
| 159612001 | 24 | 35-3 |
| 159613051 | 24 | 36 |
| 159805001 | 30 | 13 |
| 159808109 | 2 | 32 |
| 159977100 | 20 | 9 |
| 159978001 | 20 | 11 |
| 159979001 | 20 | 12 |
| 159984001 | 20 | 13 |
| 183686101 | 12 | D-9 |
| 402887001 | 24 | 16-7 |
| 500327301 | 24 | 16 |
| 500400000 | 24 | 16-11 |
| 500723001 | 6 | 33-2 |
| 500906001 | 47 | |
| 500907001 | 47 | |
| 500908001 | 47 | |
| S01300009 | 32 | 3 |
| S02761309 | 40 | 17 |
| S02773001 | 40 | 17-3 |
| S02778002 | 40 | 17-10 |

| CODE | page | REF.NO |
|------------|------|---------|
| S02786002 | 40 | 17-11 |
| S02787002 | 40 | 17-11-1 |
| S02878000 | 12 | D-21 |
| S03695001 | 8 | 83 |
| S03704002 | 24 | 14 |
| S06706001 | 46 | Z-16 |
| S07370102 | 30 | 37 |
| S07813001 | 20 | 51 |
| S07814001 | 20 | 52 |
| S09132051 | 14 | 12 |
| S09668001 | 32 | 1-16 |
| S10469001 | 30 | 18 |
| S11244001 | 34 | 44 |
| S12441001 | 30 | 48 |
| S13165201 | 44 | J-10 |
| S13166001 | 44 | J-10-1 |
| S18426001 | 38 | T-1 |
| S21120001 | 12 | D-26 |
| S21755001 | 20 | 44 |
| S21798001 | 40 | 17-9 |
| S31032001 | 30 | 15 |
| S31335001 | 6 | 33 |
| S31336001 | 6 | 33-1 |
| S34801001 | 6 | 5 |
| S34803001 | 6 | 8 |
| S34804001 | 6 | 30 |
| S34806001 | 6 | 18 |
| S34827001 | 22 | 24 |
| S34839001 | 14 | 35-4 |
| S35717001 | 30 | 36 |
| S35737001 | 12 | D-1-3 |
| S36687009 | 2 | 19-1 |
| S36689009 | 2 | 19-2 |
| S36690001 | 2 | 21 |
| S37311001 | 20 | 1 |
| S37321000 | 22 | 10-1-1 |
| S37322000 | 6 | 7 |
| S37331001 | 12 | E |
| S383336001 | 10 | 1 |
| S38349001 | 48 | Wa |
| S38350001 | 48 | Wa |
| S39110001 | 10 | 9 |
| S40639001 | 16 | 40 |
| S40641001 | 40 | 17-13 |
| S41213000 | 26 | 2-3 |
| S44483001 | 42 | 135-1-1 |
| S44485001 | 42 | 135-1-2 |
| S44486101 | 42 | 135-1-6 |
| S44493101 | 42 | 135-1 |
| S49592100 | 14 | 35-1 |
| S50007001 | 42 | 135 |
| S51282001 | 40 | 17-6 |
| S51283001 | 40 | 17-4 |
| S55663001 | 40 | 11 |

BROTHER INDUSTRIES, LTD
15-1, Naeshiro-cho, Mizuho-ku, Nagoya 467-8561, Japan. Phone : 81-52-824-2177

ブラザー工業株式会社
〒467-8561 名古屋市瑞穂区苗代町 15 番 1 号 TEL (052) 824-2392

パーツブック
PARTS BOOK

