



Home Sewing Machine

PARTS REFERENCE LIST

**MODEL: CS4000/CS6000/CS6000t/CS6000i
CS6000b/CS5000H/CS7000H
BC2100/BC2300/BC2500/BC1000
RS240/RS250/RS260
ES2000/ES2010/ES2020/ES2000t
ES2200/ES2210/ES2220
ES2400/ES2410/ES2420/CE4000
CE5000/CE5000PRW/HS1000
CS100t/comfort 40E/comfort 60E
EX-660/XR7700/JS50E/SM6500PRW
BC2100WT/XR6600/CS770**

MECHANISMS & ELECTRONICS

CONFIDENTIAL

Copyright © 2010 Brother Industries, Ltd.
All rights reserved.

CONTENTS

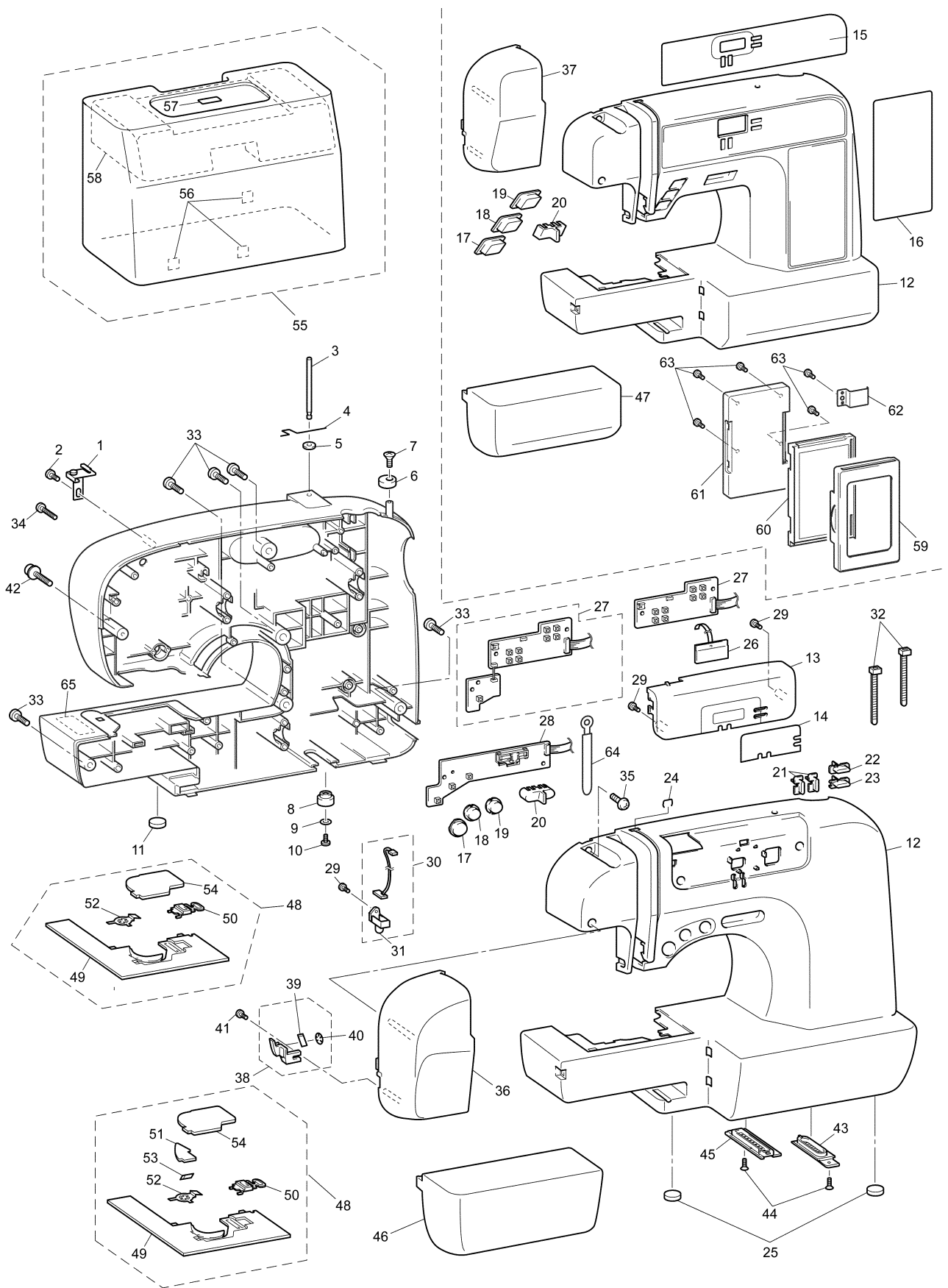
(1) PRINCIPAL PARTS.....	2
(2) UPPER SHAFT / NEEDLE BAR, PRESSER / ZIGZAG MECHANISM.....	8
(3) FEED / FEED ADJUSTMENT MECHANISM	10
(4) BOBBIN WINDER / THREAD GUIDE MECHANISM	12
(5) ELECTRONIC PARTS / MOTOR UNIT.....	14
(6) ATTACHMENTS / PRINTED MATTER / PACKING MATERIALS	16

Note on parts:

We keep performance parts for this sewing machine for at least 8 years after this model is discontinued. Performance parts are the necessary parts to maintain the function of the sewing machine.

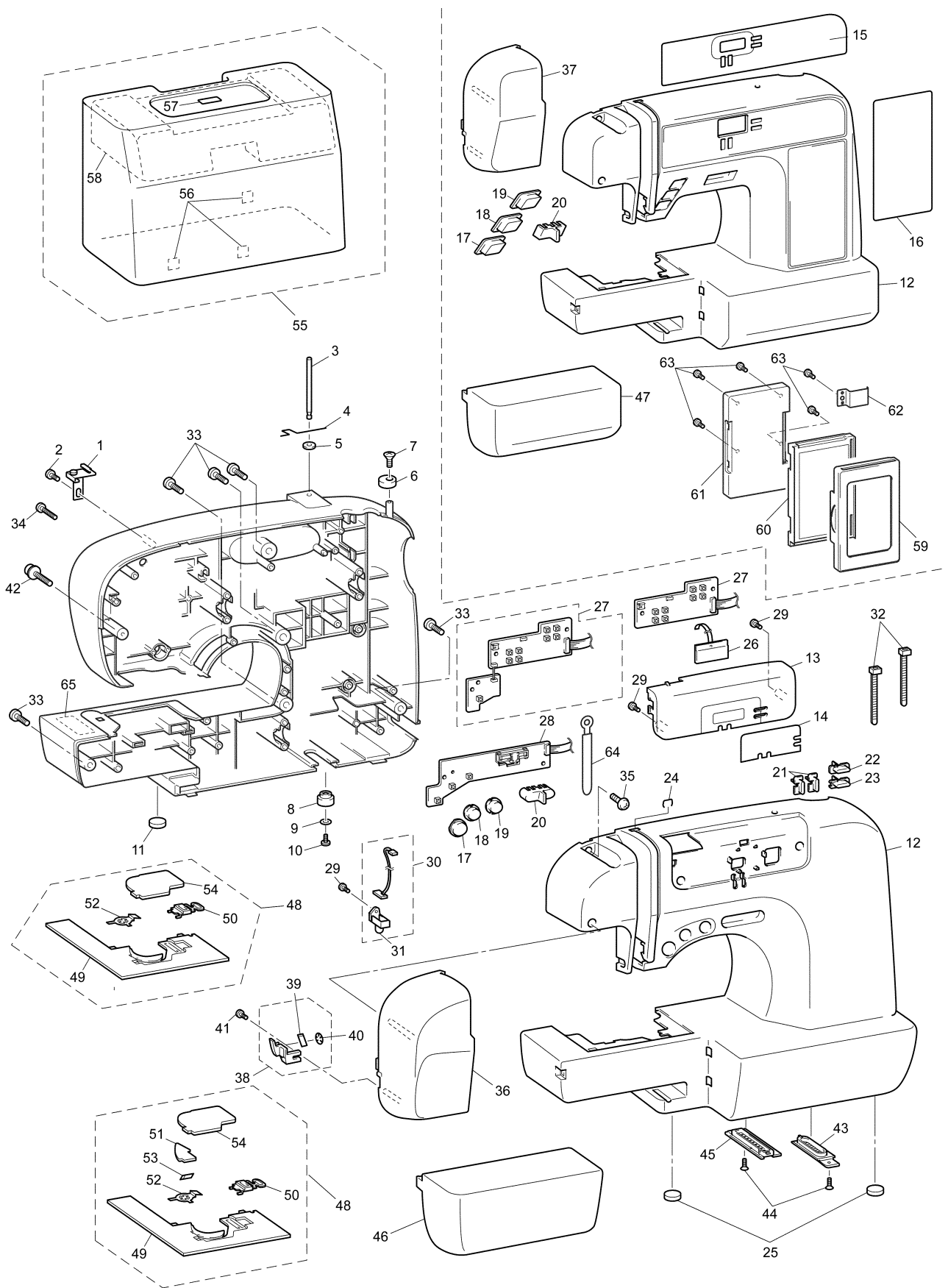
(1) PRINCIPAL PARTS

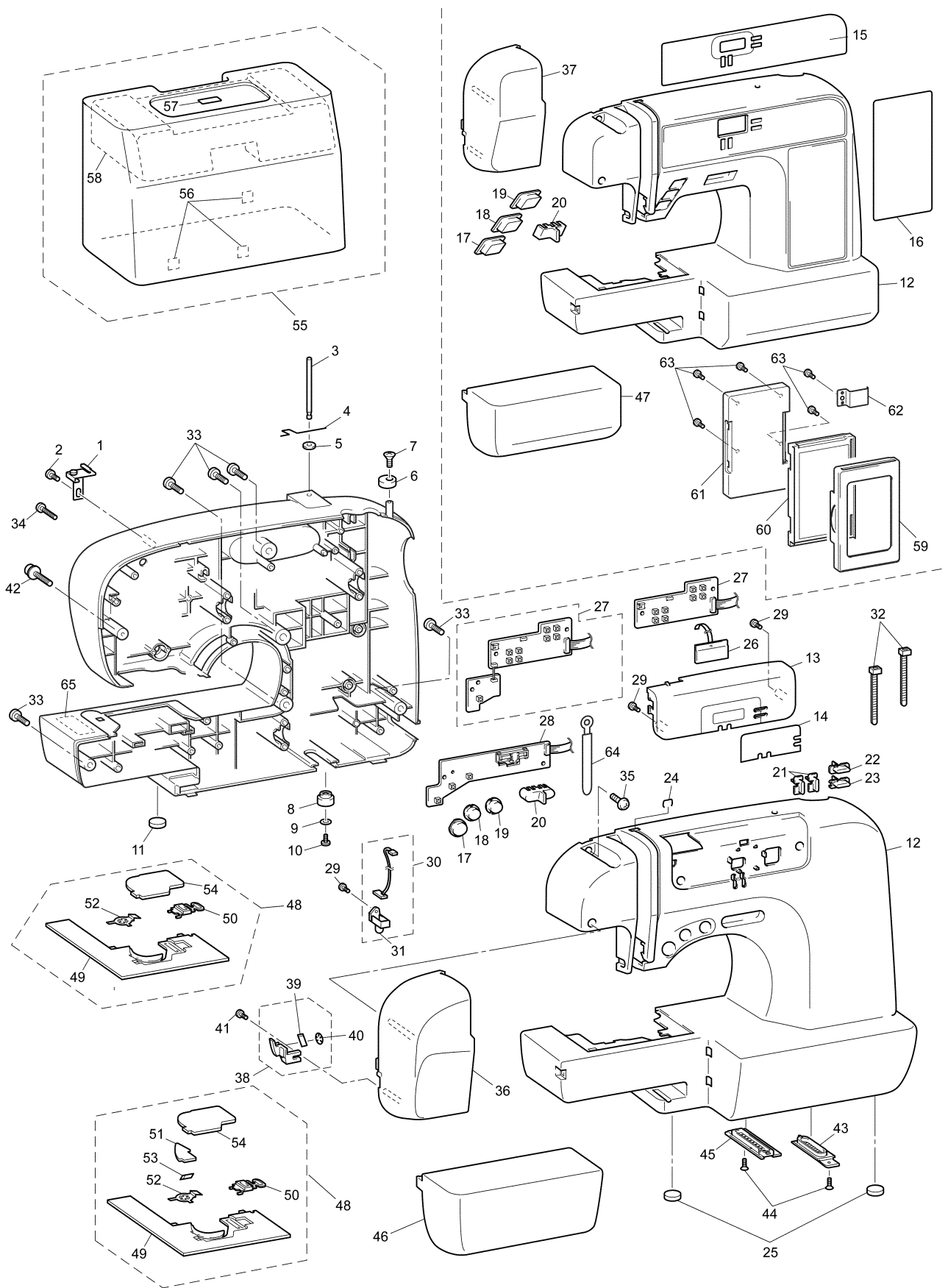
No.	CODE	NAME	REMARKS	No.	CODE	NAME	REMARKS
1	XC4846021	THREAD GUIDE ASSY		14	XC8707022	DECORATION PLATE (BC2300, BC2500: OTHER, RS250/260, CS6000*)	
2	XC3588021	GIZA TITE 4X12			XC8707025	DECORATION PLATE (CS5000H, SM6500PRW)	ADD
3	XC8701021	SPOOL PIN		15	XC8907021	DECORATION PLATE A (ES2000: USA, GUF, ES2000t)	
4	XA0628121	SPOOL PIN SPRING			XC8907022	DECORATION PLATE A (ES2000: OTHER)	
5	XA8851021	SPOOL PIN STAND	050073		XC8907028	DECORATION PLATE A (ES2200)	
6	XC4481121	BOBBIN PRESSER			XC8907029	DECORATION PLATE A (ES2010)	
7	XZ5031001	TAPTITE PAN P (S/P W) 3X12	060058		XC8907030	DECORATION PLATE A (ES2210)	
8	138337022	RUBBER CUSHION A	050098		XC8907031	DECORATION PLATE A (ES2020)	
9	026350235	WASHER PLAIN M 3.5			XC8907032	DECORATION PLATE A (ES2220)	
10	083361216	TAPTITE PAN B M3.5X12			XC8907023	DECORATION PLATE A (ES2400: U.S.A.)	
11	XC4077021	BASE PLATE RUBBER			XC8907024	DECORATION PLATE A (ES2400: OTHER)	
12	XC8703121	FRONT COVER (CS4000/5000H, BC2100/2100WT, RS240)	050232		XC8907026	DECORATION PLATE A (ES2410)	
	XC8703122	FRONT COVER (BC2300)	050232		XC8907027	DECORATION PLATE A (ES2420)	
	XC8906021	FRONT COVER (ES20**/22**, comfort 40E, CS770, CE4000/5000*, JS50E)	1000011867		XC8907039	DECORATION PLATE A (comfort 40E)	
	XC8920121	FRONT COVER (CS6000/6000t/6000b, CS6000i: BRA, ARG, PRY, BC2500, RS260)			XC8907040	DECORATION PLATE A (comfort 60E)	
	XC8926121	FRONT COVER (ES24**, comfort60E, CS100t/7000H, EX-660, HS1000)	1000001653		XC8907041	DECORATION PLATE A (CS100t)	
	XC8703123	FRONT COVER (RS250)	ADD		XC8907046	DECORATION PLATE A (EX-660)	ADD
	XC8920124	FRONT COVER (CS6000i)	ADD		XC8907047	DECORATION PLATE A (CE4000)	ADD
	XC8926123	FRONT COVER (XR7700)	ADD		XC8907048	DECORATION PLATE A (BC1000)	ADD
	XC8920126	FRONT COVER (SM6500PRW)	1000006064		XC8907049	DECORATION PLATE A (HS1000)	ADD
	XC8906022	FRONT COVER (XR6600)	1000007588		XC8907051	DECORATION PLATE A (CS7000H)	ADD
13	XC8705025	FRONT PANEL (CS4000)			XC8907052	DECORATION PLATE A (XR7700)	ADD
	XC8705021	FRONT PANEL (BC2100, BC2100WT)			XC8907056	DECORATION PLATE A (CE5000PRW)	1000007194
	XC8705027	FRONT PANEL (BC2300)			XC8907055	DECORATION PLATE A (JS50E)	1000006807
	XC8705028	FRONT PANEL (RS240)			XC8907057	DECORATION PLATE A (XR6600)	1000007588
	XC8705026	FRONT PANEL (CS6000/6000t/6000b)			XC8907058	DECORATION PLATE A (CS770)	1000008135
	XC8705031	FRONT PANEL (CS6000i)	ADD		XC8907059	DECORATION PLATE A (CE5000)	1000011867
	XC8705022	FRONT PANEL (BC2500: OTHER)		16	XC8909021	DECORATION PLATE B (ES2000: USA, GUF, ES2000t)	
	XC8705029	FRONT PANEL (RS260)			XC8909022	DECORATION PLATE B (ES2000: OTHER)	
	XC8705030	FRONT PANEL (BC2500: AUSTRALIA)			XC8909036	DECORATION PLATE B (ES2200)	
	XC8705032	FRONT PANEL (RS250)	ADD		XC8909037	DECORATION PLATE B (ES2010)	
	XC8705033	FRONT PANEL (CS5000H)	ADD		XC8909038	DECORATION PLATE B (ES2210)	
	XC8705035	FRONT PANEL (SM6500PRW)	1000006064		XC8909039	DECORATION PLATE B (ES2020)	
14	XC8707021	DECORATION PLATE (CS4000, RS240, BC2100/2100WT, BC2500: AUS)			XC8909040	DECORATION PLATE B (ES2220)	
					XC8909023	DECORATION PLATE B (ES2400: U.S.A.)	
					XC8909024	DECORATION PLATE B (ES2400: OTHER)	
					XC8909034	DECORATION PLATE B (ES2410)	
					XC8909035	DECORATION PLATE B (ES2420, CS100t)	
					XC8909041	DECORATION PLATE B (comfort 40E)	



(1) PRINCIPAL PARTS

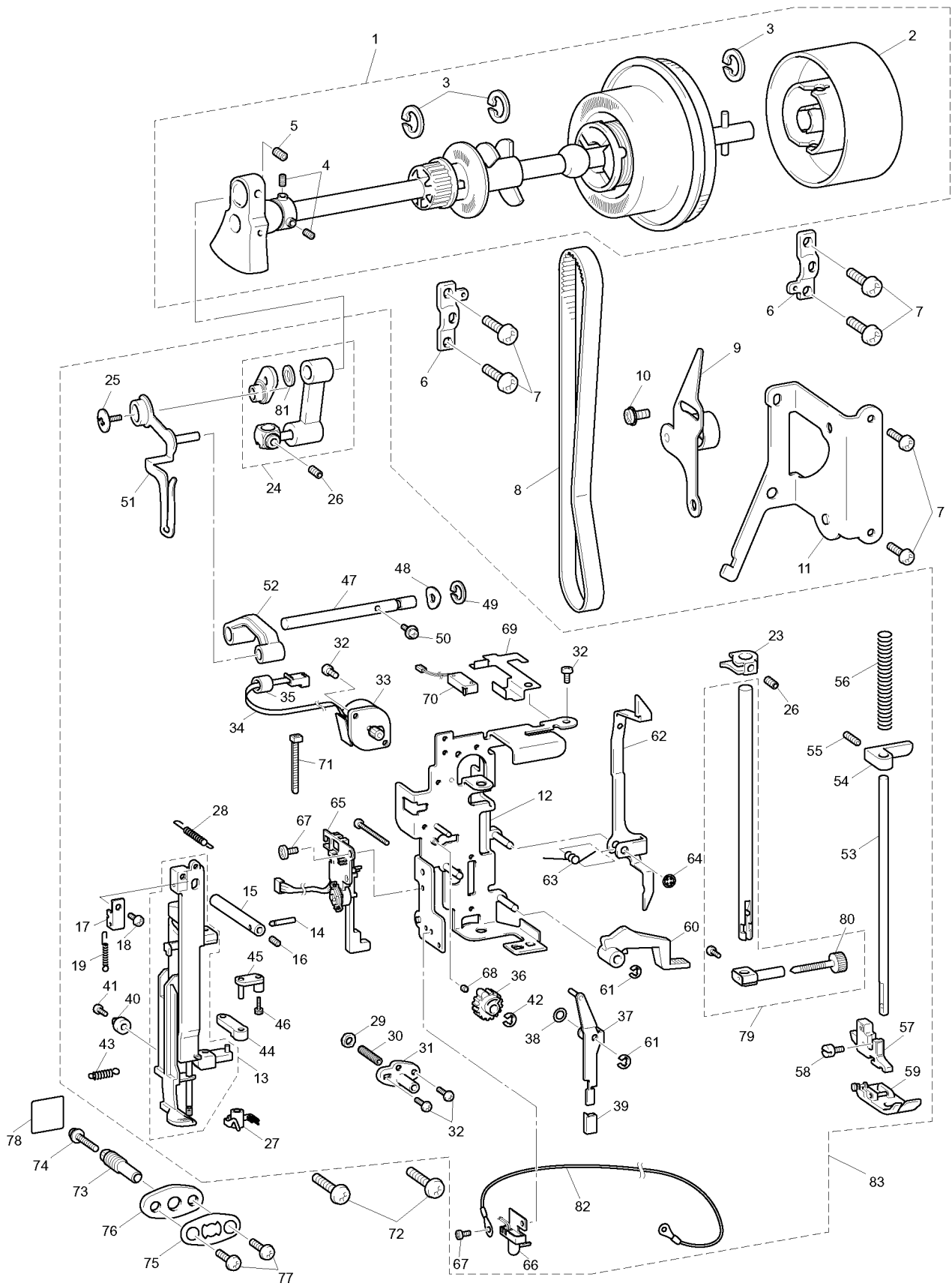
No.	CODE	NAME	REMARKS	No.	CODE	NAME	REMARKS
16	XC8909042	DECORATION PLATE B (comfort 60E)		22	XC8913021	MANUAL BUTTON A (CS7000H/100t/770, BC1000, ES2000*/2020/22**/24**, CE4000/5000*, HS1000, comfort40E/60E, EX-660, XR6600/7700, JS50E)	
	XC8909060	DECORATION PLATE B (EX-660)	ADD				
	XC8909061	DECORATION PLATE B (CE4000)	ADD				
	XC8909062	DECORATION PLATE B (BC1000)	ADD				
	XC8909064	DECORATION PLATE B (HS1000)	ADD				
	XC8909065	DECORATION PLATE B (CS7000H)					
	XC8909066	DECORATION PLATE B (CE5000*)	1000006069				
	XC8909067	DECORATION PLATE B (JS50E)	1000006807				
	XC8909068	DECORATION PLATE B (CS770)	1000008135				
17	XC8922121	SS BUTTON (CS6000*, BC2500, RS260, SM6500PRW)	1000009255	23	XC8712021	MANUAL BUTTON B (CS4000/6000*/5000H, SM6500PRW, BC2100*/2300/2500, RS240/250/260)	
	XC8928021	SS BUTTON (ES24**, comfort60E, CS100t, EX-660, BC1000, HS1000, CS5000H, XR7700)					
18	XC8709021	BACKSTITCHING BUTTON (CS4000/6000*/5000H, SM6500PRW, BC2100*/2300/2500, RS240/250/260)		24	X53625121	UPPER COVER THREAD GUIDE	
	XC8911021	BACKSTITCHING BUTTON (ES20**/22**/2400, comfort 40E/60E, CS7000H/100t/770, EX-660, BC1000, CE4000/5000*, XR7700, JS50E, XR6600)					
19	XC8923021	NP BUTTON (CS6000*, BC2500, RS260, SM6500PRW)		25	XC4077021	BASE PLATE RUBBER	
	XC8929021	NP BUTTON (ES24**, comfort60E, CS100t, EX-660, BC1000, HS1000, CS7000H, XR7700)		26	XC9822021	LCD SUPPLY ASSY	
20	XC8924021	SV KEYPAD (CS6000*, BC2500, RS260, SM6500PRW)		27	XC9823021	OPERATION PCB SUPPLY ASSY (CS4000/5000H, BC2100/2300, RS240/250/260)	
	XC8930021	SV KEYPAD (ES24**, comfort60E, CS100t, EX-660, BC1000, HS1000, CS7000H, XR7700)					
21	XC8710021	SELECTING BUTTON (CS4000/6000*/5000H, RS240/250/260, BC2100*/2300/2500, SM6500PRW)		28	XC9824021	OPERATION PCB SUPPLY ASSY (CS6000*/7000H/100t, comfort60E, RS260, BC2500/1000, ES24**, EX-660, HS1000, XR7700, SM6500PRW)	
	XC8912021	SELECTING BUTTON (ES2000*/2020/22**/24**, comfort40E/60E, CS7000H/100t/770, EX-660, BC1000, CE4000/5000*, HS1000, XR6600/7700, JS50E)					
22	XC8711021	MANUAL BUTTON A (CS4000/6000*/5000H, RS240/250/260, BC2100*/2300/2500, SM6500PRW)		29	085311015	TAPTITE BIND B M3X10	
				30	XC9825021	LED LAMP RIGHT SUPPLY ASSY	
				31	XC3506021	LED LAMP HOLDER R	
				32	X53169020	BAND	1000003208
				33	XZ5049001	GIZA TITE (S/P W) 5X18	1000003021
				34	XE2261001	GIZA TITE (S/PW) 4X25	1000001218
				35	XC3588021	GIZA TITE 4X12	
				36	XC8728021	FACE PLATE A (CS4000/6000*/5000H, SM6500PRW, BC2100*/2300/2500, RS240/250/260)	





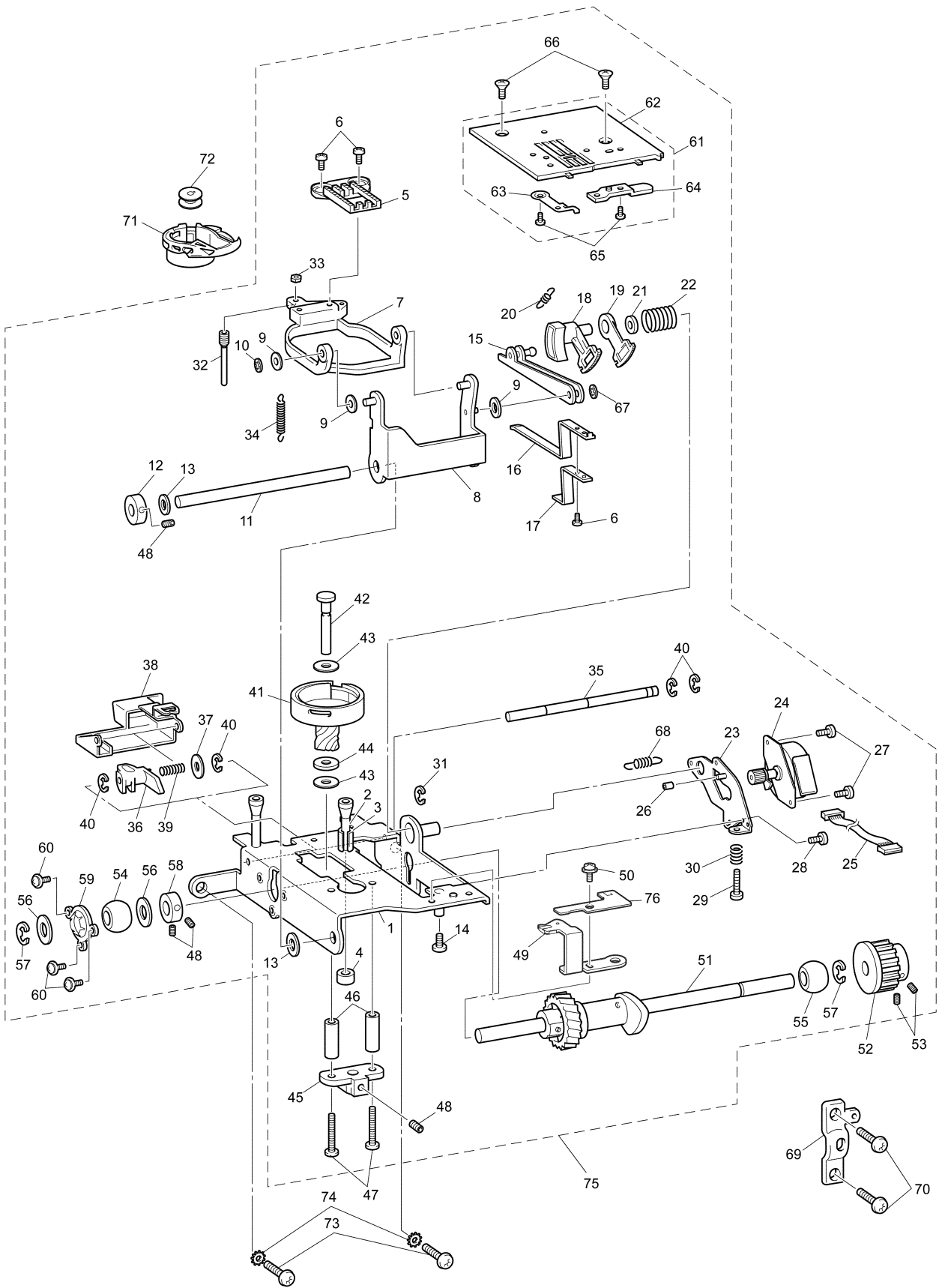
(2) UPPER SHAFT / NEEDLE BAR, PRESSER / ZIGZAG MECHANISM

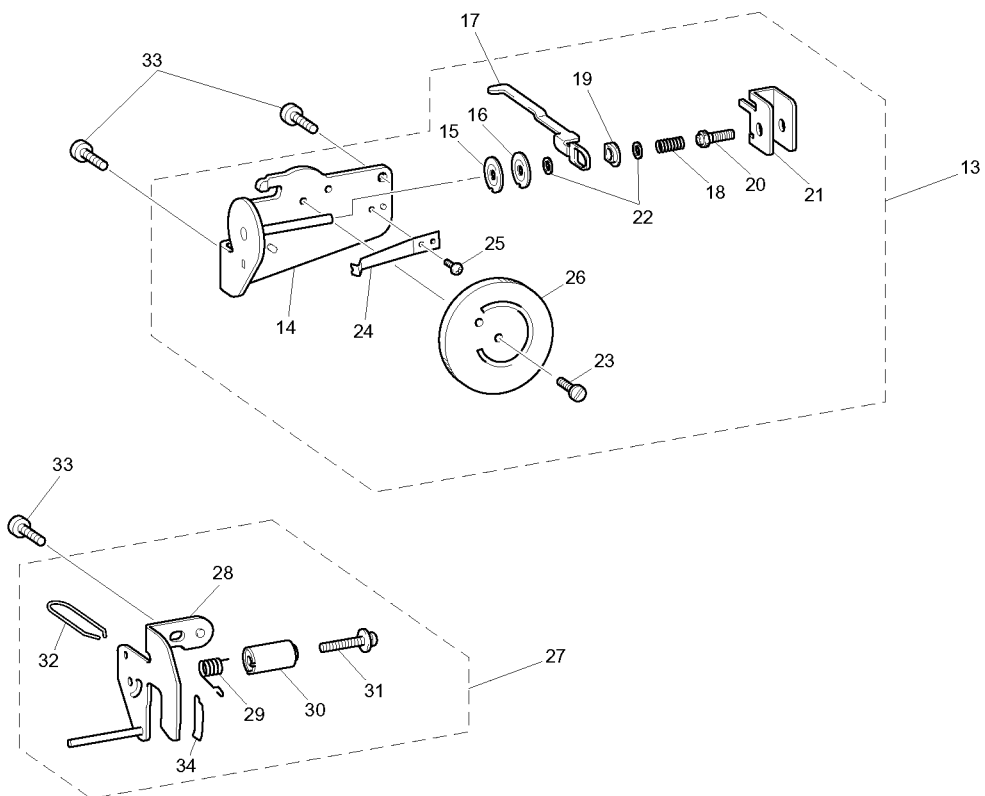
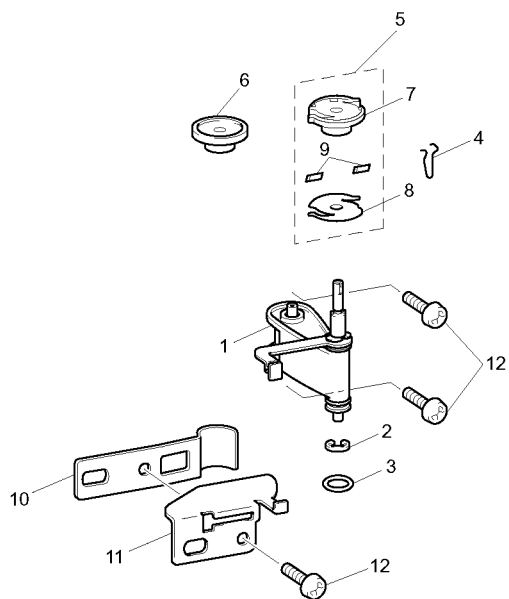
No.	CODE	NAME	REMARKS	No.	CODE	NAME	REMARKS
UPPER SHAFT MECHANISM				43	XC2748021	SPRING-Z	
1	XE3703001	UPPER SHAFT SUPPLY ASSY	1000006160	44	XC2436021	NEEDLE HOLDER BLOCK	
2	XC3529021	PULLEY		45	XC2437021	SHAFT ASSY	
3	048060346	RETAINING RING E6	1000001451	46	XC3037021	SCREW3X10	
4	014400432	SET SCREW SOCKET (CP) M4X4		47	XC8765121	SHAFT	1000003523
5	012500532	SET SCREW SOCKET (FT) M5X5		48	XZ5030001	WASHER, SPRING	060059
6	XC3534121	UPPER SHAFT BEARING PRESSER		49	048050346	RETAINING RING E5	1000001451
7	XC3496021	GIZA TITE 5X16		50	XC3338021	SCREW 3X8	
8	XE5842001	TIMING BELT 420-5KC-6	1000010865	51	XC8564031	THREAD TAKE-UP LEVER	
9	XC4870021	TENSION PULLEY ASSY		52	XC4897020	THREAD TAKE-UP LEVER LINK	
10	0A4400806	SCREW PAN (S/P WASHER) M4X8		53	XC4898021	PRESSER BAR	
11	XC8739020	TENSION PULLEY HOLDER		54	XC4899121	PRESSER BAR CLAMP	050261
NEEDLE BAR, PRESSER MECHANISM				55	XC7207021	SCREW STUD M5	050037
12	XC8741121	BASE HOLDER ASSY	1000003523	56	XC4900021	SPRING	
13	XC8741121 XE8695001	NEEDLE BAR SUPPORTER ASSY	1000019598	57	XC3015031	PRESSER FEED HOLDER ASSY	
14	XC2420020	SHAFT		58	132730122	TIGHTENING SCREW 3.57	
15	XC8754021	NEEDLE HOLDER SHAFT A		59	XC3021031	Z FOOT	
16	014300532	SET SCREW SOCKET (CP) M3X5		60	XC4902021	PRESSER FOOT LIFTER	
17	XC8755020	PLATE		61	048040346	RETAINING RING E4	1000001451
18	060300516	SCREW BIND M3X5		62	XC8766020	THREAD RELEASE LEVER	
19	X50476021	SPRING		63	XC4904121	SPRING	
20	XC8567131	NEEDLE BAR ASSY	DEL 050205	64	146200021	RETAINING RING, CS4	
24	XC8560131	NEEDLE BLOCK ASSY	DEL 050205	65	XC8767021	BH SWITCH ASSY	
22	X58913021	BIND 2X3	DEL 050205	66	XC9827021	LED LAMP LEFT SUPPLY ASSY	
23	XC2434021	NEEDLE THREAD BLOCK		67	0A4400806	SCREW PAN (S/P WASHER) M4X8	
24	XC6562131	NEEDLE BAR CRANK ROD ASSY	060084	68	XC8773020	RUBBER	
25	132051022	SCREW, FLAT SM3.57-40X7 L	060175	69	XC8774021	PRESSER SWITCH HOLDER	
26	012400432	SET SCREW SOCKET (FT) M4X4		70	XC8775021	PF SWITCH ASSY, LE	
27	XA1854051	THREADER HOOK ASSEMBLY		71	XE2839001	BAND	1000003208
28	XC2429021	SPRING		72	XC4961021	GIZA TITE 5X20	
29	X56851021	LOCK NUT		73	XC4905121	ADJUSTING SCREW	060047
30	014401232	SET SCREW SOCKET (CP) M4X12		74	060302506	SCREW BIND M3X25	050143
31	XC8756021	SHAFT BUSHING		75	XC6056120	PLATE SPRING	060029
32	060300616	SCREW BIND M3X6		76	XC4906020	ADJUSTING PLATE	
33	XC8757021	Z PULSE MOTOR: M35SP-9N		77	085411015	TAPTITE BIND B M4X10	
34	XC8759021	LEAD WIRE ASSY, ZPM-LE		78	XC4907021	LABEL	
35	XC5409021	FERRITE CORE: FSRB140140RNB00T		79	XE3825001	NEEDLE BAR ASSY N	1000006524
36	XC8760020	Z ZIGZAG CAM		80	XE3827001	NEEDLE CLAMP SCREW	1000006524
37	XC8761121	Z ZIGZAG LEVER ASSY	1000003984	81	X53330020	WASHER	1000004412
38	XC8764020	Z LEVER CAP		82	XE3856001	LEAD WIRE ASSY: GROUND (C8G*****~)	1000007695
39	137713020	POLYESTER SLIDER		83	XE4804201	NEEDLE UNIT SUPPLY ASSY CP1 (OTHER)	1000019598
40	XC2435020	ZIGZAG ADJUSTING NUT			XE4805001	NEEDLE UNIT SUPPLY ASSY CP2 (ES**** for EUROPE)	1000007800
41	018301032	BOLT SOCKET M3X10			XE6416101	NEEDLE UNIT SUPPLY ASSY CP3 (XR7700)	1000019598
42	048030346	RETAINING RING E3	1000001451				



(3) FEED / FEED ADJUSTMENT MECHANISM

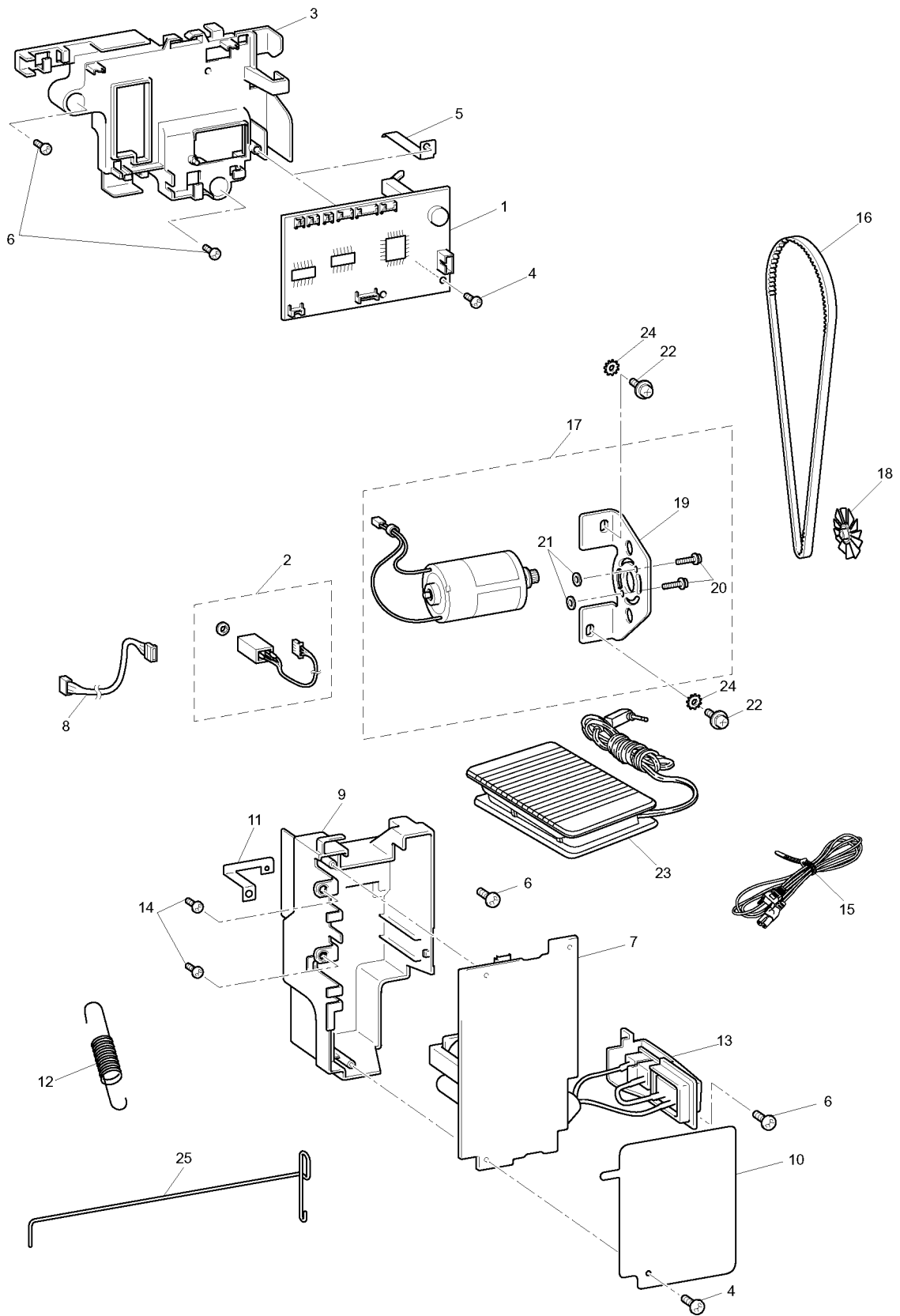
No.	CODE	NAME	REMARKS	No.	CODE	NAME	REMARKS
FEED MECHANISM							
1	XC8778221	BASE PLATE ASSY	1000016418	44	137976021	WASHER 6	
2	XC8782021	NEEDLE PLATE SUPPORTER SHAFT B		45	XC4937020	SHAFT SUPPORTER	
3	XC8783020	FEED ARM SUPPORTER		46	XC4938020	COLLAR	
4	021300106	NUT 1 M3		47	XC6551021	SCREW, PAN (S/P WASHER) M4X22	
5	XC5467131	FEED DOG	1000007241	48	014400432	SET SCREW SOCKET (CP) M4X4	
6	060300616	SCREW BIND M3X6		49	XE7558001	INNER ROTARY HOOK BRACKET ASSY	1000016400
7	XC8785021	FEED BAR		50	0A5300806	SCREW PAN (S/P WASHER) M3X8	1000015250
8	XC8786121	FEED ARM A ASSY	1000003468	51	XC8796021	LOWER SHAFT ASSY	
9	137999020	POLYESTER SLIDER		52	XC4943021	TIMING PULLEY D	
10	146200021	RETAINING RING, CS4		53	014500532	SET SCREW SOCKET (CP) M5X5	
11	XC8789021	HORIZONTAL FEED SHAFT		54	X52664020	LOWER SHAFT BUSHING	
12	130676121	SET SCREW COLLAR		55	XC3792020	UPPER SHAFT BUSHING	
13	X50546020	WASHER, THRUST		56	X51383020	WASHER, THRUST	
14	060301206	SCREW BIND M3X12	050179	57	048060346	RETAINING RING E6	1000001451
15	XC4924021	FEED ARM ASSY		58	XC8798021	SET COLLAR	
16	XC4927021	FEED SUPPORTING PLATE		59	XC4944021	BUSHING PRESSER B	
17	XC4928120	FEED SUPPORTING PLATE B	1000000733	60	085310615	TAPTITE BIND B M3X6	
18	XC2527121	FEED ADJUSTER	1000000154	61	XC8565231	NEEDLE PLATE A ASSY	1000018284
19	XC2529020	F GEAR		62	XC8566031	NEEDLE PLATE A	
20	XC2530021	SPRING		63	XE8145001	STOPPER PLATE	1000017313
21	137713020	POLYESTER SLIDER		64	XE8544001	F GEAR STOPPER PLATE	1000018284
22	XC2531021	SPRING		65	060260316	SCREW BIND M2.6X3	
23	XC8791021	FPM HOLDER SUB ASSY		66	X50487021	SCREW M4	1000010447
24	XC8757021	Z PULSE MOTOR: M35SP-9N		67	X56655021	RETAINING RING: CSTW-3.5	
25	XC8793021	LEAD WIRE ASSY, FPM-LE		68	XC6364021	SPRING	
26	XC8773020	RUBBER		69	XC3534121	UPPER SHAFT BEARING PRESSER	
27	060300416	SCREW BIND M3X4		70	XC3496021	GIZA TITE 5X16	
28	XC3338021	SCREW3X8		71	XE7560001	INNER ROTARY HOOK ASSY	1000016400
29	018402533	BOLT SOCKET M4X25	1000002623	72	X52800120	BOBBIN	
30	XC2537021	SPRING		73	XC3805021	GIZA TITE 5X16	
31	XC9924021	RETAINING RING 10		74	XZ5053001	WASHER EX TOOTH 5	1000004713
32	XC3941021	VERTICAL ADJUSTER SCREW ASSY		75	XE4812401	FEED UNIT SUPPLY ASSY CP3	1000018284
33	XC2546021	M5 NUT		76	XE7323101	IRH BRACKET SUPPORT PLATE	1000016146
34	XC4935021	SPRING					
35	XC8794021	VERTICAL FEED SHAFT					
36	XC2551020	VERTICAL LEVER					
37	025040332	WASHER PLAIN L 4					
38	XC8795121	DROP KNOB	1000007782				
39	XC2550021	SPRING					
40	048030346	RETAINING RING E3	1000001451				
41	XD0115021	OUTER ROTARY HOOK ASSY					
42	XD1943021	OUTER ROTARY HOOK SHAFT	050320				
43	137805022	SPACER	050246				





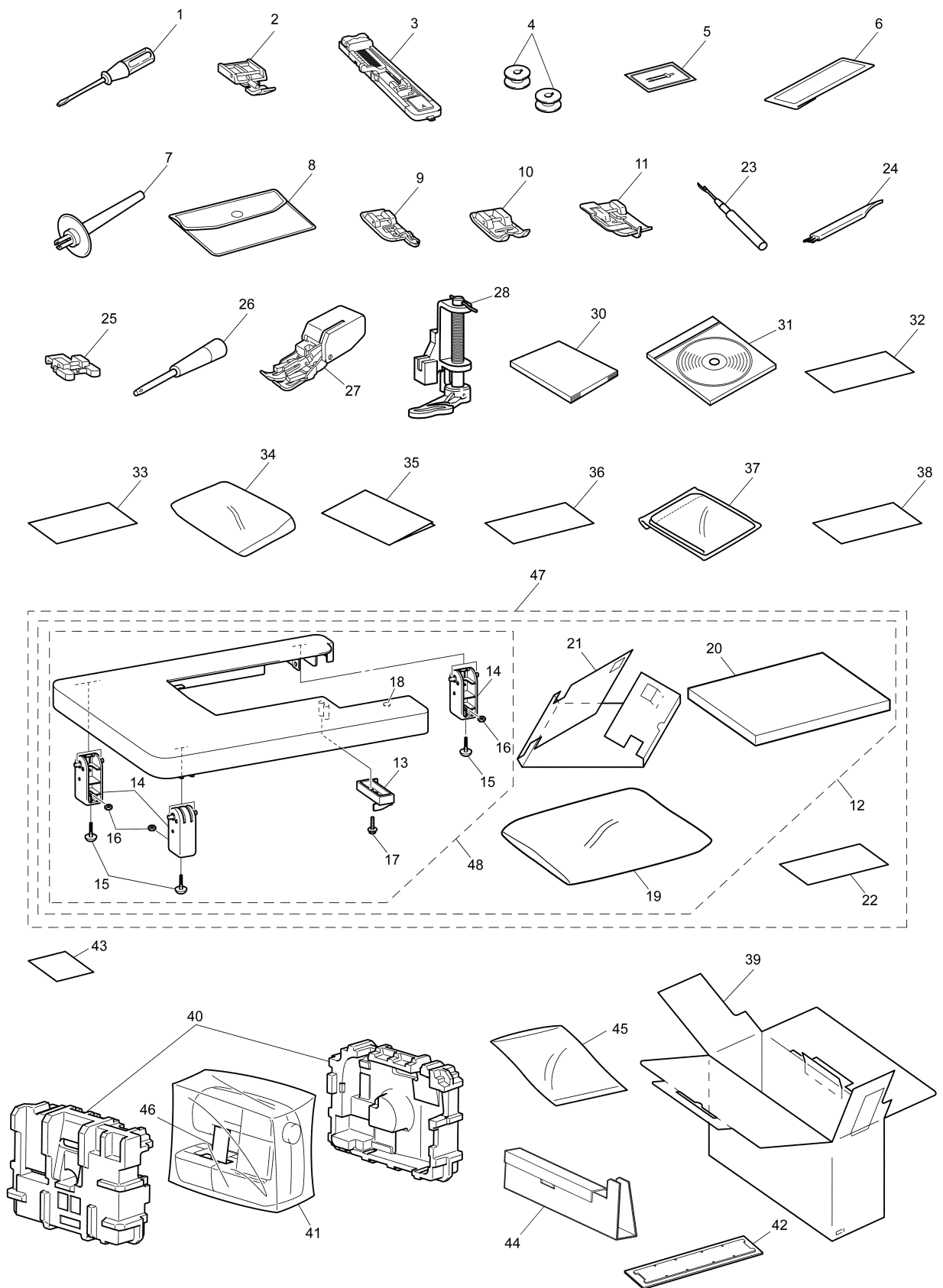
(5) ELECTRONIC PARTS / MOTOR UNIT

No.	CODE	NAME	REMARKS	No.	CODE	NAME	REMARKS
ELECTRONIC PARTS							
1	XC9828221	MAIN PCB SUPPLY ASSY – 40 (~B8G*****) (CS4000/5000H/770, BC2100, RS240, ES20**, comfort 40E, CE4000, XR6600)	1000007690	13	XC8940121	INLET ASSY, LE230 (BC2100*/2300/2500, RS240/250/260, ES2000, ES2400: OTHER, ES2020, ES2410, ES2420, CE4000: OTHER, XR6600, comfort 40E/60E, JS50E, CS6000i: OTHER)	
	XC9828321	MAIN PCB SUPPLY ASSY – 40 (C8G*****) (CS4000/5000H/770, BC2100, RS240, ES20**, comfort 40E, CE4000, XR6600)	1000007690	14	060400816	SCREW BIND M4X8	
	XD0007221	MAIN PCB SUPPLY ASSY – 50 (~B8G*****) (BC2300, ES22**, RS250, CE5000*, JS50E)	1000007690	15	XC6052021	POWER SUPPLY CORD: UL CSA-LF (CS4000/6000*/5000H/7000H/100t/770, BC1000, ES2000: U.S.A., ES2000t, ES2400: U.S.A., CE4000/5000*, HS1000, EX-660, XR7700, SM6500PRW)	
	XD0007321	MAIN PCB SUPPLY ASSY – 50 (C8G*****) (BC2300, ES22**, RS250, CE5000*, JS50E)	1000007690		X59354121	POWER SUPPLY CORD - BS (U.K., IRE, HKG)	
	XC9835221	MAIN PCB SUPPLY ASSY – 60 (~B8G*****) (CS6000*/100t, BC2500/1000, RS260, ES24**, HS1000, comfort 60E, EX-660, SM6500PRW)	1000007690		XA0070121	POWER SUPPLY CORD (BC2100/2300/2500: OTHER, JS50E RS240/250/260, ES2000/2400: OTHER, ES2020/2220: EUR, ES2200: FRA, ES2410, ES2420, comfort 40E/60E, CE4000: OTHER, CS6000i: OTHER)	
	XC9835321	MAIN PCB SUPPLY ASSY – 60 (C8G*****) (CS6000*/100t, BC2500/1000, RS260, ES24**, HS1000, comfort 60E, EX-660, SM6500PRW)	1000007690		XC9548021	POWER SUPPLY CORD: SAA-LF (BC2100: AUS, KOR)	1000012537
	XE2368101	MAIN PCB SUPPLY ASSY – 70-1 (XR7700)	1000007690		XE3210001	POWER SUPPLY CORD: BRZ (BRA)	1000003957
	XE1869101	MAIN PCB SUPPLY ASSY – 70 (CS7000H)	1000007690		XE2016001	POWER SUPPLY CORD KOR (KOR)	1000003436
2	XC9830021	FC JACK SUPPLY ASSY – 120			XD0111151	POWER SUPPLY CORD: IRAM (ARG)	1000008314
	XC9832021	FC JACK SUPPLY ASSY - 230		MOTOR UNIT			
3	XC8809121	SHUTTER COVER	1000013404	16	XE5843001	TIMING BELT 2M-372-6	1000010865
4	085311015	TAPTITE BIND B M3X10		17	XD1827021	MAIN MOTOR SUPPLY ASSY	050268
5	XC8810020	MAIN PCB PLATE SPRING (~B8G*****)	1000007695	18	XC3803020	MOTOR FAN	
6	087411416	TAPTITE CUP B M4X14		19	XC8815021	MOTOR HOLDER	
7	XC9831021	POWER PCB SUPPLY ASSY - 120		20	0A5300806	SCREW PAN (S/P WASHER) M3X8	
	XC9833021	POWER PCB SUPPLY ASSY - 230		21	XC9689020	WASHER3	
8	XC8824021	LEAD WIRE ASSY, POWER-LE		22	XC3805021	GIZA TITE 5X16	
9	XC8825021	INSULATION COVER		23	XC8816021	FOOT CONTROLLER: FC-322-81-LF	
10	XC8826021	INSULATOR SHEET			XD0501021	FOOT CONTROLLER: FC-322-LF-EU (Except: BC2300, RS250: Russia)	1000010886
11	XC8827020	POWER PLATE SPRING		24	XZ5053001	WASHER EX TOOTH 5	1000004713
12	XE3728001	SPRING (~B8G*****)	1000007695	25	XE3728001	SPRING (C8G*****)	1000007695
13	XC9264021	INLET ASSY, LE100 (BC2500: TAIWAN, ES2400: TAIWAN)	050165				
	XC8829021	INLET ASSY, LE120 (CS4000/6000*/5000H/7000H/100t/770, BC1000, ES2000/2000t, ES2400: U.S.A., CE4000: U.S.A., CE5000*, EX-660, HS1000, XR7700, SM6500PRW)					



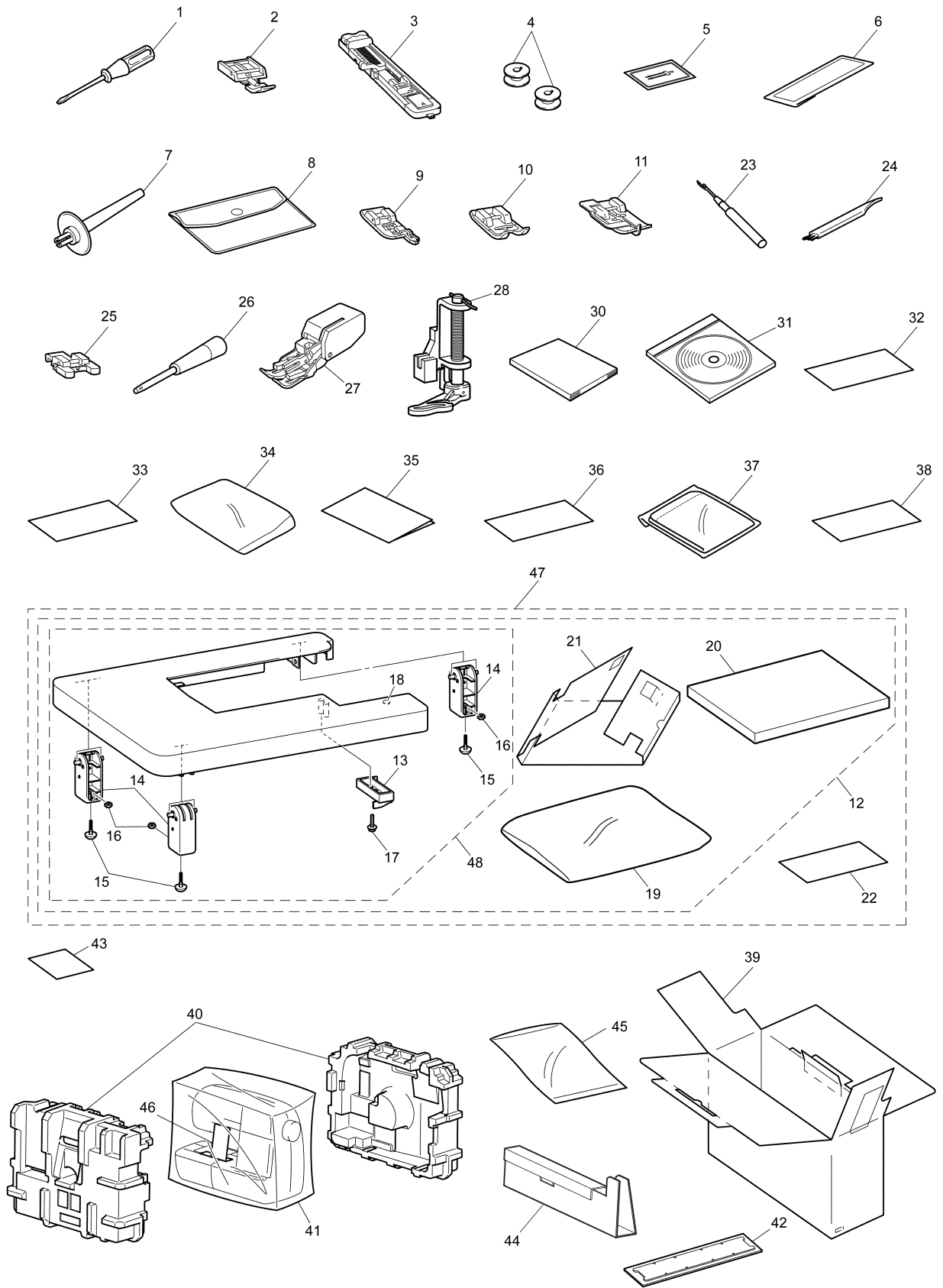
(6) ATTACHMENTS / PRINTED MATTER / PACKING MATERIALS

No.	CODE	NAME	REMARKS	No.	CODE	NAME	REMARKS
ATTACHMENTS							
1	XC8349021	SCREW DRIVER	060020		XE0754001	NARROW HEMMER (CS6000b, XR7700, SM6500PRW)	100002058
2	X59370021	ZIPPER FOOT			XD0360021	NEEDLE SET G	1000017374
3	XC2691033	BH PRESSER FOOT ASSY	050040	PRINTED MATTER			
4	X52800120	BOBBIN		30	XC8835721	INSTRUCTION BOOK ENG	1000008097
5	131096121	NEEDLE SET (1 PCE)			XC8893021	INSTRUCTION BOOK SPA	
6	XC8834021	NEEDLE SET			XC8972021	INSTRUCTION BOOK GER	
7	130920021	EXTRA SPOOL PIN			XC8464021	INSTRUCTION BOOK SWE	
8	XC4487021	ACCESSORY BAG			XC8435021	INSTRUCTION BOOK ITA	
9	XE6305101	OVERCASTING STITCH FOOT ASSY	1000017761		XC8436021	INSTRUCTION BOOK DEN	
10	XD0810031	TRANSPARENCY PRESSER FOOT	050107		XC9943121	INSTRUCTION BOOK RUS	050192
11	XC4051031	BLIND STITCH FOOT ASSY			XC9656021	INSTRUCTION BOOK FIN	
(CS6000t/6000i/100t, EX-660, ES2000t, XR7700, SM6500PRW)					XC8433021	INSTRUCTION BOOK (FRA, CAN, GUF)	ADD
12	XC9356021	LE WIDE TABLE ASSY			XC8434021	INSTRUCTION BOOK (DUT)	
13	XC9360021	FIXING PLATE A			XE1667001	INSTRUCTION BOOK NOR	060231
14	XC4495021	TABLE FOOT			XE7586001	INSTRUCTION BOOK KOR (KOR)	1000016304
15	XD1223021	ADJUSTING FOOT	050196		XE7585001	INSTRUCTION BOOK TC (TWN, HKG)	1000016263
16	021400206	NUT 2 M4			XD1482021	INSTRUCTION BOOK CHN	1000007021
17	087411416	TAPTITE CUP B M4X14			XE4538001	INSTRUCTION BOOK BR (CS6000i: BRA)	1000007560
18	X59853020	RUBBER CUSHION			XE4539001	INSTRUCTION BOOK BR (CE4000: BRA)	1000007560
19	X61231021	BAG 400X500H			XE4433101	MYLAR INSTRUCTION ASSY ENG (CE5000PRW, SM6500PRW, ES2000, CS770)	1000008097
20	XC9361020	LE WIDE TABLE CARTON			XE4434001	MYLAR INSTRUCTION ASSY SPA (CE5000PRW, SM6500PRW, ES2000, CS770)	1000006069
21	XC9362020	PAD			XE3857001	NOT RETURN STICKER ENG (SM6500PRW)	1000006069
22	XC9802021	INSTRUCTION MANUAL			XE4889001	NOT RETURN STICKER SPA (CE5000*, SM6500PRW)	1000006069
23	X54243051	SEAM RIPPER			XE4890001	NOT RETURN STICKER ENG (CE5000*, ES2000, CS770)	
24	X59476021	CLEANING BRUSH		31	XD1866021	INSTRUCTION DVD PAL (U.K., IRE, HKG, SWI, SGP, UAE)	1000017188
25	XE2137001	BUTTON SEWING FOOT	1000001059		XE0980201	INSTRUCTION DVD NTSC ASSY (EX-660, XR7700)	1000007442
26	XZ5051001	PUNCH (CS6000/6000t/6000i/100t, BC2500/1000, RS260, ES24**, EX-660, comfort 60E, XR7700, SM6500PRW)			XE5495101	INSTRUCTION DVD ASSY RUS (RUS)	1000017997
27	XE1678201	WALKING FOOT ASSY H 7MM (CS6000t/6000i/6000b/100t, EX-660, XR7700, SM6500PRW)	1000000446		XD0938021	INSTRUCTION DVD NTSC (CS6000b)	ADD
28	XD1819021	QUILTING FOOT (CS6000t/6000i/6000b/7000H/100t, EX-660, XR7700, SM6500PRW)	050309		XE4734001	INSTRUCTION DVD ASSY (XR6600)	1000007588
	X59819021	QUILTER (CS6000t/6000i/6000b/7000H/100t, EX-660, XR7700, SM6500PRW)	050152	32	XC0380021	WARRANTY CARD (USA, GUF)	
	XE2383001	POUCH ASSY (XR7700/6600)	1000003914		LA1661001	WARRANTY CARD EURO-CH	1000017863
	XA3805021	1/4"QUILTING FOOT (CS6000b/7000H, XR7700, SM6500PRW)	ADD		XC6402021	WARRANTY CARD UK	1000017863
	122324001	ZIPPER FOOT (HS1000)	ADD		XE5609101	WARRANTY CARD 5YEARS-ITA (ITA)	1000017863
	XE0741001	CORDING FOOT ASSY (HS1000)	1000009219		XE3332001	MASS WARRANTY CARD (BC2500: HKG)	1000003830
					XD1328221	WARRANTY CARD CHINA (CHN)	1000012599
					XE4548001	WARRANTY CARD BR HSM (BRA)	1000007560



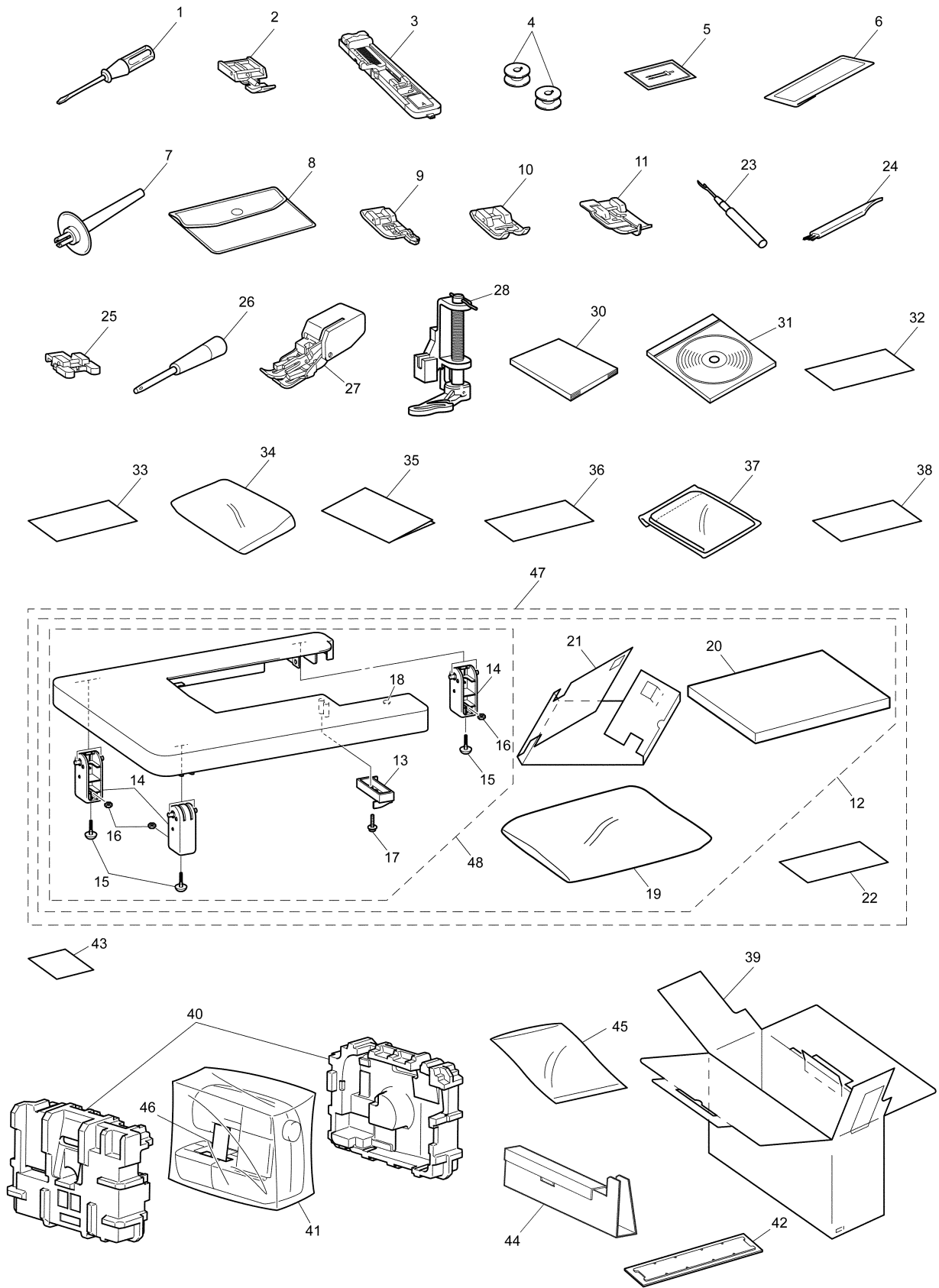
(6) ATTACHMENTS / PRINTED MATTER / PACKING MATERIALS

No.	CODE	NAME	REMARKS	No.	CODE	NAME	REMARKS
33	XE8671001	WARRANTY CARD BROTHER CANADA (CAN)	1000018691		XE2385001	PHOTO CARD (XR7700, XR6600)	
	XE5572001	WARRANTY CARD BROTHER RUS (RUS)	1000017863		XD1889021	INSERTION SHEET FOR NEEDLE	050308
	XE5652001	WARRANTY CARD BROTHER ARG (ARG, PAR)	1000011223		XE2356001	INSERTION SHEET (XR7700)	
34	130800021	BAG 230X310H	1000011228		XE4731001	INSERTION SHEET (XR6600)	
35	XC8837121	QUICK REFERENCE GUIDE (CS4000/5000H/770, BC2100*/2300, RS240/250, ES2000: OTHER ES2020/2220/2000t, comfort 40E, CE4000/5000*, JS50E)	1000011321		XE4987001	INSERTION SHEET (CE4000/5000*, BC2100, CS6000i, ES2000, ES2020, ES2400)	
	XE3725101	QUICK REFERENCE GUIDE (CS6000*/100t/7000H, BC2100/2500, BC1000, RS260, ES2400: U.S.A./CHN, comfort 60E, EX-660, XR7700, SM6500, HS1000)	1000011321		XE2379001	PANEL SEAT ASSY (XR7700, XR6600)	ADD
	XE3645001	QUICK REFERENCE GUIDE BC2500 (BC2500: HKG)	1000005705		XE2381001	TEMPLATE ASSY (XR7700, XR6600)	ADD
	XC9344121	QUICK REFERENCE GUIDE (XR6600, ES2000: EU, ES2010/2020, ES2200/2410/2400)	1000011321		XD0120021	CAUTION SHEET S33 (CE4000/5000*, BC2100: AUS, CS6000i)	
	36	XC7488021	ACCINFO SHEET (U.S.A., CAN)		XE2895001	OPTIONAL 5YEAR WARRANTY CARD (U.K.)	1000017863
37	XC8973021	DUST COVER ASSY (CS6000/6000t, BC2500/1000, RS260, ES2400: U.S.A., comfort 60E, HS1000)		XE6308001	INNOV-IS RANGE PROMOTION DVD	1000013646	
	XA2112022	DUST COVER ASSY (BC2100/2300, RS240/250, comfort 40E, ES2400: OTHER, ES2410/2420, ES2020, JS50E)		XE3642001	INSERTION BC2500 KOREA (BC2500: KOR)	1000016304	
38	XE6623001	INSERTION (CAN)	1000014468	XE3643001	INSERTION BC2500 TAIWAN (BC2500: TWN)	1000016263	
	XE8541001	INSERTION (for INNER ROTARY HOOK & INNER ROTARY HOOK BRACKET: EXCEPT: USA, CAN)	1000018357	XE4888001	NOT RETURN INSERTION SHEET (CE5000PRW, SM6500PRW, ES2000, CS770)	1000007964	
	XE8340001	INSERTION (for INNER ROTARY HOOK & INNER ROTARY HOOK BRACKET: USA, CAN)	1000018358	XE5611001	REGISTRATION CARD ITA (ITA)	1000017863	
	XD0360021	NEEDLE SET G	050273	XD0256121	INSERTION WEEE (ES2020)	ADD	
	XE1158101	BOOKLET	060168	PACKING MATERIALS			
	XC9960021	SEWING MACHINE CASE ASSY (CS6000b)	ADD	39	XC8838021	COLOR CARTON (CS4000: U.S.A., CAN)	
	XC2067121	USER'S MANUAL (CS6000b/7000H, XR7700, SM6500PRW)	ADD		XC8838041	COLOR CARTON (ES2000: U.S.A.)	1000007197
					XC8838026	COLOR CARTON (ES2010)	
					XC8838027	COLOR CARTON (ES2210)	
					XC8838023	COLOR CARTON (CS6000)	
					XC9810021	COLOR CARTON (CS6000t)	
					XC9810022	COLOR CARTON (ES2000t)	ADD
					XD0282025	COLOR CARTON (CS6000i: OTHER)	ADD
					XC8838028	COLOR CARTON (BC2500: SIN, HKG, TWN)	1000003436
					XC8838029	COLOR CARTON (BC2500: AUS)	
					XC8838036	COLOR CARTON (BC2500: SWI)	1000003658
					XC8838024	COLOR CARTON (ES2400: U.S.A.)	
					XC8838025	COLOR CARTON (ES2410)	
					XC8975022	CARTON (BC2100: OTHER)	
					XE6357001	COLOR CARTON (BC2100: SIN, UAE, AUS)	1000013920
					XC8975038	CARTON (BC2300)	1000004239
					XC8975042	CARTON (RS240)	1000004239
					XC8975021	CARTON (ES2000: OTHER)	



(6) ATTACHMENTS / PRINTED MATTER / PACKING MATERIALS

No.	CODE	NAME	REMARKS	No.	CODE	NAME	REMARKS
39	XC8975027	CARTON (ES2200: OTHER)		43	X57847021	PLUG LABEL (U.K.)	
	XC8975040	CARTON (ES2200: RUS)	1000004239	44	XC9354020	PAD D (CS6000t/6000b/100t, ES2000t, SM6500PRW)	
	XC8975028	CARTON (ES2020: OTHER)		45	X57367021	BAG, 135X150 (CS6000t/6000b/6000i/7000H/100t, EX-660, SM6500PRW, XR7700/6600)	
	XC8975039	CARTON (ES2020: RUS)	1000004239	46	XE5049001	NEEDLE GUARD D (CS5000H: CAN, BC2100WT/XR6600: GBR, CS6000i: USA/ARG/BRA, ES2000, ES2020, XR7700: USA/CAN, BC2100: AUS)	1000012383
	XC8975029	CARTON (ES2220)		47	XC9809021	LE WIDE TABLE ASSY US (CS6000t/6000i/100t, EX-660, ES2000t, XR7700, SM6500PRW)	
	XC8975023	CARTON (BC2500: OTHER)		48	XC9357121	WIDE TABLE SUB ASSY (CS6000t/6000i/100t, EX-660, ES2000t, XR7700, SM6500PRW)	
	XC8975044	CARTON (RS260)	1000004239		XD0562120	PRESSER LEVER FIXING SF (CS6000i/5000H/7000H/100t, BC2100WT, EX-660, XR7700/6600)	1000016260
	XC8975024	CARTON (ES2400: OTHER)			XZ5059001	SPACER POLYSTYRENE FOAM PAD (CS6000i, EX660, XR7700, BC2100WT)	1000007089
	XC8975041	CARTON (ES2420)	1000004239		XD0242021	DVD STICKER (XR6600)	1000007588
	XC8975043	CARTON (comfort 40E)	1000004239				
	XC8975045	CARTON (comfort 60E)	1000004239				
	XC8975037	CARTON (HS1000)	ADD				
	XD0282021	COLOR CARTON (CS100t)					
	XD0282023	COLOR CARTON (EX-660)					
	XC8838043	COLOR CARTON (CE4000: OTHER)	1000010437				
	XC8838035	COLOR CARTON (BC1000)	ADD				
	XC8975036	CARTON (RS250)	ADD				
	XD0939021	COLOR CARTON (CS6000b)	ADD				
	XE6635001	COLOR CARTON (CS5000H)	1000014017				
	XE2053001	COLOR CARTON (CS7000H)	1000004860				
	XD0282026	COLOR CARTON (XR7700: U.S.A.)	1000004860				
	XD0282029	COLOR CARTON (XR7700: CAN)	1000006894				
	XE8838044	COLOR CARTON (CE5000PRW)	1000011128				
	XC8838045	COLOR CARTON (CE5000)	1000011867				
	XE7510001	COLOR CARTON MODEL:JS-50E (JS50E)	1000016341				
	XC9810023	COLOR CARTON (SM6500PRW)	1000006064				
	XC8838038	COLOR CARTON (CE4000: ARG, BRA, PRY)	1000006416				
	XD0282028	COLOR CARTON (CS6000i: ARG, BRA, PRY)	1000006416				
	XC8838040	COLOR CARTON (ES2400: CHN)	1000007021				
	XE4582001	COLOR CARTON (BC2100WT)	1000007252				
	XE4646001	CARTION (XR6600)	1000007588				
	XC8838042	COLOR CARTON (CS770)	1000008135				
	XE7552001	COLOR CARTON MODEL: BC2100 (BC2100, BC2500, ES2000, ES2400: KOR)	1000016116				
	XC8838022	COLOR CARTON (ES2000: GUF)	1000017374				
40	XC8840121	S33SF ASSY	1000004838				
	XD0561021	S33SF ASSY (CS6000i/5000H/7000H/100t, EX-660, XR7700, BC2100WT)					
41	X60439121	BAG 630X630T	1000013217				
42	LA6041001	SECURITY TAG	1000013831				



brother®

CS4000/CS6000/CS6000t/CS6000i/CS6000b/CS5000H/CS7000H
BC2100/BC2300/BC2500/BC1000
RS240/RS250/RS260
ES2000/ES2010/ES2020/ES2000t/ES2200/ES2210/ES2220/ES2400/ES2410/ES2420
CE4000/CE5000/CE5000PRW/HS1000/CS100t
comfort 40E/comfort 60E/EX-660/XR7700/JS50E/SM6500PRW/BC2100WT/XR6600/CS770
23M04HF885S33/34/36/37

09. 2005.
06. 2010.