



**FACSIMILE EQUIPMENT
PARTS REFERENCE LIST**

**MODEL: MFC8870DW / MFC8860DN
MFC8460N / MFC8660DN
MFC8670DN
DCP8065DN / DCP8060
(For U.S.A. / Canada / Argentina /
Chile / Brazil)**

© Copyright Brother 2006

All rights reserved

No part of this publication may be reproduced in any form
or by any means without permission in writing from the
publisher.

Specifications are subject to change without prior notice.

NOTES FOR USING THIS PARTS REFERENCE LIST

1. In the case of ordering parts, it needs mentioning the following items:

- (1) Code
- (2) Q' ty
- (3) Description
- (4) Recommend (The \checkmark mark is attached to recommend parts at this column.)
- (5) Symbol (PCB No., Revision, and Parts location mounted on the PCB.)

Note: No orders without Parts Code or Tool No. can be accepted.

[Example]

| | (1) | (2) | (3) | (4) | (5) | |
|---------|------|-------|-------------|-----------|--------|---------|
| REF.NO. | CODE | Q' TY | DESCRIPTION | RECOMMEND | SYMBOL | REMARKS |
| | | | | | | |

2. Design-changed parts:

When the parts are changed, any one of the following symbols is mentioned in the REMARKS column.

CHG (chg): The part is changed to a new part.

ADD (add): The part is newly added.

DEL (del): The part is deleted.

Symbol in capital letters indicates that the change is the latest one in the page.

3. Parts change will be informed by the technical information.

COUNTRIES

U.S.A. ---- US

CANADA ---- CAN

ARGENTINA --- ARG

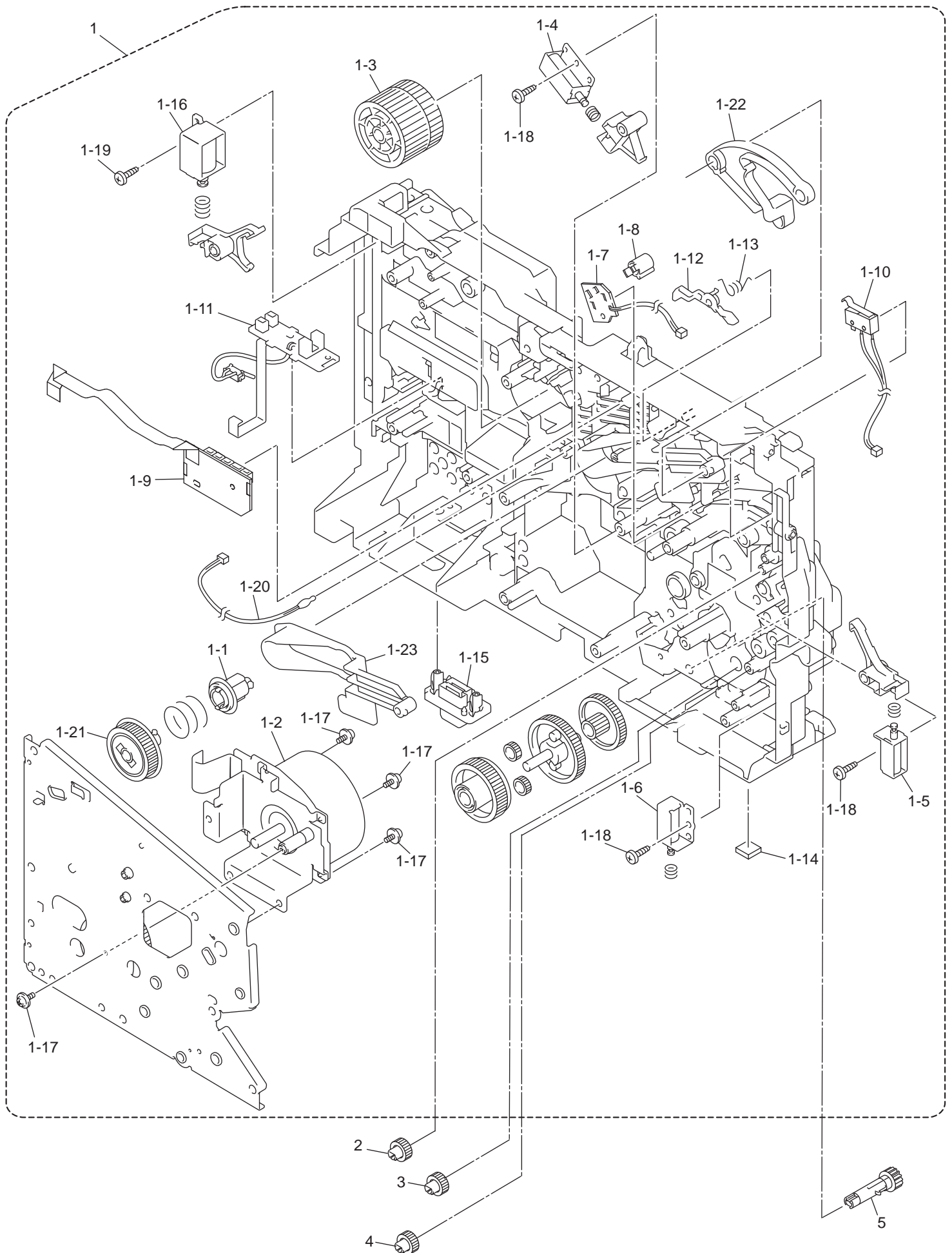
CHILE --- CHL

BRAZIL ---- BRA

CONTENTS

| | | |
|-----|--------------------------------|----|
| 1. | <u>FRAME L</u> | 1 |
| 2. | <u>FRAME R</u> | 3 |
| 3. | <u>FRAME UNIT</u> | 5 |
| 4. | <u>LASER UNIT</u> | 7 |
| 5. | <u>PAPER FEEDER</u> | 9 |
| 6. | <u>DUPLEX</u> | 11 |
| 7. | <u>PAPER TRAY</u> | 13 |
| 8. | <u>FUSER UNIT</u> | 15 |
| 9. | <u>COVERS</u> | 17 |
| 10. | <u>SCANNER</u> | 19 |
| 11. | <u>ADF1</u> | 21 |
| | <u>ADF2</u> | 23 |
| 12. | <u>PANEL</u> | 25 |
| 13. | <u>PCB</u> | 27 |
| 14. | <u>ACCESSORIES</u> | 29 |
| 15. | <u>PRINTED MATERIALS</u> | 31 |
| 16. | <u>PACKING MATERIALS</u> | 33 |
| 17. | <u>OTHERS</u> | 35 |

1. FRAME L



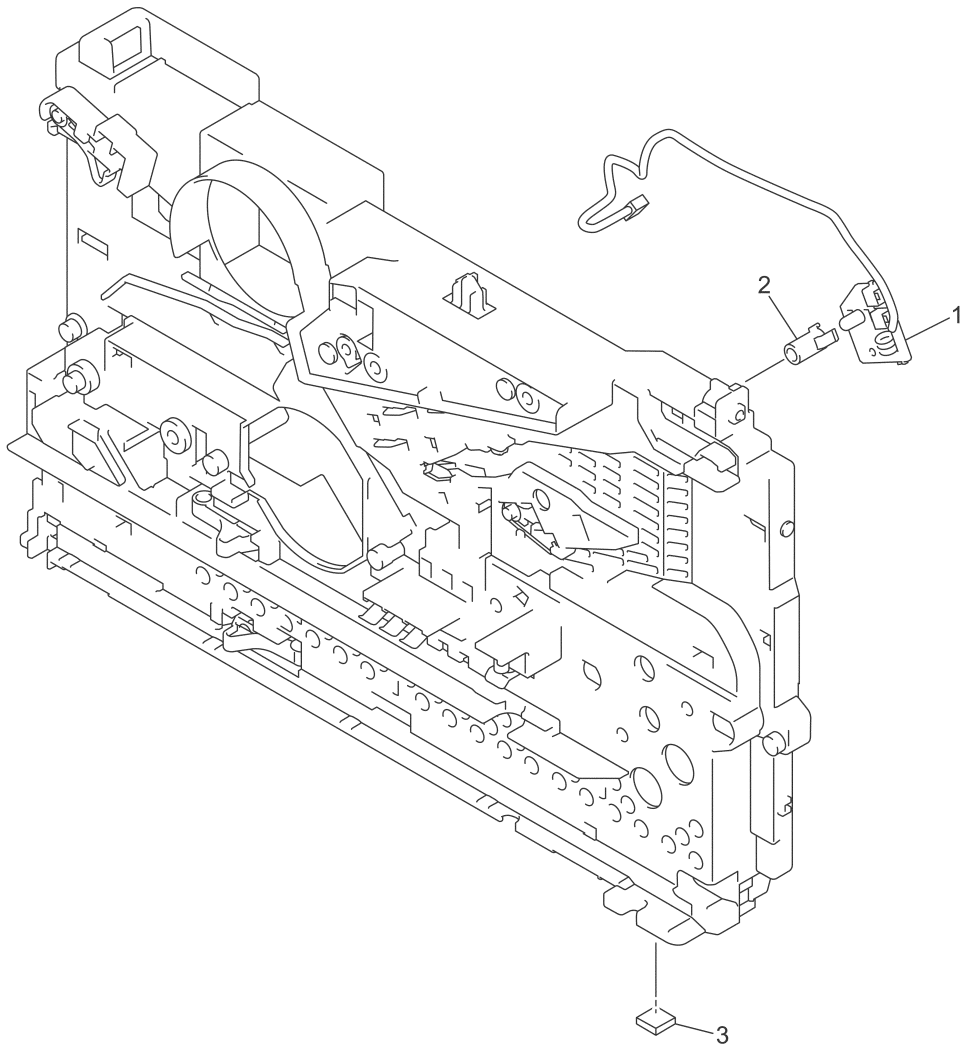
LIST1(FRAME L)

| REF No. | CODE | Q'TY | DESCRIPTION | RECOMMEND | REMARKS |
|---------|-----------|------|---|-----------|---------|
| 1 | LF9765001 | 1 | MAIN FRAME L UNIT, DCP8060 | | add |
| 1 | LF9611001 | 1 | MAIN FRAME L UNIT, MFC8460N | | add |
| 1 | LF9727001 | 1 | MAIN FRAME L UNIT, DCP8065N/MFC8660DN/MFC8860DN/ MFC8670DN/MFC8870DW | | add |
| 1-1 | LU7214001 | 1 | DEVELOP JOINT | | chg |
| 1-2 | LM5047001 | 1 | MAIN MOTOR ASSY AL | | |
| 1-3 | LM5048001 | 1 | FUSER GEAR 39 H/R DRIVE | | |
| 1-4 | LM5058001 | 1 | REGISTER SOLENOID ASSY | | |
| 1-5 | LM5062001 | 1 | MP SOLENOID ASSY | | |
| 1-6 | LM5067001 | 1 | T1 SOLENOID ASSY | | |
| 1-7 | LJ9935001 | 1 | TONER SENSOR PCB ASSY | | |
| 1-8 | UL9037001 | 1 | PT SENSOR HOLDER | | |
| 1-9 | LJ9938002 | 1 | RELAY FRONT PCB ASSY | | |
| 1-10 | LJ9940001 | 1 | INTERLOCK SW ASSY | | |
| 1-11 | LM9168001 | 1 | RELAY REAR PCB ASSY, DCP8060/MFC8460N | | |
| 1-11 | LJ9942001 | 1 | RELAY REAR PCB ASSY, DCP8065DN/MFC8660DN/MFC8860DN/MFC8870DW/MFC8670DN | | |
| 1-12 | LM5085001 | 1 | NEW TONER ACTUATOR | | |
| 1-13 | LM5086001 | 1 | NEW TONER ACTUATOR SPRING | | |
| 1-14 | LJ7403001 | 1 | RUBBER FOOT | | |
| 1-15 | LJ9945001 | 1 | CONNECTOR | | |
| 1-16 | LM5011001 | 1 | EJECTOR SOLENOID, DCP8065DN/MFC8660DN/MFC8860DN/MFC8870DW/MFC8670DN | | |
| 1-17 | 087320616 | 4 | TAPTITE CUP S M3x6 | | |
| 1-18 | 085311016 | 3 | TAPTITE BIND B M3x10 | | |
| 1-19 | 085311016 | 1 | TAPTITE BIND B M3x10, DCP8065DN/MFC8860DN/MFC8870DW/MFC8670DN | | |
| 1-20 | LG4518001 | 1 | THERMISTOR ASSY | | |
| 1-21 | LM5043001 | 1 | DEV GEAR 37R JOINT DRIVE | | add |
| 1-22 | LM5080001 | 1 | DRIVE RELEASE LINK | | add |
| 1-23 | LM5079001 | 1 | DRIVE RELEASE CAM | | add |
| 2 | LM5104001 | 1 | GEAR 17 MP ROLLER DRIVE | | add |
| 3 | LM5103001 | 1 | GEAR 20 T1 ROLLER DRIVE | | add |
| 4 | LM5102001 | 1 | GEAR 17 FEED ROLLER DRIVE | | add |
| 5 | LM5051001 | 1 | DX GEAR 15 TRAY DRIVE, DCP8065DN/MFC8660DN/MFC8860DN/MFC8870DW/MFC8670DN | | ADD |

8C5B03/8C5B05/8C5B13/
8C5B14/8C5B15/8C5B16/
8C5B17/8C5B33/8C5B35/
8C5B43/8C5B45

DCP8060/DCP8065DN/MFC8460N/
MFC8660DN/MFC8860DN/MFC8870DW/MFC8670DN

2. FRAME R



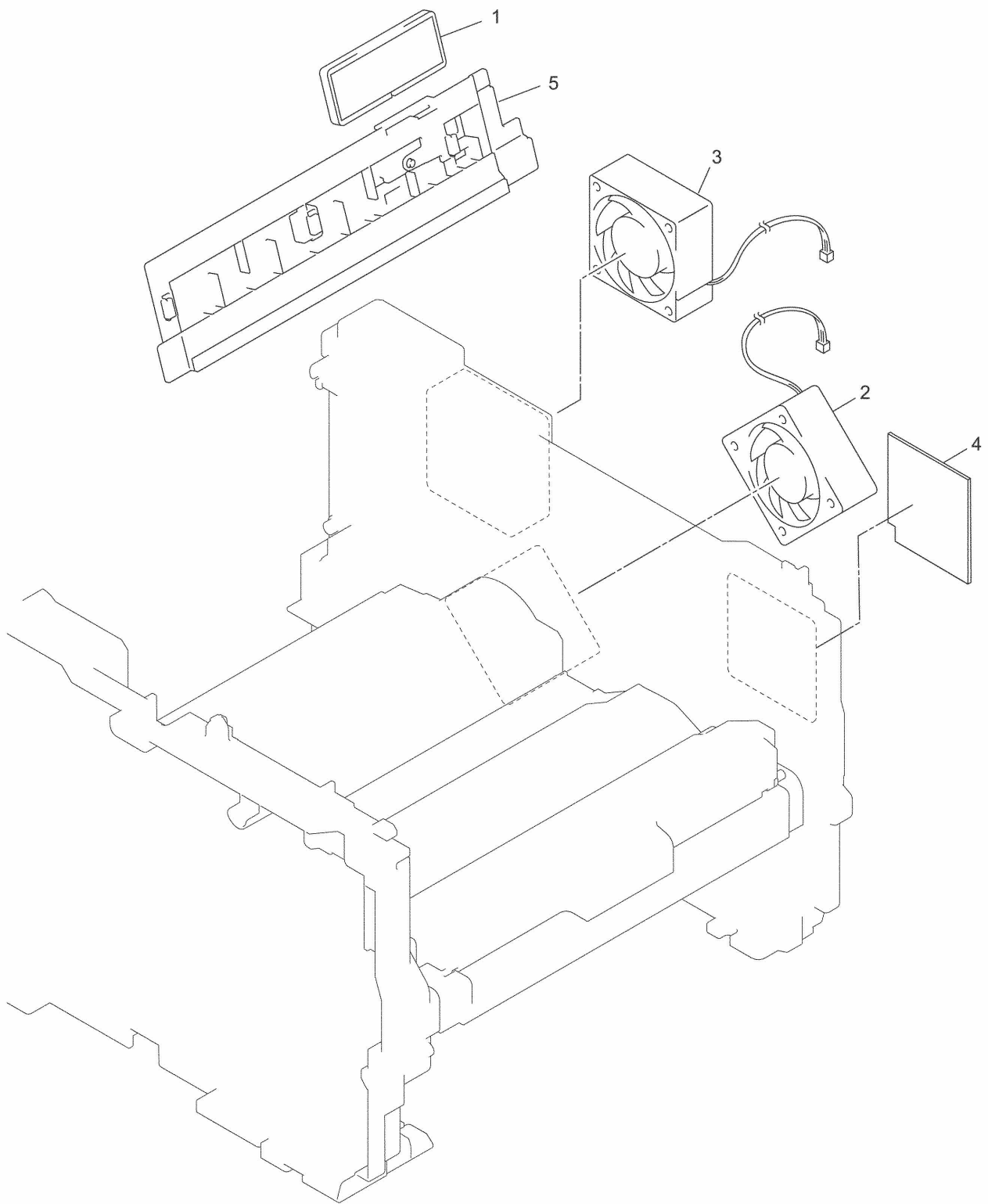
LIST2(FRAME R)

| REF No. | CODE | Q'TY | DESCRIPTION | RECOMMEND | REMARKS |
|---------|-----------|------|--------------------|-----------|---------|
| 1 | LM9022001 | 1 | TONER LED PCB ASSY | | |
| 2 | LM4267001 | 1 | LED HOLDER | | |
| 3 | LJ7403001 | 1 | RUBBER FOOT | | |

8C5B03/8C5B05/8C5B13/
 8C5B14/8C5B15/8C5B16/
 8C5B17/8C5B33/8C5B35/
 8C5B43/8C5B45

DCP8060/DCP8065DN/MFC8460N/
 MFC8660DN/MFC8860DN/MFC8870DW/MFC8670DN

3. FRAME UNIT



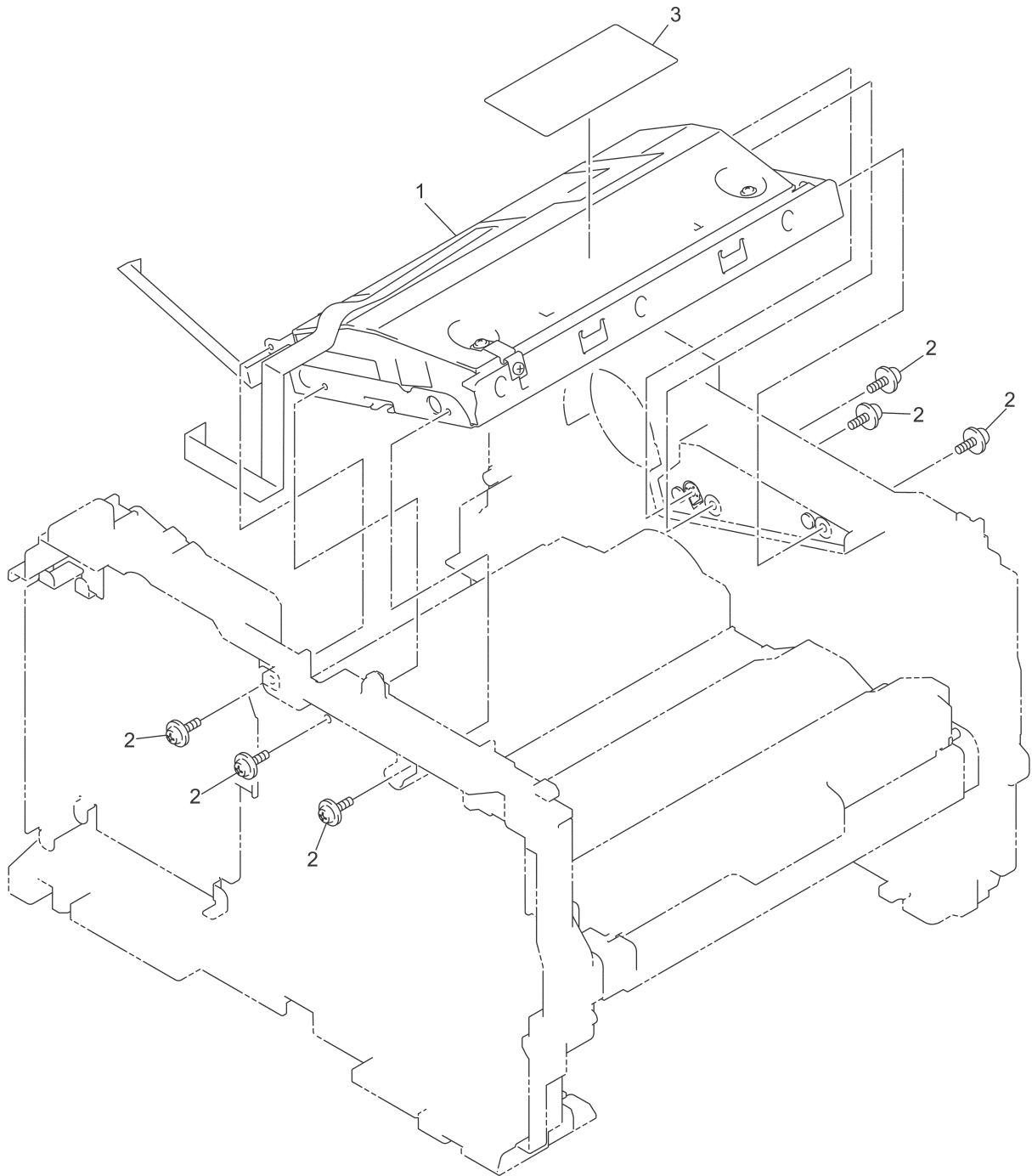
LIST3(FRAME UNIT)

| REF No. | CODE | Q'TY | DESCRIPTION | RECOMMEND | REMARKS |
|---------|-----------|------|---|-----------|---------|
| 1 | LU0951001 | 1 | FILTER T7 ASSY | | chg |
| 2 | LM5114001 | 1 | FAN MOTOR 60 UNIT LV | | |
| 3 | LM5116001 | 1 | FAN MOTOR 60 UNIT | | |
| 4 | LG7359001 | 1 | WIRELESS PCB, MFC8870DW FOR US/CAN | | ADD |
| 4 | LG6846001 | 1 | WIRELESS PCB, MFC8870DW FOR US (Brazil) | √ | |
| 5 | ---- | | NOT USED | | |

8C5B03/8C5B05/8C5B13/
 8C5B14/8C5B15/8C5B16/
 8C5B17/8C5B33/8C5B35/
 8C5B43/8C5B45

DCP8060/DCP8065DN/MFC8460N/
 MFC8660DN/MFC8860DN/MFC8870DW/MFC8670DN

4. LASER UNIT



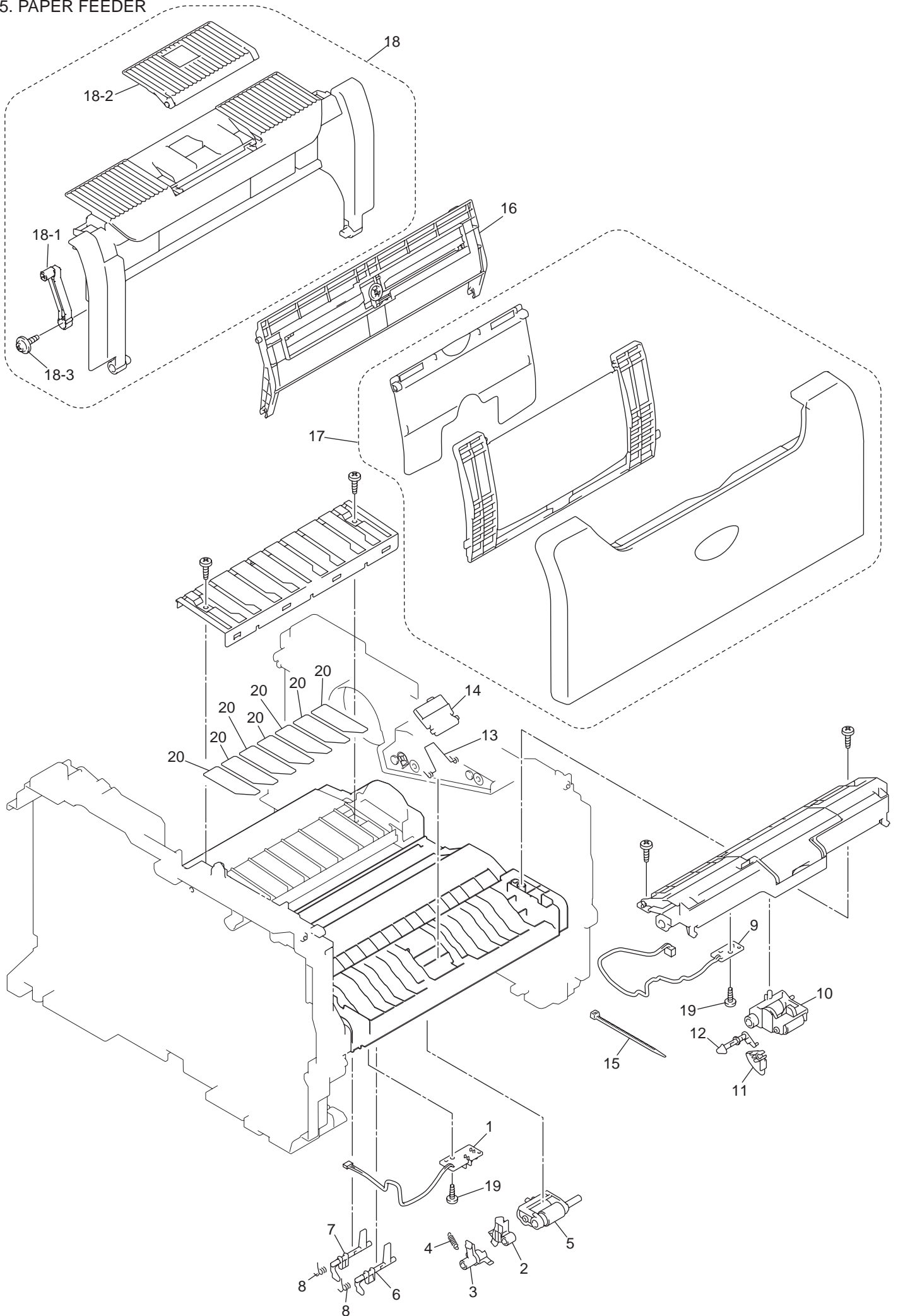
LIST4(LASER UNIT)

| REF No. | CODE | Q'TY | DESCRIPTION | RECOMMEND | REMARKS |
|---------|-----------|------|---------------------|-----------|---------|
| 1 | LM5750001 | 1 | LASER UNIT (SP) | | |
| 2 | 087320616 | 6 | TAPTITE, CUP S M3X6 | | |
| 3 | LJ0908001 | 1 | LASER CAUTION LABEL | | |

8C5B03/8C5B05/8C5B13/
 8C5B14/8C5B15/8C5B16/
 8C5B17/8C5B33/8C5B35/
 8C5B43/8C5B45

DCP8060/DCP8065DN/MFC8460N/
 MFC8660DN/MFC8860DN/MFC8870DW/MFC8670DN

5. PAPER FEEDER



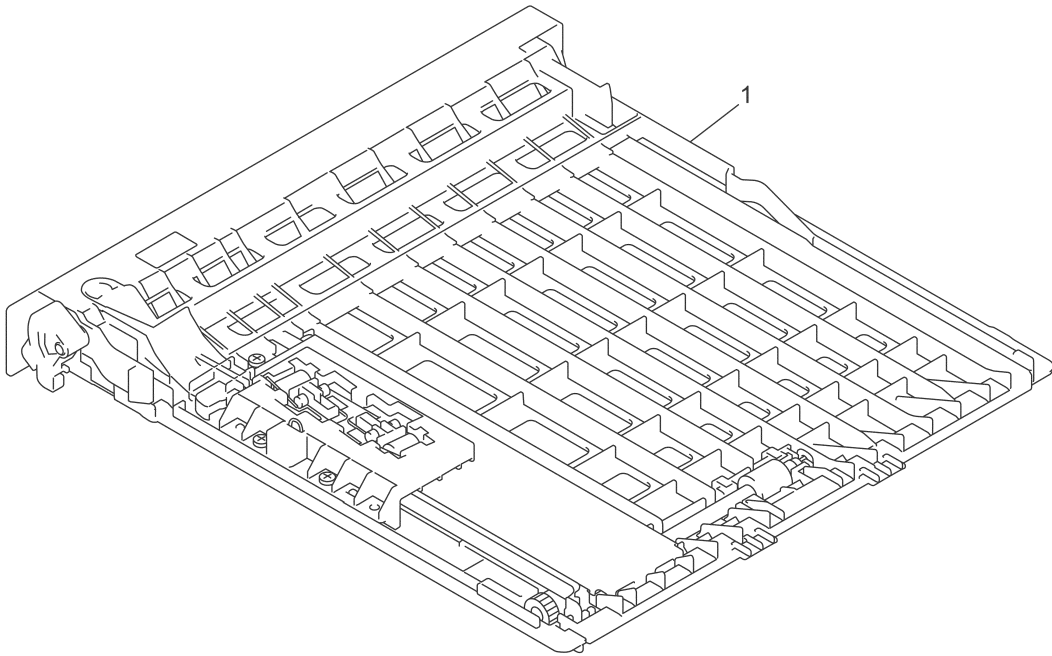
LIST5(PAPER FEEDER)

| REF No. | CODE | Q'TY | DESCRIPTION | RECOMMEND | REMARKS |
|---------|-----------|------|------------------------|-----------|---------|
| 1 | LM9001001 | 1 | PE EG SENSOR ASSY | | |
| 2 | LU7935001 | 1 | PE ACTUATOR ASSY | | CHG |
| 3 | LM5132001 | 1 | EDGE ACTUATOR | | |
| 4 | LM5133001 | 1 | EDGE ACTUATOR SPRING | | |
| 5 | LM5140001 | 1 | ROLLER HOLDER ASSY | | |
| 6 | LM5150001 | 1 | REGIST ACTUATOR FRONT | | |
| 7 | LM5151001 | 1 | REGIST ACTUATOR REAR | | |
| 8 | LM5152001 | 2 | REGIST ACTUATOR SPRING | | |
| 9 | LJ9999001 | 1 | MP PE SENSOR ASSY | | |
| 10 | LM5165001 | 1 | MP ROLLER HOLDER ASSY | | |
| 11 | LM5171001 | 1 | PE ACTUATOR MP | | |
| 12 | LU0027001 | 1 | PE ACTUATOR MP B 2 | | chg |
| 13 | LM6490001 | 1 | MP SEPARATION SPRING | | |
| 14 | LM6752001 | 1 | SEPARATION PAD ASSY MP | | chg |
| 15 | LJ8657001 | 1 | BINDER 2.3X79 | | |
| 16 | LM5196001 | 1 | TRAY MP ASSY | | |
| 17 | LF9617001 | 1 | MP TRAY COVER ASSY | | |
| 18 | LM5205001 | 1 | PROCESS COVER ASSY | | |
| 18-1 | LM5124001 | 1 | PROCESS COVER STOPPER | | |
| 18-2 | LM5208001 | 1 | SUPPORT FLAP | | |
| 18-3 | 087411016 | 1 | TAPTITE CUP B M4X10 | | |
| 19 | 085310816 | 2 | TAPTITE BIND B M3x8 | | |
| 20 | --- | | NOT USED | | |

8C5B03/8C5B05/8C5B13/
8C5B14/8C5B15/8C5B16/
8C5B17/8C5B33/8C5B35/
8C5B43/8C5B45

DCP8060/DCP8065DN/MFC8460N/
MFC8660DN/MFC8860DN/MFC8870DW/MFC8670DN

6. DUPLEX



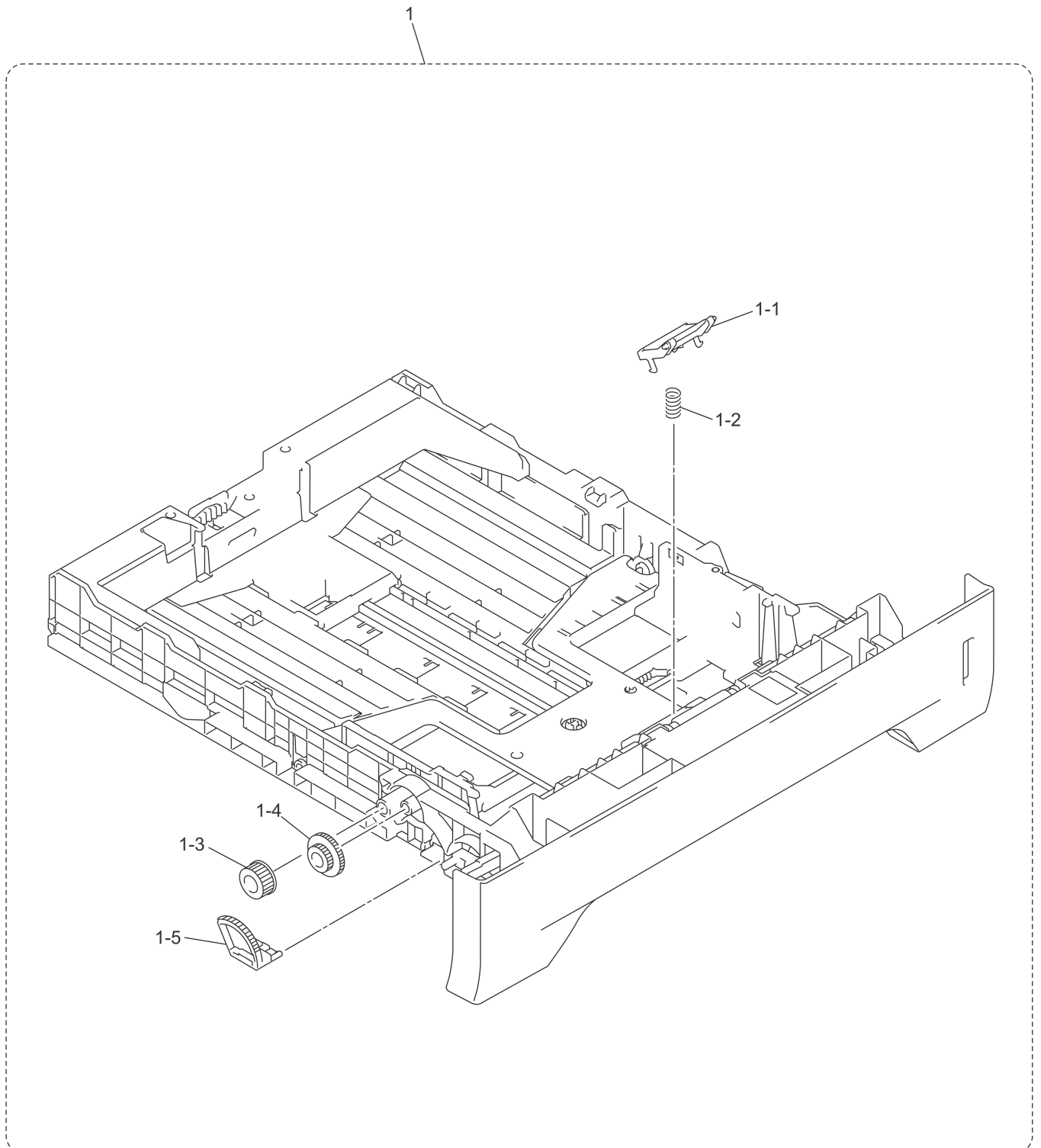
LIST6(DUPLEX)

| REF No. | CODE | Q'TY | DESCRIPTION | RECOMMEND | REMARKS |
|---------|-----------|------|---|-----------|---------|
| 1 | LM5209001 | 1 | DX FEED ASSY LTR, DCP8065DN/MFC8660DN/MFC8860DN/MFC8870DW/ MFC8670DN FOR US/CAN/BRA | | |
| 1 | LU7503001 | 1 | DX FEED ASSY A4, DCP8065DN/MFC8860DN FOR ARG/CHL | | CHG |

8C5B03/8C5B05/8C5B13/
8C5B14/8C5B15/8C5B16/
8C5B17/8C5B33/8C5B35/
8C5B43/8C5B45

DCP8060/DCP8065DN/MFC8460N/
MFC8660DN/MFC8860DN/MFC8870DW/MFC8670DN

7. PAPER TRAY



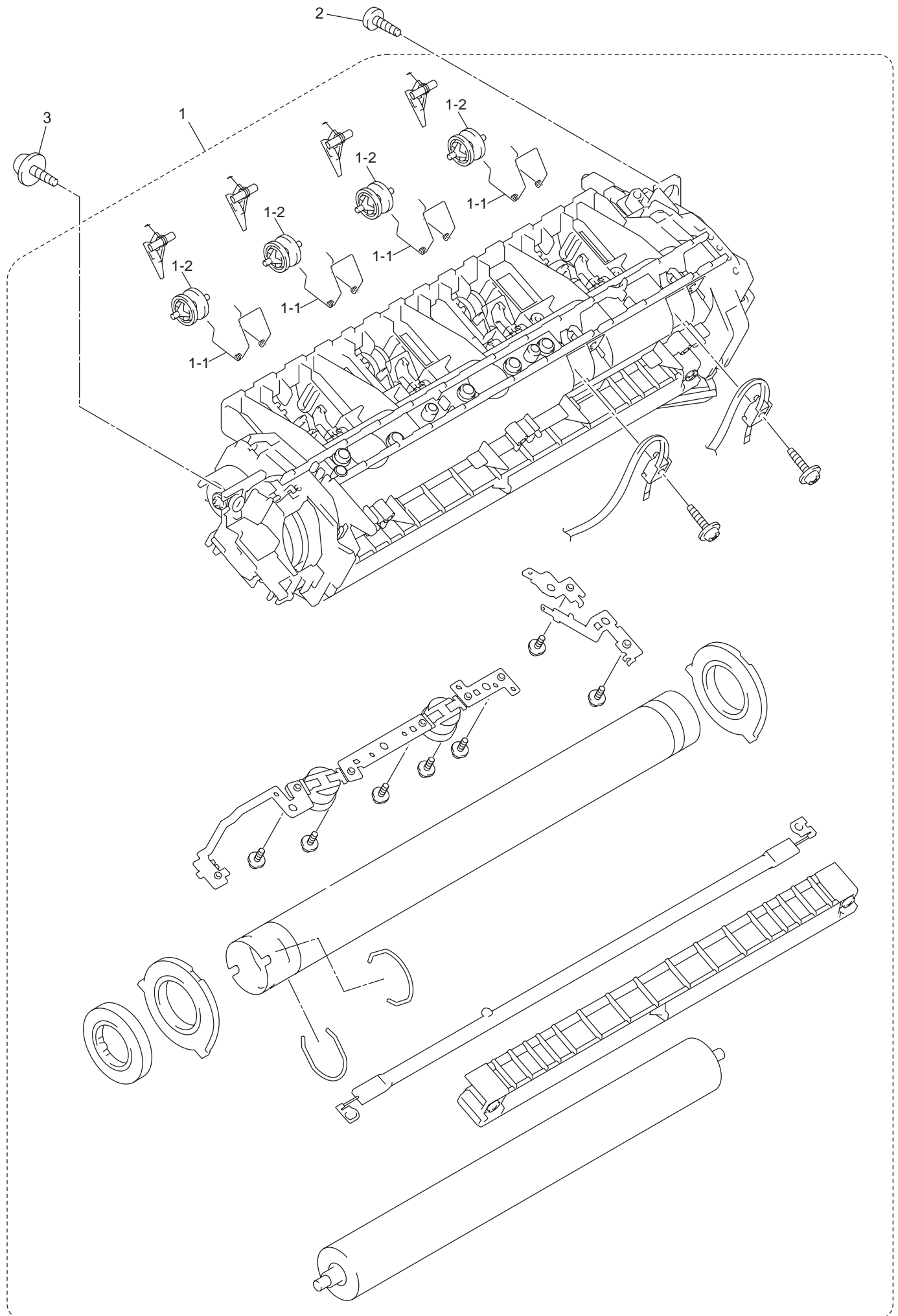
LIST7(PAPER TRAY)

| REF No. | CODE | Q'TY | DESCRIPTION | RECOMMEND | REMARKS |
|---------|-----------|------|--------------------------------|-----------|---------|
| 1 | LU0691001 | 1 | PAPER TRAY UNIT EXCEPT FOR ARG | | CHG |
| 1 | LM5759001 | 1 | PAPER TRAY UNIT FOR ARG | | |
| 1-1 | LM5237001 | 1 | SEPARATION PAD ASSY | | |
| 1-2 | LM5239001 | 1 | SEPARATION PAD SPRING | | |
| 1-3 | LM5245001 | 1 | GEAR 15 | | |
| 1-4 | LM5246001 | 1 | GEAR 21-16 | | |
| 1-5 | LM5247001 | 1 | LIFT GEAR 46 | | |

8C5B03/8C5B05/8C5B13/
 8C5B14/8C5B15/8C5B16/
 8C5B17/8C5B33/8C5B35/
 8C5B43/8C5B45

DCP8060/DCP8065DN/MFC8460N/
 MFC8660DN/MFC8860DN/MFC8870DW/MFC8670DN

8. FUSER UNIT



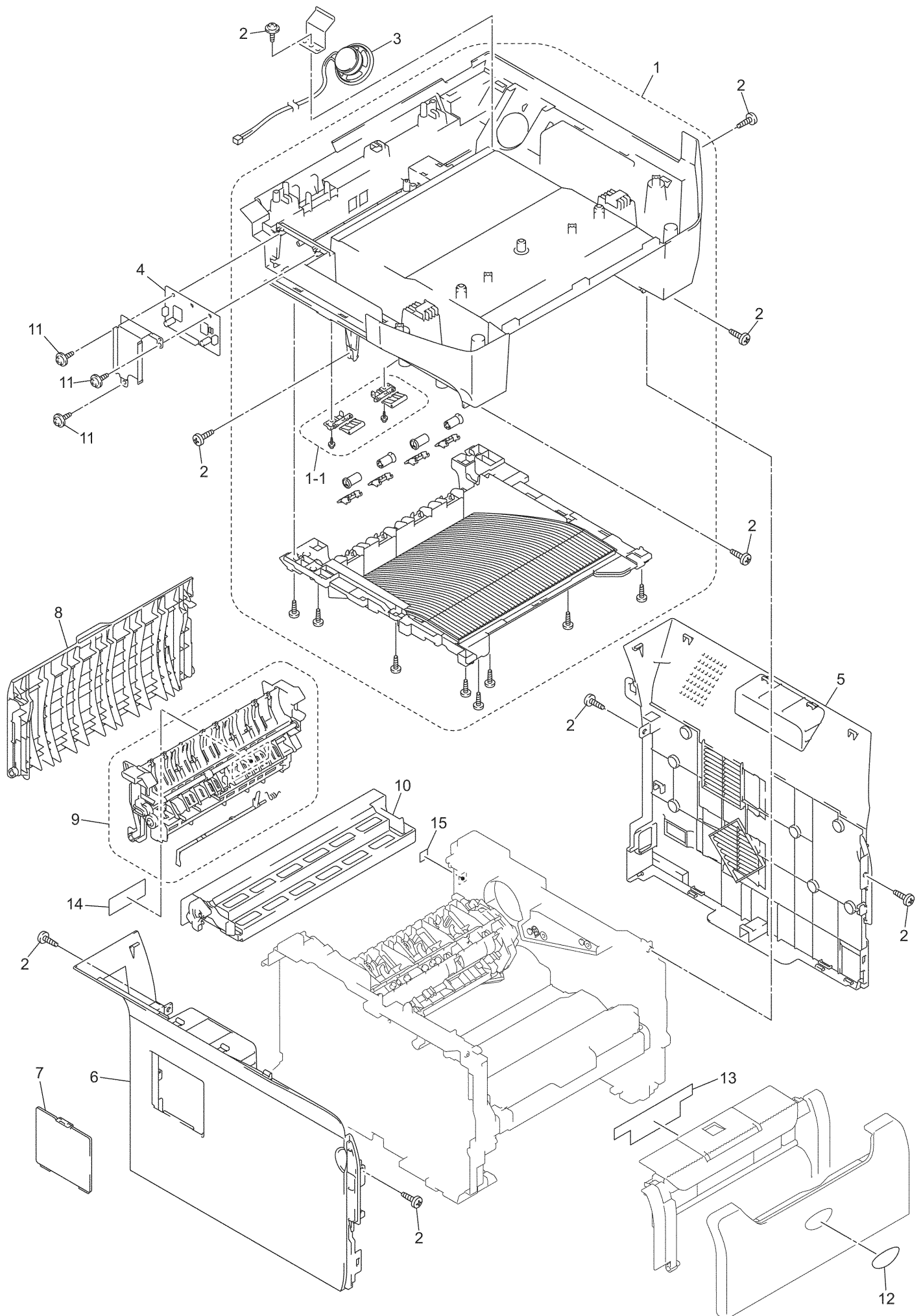
LIST8(FUSER UNIT)

| REF No. | CODE | Q'TY | DESCRIPTION | RECOMMEND | REMARKS |
|---------|-----------|------|-------------------------------------|-----------|---------|
| 1 | LU0214001 | 1 | FUSER UNIT 115V (SP) FOR US/CAN/BRA | | chg |
| 1 | LU0215001 | 1 | FUSER UNIT 230V (SP) FOR ARG/CHL | | chg |
| 1-1 | LM5408001 | 4 | PRESSURE SPRING | | ADD |
| 1-2 | LM5513001 | 4 | EJECT PINCH ROLLER M | | ADD |
| 2 | 085411616 | 1 | TAPTITE BIND B M4X16 | | |
| 3 | LM5881001 | 1 | TAPTITE CUP B M4X16 | | |

8C5B03/8C5B05/8C5B13/
 8C5B14/8C5B15/8C5B16/
 8C5B17/8C5B33/8C5B35/
 8C5B43/8C5B45

DCP8060/DCP8065DN/MFC8460N/
 MFC8660DN/MFC8860DN/MFC8870DW/MFC8670DN

9. COVERS



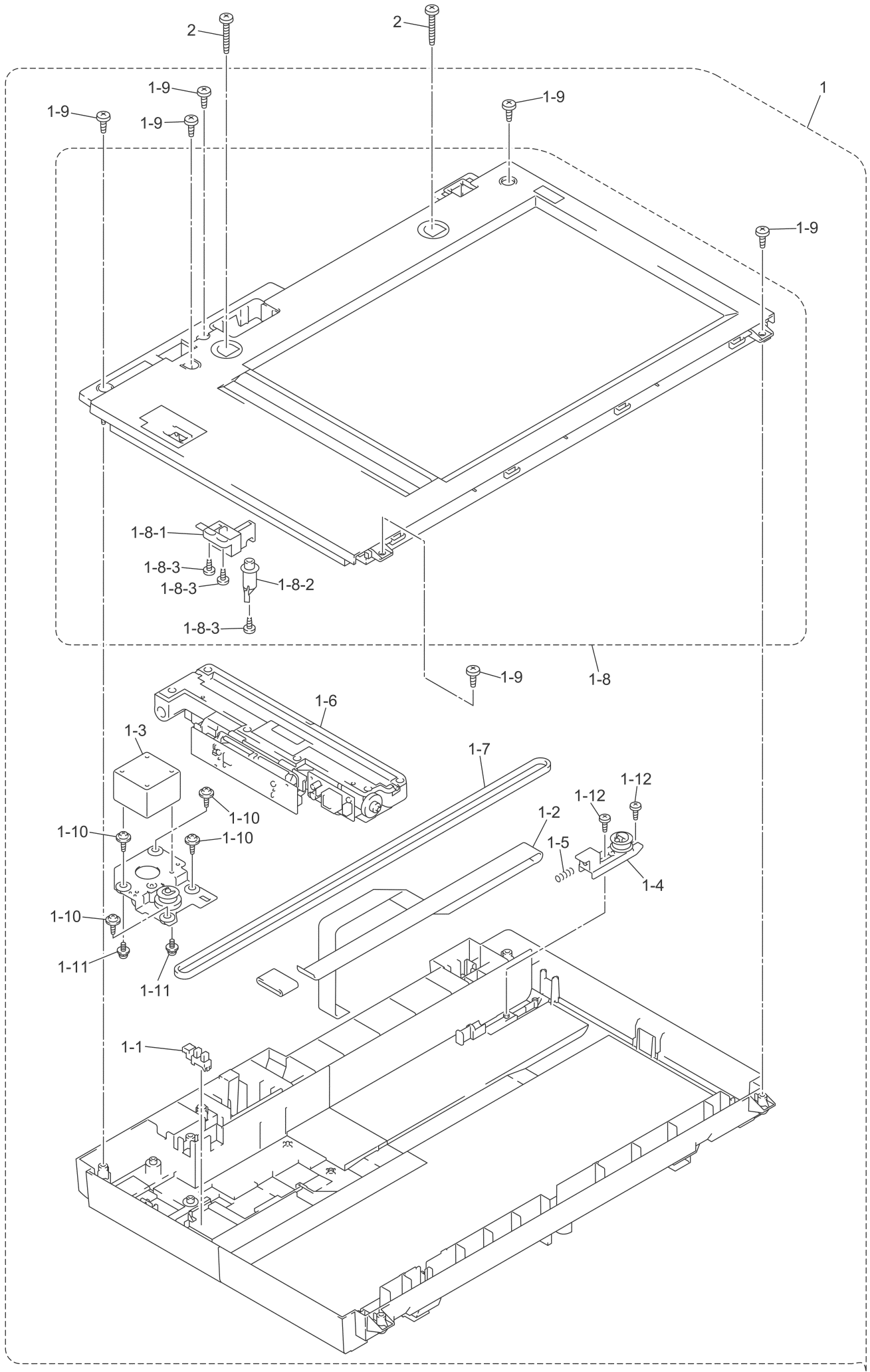
LIST9(COVERS)

| REF No. | CODE | Q'TY | DESCRIPTION | RECOMMEND | SYMBOL | REMARKS |
|---------|-----------|------|---|-----------|---------|---------|
| 1 | LF9975001 | 1 | JOINT COVER ASSY, GRAY(1581), DCP8060/DCP8065DN FOR US/CAN | | | ADD |
| 1 | LS0094001 | 1 | JOINT COVER ASSY PSL, GRAY(1581), DCP8060/ DCP8065DN FOR ARG/CHL | | | chg |
| 1 | LF9619001 | 1 | JOINT COVER ASSY, GRAY(1581), MFC8460N/MFC8660DN/MFC8860DN/MFC8870DW/ MFC8670DN FOR US/CAN/BRA | | | ADD |
| 1 | LS0095001 | 1 | JOINT COVER ASSY PSL, GRAY(1581), MFC8460N/ MFC8860DN FOR ARG/CHL | | | chg |
| 1-1 | LU0160001 | 1 | PAPER STACK LEVER ASSY AL, DCP8060/DCP8065DN/MFC8460N/MFC8860DN FOR ARG/CHL | | | add |
| 2 | 085411216 | 9 | TAPTITE BIND B M4X12 | | | |
| 3 | LG6529001 | 1 | SPEAKER ASSY | | | |
| 4 | LG6531001 | 1 | DRIVER PCB ASSY | | B53K850 | |
| 5 | LF9624001 | 1 | SIDE COVER R, GRAY(1736) | | | |
| 6 | LF9625001 | 1 | SIDE COVER L, GRAY(1736) | | | |
| 7 | LM5273001 | 1 | ACCESS COVER, GRAY(1736) | | | |
| 8 | LM5274001 | 1 | REAR COVER | | | |
| 9 | LU0277001 | 1 | OUTER CHUTE ASSY2 EL25 FOR US/CAN/BRA | | | chg |
| 9 | LU0278001 | 1 | OUTER CHUTE ASSY2 EL20 FOR ARG/CHL | | | add |
| 10 | LM5424001 | 1 | DX COVER, DCP8060/MFC8460N | | | |
| 11 | 087310816 | 3 | TAPTITE CUP B M3X8 | | | |
| 12 | LM5771001 | 1 | BROTHER EMBLEM | | | |
| 13 | LM5542001 | 1 | PROCESS UNIT OP LABEL, DCP8060/MFC8660DN/ MFC8860DN/MFC8670DN/MFC8870DW, DCP8065DN/MFC8460DN EXCEPT FOR ARG | | | |
| 13 | LM5835001 | 1 | PROCESS UNIT OP LABEL, DCP8065DN/MFC8460N FOR ARG | | | |
| 14 | LM5758001 | 1 | RELEASE LABEL | | | |
| 15 | LM4639001 | 1 | FUSER CAUTION LABEL | | | |

8C5B03/8C5B05/8C5B13/
8C5B14/8C5B15/8C5B16/
8C5B17/8C5B33/8C5B35/
8C5B43/8C5B45

DCP8060/DCP8065DN/MFC8460N/
MFC8660DN/MFC8860DN/MFC8870DW/MFC8670DN

10. SCANNER

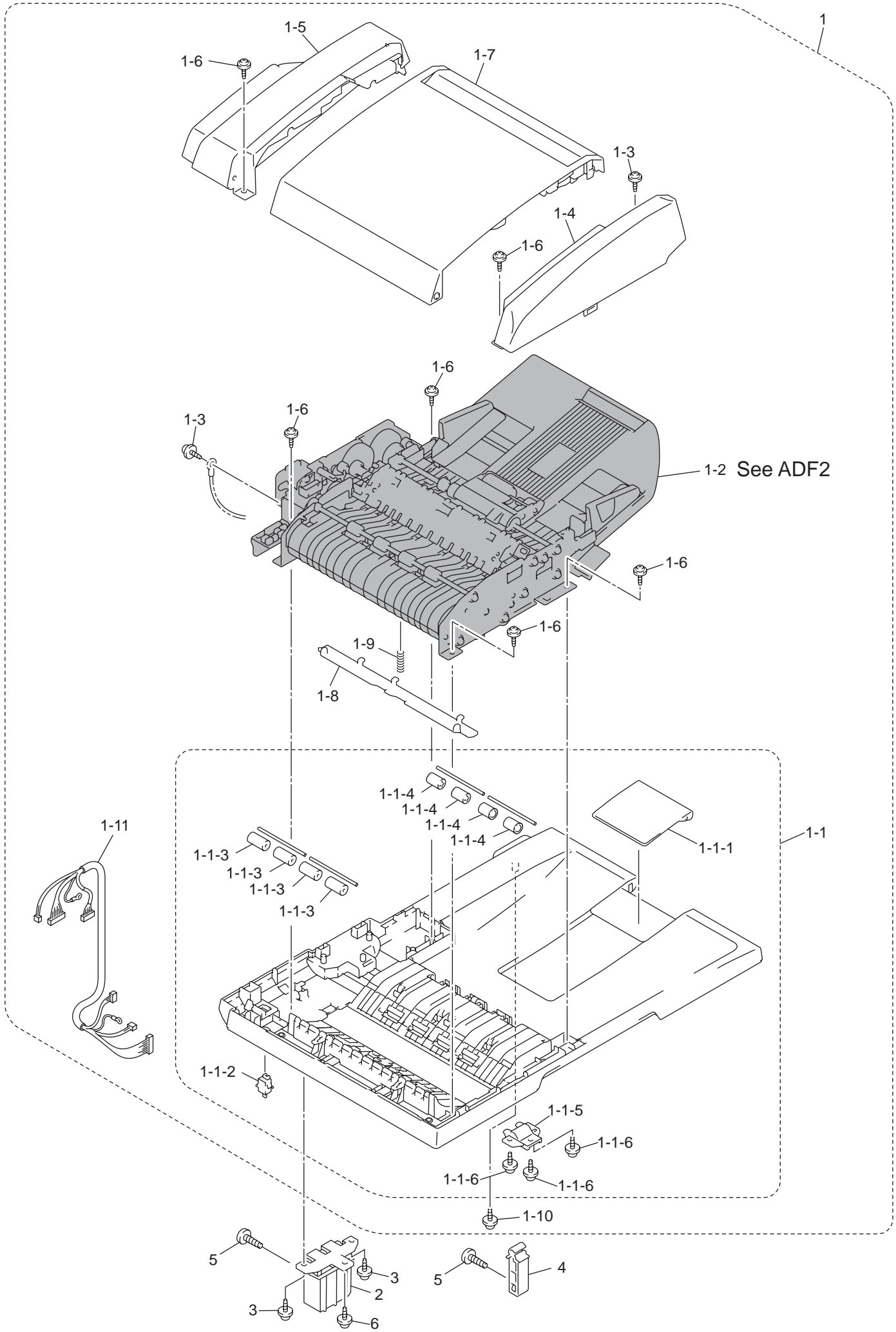


LIST10(SCANNER)

| REF No. | CODE | Q'TY | DESCRIPTION | RECOMMEND | REMARKS |
|---------|-----------|------|------------------------------------|-----------|---------|
| 1 | LP2357001 | 1 | ALFB UNIT ASSY(SP), FOR US/CAN/BRA | √ | |
| 1 | LS0002001 | 1 | ALFB UNIT ASSY(SP), FOR ARG/CHL | | add |
| 1-1 | LG2239001 | 1 | PHOTO INTERRUPTER | | |
| 1-2 | LF9629001 | 1 | FFC CABLE ASSY | | |
| 1-3 | LE8632001 | 1 | SCANNER MOTOR FB | | CHG |
| 1-4 | LF9637001 | 1 | PULLEY ASSY | | |
| 1-5 | LE8640001 | 1 | PULLEY SPRING | | |
| 1-6 | LF2037001 | 1 | CCD MODULE(SP) | √ | |
| 1-7 | LE8642001 | 1 | BELT | | |
| 1-8 | LF9641001 | 1 | TOP COVER ASSY | | |
| 1-8-1 | LF2004001 | 1 | LOCK LEVER ASSY | | |
| 1-8-2 | LE8649001 | 1 | LOCK LEVER B | | |
| 1-8-3 | UF5034001 | 3 | TAPTITE, B 3X6 | | |
| 1-9 | 087411216 | 6 | TAPTITE, CUP B M4X12 | | |
| 1-10 | LE2861001 | 4 | TAPTITE, PAN B M3X8 | | |
| 1-11 | 0A4300605 | 2 | SCREW, PAN (S/P WASHER) M3X6 | | |
| 1-12 | UF5034001 | 2 | TAPTITE, B 3X6 | | |
| 2 | 087412016 | 2 | TAPTITE, CUP B M4X20 | | |

8C5B03/8C5B05/8C5B13/
8C5B14/8C5B15/8C5C16/
8C5B17/8C5B33/8C5B35/
8C5B43/8C5B45

DCP8060/DCP8065DN/MFC8460N/
MFC8660DN/MFC8860DN/MFC8870DW/MFC8670DN

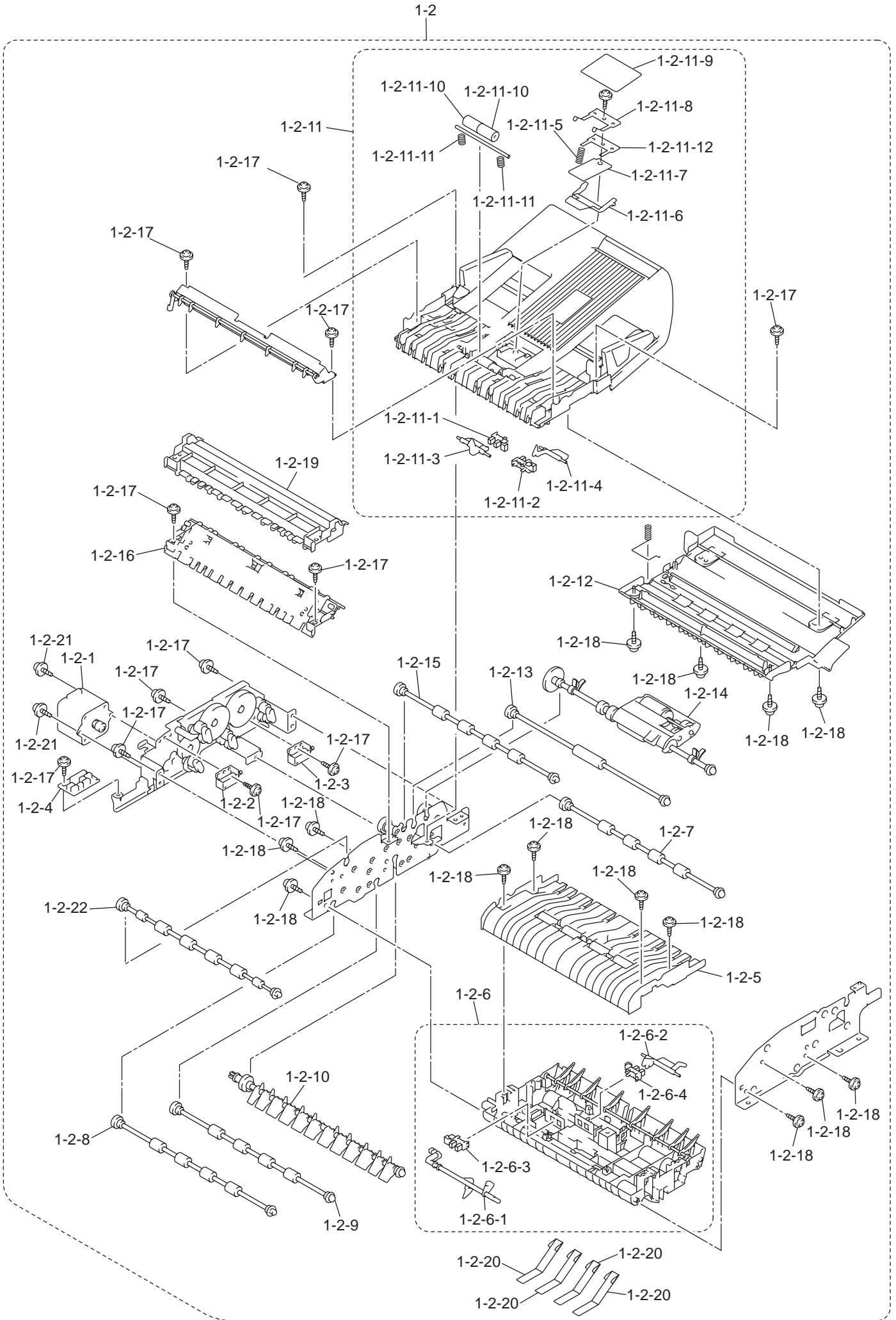


LIST11(ADF1)

| REF No. | CODE | Q'TY | DESCRIPTION | RECOMMEND | SYMBOL | REMARKS |
|---------|-----------|------|---|-----------|--------|---------|
| 1 | LS3399001 | 1 | ADF UNIT LGL(SP), DCP8060/MFC8460N/8660DN FOR US/CAN | | | chg |
| 1 | LS3401001 | 1 | ADF UNIT LGL(SP), DCP8060/MFC8460N FOR ARG/CHL | | | chg |
| 1 | LS3400001 | 1 | ADF UNIT LGL(SP), DCP8065DN/MFC8860DN/8870DW/MFC8670DN FOR US/CAN/BRA | | | chg |
| 1 | LS3402001 | 1 | ADF UNIT LGL(SP), DCP8065DN/MFC8860DN FOR ARG/CHL | | | chg |
| 1-1 | LS7294001 | 1 | DOCUMENT COVER LGL SUB ASSY | | | chg |
| 1-1-1 | LF9647001 | 1 | DOCUMENT EJECTION TRAY | | | |
| 1-1-2 | LG3218001 | 1 | DOCUMENT COVER SENSOR | | | |
| 1-1-3 | UF9009001 | 4 | PRESSER ROLLER | | | |
| 1-1-4 | UL6244002 | 4 | EJECTION ROLLER B4 | | | |
| 1-1-5 | LE6245001 | 1 | HINGE ARM R | | | |
| 1-1-6 | 087311016 | 3 | TAPTITE, CUP B M3X10 | | | |
| 1-2 | | | SEE NEXT PAGE | | | |
| 1-3 | LP2378001 | 2 | TAPTITE CUP S M3X8 SR | | | |
| 1-4 | LF9696001 | 1 | ADF SIDE COVER F | | | |
| 1-5 | LF9697001 | 1 | ADF SIDE COVER R | | | |
| 1-6 | 087311016 | 6 | TAPTITE CUP B M3X10 | | | |
| 1-7 | LF9700001 | 1 | ADF COVER ASSY, DCP8060/MFC8460N/MFC8660DN | | | |
| 1-7 | LF9754001 | 1 | ADF COVER ASSY, DCP8065DN/MFC8860DN/MFC8870W/MFC8670DN | | | |
| 1-8 | LE8834001 | 1 | DOCUMENT HOLD ASSY | | | |
| 1-9 | LF2026001 | 1 | DOCUMENT HOLD SPRING | | | |
| 1-10 | LP2320001 | 1 | TAPTITE CUP B M3X10 | | | |
| 1-11 | LG6575001 | 1 | ADF HARNESS ASSY ALFB SX, DCP8060/MFC8460N/8660DN FOR US/CAN | | | add |
| 1-11 | LT0007001 | 1 | ADF HARNESS ASSY ALFB SX, DCP8060/MFC8460N FOR ARG/CHL | | | add |
| 1-11 | LG6545001 | 1 | ADF HARNESS ASSY ALFB DX, DCP8065DN/MFC8860DN/8870DW/MFC8670DN FOR US/CAN/BRA | | | add |
| 1-11 | LG7199001 | 1 | ADF HARNESS ASSY ALFB DX, DCP8065DN/MFC8860DN FOR ARL/CHL | | | add |
| 2 | LF9703001 | 1 | HINGE ASSY L | | | |
| 3 | 087311016 | 2 | TAPTITE CUP B M3X10 | | | |
| 4 | LS7497001 | 1 | HINGE BASE R | | | CHG |
| 5 | 085411216 | 2 | TAPTITE BIND B M4X12 | | | |
| 6 | 087321217 | 1 | TAPTITE CUP S M3X12 | | | add |

8C5B03/8C5B05/8C5B13/
8C5B14/8C5B15/8C5B16/
8C5B17/8C5B33/8C5B35/
8C5B43/8C5B45

DCP8060/DCP8065DN/MFC8460N/
MFC8660DN/MFC8860DN/MFC8870DW/MFC8670DN



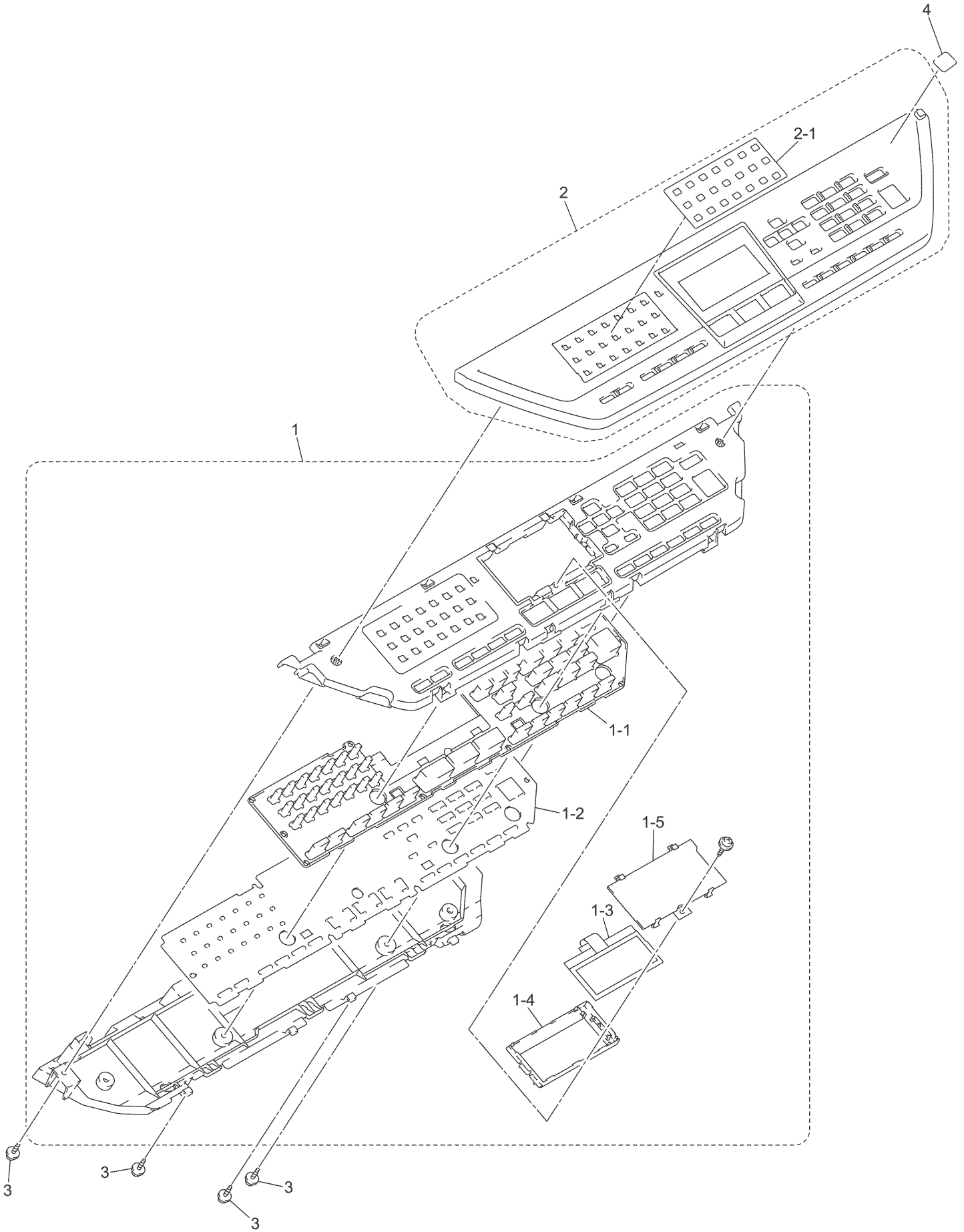
LIST11(ADF2)

| REF No. | CODE | Q'TY | DESCRIPTION | RECOMMEND | SYMBOL | REMARKS |
|-----------|-----------|------|---|-----------|---------|---------|
| 1-2 | LS7296001 | 1 | ADF CHUTE ASSY, DCP8060/MFC8460N/MFC8660DN | | | CHG |
| 1-2 | LS7297001 | 1 | ADF CHUTE ASSY, DCP8065DN/MFC8860DN/MFC8870DW/MFC8670DN | | | CHG |
| 1-2-1 | LE8688001 | 1 | ADF MOTOR | | | |
| 1-2-2 | LP2353001 | 1 | S/B SOLENOID ASSY, DCP8065DN/MFC8860DN/MFC8870DW/MFC8670DN | | | chg |
| 1-2-3 | LP2354001 | 1 | PF SOLENOID ASSY, DCP8065DN/MFC8860DN/MFC8870DW/MFC8670DN | | | chg |
| 1-2-4 | LG6537001 | 1 | ADF RELAY PCB, DCP8060/MFC8460N/MFC8660DN | | B53K847 | |
| 1-2-4 | LG6537002 | 1 | ADF RELAY PCB, DCP8065DN/MFC8860DN/MFC8870DW/MFC8670DN | | B53K847 | |
| 1-2-5 | LF9666001 | 1 | UPPER MAIN CHUTE ASSY | | | |
| 1-2-6 | LF9669001 | 1 | LOWER MAIN CHUTE ASSY, DCP8060/MFC8460N/MFC8660DN | | | |
| 1-2-6 | LF9741001 | 1 | LOWER MAIN CHUTE ASSY, DCP8065DN/MFC8860DN/MFC8870DW/MFC8670DN | | | |
| 1-2-6-1 | LF9671001 | 1 | ACTUATOR R | | | |
| 1-2-6-2 | LF9742001 | 1 | ACTUATOR SB, DCP8065DN/MFC8860DN/MFC8870DW/MFC8670DN | | | |
| 1-2-6-3 | LG2239001 | 1 | PHOTO INTERRUPTER | | | |
| 1-2-6-4 | LG2239001 | 1 | PHOTO INTERRUPTER, DCP8065DN/MFC8860DN/MFC8870DW/MFC8670DN | | | chg |
| 1-2-7 | LF9673001 | 1 | EXIT ROLLER ASSY | | | |
| 1-2-8 | LF9675001 | 1 | LF ROLLER3 ASSY | | | |
| 1-2-9 | LF9677001 | 1 | LF ROLLER4 ASSY | | | |
| 1-2-10 | LF9743001 | 1 | FLAP ASSY, DCP8065DN/MFC8860DN/MFC8870DW/MFC8670DN | | | |
| 1-2-11 | LF9681001 | 1 | PAPER FEED CHUTE ASSY, DCP8060/MFC8460N/MFC8660DN | | | |
| 1-2-11 | LF9747001 | 1 | PAPER FEED CHUTE ASSY, DCP8065DN/MFC8860DN/MFC8870DW/MFC8670DN | | | |
| 1-2-11-1 | LG2239001 | 1 | PHOTO INTERRUPTER | | | |
| 1-2-11-2 | LG2239001 | 1 | PHOTO INTERRUPTER, DCP8065DN/MFC8860DN/MFC8870DW/MFC8670DN | | | |
| 1-2-11-3 | LF9683001 | 1 | ACTUATOR FRONT1 | | | |
| 1-2-11-4 | LF9748001 | 1 | ACTUATOR FRONT2, DCP8065DN/MFC8860DN/MFC8870DW/MFC8670DN | | | |
| 1-2-11-5 | LF9684001 | 1 | SEPARATION SPRING | | | |
| 1-2-11-6 | LF9685001 | 1 | RUBBER HOLDER | | | |
| 1-2-11-7 | LF9686001 | 1 | SEPARATION RUBBER | | | |
| 1-2-11-8 | LE1513001 | 1 | SPRING PLATE ADF FRONT A ASSY | | | |
| 1-2-11-9 | LE2470001 | 1 | ADF FILM | | | |
| 1-2-11-10 | LP2159001 | 2 | PRESSURE ROLLER | | | |
| 1-2-11-11 | LE2472001 | 2 | LF SPRING | | | |
| 1-2-11-12 | LP2907001 | 1 | BACK SHEET ADF | | | add |
| 1-2-12 | LF9692001 | 1 | EXIT CHUTE COVER ASSY | | | |
| 1-2-13 | LP2448001 | 1 | LF ROLLER1 ASSY | | | chg |
| 1-2-14 | LS1030001 | 1 | PF ROLLER HOLDER ASSY | | | chg |
| 1-2-15 | LF9749001 | 1 | SB ROLLER ASSY, DCP8065DN/MFC8860DN/MFC8870DW/MFC8670DN | | | |
| 1-2-16 | LF9751001 | 1 | SB CHUTE ASSY, DCP8065DN/MFC8860DN/MFC8870DW/MFC8670DN | | | |
| 1-2-17 | LP2378001 | 12 | TAPTITE CUP S M3X8 SR | | | |
| 1-2-18 | 087311016 | 14 | TAPTITE CUP B M3X10 | | | |
| 1-2-19 | LF9850001 | 1 | SX CHUTE, DCP8060/MFC8460N/MFC8660DN | | | |
| 1-2-20 | LP2347001 | 4 | LF4 FILM | | | |
| 1-2-21 | 0A4300606 | 2 | SCREW PAN (S/P WASHER) M3X6 | | | CHG |
| 1-2-22 | LS0761001 | 1 | LF ROLLER2 ASSY | | | add |

8C5B03/8C5B05/8C5B13/
8C5B14/8C5B15/8C5B16/
8C5B17/8C5B33/8C5B35/
8C5C43/8C5B45

DCP8060/DCP8065DN/MFC8460N/
MFC8660DN/MFC8860DN/MFC8870DW/MFC8670DN

12. PANEL



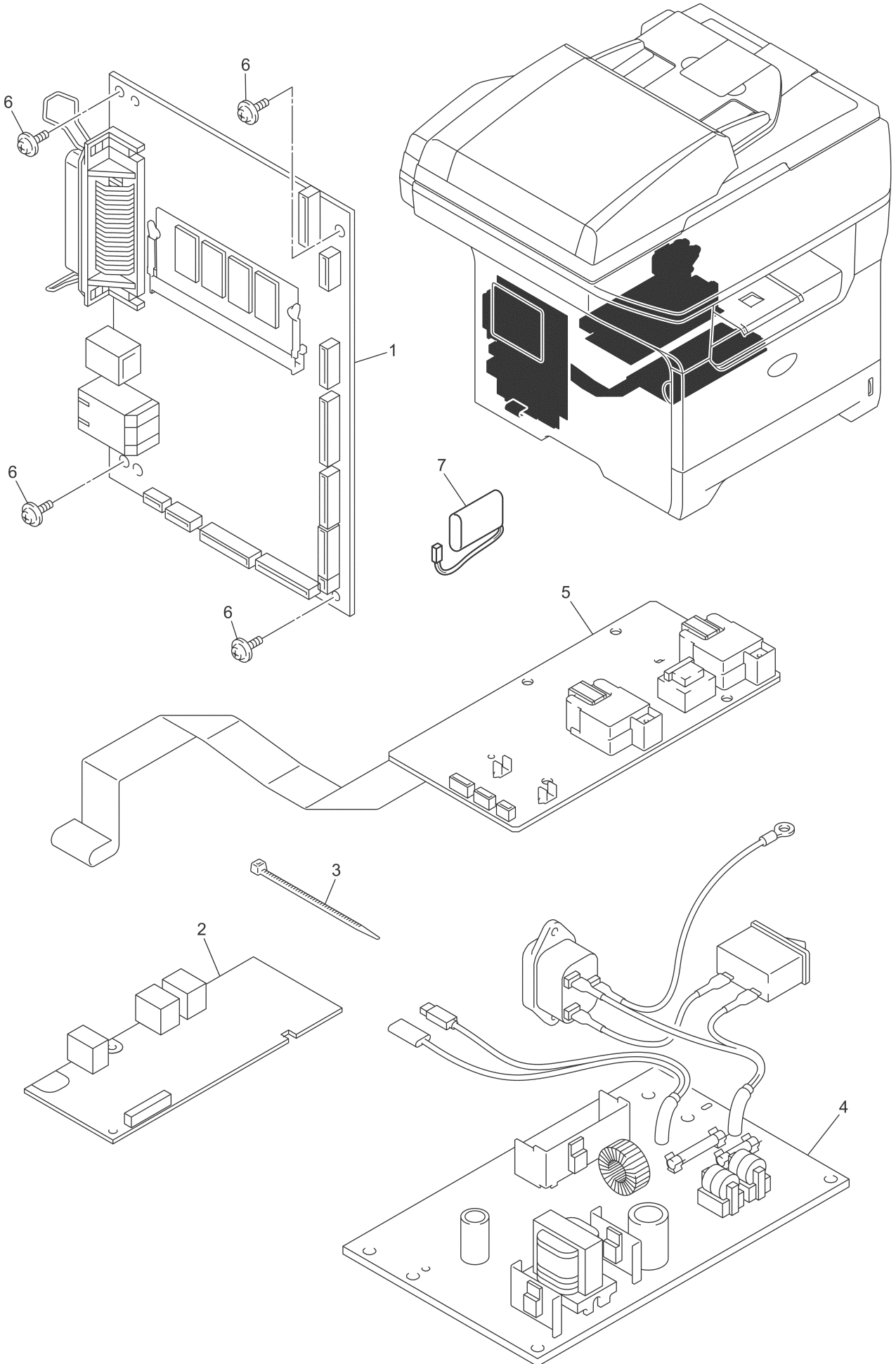
LIST12(PANEL)

| REF No. | CODE | QTY | DESCRIPTION | RECOMMEND | SYMBOL | REMARKS |
|---------|----------------------|--------------|---|-----------|---------|----------------|
| 1 | LF9768001 | 1 | PANEL UNIT, DCP8060/DCP8065DN | | | |
| 1 | LF9704001 | 1 | PANEL UNIT, MFC8460N/MFC8660DN/MFC8860DN/ MFC8870DW/MFC8670DN | | | |
| 1-1 | LF9769001 | 1 | PRINTED RUBBER KEY, DCP8060/DCP8065DN | | | |
| 1-1 | LF9706001 | 1 | PRINTED RUBBER KEY, MFC8460N/MFC8660DN/MFC8860DN/ MFC8870DW/MFC8670DN | | | |
| 1-2 | LG6547002 | 1 | PANEL PCB ASSY, DCP8060/DCP8065DN | | B53K852 | |
| 1-2 | LG6547001 | 1 | PANEL PCB ASSY, MFC8460N/MFC8660DN/MFC8860DN/ MFC8870DW/MFC8670DN | | B53K852 | |
| 1-3 | LG6549001 | 1 | LCD | | | |
| 1-4 | LG6550001 | 1 | BACK LIGHT MODULE | | | |
| 1-5 | LF9709001 | 1 | LCD COVER | | | |
| 2 | LF9771001 | 1 | PANEL COVER ASSY, DCP8060 FOR US/CAN | | | |
| 2 | LF9775001 | 1 | PANEL COVER ASSY, DCP8065DN | | | |
| 2 | LF9712001 | 1 | PANEL COVER ASSY, MFC8460N | | | |
| 2 | LP2407001 | 1 | PANEL COVER ASSY, MFC8660DN | | | add |
| 2 | LF9756001 | 1 | PANEL COVER ASSY, MFC8860DN FOR US/CAN/ARG/CHL | | | |
| 2 | LF9778001 | 1 | PANEL COVER ASSY, MFC8870DW | | | |
| 2 | LP2163001 | 1 | PANEL COVER ASSY, DCP8060 FOR ARG/CHL | | | |
| 2 | LP2061001 | 1 | PANEL COVER ASSY, MFC8860DN FOR BRA | | | |
| 2 | LS1097001 | 1 | PANEL COVER ASSY, MFC8670DN | | | |
| 2-1 | LF9717001 | 1 | ADDRESS LABEL, MFC8460N/MFC8660DN/MFC8860DN/ MFC8870DW/MFC8670DN | | | ADD |
| 3 | 087411216 | 4 | TAPTITE CUP B M4X12 | | | |
| 4 | LP0380001 | 1 | WIRELESS EMBLEM, MFC8870DW | | | add |
| 5 | LF9717001 | 1 | ADDRESS LABEL, MFC8460N/MFC8660DN/MFC8860DN/ MFC8870DW/MFC8670DN | | | DEL |

8C5B03/8C5B05/8C5B13/
8C5B14/8C5B15/8C5B16/
8C5B17/8C5B33/8C5B35/
8C5B43/8C5B45

DCP8060/DCP8065DN/MFC8460N/
MFC8660DN/MFC8860DN/MFC8870DW/MFC8670DN

13. PCB



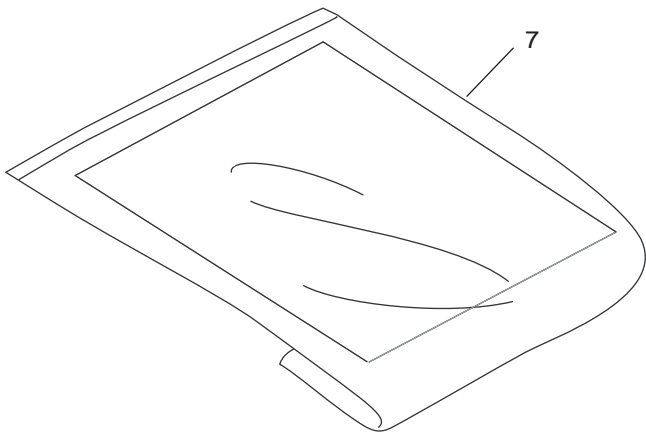
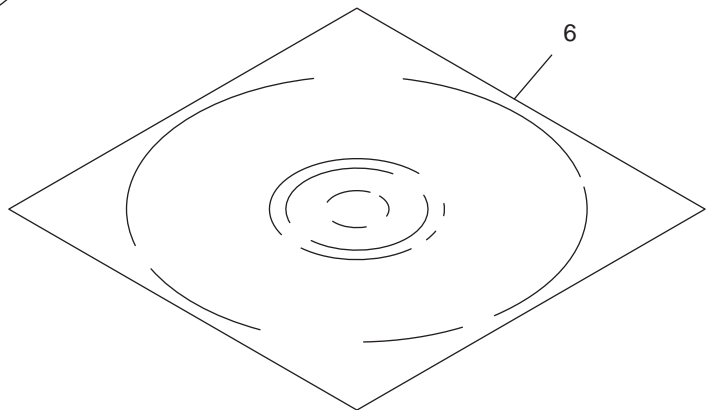
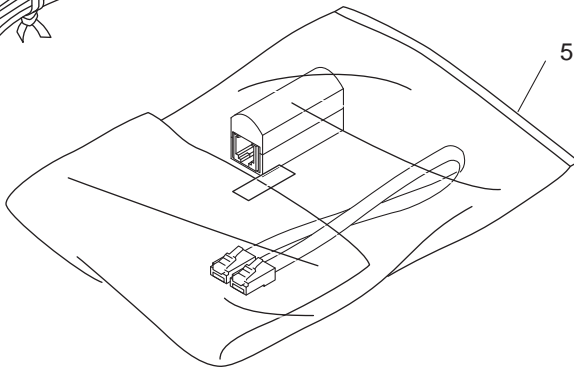
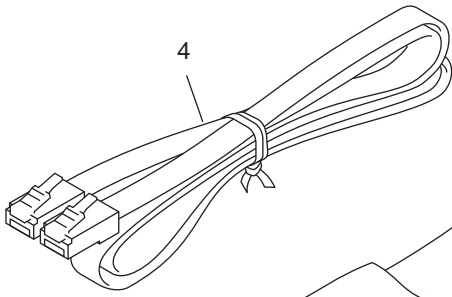
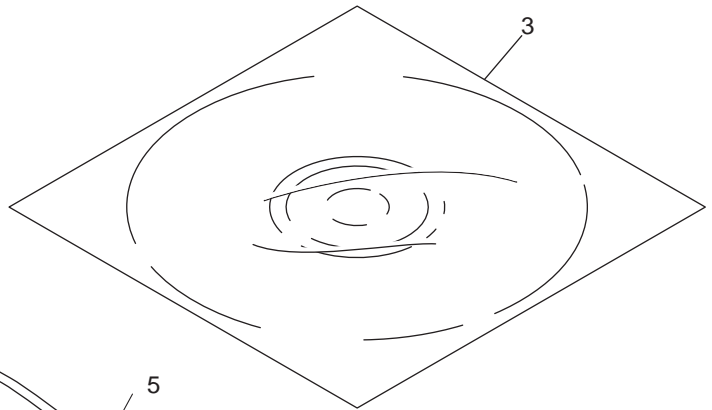
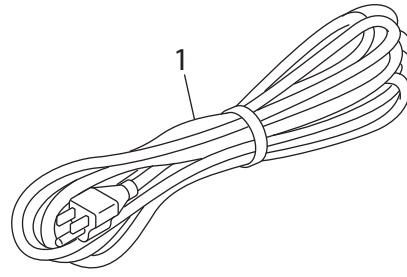
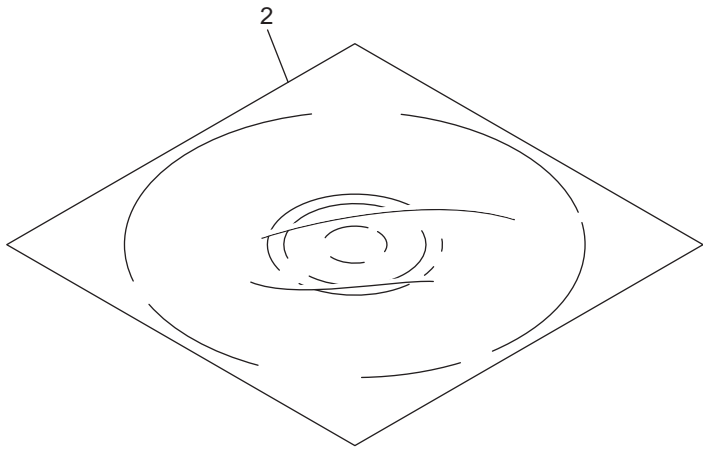
LIST13(PCB)

| REF No. | CODE | Q'TY | DESCRIPTION | RECOMMEND | SYMBOL | REMARKS |
|---------|-----------|------|---|-----------|---------|---------|
| 1 | LG6566001 | 1 | MAIN PCB ASSY, DCP8060 | √ | B53K830 | |
| 1 | LG6567001 | 1 | MAIN PCB ASSY, DCP8065DN | √ | B53K830 | |
| 1 | LG6552001 | 1 | MAIN PCB ASSY, MFC8460N FOR US/CAN | √ | B53K830 | |
| 1 | LG6661001 | 1 | MAIN PCB ASSY, MFC8660DN | √ | B53K830 | add |
| 1 | LG6563001 | 1 | MAIN PCB ASSY, MFC8860DN/MFC8670DN FOR US/CAN | √ | B53K830 | |
| 1 | LG6568001 | 1 | MAIN PCB ASSY, MFC8870DW | √ | B53K830 | |
| 1 | LG6552004 | 1 | MAIN PCB ASSY, MFC8460N FOR ARG | √ | B53K830 | |
| 1 | LG6563004 | 1 | MAIN PCB ASSY, MFC8860DN FOR ARG/CHL/BRA | √ | B53K830 | |
| 2 | LT0867001 | 1 | NCU PCB ASSY, MFC8460N/MFC8660DN/ MFC8860DN/MFC8870DW/MFC8670DN FOR US | √ | B57T013 | CHG |
| 2 | LT0867002 | 1 | NCU PCB ASSY, MFC8460N/8860DN/8870DW FOR CAN | √ | B57T013 | CHG |
| 2 | LG6190005 | 1 | NCU PCB ASSY, MFC8460N/MFC8860DN FOR ARG/CHL | √ | B53K786 | |
| 2 | LG6190006 | 1 | NCU PCB ASSY, MFC8860DN FOR BRA | √ | B53K786 | chg |
| 3 | LJ8657001 | 1 | BINDER 2.3X79 | | | |
| 4 | LG6556001 | 1 | PS PCB UNIT, DCP8060/DCP8065DN/MFC8460N/MFC8660DN/ MFC8860DN/MFC8670DN FOR US/CAN/BRA | | | |
| 4 | LG7176001 | 1 | PS PCB UNIT, MFC8870DW | | | add |
| 4 | LG6623001 | 1 | PS PCB UNIT, DCP8060/DCP8065DN FOR ARG/CHL | | | |
| 4 | LG7057001 | 1 | PS PCB UNIT, MFC8460N/MFC8860DN FOR ARG/CHL | | | |
| 5 | LJ9978001 | 1 | HIGH-VOLTAGE PS PCB ASSY | | | |
| 6 | LM5867001 | 4 | TAPTITE CUP S M3X6 SR | | | |
| 7 | LG5921001 | 1 | BATTERY ASSY, DCP8065DN/MFC8460N/ MFC8660DN/MFC8860DN/MFC8870DW/MFC8670DN | √ | | |

8C5B03/8C5B05/8C5B13/
8C5B14/8C5B15/8C5B16/
8C5B17/8C5B33/8C5B35/
8C5B43/8C5B45

DCP8060/DCP8065DN/MFC8460N/
MFC8660DN/MFC8860DN/MFC8870DW/MFC8670DN

14. ACCESSORIES

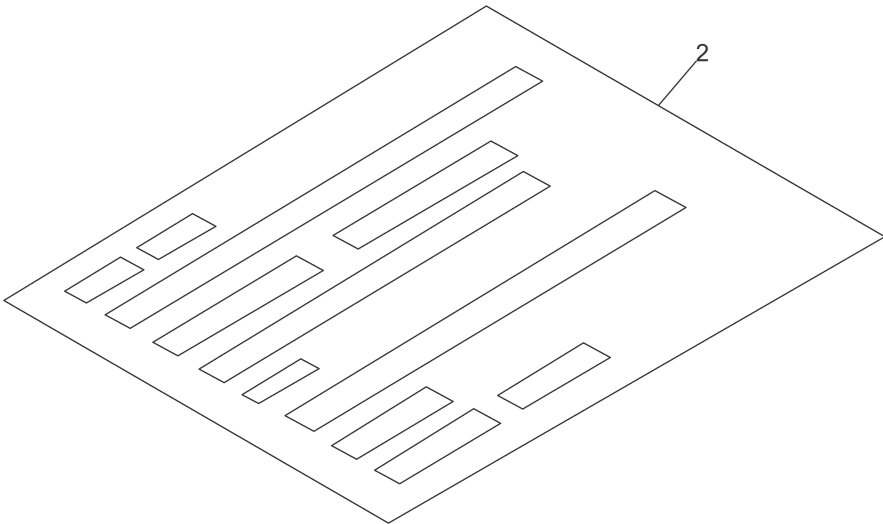
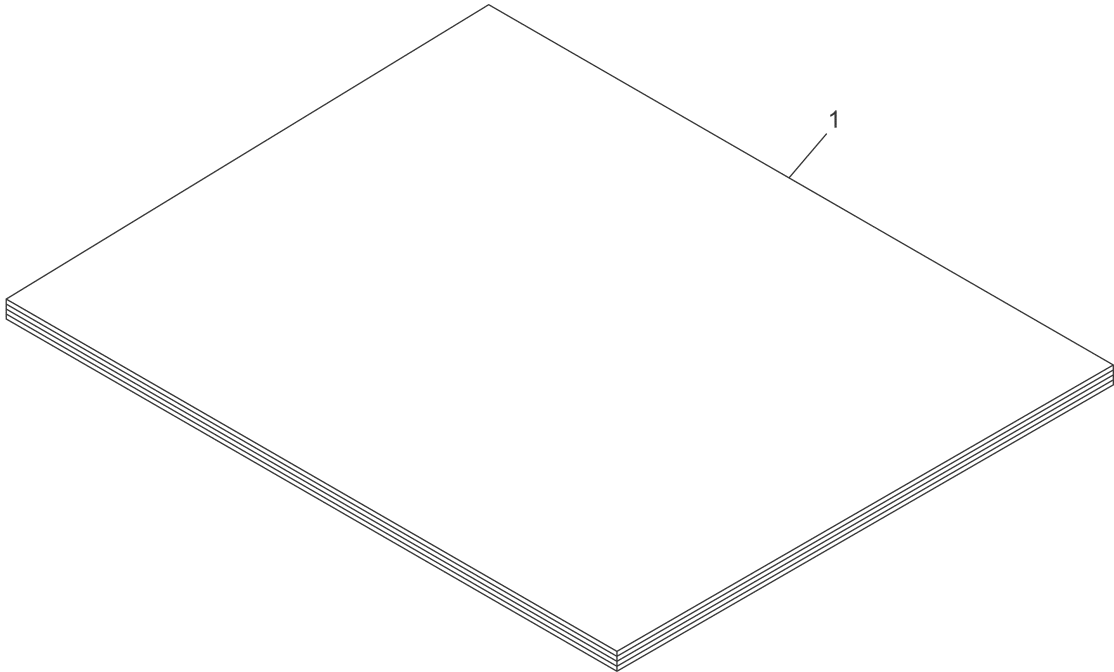


LIST14(Accessories)

| REF No. | CODE | QTY | DESCRIPTION | RECOMMEND | REMARKS |
|---------|----------------------|-----|--|-----------|---------|
| 1 | LG4400001 | 1 | AC CORD BAG ASSY FOR US/CAN | | |
| 1 | LT0925001 | 1 | AC CORD BAG ASSY FOR ARG | | chg |
| 1 | LG6207001 | 1 | AC CORD BAG ASSY FOR CHL | | |
| 1 | LT0914001 | 1 | AC CORD BAG ASSY FOR BRA | | chg |
| 2 | LP2046001 | 1 | CD-ROM ASSY, DCP8060 FOR US/CAN (Windows) | | |
| 2 | LP2214001 | 1 | CD-ROM ASSY, DCP8065DN FOR US (Windows) | | |
| 2 | LP2015001 | 1 | CD-ROM ASSY, MFC8460N FOR US/CAN (Windows) | | |
| 2 | LP2409001 | 1 | CD-ROM ASSY, MFC8660DN (Windows) (Macintosh) | | add |
| 2 | LP2215001 | 1 | CD-ROM ASSY, MFC8860DN FOR US/CAN (Windows) | | |
| 2 | LP2216001 | 1 | CD-ROM ASSY, MFC8870DW (Windows) | | |
| 2 | LP2153001 | 1 | CD-ROM ASSY, DCP8065DN FOR ARG (Windows) | | |
| 2 | LP2101001 | 1 | CD-ROM ASSY, DCP8060 FOR ARG/CHL (Windows) | | |
| 2 | LS0040001 | 1 | CD-ROM ASSY, MFC8460N FOR ARG (Windows) | | |
| 2 | LP2063001 | 1 | CD-ROM ASSY, MFC8860DN FOR ARG/CHL/BRA (Windows) | | |
| 3 | LP2211001 | 1 | CD-ROM ASSY, DCP8060/DCP8065DN (Macintosh) | | chg |
| 3 | LS0041001 | 1 | CD-ROM ASSY, MFC8460N/MFC8860DN FOR US/CAN/BRA/ARG/CHL (Macintosh) | | chg |
| 3 | LP2285001 | 1 | CD-ROM ASSY, MFC8870DW (Macintosh) | | chg |
| 3 | LS1100001 | 1 | CD-ROM ASSY, MFC8670DN (Windows) (Macintosh) | | |
| 3 | LP2209004 | 4 | CD-ROM ASSY, DCP8060 FOR ARG/CHL (Macintosh) | | del |
| 3 | LS0041004 | 4 | CD-ROM ASSY, MFC8860DN FOR ARG/CHL (Macintosh) | | del |
| 4 | LG3077001 | 1 | TELEPHONE LINE CORD, MFC8460N/MFC8660DN/MFC8860DN/MFC8870DW/MFC8670DN | | |
| 5 | LG6592001 | 1 | FILTER ASSY, MFC8860DN FOR BRA | | add |
| 6 | LS1218001 | 1 | CD-ROM ASSY VISTA, DCP8060/8065DN/MFC8460N/8660DN/ 8860DN/8870DW/MFC8670DN FOR US/CAN | | chg |
| 6 | LS0475001 | 1 | CD-ROM ASSY VISTA, DCP8060/MFC8860DN FOR ARG/CHL/BRA | | chg |
| 6 | LS0474001 | 1 | CD-ROM ASSY VISTA, DCP8065DN/MFC8460N FOR ARG | | |
| 7 | LU1261001 | 1 | DRUM CLEANING SHEET KIT | | ADD |

8C5B03/8C5B05/8C5B13/
8C5B14/8C5B15/8C5B16/
8C5B17/8C5B33/8C5B35/
8C5B43/8C5B45

DCP8060/DCP8065DN/MFC8460N/
MFC8660DN/MFC8860DN/MFC8870DW/MFC8670DN



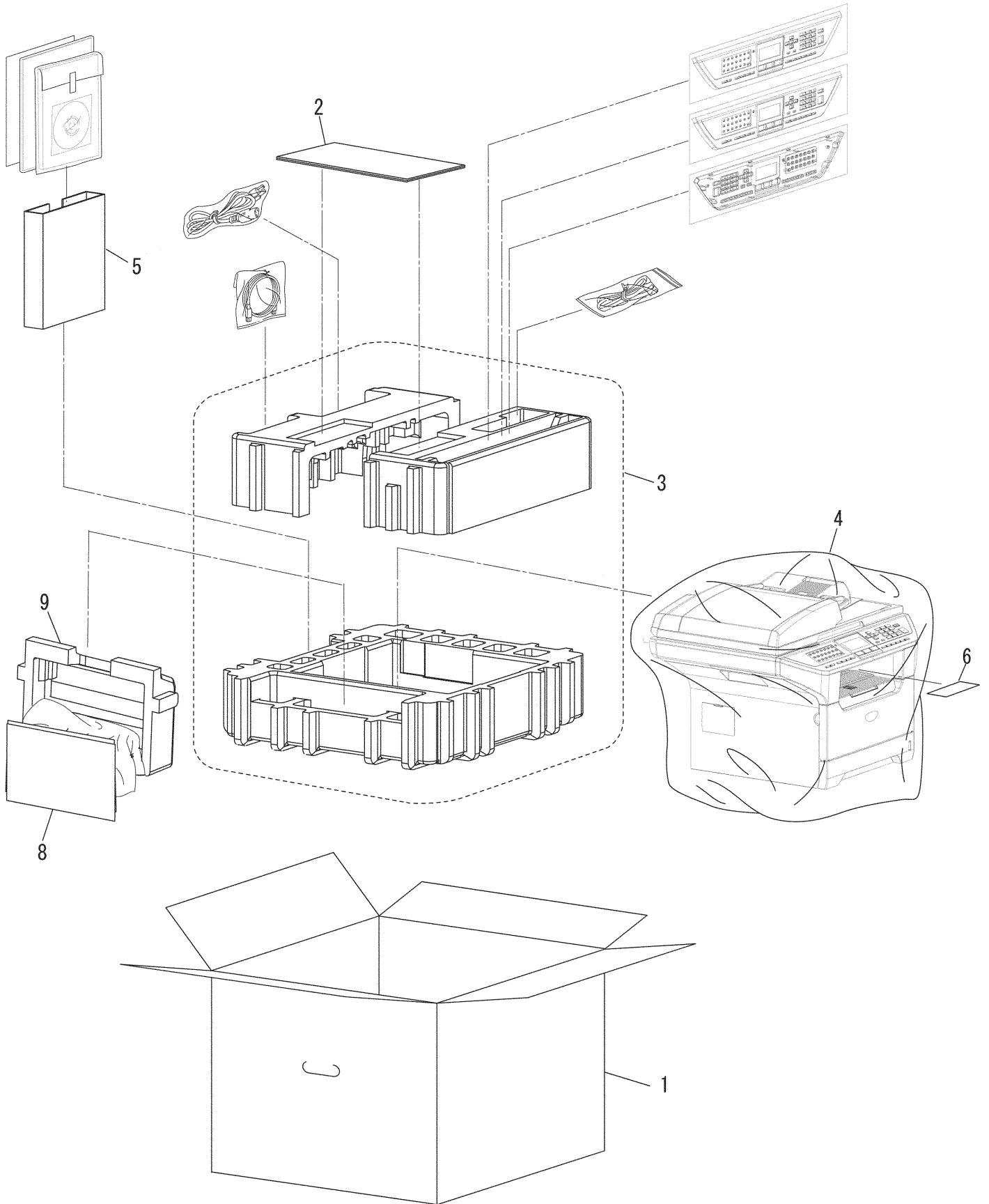
LIST15(PRINTED MATERIALS)

| REF No. | CODE | Q'TY | DESCRIPTION | RECOMMEND | REMARKS |
|---------|----------------------|------|--|-----------|---------|
| 1 | LP2049001 | 1 | USER'S GUIDE, DCP8060/DCP8065DN [ENGLISH] | | |
| 4 | LP2479004 | 4 | USER'S GUIDE, MFC8660DN FOR US [ENGLISH] | | DEL |
| 1 | LS1102001 | 1 | USER'S GUIDE, MFC8460N/MFC8660DN/MFC8860DN/MFC8870DW/ MFC8670DN FOR US/CAN [ENGLISH] | | add |
| 4 | LP2019004 | 4 | USER'S GUIDE, MFC8460N/MFC8860DN/MFC8870DW FOR US/CAN [ENGLISH] | | del |
| 1 | LP2049002 | 1 | USER'S GUIDE, DCP8060 FOR CAN [FRENCH] | | |
| 1 | LP2019002 | 1 | USER'S GUIDE, MFC8460N/MFC8860DN/MFC8870DW FOR CAN [FRENCH] | | |
| 1 | LP2323040 | 1 | USER'S GUIDE, DCP8065DN FOR ARG | | |
| 1 | LP2124040 | 1 | USER'S GUIDE, MFC8460N FOR ARG | | |
| 2 | LP2055001 | 1 | FRENCH SEAL, DCP8060 FOR CAN | | |
| 2 | LP2030001 | 1 | FRENCH SEAL, MFC8460N FOR CAN | | |
| 2 | LP2070001 | 1 | FRENCH SEAL, MFC8860DN/MFC8870DW FOR CAN | | |

8C5B03/8C5B05/8C5B13/
8C5B14/8C5B15/8C5B16/
8C5B17/8C5B33/8C5B35/
8C5B43/8C5B45

DCP8060/DCP8065DN/MFC8460N/
MFC8660DN/MFC8860DN/MFC8870DW/MFC8670DN

16. PACKING MATERIALS



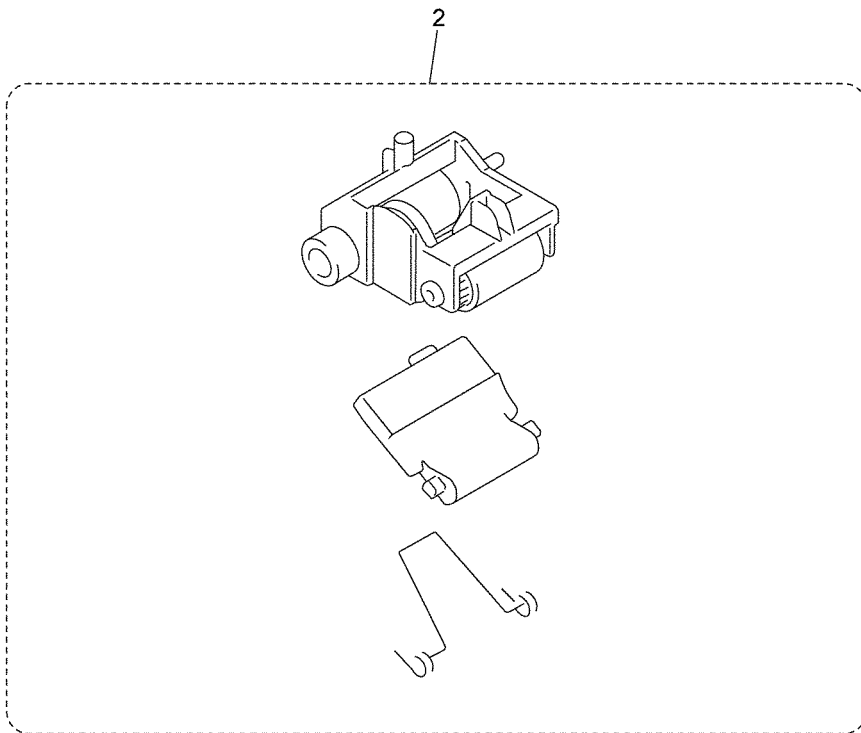
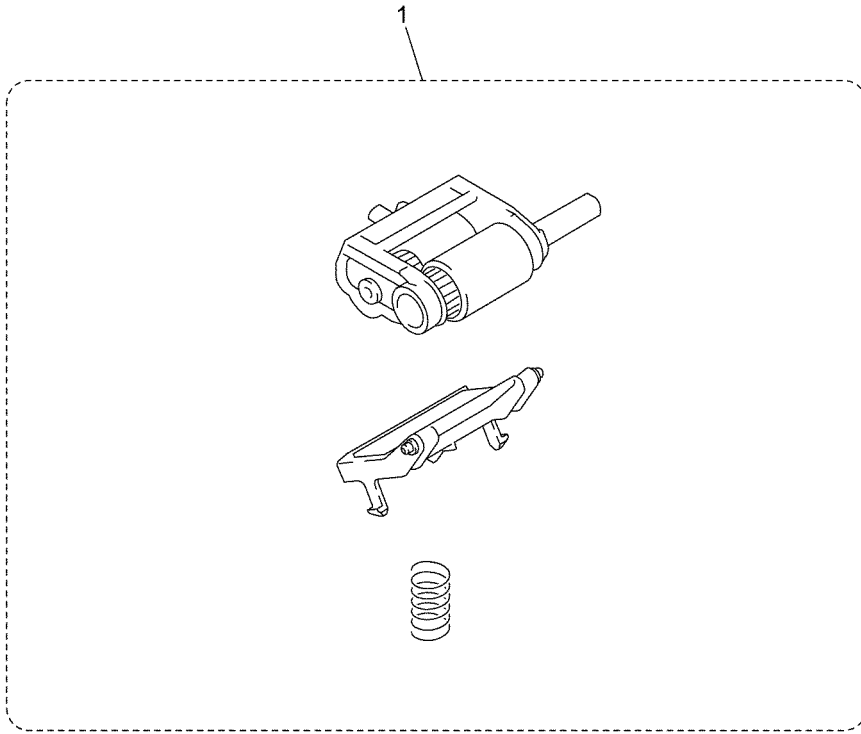
LIST16(PACKING MATERIALS)

| REF No. | CODE | Q'TY | DESCRIPTION | RECOMMEND | REMARKS |
|---------|-----------|------|---|-----------|---------|
| 1 | LP2485001 | 1 | CARTON BROTHER, DCP8060 | √ | chg |
| 1 | LP2486001 | 1 | CARTON BROTHER, DCP8065DN | √ | chg |
| 1 | LP2487001 | 1 | CARTON BROTHER, MFC8460N | √ | chg |
| 1 | LP2413001 | 1 | CARTON BROTHER, MFC8660DN | √ | add |
| 1 | LP2490001 | 1 | CARTON BROTHER, MFC8860DN | √ | chg |
| 1 | LP2066001 | 1 | CARTON BROTHER, MFC8870DW | √ | |
| 1 | LS1104001 | 1 | CARTON BROTHER, MFC8670DN | √ | |
| 2 | LP2053001 | 1 | QUICK SETUP GUIDE, DCP8060/DCP8065DN FOR US/CAN [ENGLISH] | | |
| 2 | LP2024001 | 1 | QUICK SETUP GUIDE, MFC8460N/MFC8860DN FOR US/CAN [ENGLISH] | | |
| 2 | LP2416001 | 1 | QUICK SETUP GUIDE, MFC8660DN | | add |
| 2 | LS1107001 | 1 | QUICK SETUP GUIDE, MFC8670DN | | |
| 2 | LP2067001 | 1 | QUICK SETUP GUIDE, MFC8870DW [ENGLISH] | | |
| 2 | LP2053002 | 1 | QUICK SETUP GUIDE, DCP8060 FOR CAN [FRENCH] | | |
| 2 | LP2024002 | 1 | QUICK SETUP GUIDE, MFC8460N/MFC8860DN FOR CAN [FRENCH] | | |
| 2 | LP2067002 | 1 | QUICK SETUP GUIDE, MFC8870DW FOR CAN [FRENCH] | | |
| 2 | LP2086040 | 1 | QUICK SETUP GUIDE, DCP8065DN FOR ARG | | |
| 2 | LP2161040 | 1 | QUICK SETUP GUIDE, MFC8460N FOR ARG | | |
| 3 | LP2456001 | 1 | POLYSTYRENE FORM PAD ASSY | | chg |
| 4 | UE1688001 | 1 | PE BAG 1000X1000H | | |
| 5 | LF9725001 | 1 | CARTON OPTION | | |
| 6 | LL0696001 | 1 | SHEET 70x110 | | |
| 7 | --- | | N/A | | |
| 8 | LF9984001 | 1 | DRUM UNIT PAD | | add |
| 9 | LP2460001 | 1 | POLYSTYRENE FOAM PAD DRUM | | ADD |

8C5B03/8C5B05/8C5B13/
8C5B14/8C5B15/8C5B16/
8C5B17/8C5B33/8C5B35/
8C5B43/8C5B45

DCP8060/DCP8065DN/MFC8460N/
MFC8660DN/MFC8860DN/MFC8870DW/MFC8670DN

17. OTHERS



LIST17(OTHERS)

| REF No. | CODE | Q'TY | DESCRIPTION | RECOMMEND | REMARKS |
|---------|-----------|------|--------------------------|-----------|---------|
| 1 | LM5852001 | 1 | ROLLER HOLDER SP ASSY | | |
| 2 | LM6753001 | 1 | MP ROLLER HOLDER SP ASSY | | CHG |

8C5B03/8C5B05/8C5B13/
 8C5B14/8C5B15/8C5B16/
 8C5B17/8C5B33/8C5B35/
 8C5B43/8C5B45

DCP8060/DCP8065DN/MFC8460N/
 MFC8660DN/MFC8860DN/MFC8870DW/MFC8670DN

brother®

PL-FAX124
8C5B03
Ver. AN-1