

brother[®]

PARTS REFERENCE LIST

MODEL: DP-540CJmail

MECHANISMS & ELECTRONICS

NOTES FOR USING THIS PARTS REFERENCE LIST

1. In the case of ordering parts, it needs mentioning the following items:

- (1) Code
- (2) Q'ty
- (3) Description
- (4) Symbol (PCB No., Revision , and Parts location mounted on the PCB.)

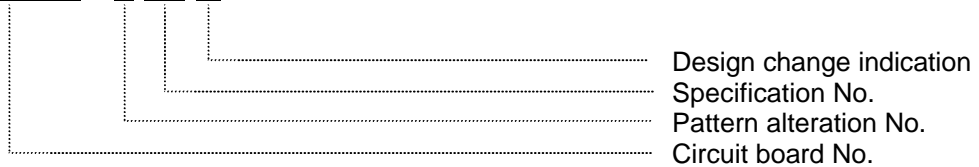
Note : No orders without Parts Code or Tool No. can be accepted.

[Example]

REF. NO.	SYMBOL	CODE	Q'TY	DESCRIPTION	REMARKS

Revision No. : marked on the printed circuit board.

B48J300 - 1 01 A



2. Design-changed parts:

When the parts are changed, any one of the following symbols is indicated in the REMARKS column.

- CHNG#A : compatible between old and new
- CHNG#B : replaceable from old to new
- CHNG#D : incompatible
- ADD : newly established

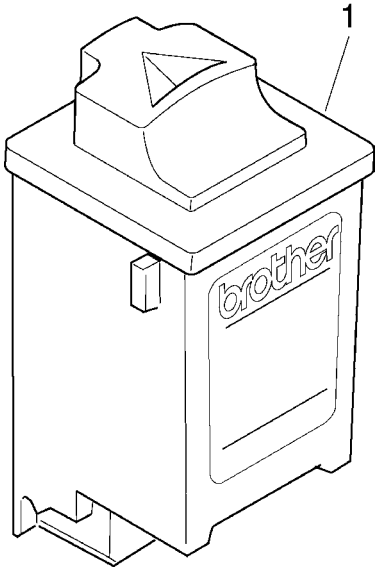
3. The original of this list was made based on the information available in June, '98.

4. Parts are subject to change in design without prior notice.

CONTENTS

1 . PRINT HEAD.....	1
2 . CHASSIS ATTACHMENTS.....	3
3 . COVERS	7
4 . LCD	9
5 . FLOPPY DISK DRIVE.....	9
6 . AC ADAPTERS	11
7 . MAIN PCB	13
8 . POWER SUPPLY PCB.....	17
9 . ATTACHMENTS.....	17
10 . PRINTED MATERIALS.....	19
11 . PACKING MATERIALS.....	19
12 . KEYBOARD UNIT.....	21

1 . PRINT HEAD

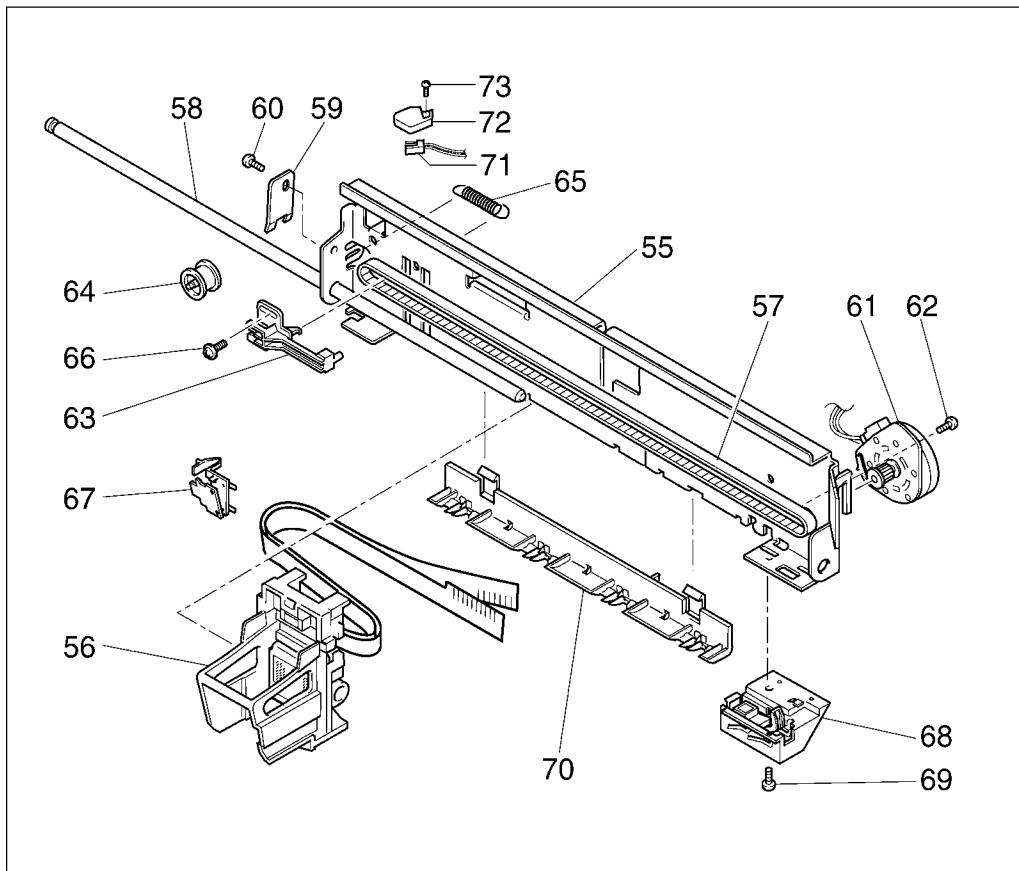
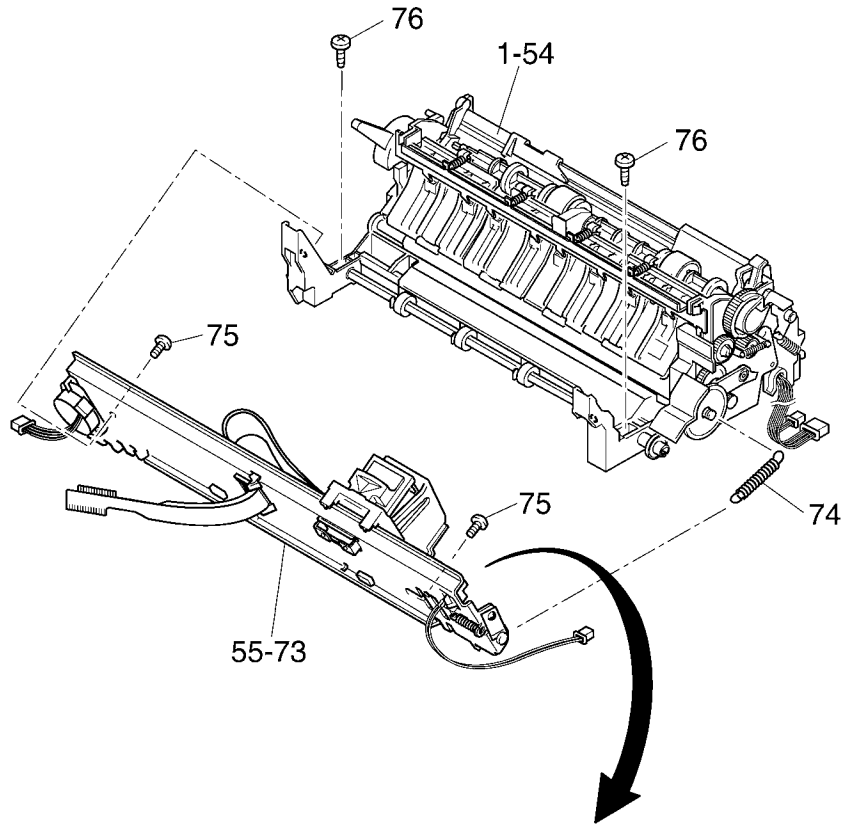


1 . PRINT HEAD

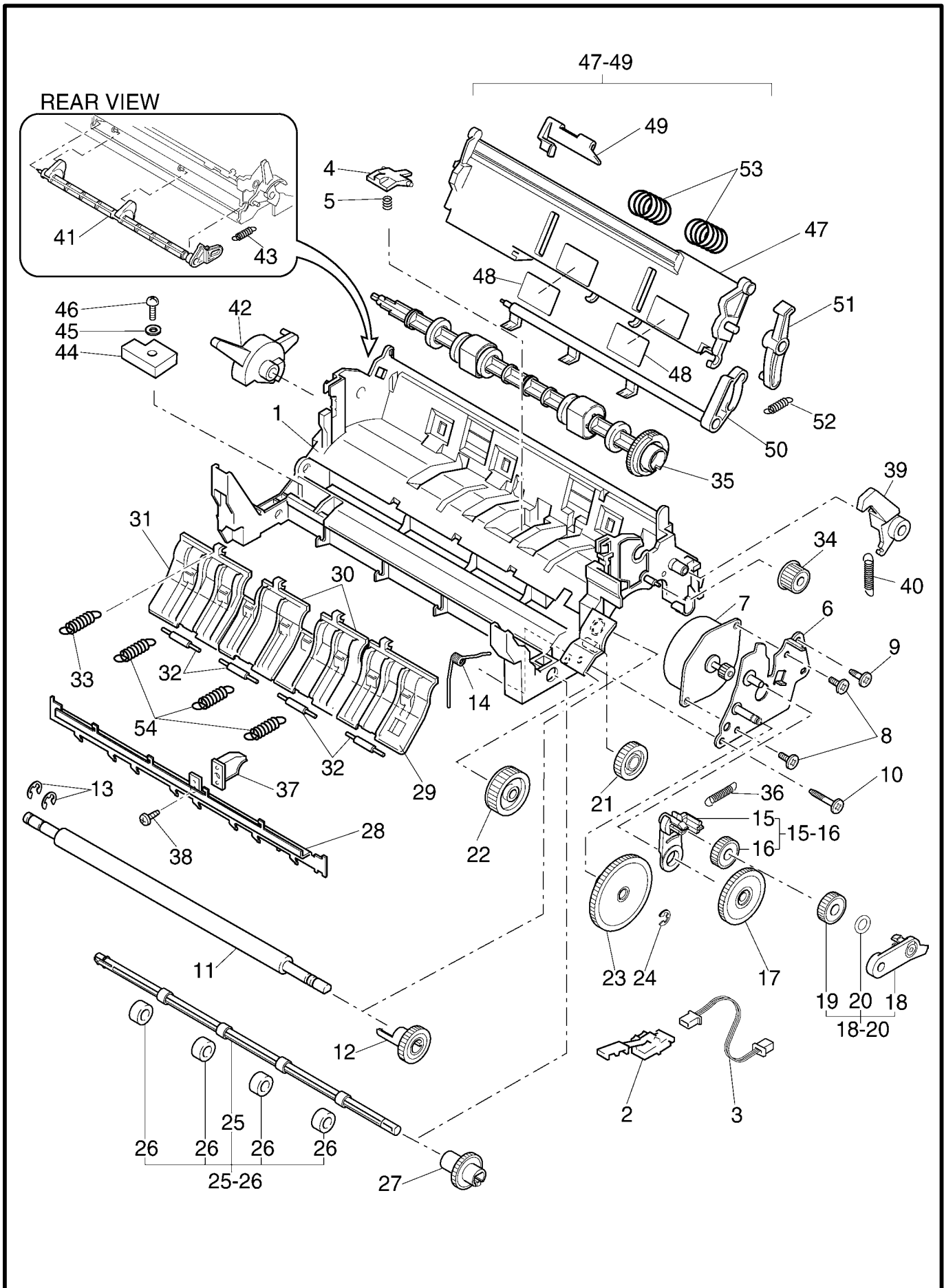
REF.NO.	CODE	Q'TY	DESCRIPTION	REMARKS
1	US3362001	1	PRINT HEAD ASSY 2, MONO	
1	US3363001	1	PRINT HEAD ASSY 2, COLOR	

MODEL DP-540CJmail 53T-433-017

2. CHASSIS ATTACHMENTS



2. CHASSIS ATTACHMENTS



MODEL DP-540CJmail 53T-433-033

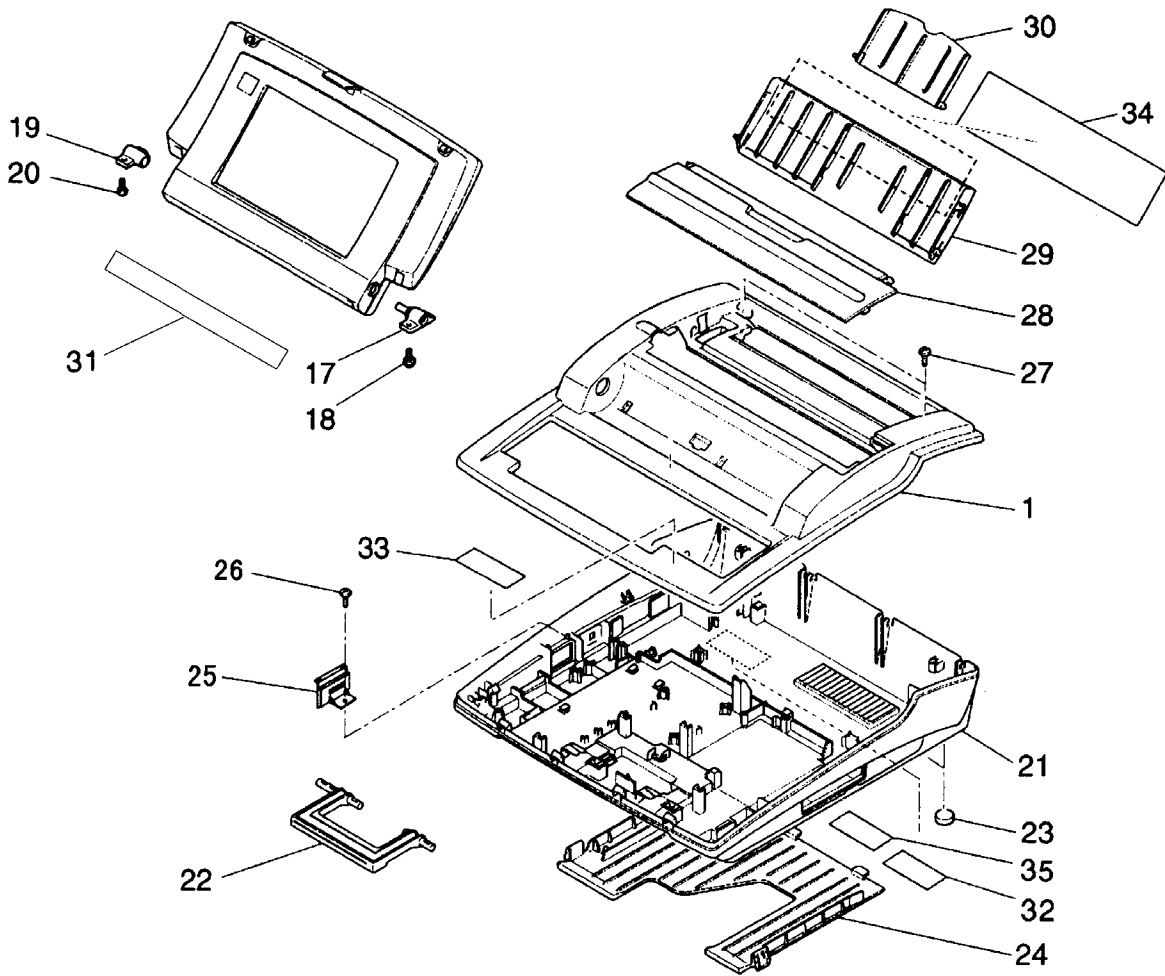
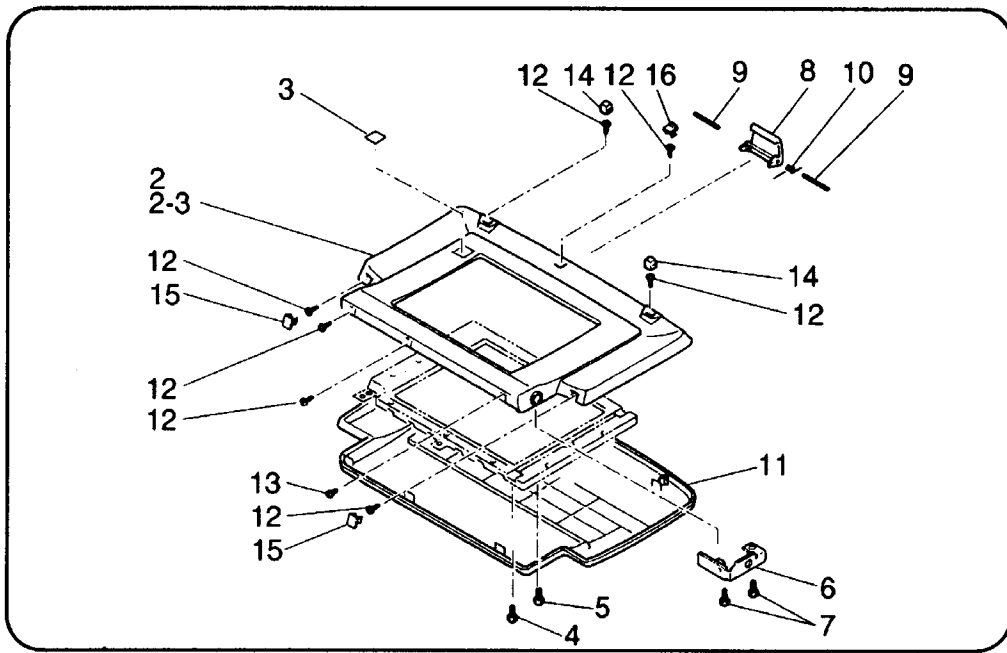
2 . CHASSIS ATTACHMENTS

REF.NO.	CODE	Q'TY	DESCRIPTION	REMARKS
1-53	US2886001	1	PF UNIT	
1	US2887001	1	PF BASE ASSY	
2	US2970001	1	PE SENSOR	
3	US2971001	1	SENSOR HARNESS	
4	US2890001	1	PF STOPPER	
5	US2891001	1	STOPPER SPRING	
6	US2892001	1	PF MOTOR FRAME ASSY	
7	US3198001	1	PF MOTOR	
8	000300515	2	SCREW, BIND M3X5	
9	U06923001	1	TAPTITE, BIND B M3X10	
10	085312015	1	TAPTITE, BIND B M3X20	
11	US2898001	1	PF ROLLER ASSY	
12	US2900000	1	PF ROLLER GEAR	
13	048040346	2	RETAINING RING, E4	
14	US2902001	1	SPRING R	
15-16	US2903001	1	CHANGE LEVER 2 ASSY	
15	US2904000	1	CHANGE LEVER 2	
16	US2905000	1	IDLE GEAR 3	
17	US2906000	1	IDLE GEAR 2	
18-20	US2907001	1	CHANGE LEVER 1 ASSY	
18	US2908000	1	CHANGE LEVER 1	
19	US2905000	1	IDLE GEAR 3	
20	US2909001	1	WASHER, SPRING	
21	US2910000	1	IDLE GEAR 5	
22	US2911000	1	IDLE GEAR 6	
23	US2912000	1	IDLE GEAR 1	
24	048030346	1	RETAINING RING, E3	
25-26	US2913001	1	EJECT ROLLER ASSY	
25	US2914001	1	EJECT ROLLER SHAFT	
26	US2915001	4	EJECT ROLLER	
27	US2916000	1	EJECT ROLLER GEAR	
28	US2925000	1	HOLDER PLATE	
29	US2926001	1	ROLLER HOLDER R	
30	US2927001	2	ROLLER HOLDER M	
31	US2928001	1	ROLLER HOLDER L	
32	US3153001	4	PRESSURE ROLLER	
33	US2929001	1	PRESSURE ROLLER SPRING A	
34	US2930000	1	IDLE GEAR 4	
35	US2931001	1	ACF SHAFT ASSY	
36	US2936001	1	SPRING	
37	US2937000	1	ACF SHAFT STOPPER	
38	U06923001	1	TAPTITE, BIND B M3X10	
39	US2938000	1	ACF SHAFT LOCKER	
40	US2939001	1	LOCKER SPRING	
41	US2940001	1	RELEASE SHAFT	
42	US2941021	1	RELEASE LEVER, GRAY1251	
43	US2942001	1	RELEASE SPRING	
44	US2944001	1	FORM	
45	US2945001	1	SPACER	
46	U06923001	1	TAPTITE, BIND B M3X10	
47-48	US2917021	1	HOPPER ASSY	
47	US2919001	2	SEPARATE PAD	
48	US2923021	1	PAPER GUIDE, GRAY1251	
49	US2920001	1	ACF CHANGE SHAFT	
50	US2921021	1	ACF CHANGE LEVER, GRAY1251	
51	US2922001	1	CHANGE SPRING	
52	US2924001	2	HOPPER SPRING	
53	US3468001	3	PRESSURE ROLLER SPRING B	
54-72	US2946001	1	CA UNIT	
54	US2947000	1	CA FRAME	
55	US2948001	1	CARRIAGE ASSY	
56	US2955001	1	TIMING BELT	
57	US2956001	1	GUIDE SHAFT	
58	US0727000	1	MAIN SHAFT STOPPER	
59	085280515	1	TAPTITE, BIND S M2.6X5	
60	US2957001	1	CA MOTOR	
61	US0468001	1	TAPPING SCREW, PAN S M3X6	

2 . CHASSIS ATTACHMENTS

REF.NO.	CODE	Q'TY	DESCRIPTION	REMARKS
62	US2959000	1	IDLE PULLEY HOLDER	
63	US2960000	1	IDLE PULLEY	
64	US2961001	1	PULLEY HOLDER SPRING	
65	U22702001	1	SCREW, PAN (S/P WASHER) M3X10	
66	US2962000	1	FPC LOCKER	
67	US2963001	1	MS HOLDER ASSY	
68	US0468001	1	TAPPING SCREW, PAN S M3X6	
69	US2965001	1	STAR WHEEL HOLDER ASSY	
70	US2972001	1	LEAF SWITCH ASSY	
71	US2973001	1	LEAF SWITCH COVER	
72	000261215	1	SCREW, BIND M2.6X12	
73	US2969001	1	EARTH SPRING	
74	U06923001	2	TAPTITE, BIND B M3X10	
75	U08740001	2	TAPTITE, BIND B M4X12	

3. COVERS

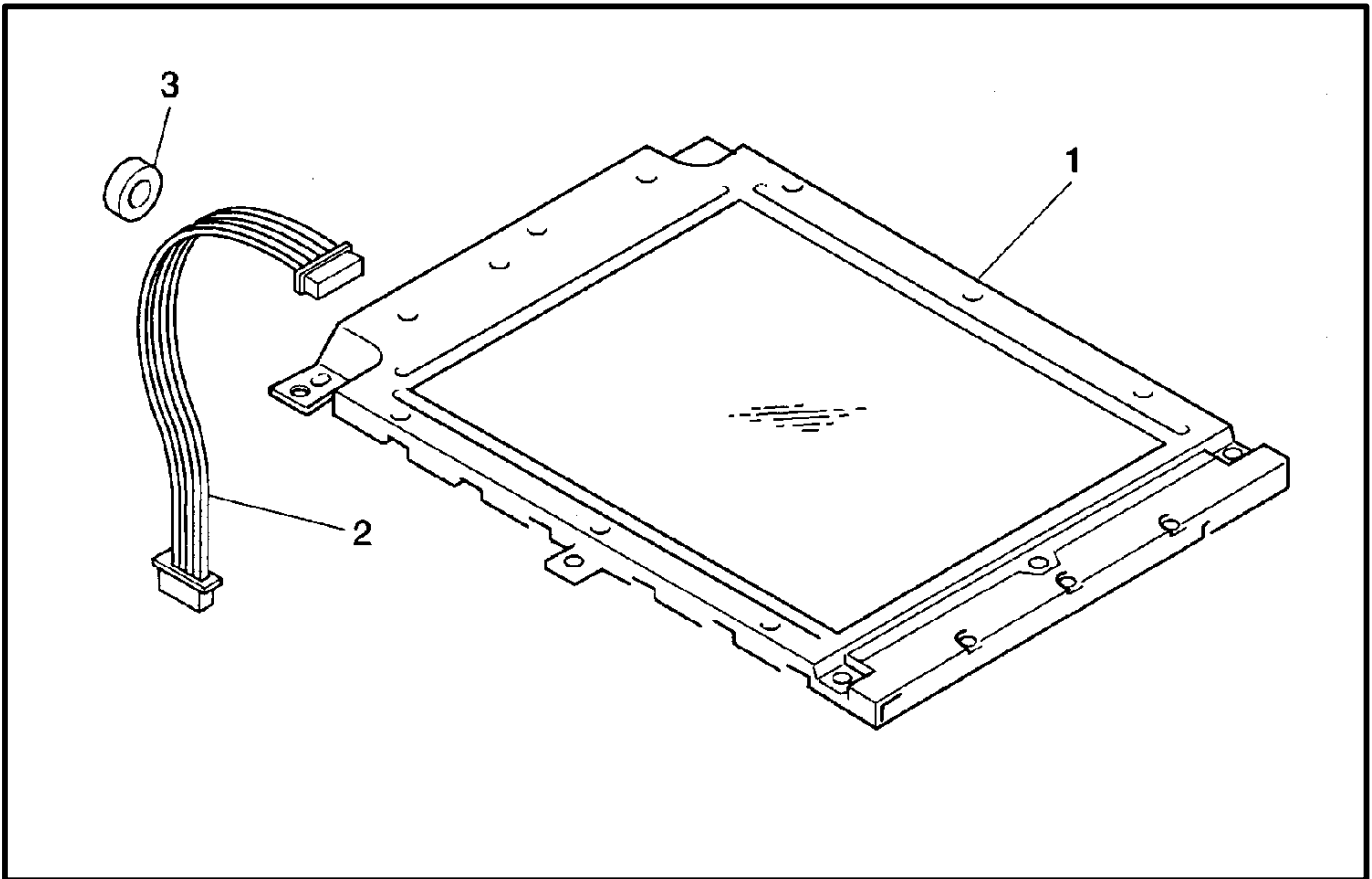


3 . COVERS

REF.NO.	CODE	Q'TY	DESCRIPTION	REMARKS
1	US2974020	1	UPPER COVER ASSY, WHITE1250	
2-3	UC9504020	1	LCD UPPER COVER V M ASSY,W1250	
2	UC9505020	1	LCD UPPER COVER VGA M, W1250	
3	US2979001	1	COLOR MARK	
4	US2990001	5	GIZA TITE 2.6X6	
5	U04887001	1	TAPTITE, BIND B M2.6X8	
6	US2991001	1	LCD PLATE	
7	U05404001	2	TAPTITE, BIND B M3X8	
8	US2993020	1	LCD LATCH, WHITE1250	
9	US2994001	2	LATCH SHAFT	
10	US2995001	1	SPRING	
11	US2996020	1	LCD LOWER COVER, WHITE1250	
12	U04887001	7	TAPTITE, BIND B M2.6X8	
13	000300515	1	SCREW, BIND M3X5	
14	US2997020	2	LCD RUBBER LR, WHITE1250	
15	US2998020	2	LCD SPACER LR, WHITE1250	
16	US2999020	1	LCD SPACER M, WHITE1250	
17	US3000001	1	HINGE ASSY	
18	U22702001	2	SCREW, PAN (S/P WASHER) M3X10	
19	US3001000	1	LCD BEARING	
20	U05404001	2	TAPTITE, BIND B M3X8	
21	UC9506020	1	BOTTOM COVER VGA MAIL, W1250	
22	UA5284020	1	HANDLE, WHITE1250	
23	U41192001	2	FELT FOOT	
24	US3006020	1	PAPER TRAY, WHITE1250	
25	US3007020	1	VOLUME HOLDER, WHITE1250	
26	U06923001	1	TAPTITE, BIND B M3X10	
27	085311415	2	TAPTITE, BIND B M3X14	
28	US3008020	1	TOP COVER, WHITE1250	
29	US3009020	1	PAPER SUPPORTER, WHITE1250	
30	US3010020	1	SUB PAPER SUPPORTER, WHITE1250	
31	UC9568001	1	DEMO LABEL, DP-540CJMAIL (NON STN)	
32	UC9510001	1	RATING LABEL, DP-540CJMAIL	
33	US3332001	1	SMALL STICKER	
34	UC9571001	1	POP DISPLAY, DP-540CJMAIL (NON STN)	
35	UC9544001	1	ISC LABEL,AXIS-MAIL	

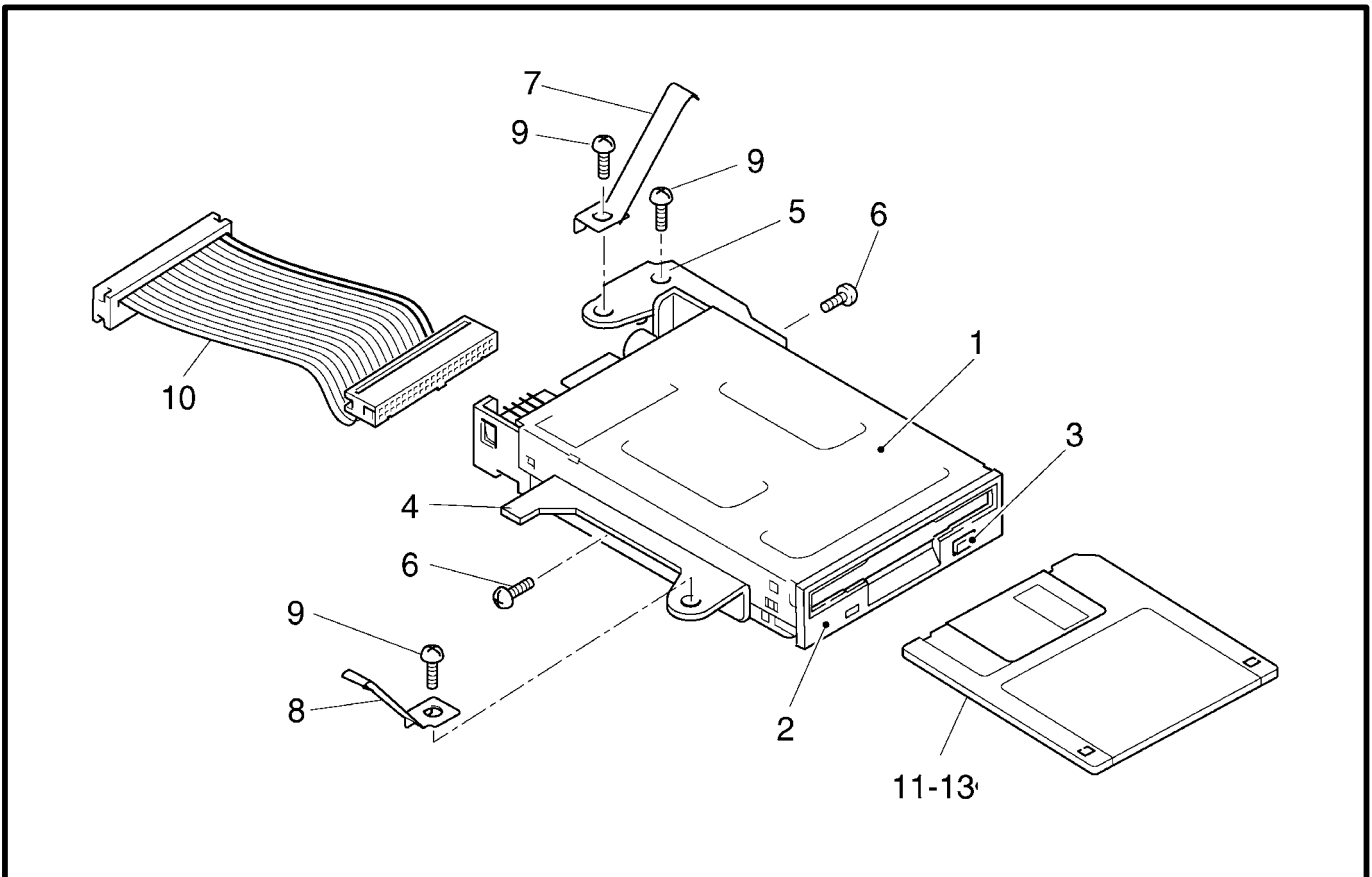
MODEL DP-540CJmail 53T-433-061

4 . LCD



MODEL DP-540CJmail 53T-433-108

5 . FLOPPY DISK DRIVE



MODEL DP-540CJmail 53T-433-302

4 . LCD

REF.NO.	CODE	Q'TY	DESCRIPTION	REMARKS
1	US4223001	1	LCD:640X400A DP-540 (SP)	
2	US3129001	1	LCD HARNESS ASSY AXIS3	
3	UL8212000	1	FERRITE CORE:19X10X10	

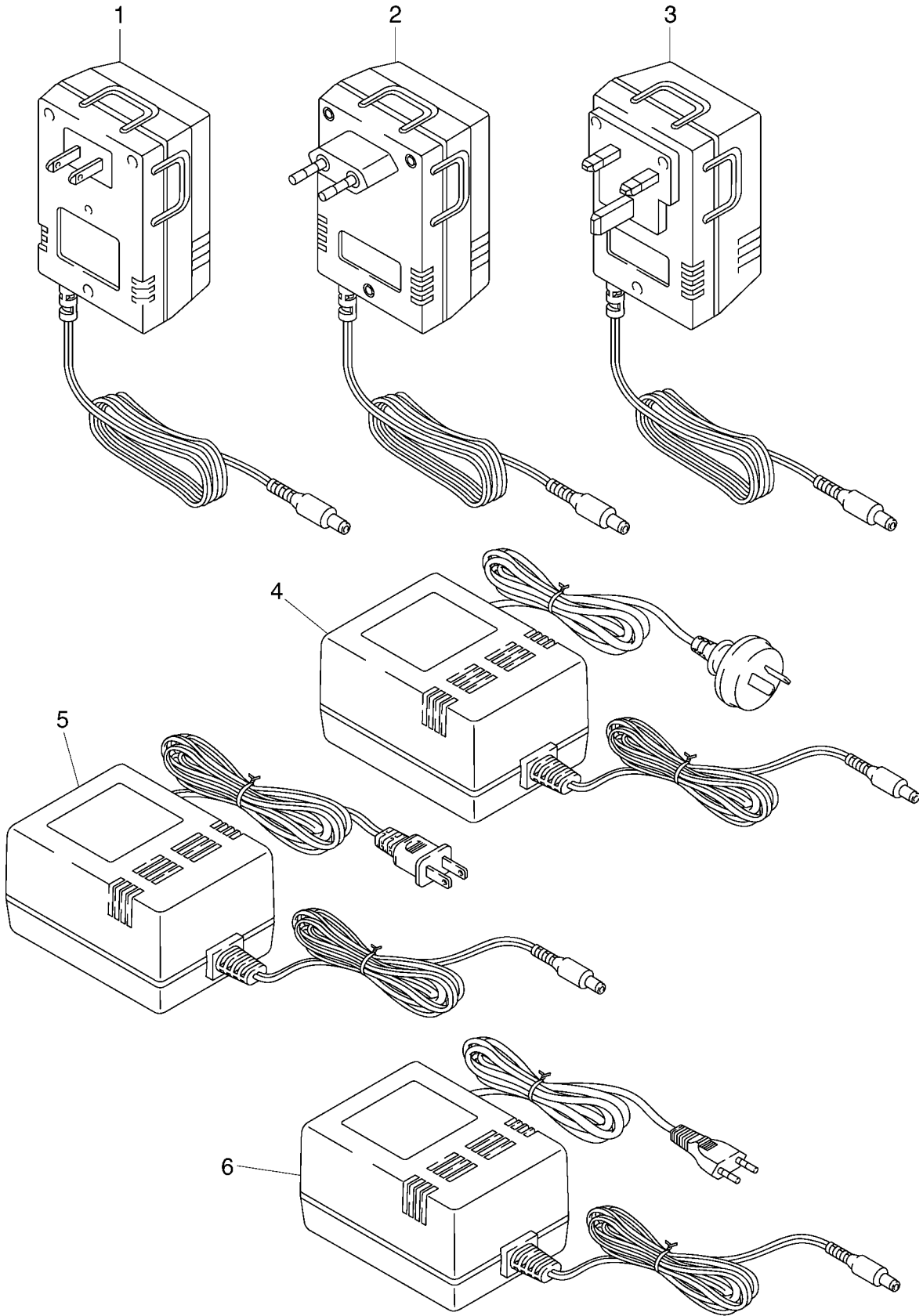
MODEL DP-540CJmail 53T-433-108

5 . FLOPPY DISK UNIT

REF.NO.	CODE	Q'TY	DESCRIPTION	REMARKS
1-3	US3604020	1	FDD MI2HD T7STD N, W1250 (SP)	
1	US3194020	1	FDD BODY MI2HD T7STD, WHT1250	
2	US3195020	1	FRONT BEZEL MIT7, WHITE1250	
3	US3196020	1	EJECT BUTTON MIT7, WHITE1250	
4	US3024000	1	PLATE AL	
5	US3025000	1	PLATE AR	
6	000300515	3	SCREW, BIND M3X5	
7	US3026000	1	GROUND PLATE PR	
8	US3023000	1	GROUND PLATE KB	
9	U06923001	3	TAPTITE, BIND B M3X10	
10	UC8236001	1	FDD HARNESS ASSY	
11	UC9558001	1	FD ASSY M-3 (540/550)	
12	US3034001	1	FD ASSY 005 (530/540/550/5040)	
13	US3030001	1	FD ASSY 006 (525/530/540/550/5040)	

MODEL DP-540CJmail 53T-433-302

6 . AC ADAPTERS



MODEL DP-540CJmail 53T-433-101

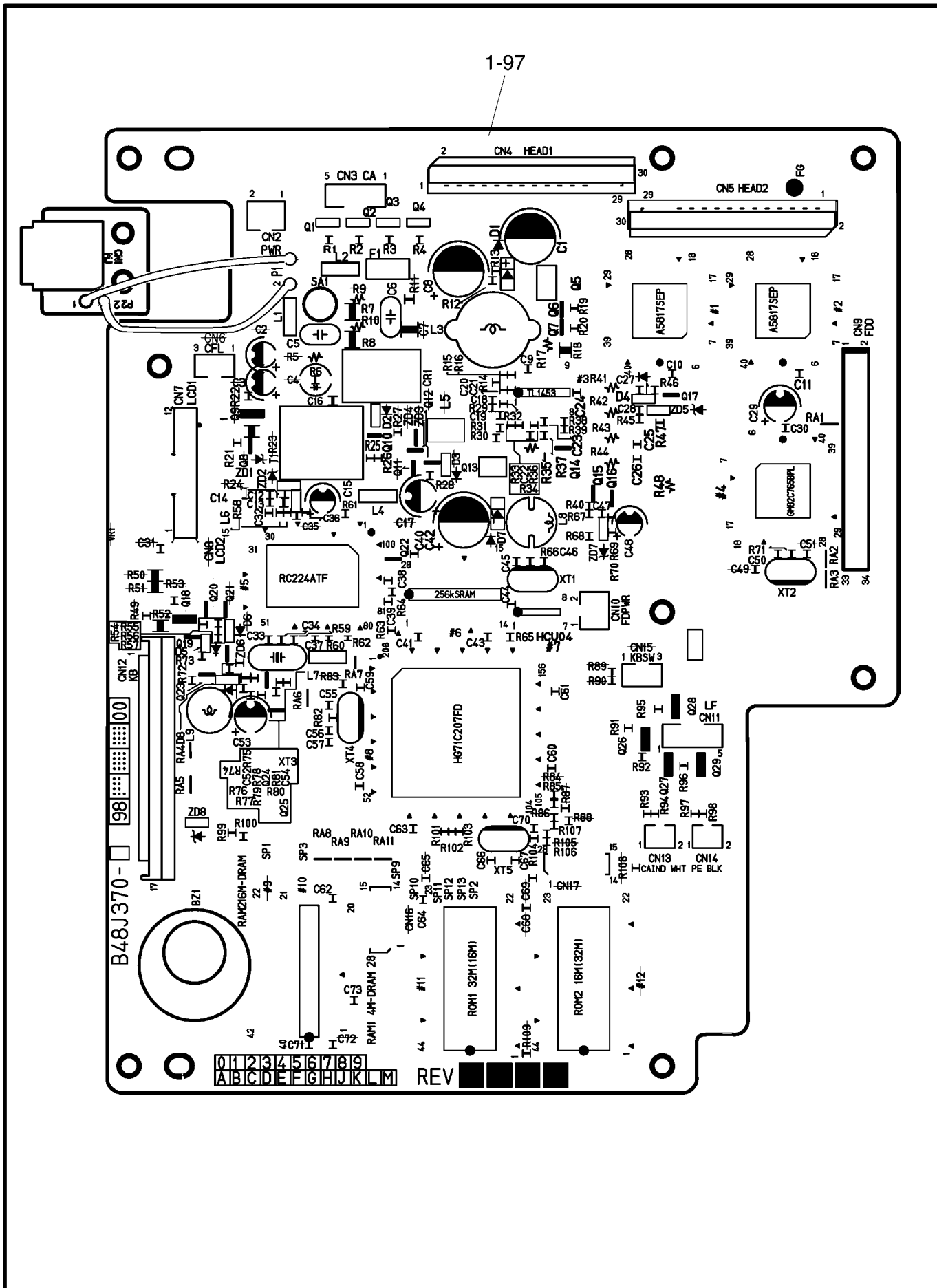
6 . AC ADAPTERS

REF.NO.	CODE	Q'TY	DESCRIPTION	REMARKS
1	US3593001	1	AC ADAPTOR ASSY AXIS-120 (SP)	
2	US3594001	1	AC ADAPTOR ASSY AXIS-230 (SP)	
3	US3595001	1	AC ADAPTOR ASSY AXIS-UK (SP)	
4	US3610001	1	AC ADAPTER ASSY AXIS-SAA(SP)	
5	US3611001	1	AC ADAPTER ASSY AXIS-MEX(SP)	
6	US3681001	1	AC ADAPTER ASSY AXIS-230S(SP)	

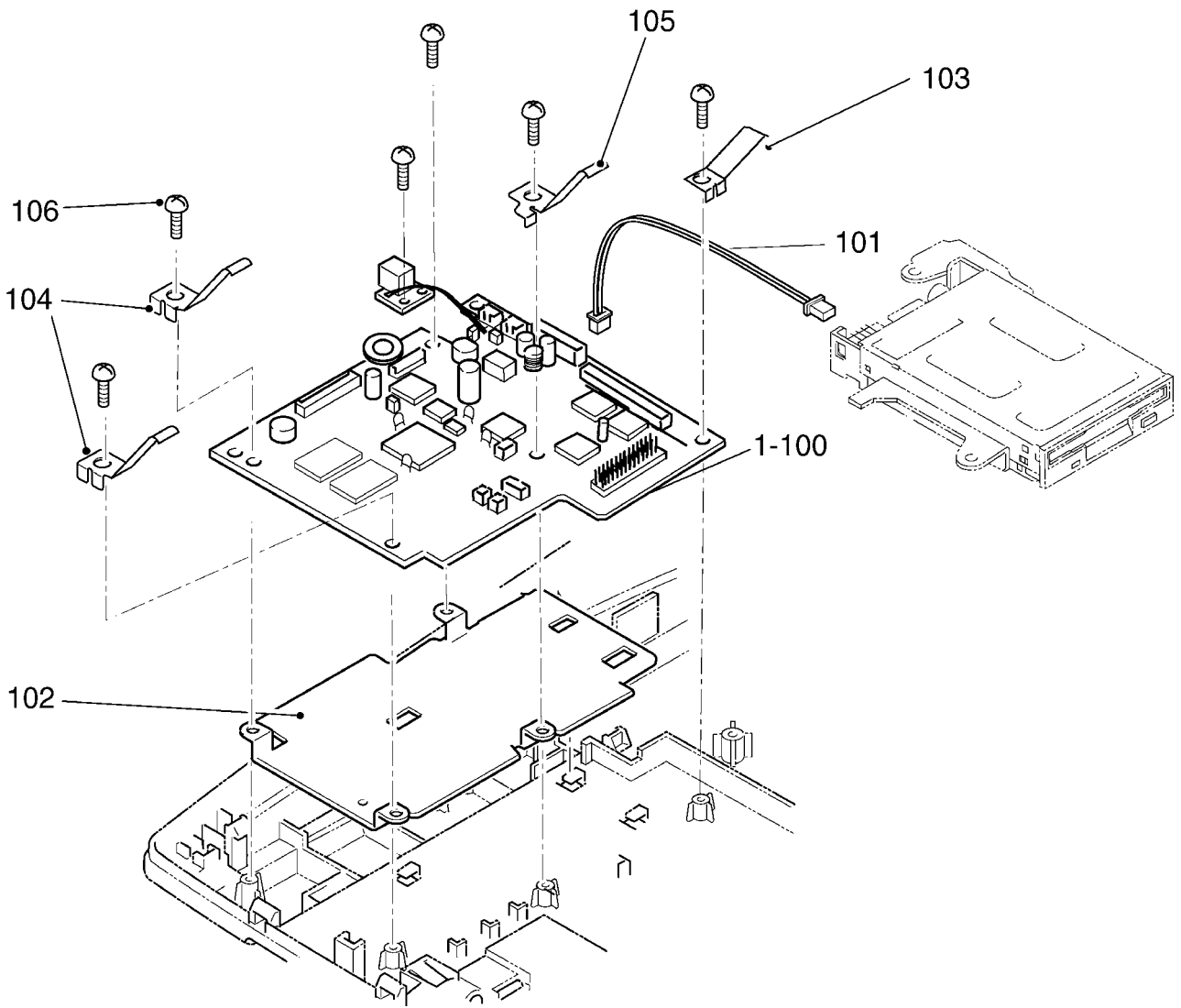
MODEL DP-540CJmai 53T-433-101

7. MAIN PCB

1-97



7 . MAIN PCB



7 . MAIN PCB

TW99005

REF.NO.	SYMBOL	CODE	QTY	DESCRIPTION	REMARKS
1-100	B48J370	UC9523001	1	PCB B48J370 ASSY VGA M (SP)	CHNG#A
1	#8	UC9201000	1	MPU:HG71C207FD	
2	#11	UC9561085	1	MASK ROM 32M-12 DP540MAIL-2	
3	#10	US3096085	1	DRAM:NN514260-60	
4	#6	US3097085	1	SRAM:N341256SJ	
5	#4	UC9033085	1	LSI:GM82C765B	
6	#5	UC8251000	1	MODEM:RC224ATF	
7	#3	US3098085	1	IC:TL1453CNSLE	
8	#1,2	UC9543085	2	IC:A6817SEP	
9	#7	US3410085	1	IC:SN74HCU04 SOL	
10	Q7,10,14	US3099085	3	TR:2SA1036K	
11	Q13	UC8307085	1	TRANSISTOR, :2SA1952TL-Q	
12	Q6	US3100085	1	TR:2SC2411K	
13	Q11,12,15,16,17, 20,21,24,25	US0608085	9	TR:2SC2412KLNRS-T146	
14	Q5	US3101085	1	TR:2SC4668	
15	Q18	US3123085	1	TR:2SC5053	
16	Q1,2,3,4,26,27,28, 29	US2168085	8	TR:2SD2170-T101	
17	Q22	US0656085	1	TR:DTC143-ZKA-T146	
18	D2,3,4,6	US0612085	4	DIODE:RLS71-TE-11	
19	D1,7	US1553085	2	DIODE:RB160L-40-TE-25	
20	ZD1,2,7	US1546085	3	ZENER DIODE:RLZJ3.9B-TE-11	
21	ZD8	US3307085	1	ZENER DIODE:RLZ6.2B-TE-11	
22	ZD3,4	US3124085	2	ZENER DIODE:HZM15NB2	
23	ZD5	US0745085	1	ZENER DIODE:RLZ18C-TE-11	
24	XT5	US3103085	1	CERAMIC OSCILLATOR CSA14.74MX	
25	XT2	UC9584085	1	CERAMIC OSCILLATOR, 16.00MHZ	CHNG#A
26	XT1	UB5030085	1	CERAMIC OSCILLATOR:CSA18.0MX	
27	XT4	UJ0735085	1	CERAMIC OSCILLATOR:CSA20MXZ04	
28	BZ1	US3467085	1	BUZZER:CD11PA-XZ	
29	R12,36	094112005	2	FIXED RESISTOR, G-C116F1101	
30	R33	094332005	1	FIXED RESISTOR, G-C116F332	
31	R13	094203005	1	FIXED RESISTOR, G-C116F203	
32	R15,16,34,37	094333005	4	FIXED RESISTOR, G-C116F333	
33	R41,42,43,44	Y02209509	4	FIXED RESISTOR, G-B1G220-1	
34	R17,35	Y01500519	2	FIXED RESISTOR, G-B1J151	
35	R48	090222327	1	FIXED RESISTOR, D-B12Y222	
36	R51	094471225	1	FIXED RESISTOR, G-C18J471T	
37	R18	094222225	1	FIXED RESISTOR, G-C18J222T	
38	R6,85,104,105	094000025	4	FIXED RESISTOR, G-C116J000	
39	R30	094330025	1	FIXED RESISTOR, G-C116J330	
40	R65,79,101,102, 103	094101025	5	FIXED RESISTOR, G-C116J101	
41	R70,71,59	094331025	3	FIXED RESISTOR, G-C116J331	
42	R28,39,46,63,68, 93,97,100	094102025	8	FIXED RESISTOR, G-C116J102	
43	R69	094122025	1	FIXED RESISTOR, G-C116J122	
44	R1,2,3,4,21,40,47, b55,67,77,91,92, 95,96	094222025	14	FIXED RESISTOR, G-C116J222	
45	R25,27,38,45,56, 80,86,94,98,99	094103025	10	FIXED RESISTOR, G-C116J103	
46	R31	094153025	1	FIXED RESISTOR, G-C116J153	
47	R19,20,53,54	094333025	4	FIXED RESISTOR, G-C116J333	
48	R49	094273025	1	FIXED RESISTOR, G-C116J273	
49	R32,78	094473025	2	FIXED RESISTOR, G-C116J473	
50	R14	094124025	1	FIXED RESISTOR, G-C116J124	
51	R29	094564025	1	FIXED RESISTOR, G-C116J564	
52	R66,82	094105025	2	FIXED RESISTOR, G-C116J105	
53	RA8,9,10,11	YA1014055	4	RESISTOR ARRAY, 101X4C	
54	RA6,7	YA2214055	2	RESISTOR ARRAY, C221X4C	
55	RA1,2,3	YA2224055	3	RESISTOR ARRAY, 222X4C	
56	RA4,5	YA1044055	2	RESISTOR ARRAY, 104X4C	
57	VR1	UC2521007	1	VOLUME ASSY 5K	

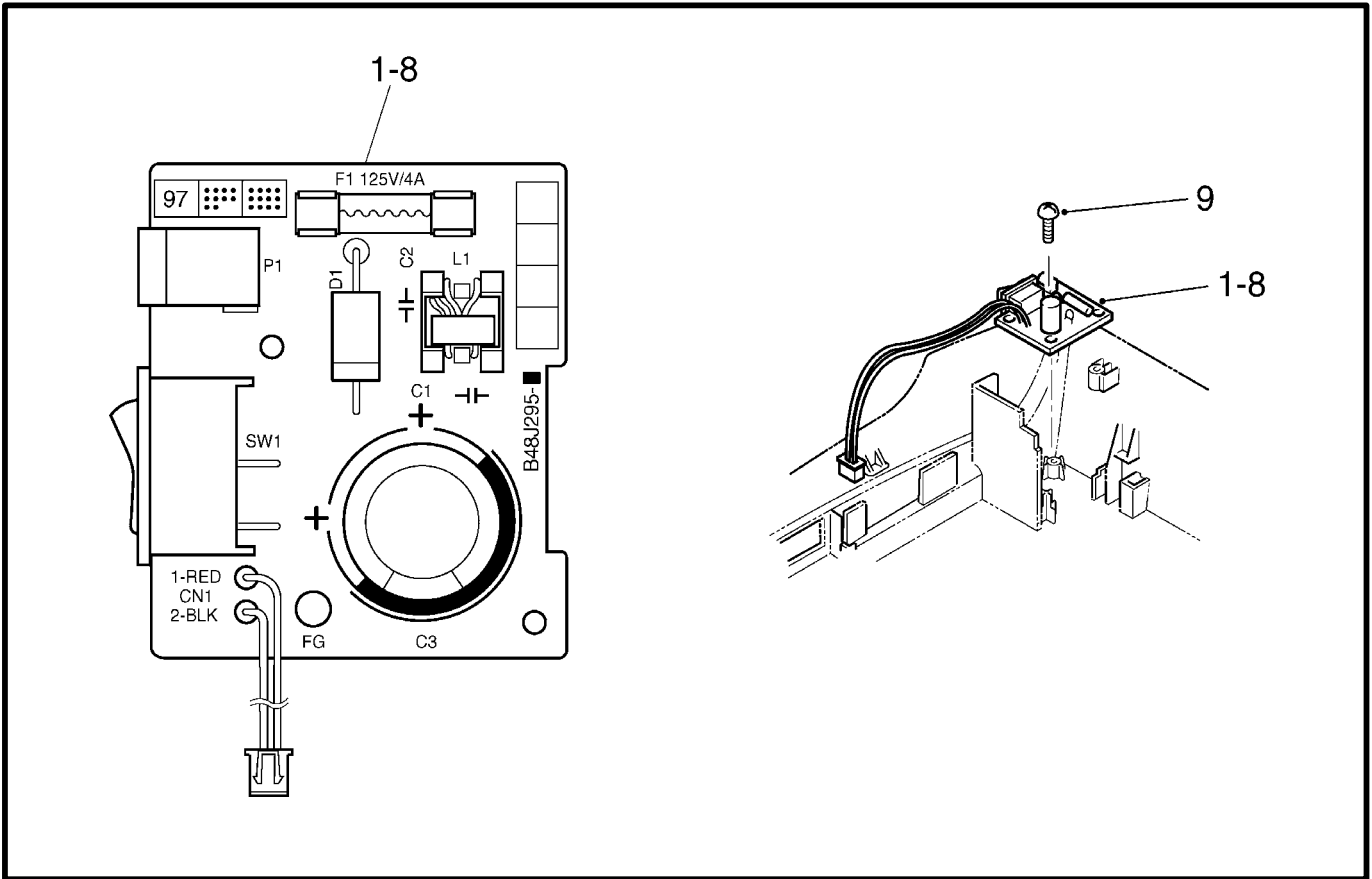
MODEL DP-540CJmail 53T-433-102

7 . MAIN PCB

REF.NO.	SYMBOL	CODE	QTY	DESCRIPTION	REMARKS
58	C9,10,11,18,22,24, 30,32,36,37,38,40, 41,43,44,57,58,59, 60,61,62,63, 64,70, 73	Y81042407	25	CAPACITOR, CERAMIC 25C104F	
59	C13,20,39	Y81030017	3	CAPACITOR, CERAMIC 50C103CH	
60	C12,25,26,27,28, 47,54	Y81020017	7	CAPACITOR, CERAMIC 50C102B	
61	C19,21,23	Y74712117	3	CAPACITOR, CERAMIC 50C471CH	
62	C45,46,66,67	Y73002117	4	CAPACITOR, CERAMIC 50C300CH	
63	C55,56	Y71004117	2	CAPACITOR, CERAMIC 50C100CH	
64	C42	Y41021091	1	CAPACITOR, ALUM-ELEC 10B102	
65	C15,48	Y42202097	2	CAPACITOR, ALUM-ELEC 16B220	
66	C8	Y43313097	1	CAPACITOR, ALUM-ELEC 25B331	
67	C29	US3422085	1	CAPACITOR,ALUMI-ELEC 35B470KMF	
68	C1	US3421000	1	CAPACITOR,ALUMI-ELEC 35B471KMF	
69	C17	Y44705097	1	CAPACITOR, ALUM-ELEC 50B470	
70	L1,2,4,7	UG3128000	4	COIL:DL-6503C	
71	L5	US3125085	1	COIL:CDH74-471	
72	L3	US3104000	1	COIL:MCDR1511-151K	
73	L8	UC2514000	1	COIL:RCH-110-150	
74	CN9	US0206000	1	CONNECTOR, 34PIN	
75	CN4,5	US3309000	2	CONNECTOR:3-84387-0	
76	CN12	UA3044000	1	CONNECTOR:5229-17CPB	
77	CN8	US3126085	1	CONNECTOR:DF13C-15P-1.25V	
78	CN1	UG3020000	1	MODULAR,6-2P	
79	CN13,14	U17118000	2	CONNECTOR:B2B-PH	
80	CN3,11	U17535000	2	CONNECTOR:B5B-PH	
81	CN2,10	U04254000	2	CONNECTOR:B2B-XH-A	
82	XT3	UC9553085	1	CRYSTAL OSCILLATOR, 16MHZ	
83	R58	094511005	1	FIXED RESISTOR, G-C116F511	
84	R7,8	094180325	2	FIXED RESISTOR, G-C14J180	
85	R61	094100025	1	FIXED RESISTOR, G-C116J100	
86	R64	094471025	1	FIXED RESISTOR, G-C116J471	
87	R26,60,62,75,81	094472025	5	FIXED RESISTOR, G-C116J472	
88	R76	094154025	1	FIXED RESISTOR, G-C116J154	
89	C52	Y81040005	1	CAPACITOR, CERAMIC 25C104B	
90	C16	Y84730015	1	CAPACITOR, CERAMIC 50C473BK	
91	C14	Y82230015	1	CAPACITOR, CERAMIC 50C223B	
92	C33	Y73902117	1	CAPACITOR, CERAMIC 50C390CH	
93	C5,6	UC8265085	2	CAPACITOR, CERAMIC 500B152B	
94	C34	Y74702117	1	CAPACITOR, CERAMIC 50C470CH	
95	CR1	US2391000	1	RELAY:OUAZ-SS-105L	
96	L6	US2766085	1	FERRITE BEAD:BLM11B601SPT	
97	T1	UG4080000	1	TRANSFORMER:BT-7	
98	SA1	UG0074000	1	SURGE ABSORBER:RA351	
99	F1	US2837085	1	FUSE:19396-035-E1, 0.25A/125V	
100	P1,2	UC9534001	2	MODULAR HARNESS	
101		US3466001	1	FDD POWER HARNESS ASSY AXIS	
102		US3021000	1	SHIELD PLATE	
103		UC9542000	1	GROUND PLATE PR2	
104		US3023000	2	GROUND PLATE KB	
105		US3414000	1	GROUND PLATE KB2	
106		U06923001	6	TAPTITE, BIND B M3X10	

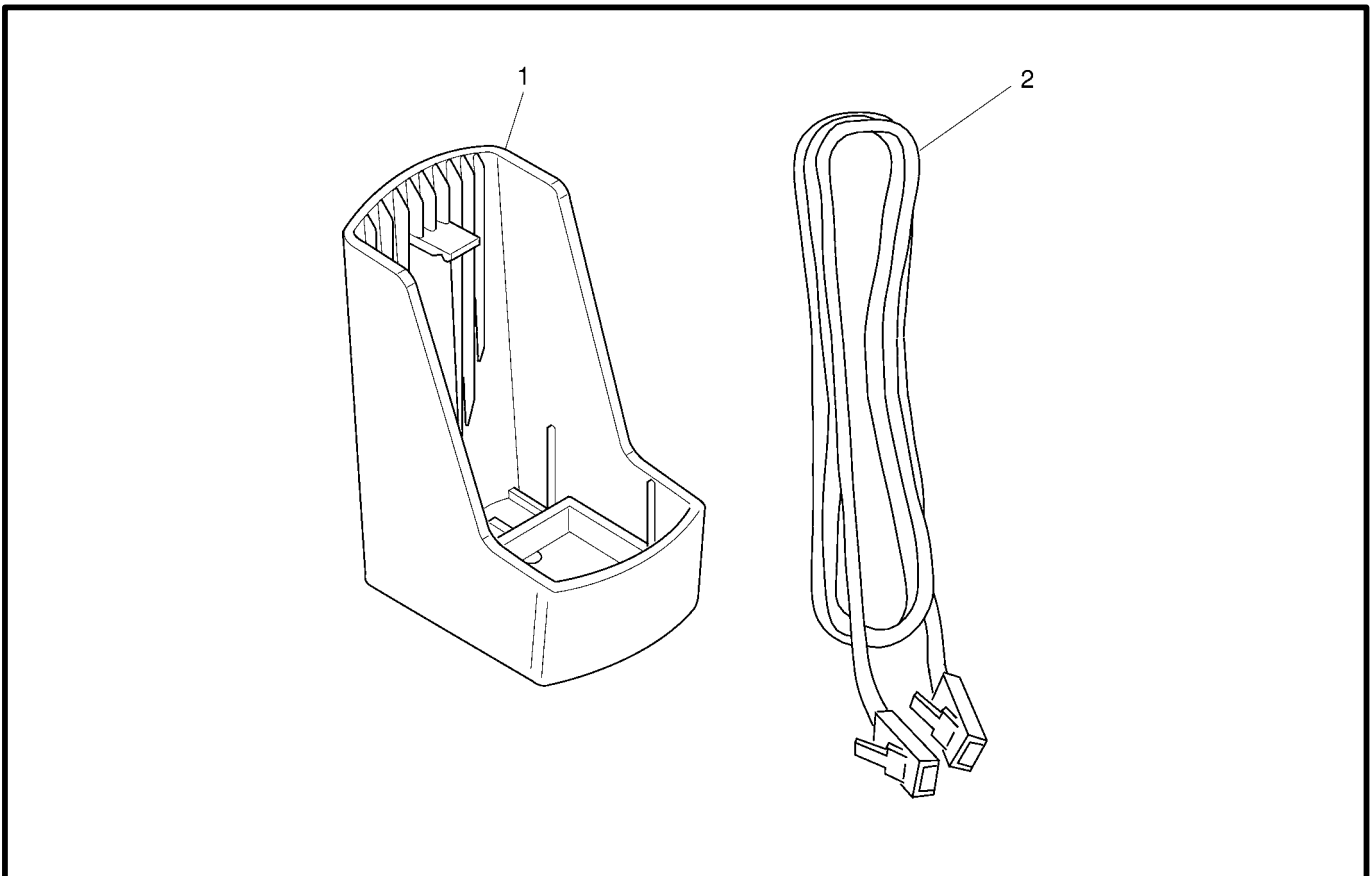
MODEL DP-540CJmail 53T-433-102

8 . POWER SUPPLY PCB



MODEL DP-540CJmail 53T-431-104

9 . ATTACHMENTS



MODEL DP-540CJmail 53T-433-910

8 . POWER SUPPLY PCB

REF.NO.	SYMBOL	CODE	Q'TY	DESCRIPTION	REMARKS
1-8	B48J295	US3596001	1	SWITCH PCB ASSY AXIS (SP)	
1	D1	US0782000	1	DIODE, 1N5400	
2	C3	Y42223092	1	CAPACITOR, ALUM-ELEC 25B222	
3	SW1	U17200000	1	POWER SWITCH:WK-837	
4	P1	W00325001	1	JACK:HEC0470	
5	F1	US3413000	1	GLASS FUSE, 4A-235	
6	F1	US0589000	2	FUSE CLIP:HTC-200M	
7	CN1	US3108001	1	POWER HARNESS ASSY AXIS	
8	L1	UC7738000	1	COIL:BM1012LF	
9		U06923001	1	TAPTITE, BIND B M3X10	

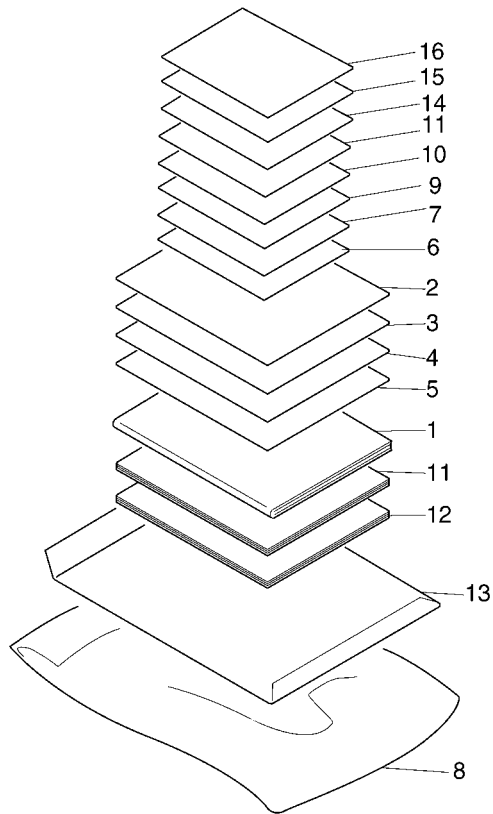
MODEL DP-540CJmail 53T-433-104

9 . ATTACHMENTS

REF.NO.	CODE	Q'TY	DESCRIPTION	REMARKS
1	US3056020	1	CARTRIDGE CASE ASSY, WHITE1250	
2	UG1570001	1	TELEPHONE LINE CORD US ASSY	

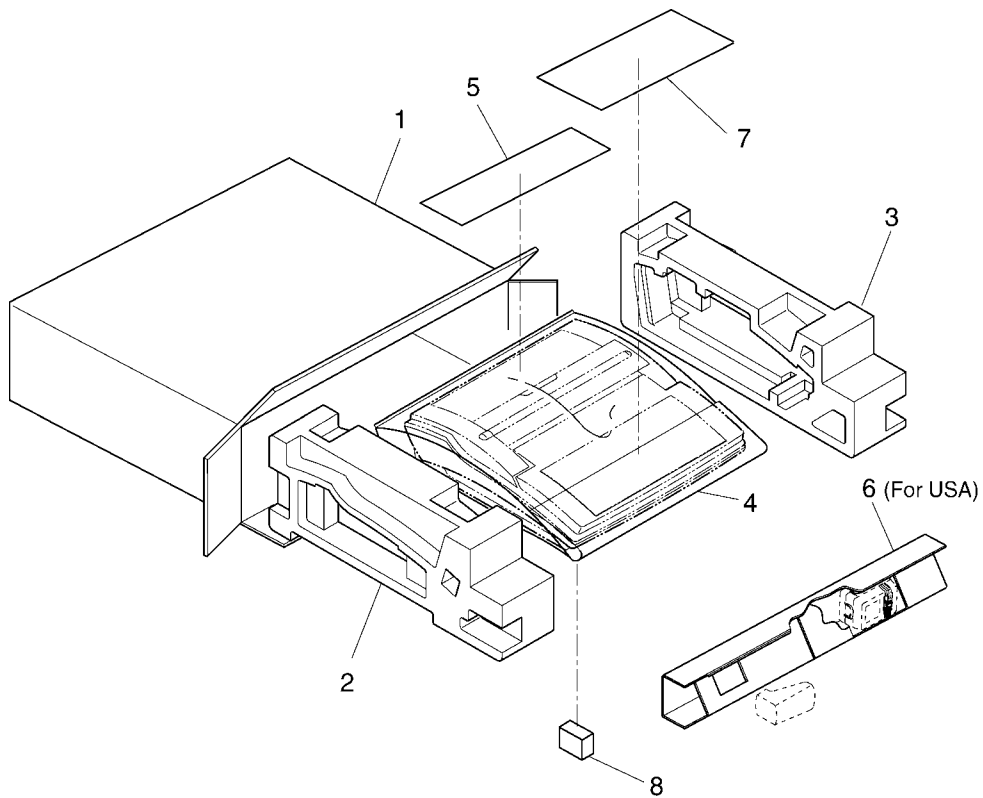
MODEL DP-540CJmail 53T-433-910

10 . PRINTED MATERIALS



MODEL DP-540CJmail 53T-433-920

11 . PACKING MATERIALS



MODEL DP-540CJmail 53T-433-930

10 . PRINTED MATTERS

REF.NO.	CODE	Q'TY	DESCRIPTION	REMARKS
1	UC9562001	1	USER'S MANUAL	
2	UC9545001	1	ACCESSORY ORDER FORM	
3	UC9546001	1	WARRANTY CARD, ENGLISH	
4	US3471001	1	AUTHORIZED SERVICE DEPOTS	
5	UC9581001	1	WARRANTY INFORMATION FOR MAIL	
6	UC9547001	1	AXIS-MAIL BOX TOPPER-LCD	
7	US3398001	1	CAUTION SHEET	
8	US0739001	1	PERFORATED BAG	
8	UA7282001	1	PERFORATED BAG	
8	US1727001	1	PERFORATED BAG, EC 230X310	
8	US1728001	1	PERFORATED BAG, EC 320X420	
9	UC9572001	1	POP LAMINATED, DP-540CJMAIL	
10	UC9274001	1	COM INFORM CARD	
11	US3301001	2	IRON PAPER	
12	UC9548001	1	IRON P INSTRUCTION	
13	UC9702001	1	ENVELOPE 2	
14	UC9549001	1	TP-8 ACCESSORY SALES SHEET	
15	UC9550001	1	SMALL STICHER FOR DISPLAY	
16	UC9714001	1	GENIE BROCHURE	

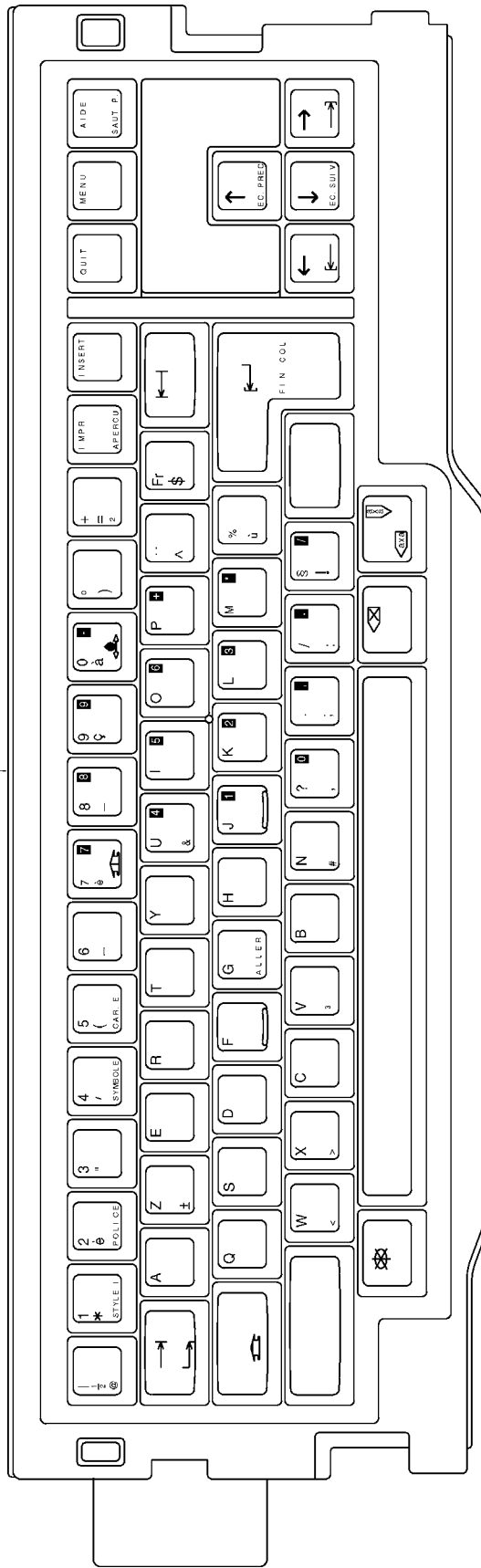
MODEL DP-540CJmail 53T-433-920

11 . PACKING MATERIALS

REF.NO.	CODE	Q'TY	DESCRIPTION	REMARKS
1	US3070021	1	CARTON NO BRAND	
1	UC9569022	1	CARTON ASSY, DP-540CJMAIL	
2	US3081000	1	STYROFOAM PAD L	
3	US3082000	1	STYROFOAM PAD R	
4	UA7283001	1	PERFORATED BAG	
4	US1726001	1	PERFORATED BAG, EC 660X800	
5	US3584000	1	PAPER SUPPORTER PAD	
6	US3084001	1	TUBE HOLDER	
7	US3822001	1	KEYBOARD PAD 2	
8	US3586001	1	PAPER TRAY PAD	
9	US3814000	1	CARRIAGE PAD	

MODEL DP-540CJmail 53T-433-930

12 . KEYBOARD UNIT



12 . KB UNIT

REF.NO.	CODE	Q'TY	DESCRIPTION	REMARKS
1	US3020020	1	KB ASSY 02	

MODEL DP540CJmail 53T-433-402

brother® |

June, '98
5V2060BE0
Printed in Japan