



# LASER PRINTER

PARTS REFERENCE LIST



**HL-10PS**  
**HL-10V**

---



# **LASER PRINTER**

## **PARTS REFERENCE LIST**

Section I . Parts List for HL-10PS

Section II . Parts List for HL-10V

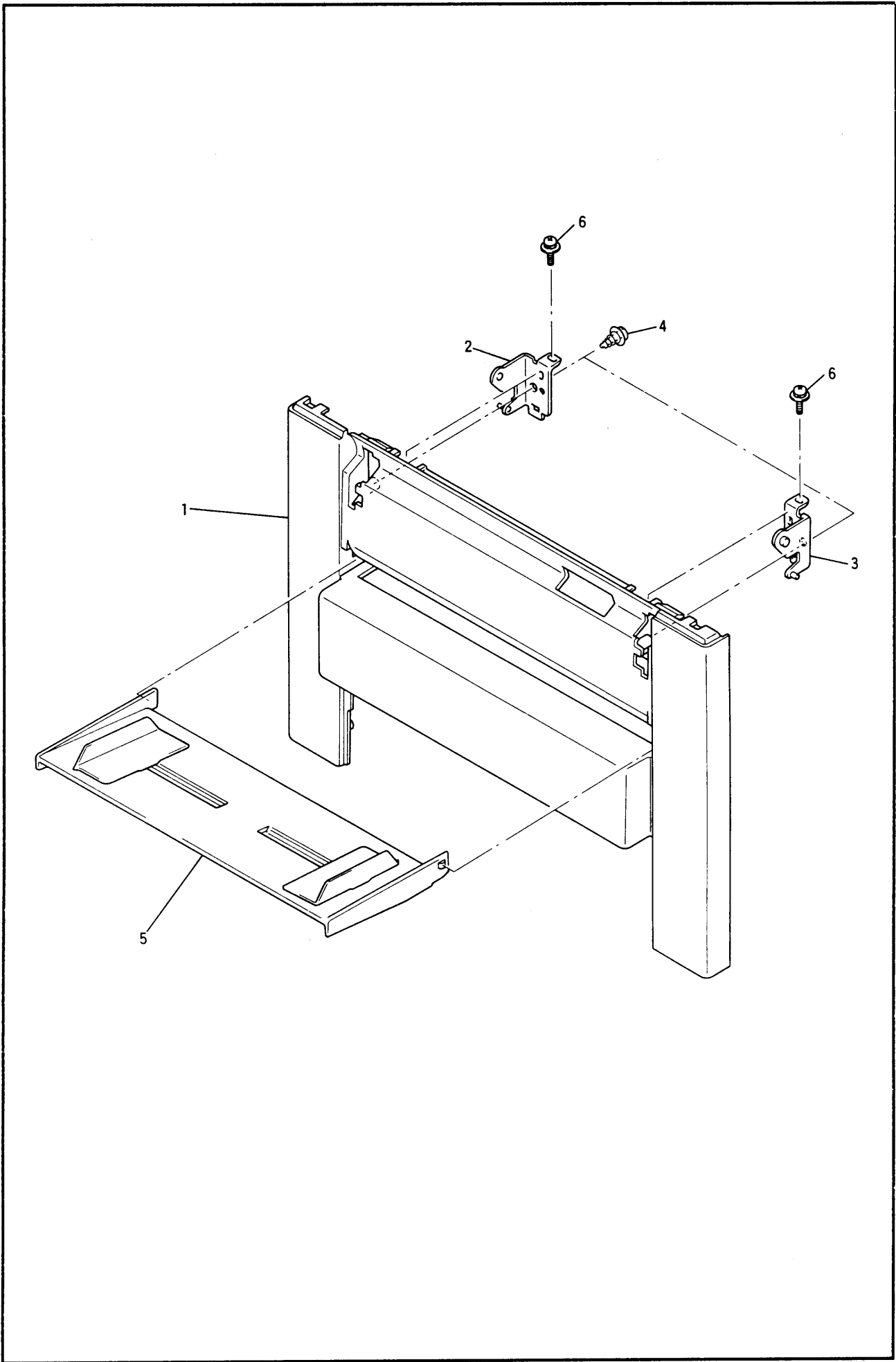
**Section I. Parts List for HL-10PS**



# CONTENTS

1. FRONT COVER .....	1
2. UPPER COVER .....	3
3. SIDE COVER .....	5
4. REAR COVER .....	7
5. CHASSIS .....	9
6. TRANSFER UNIT .....	11
7. FEEDER GUIDE UNIT .....	13
8. FEEDER UNIT .....	15
9. SINGLE CASSETTE .....	17
10. SCANNER UNIT .....	19
11. FIXING UNIT .....	19
12. CONTROL PANEL .....	21
13. ENGIN CONTROL PCB .....	23
14. VIDEO CONTROL PCB .....	25
15. INTERFACE PCB PS-#1 .....	27
16. INTERFACE PCB PS-#2 .....	29
17. HIGH VOLTAGE POWER SUPPLY .....	31
18. LOW VOLTAGE POWER SUPPLY .....	33
19. RELAY PCB .....	33
20. HARNESSES .....	35
21. POWER CORDS .....	35
22. EP-S CARTRIDGE .....	37
23. DOCUMENTS .....	37
24. PACKING MATERIALS .....	39
25. LABELS .....	39
26. FONT DISK .....	41
27. ADJUSTING TOOL KIT .....	43
INDEX .....	45

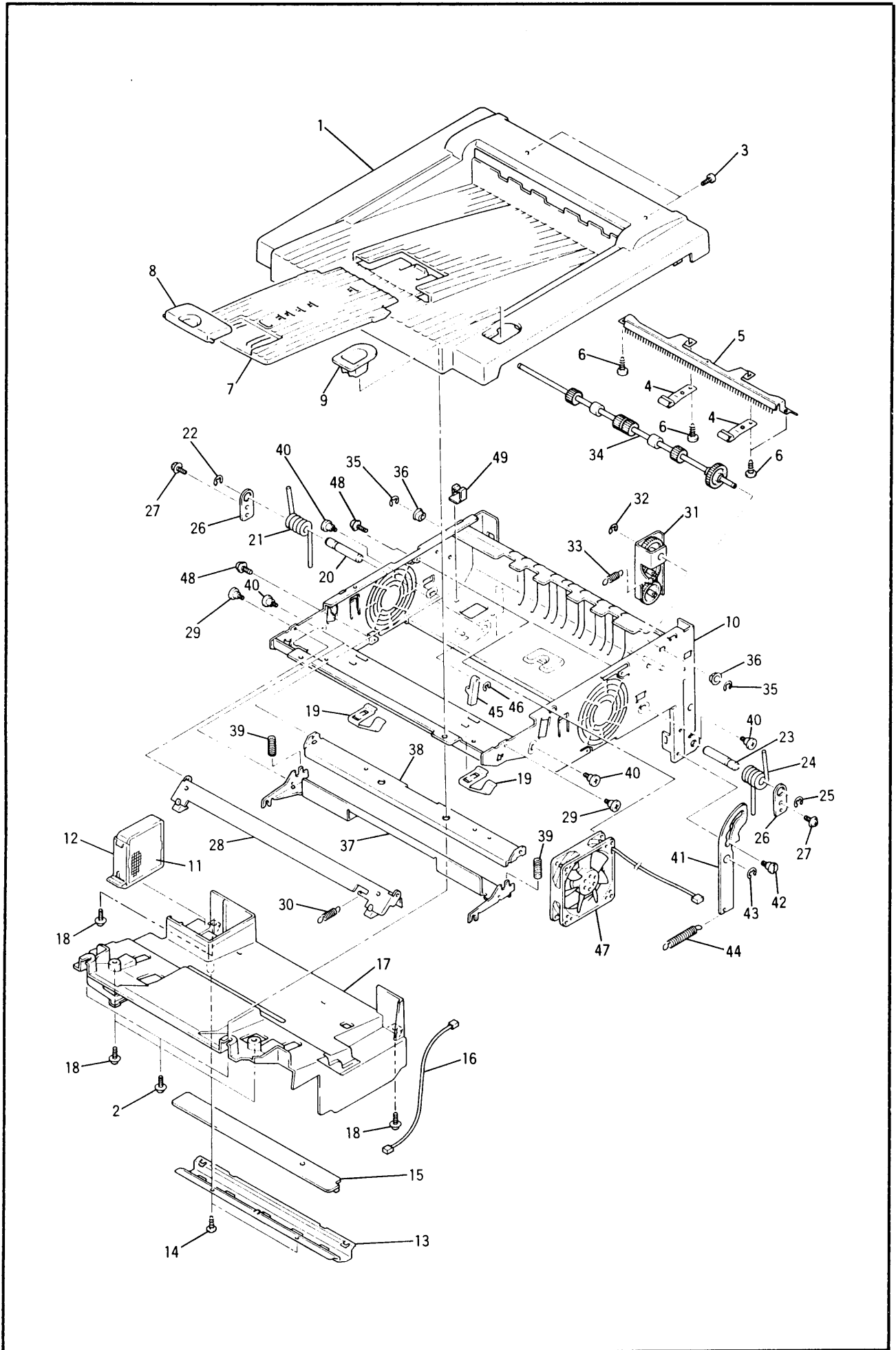
# 1. FRONT COVER



**1. FRONT COVER**

REF.NO.	SYMBOL	CODE	Q'TY	DESCRIPTION	RMKS
1		UH0326001	1	FRONT COVER, GRAY1227	
2		UH0327001	1	PANEL HOLDER SUB ASSY L	
3		UH0331001	1	PANEL HOLDER SUB ASSY R	
4		UC1822001	2	TAPTITE, CUP B M4X10	
5		UH0335001	1	MANUAL TRAY ASSY, GRAY1266	
6		571672001	2	SCREW, FLANGE M3X5	

## 2. UPPER COVER

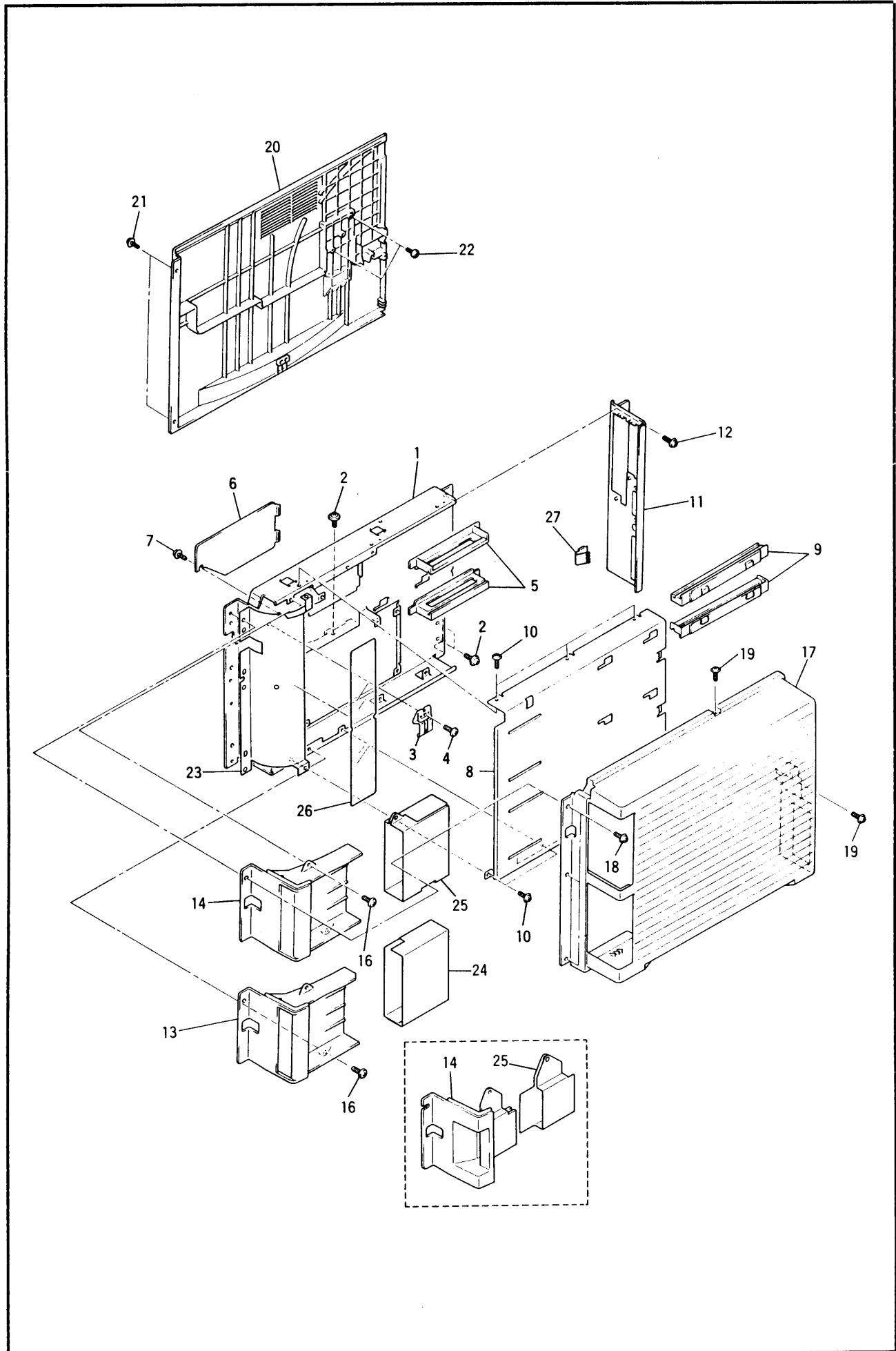




## 2. UPPER COVER

REF.NO.	SYMBOL	CODE	Q'TY	DESCRIPTION	RMKS
1		UH0344001	1	UPPER COVER, GRAY1227	
2		UC1822001	2	TAPTITE, CUP B M4X10	
3		U07620002	2	TAPTITE, BIND B M3X12	
4		UH0345001	2	PRESSURE ROLLER ASSY	
5		UH0348001	1	GROUND PLATE ASSY	
6		U05404002	4	TAPTITE, BIND B M3X8	
7		UH0351001	1	REGAL TRAY, GRAY1227	
8		UH0352001	1	PAPER STOPPER, GRAY1166	
9		UH0353001	1	COVER RELEASE BUTTON, GRAY1227	
10		UH0341001	1	UPPER CHASSIS ASSY	
11-12		UH0786001	1	OZONE FILTER ASSY, (SP)	
11		UH0369001	1	OZONE FILTER	
12		UH0388001	1	OZONE FILTER HOLDER, BLACK	
13		UH0372001	1	PRE-EXPOSURE PLATE	
14		U05404002	2	TAPTITE, BIND B M3X8	
15		UH0378001	1	PRE-EXPOSURE PCB	
16		UH0375001	1	PRE-EXPOSURE HARNESS	
17		UH0367001	1	CARTRIDGE HOLDER ASSY, GRAY1227	
18		U22701001	4	SCREW, PAN (WASHER) M3X8DB	
19		UH0363000	2	CARTRIDGE PRESSURE SPRING	
20		UH0383001	1	HINGE SHAFT L	
21		UH0384001	1	HINGE SPRING L	
22		048060346	1	RETAINING RING, E6	
23		UH0386001	1	HINGE SHAFT R	
24		UH0387001	1	HINGE SPRING R	
25		048060346	1	RETAINING RING, E6	
26		UH0385001	2	HINGE STOPPER	
27		571672001	2	SCREW, FLANGE M3X5	
28		UH0389001	1	LOCK PLATE	
29		UH0441001	2	SHOULDER SCREW	
30		UH0392001	1	SPRING, COIL	
31		UH0393001	1	DELIVERY GEAR HOLDER ASSY	
32		048040346	1	RETAINING RING, E4	
33		UH0398001	1	SPRING, COIL	
34		UH0403001	1	PAPER DELIVERY ROLLER UNIT	
35		048040346	2	RETAINING RING, E4	
36		UH0264000	2	BEARING, 05	
37		UH0407001	1	SCANNER HOLDER FRONT	
38		UH0408001	1	SCANNER HOLDER BACK	
39		UH0409001	2	SPRING, COIL	
40		U09119001	4	SHOULDER SCREW	
41		UH0410000	1	COVER TILT PLATE	
42		UH0411001	1	SHOULDER SCREW	
43		048060346	1	RETAINING RING, E6	
44		UH0412001	1	SPRING, COIL	
45		UH0436001	1	INTERLOCK SW CRANK, BLACK	
46		048060346	1	RETAINING RING, E6	
47		UH0438001	1	DC FAN MOTOR	
48		U22701001	2	SCREW, PAN (WASHER) M3X8DB	
49		552909000	2	CORD CLAMP CKN-10	
50		UA2475000	1	CABLE CLAMP MN-2	

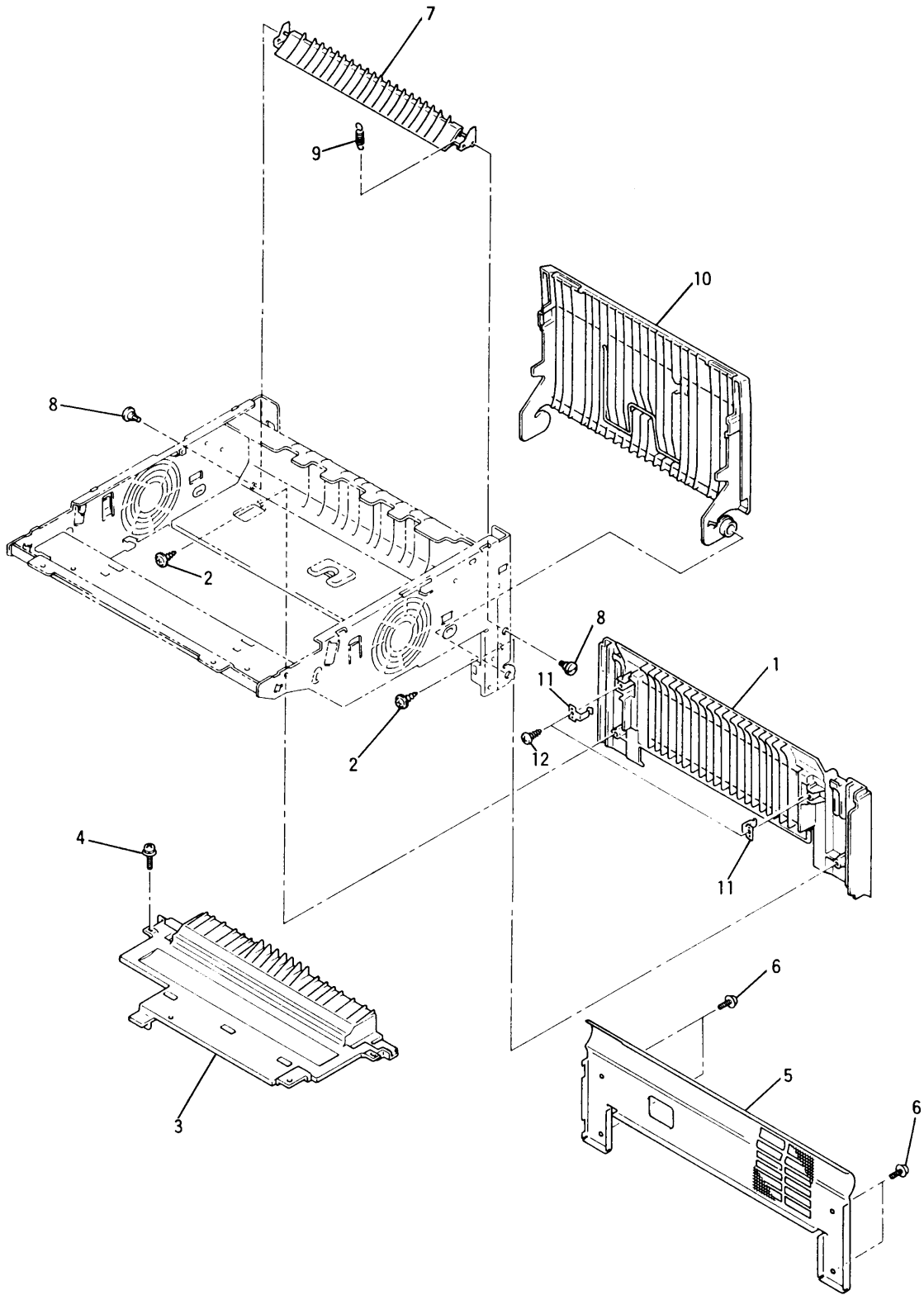
### 3. SIDE COVER



### 3. SIDE COVER

REF.NO.	SYMBOL	CODE	Q'TY	DESCRIPTION	RMKS
1		UH0414000	1	PCB HOLDER	
2		571672001	3	SCREW, FLANGE M3X5	
3		UH0415000	1	TONNER SENSE ACTUATOR	
4		571672001	1	SCREW, FLANGE M3X5	
5		UH0416000	2	MEMORY BOARD GUIDE	
6		UH0417001	1	ROM LID	
7		571672001	1	SCREW, FLANGE M3X5	
8		UH0430001	1	INSULATING PLATE	
9		UH0431001	2	I/O GUIDE	
10		571672001	5	SCREW, FLANGE M3X5	
11		UH0418001	1	I/F HOLDER PLATE ASSY	
12		U11776001	1	SCREW, FLANGE M3X3.5	
13		UH0423001	1	F-CARTRIDGE GUIDE ASSY (100V/200V)	
14		UH0423001	1	F-CARTRIDGE GUIDE ASSY (100V)	
14		UH0427001	1	IC CARD GUIDE ASSY (200V)	
16		571672001	2	SCREW, FLANGE M3X5	
17		UH0432001	1	SIDE COVER R, GRAY1227	
18		U22703001	3	SCREW, PAN (WASHER) M3X12DB	
19		571823001	2	SCREW, PAN (WASHER) M3X7DB	
20		UH0433001	1	SIDE COVER L, GRAY1227	
21		U22701001	2	SCREW, PAN (WASHER) M3X8DB	
22		UD0899001	2	TAPTITE, BIND B M3X6	
23		UH0743001	1	SHIELD SHEET FRONT	
24		UH0748001	1	SHIELD SHEET FONT B	
25		UH0745001	1	SHIELD SHEET IC CARD	
25		UH0744001	1	SHIELD SHEET FONT A	
26		UH0746001	1	INSULATING SHEET	
27		UH0747000	1	I/F GROUND PLATE	

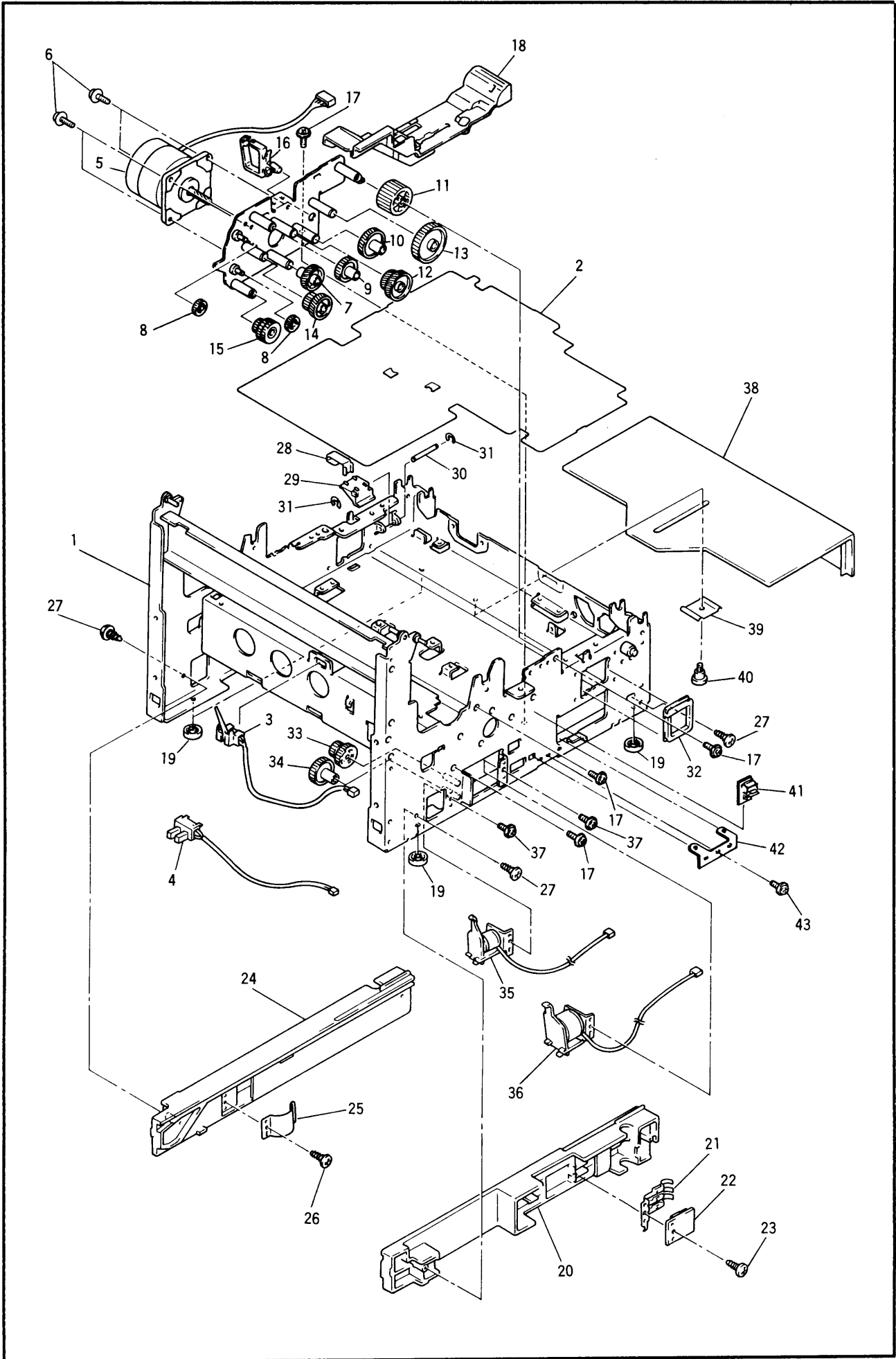
#### 4. REAR COVER



**4. REAR COVER**

REF.NO.	SYMBOL	CODE	Q'TY	DESCRIPTION	RMKS
1		UH0443001	1	REAR COVER, GRAY1227	
2		UC1822001	2	TAPTITE, CUP B M4X10	
3		UH0434001	1	HEAT INSULATING COVER, BLACK	
4		U22701001	1	SCREW, PAN (WASHER) M3X8DB	
5		UH0452001	1	POWER SUPPLY REAR COVER	
6		571672001	4	SCREW, FLANGE M3X5	
7		UH0444001	1	DEFLECTOR, BLACK	
8		UH0441001	2	SHOULDER SCREW	
9		UH0447001	1	SPRING, COIL	
10		UH0448001	1	FACE-UP TRAY, GRAY1227	
11		UH0440000	2	SPRING, PLATE	
12		U05404002	2	TAPTITE, BIND B M3X8	

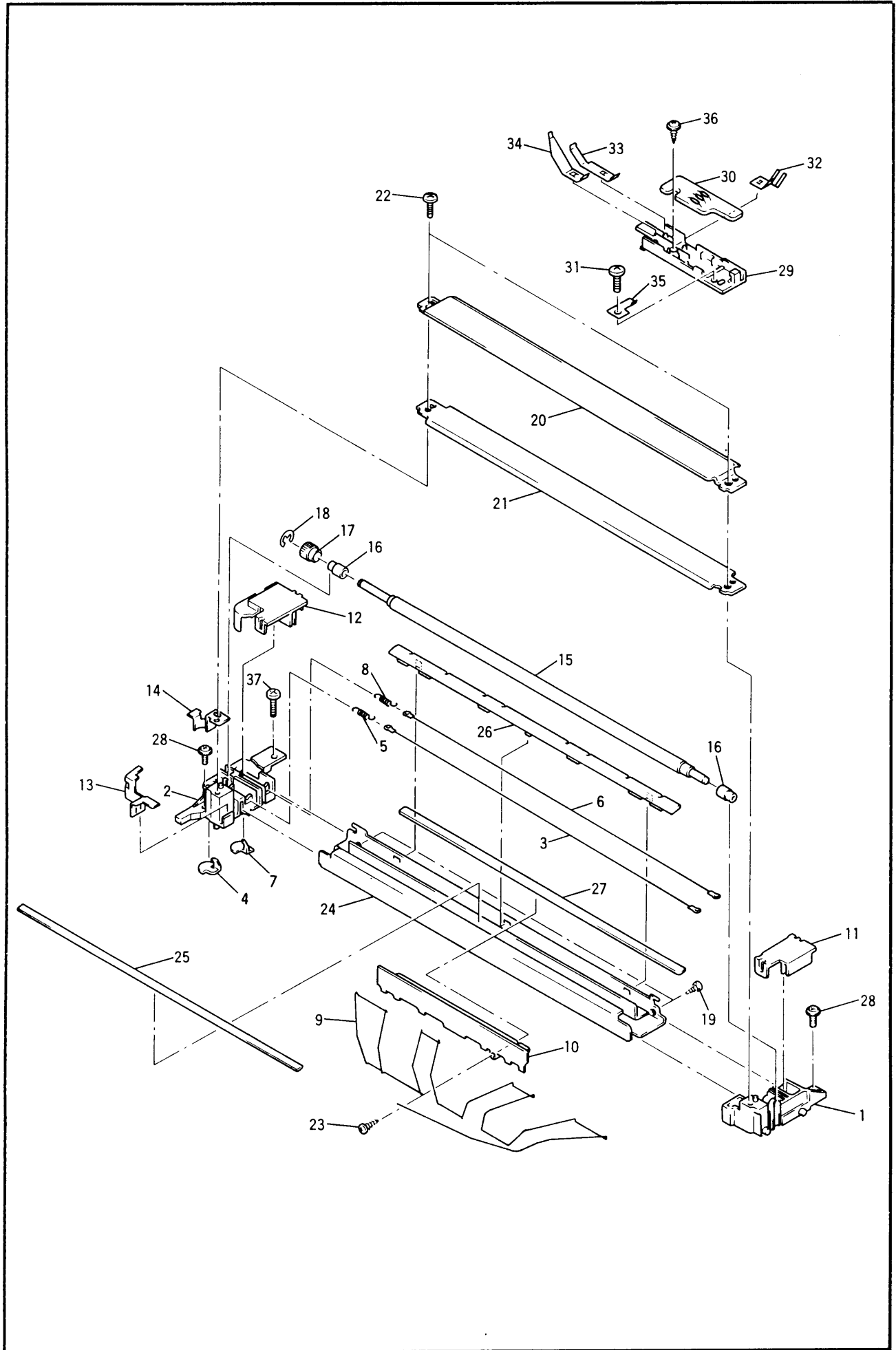
# 5. CHASSIS



### 5. CHASSIS

REF.NO.	SYMBOL	CODE	Q'TY	DESCRIPTION	RMKS
1		UH0454001	1	CHASSIS SUB ASSY	
2		UH0467000	1	INSULATOR	
3		UH0468001	1	REGIST SENSOR	
4		UH0469001	1	PAPER EMPTY SENSOR	
5-16		UH0470001	1	GEAR ASSY	
5		UH0477001	1	MAIN MOTOR	
6		U74231001	4	SCREW, CUP M3X8	
7		UH0478001	1	GEAR 51	
8		UH0479000	2	GEAR 20	
9		UH0480001	1	GEAR 26	
10		UH0481000	1	GEAR 36	
11		UH0482000	1	GEAR 36	
12		UH0483000	1	GEAR 23/69	
13		UH0484000	1	GEAR 22/44	
14		UH0485000	1	GEAR 29/58	
15		UH0486001	1	FEED CLUTCH	
16		UH0491000	1	HARNESS CRAMP	
17		U74234001	4	SCREW, CUP M4X5	
18		UH0492001	1	GEAR COVER, BLACK	
19		UH0493001	4	RUBBER FOOT	
20		UH0494001	1	CASSETTE GUIDE R	
21		UH0495000	1	SIZE SWITCH ACTUATOR	
22		UH0496001	1	SIZE SWITCH PCB	
23		U05404002	1	TAPTITE, BIND B M3X8	
24		UH0499001	1	CASSETTE GUIDE L	
25		UH0500000	1	CASSETTE LOCK PLATE	
26		U05404002	1	TAPTITE, BIND B M3X8	
27		U51247001	4	TAPTITE, PAN B M3X8	
28		UH0501000	1	INTERLOCK SW PLATE	
29		UH0502001	1	INTERLOCK SW LEVER	
30		UH0503001	1	INTERLOCK SW LEVER SHAFT	
31		048030346	2	RETAINING RING, E3	
32		UH0510000	1	EDGE SADDLE	
33		UH0635000	1	GEAR 15/24	
34		UH0636000	1	GEAR 27	
35		UH0637001	1	SOLENOID, PAPER FEED	
36		UH0640001	1	SOLENOID, PAPER PICK-UP	
37		571672001	2	SCREW, FLANGE M3X5	
38		UH0663001	1	CASSETTE LID, GRAY1227	
39		UH0664000	1	LID LOCK PLATE	
40		UH0721001	1	SHOULDER SCREW	
41		UH0749001	1	CORD CLAMP CKN-07	
42		UH0833000	1	HARNESS OP HOLDER	
43		571672001	1	SCREW, FLANGE M3X5	

# 6. TRANSFER UNIT

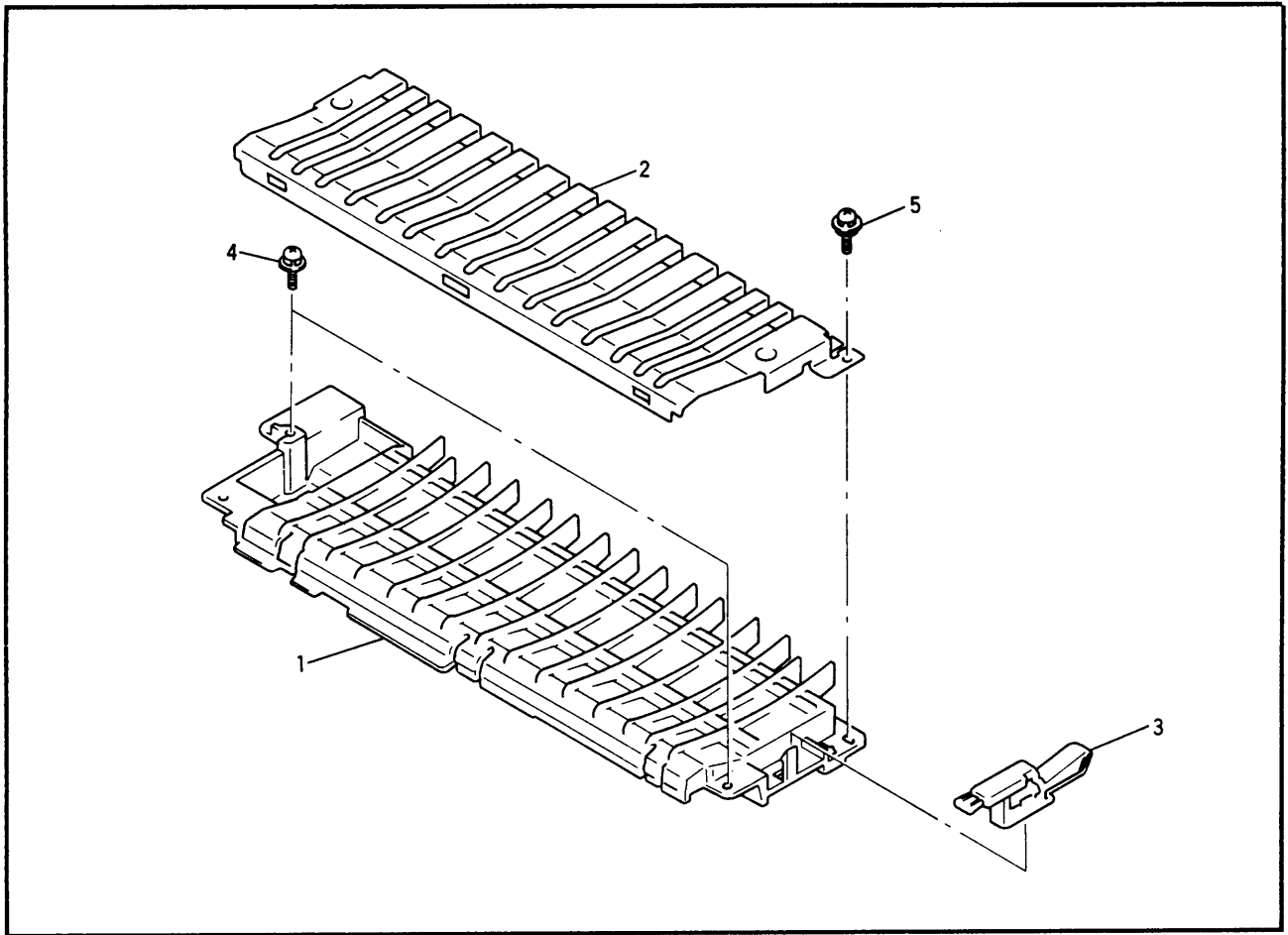




### 6. TRANSFER UNIT

REF.NO.	SYMBOL	CODE	Q'TY	DESCRIPTION	RMKS
1-27		UH0785001	1	TRANSFER ASSY, (SP)	
1		UH0515001	1	COROTRON CASE R, BLACK	
2		UH0516001	1	COROTRON CASE L, BLACK	
3		UH0517001	1	COROTRON WIRE	
4		UH0520001	1	TRANSFER TERMINAL	
5		UH0521000	1	SPRING, COIL	
6		UH0517001	1	COROTRON WIRE	
7		UH0524001	1	STATIC CHARGE ELIMINATOR	
8		UH0521000	1	SPRING, COIL	
9		UH0534001	1	GUT ROPE	
10		UH0535001	1	GUT HOLDER	
11		UH0536001	1	COROTRON CASE COVER R, BLACK	
12		UH0537001	1	COROTRON CASE COVER L, BLACK	
13		UH0538001	1	FRONT ROLLER PLATE	
14		UH0539001	1	CONNECTION PLATE	
15		UH0540001	1	TRANSFER FRONT ROLLER	
16		UH0542001	2	TRANSFER FRONT ROLLER BEARING	
17		UH0543001	1	GEAR 15, TRANSFER FRONT ROLLER	
18		048020346	1	RETAINING RING, E2	
19		U82235001	2	TAPTITE, PAN B M2.6X6	
20		UH0544001	1	TRANSFER FRONT GUIDE, UPPER	
21		UH0545001	1	TRANSFER FRONT GUIDE, LOWER	
22		U05404002	2	TAPTITE, BIND B M3X8	
23		UD0899001	1	TAPTITE, BIND B M3X6	
24		UH0526001	1	COROTRON PLATE ASSY	
25		UH0529001	1	COROTRON INNER PLATE	
26		UH0530001	1	COROTRON OUTER PLATE	
27		UH0532001	1	COROTRON REAR GUIDE, BLACK	
28		U03412001	2	SCREW, PAN (WASHER) M3X9DA	
29-35		UH0546001	1	TRANSFER PCB HOLDER ASSY	
29		UH0547001	1	TRANSFER PCB HOLDER	
30		UH0548001	1	TRANSFER PCB ASSY	
31		U21852001	1	TAPTITE, CUP B M2.6X6	
32		UH0553000	1	GROUND PLATE, #3	
33		UH0554000	1	GROUND PLATE, #4	
34		UH0555000	1	GROUND PLATE, #5	
35		UH0556000	1	GROUND PLATE, #6	
36		060300606	1	SCREW, BIND M3X6	
37		U06923003	1	TAPTITE, BIND B M3X10	

# 7. FEEDER GUIDE UNIT

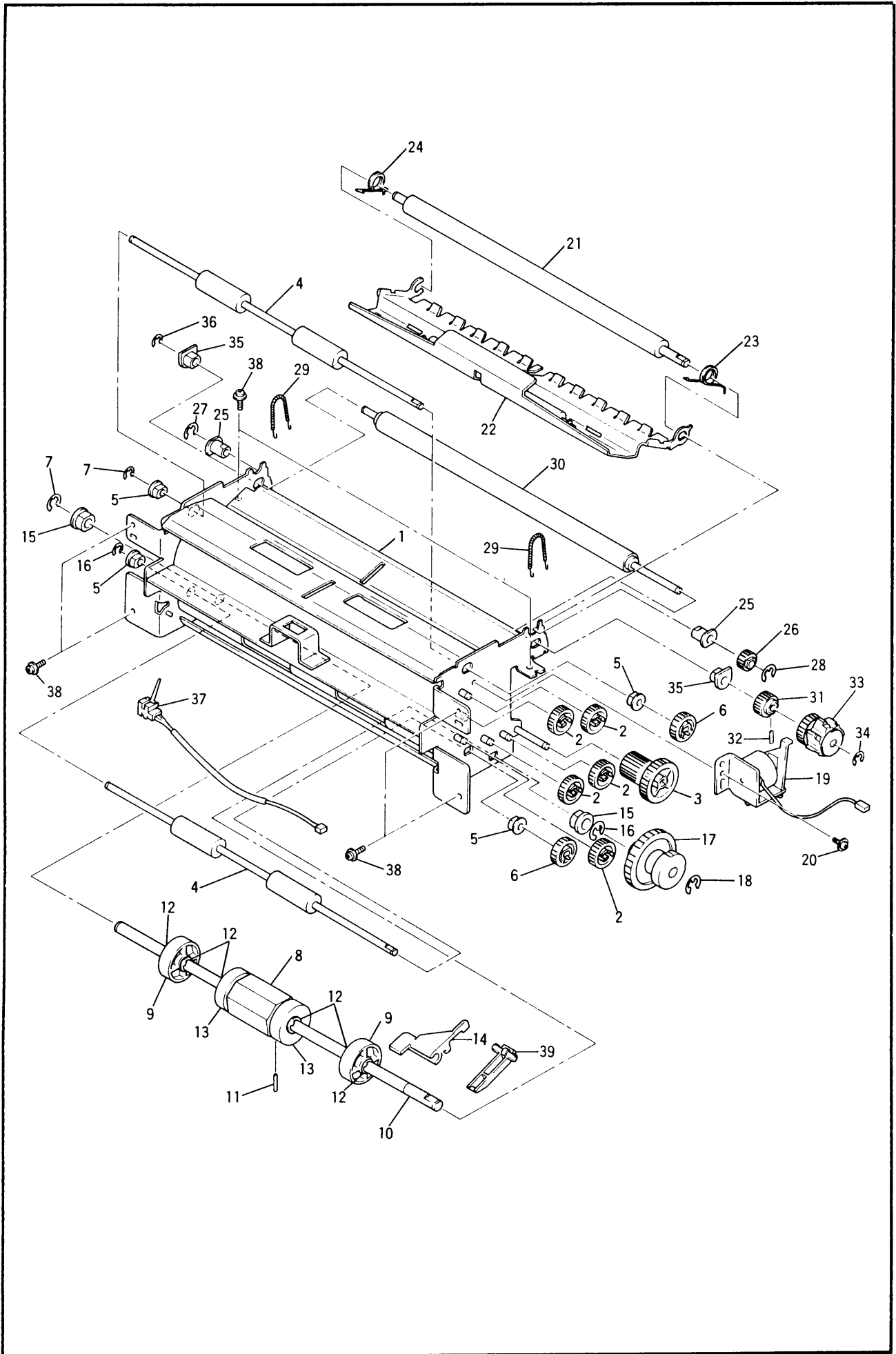


54T-S21-620

### 7. FEEDER GUIDE UNIT

REF.NO.	SYMBOL	CODE	Q'TY	DESCRIPTION	RMKS
1		UH0560001	1	FEEDER GUIDE, BLACK	
2		UH0561001	1	FEEDER PLATE	
3		U12574001	1	CLEANER	
4		U03412001	2	SCREW, PAN (WASHER) M3X9DA	
5		U27736001	1	SCREW, PAN (T WASHER) M3X8	

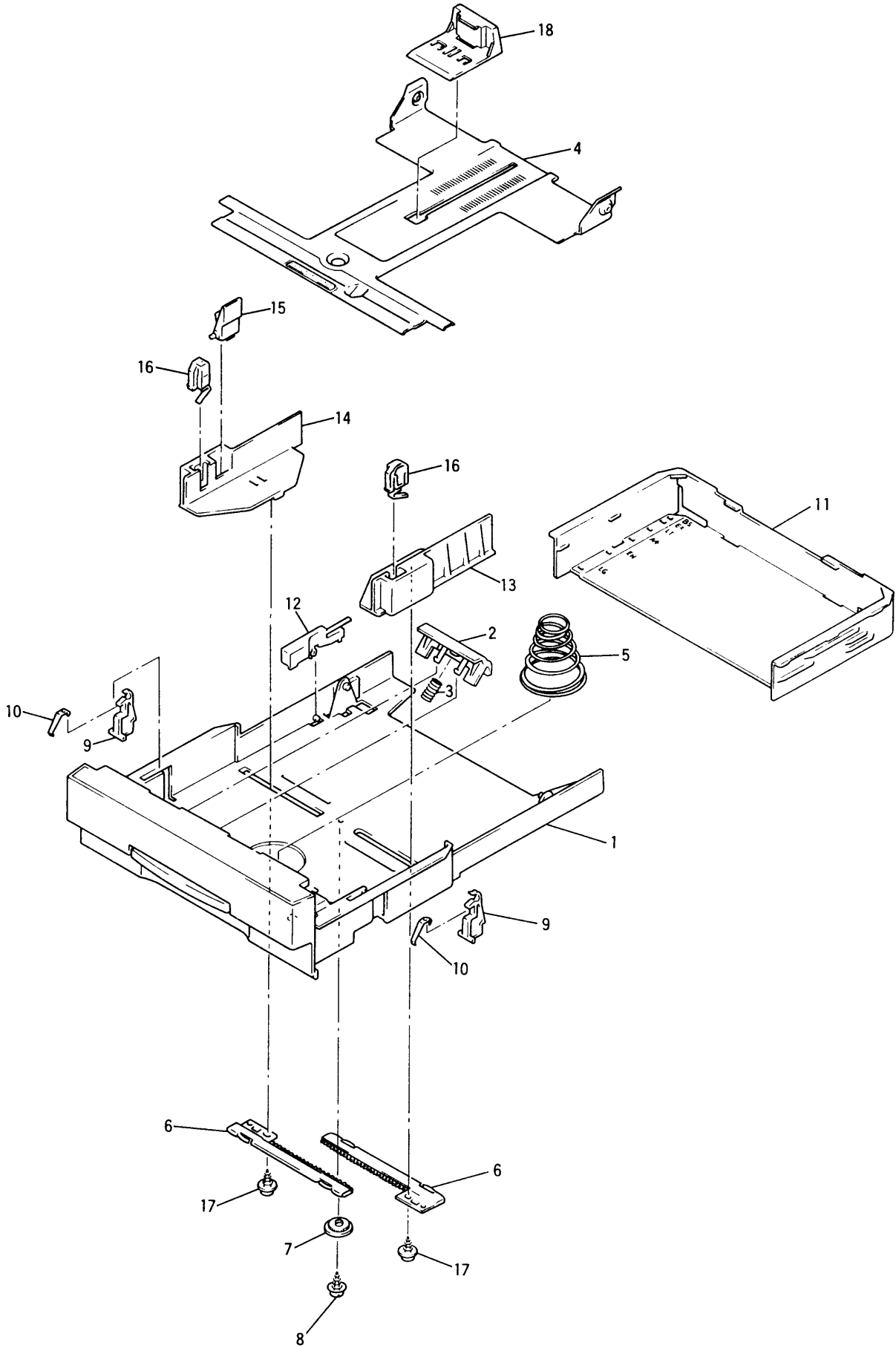
# 8. FEEDER UNIT



### 8. FEEDER UNIT

REF.NO.	SYMBOL	CODE	Q'TY	DESCRIPTION	RMKS
1		UH0566001	1	FEEDER FRAME UNIT	
2		UH0479000	5	GEAR 20	
3		UH0584000	1	GEAR 20/32	
4		UH0585001	2	FEED ROLLER	
5		UH0264000	4	BEARING, 05	
6		UH0588000	2	GEAR 21	
7		048040346	2	RETAINING RING, E4	
8-13		UH0589001	1	PAPER PICK-UP ROLLER ASSY	
8		UH0590001	1	PAPER PICK-UP ROLLER	
9		UH0592001	2	PAPER PICK-UP COLLAR, BLACK	
10		UH0593001	1	PAPER FEED ROLLER SHAFT	
11		UH0727000	1	PIN, M2X14	
12		048060346	6	RETAINING RING, E6	
13		UH0627001	2	COLLAR HOLDER, WHITE	
14		UH0594001	1	PAPER SENSOR ACTUATOR	
15		UH0595000	2	BEARING	
16		048060346	2	RETAINING RING, E6	
17		UH0596001	1	PAPER PICK-UP CLUTCH	
18		048050346	1	RETAINING RING, E5	
19		UH0601001	1	RESIST SOLENOID	
20		571672001	1	SCREW, FLANGE M3X5	
21-28		UH0604001	1	RESIST UPPER ROLLER ASSY	
21		UH0605001	1	RESIST UPPER ROLLER	
22		UH0606001	1	RESIST FRONT GUIDE SUB ASSY	
23		UH0612001	1	SPRING, TORSION	
24		UH0613001	1	SPRING, TORSION	
25		UH0614001	2	BEARING	
26		UH0615001	1	GEAR 24, RESIST UPPER ROLLER	
27		048050346	1	RETAINING RING, E5	
28		048040346	1	RETAINING RING, E4	
29		UH0729001	2	SPRING, EXTENSION	
30		UH0616001	1	RESIST LOWER ROLLER	
31		UH0618001	1	GEAR 28, RESIST LOWER ROLLER	
32		UH0728000	1	LOCK PIN, M2X10	
33		UH0619001	1	RESIST CLUTCH	
34		048040346	1	RETAINING RING, E4	
35		UH0624001	2	BEARING	
36		048050346	1	RETAINING RING, E5	
37		UH0625001	1	MANUAL TRAY SENSOR	
38		571672001	6	SCREW, FLANGE M3X5	
39		UH0673000	1	SENSOR ACTUATOR LINK	

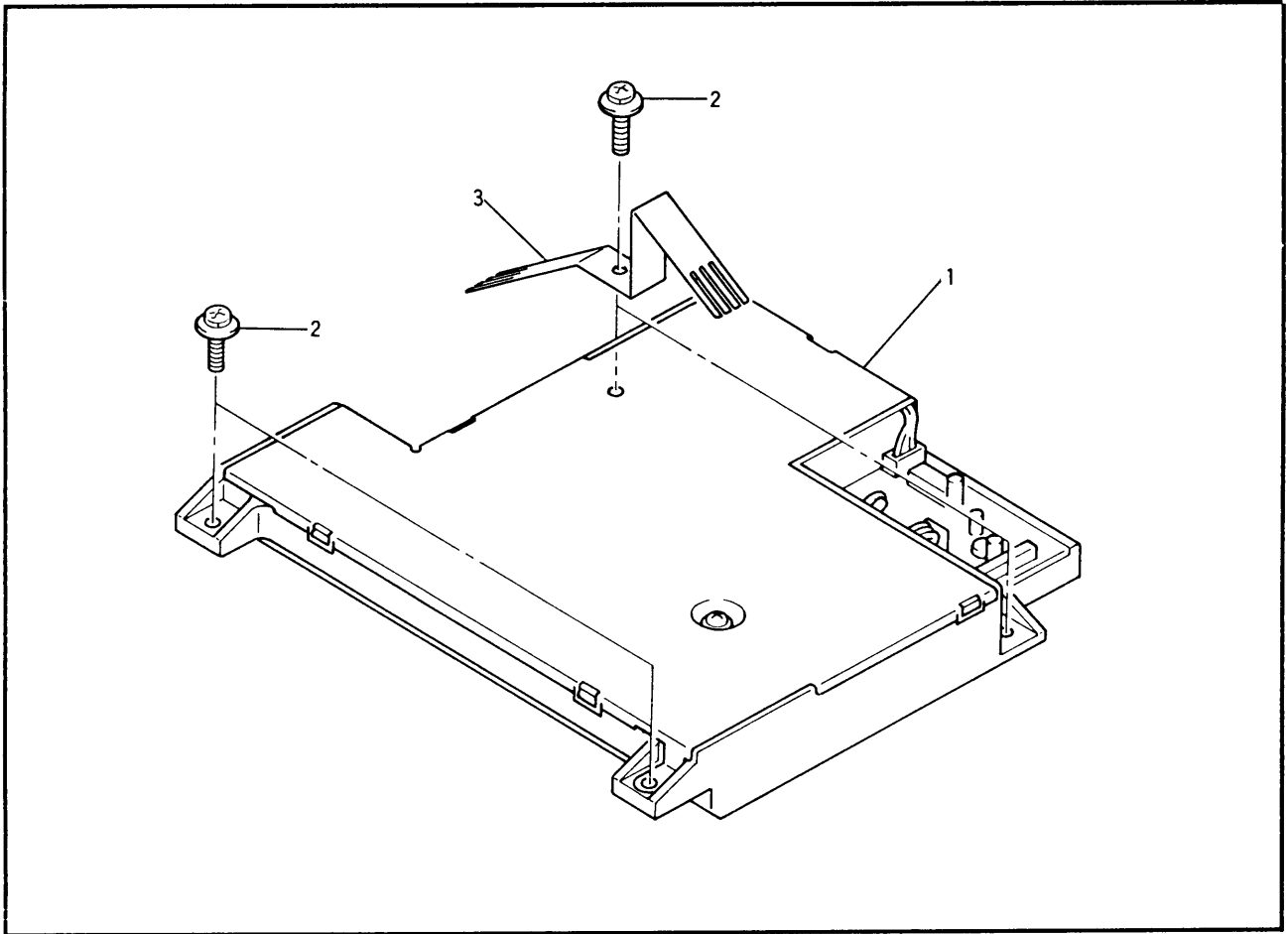
# 9. SINGLE CASSETTE



**9. SINGLE CASSETTE**

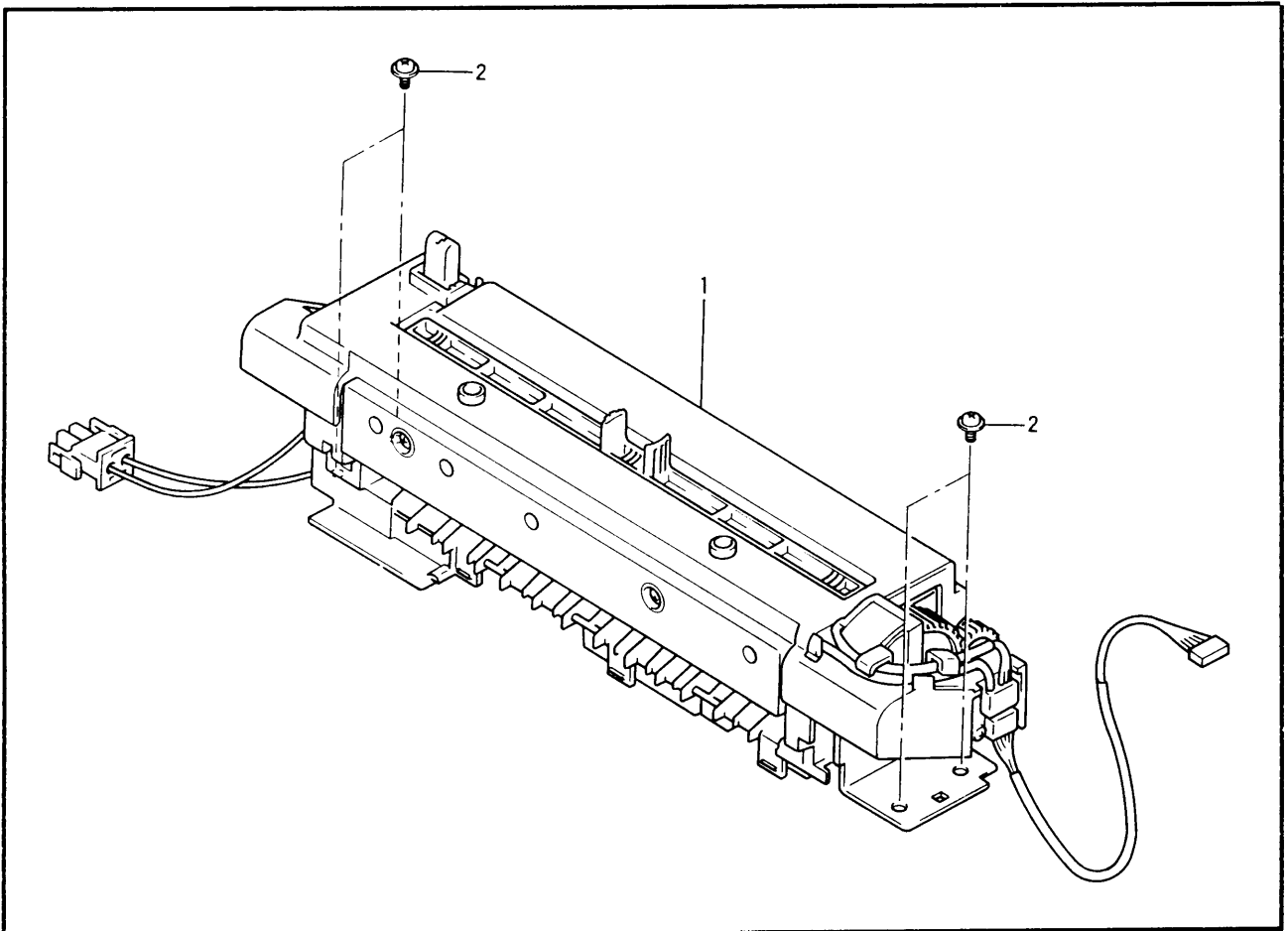
REF.NO.	SYMBOL	CODE	Q'TY	DESCRIPTION	RMKS
1-18		UH0787001	1	CASSETTE ASSY, GRAY1227 (SP)	
1		UH0643001	1	CASSETTE FRONT ASSY, GRAY1227	
2		UH0665001	1	SEPARATION PAD ASSY	
3		UH0650000	1	PAD SPRING	
4		UH0671001	1	HOPPER PLATE ASSY	
5		UH0655000	1	HOPPER SPRING	
6		UH0657001	2	GUIDE RAIL, GRAY1266	
7		UH0658001	1	GUIDE RAIL GEAR, GRAY1266	
8		U73515001	1	TAPTITE, CUP B M2.6X5	
9		UH0659001	2	HOPPER STOPPER	
10		UH0670000	2	SPRING, PLATE	
11		UH0660001	1	CASSETTE REAR	
12		UH0661001	1	CASSETTE REAR STOPPER,BLUE6137	
13		UH0666001	1	PAPER SIDE GUIDE R, GRAY1227	
14		UH0667001	1	PAPER SIDE GUIDE L, GRAY1227	
15		UH0668001	1	P-SIDE GUIDE RELEASER,BLUE6137	
16		UH0669001	2	P-SIDE SUB GUIDE, GRAY1227	
17		U73515001	2	TAPTITE, CUP B M2.6X5	
18		UH0662001	1	ENVELOPE GUIDE ,GRAY1227	

### 10. SCANNER UNIT



54T-S21-700

### 11. FIXING UNIT





**10. SCANNER UNIT**

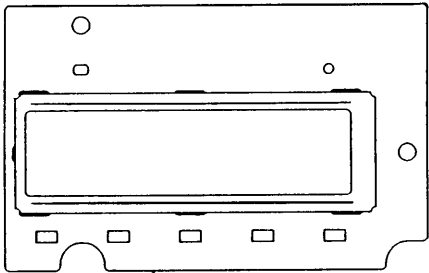
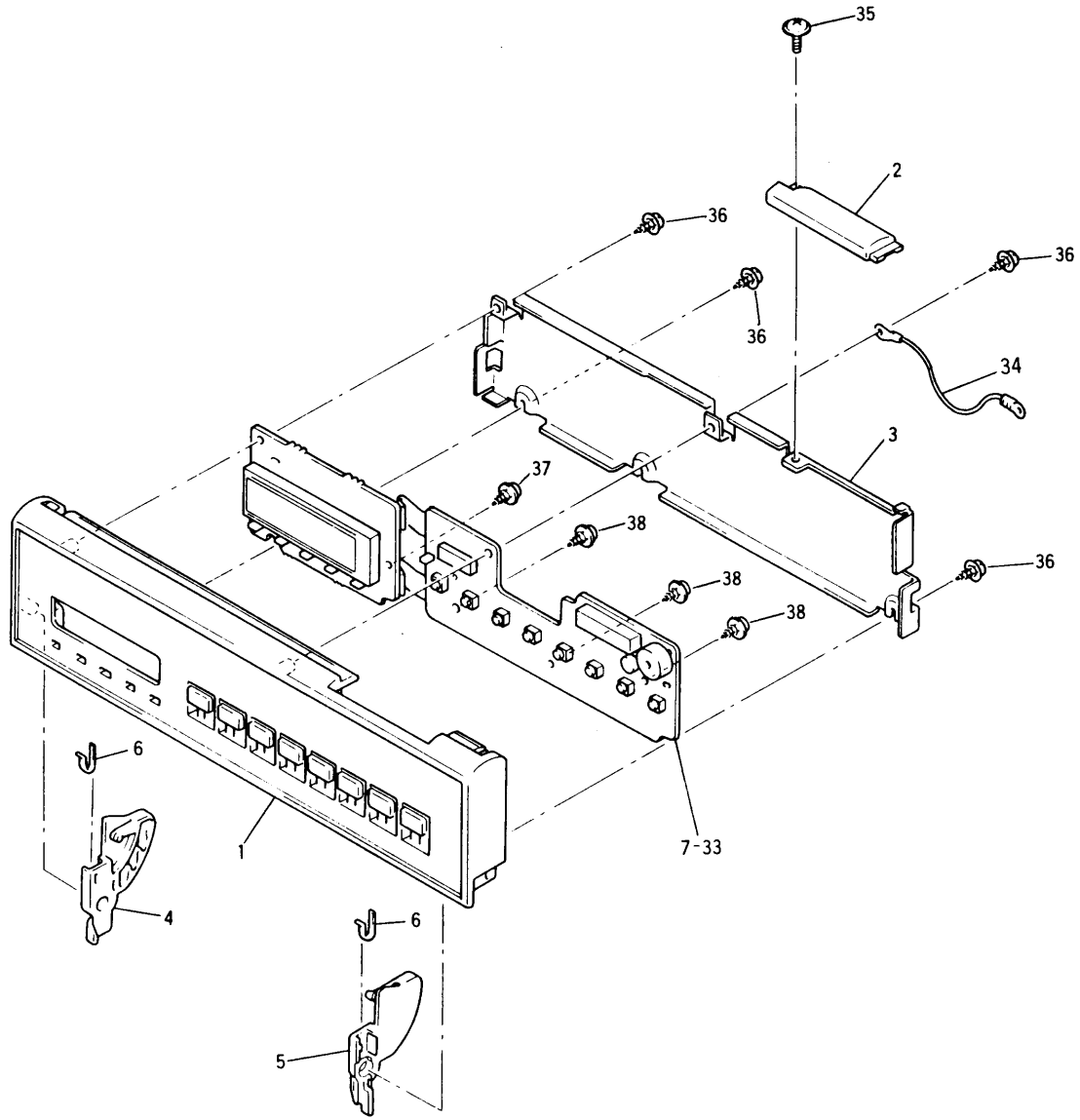
REF.NO.	SYMBOL	CODE	Q'TY	DESCRIPTION	RMKS
1		UH0700001	1	SCANNER UNIT	
2		U22703001	4	SCREW, PAN (WASHER) M3X12DB	
3		UH0699000	1	SCANNER GROUND PLATE	

54T-S21-700

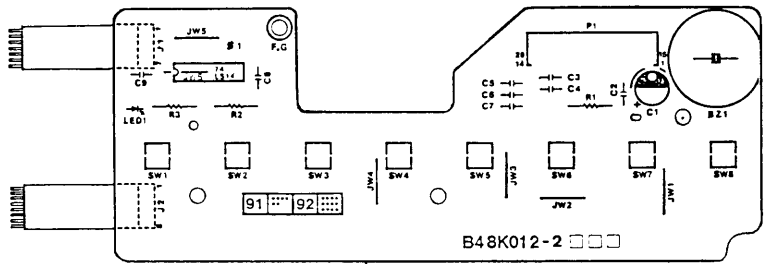
**11. FIXING UNIT**

REF.NO.	SYMBOL	CODE	Q'TY	DESCRIPTION	RMKS
1		UH0783001	1	FIXING UNIT 115V, (SP)	
1		UH0784001	1	FIXING UNIT 230V, (SP)	
2		053400806	4	SCREW, PAN (T WASHER) M4X8	

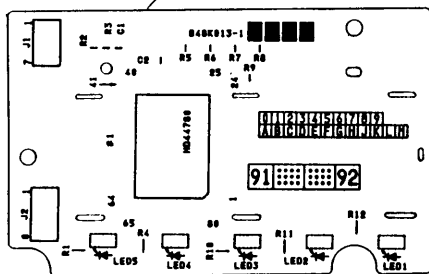
# 12. CONTROL PANEL



20-33



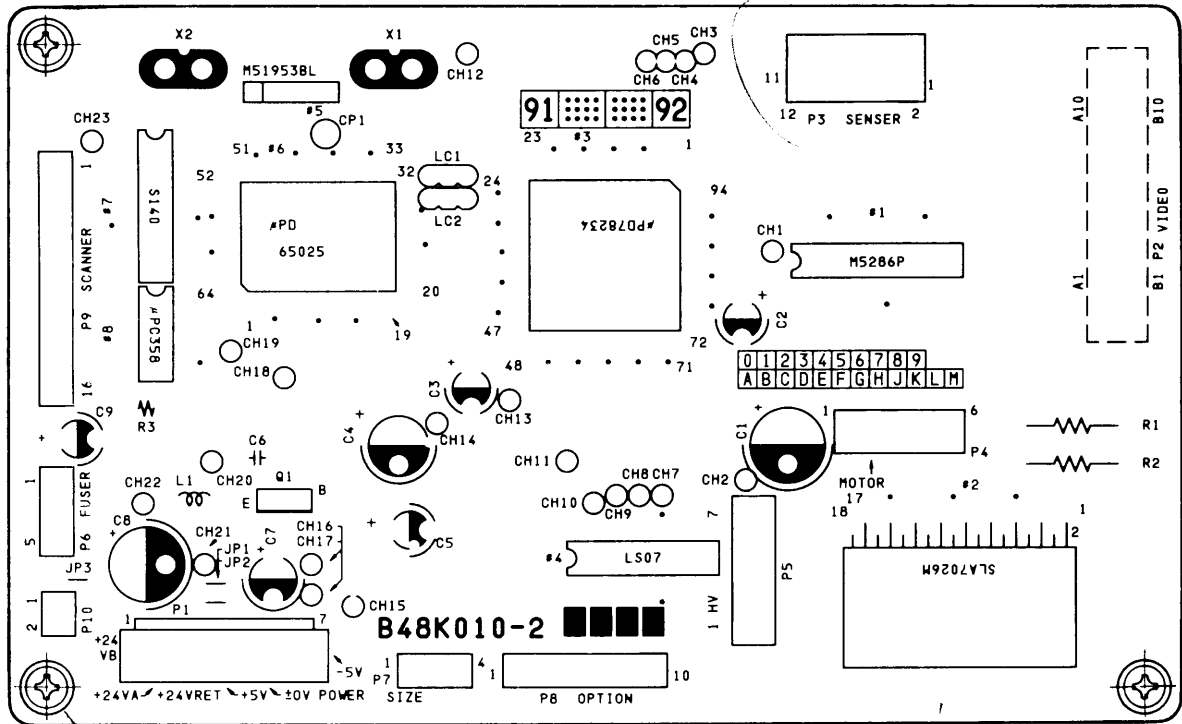
7-19



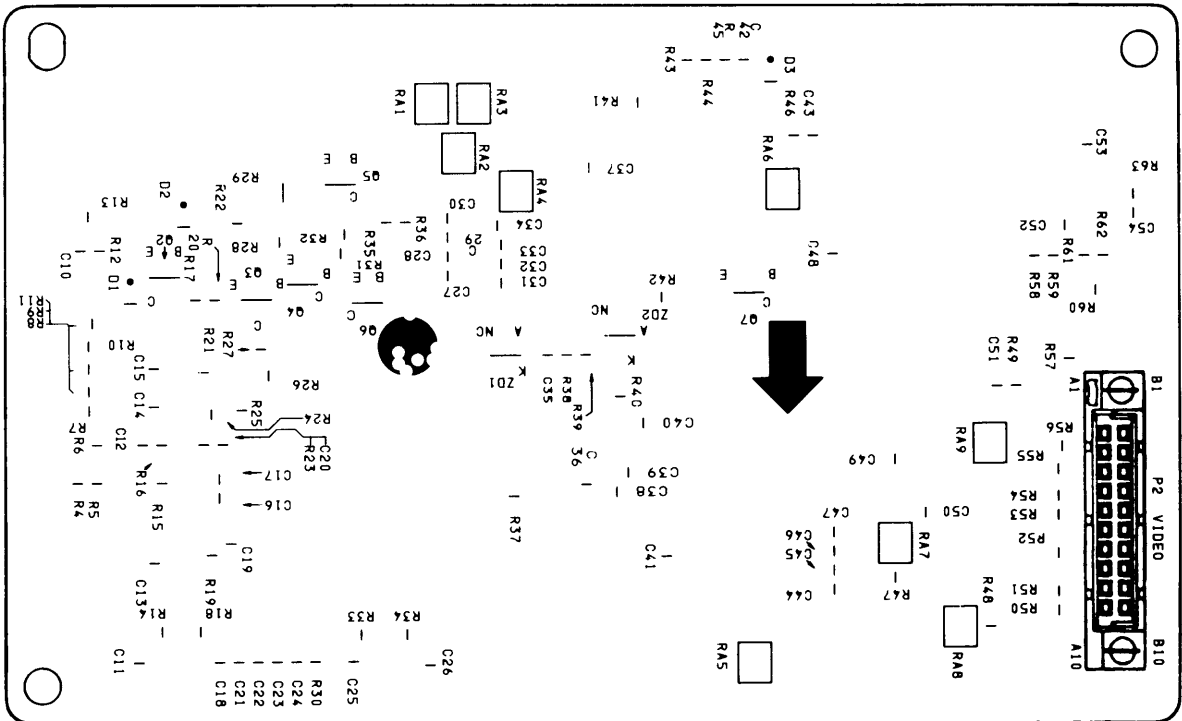
## 12. CONTROL PANEL

REF.NO	SYMBOL	CODE	Q'TY	DESCRIPTION	RMKS
1		UH0677001	1	CONTROL PANEL, GRAY1227	
2		UH0678001	1	HARNESS COVER, GRAY1227	
3		UH0679001	1	PANEL FRAME	
4		UH0681001	1	PANEL STOPPER L, GRAY1227	
5		UH0682001	1	PANEL STOPPER R, GRAY1227	
6		UH0683001	2	SPRING, PLATE	
7-33		UH0155001	1	SW-LCD ASSY, (SP)	
7-19	B48K012-200	UH0122001	1	SWITCH PANEL PCB ASSY	
7	#1	091100014	1	IC:74LS14	
8	LED1	UH0020000	1	DIODE, LIGHT EMIT:SEL1422G	
9	SW1-8	236387001	8	KEY SWITCH:SKHVBD	
10	BZ1	UH0021000	1	BUZZER:PKM17EPP	
11	R2	090101120	1	FIXED RESISTOR, D-A14YJ101	
12	R3	090331120	1	FIXED RESISTOR, D-A14YJ331	
13	R1	090102120	1	FIXED RESISTOR, D-A14YJ102	
14	C1	Y41012801	1	CAPACITOR, ALUM-ELEC 16B101	
15	C3-7	Y31021001	6	CAPACITOR, CERAMIC 25B102	
16	C2,9	U10389000	1	CAPACITOR, CERAMIC 25B104Z-249	
17	P1	UH0022000	1	CONNECTOR:LY20-28P	
18	J1	UH0026000	1	FLAT CABLE, 7PX30	
19	J2	UH0027000	1	FLAT CABLE, 8PX30	
20-33	B48K013-100A	UH0125001	1	LCD PCB ASSY	
20	#1	U17978001	1	LSI:HD44780SB02	
21	LED3	UH0078000	1	DIODE, LIGHT EMIT:GL8PR21	
22	LED2	UH0079000	1	DIODE, LIGHT EMIT:GL8HY21	
23	LED1,4,5	UH0080000	3	DIODE, LIGHT EMIT:GL8EG21	
24	R1,4,10-12	094331320	5	FIXED RESISTOR, G-C14J331	
25	R2	094471120	1	FIXED RESISTOR, G-C110J471	
26	R5,6,7,8	094152120	4	FIXED RESISTOR, G-C110J152	
27	R3	094153120	1	FIXED RESISTOR, G-C110J153	
28	R9	UH0041000	1	FIXED RESISTOR, G-C110F913	
29	C2	Y81020110	1	CAPACITOR, CERAMIC 50C102	
30	C1	Y81042400	1	CAPACITOR, CERAMIC 25C104	
31		U17989001	1	LCD:LR635-C	
32		U17990000	2	CONNECTOR, RUBBER L70	
33		UA3358000	1	LCD HOLDER	
34		UH0060001	1	GROUND WIRE, PANEL	
35		571672001	1	SCREW, FLANGE M3X5	
36		U06923003	5	TAPTITE, BIND B M3X10	
37		U05404002	1	TAPTITE, BIND B M3X8	
38		U05404002	3	TAPTITE, BIND B M3X8	

# 13. ENGIN CONTROL PCB

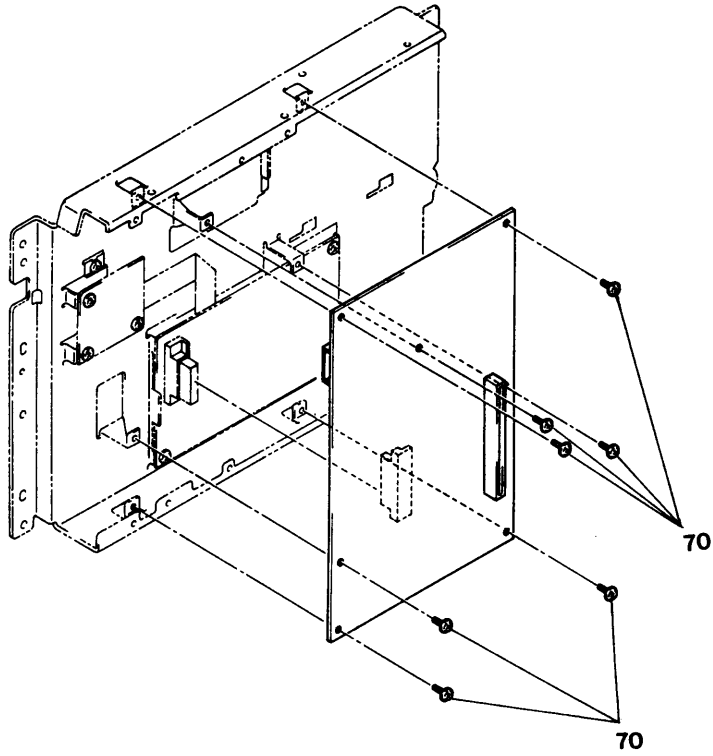
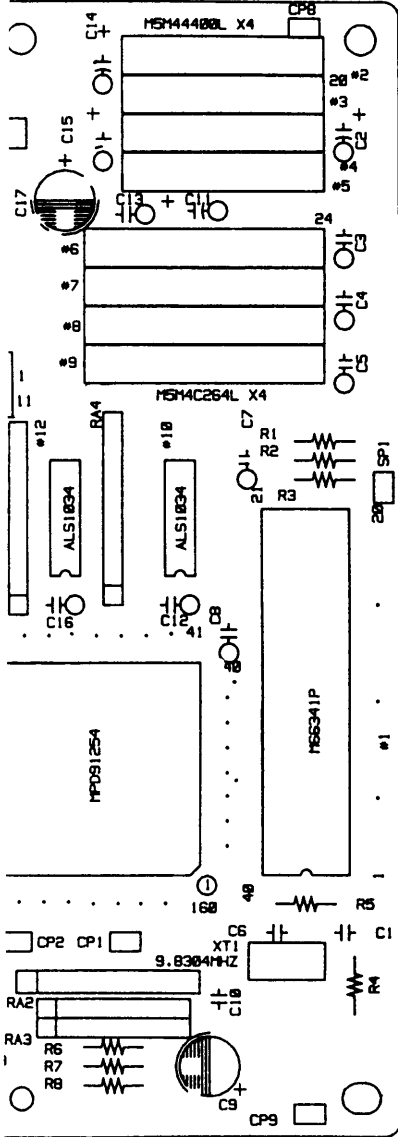


66



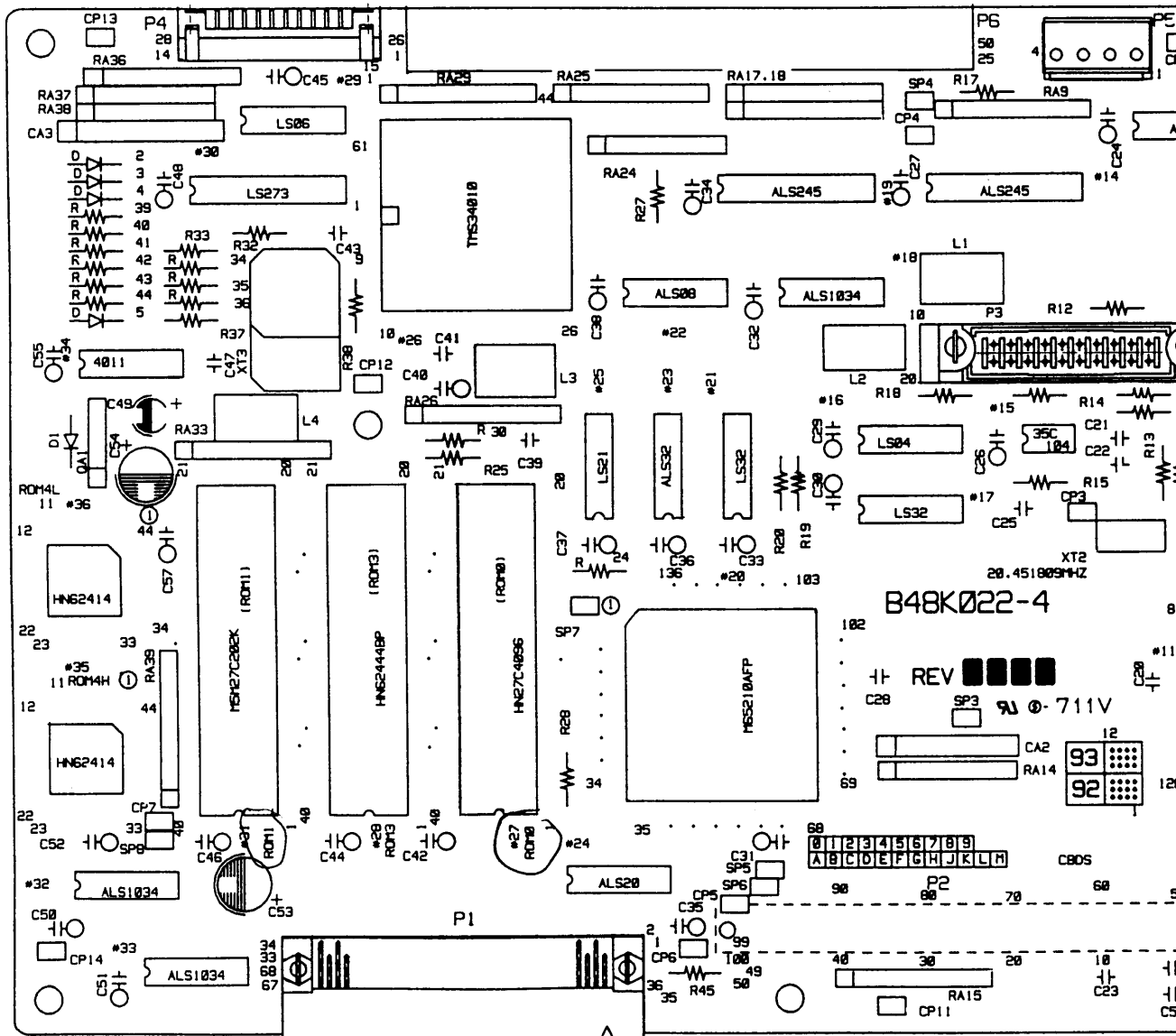
### 13. ENGIN CONTROL PCB

REF.NO.	SYMBOL	CODE	Q'TY	DESCRIPTION	RMKS
1-65	B48K010-200C	UH0151001	1	ENGINE PCB ASSY (SP)	
1	#3	UH0002000	1	MCU:MPD78234-513	
2	#6	UH0001000	1	GATE ARRAY:MPD65025-084	
3	#4	091100007	1	IC:74LS07	
4	#7	091300140	1	IC:74S140	
5	#8	410343001	1	OP-AMP:MPC358C	
6	#5	U17297000	1	RESET:M51953BL	
7	#1	U17826000	1	OP-AMP:M5286P	
8	#2	UH0003000	1	IC:SLA7026M	
9	Q5	UH0072000	1	TRANSISTOR, :DTC114TK	
10	Q3,6	U40270000	2	TRANSISTOR, :DTC114YK	
11	Q4,7	UC2512000	2	TRANSISTOR, :2SC1623	
12	Q1	UH0073000	1	TRANSISTOR, :2SD1520L	
13	Q2	UH0071000	1	TRANSISTOR, :DTB114EK	
14	D1,3	UB2088000	2	DIODE, :RLS73	
15	ZD1	UH0004000	1	DIODE, ZENER:RD3.9MB2	
16	ZD2	UH0005000	1	DIODE, ZENER:RD12MB2	
17	R7-11,26,42, 50-57	094101120	15	FIXED RESISTOR, G-C110J101	
18	R58	094121120	1	FIXED RESISTOR, G-C110J121	
19	R35,60	094471120	2	FIXED RESISTOR, G-C110J471	
20	R33	094821120	1	FIXED RESISTOR, G-C110J821	
21	R12,47	094102120	2	FIXED RESISTOR, G-C110J102	
22	R18,30	094152120	2	FIXED RESISTOR, G-C110J152	
23	R61,62	094222120	2	FIXED RESISTOR, G-C110J222	
24	R31,40,41, 45,48	094472120	5	FIXED RESISTOR, G-C110J472	
25	R5,16,19-22, 24,25,27,32, 44,49	094103120	12	FIXED RESISTOR, G-C110J103	
26	R28	094333120	1	FIXED RESISTOR, G-C110J333	
27	R43,46,63,	094473120	3	FIXED RESISTOR, G-C110J473	
28	R14,34	094105120	2	FIXED RESISTOR, G-C110J105	
29	R15,36	094225120	2	FIXED RESISTOR, G-C110J225	
30	R39	094332110	1	FIXED RESISTOR, G-C110G332	
31	R38	094392110	1	FIXED RESISTOR, G-C110G392	
32	R13	UH0006000	1	FIXED RESISTOR, G-C110F183	
33	R29	094189320	1	FIXED RESISTOR, G-C14J18-1	
34	RA2,4,7	UH0008000	3	RESISTOR ARRAY, J102Y4	
35	RA1,3,8	UH0009000	3	RESISTOR ARRAY, J472Y4	
36	RA6,9	UB2095000	2	RESISTOR ARRAY, J103Y4C	
38	R1,2	Y06807613	2	FIXED RESISTOR, G-A2YJ68-2	
39	C11	Y72201110	1	CAPACITOR, CERAMIC 50C220CH	
40	C18,26	Y72701110	2	CAPACITOR, CERAMIC 50C270CH	
41	C25	Y73901110	1	CAPACITOR, CERAMIC 50C390CH	
42	C20,36,41, 51	Y71011110	4	CAPACITOR, CERAMIC 50C101CH	
43	C10,16,35, 43,54	Y74711110	5	CAPACITOR, CERAMIC 50C471CH	
44	C52,53	Y82220110	2	CAPACITOR, CERAMIC 50C222	
45	C12,17,21, 24,27-34,42, 44-47,50	Y81032410	18	CAPACITOR, CERAMIC 50C103	
46	C13,14,19, 22,23,37-39	Y81042400	8	CAPACITOR, CERAMIC 25C104	
47	C6	UH0011000	1	CAPACITOR, CERAMIC 1000B221	
48	C2,3	Y43395602	2	CAPACITOR, ALUM-ELEC 50B33-1	
49	C9	Y44793602	1	CAPACITOR, ALUM-ELEC 25B47-1	
50	C7	Y41011602	1	CAPACITOR, ALUM-ELEC 10B101VS	
51	C1,8	Y41014601	2	CAPACITOR, ALUM-ELEC 35B101	
52	C4	Y42211602	1	CAPACITOR, ALUM-ELEC 10B221	
53	X2	UH0012000	1	CRYSTAL OSCILLATOR, 3.82152MHZ	
54	X1	UH0013000	1	CRYSTAL OSCILLATOR, 11.408226M	
55	L1	UH0014000	1	COIL:SN3-200	
56	LC1,2	UH0074000	2	NOISE FILTER:ZJSC-R47-121	
57	P1	U32740000	1	CONNECTOR:B7P-VH	
58	P2	UH0015000	1	CONNECTOR:52482-020	
59	P4	U04255000	1	CONNECTOR:B6B-XH-A	
60	P5	UH0016000	1	CONNECTOR:B7B-XH	
61	P7	W00330000	1	CONNECTOR:B4B-PH	
62	P6	U17535000	1	CONNECTOR:B5B-PH	
63	P8	U32987001	1	CONNECTOR:B10B-PH	
64	P9	U86592000	1	CONNECTOR:B16B-PHK	
65	P3	UH0017000	1	CONNECTOR:52044-1245	
66		571672001	3	SCREW, FLANGE M3X5	



14. VIDEO CONTROL PCB

14. VIDEO CONTROL PCB



14. VIDEO CONTROL PCB

REF.NO.	SYMBOL	CODE	Q'TY	DESCRIPTION	RMKS
1-69	B48K022-400B	UH0156001	1	VIDEO CONTROL PCB PS. (SP)	
1	#26	UK0054000	1	MPU:TMS34010-60	
2	#20	UK0051000	1	GATE ARRAY:M65210AFP	
3	#11	UA5150000	1	LSI:MPD91254	
4	#2,3,4,5	UA4926000	4	DRAM:M5M44400AL	
5	#6,7,8,9	UA4803000	4	RAM:M5M4C264L-8	
6	#27	UK0026001	1	EPROM HL-DPS#1	
7	#31	UK0028001	1	EPROM HL-DPS#2	
8	#28	UK0006000	1	MASK ROM:HN62444BPC10	
9	#36	UK0146000	1	MASK ROM:HN62414FPE20	
10	#35	UK0147000	1	MASK ROM:HN62414FPE21	
11	#1	UA4820000	1	LSI:M66341P	
12	QA1	U17297000	1	RESET:M51953BL	
13	#15	U13959000	1	EEPROM:CAT35C104	
14	#16	091100004	1	IC:74LS04	
15	#29	091100006	1	IC:74LS06	
16	#25	091100021	1	IC:74LS21	
17	#17,21	091100032	2	IC:74LS32	
18	#30	091100273	1	IC:74LS273	
19	#22	091500008	1	IC:74ALS08	
20	#24	091500020	1	IC:74ALS20	
21	#23	091500032	1	IC:74ALS32	
22	#13	091500074	1	IC:74ALS74	
23	#14,19	091500245	2	IC:74ALS245	
24	#10,12,18, 32,33	U12122000	5	IC:74ALS1034	
25	#34	092004011	1	IC:TC4011BP	
26	XT3	UK0062000	1	OSCILLATOR, C034A2-60M	
27	XT2	UH0029000	1	CRYSTAL OSCILLATOR, 20.45MHZ	
28	XT1	UA4941000	1	OSCILLATOR, HC49-9.830	
29	D1,2,3,4,5	128614001	5	DIODE, :1S2473	
30	#26	UK0063000	1	IC SOCKET:PLCC68P	
31	#15	UA5018000	1	IC SOCKET:ICO-083S	
32	#27,31	UA4815000	2	IC SOCKET:IC0406S8A	
33	R6,14,28	090101120	3	FIXED RESISTOR, D-A14YJ101	
34	R39	090561120	1	FIXED RESISTOR, D-A14YJ561	
35	R30,33	090102120	2	FIXED RESISTOR, D-A14YJ102	
36	R41	090152120	1	FIXED RESISTOR, D-A14YJ152	
37	R11,40	090332120	2	FIXED RESISTOR, D-A14YJ332	
38	R4	090392120	1	FIXED RESISTOR, D-A14AJ392	
39	R12,17,19, 20,32,34,37, 38,43,45	090472120	10	FIXED RESISTOR, D-A14YJ472	
40	R1-3,7-10, 15,18,24,25, 27,42	090103120	13	FIXED RESISTOR, D-A14YJ103	
41	R36	090123120	1	FIXED RESISTOR, D-A14YJ123	
42	R44	090223120	1	FIXED RESISTOR, D-A14YJ223	
43	R35	090333120	1	FIXED RESISTOR, D-A14YJ333	
44	RA14	Y61027041	1	RESISTOR ARRAY, 102X7J	
45	RA15	Y61028041	1	RESISTOR ARRAY, 102X8J	
46	RA9,17,18, 25,26,29,33, 36,39	Y64728041	9	RESISTOR ARRAY, 472X8J	
47	RA24	Y61037041	1	RESISTOR ARRAY, 103X7J	
48	RA2,3,37,38	Y61014061	4	RESISTOR ARRAY, 101X4J	
49	RA4,6	Y61015061	2	RESISTOR ARRAY, J101X5Y	
50	C49	Y41095602	1	CAPACITOR, ALUM-ELEC 50B10-1	
51	C9,17,53,54	Y42211602	4	CAPACITOR, ALUM-ELEC 10B221	
52	C2,11,14,15	U12739000	4	CAPACITOR, CERAMIC 16B335Z53	
53	C21,22	Y11502110	2	CAPACITOR, CERAMIC 50B150	
54	C1,6	Y12202001	2	CAPACITOR, CERAMIC 50B220	
55	C10	Y21010001	1	CAPACITOR, CERAMIC 50B101	
56	C18,41	Y21510001	2	CAPACITOR, CERAMIC 50B151	
57	C25,28,39, 43	Y31021001	4	CAPACITOR, CERAMIC 25B102	
58	C19,20,23, 47,56	Y31031001	5	CAPACITOR, CERAMIC 25B103	
59	C3-5,7,12, 13,16,24,26, 27,29-38,40, 42,44-46,48, 50-52,57	U10389000	30	CAPACITOR, CERAMIC 25B104Z-249	
60	CA1	576457000	1	CAPACITOR ARRAY, M101X8	
61	CA2	U15864000	1	CAPACITOR ARRAY, M102X7	
62	CA3	U33553000	1	CAPACITOR ARRAY, 102X8	
63	P1	UH0031000	1	CONNECTOR:FX2-68P	
64	P2	UH0032000	1	CONNECTOR:FX2CA-100P	
65	P3	UH0033000	1	CONNECTOR:53315-020	
66	P4	UH0022000	1	CONNECTOR:LY20-28P	
67	P5	U32041001	1	CONNECTOR:B4P-VH	
68	L1,2,3	UK0196000	3	FILTER:DSS310-271	
69	L4	UK0198000	1	FILTER:DSS310-470	
70		571672001	7	SCREW, FLANGE M3X5	

*Handwritten notes:*  
 Run 1 = UK 0026001 7ml  
 Run 2 = UK 0026002  
 Run 1 = Run 0 UK 0026  
 Run 2 = Run 1 UK 0028

*Handwritten note:*  
OK

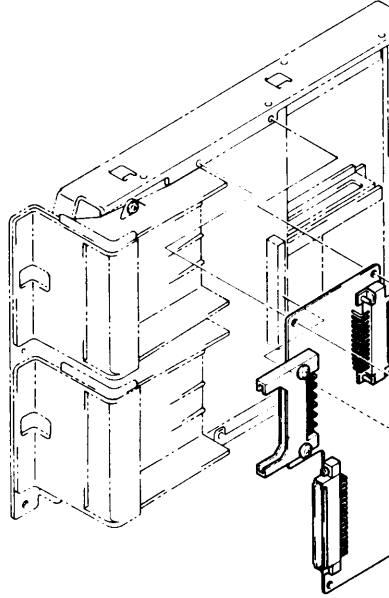
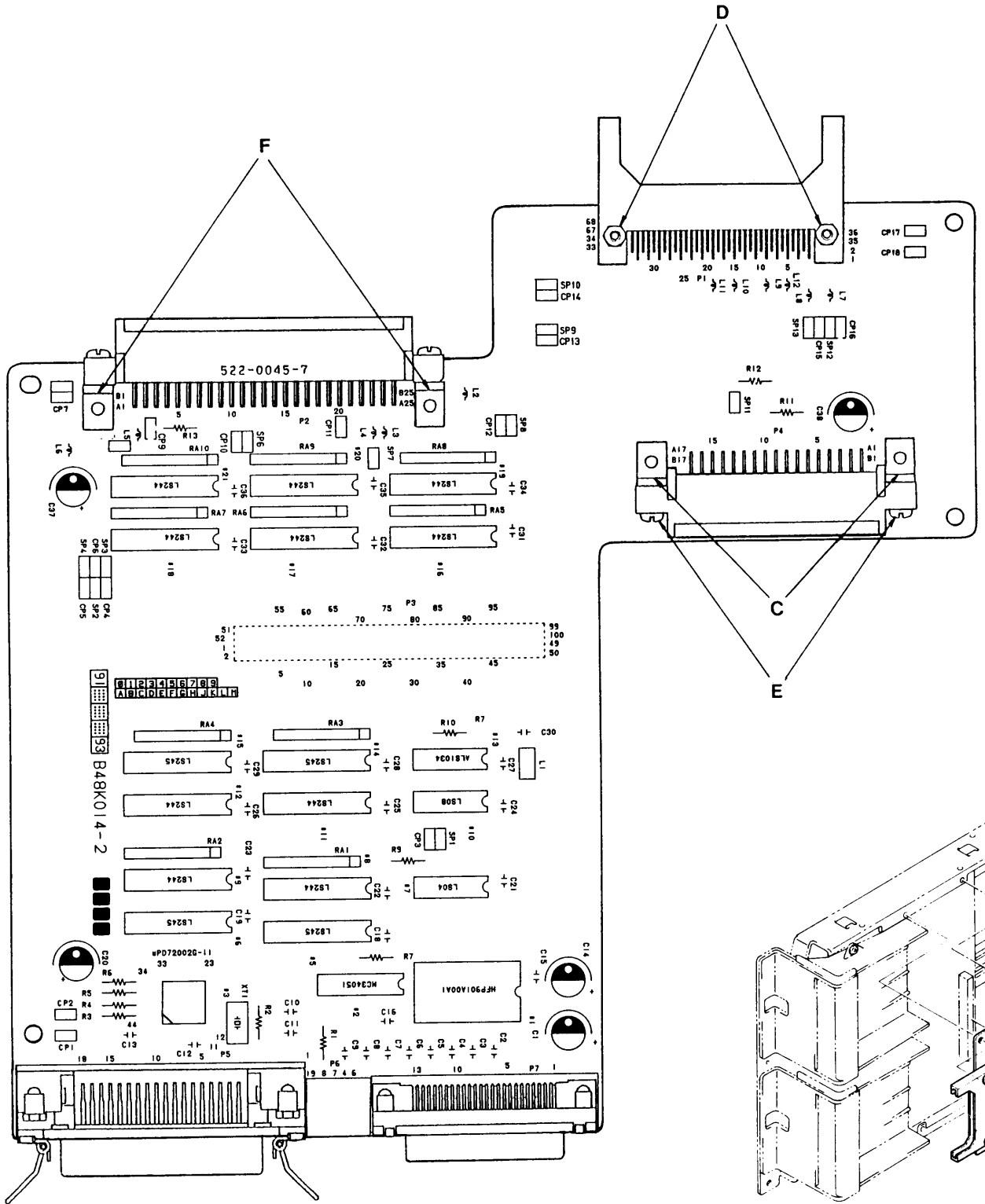
CE





15. INTERFACE PCB PS-#1

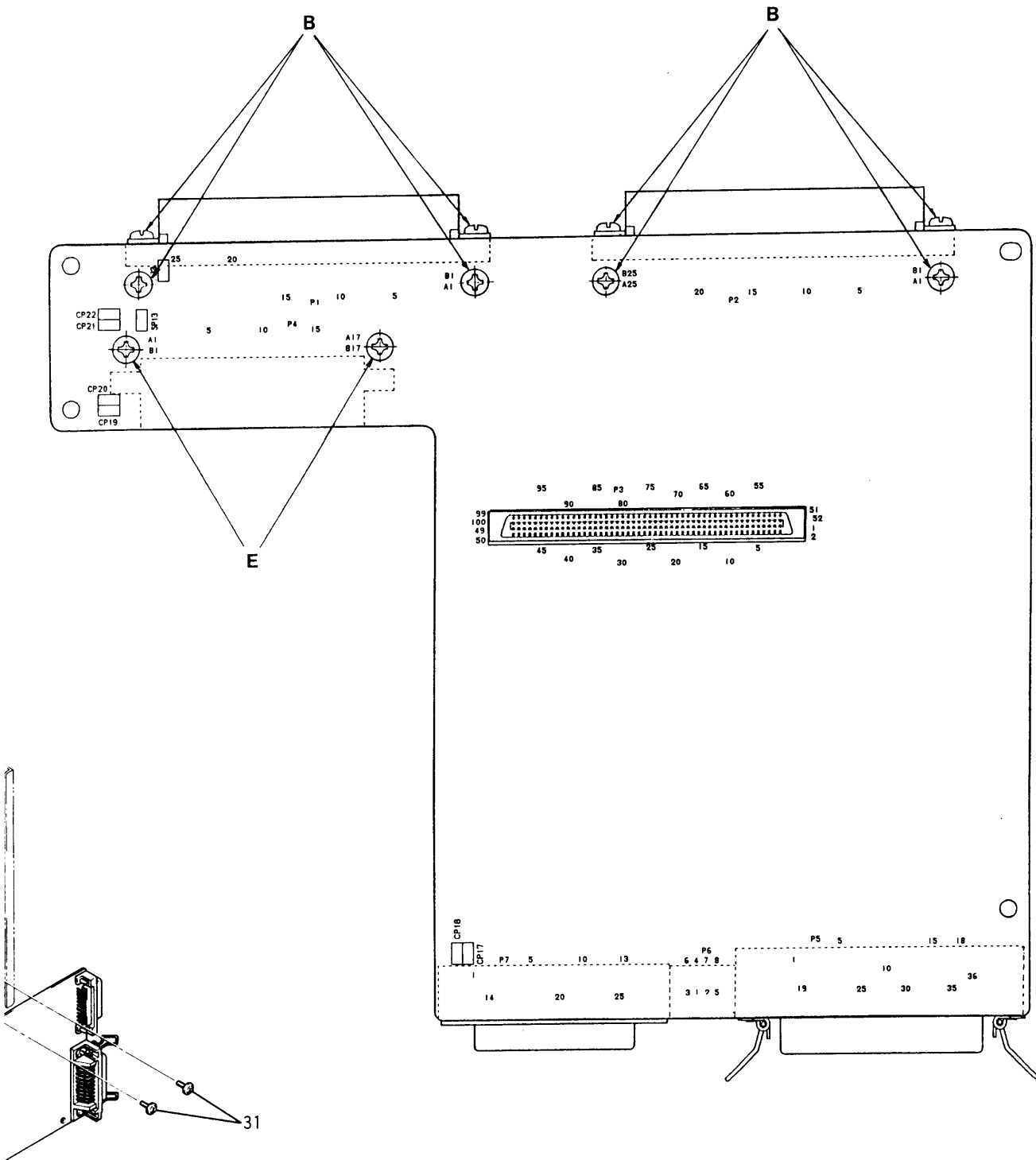
15. INTERFACE PCB PS-#1



15. INTERFACE PCB PS-#1

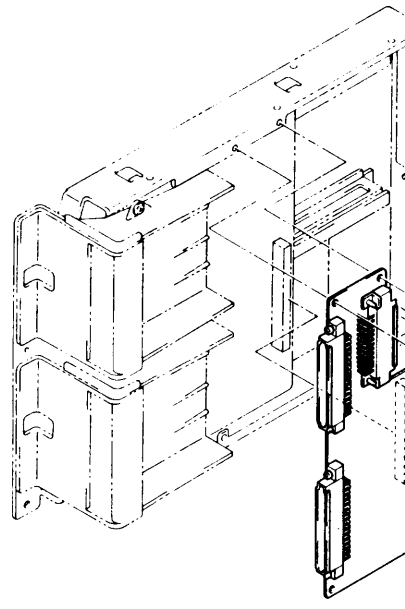
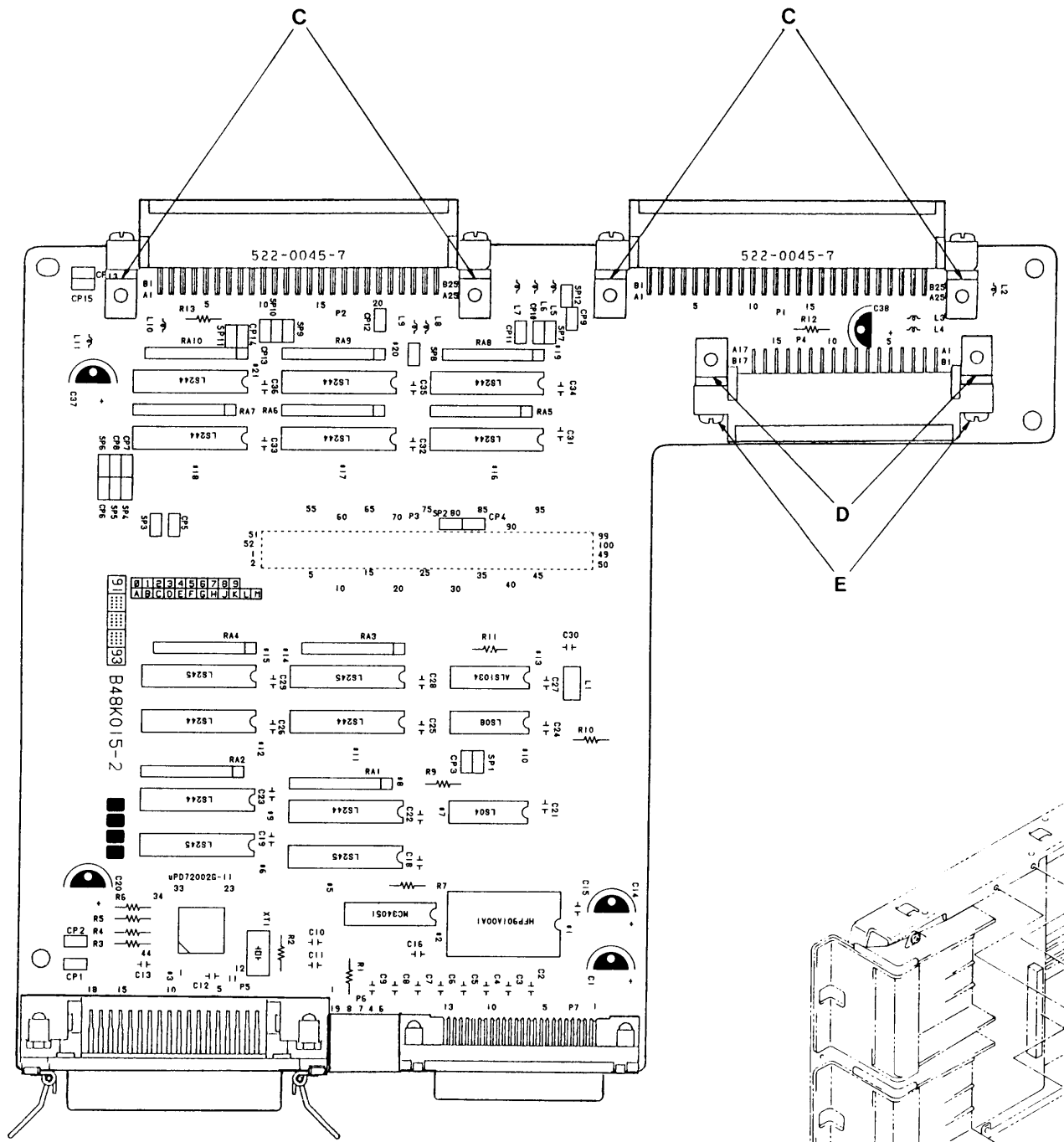
REF.NO.	SYMBOL	CODE	Q'TY	DESCRIPTION	RMKS
1-33	B48K014-202A	UH0157001	1	I/F PCB ASSY PS-#1, (SP)	
1	#1	U79967000	1	I/F MODULE:HFP901A	
2	#3	UA4927000	1	LSI:UPD72002GB	
3	#2	U13945000	1	LSI:M5M34051P	
4	XT1	U15858000	1	OSCILLATOR, CSA3.686	
5	#7	091100004	1	IC:74LS04	
6	#10	091100008	1	IC:74LS08	
7	#8,9,11,12, 16,17-21	091100244	10	IC:74LS244	
8	#5,6,14,15	091100245	4	IC:74LS245	
9	#13	U12122000	1	IC:74ALS1034	
10	RA1,2,3,4	Y64728041	4	RESISTOR ARRAY, 472X8J	
11	R10	090330120	1	FIXED RESISTOR, D-A14YJ330	
12	R1	090151120	1	FIXED RESISTOR, D-A14YJ151	
13	R3,4,5,6	090472120	4	FIXED RESISTOR, D-A14YJ472	
14	R7,9,11,12, 13	090103120	5	FIXED RESISTOR, D-A14YJ103	
15	R2	090105120	1	FIXED RESISTOR, D-A14YJ105	
16	C1,14,20,37, 38	Y42211602	5	CAPACITOR, ALUM-ELEC 10B221	
17	C6,7,8,9,10, 11,30	Y21010001	7	CAPACITOR, CERAMIC 50B101	
18	C2,3,4,5,13	Y31021001	5	CAPACITOR, CERAMIC 25B102	
19	C12,15,16, 18,19,21-29, 31-36	U10389000	20	CAPACITOR, CERAMIC 25B104Z-249	
20	L1	U12158000	1	FILTER:ED21-B271M	
21	P3	UH0034000	1	CONNECTOR:FX2CA-100S	
22	P1	UA5012000	1	CONNECTOR:175649-2	
23	P2	U12737000	1	CONNECTOR:CR22B-50D	
24	P4	UH0035000	1	CONNECTOR:CR22-34D	
25	P5	UK0013000	1	CONNECTOR:57LE-D171	
26	P7	UK0014000	1	CONNECTOR:FCN-675J025	
27	P6	UA4933000	1	CONNECTOR:MD-S8100	
28	B	U13624001	2	SCREW, PAN M3X9	
29	D	021300205	2	NUT, 2 M3	
30	C	U13542001	2	L HINGE STOPPER	
31	E	U13624001	4	SCREW, PAN M3X9	
32	F	U13542001	2	L HINGE STOPPER	
33	G	U13624001	4	SCREW, PAN M3X9	
34		571672001	2	SCREW, FLANGE M3X5	

*Europe*



16. INTERFACE PCB PS-#2

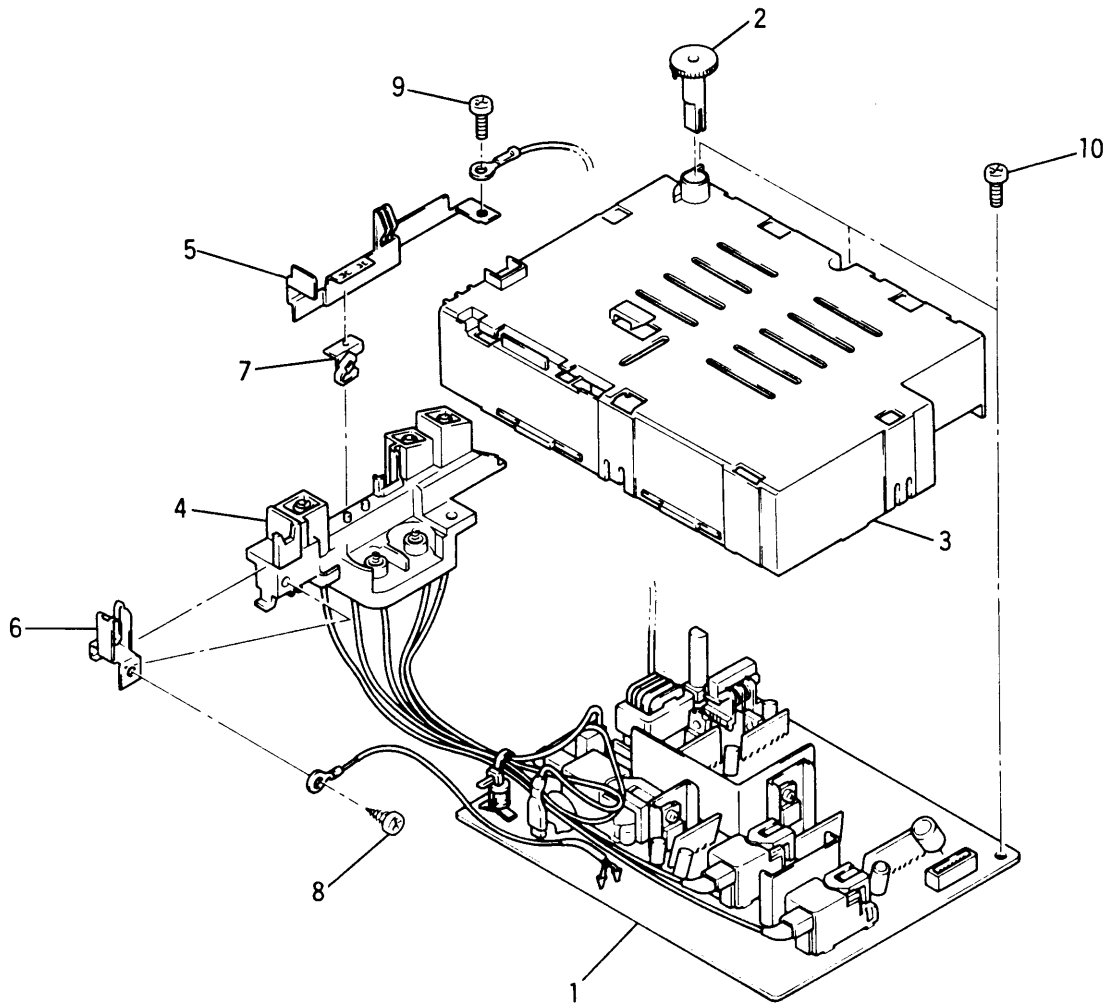
16. INTERFACE PCB PS-#2



16. INTERFACE PCB PS-#2

REF.NO.	SYMBOL	CODE	Q'TY	DESCRIPTION	RMKS
1-30	B48K015-202A	UH0158001	1	I/F PCB ASSY PS-#2, (SP)	
1	#1	U79967000	1	I/F MODULE:HFP901A	
2	#3	UA4927000	1	LSI:UPD72002GB	
3	#2	U13945000	1	LSI:M5M34051P	
4	XT1	U15858000	1	OSCILLATOR, CSA3.686	
5	#7	091100004	1	IC:74LS04	WJ
6	#10	091100008	1	IC:74LS08	
7	#8,9,11,12, 16-21	091100244	10	IC:74LS244	
8	#5,6,14,15	091100245	4	IC:74LS245	
9	#13	U12122000	1	IC:74ALS1034	
10	RA1,2,3,4	Y64728041	4	RESISTOR ARRAY, 472X8J	
11	R11	090330120	1	FIXED RESISTOR, D-A14YJ330	
12	R1	090151120	1	FIXED RESISTOR, D-A14YJ151	
13	R3,4,5,6	090472120	4	FIXED RESISTOR, D-A14YJ472	
14	R2	090105120	1	FIXED RESISTOR, D-A14YJ105	
15	C1,14,20,37, 38	Y42211602	5	CAPACITOR, ALUM-ELEC 10B221	
16	C6,7,8,9,10, 11,30	Y21010001	7	CAPACITOR, CERAMIC 50B101	
17	C2,3,4,5,13	Y31021001	5	CAPACITOR, CERAMIC 25B102	
18	C12,15,16, 18,19,21-29, 31-36	U10389000	20	CAPACITOR, CERAMIC 25B104Z-249	
19	L1	U12158000	1	FILTER:ED21-B271M	
20	P3	UH0034000	1	CONNECTOR:FX2CA-100S	
21	P1,2	U12737000	2	CONNECTOR:CR22B-50D	
22	P4	UH0035000	1	CONNECTOR:CR22-34D	
23	P5	UK0013000	1	CONNECTOR:57LE-D171	
24	P7	UK0014000	1	CONNECTOR:FCN-675J025	
25	P6	UA4933000	1	CONNECTOR:MD-S8100	
26	C	U13542001	4	L HINGE STOPPER	
27	B	U13624001	8	SCREW, PAN M3X9	
28	D	U13542001	2	L HINGE STOPPER	
29	E	U13624001	4	SCREW, PAN M3X9	
30	R7,9,10,12, 13	090103120	5	FIXED RESISTOR, D-A14YJ103	
31		571672001	2	SCREW, FLANGE M3X5	

# 17. HIGH VOLTAGE POWER SUPPLY

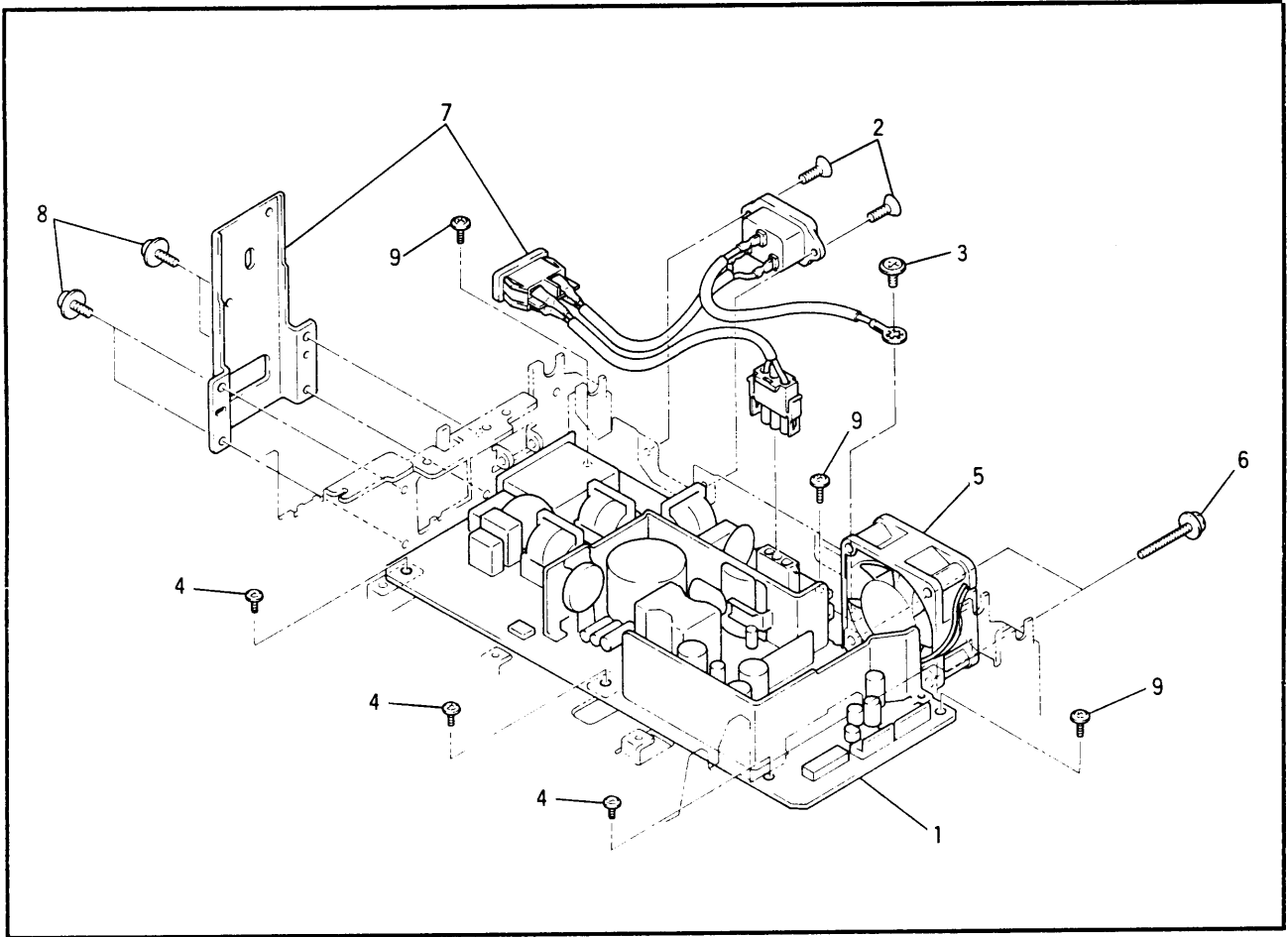


### 17. HIGH VOLTAGE POWER SUPPLY

REF.NO.	SYMBOL	CODE	Q'TY	DESCRIPTION	RMKS
1		UH0159001	1	HIGH-VOLTAGE PCB ASSY. (SP)	
2		UH0687001	1	CONTRAST DIAL, GREEN5192	
3		UH0688001	1	HIGH-VOLTAGE PCB COVER, BLACK	
4		UH0690001	1	HIGH-VOLTAGE CONNECTOR, BLACK	
5		UH0691000	1	CONNECTOR SPRING #1	
6		UH0692000	1	CONNECTOR SPRING #2	
7		UH0693000	1	CONNECTOR SPRING #3	
8		U05404002	1	TAPTITE, BIND B M3X8	
9		060300606	1	SCREW, BIND M3X6	
10		U22701001	3	SCREW, PAN (WASHER) M3X8DB	

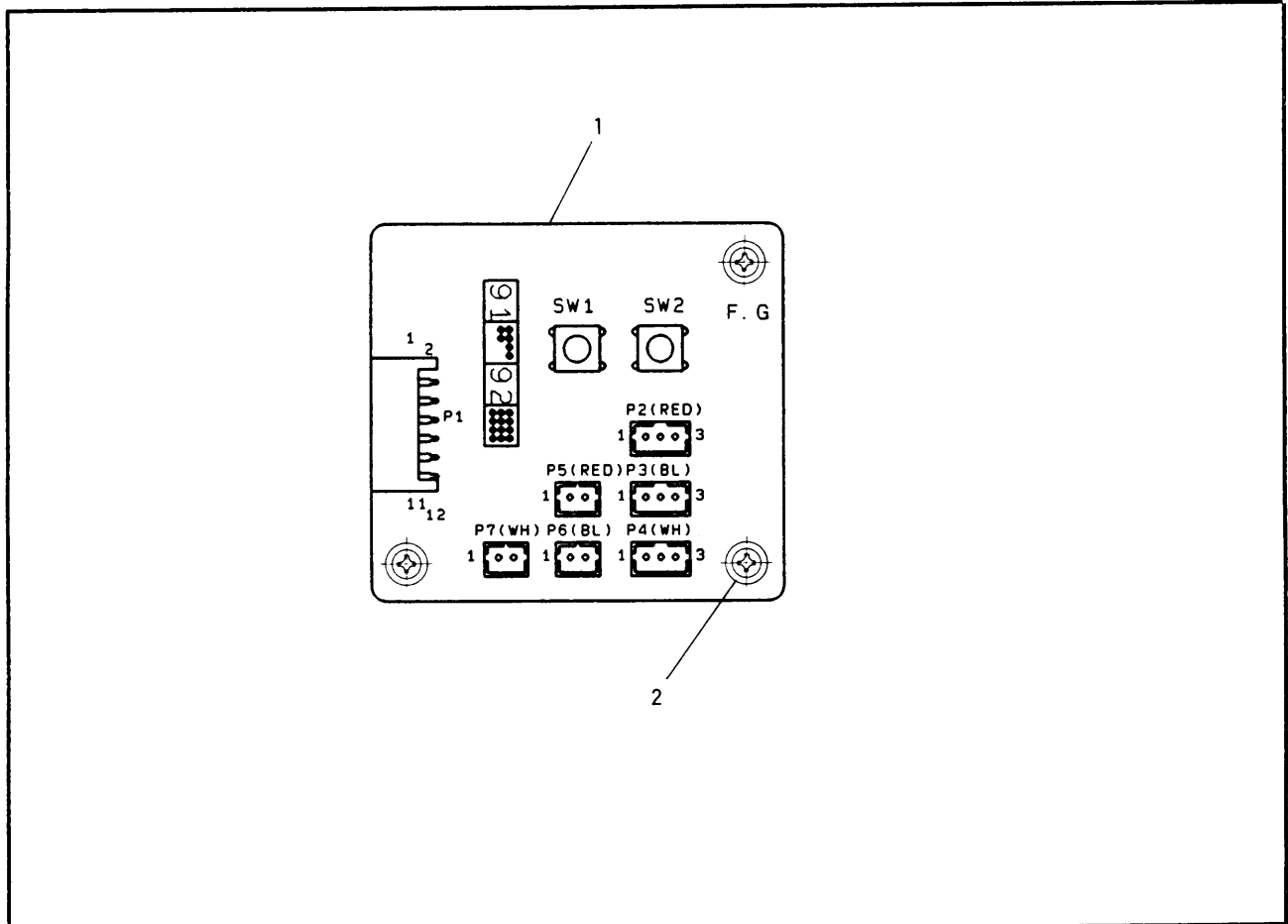


### 18. LOW VOLTAGE POWER SUPPLY



54T-S21-300

### 19. RELAY PCB



### 18. LOW VOLTAGE POWER SUPPLY

REF.NO.	SYMBOL	CODE	Q'TY	DESCRIPTION	RMKS
1		UH0160001	1	POWER SUPPLY UNIT 100V, (SP)	
1		UH0161001	1	POWER SUPPLY UNIT 200V, (SP)	
2		061300606	2	SCREW, FLAT M3X6	
3		053400806	1	SCREW, PAN (T WASHER) M4X8	
4		571672001	3	SCREW, FLANGE M3X5	
5		UH0439001	1	DC FAN MOTOR ASSY	
6		UH0511001	2	SCREW, PAN (P WASHER) M3X28	
7		UH0504001	1	POWER SUPPLY SWITCH ASSY	
8		U50553001	4	SCREW, CUP M3X5	
9		U12017001	3	SCREW, PAN (T WASHER) M3X6	

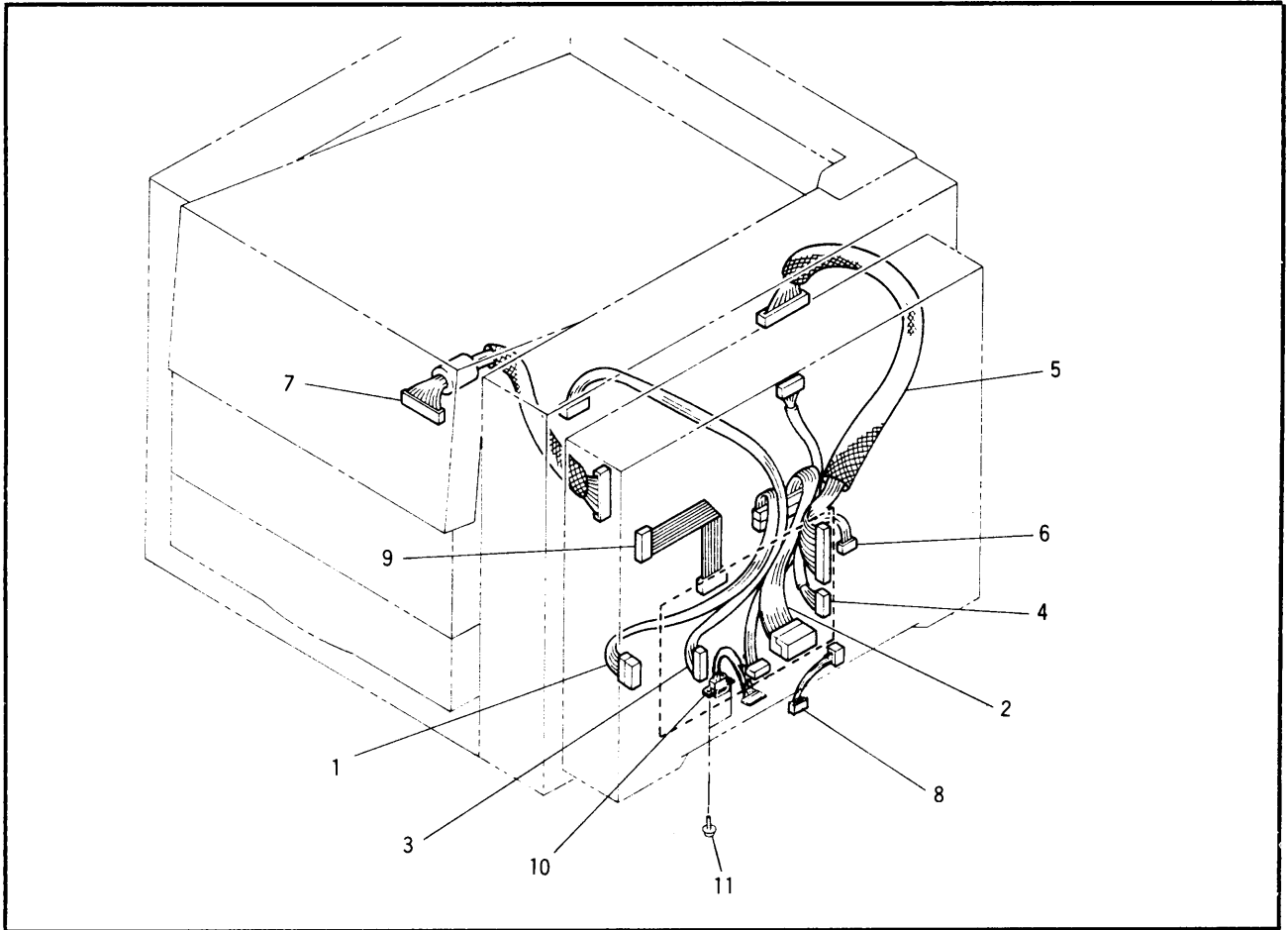
54T-S21-300

### 19. RELAY PCB

REF.NO.	SYMBOL	CODE	Q'TY	DESCRIPTION	RMKS
1		UH0138001	1	RELAY PCB ASSY #A	
2		571672001	3	SCREW, FLANGE M3X5	

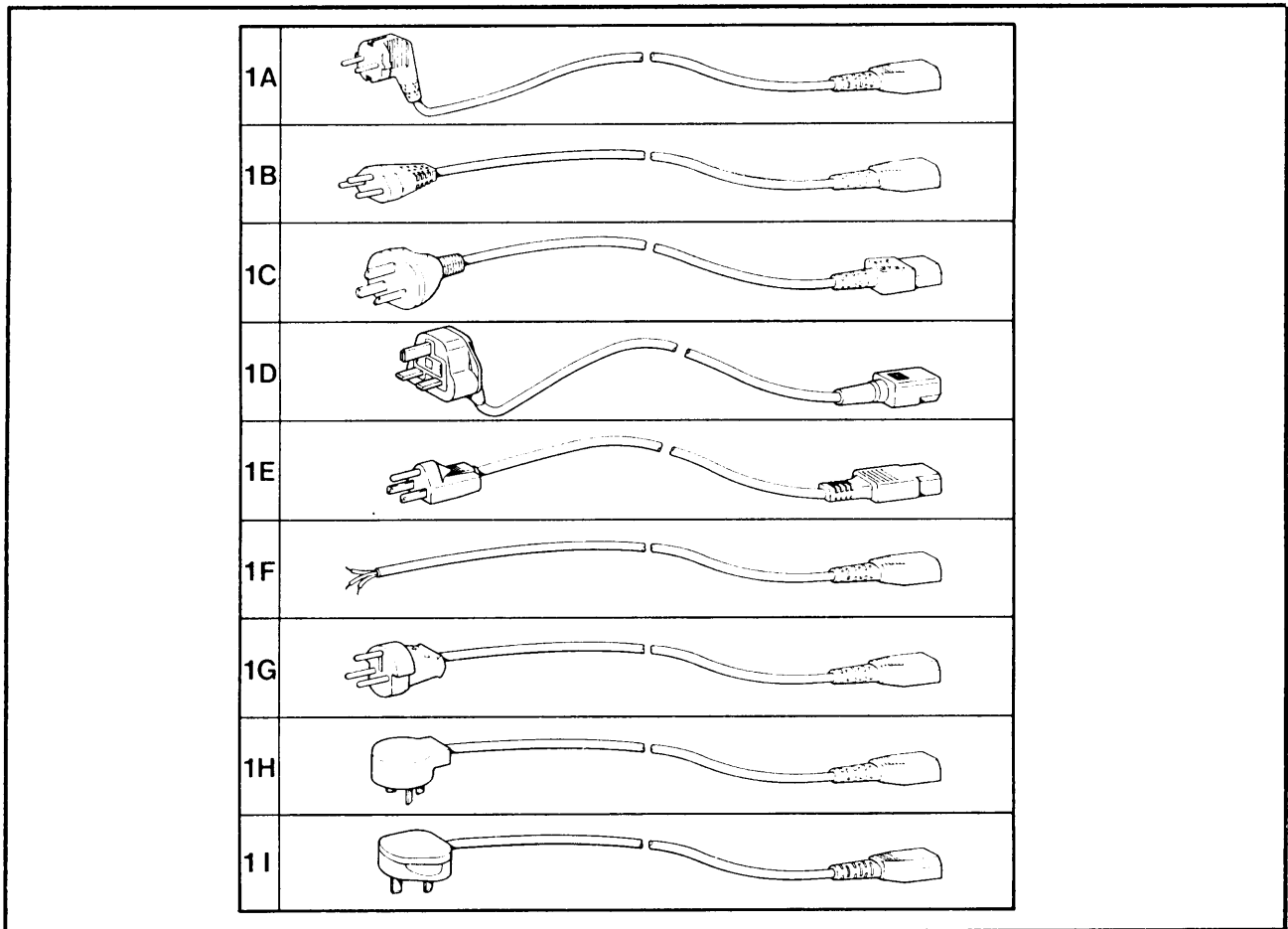
54T-S21-300

## 20. HARNESSES



54T-S21-070

## 21. POWER CORDS



## 20. HARNESSSES

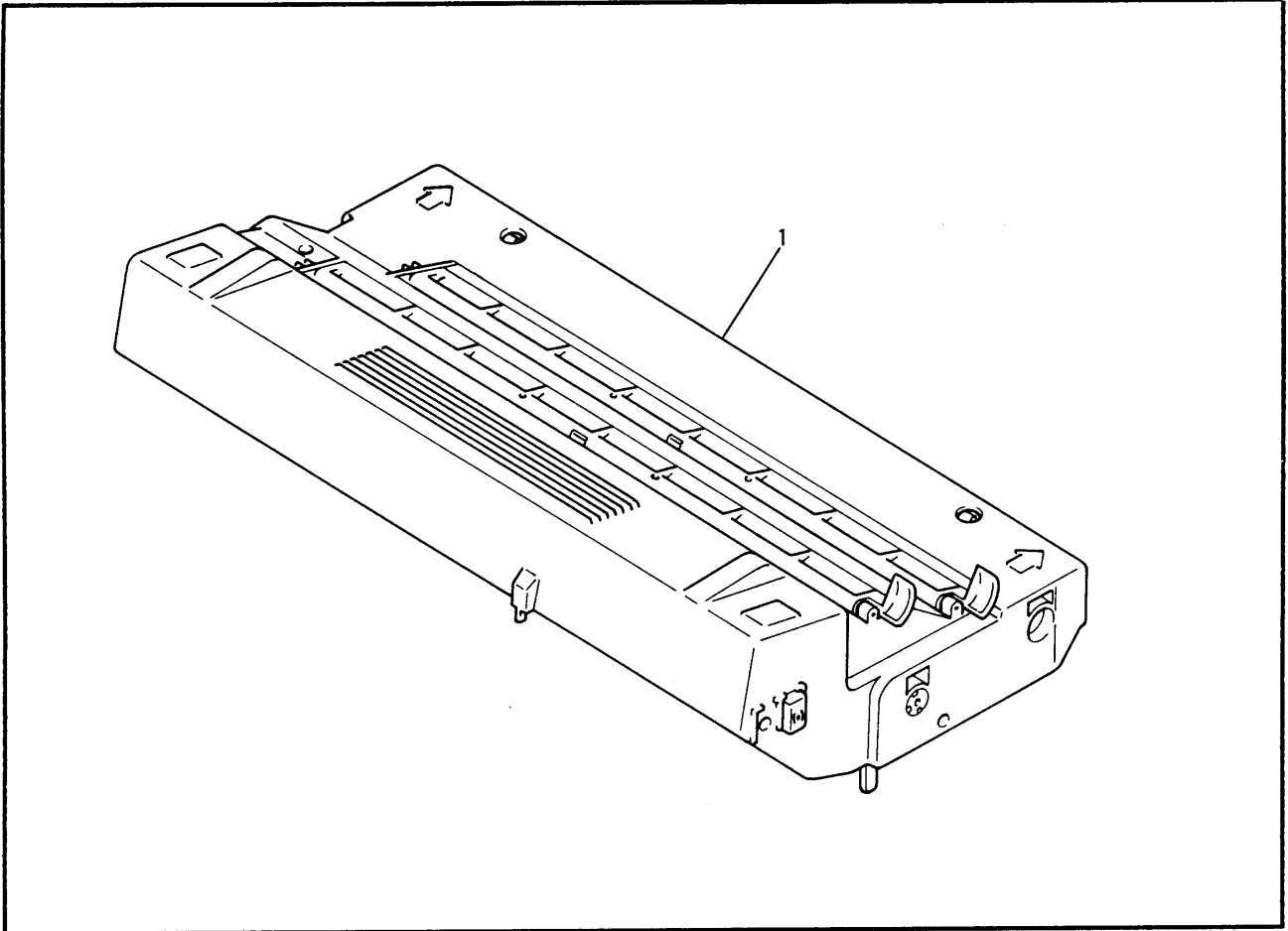
REF.NO.	SYMBOL	CODE	Q'TY	DESCRIPTION	RMKS
1		UH0045001	1	POWER SUPPLY HARNESS ASSY 4P (MAIN)	
2		UH0046001	1	POWER SUPPLY HARNESS ASSY 7P (ENGIN)	
3		UH0047001	1	HARNESS ASSY XHP-7 (HI-VLT)	
4		UH0048001	1	HARNESS ASSY PHR-5 (FIXG)	
5		UH0049001	1	HARNESS ASSY PHR-16 (SCNR)	
6		UH0053001	1	HARNESS ASSY 4P-OP (SIZE SW)	
7		UH0052001	1	SWITCH HARNESS ASSY P28 (PANEL)	
8		UH0053001	1	HARNESS ASSY 4P-OP (SIZE SW)	
9		UH0044000	1	FLAT CABLE, 12PX122	
10		UH0831001	1	HARNESS ASSY 10P-OP-A (RELAY OP)	
11		U22703001	2	SCREW, PAN (WASHER) M3X12DB	

54T-S21-070

## 21. POWER CORDS

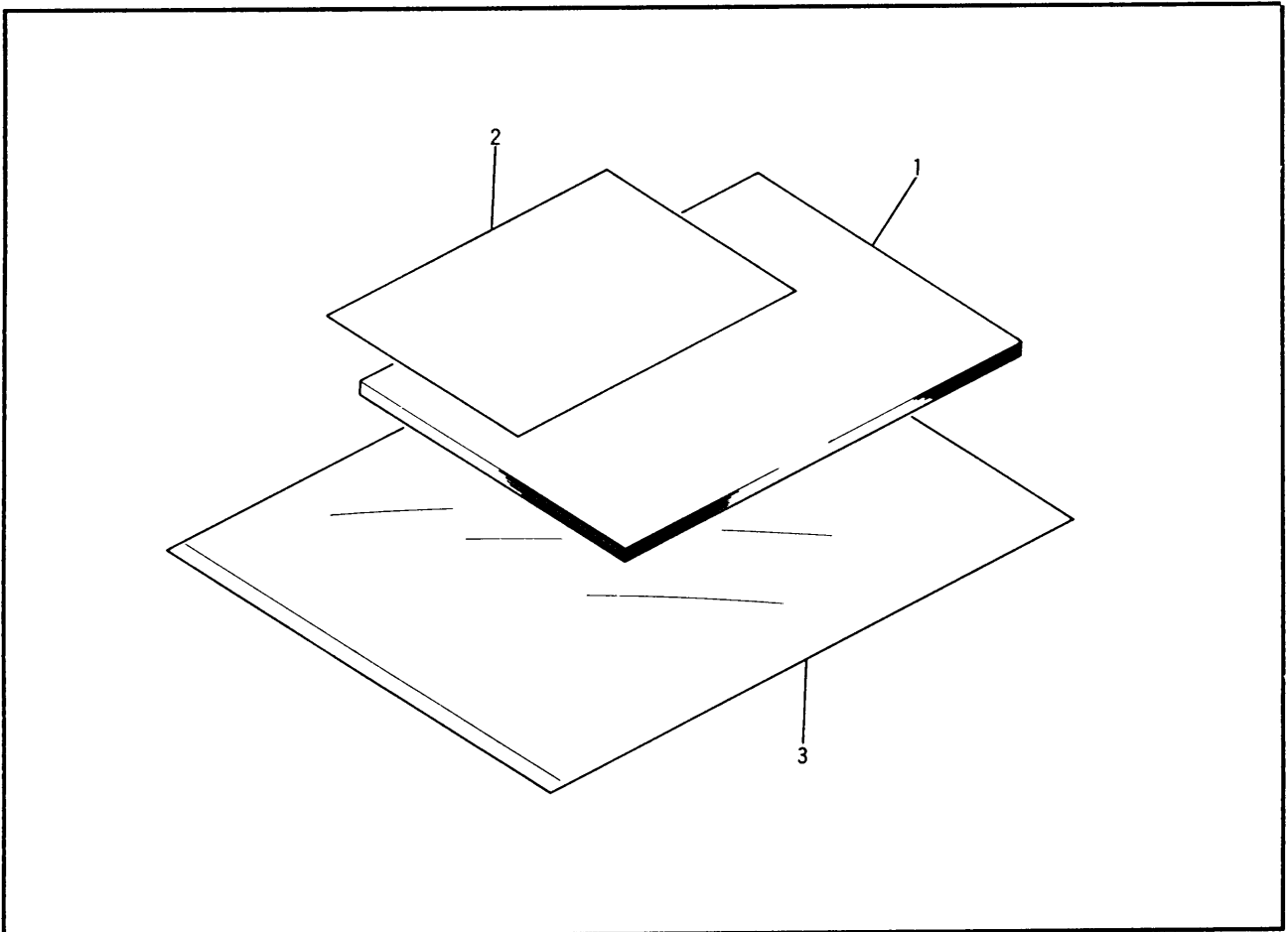
REF.NO.	SYMBOL	CODE	Q'TY	DESCRIPTION	RMKS
1A		U34318001	1	AC CORD #2, VDE/FRA/NLD	
1B		U34319001	1	AC CORD #3, SEV	
1C		U34323001	1	AC CORD #7, SAA	
1D		UA6187001	1	AC CORD 3P, BS	
1E		UH0081001	1	AC CORD, 115 UL/CSA	
1F		U34320001	1	AC CORD #4, BS	
1G		U34321001	1	AC CORD #5, DEMKO	
1H		U34322001	1	AC CORD #6, 220V ISRAEL	
1I		U34342001	1	AC CORD #8, BS/SINGAPORE	

## 22. EP-S CARTRIDGE



54T-S21-002

## 23. DOCUMENTS



## 22. EP-S CARTRIDGE

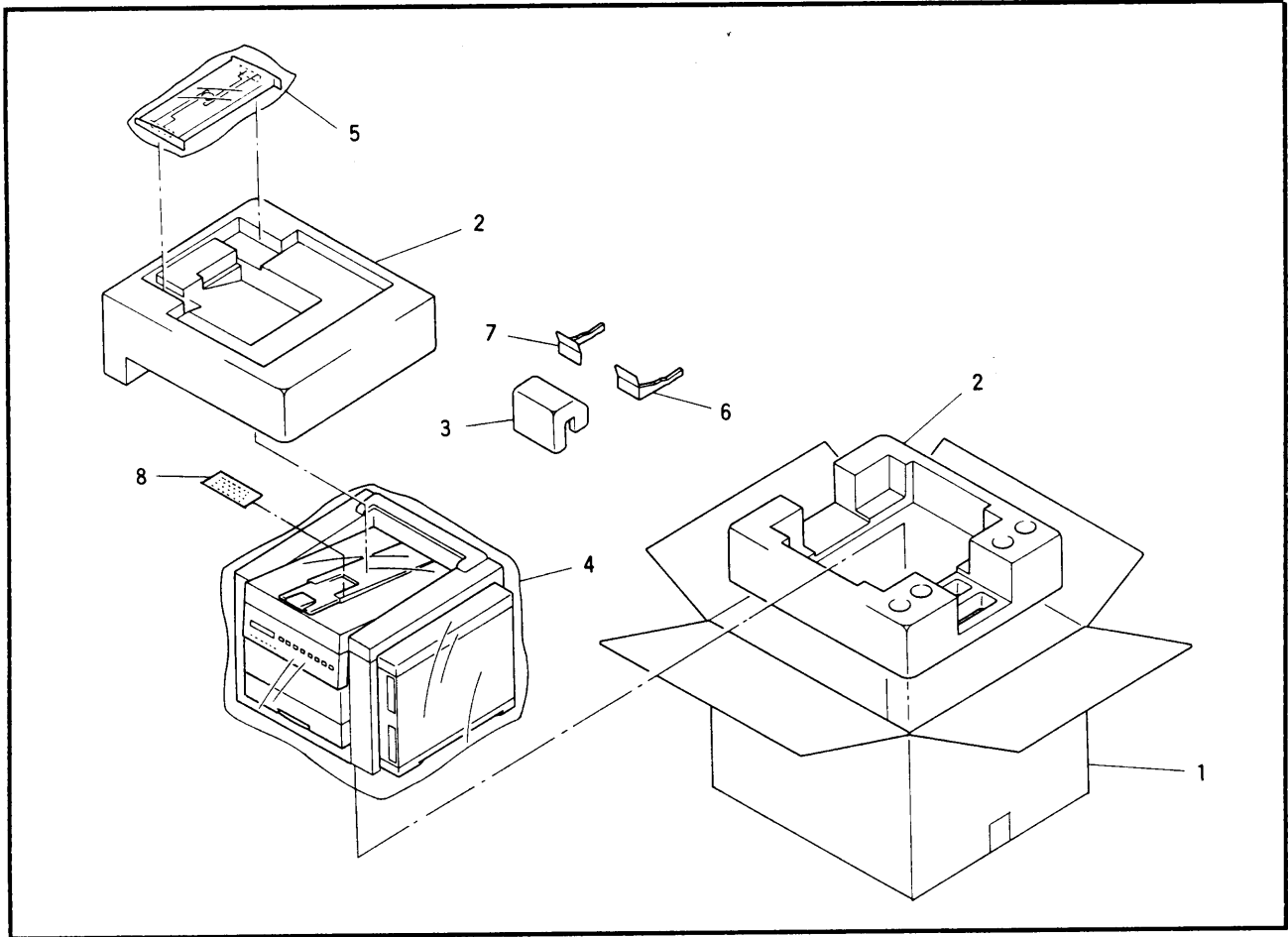
REF.NO.	SYMBOL	CODE	Q'TY	DESCRIPTION	RMKS
1		U12002001	1	EP-S CARTRIDGE UNIT. (SP)	

54T-S21-002

## 23. DOCUMENTS

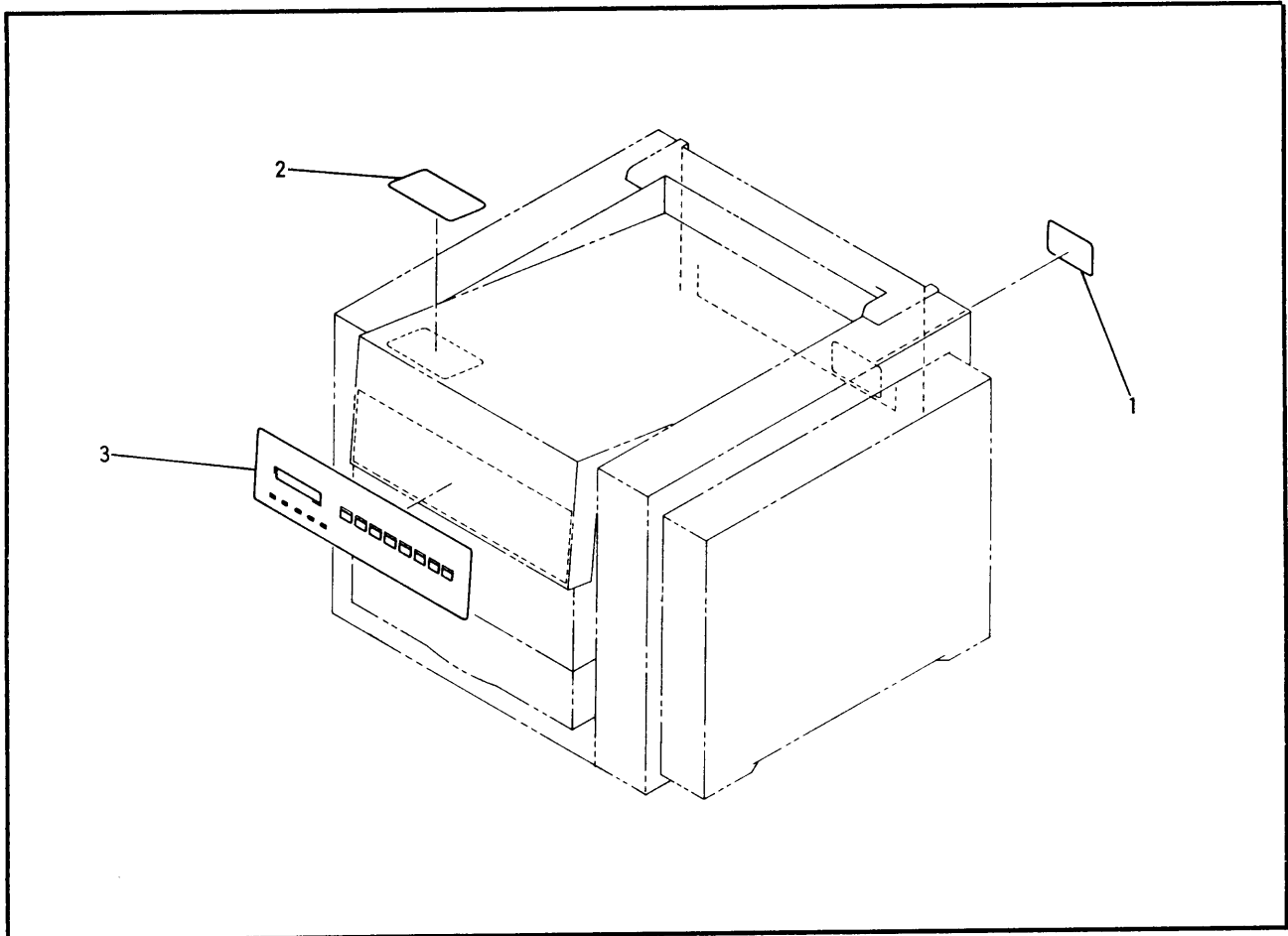
REF.NO.	SYMBOL	CODE	Q'TY	DESCRIPTION	RMKS
1		UH0752001	1	USER'S MANUAL, ENGLISH	
1		UH0752004	1	USER'S MANUAL, FRENCH	
1		UH0752005	1	USER'S MANUAL, DUTCH	
1		UH0752007	1	USER'S MANUAL, GERMAN	
1		UH0752008	1	USER'S MANUAL, GBR.ENGLISH	
1		UH0752013	1	USER'S MANUAL, NOREGIAN	
2		596617081	1	WARRANTY CARD, ENGLISH	
2		U27998001	1	WARRANTY CARD, AUS	
2		UA6174001	1	WARRANTY CARD, FRANCE	
2		237703001	1	WARRANTY CARD, DUTCH	
2		UD0373001	1	WARRANTY CARD, CAN	
3		U62002000	1	BAG, 260X340 (MANUAL)	
3		562778000	1	BAG, BS	

## 24. PACKING MATERIALS



54T-S21-930

## 25. LABELS



**24. PACKING MATERIALS**

REF.NO.	SYMBOL	CODE	Q'TY	DESCRIPTION	RMKS
1		U63949001	1	CARTON (NO BRAND)	
1		U63953001	1	CARTON	
2		U63950001	1	STYROFORM PAD ASSY S	
3		U63866000	1	STYROFOAM PAD	
4		U63785000	1	BAG, 900X800 (BODY)	
4		U63969000	1	BAG, 900X800 W/HOLE (BODY)	
5		462625000	1	BAG, 150X350 (TRAY)	
6		U63867001	1	SPACER R	
7		U63885001	1	SPACER L	
8		U62092001	1	CAUTION LABEL 24 (US)	
8		163528001	1	CAUTION LABEL (BS)	

54T-S21-930

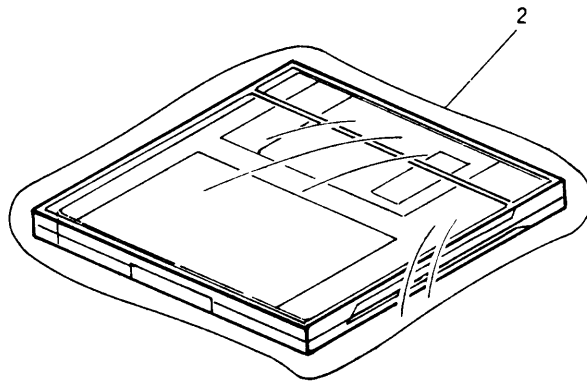
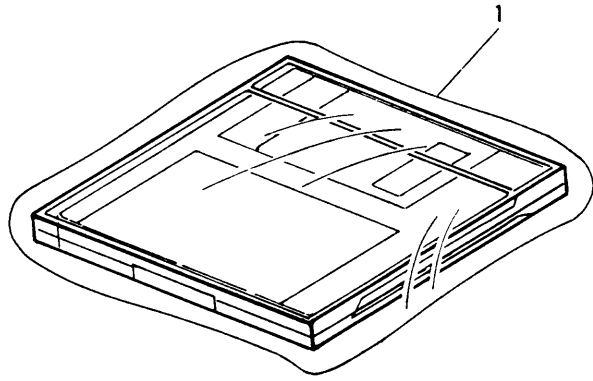
**25. LABELS**

REF.NO.	SYMBOL	CODE	Q'TY	DESCRIPTION	RMKS
1		UH0741001	1	CLASS 1 LABEL	
2		UH0742001	1	TUV LABEL	
3		UH0697001	1	PANEL SHEET PS	

54T-S21-930



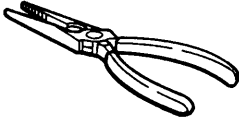
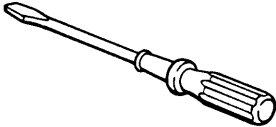
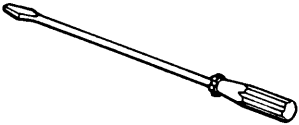
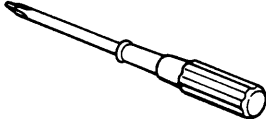
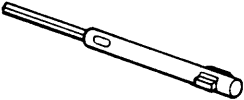
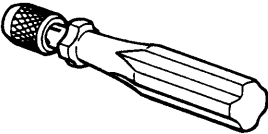

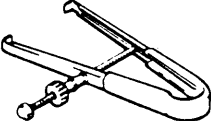
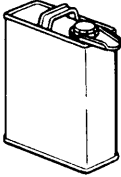
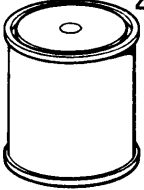

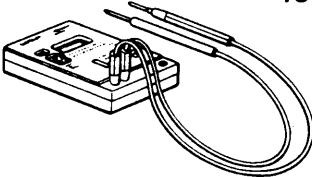
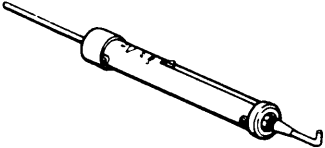
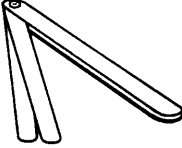
26. FONT DISK



26. FONT DISK

REF.NO.	SYMBOL	CODE	Q'TY	DESCRIPTION	RMKS
1		UH0082001	1	FONT DISK #S6	
2		UH0084001	1	FONT DISK #S7	

27. ADJUSTING TOOL KIT

<p>1</p> 	<p>9,10</p> 	<p>11,12</p> 
<p>13,14</p> 	<p>26</p> 	<p>27</p> 
<p>13</p> 	<p>96</p> 	<p>42-B, I</p> 
<p>43-G, I</p> 	<p>44</p> 	<p>46</p> 
<p>78</p> 	<p>87</p> 	



INDEX

CODE	REF.NO.	PAGE
UA2475000	2 - 50	4
UA3358000	12 - 33	22
UA4803000	14 - 5	26
UA4815000	14 - 32	26
UA4820000	14 - 11	26
UA4926000	14 - 4	26
UA4927000	15 - 2	28
	16 - 2	30
UA4933000	15 - 27	28
	16 - 25	30
UA4941000	14 - 28	26
UA5012000	15 - 22	28
UA5018000	14 - 31	26
UA5150000	14 - 3	26
UA6174001	23 - 2	38
UA6187001	21 - 1D	36
UB2088000	13 - 14	24
UB2095000	13 - 36	24
UC1822001	1 - 4	2
	2 - 2	4
	4 - 2	8
UC2512000	13 - 11	24
UD0373001	23 - 2	38
UD0899001	3 - 22	6
	6 - 23	12
UH0001000	13 - 2	24
UH0002000	13 - 1	24
UH0003000	13 - 8	24
UH0004000	13 - 15	24
UH0005000	13 - 16	24
UH0006000	13 - 32	24
UH0008000	13 - 34	24
UH0009000	13 - 35	24
UH0011000	13 - 47	24
UH0012000	13 - 53	24
UH0013000	13 - 54	24
UH0014000	13 - 55	24
UH0015000	13 - 58	24
UH0016000	13 - 60	24
UH0017000	13 - 65	24
UH0020000	12 - 8	22
UH0021000	12 - 10	22
UH0022000	12 - 17	22
	14 - 66	26
UH0026000	12 - 18	22
UH0027000	12 - 19	22
UH0029000	14 - 27	26
UH0031000	14 - 63	26
UH0032000	14 - 64	26
UH0033000	14 - 65	26
UH0034000	15 - 21	28
	16 - 20	30
UH0035000	15 - 24	28
	16 - 22	30
UH0041000	12 - 28	22
UH0044000	20 - 9	36
UH0045001	20 - 1	36
UH0046001	20 - 2	36
UH0047001	20 - 3	36
UH0048001	20 - 4	36
UH0049001	20 - 5	36
UH0052001	20 - 7	36
UH0053001	20 - 6	36
	20 - 8	36
UH0060001	12 - 34	22
UH0071000	13 - 13	24
UH0072000	13 - 9	24

CODE	REF.NO.	PAGE
UH0073000	13 - 12	24
UH0074000	13 - 56	24
UH0078000	12 - 21	22
UH0079000	12 - 22	22
UH0080000	12 - 23	22
UH0081001	21 - 1E	36
UH0082001	26 - 1	42
UH0084001	26 - 2	42
UH0122001	12 - 7-19	22
UH0125001	12 - 20-33	22
UH0138001	19 - 1	34
UH0151001	13 - 1-65	24
UH0155001	12 - 7-33	22
UH0156001	14 - 1-67	26
UH0157001	15 - 1-33	28
UH0158001	16 - 1-30	30
UH0159001	17 - 1	32
UH0160001	18 - 1	34
UH0161001	18 - 1	34
UH0264000	2 - 36	4
	8 - 5	16
UH0326001	1 - 1	2
UH0327001	1 - 2	2
UH0331001	1 - 3	2
UH0335001	1 - 5	2
UH0341001	2 - 10	4
UH0344001	2 - 1	4
UH0345001	2 - 4	4
UH0348001	2 - 5	4
UH0351001	2 - 7	4
UH0352001	2 - 8	4
UH0353001	2 - 9	4
UH0363000	2 - 19	4
UH0367001	2 - 17	4
UH0369001	2 - 11	4
UH0372001	2 - 13	4
UH0375001	2 - 16	4
UH0378001	2 - 15	4
UH0383001	2 - 20	4
UH0384001	2 - 21	4
UH0385001	2 - 26	4
UH0386001	2 - 23	4
UH0387001	2 - 24	4
UH0388001	2 - 12	4
UH0389001	2 - 28	4
UH0392001	2 - 30	4
UH0393001	2 - 31	4
UH0398001	2 - 33	4
UH0403001	2 - 34	4
UH0407001	2 - 37	4
UH0408001	2 - 38	4
UH0409001	2 - 39	4
UH0410000	2 - 41	4
UH0411001	2 - 42	4
UH0412001	2 - 44	4
UH0414000	3 - 1	6
UH0415000	3 - 3	6
UH0416000	3 - 5	6
UH0417001	3 - 6	6
UH0418001	3 - 11	6
UH0423001	3 - 13	6
	3 - 14	6
UH0427001	3 - 14	6
UH0430001	3 - 8	6
UH0431001	3 - 9	6
UH0432001	3 - 17	6
UH0433001	3 - 20	6

INDEX

CODE	REF.NO.	PAGE
UH0434001	4 - 3	8
UH0436001	2 - 45	4
UH0438001	2 - 47	4
UH0439001	18 - 5	34
UH0440000	4 - 11	8
UH0441001	2 - 29	4
	4 - 8	8
UH0443001	4 - 1	8
UH0444001	4 - 7	8
UH0447001	4 - 9	8
UH0448001	4 - 10	8
UH0452001	4 - 5	8
UH0454001	5 - 1	10
UH0467000	5 - 2	10
UH0468001	5 - 3	10
UH0469001	5 - 4	10
UH0470001	5 - 5-16	10
UH0477001	5 - 5	10
UH0478001	5 - 7	10
UH0479000	5 - 8	10
	8 - 2	16
UH0480001	5 - 9	10
UH0481000	5 - 10	10
UH0482000	5 - 11	10
UH0483000	5 - 12	10
UH0484000	5 - 13	10
UH0485000	5 - 14	10
UH0486001	5 - 15	10
UH0491000	5 - 16	10
UH0492001	5 - 18	10
UH0493001	5 - 19	10
UH0494001	5 - 20	10
UH0495000	5 - 21	10
UH0496001	5 - 22	10
UH0499001	5 - 24	10
UH0500000	5 - 25	10
UH0501000	5 - 28	10
UH0502001	5 - 29	10
UH0503001	5 - 30	10
UH0504001	18 - 7	34
UH0510000	5 - 32	10
UH0511001	18 - 6	34
UH0515001	6 - 1	12
UH0516001	6 - 2	12
UH0517001	6 - 3	12
	6 - 6	12
UH0520001	6 - 4	12
UH0521000	6 - 5	12
	6 - 8	12
UH0524001	6 - 7	12
UH0526001	6 - 24	12
UH0529001	6 - 25	12
UH0530001	6 - 26	12
UH0532001	6 - 27	12
UH0534001	6 - 9	12
UH0535001	6 - 10	12
UH0536001	6 - 11	12
UH0537001	6 - 12	12
UH0538001	6 - 13	12
UH0539001	6 - 14	12
UH0540001	6 - 15	12
UH0542001	6 - 16	12
UH0543001	6 - 17	12
UH0544001	6 - 20	12
UH0545001	6 - 21	12
UH0546001	6 - 29-35	12
UH0547001	6 - 29	12

CODE	REF.NO.	PAGE
UH0548001	6 - 30	12
UH0553000	6 - 32	12
UH0554000	6 - 33	12
UH0555000	6 - 34	12
UH0556000	6 - 35	12
UH0560001	7 - 1	14
UH0561001	7 - 2	14
UH0566001	8 - 1	16
UH0584000	8 - 3	16
UH0585001	8 - 4	16
UH0588000	8 - 6	16
UH0589001	8 - 8-13	16
UH0590001	8 - 8	16
UH0592001	8 - 9	16
UH0593001	8 - 10	16
UH0594001	8 - 14	16
UH0595000	8 - 15	16
UH0596001	8 - 17	16
UH0601001	8 - 19	16
UH0604001	8 - 21-28	16
UH0605001	8 - 21	16
UH0606001	8 - 22	16
UH0612001	8 - 23	16
UH0613001	8 - 24	16
UH0614001	8 - 25	16
UH0615001	8 - 26	16
UH0616001	8 - 30	16
UH0618001	8 - 31	16
UH0619001	8 - 33	16
UH0624001	8 - 35	16
UH0625001	8 - 37	16
UH0627001	8 - 13	16
UH0635000	5 - 33	10
UH0636000	5 - 34	10
UH0637001	5 - 35	10
UH0640001	5 - 36	10
UH0643001	9 - 1	18
UH0650000	9 - 3	18
UH0655000	9 - 5	18
UH0657001	9 - 6	18
UH0658001	9 - 7	18
UH0659001	9 - 9	18
UH0660001	9 - 11	18
UH0661001	9 - 12	18
UH0662001	9 - 18	18
UH0663001	5 - 38	10
UH0664000	5 - 39	10
UH0665001	9 - 2	18
UH0666001	9 - 13	18
UH0667001	9 - 14	18
UH0668001	9 - 15	18
UH0669001	9 - 16	18
UH0670000	9 - 10	18
UH0671001	9 - 4	18
UH0673000	8 - 39	16
UH0677001	12 - 1	22
UH0678001	12 - 2	22
UH0679001	12 - 3	22
UH0681001	12 - 4	22
UH0682001	12 - 5	22
UH0683001	12 - 6	22
UH0687001	17 - 2	32
UH0688001	17 - 3	32
UH0690001	17 - 4	32
UH0691000	17 - 5	32
UH0692000	17 - 6	32
UH0693000	17 - 7	32

INDEX

CODE	REF.NO.	PAGE
UH0697001	25 - 3	40
UH0699000	10 - 3	20
UH0700001	10 - 1	20
UH0721001	5 - 40	10
UH0727000	8 - 11	16
UH0728000	8 - 32	16
UH0729001	8 - 29	16
UH0741001	25 - 1	40
UH0742001	25 - 2	40
UH0743001	3 - 23	6
UH0744001	3 - 25	6
UH0745001	3 - 25	6
UH0746001	3 - 26	6
UH0747000	3 - 27	6
UH0748001	3 - 24	6
UH0749001	5 - 41	10
UH0752001	23 - 1	38
UH0752004	23 - 1	38
UH0752005	23 - 1	38
UH0752007	23 - 1	38
UH0752008	23 - 1	38
UH0752013	23 - 1	38
UH0783001	11 - 1	20
UH0784001	11 - 1	20
UH0785001	6 - 1-27	12
UH0786001	2 - 11-12	4
UH0787001	9 - 1-18	18
UH0831001	20 - 10	36
UH0833000	5 - 42	10
UK0006000	14 - 8	26
UK0013000	15 - 25	28
	16 - 23	30
UK0014000	15 - 26	28
	16 - 24	30
UK0026001	14 - 6	26
UK0028001	14 - 7	26
UK0051000	14 - 2	26
UK0054000	14 - 1	26
UK0062000	14 - 26	26
UK0063000	14 - 30	26
UK0146000	14 - 9	26
UK0147000	14 - 10	26
UK0196000	14 - 68	26
UK0198000	14 - 69	26
U03412001	6 - 28	12
	7 - 4	14
U04255000	13 - 59	24
U05404002	2 - 6	4
	2 - 14	4
	4 - 12	8
	5 - 23	10
	5 - 26	10
	6 - 22	12
	12 - 37	22
	12 - 38	22
	17 - 8	32
U06923003	6 - 37	12
	12 - 36	22
U07620002	2 - 3	4
U09119001	2 - 40	4
U10389000	12 - 16	22
	14 - 59	26
	15 - 19	28
	16 - 18	30
U11776001	3 - 12	6
U12002001	22 - 1	38
U12017001	18 - 9	34

CODE	REF.NO.	PAGE
U12122000	14 - 24	26
	15 - 9	28
	16 - 9	30
U12158000	15 - 20	28
	16 - 19	30
U12574001	7 - 3	14
U12737000	15 - 23	28
	16 - 21	30
U12739000	14 - 52	26
U13542001	15 - 30	28
	15 - 32	28
	16 - 26	30
	16 - 28	30
U13624001	15 - 28	28
	15 - 31	28
	15 - 33	28
	16 - 27	30
	16 - 29	30
U13945000	15 - 3	28
	16 - 3	30
U13959000	14 - 13	26
U15858000	15 - 4	28
	16 - 4	30
U15864000	14 - 61	26
U17297000	13 - 6	24
	14 - 12	26
U17535000	13 - 62	24
U17826000	13 - 7	24
U17978001	12 - 20	22
U17989001	12 - 31	22
U17990000	12 - 32	22
U21852001	6 - 31	12
U22701001	2 - 18	4
	2 - 48	4
	3 - 21	6
	4 - 4	8
	17 - 10	32
U22703001	3 - 18	6
	10 - 2	20
	20 - 11	36
U27736001	7 - 5	14
U27998001	23 - 2	38
U32041001	14 - 67	26
U32740000	13 - 57	24
U32987001	13 - 63	24
U33553000	14 - 62	26
U34318001	21 - 1A	36
U34319001	21 - 1B	36
U34320001	21 - 1F	36
U34321001	21 - 1G	36
U34322001	21 - 1H	36
U34323001	21 - 1C	36
U34342001	21 - 11	36
U40270000	13 - 10	24
U50553001	18 - 8	34
U51247001	5 - 27	10
U62002000	23 - 3	38
U62092001	24 - 8	40
U63785000	24 - 4	40
U63866000	24 - 3	40
U63867001	24 - 6	40
U63885001	24 - 7	40
U63949001	24 - 1	40
U63950001	24 - 2	40
U63953001	24 - 1	40
U63969000	24 - 4	40
U73515001	9 - 8	18

INDEX

CODE	REF.NO.	PAGE
U73515001	9 - 17	18
U74231001	5 - 6	10
U74234001	5 - 17	10
U79967000	15 - 1	28
	16 - 1	30
U82235001	6 - 19	12
U86592000	13 - 64	24
W00330000	13 - 61	24
Y06807613	13 - 38	24
Y11502110	14 - 53	26
Y12202001	14 - 54	26
Y21010001	14 - 55	26
	15 - 17	28
	16 - 16	30
Y21510001	14 - 56	26
Y31021001	12 - 15	22
	14 - 57	26
	15 - 18	28
	16 - 17	30
Y31031001	14 - 58	26
Y41011602	13 - 50	24
Y41012801	12 - 14	22
Y41014601	13 - 51	24
Y41095602	14 - 50	26
Y42211602	13 - 52	24
	14 - 51	26
	15 - 16	28
	16 - 15	30
Y43395602	13 - 48	24
Y44793602	13 - 49	24
Y61014061	14 - 48	26
Y61015061	14 - 49	26
Y61027041	14 - 44	26
Y61028041	14 - 45	26
Y61037041	14 - 47	26
Y64728041	14 - 46	26
	15 - 10	28
	16 - 10	30
Y71011110	13 - 42	24
Y72201110	13 - 39	24
Y72701110	13 - 40	24
Y73901110	13 - 41	24
Y74711110	13 - 43	24
Y81020110	12 - 29	22
Y81032410	13 - 45	24
Y81042400	12 - 30	22
	13 - 46	24
Y82220110	13 - 44	24
021300205	15 - 29	28
048020346	6 - 18	12
048030346	5 - 31	10
048040346	2 - 32	4
	2 - 35	4
	8 - 7	16
	8 - 28	16
	8 - 34	16
048050346	8 - 18	16
	8 - 27	16
	8 - 36	16
048060346	2 - 22	4
	2 - 25	4
	2 - 43	4
	2 - 46	4
	8 - 12	16
	8 - 16	16
053400806	11 - 2	20
	18 - 3	34

CODE	REF.NO.	PAGE
060300606	6 - 36	12
	17 - 9	32
061300606	18 - 2	34
090101120	12 - 11	22
	14 - 33	26
090102120	12 - 13	22
	14 - 35	26
090103120	14 - 40	26
	15 - 14	28
	16 - 30	30
090105120	15 - 15	28
	16 - 14	30
090123120	14 - 41	26
090151120	15 - 12	28
	16 - 12	30
090152120	14 - 36	26
090223120	14 - 42	26
090330120	15 - 11	28
	16 - 11	30
090330322	13 - 37	24
090331120	12 - 12	22
090332120	14 - 37	26
090333120	14 - 43	26
090392120	14 - 38	26
090472120	14 - 39	26
	15 - 13	28
	16 - 13	30
090561120	14 - 34	26
091100004	14 - 14	26
	15 - 5	28
	16 - 5	30
091100006	14 - 15	26
091100007	13 - 3	24
091100008	15 - 6	28
	16 - 6	30
091100014	12 - 7	22
091100021	14 - 16	26
091100032	14 - 17	26
091100244	15 - 7	28
	16 - 7	30
091100245	15 - 8	28
	16 - 8	30
091100273	14 - 18	26
091300140	13 - 4	24
091500008	14 - 19	26
091500020	14 - 20	26
091500032	14 - 21	26
091500074	14 - 22	26
091500245	14 - 23	26
092004011	14 - 25	26
094101120	13 - 17	24
094102120	13 - 21	24
094103120	13 - 25	24
094105120	13 - 28	24
094121120	13 - 18	24
094152120	12 - 26	22
	13 - 22	24
094153120	12 - 27	22
094189320	13 - 33	24
094222120	13 - 23	24
094225120	13 - 29	24
094331320	12 - 24	22
094332110	13 - 30	24
094333120	13 - 26	24
094392110	13 - 31	24
094471120	12 - 25	22
	13 - 19	24



INDEX

CODE	REF.NO.	PAGE
094472120	13 - 24	24
094473120	13 - 27	24
094821120	13 - 20	24
128614001	14 - 29	26
163528001	24 - 8	40
236387001	12 - 9	22
237703001	23 - 2	38
410343001	13 - 5	24
462625000	24 - 5	40
552909000	2 - 49	4
562778000	23 - 3	38
571672001	1 - 6	2
	2 - 27	4
	3 - 2	6
	3 - 4	6
	3 - 7	6
	3 - 10	6
	3 - 16	6
	4 - 6	8
	5 - 37	10
	5 - 43	10
	8 - 20	16
	8 - 38	16
	12 - 35	22
	13 - 66	24
	14 - 70	26
	15 - 34	28
	16 - 31	30
	18 - 4	34
	19 - 2	34
571823001	3 - 19	6
576457000	14 - 60	26
596617081	23 - 2	38

## **Section II. Parts List for HL-10V**

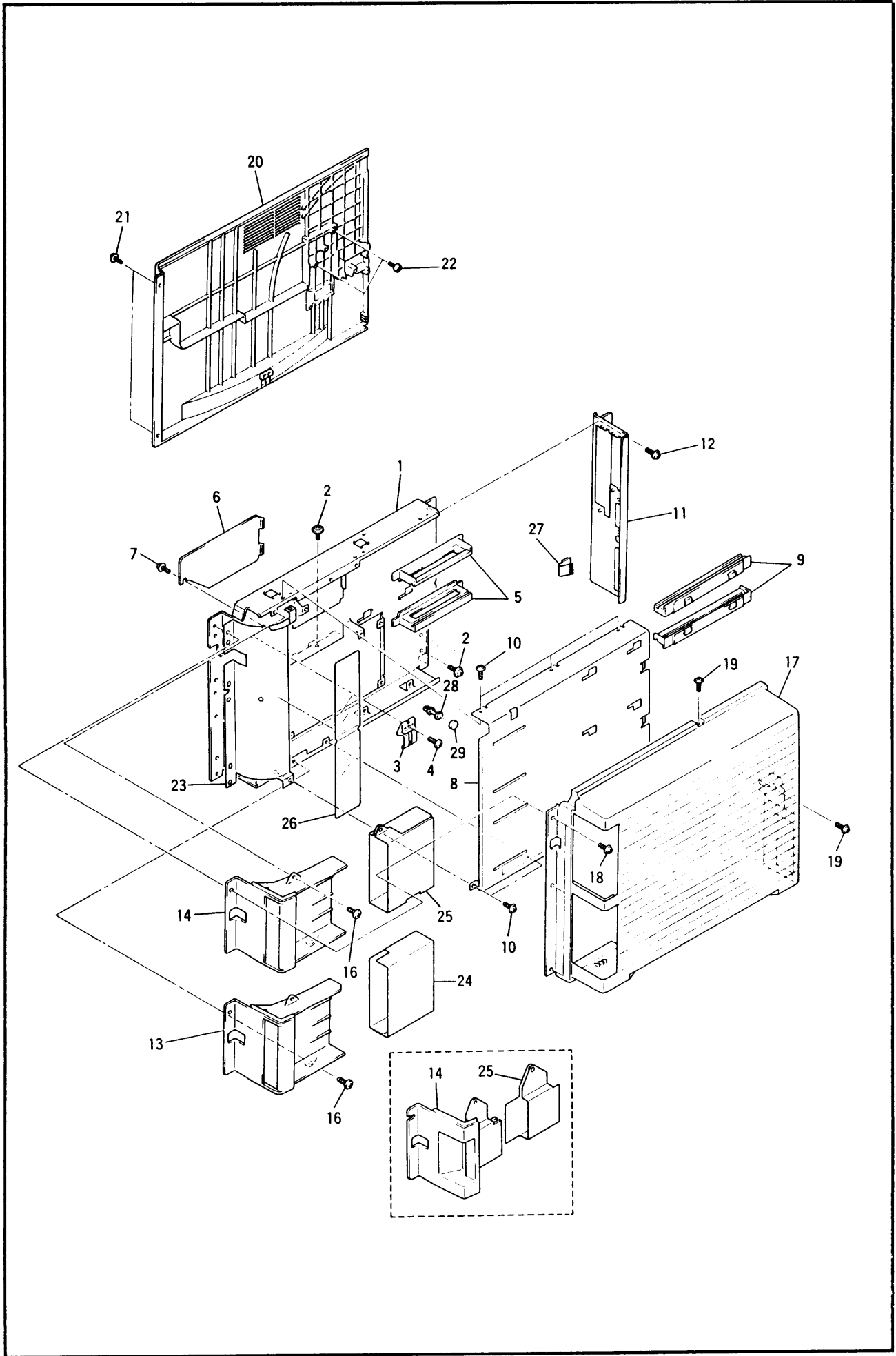
Section II covers only parts or assemblies different from that of Section I.

For the structures which are not included in this section, refer to Section I.

# CONTENTS

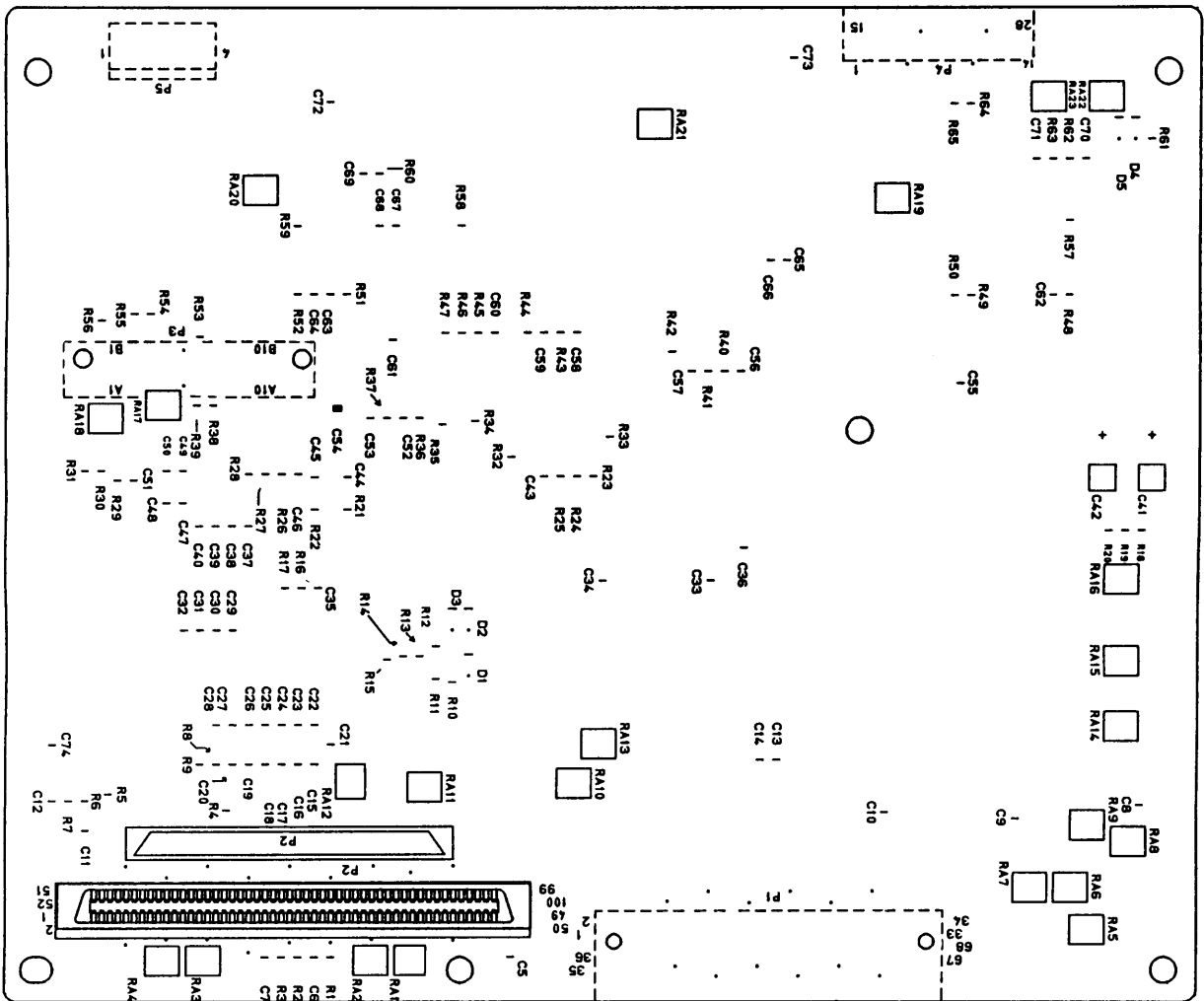
1. SIDE COVER .....	1
2. VIDEO CONTROL PCB .....	3
3. INTERFACE PCB V-#1 .....	5
4. INTERFACE PCB V-#2 .....	7
5. PACKING MATERIALS .....	9
6. LABELS .....	9
7. DOCUMENTS .....	11
INDEX .....	13

# 1. SIDE COVER

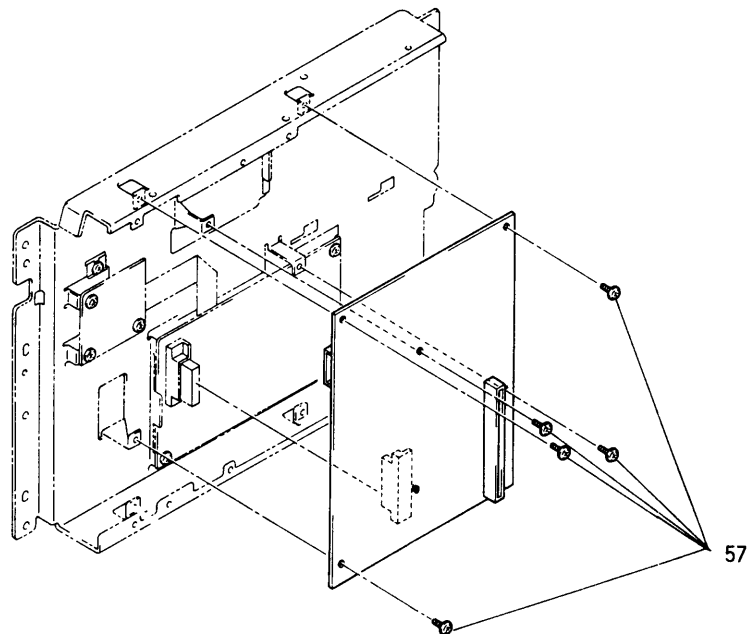
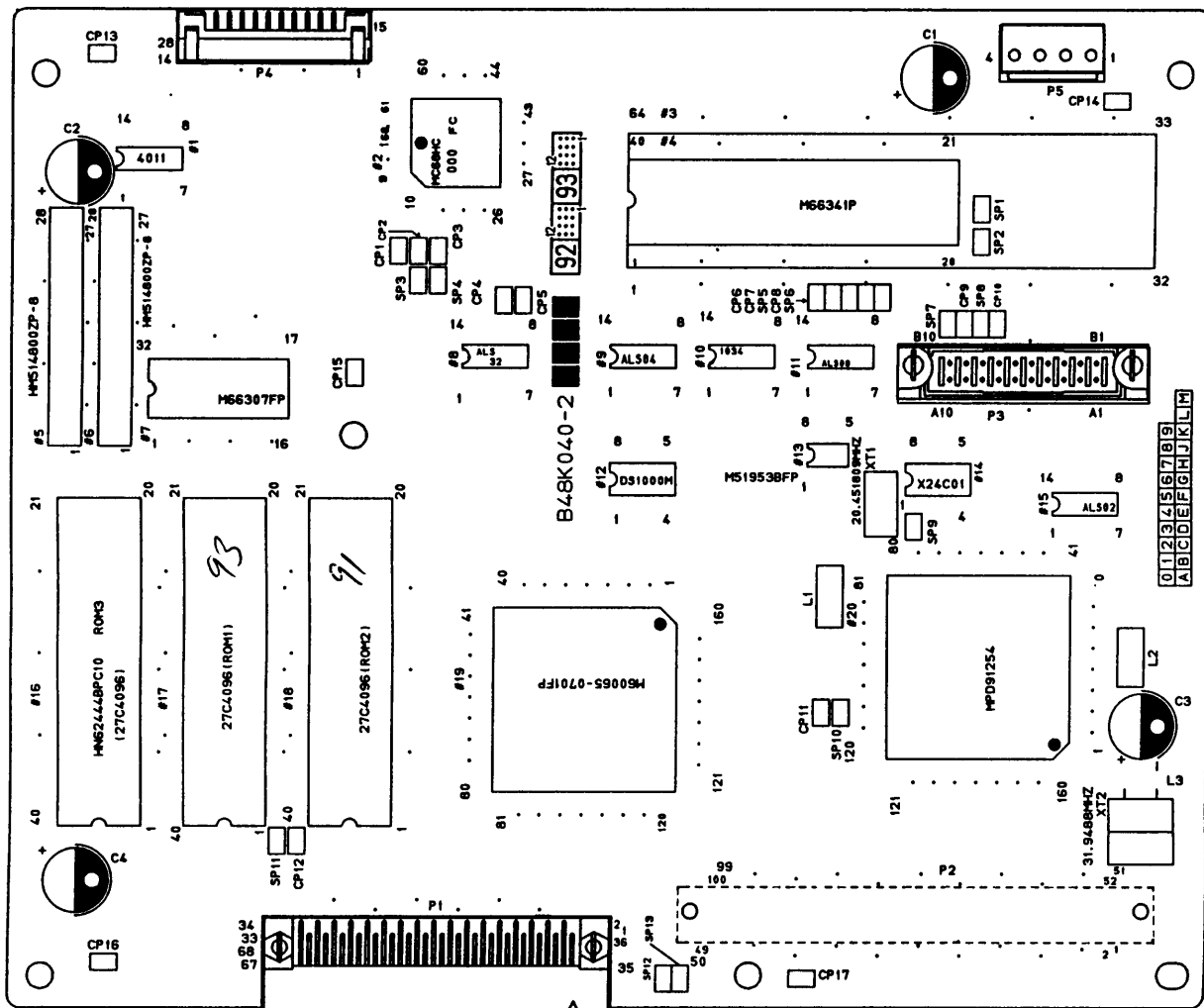


1. SIDE COVER

REF.NO.	SYMBOL	CODE	Q'TY	DESCRIPTION	RMKS
1		UH0414000	1	PCB HOLDER	
2		571672001	3	SCREW, FLANGE M3X5	
3		UH0415000	1	TONNER SENSE ACTUATOR	
4		571672001	1	SCREW, FLANGE M3X5	
5		UH0416000	2	MEMORY BOARD GUIDE	
6		UH0417001	1	ROM LID	
7		571672001	1	SCREW, FLANGE M3X5	
8		UH0430001	1	INSULATING PLATE	
9		UH0431001	2	I/O GUIDE	
10		571672001	5	SCREW, FLANGE M3X5	
11		UH0418001	1	I/F HOLDER PLATE ASSY	
12		U11776001	1	SCREW, FLANGE M3X3.5	
13		UH0423001	1	F-CARTRIDGE GUIDE ASSY (100V/200V)	
14		UH0423001	1	F-CARTRIDGE GUIDE ASSY (100V)	
14		UH0427001	1	IC CARD GUIDE ASSY (200V)	
16		571672001	2	SCREW, FLANGE M3X5	
17		UH0432001	1	SIDE COVER R, GRAY1227	
18		U22703001	3	SCREW, PAN (WASHER) M3X12DB	
19		571823001	2	SCREW, PAN (WASHER) M3X7DB	
20		UH0433001	1	SIDE COVER L, GRAY1227	
21		052300605	2	SCREW, PAN M3X6	
22		UD0899001	2	TAPTITE, BIND B M3X6	
23		UH0722001	1	PCB CUSHION	
24		UH0723000	1	PCB SPACER	
25		UH0743001	1	SHIELD SHEET FRONT	
26		UH0748001	1	SHIELD SHEET FONT B	
27		UH0745001	1	SHIELD SHEET IC CARD	
27		UH0744001	1	SHIELD SHEET FONT A	
28		UH0746001	1	INSULATING SHEET	
29		UH0747001	1	I/F GROUND PLATE	



### 2. VIDEO CONTROL PCB



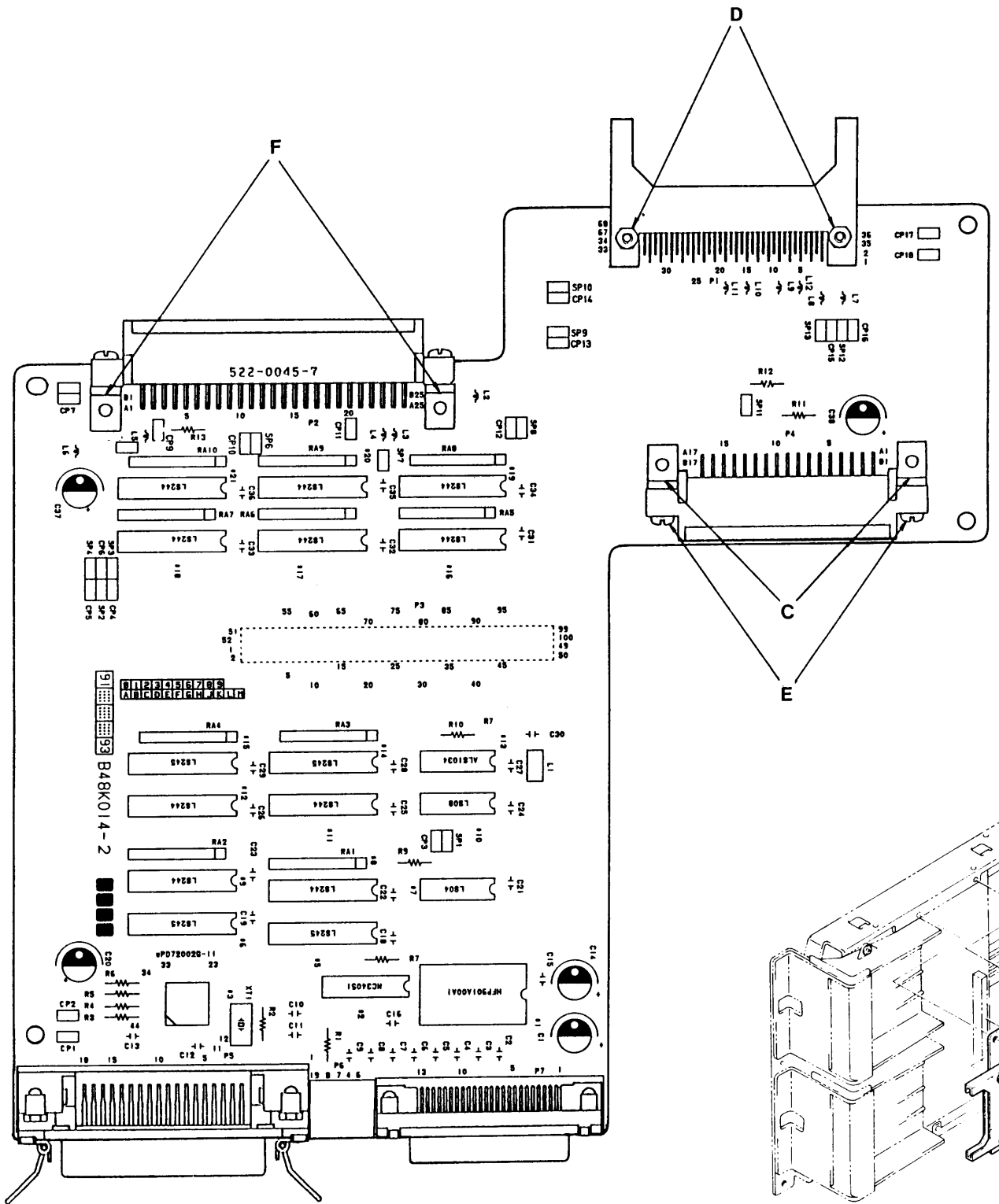
## 2. VIDEO CONTROL PCB

REF.NO.	SYMBOL	CODE	Q'TY	DESCRIPTION	RMKS
1-56	B48K040-200C	UH0152001	1	MAIN PCB ASSY (SP)	
1	#2	UK0578000	1	MPU:MC68000FC16	
2	#5,6	UK0003000	2	DRAM:HM514800ZP	<i>Rsm1 - UK 00593001-</i>
3	#7	UH0059000	1	LSI:M66307FP	<i>Rsm2 - UK 0591000</i>
4	#17	UH0062001	1	EPROM HL-10 1	
5	#16	UK0006000	1	MASK ROM:HN62444BPC10	
6	#20	UA5150000	1	LSI:MPD91254	
7	#19	UK0580000	1	GATE ARRAY:M60065-0701FP	
8	#4	UA4820000	1	LSI:M66341P	
9	#14	UA5009000	1	EEPROM:X24C01	
10	XT1	UH0029000	1	CRYSTAL OSCILLATOR, 20.45MHZ	
11	XT2	UK0581000	1	CRYSTAL OSCILLATOR, 31.9488MHZ	
12	#12	UK0579000	1	LSI:DS1000M-100	
13	#13	UB2083000	1	RESET:M51953BFP	
14	#15	091520002	1	IC:74ASL02F	
15	#9	091520004	1	IC:74ALS04F	
16	#11	091520008	1	IC:74ALS08F	
17	#8	091520032	1	IC:74ALS32	
18	#10	091521034	1	IC:74ALS1034	
19	#1	092504011	1	IC:TC4011BF	
20	D1,2,3,4,5	UB2088000	5	DIODE, :RLS73	
21	RA9,10,13, 17,18	UH0043000	5	RESISTOR ARRAY, J680Y4	
22	RA11,12,22, 23	UB2094000	4	RESISTOR ARRAY, J101X4C	
23	RA2,3,4	UH0008000	3	RESISTOR ARRAY, J102Y4	
24	RA5-8,14-16, 19-21	UH0009000	10	RESISTOR ARRAY, J472Y4	
25	RA1	UB2095000	1	RESISTOR ARRAY, J103Y4C	
26	R7	094000120	1	FIXED RESISTOR, G-C110J000	
27	R22-26,28, 30-35,38,39, 42-48,53,56, 61	094680120	24	FIXED RESISTOR, G-C110J680	
28	R3,8	094101120	2	FIXED RESISTOR, G-C110J101	
29	R12	094561120	1	FIXED RESISTOR, G-C110J561	
30	R1,2,9,37	094102120	4	FIXED RESISTOR, G-C110J102	
31	R11	094152120	1	FIXED RESISTOR, G-C110J152	
32	R6,10	094332120	2	FIXED RESISTOR, G-C110J332	
33	R4,5,15-20, 27,29,36,40, 51,52,54,55, 57-60,64,65	094472120	22	FIXED RESISTOR, G-C110J472	
34	R21	094562120	1	FIXED RESISTOR, G-C110J562	
35	R14,41,49, 50	094103120	4	FIXED RESISTOR, G-C110J103	
36	R13	094223120	1	FIXED RESISTOR, G-C110J223	
37	R63	094104120	1	FIXED RESISTOR, G-C110J104	
38	R62	094105120	1	FIXED RESISTOR, G-C110J105	
39	C11,12,44, 45	Y71501110	4	CAPACITOR, CERAMIC 50C150CH	
40	C33,65	Y72201110	2	CAPACITOR, CERAMIC 50C220CH	
41	C17-20,24- 27	Y71011110	8	CAPACITOR, CERAMIC 50C101CH	
42	C36,57	Y71511110	2	CAPACITOR, CERAMIC 50C151CH	
43	C6,7,14-16, 22,23,28,35, 53,55,64,66, 68,71	Y81020110	15	CAPACITOR, CERAMIC 50C102	
44	C29-32,37- 40,47-50	Y81032410	12	CAPACITOR, CERAMIC 50C103	
45	C8-10,21,34, 43,46,51,52, 56,58,60-62, 67,70,72,73	Y81042400	18	CAPACITOR, CERAMIC 25C104	
46	C54	UH0030000	1	CAPACITOR, CERAMIC 16C105	
47	C41,42	U13964000	2	CAPACITOR, TANTALUM 21C335K	
48	C1-4	Y42211601	4	CAPACITOR, ALUM-ELEC 10B221	
49	P3	UH0033000	1	CONNECTOR:53315-020	
50	P1	UH0031000	1	CONNECTOR:FX2-68P	
51	P2	UH0032000	1	CONNECTOR:FX2CA-100P	
52	P5	U32041001	1	CONNECTOR:B4P-VH	
53	P4	UH0022000	1	CONNECTOR:LY20-28P	
54	#14	UA5018000	1	IC SOCKET:ICO-083S	
55	#17,18	UA4815000	2	IC SOCKET:ICO406S8A	
56	L1,2	UK0197000	2	FILTER:DSS310-101	
57		571672001	5	SCREW, FLANGE M3X5	





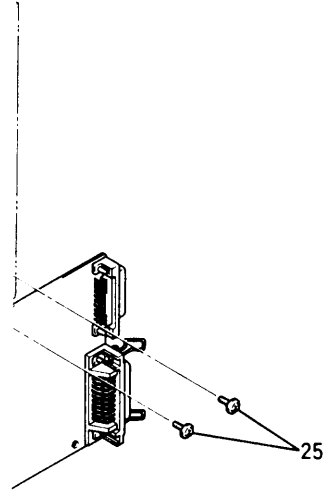
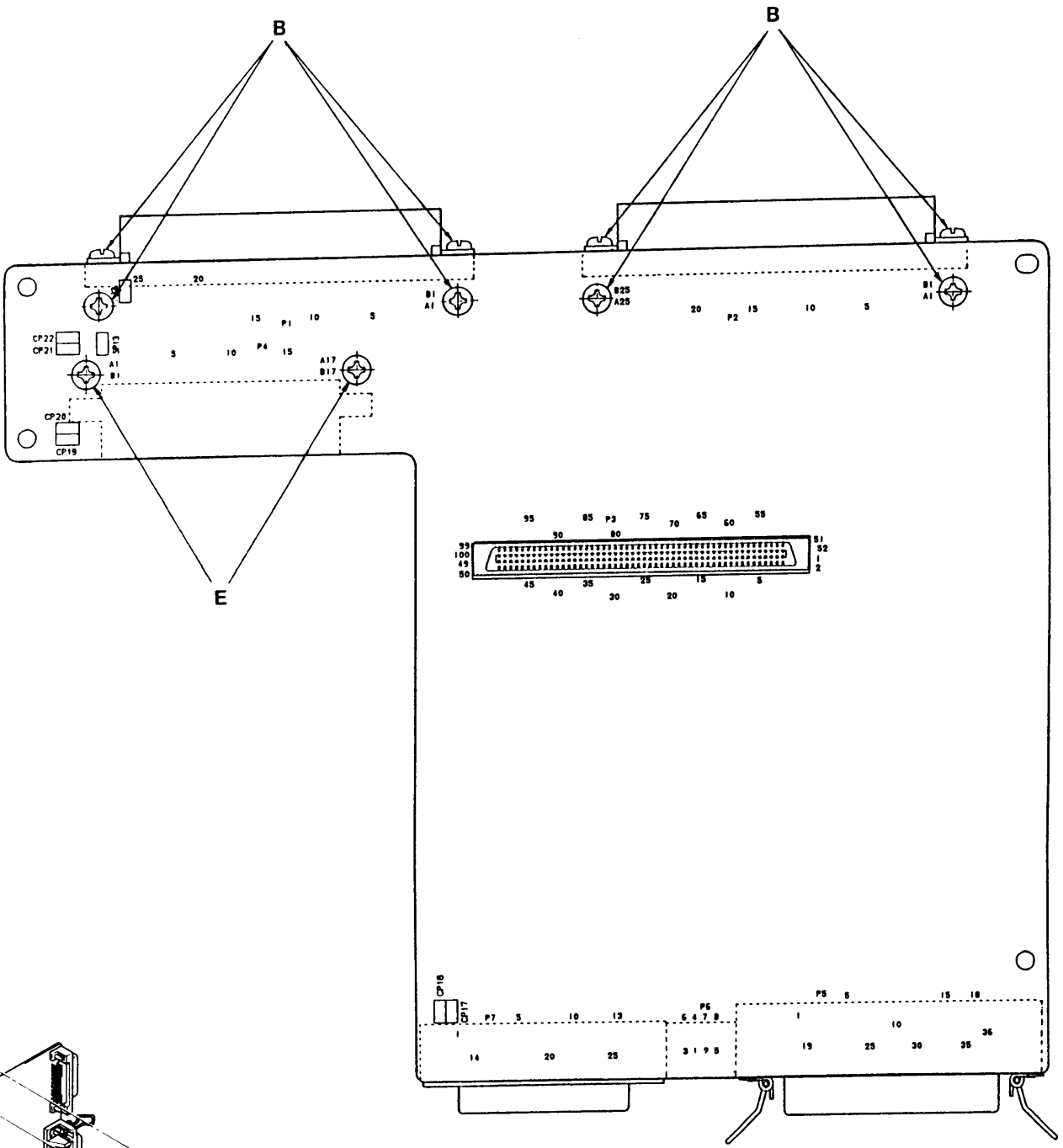
### 3. INTERFACE PCB V-#1



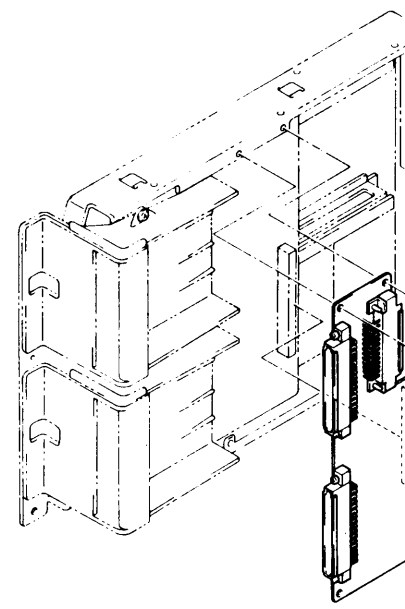
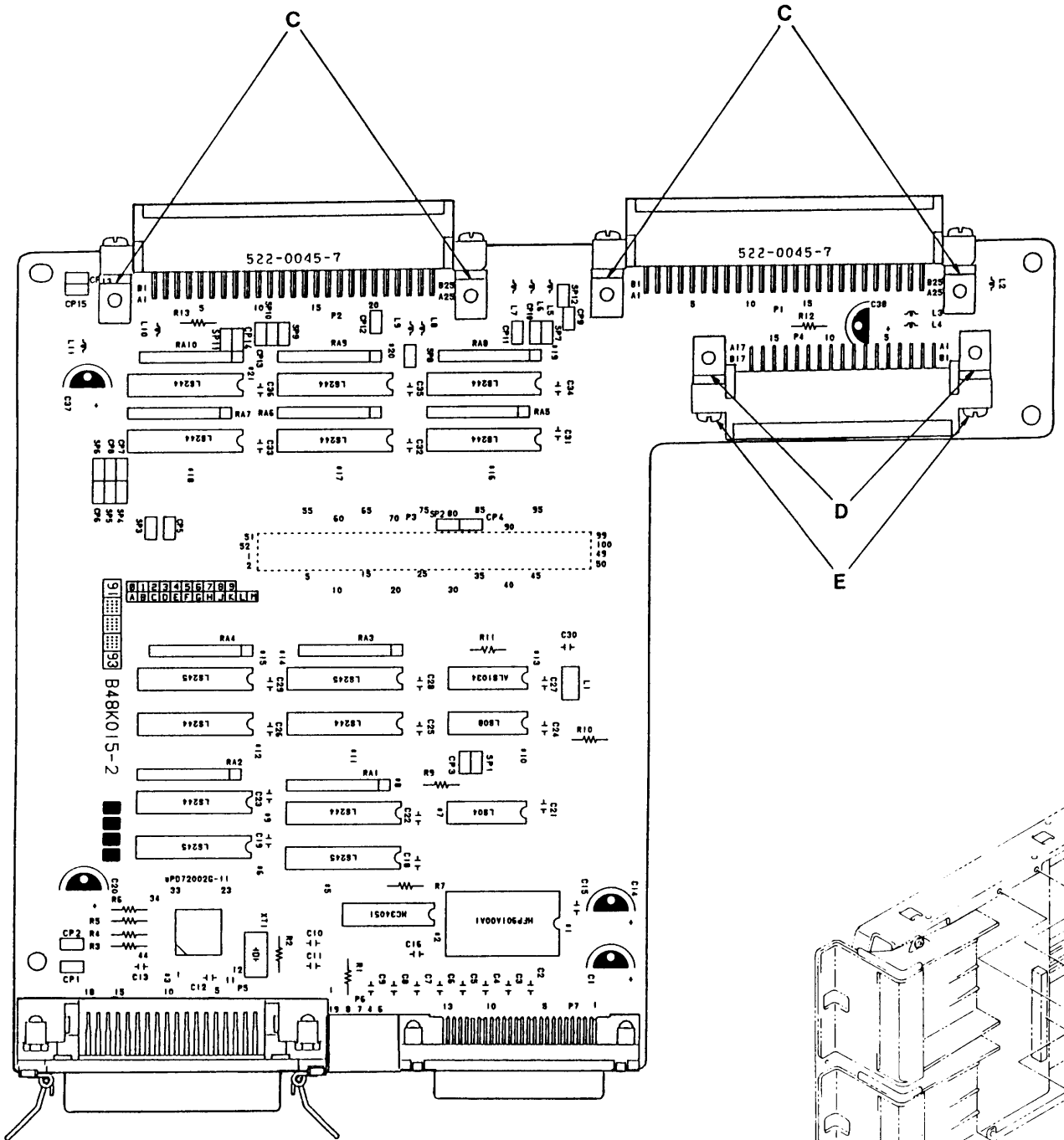
### 3. INTERFACE PCB V-#1

REF.NO.	SYMBOL	CODE	Q'TY	DESCRIPTION	RMKS
1-27	B48K014-201A	UH0153001	1	I/F PCB ASSY #1 (SP)	
1	#1	U79967000	1	I/F MODULE:HFP901A	
2	#7	091100004	1	IC:74LS04	
3	#10	091100008	1	IC:74LS08	
4	#16-21	091100244	6	IC:74LS244	
5	#5,6,14,15	091100245	4	IC:74LS245	
6	#13	U12122000	1	IC:74ALS1034	
7	RA1,2,3,4	Y64728041	4	RESISTOR ARRAY, 472X8J	
8	RA5-10	Y61038041	6	RESISTOR ARRAY, 103X8J	
9	R10	090330120	1	FIXED RESISTOR, D-A14YJ330	
10	R11,12,13	090103120	3	FIXED RESISTOR, D-A14YJ103	
11	C1,14,20,37,38	Y42211602	5	CAPACITOR, ALUM-ELEC 10B221	
12	C30	Y21010001	1	CAPACITOR, CERAMIC 50B101	
13	C2,3,4,5	Y31021001	4	CAPACITOR, CERAMIC 25B102	
14	C15,18,19,21,24,27-29,31-36	U10389000	14	CAPACITOR, CERAMIC 25B104Z-249	
15	L1	U12158000	1	FILTER:ED21-B271M	
16	P3	UH0034000	1	CONNECTOR:FX2CA-100S	
17	P1	UA5012000	1	CONNECTOR:175649-2	
18	P2	U12737000	1	CONNECTOR:CR22B-50D	
19	P4	UH0035000	1	CONNECTOR:CR22-34D	
20	P5	UK0013000	1	CONNECTOR:57LE-D171	
21	P7	UK0014000	1	CONNECTOR:FCN-675J025	
22	B	U13624001	2	SCREW, PAN M3X9	
23	C	021300205	2	NUT, 2 M3	
24	D	U13542001	2	L HINGE STOPPER	
25	E	U13624001	4	SCREW, PAN M3X9	
26	F	U13542001	2	L HINGE STOPPER	
27	G	U13624001	4	SCREW, PAN M3X9	
28		571672001	2	SCREW, FLANGE M3X5	

*Emp*



# 4. INTERFACE PCB V-#2

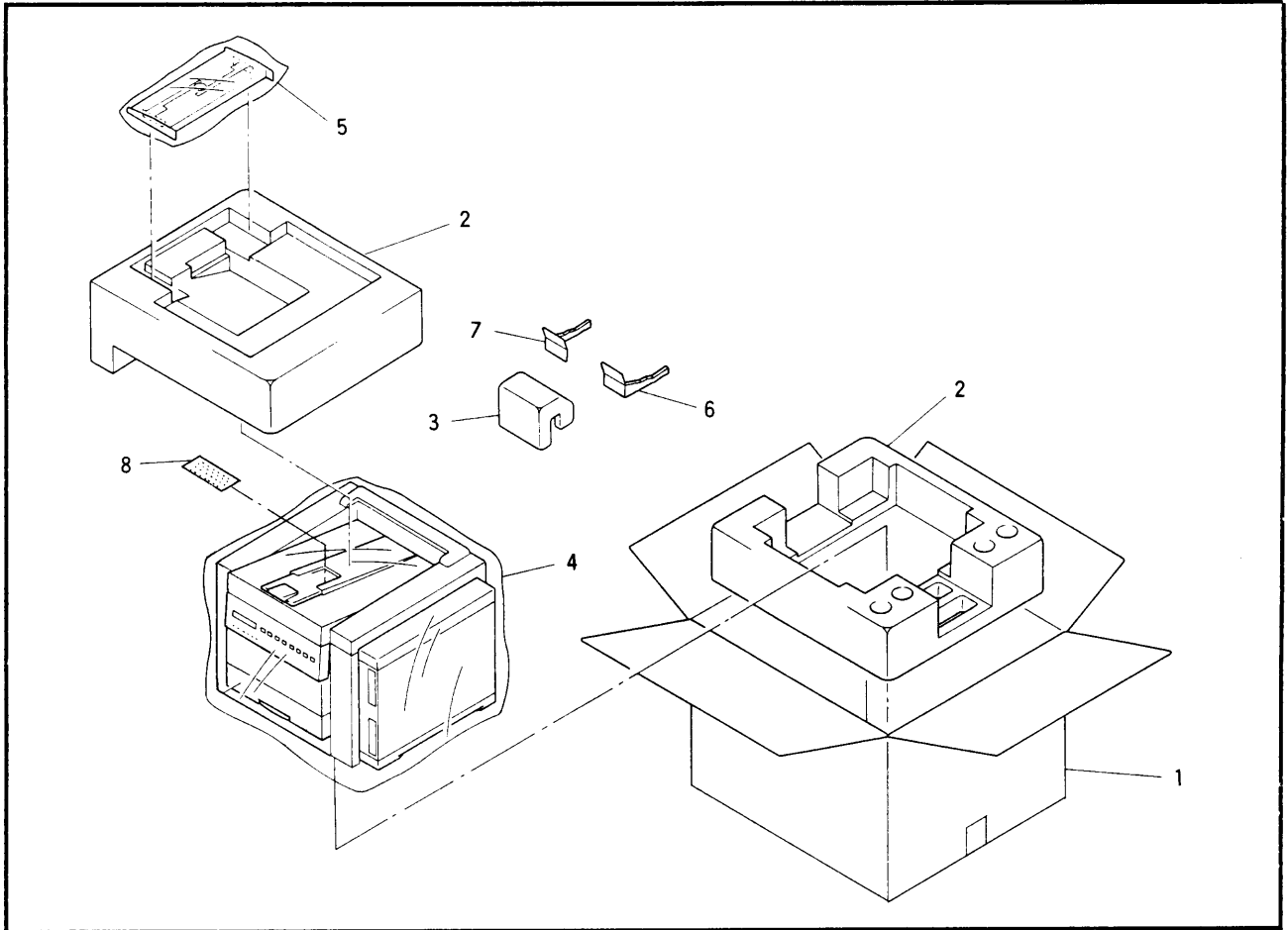


4. INTERFACE PCB V-#2

u)

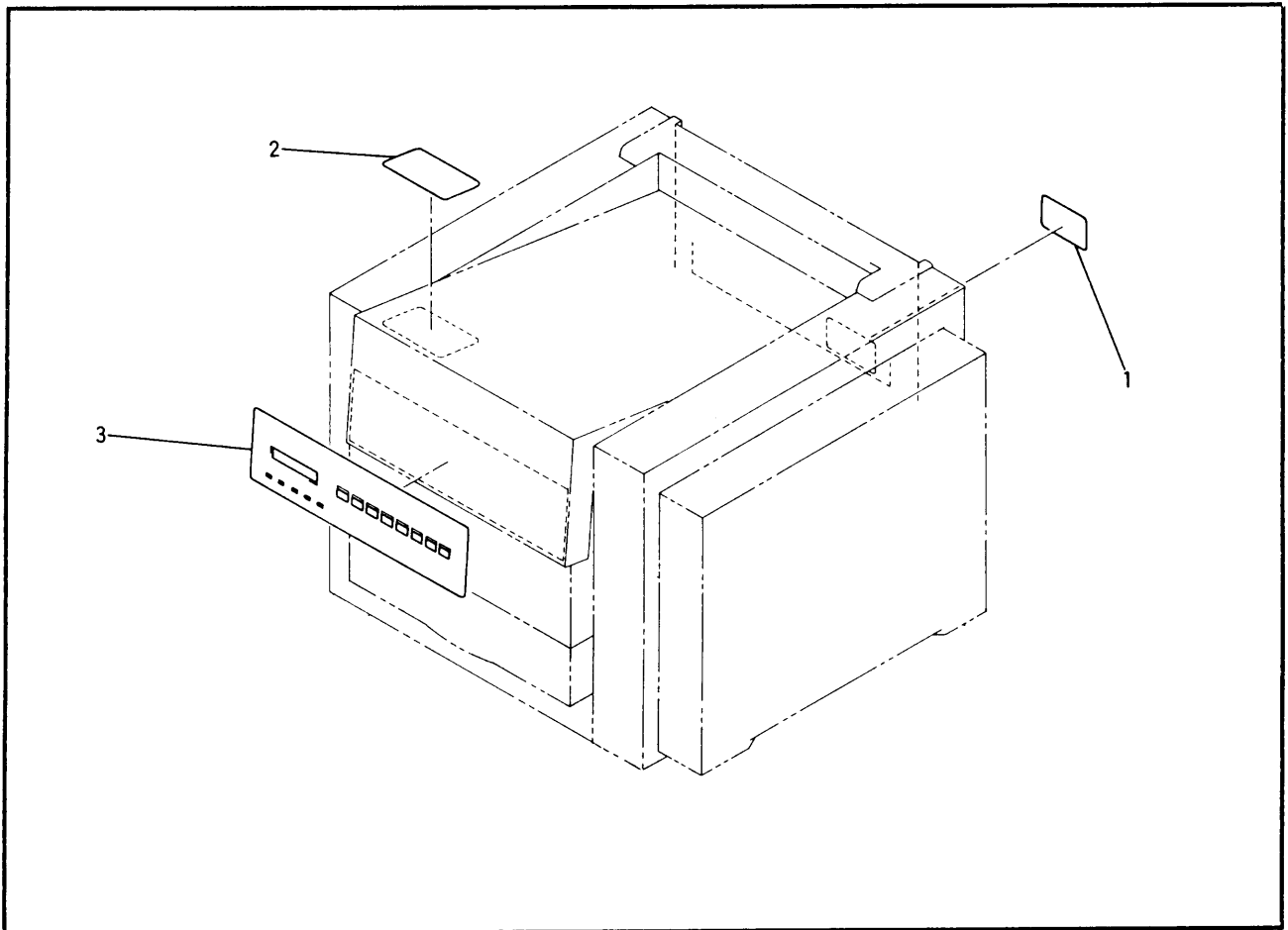
REF.NO.	SYMBOL	CODE	Q'TY	DESCRIPTION	RMKS
1-24	B48K015-202A	UH0154001	1	I/F PCB ASSY #2 (SP)	
1	#1	U79967000	1	I/F MODULE:HFP901A	
2	#7	091100004	1	IC:74LS04	
3	#10	091100008	1	IC:74LS08	
4	#16-21	091100244	6	IC:74LS244	
5	#5,6,14,15	091100245	4	IC:74LS245	
6	#13	U12122000	1	IC:74ALS1034	
7	RA1,2,3,4	Y64728041	4	RESISTOR ARRAY, 472X8J	
8	RA5-10	Y61038041	6	RESISTOR ARRAY, 103X8J	
9	R11	090330120	1	FIXED RESISTOR, D-A14YJ330	
10	R10,12,13	090103120	3	FIXED RESISTOR, D-A14YJ103	
11	C1,14,20,37,38	Y42211602	5	CAPACITOR, ALUM-ELEC 10B221	
12	C2,3,4,5	Y31021001	4	CAPACITOR, CERAMIC 25B102	
13	C15,18,19,21,24,27-29,31-36	U10389000	14	CAPACITOR, CERAMIC 25B104Z-249	
14	L1	U12158000	1	FILTER:ED21-B271M	
15	P3	UH0034000	1	CONNECTOR:FX2CA-100S	
16	P1,2	U12737000	2	CONNECTOR:CR22B-50D	
17	P4	UH0035000	1	CONNECTOR:CR22-34D	
18	P5	UK0013000	1	CONNECTOR:57LE-D171	
19	P7	UK0014000	1	CONNECTOR:FCN-675J025	
20	C	U13542001	4	L HINGE STOPPER	
21	B	U13624001	8	SCREW, PAN M3X9	
22	D	U13542001	2	L HINGE STOPPER	
23	E	U13624001	4	SCREW, PAN M3X9	
24	C30	Y21010001	1	CAPACITOR, CERAMIC 50B101	
25		571672001	2	SCREW, FLANGE M3X5	

## 5. PACKING MATERIALS



54T-S01-930

## 6. LABELS



54T-S01-930

### 5. PACKING MATERIALS

REF.NO.	SYMBOL	CODE	Q'TY	DESCRIPTION	RMKS
1		U63949001	1	CARTON (NO BRAND)	
1		U63952001	1	CARTON	
2		U63950001	1	STYROFORM PAD ASSY S	
3		U63866000	1	STYROFOAM PAD	
4		U63785000	1	BAG, 900X800 (BODY)	
4		U63969000	1	BAG, 900X800 W/HOLE (BODY)	
5		462625000	1	BAG, 150X350 (TRAY)	
6		U63867001	1	SPACER R	
7		U63885001	1	SPACER L	
8		U62092001	1	CAUTION LABEL 24 (US)	
8		163528001	1	CAUTION LABEL BS	

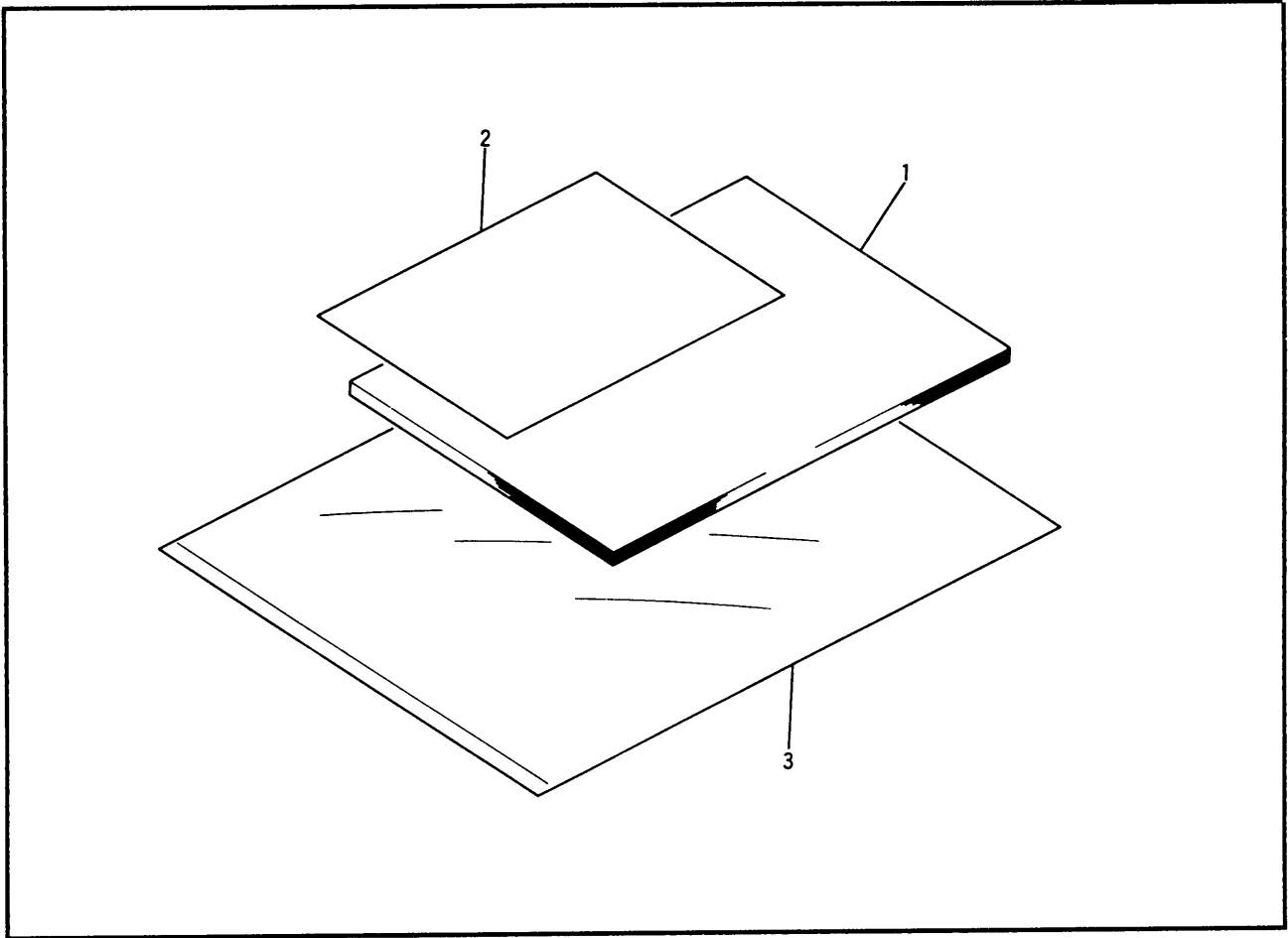
54T-S01-930

### 6. LABELS

REF.NO.	SYMBOL	CODE	Q'TY	DESCRIPTION	RMKS
1		UH0741001	1	CLASS 1 LABEL	
2		UH0742001	1	TUV LABEL	
3		UH0696001	1	PANEL SHEET V	



7. DOCUMENTS



54T-S01-920

## 7. DOCUMENTS

REF.NO.	SYMBOL	CODE	Q'TY	DESCRIPTION	RMKS
1		UH0751001	1	USER'S MANUAL, ENGLISH	
1		UH0751004	1	USER'S MANUAL, FRENCH	
1		UH0751005	1	USER'S MANUAL, DUTCH	
1		UH0751007	1	USER'S MANUAL, GERMAN	
1		UH0751008	1	USER'S MANUAL, GBR.ENGLISH	
1		UH0751013	1	USER'S MANUAL, NORWEGIAN	
2		596617081	1	WARRANTY CARD, ENGLISH	
2		U27998001	1	WARRANTY CARD, AUS	
2		UA6174001	1	WARRANTY CARD, FRANCE	
2		237703001	1	WARRANTY CARD, DUTCH	
2		UD0373001	1	WARRANTY CARD, CAN	
3		U62002000	1	BAG, 260X340 (MANUAL)	
3		562778000	1	BAG BS	

INDEX

CODE	REF.NO.	PAGE	CODE	REF.NO.	PAGE
UA4815000	2 - 54	4	UK0578000	2 - 1	4
UA4820000	2 - 8	4	UK0579000	2 - 12	4
UA5009000	2 - 9	4	UK0580000	2 - 7	4
UA5012000	3 - 17	6	UK0581000	2 - 11	4
UA5018000	2 - 53	4	U10389000	3 - 14	6
UA5150000	2 - 6	4		4 - 13	8
UA6174001	7 - 2	12	U11776001	1 - 12	2
UB2083000	2 - 13	4	U12122000	3 - 6	6
UB2088000	2 - 20	4		4 - 6	8
UB2094000	2 - 22	4	U12158000	3 - 15	6
UB2095000	2 - 25	4		4 - 14	8
UD0373001	7 - 2	12	U12737000	3 - 18	6
UD0899001	1 - 22	2		4 - 16	8
UH0008000	2 - 23	4	U13542001	3 - 24	6
UH0009000	2 - 24	4		3 - 26	6
UH0022000	2 - 52	4		4 - 20	8
UH0029000	2 - 10	4		4 - 22	8
UH0030000	2 - 45	4	U13624001	3 - 22	6
UH0031000	2 - 49	4		3 - 25	6
UH0032000	2 - 50	4		3 - 27	6
UH0033000	2 - 48	4		4 - 21	8
UH0034000	3 - 16	6		4 - 23	8
	4 - 15	8	U13964000	2 - 46	4
UH0035000	3 - 19	6	U22703001	1 - 18	2
	4 - 17	8	U27998001	7 - 2	12
UH0043000	2 - 21	4	U32041001	2 - 51	4
UH0059000	2 - 3	4	U62002000	7 - 3	12
UH0062001	2 - 4	4	U62092001	5 - 8	10
UH0152001	2 - 1-54	4	U63785000	5 - 4	10
UH0153001	3 - 1-27	6	U63866000	5 - 3	10
UH0154001	4 - 1-24	8	U63867001	5 - 6	10
UH0414000	1 - 1	2	U63885001	5 - 7	10
UH0415000	1 - 3	2	U63949001	5 - 1	10
UH0416000	1 - 5	2	U63950001	5 - 2	10
UH0417001	1 - 6	2	U63952001	5 - 1	10
UH0418001	1 - 11	2	U63969000	5 - 4	10
UH0423001	1 - 13	2	U79967000	3 - 1	6
	1 - 14	2		4 - 1	8
UH0427001	1 - 14	2	Y21010001	3 - 12	6
UH0430001	1 - 8	2		4 - 24	8
UH0431001	1 - 9	2	Y31021001	3 - 13	6
UH0432001	1 - 17	2		4 - 12	8
UH0433001	1 - 20	2	Y42211601	2 - 47	4
UH0696001	6 - 3	10	Y42211602	3 - 11	6
UH0722001	1 - 23	2		4 - 11	8
UH0723000	1 - 24	2	Y61038041	3 - 8	6
UH0741001	6 - 1	10		4 - 8	8
UH0742001	6 - 2	10	Y64728041	3 - 7	6
UH0743001	1 - 25	2		4 - 7	8
UH0744001	1 - 27	2	Y71011110	2 - 40	4
UH0745001	1 - 27	2	Y71501110	2 - 39	4
UH0746001	1 - 28	2	Y71511110	2 - 41	4
UH0747001	1 - 29	2	Y81020110	2 - 42	4
UH0748001	1 - 26	2	Y81032410	2 - 43	4
UH0751001	7 - 1	12	Y81042400	2 - 44	4
UH0751004	7 - 1	12	021300205	3 - 23	6
UH0751005	7 - 1	12	052300605	1 - 21	2
UH0751007	7 - 1	12	090103120	3 - 10	6
UH0751008	7 - 1	12		4 - 10	8
UH0751013	7 - 1	12	090330120	3 - 9	6
UK0003000	2 - 2	4		4 - 9	8
UK0006000	2 - 5	4	091100004	3 - 2	6
UK0013000	3 - 20	6		4 - 2	8
	4 - 18	8	091100008	3 - 3	6
UK0014000	3 - 21	6		4 - 3	8
	4 - 19	8	091100244	3 - 4	6
UK0197000	2 - 55	4		4 - 4	8

INDEX

CODE	REF.NO.	PAGE
091100245	3 - 5	6
	4 - 5	8
091520002	2 - 14	4
091520004	2 - 15	4
091520008	2 - 16	4
091520032	2 - 17	4
091521034	2 - 18	4
092504011	2 - 19	4
094000120	2 - 26	4
094101120	2 - 28	4
094102120	2 - 30	4
094103120	2 - 35	4
094104120	2 - 37	4
094105120	2 - 38	4
094152120	2 - 31	4
094223120	2 - 36	4
094332120	2 - 32	4
094472120	2 - 33	4
094561120	2 - 29	4
094562120	2 - 34	4
094680120	2 - 27	4
163528001	5 - 8	10
237703001	7 - 2	12
462625000	5 - 5	10
562778000	7 - 3	12
571672001	1 - 2	2
	1 - 4	2
	1 - 7	2
	1 - 10	2
	1 - 16	2
	2 - 56	4
	3 - 28	6
	4 - 25	8
571823001	1 - 19	2
596617081	7 - 2	12

