

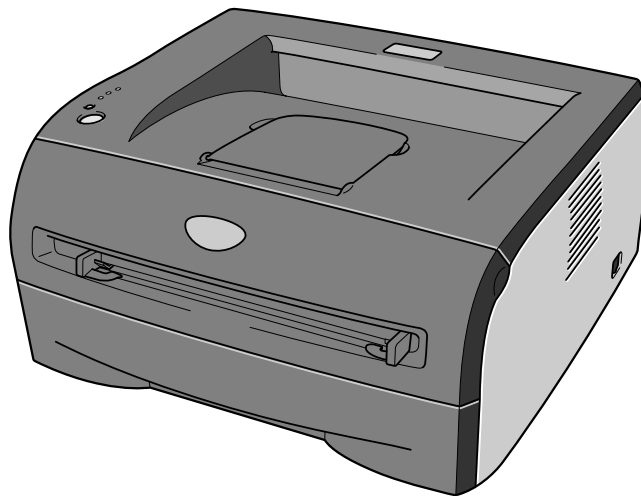


## Brother Laser Printer **PARTS REFERENCE LIST**

---

---

**MODEL: HL-2030/2032/2035/2037/  
2037E/2040/2045/2070N/2075N**



Read this list thoroughly before maintenance work.

Keep this list in a convenient place for quick and easy reference at all times.

# NOTE FOR USING THIS PARTS REFERENCE LIST

1. In the case of ordering parts, it is necessary to mention the following items:

- (1) Code
- (2) Q'ty
- (3) Description
- (4) Symbol (PCB No. etc.)

<Example>

| REF.NO. | CODE | Q'TY | DESCRIPTION | SYMBOL | REMARK |
|---------|------|------|-------------|--------|--------|
|         |      |      |             |        |        |

Revision No.: marked on the **main printed circuit board (Main PCB)**

**B48K056**

..... Circuit board No.

2. Design-changed parts:

If any of the parts is changed, one of the following symbols is indicated in the REMARK column.

CHG (chg): The part is changed for a new one.

ADD (add): The part is newly added.

DEL (del): The part is deleted.

Symbol in capital letters indicates the latest parts change information in the page.

3. The original parts reference list is based on the information available in December 2004.

4. Parts are subject to change in design without prior notice.

## COUNTRIES AND AREAS

|  |  |
|--|--|
| ARL: Australia   | ITA: Italy   |
| BEL: Belgium   | KOR: Korea   |
| CAN: Canada  | NL (DUT): Netherlands                                  |
| CHI: Chile   | PAN-NOR: PAN-NORDIC<br>(Norway/Finland/Denmark/Sweden) |
| CHN: China   | POR: Portugal  |
| DEN: Denmark   | RUS: Russia  |
| EEU: EEU-GENERAL<br>(Bulgaria/Czech/Hungary/Poland/Romania/Slovakia) | SAF: South Africa                                      |
| EUR: Europe  | SGP/GULF: Singapore/Gulf                               |
| FRA: France  | SPA: Spain   |
| GER: Germany   | SWI: Switzerland                                       |
| IND: India   | UK: U.K.   |
| ISR: Israel  | US: U.S.A  |

## LANGUAGES

|                   |                 |
|-------------------|-----------------|
| BUL: Bulgarian    | ITA: Italian    |
| CHN: Chinese      | NOR: Norwegian  |
| CZE: Czech        | KOR: Korean     |
| DEN (DAN): Danish | POL: Polish     |
| DUT: Dutch        | POR: Portuguese |
| ENG: English      | ROM: Romanian   |
| FIN: Finnish      | RUS: Russian    |
| FRE: French       | SPA: Spanish    |
| GER: German       | SWE: Swedish    |
| HUN: Hungarian    |                 |

# CONTENTS

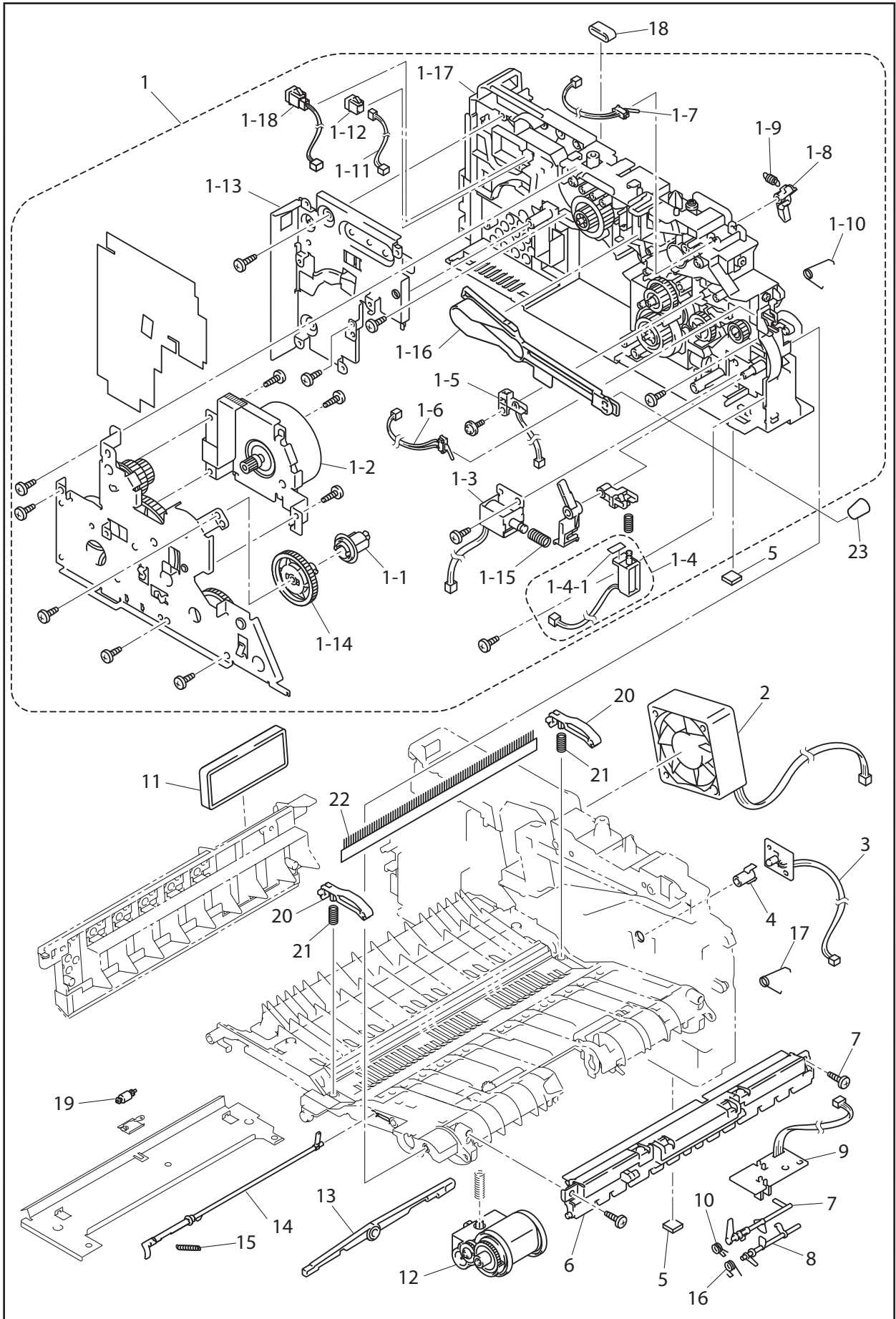
|     |                                |    |
|-----|--------------------------------|----|
| 1.  | <u>FRAME UNIT</u> .....        | 1  |
| 2.  | <u>LASER UNIT</u> .....        | 3  |
| 3.  | <u>PAPER TRAY</u> .....        | 3  |
| 4.  | <u>FIXING UNIT</u> .....       | 5  |
| 5.  | <u>COVERS/LABELS</u> .....     | 7  |
| 6.  | <u>MAIN PCB</u> .....          | 10 |
| 7.  | <u>LVPS</u> .....              | 12 |
| 8.  | <u>HVPS</u> .....              | 12 |
| 9.  | <u>AC CORD</u> .....           | 14 |
| 10. | <u>ACCESSORIES</u> .....       | 16 |
| 11. | <u>PACKING MATERIALS</u> ..... | 19 |
| 12. | <u>MAINTENANCE PARTS</u> ..... | 19 |

1. FRAME UNIT

| REF.NO.         | CODE                 | Q'TY         | DESCRIPTION  | REMARK |
|-----------------|----------------------|--------------|--|--------|
| 1               | LU1335001            | 1            | MAIN FRAME L ASSY 30-SV (HL-2030/2032/2035/2037/2037E) | CHG    |
| 1               | LU1334001            | 1            | MAIN FRAME L ASSY 40-SV (HL-2040)                      | CHG    |
| 1               | LU1332001            | 1            | MAIN FRAME L ASSY 70N-S (HL-2070N)                     | CHG    |
| 1-1             | LM4227001            | 1            | DEVELOP JOINT  |        |
| 1-2             | LM4341001            | 1            | MAIN MOTOR ASSY  |        |
| 1-3             | LM4234001            | 1            | F/R SOLENOID ASSY                                      |        |
| 1-4             | LM4238001            | 1            | P/R SOLENOID ASSY                                      |        |
| 1-4-1           | LU7353001            | 1            | SOL DAMPER SHEET                                       | add    |
| 1-5             | LJ9740001            | 1            | TONER SENSOR PCB ASSY ALL                              |        |
| 1-6             | LM4257001            | 1            | COVER SENSOR   |        |
| 1-7             | LM4262001            | 1            | NEW TONER SENSOR HARNESS ASSY                          | chg    |
| 1-8             | LM4260001            | 1            | NEW TONER ACTUATOR                                     |        |
| 1-9             | LM4261001            | 1            | NEW TONER ACTUATOR SPRING                              |        |
| 1-10            | LM6480001            | 1            | PINCH SPRING L   | chg    |
| <del>1-11</del> | <del>LM9014001</del> | <del>4</del> | <del>THERMISTOR RELAY HARNESS-S</del>                  | DEL    |
| <del>1-12</del> | <del>LM9013001</del> | <del>4</del> | <del>THERMISTOR HARNESS JOINT-S</del>                  | DEL    |
| 1-13            | LM6214001            | 1            | MAIN SHIELD PLATE 1 (HL-2030/2032/2035/2037/2037E)     | add    |
| 1-14            | LM4225001            | 1            | DEVELOP DRIVE GEAR                                     | add    |
| 1-15            | LM4633001            | 1            | SOLENOID RELEASE SPRING ALL                            | add    |
| 1-16            | LU1327001            | 1            | DRIVE RELEASE CAM                                      | CHG    |
| 1-17            | LM4733001            | 1            | MAIN FRAME L SUB ASSY (WITHOUT GEARS)                  | add    |
| 1-18            | LT0974001            | 1            | THERMISTOR HARNESS UNIT ALL                            | ADD    |
| 2               | LM4265001            | 1            | FAN MOTOR 60 UNIT                                      |        |
| 3               | LJ9747001            | 1            | TONER LED PCB ASSY ALL                                 |        |
| 4               | LM4267001            | 1            | LED HOLDER   |        |
| 5               | LJ7403001            | 2            | RUBBER FOOT  |        |
| 6               | LM4275001            | 1            | SUB CHUTE ASSY   |        |
| 7               | LM4282001            | 1            | REGIST FRONT ACTUATOR                                  |        |
| 8               | LM4283001            | 1            | TAIL EDGE ACTUATOR                                     |        |
| 9               | LJ9751001            | 1            | REGIST SENSOR PCB ASSY                                 |        |
| 10              | LM4285001            | 1            | REGIST FRONT SPRING                                    |        |
| <del>11</del>   | <del>LM4570001</del> | <del>4</del> | <del>FILTER ASSY</del>                                 | del    |
| 11              | LU0922001            | 1            | FILTER 2 ASSY  | add    |
| 12              | LM4300001            | 1            | PICKUP ROLLER HOLDER ASSY                              |        |
| 13              | LM6482001            | 1            | LINK LEVER ALL   | chg    |
| 14              | LM4284001            | 1            | REGIST REAR ACTUATOR                                   |        |
| 15              | LM4286001            | 1            | REGIST REAR SPRING                                     |        |
| 16              | LM4287001            | 1            | TAIL EDGE SPRING                                       |        |
| 17              | LM6481001            | 1            | PINCH SPRING R   | chg    |
| 18              | LJ9888001            | 1            | CORE:23.8X15X6.3X1.1                                   | add    |
| 19              | LJ7432001            | 1            | CLEANER PINCH ROLLER ASSY L                            | add    |
| 20              | LM4357001            | 2            | TRANSFER ARM   | add    |
| 21              | LM4358001            | 2            | TRANSFER ARM SPRING                                    | add    |
| 22              | LM4595001            | 1            | ANTI-STATIC BRUSH ALL                                  | add    |
| 23              | LU1323001            | 1            | RUBBER SPACER ALL                                      | ADD    |

MODEL HL-2030/2032/2035/2037/2037E/2040/2045/2070N/2075N 84U-Z81/Z82/Z83-010

# 1. FRAME UNIT



MODEL HL-2030/2032/2035/2037/2037E/2040/2045/2070N 84U-Z81/Z82/Z83-010

2. LASER UNIT

| REF.NO. | CODE      | Q'TY | DESCRIPTION                        | REMARK |
|---------|-----------|------|------------------------------------|--------|
| 1       | LM4578001 | 1    | LASER UNIT ALL (SP)                |        |
| 2       | LJ0908001 | 1    | LASER CAUTION LABEL B (EXCEPT CHN) |        |
| 2       | UL7931001 | 1    | LASER CAUTION LABEL CHN            | ADD    |

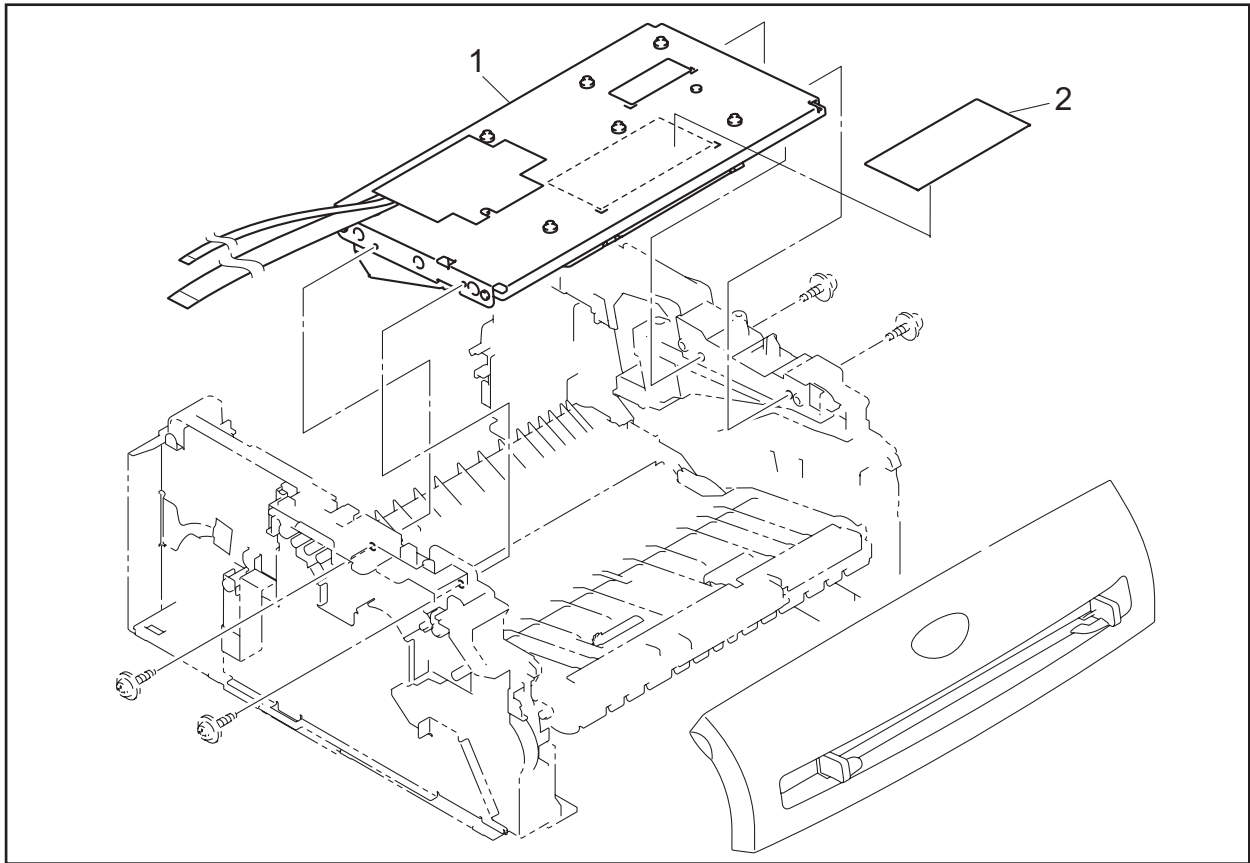
MODEL HL-2030/2032/2035/2037/2037E/2040/2045/2070N/2075N 84U-Z81/Z82/Z83-020

3. PAPER TRAY

| REF.NO. | CODE      | Q'TY | DESCRIPTION                            | REMARK |
|---------|-----------|------|--|--------|
| 1       | LM6331001 | 1    | PAPER TRAY ASSY, LIGHT GRAY (1581)     | chg    |
| 1       | LM6331002 | 1    | PAPER TRAY ASSY, DARK GRAY (1736)      | chg    |
| 1       | LM6333001 | 1    | PAPER TRAY ASSY EUR, LIGHT GRAY (1581) | chg    |
| 1       | LM6333002 | 1    | PAPER TRAY ASSY EUR, DARK GRAY (1736)  | chg    |
| 1       | LM6333007 | 1    | PAPER TRAY ASSY EUR (HL-2035)          |        |
| 1       | LM6333008 | 1    | PAPER TRAY ASSY EUR (HL-2037/2037E)    |        |
| 1       | LM6331007 | 1    | PAPER TRAY ASSY (HL-2045 CHN)          | ADD    |
| 1       | LM6331008 | 1    | PAPER TRAY ASSY (HL-2075N CHN)         | ADD    |
| 1-1     | LM4146001 | 1    | SEPARATION PAD SPRING                  |        |
| 1-2     | LM4143001 | 1    | SEPARATION PAD HOLDER ASSY             |        |

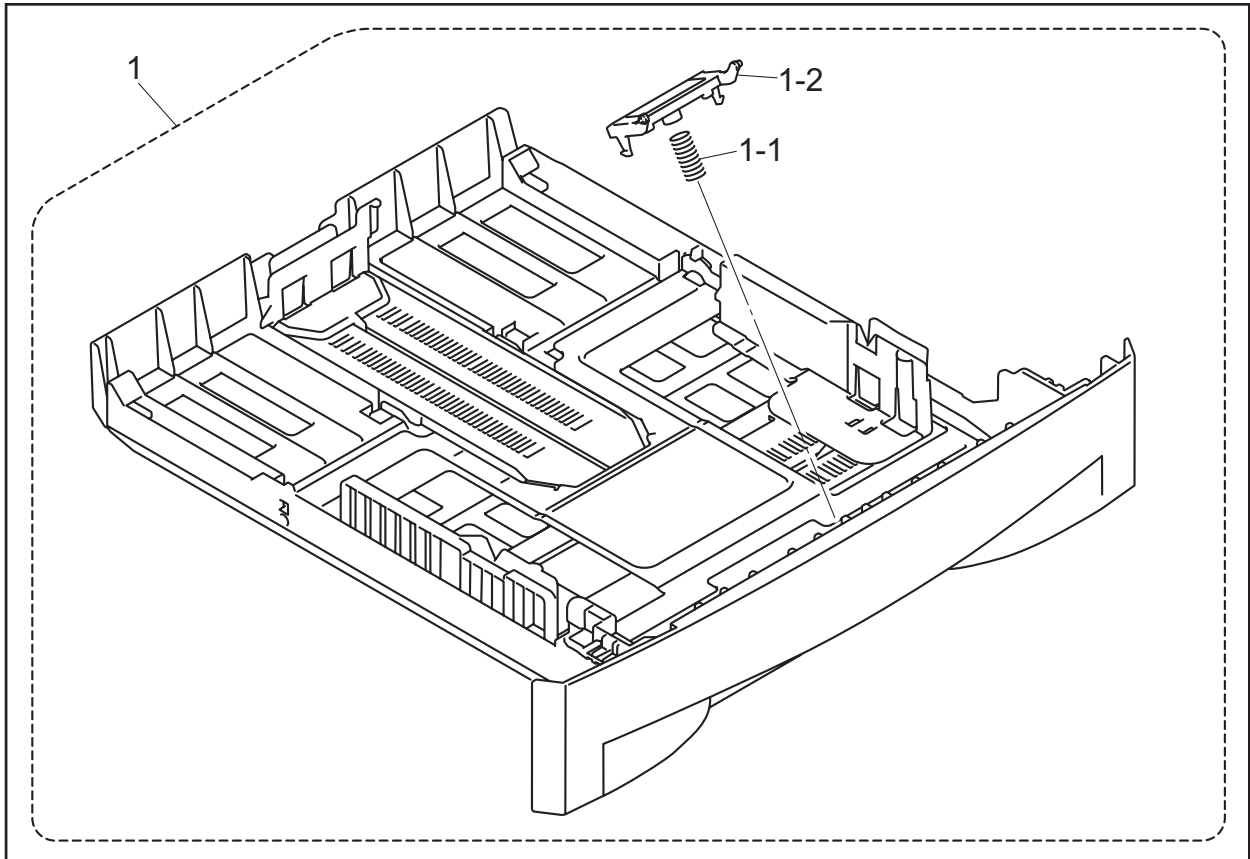
MODEL HL-2030/2032/2035/2037/2037E/2040/2045/2070N/2075N 84U-Z81/Z82/Z83-045

## 2. LASER UNIT



MODEL HL-2030/2032/2035/2037/2037E/2040/2045/2070N/2075N 84U-Z81/Z82/Z83-020

## 3. PAPER TRAY



MODEL HL-2030/2032/2035/2037/2037E/2040/2045/2070N/2075N 84U-Z81/Z82/Z83-045

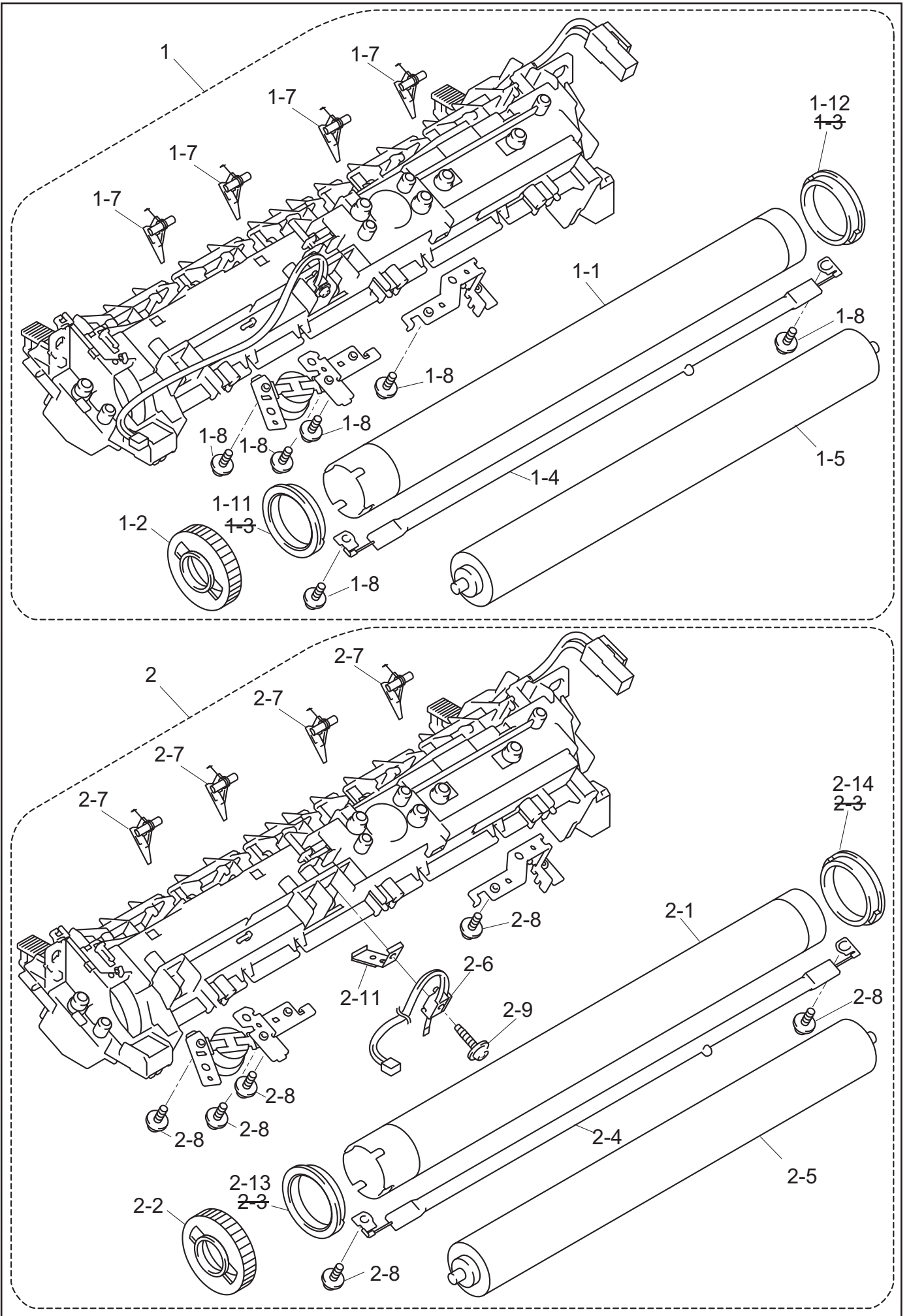


#### 4. FIXING UNIT

| REF.NO.         | CODE                 | Q'TY         | DESCRIPTION                        | REMARK |
|-----------------|----------------------|--------------|------------------------------------|--------|
| 1               | LM6721001            | 1            | FUSER UNIT, 115V I-10/5 (SP)       | chg    |
| 1               | LM6723001            | 1            | FUSER UNIT, 230V I-10/5 (SP)       | chg    |
| 1               | LU1199001            | 1            | FUSER UNIT, 230V CHN I-10/5 (SP)   | ADD    |
| 1-1             | LM4009001            | 1            | HEAT ROLLER                        |        |
| 1-2             | LM4010001            | 1            | HR GEAR                            |        |
| <del>1-3</del>  | <del>LM4011001</del> | <del>2</del> | <del>HR BUSH</del>                 | del    |
| 1-4             | LM4012001            | 1            | HALOGEN HEATER, 115V               |        |
| 1-4             | LM4022001            | 1            | HALOGEN HEATER, 230V               |        |
| 1-5             | LM4013001            | 1            | PRESSURE ROLLER                    |        |
| <del>1-6</del>  | <del>LM4018001</del> | <del>4</del> | <del>THERMISTOR ASSY</del>         | del    |
| 1-7             | LM4994001            | 4            | SEPARATE CLAW ASSY 10/1            | chg    |
| 1-8             | LM3855001            | 6            | SCREW, PAN (S/P WASHER) M3X8       |        |
| <del>1-9</del>  | <del>087311216</del> | <del>4</del> | <del>TAPTITE CUP B M3X12</del>     | del    |
| <del>1-10</del> | <del>LM4997001</del> | <del>4</del> | <del>SEPARATE CLAW ASSY 10/2</del> | del    |
| 1-11            | LM6735001            | 1            | HR BUSH L                          | add    |
| 1-12            | LM6736001            | 1            | HR BUSH R                          | add    |
| 2               | LM6722001            | 1            | FUSER UNIT, 115V S-10/5 (SP)       | chg    |
| 2               | LM6724001            | 1            | FUSER UNIT, 230V S-10/5 (SP)       | chg    |
| 2               | LM6725001            | 1            | FUSER UNIT, 230V IND S-10/5 (SP)   | chg    |
| 2               | LU1200001            | 1            | FUSER UNIT, 230V CHN S-10/5 (SP)   | ADD    |
| 2-1             | LM4009001            | 1            | HEAT ROLLER                        |        |
| 2-1             | LM6545001            | 1            | HEAT ROLLER IND                    | add    |
| 2-2             | LM4010001            | 1            | HR GEAR                            |        |
| <del>2-3</del>  | <del>LM4011001</del> | <del>2</del> | <del>HR BUSH</del>                 | del    |
| 2-4             | LM4012001            | 1            | HALOGEN HEATER, 115V               |        |
| 2-4             | LM4022001            | 1            | HALOGEN HEATER, 230V               |        |
| 2-5             | LM4013001            | 1            | PRESSURE ROLLER                    |        |
| 2-6             | LM4865001            | 1            | THERMISTOR ASSY-S                  | add    |
| 2-7             | LM4994001            | 4            | SEPARATE CLAW ASSY 10/1            | chg    |
| 2-8             | LM3855001            | 6            | SCREW, PAN (S/P WASHER) M3X8       |        |
| 2-9             | 087311216            | 1            | TAPTITE CUP B M3X12                |        |
| <del>2-10</del> | <del>LM4997001</del> | <del>4</del> | <del>SEPARATE CLAW ASSY 10/2</del> | del    |
| 2-11            | LM6305001            | 1            | THERMISTOR CLEANER ASSY 2 *        | chg    |
| <del>2-12</del> | <del>087310816</del> | <del>4</del> | <del>TAPTITE CUP B M3X8</del>      | del    |
| 2-13            | LM6735001            | 1            | HR BUSH L                          | add    |
| 2-14            | LM6736001            | 1            | HR BUSH R                          | add    |

\* <For the printer with the serial number "J5J694978" or later> It is necessary to replace this parts and the CLEANER PINCH ROLLER ASSY L (LJ7432001) of Ref. No.19, "1. FRAME UNIT" at the same time.

4. FIXING UNIT



MODEL HL-2030/2032/2035/2037/2037E/2040/2045/2070N/2075N 84U-Z81/Z82/Z83-050

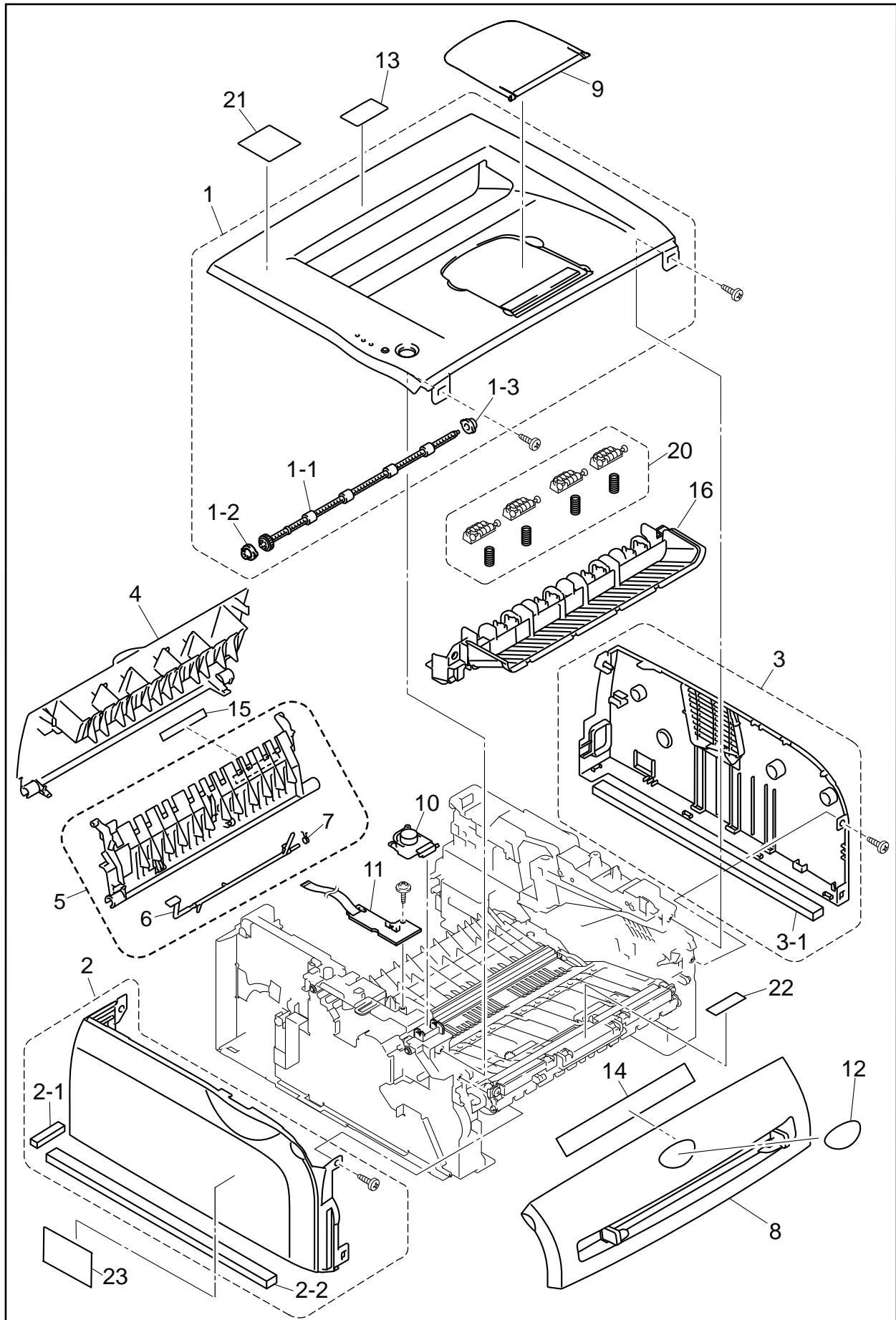
5. COVERS/LABELS

| REF.NO. | CODE      | Q'TY | DESCRIPTION  | REMARK |
|---------|-----------|------|--|--------|
| 1       | LM4973001 | 1    | TOP COVER ASSY, LIGHT GRAY (1581) (HL-2030/2040/2045)          | chg    |
| 1       | LM4973002 | 1    | TOP COVER ASSY, DARK GRAY (1736)<br>(HL-2030/2032/2070N/2075N) | chg    |
| 1       | LU0802001 | 1    | TOP COVER ASSY EUR, LIGHT GRAY (1581) (HL-2035)                |        |
| 1       | LU0802002 | 1    | TOP COVER ASSY EUR, LIGHT GRAY<br>(1581) (HL-2037/2037E)       |        |
| 1-1     | LM4105001 | 1    | EJECT ROLLER ASSY ALL  | add    |
| 1-2     | LM4108001 | 1    | BUSH L   | add    |
| 1-3     | LM4107001 | 1    | BUSH R   | add    |
| 2       | LM4716001 | 1    | SIDE COVER L ASSY, DARK GRAY (1736)                            |        |
| 2       | LM4716002 | 1    | SIDE COVER L ASSY, LIGHT GRAY (1581)                           |        |
| 2-1     | LM4626001 | 1    | COVER SPONGE L1  | add    |
| 2-2     | LM4625001 | 1    | COVER SPONGE   | add    |
| 3       | LM4717001 | 1    | SIDE COVER R ASSY, DARK GRAY (1736)                            |        |
| 3       | LM4717002 | 1    | SIDE COVER R ASSY, LIGHT GRAY (1581)                           |        |
| 3-1     | LM4625001 | 1    | COVER SPONGE   | add    |
| 4       | LM6229001 | 1    | REAR COVER, DARK GRAY (1736)                                   | chg    |
| 4       | LM6229002 | 1    | REAR COVER, LIGHT GRAY (1581)                                  | chg    |
| 5       | LM6321001 | 1    | REAR CHUTE COVER ASSY  | CHG    |
| 6       | LM6320001 | 1    | PAPER EJECT ACTUATOR 3   | chg    |
| 7       | LM6309001 | 1    | EJECT ACTUATOR SPRING 3  | chg    |
| 8       | LM4124001 | 1    | FRONT COVER ASSY, LIGHT GRAY (1581)                            |        |
| 8       | LM4124002 | 1    | FRONT COVER ASSY, DARK GRAY (1736)                             |        |
| 8       | LM4755001 | 1    | FRONT COVER ASSY (HL-2030/2040 RUS, HL-2045 CHN)               |        |
| 8       | LM4755002 | 1    | FRONT COVER ASSY (HL-2070N RUS)                                |        |
| 8       | LM4755004 | 1    | FRONT COVER ASSY (HL-2075N CHN)                                | add    |
| 8       | LM4556001 | 1    | FRONT COVER ASSY CHN, LIGHT GRAY (1581)                        | add    |
| 8       | LM4556002 | 1    | FRONT COVER ASSY CHN, DARK GRAY (1736)                         | add    |
| 8       | LU0804001 | 1    | FRONT COVER ASSY (HL-2035)                                     |        |
| 8       | LU0877001 | 1    | FRONT COVER ASSY (HL-2035R RUS)                                |        |
| 8       | LU0804002 | 1    | FRONT COVER ASSY (HL-2037/2037E)                               |        |
| 9       | LM4129001 | 1    | PAPER STOPPER, LIGHT GRAY (1581)                               |        |
| 9       | LM4129002 | 1    | PAPER STOPPER, DARK GRAY (1736)                                |        |
| 10      | LM4130001 | 1    | SW KEY   |        |
| 10      | LM4130003 | 1    | SW KEY (HL-2035, HL-2045 CHN)                                  | add    |
| 10      | LM4130004 | 1    | SW KEY (HL-2075N CHN)  | add    |
| 10      | LM4130005 | 1    | SW KEY (HL-2037/2037E)   |        |
| 11      | LJ9788001 | 1    | PANEL PCB ASSY ALL   |        |
| 12      | LM4162001 | 1    | BROTHER EMBLEM (HL-2030/2040)                                  |        |
| 12      | LM4162002 | 1    | BROTHER EMBLEM<br>(HL-2032/2037/2037E/2070N, HL-2075N CHN)     |        |
| 12      | LM4162005 | 1    | BROTHER EMBLEM (HL-2035)                                       |        |
| 12      | LM4162003 | 1    | BROTHER EMBLEM (HL-2045 CHN)                                   | add    |
| 13      | LM4164001 | 1    | MODEL PLATE 2030   |        |
| 13      | LM4347001 | 1    | MODEL PLATE 2040   |        |
| 13      | LM4336001 | 1    | MODEL PLATE 2070N  |        |
| 13      | LM4714001 | 1    | MODEL PLATE 2030 RUS   |        |
| 13      | LM4712001 | 1    | MODEL PLATE 2070N RUS  |        |
| 13      | LM4713001 | 1    | MODEL PLATE 2040 RUS   |        |
| 13      | LM4924001 | 1    | MODEL PLATE 2032   | add    |
| 13      | LU0811001 | 1    | MODEL PLATE (HL-2035)  |        |
| 13      | LU0857001 | 1    | MODEL PLATE (HL-2035R RUS)                                     |        |
| 13      | LU0858001 | 1    | MODEL PLATE (HL-2037/2037E)                                    |        |
| 13      | LM6771001 | 1    | MODEL PLATE 2045 CHN   | add    |
| 13      | LM6772001 | 1    | MODEL PLATE 2075N CHN  | add    |
| 14      | LM7049001 | 1    | PROCESS U OP LABEL (HL-2030/2032/2040/2045/2070N)              | chg    |
| 14      | LU0812001 | 1    | PROCESS U OP LABEL (HL-2035/2037/2037E)                        |        |
| 15      | LM7050001 | 1    | HEATER CAUTION LABEL R ALL 2                                   | chg    |

5. COVERS/LABELS

| REF.NO. | CODE      | Q'TY | DESCRIPTION  | REMARK |
|---------|-----------|------|--|--------|
| 16      | LM4113001 | 1    | INNER CHUTE, LIGHT GRAY (1581)                             | add    |
| 16      | LM4113002 | 1    | INNER CHUTE, DARK GRAY (1736)                              | add    |
| 47      | LM4621004 | 2    | <del>PINCH ROLLER SPRING 2 (CHN, SAF, SGP/GULF, KOR)</del> | del    |
| 48      | LM4116004 | 2    | <del>PINCH ROLLER SPRING (CHN, SAF, SGP/GULF, KOR)</del>   | del    |
| 49      | LM4116004 | 4    | <del>PINCH ROLLER SPRING-</del>                            | del    |
| 20      | LM6289004 | 4    | <del>PINCH ROLLER SP ASSY 2</del>                          | del    |
| 20      | LM6598001 | 1    | PINCH ROLLER SP ASSY 3                                     | chg    |
| 21      | LU0234001 | 1    | CAUTION LABEL S 30X30                                      | add    |
| 22      | LU0233001 | 1    | CAUTION LABEL S 13X40                                      | add    |
| 23      | LU0976001 | 1    | LED INFORMATION LABEL (ENGLISH)                            | ADD    |
| 23      | LU0978001 | 1    | LED INFORMATION LABEL (RUSSIAN)                            | ADD    |
| 23      | LU0979001 | 1    | LED INFORMATION LABEL (FRENCH)                             | ADD    |
| 23      | LU0980001 | 1    | LED INFORMATION LABEL (GERMAN)                             | ADD    |
| 23      | LU0981001 | 1    | LED INFORMATION LABEL (NORWEGIAN)                          | ADD    |
| 23      | LU0982001 | 1    | LED INFORMATION LABEL (DUTCH)                              | ADD    |
| 23      | LU0983001 | 1    | LED INFORMATION LABEL (FINNISH)                            | ADD    |
| 23      | LU0984001 | 1    | LED INFORMATION LABEL (DANISH)                             | ADD    |
| 23      | LU0985001 | 1    | LED INFORMATION LABEL (SPANISH)                            | ADD    |
| 23      | LU0986001 | 1    | LED INFORMATION LABEL (ITALIAN)                            | ADD    |
| 23      | LU0987001 | 1    | LED INFORMATION LABEL (PORTUGUESE)                         | ADD    |
| 23      | LU0988001 | 1    | LED INFORMATION LABEL (SWEDISH)                            | ADD    |
| 23      | LU0989001 | 1    | LED INFORMATION LABEL (CZECH)                              | ADD    |
| 23      | LU0990001 | 1    | LED INFORMATION LABEL (HUNGARIAN)                          | ADD    |
| 23      | LU0991001 | 1    | LED INFORMATION LABEL (POLISH)                             | ADD    |
| 23      | LU0992001 | 1    | LED INFORMATION LABEL (BULGARIAN)                          | ADD    |
| 23      | LU0993001 | 1    | LED INFORMATION LABEL (ROMANIAN)                           | ADD    |
| 23      | LU0994001 | 1    | LED INFORMATION LABEL (CHINESE)                            | ADD    |
| 23      | LU1096001 | 1    | LED INFORMATION LABEL (CANADIAN FRENCH)                    | ADD    |
| 23      | LU1097001 | 1    | LED INFORMATION LABEL (BRAZILIAN PORTUGUESE)               | ADD    |

5. COVERS/LABELS



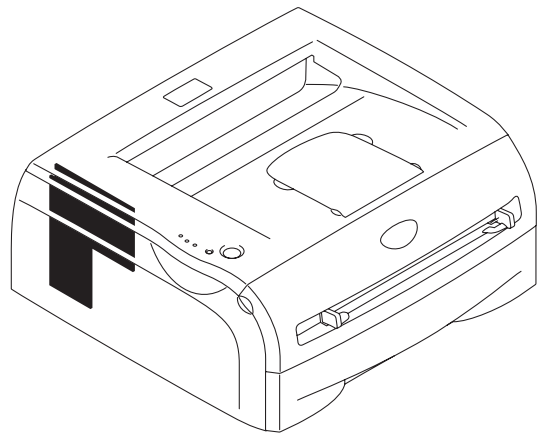
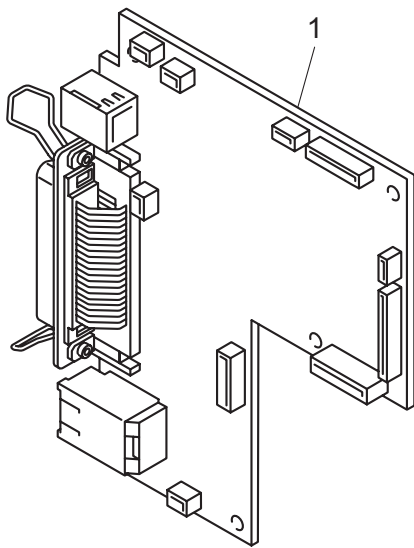
MODEL HL-2030/2032/2035/2037/2037E/2040/2045/2070N/2075N 84U-Z81/Z82/Z83-060,061

6. MAIN PCB

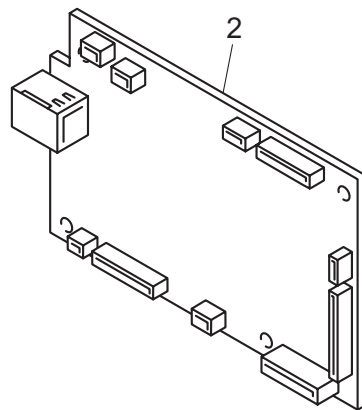
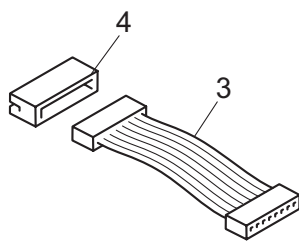
| REF.NO. | CODE      | Q'TY | DESCRIPTION                                 | SYMBOL  | REMARK |
|---------|-----------|------|---|---------|--------|
| 1       | LJ9712001 | 1    | MAIN PCB ASSY 2030 FLASH                    |         |        |
| 1       | LJ9797001 | 1    | MAIN PCB ASSY 2040 FLASH                    |         |        |
| 1       | LJ9928001 | 1    | MAIN PCB ASSY 2040 FLASH CHN                |         | add    |
| 1       | LJ9764001 | 1    | MAIN PCB ASSY 2070N FLASH                   |         |        |
| 1       | LJ9930001 | 1    | MAIN PCB ASSY 2070N FLASH CHN               |         | add    |
| 2       | LM9062001 | 1    | MAIN PCB ASSY 2030 SV                       | B512219 | chg    |
| 2       | LV0206001 | 1    | MAIN PCB ASSY (HL-2035/2037/2037E)          | B512219 |        |
| 2       | LM9104001 | 1    | MAIN PCB ASSY 2040 SV                       | B512224 | chg    |
| 2       | LM9105001 | 1    | MAIN PCB ASSY 2040 CHN SV                   | B512224 | chg    |
| 2       | LM9427001 | 1    | MAIN PCB ASSY 2045 CHN                      |         | ADD    |
| 2       | LM9056001 | 1    | MAIN PCB ASSY 2070N SV                      | B512225 | chg    |
| 2       | LM9057001 | 1    | MAIN PCB ASSY 2070N CHN SV                  | B512225 | chg    |
| 2       | LM9424001 | 1    | MAIN PCB ASSY 2075N CHN                     |         | ADD    |
| 3       | LM9085001 | 1    | LV EXT HARNESS ASSY ALL SV (HL-2030)        |         | add    |
| 4       | LM9109001 | 1    | CONNECTOR:B8B-PH-TW-S(LF)RELAY SV (HL-2030) |         | add    |

MODEL HL-2030/2032/2035/2037/2037E/2040/2045/2070N/2075N 84U-Z81/Z82/Z83-101

## 6. MAIN PCB

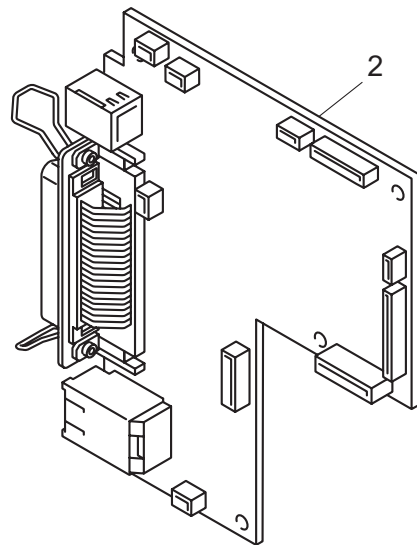
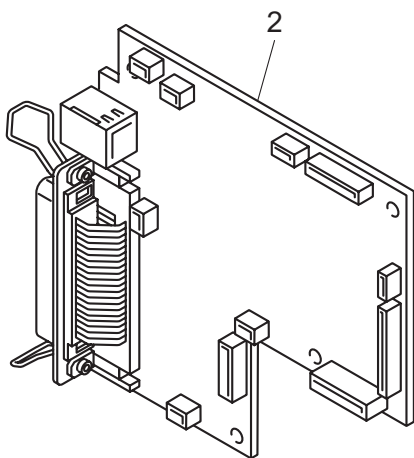


HL-2030/2035/2037/2037E



HL-2040/2045

HL-2070N/2075N



MODEL HL-2030/2032/2035/2037/2037E/2040/2045/2070N/2075N 84U-Z81/Z82/Z83-101

7. LVPS

| REF.NO. | CODE      | Q'TY | DESCRIPTION                         | SYMBOL | REMARK |
|---------|-----------|------|-------------------------------------|--------|--------|
| 1       | LJ9709001 | 1    | PS PCB UNIT ALL, 115V               |        |        |
| 1       | LJ9761001 | 1    | PS PCB UNIT ALL, 230V               |        |        |
| 1       | LJ9884001 | 1    | PS PCB UNIT ALL CHN (CHN, IND, RUS) |        | chg    |

MODEL HL-2030/2032/2035/2037/2037E/2040/2045/2070N/2075N 84U-Z81/Z82/Z83-200

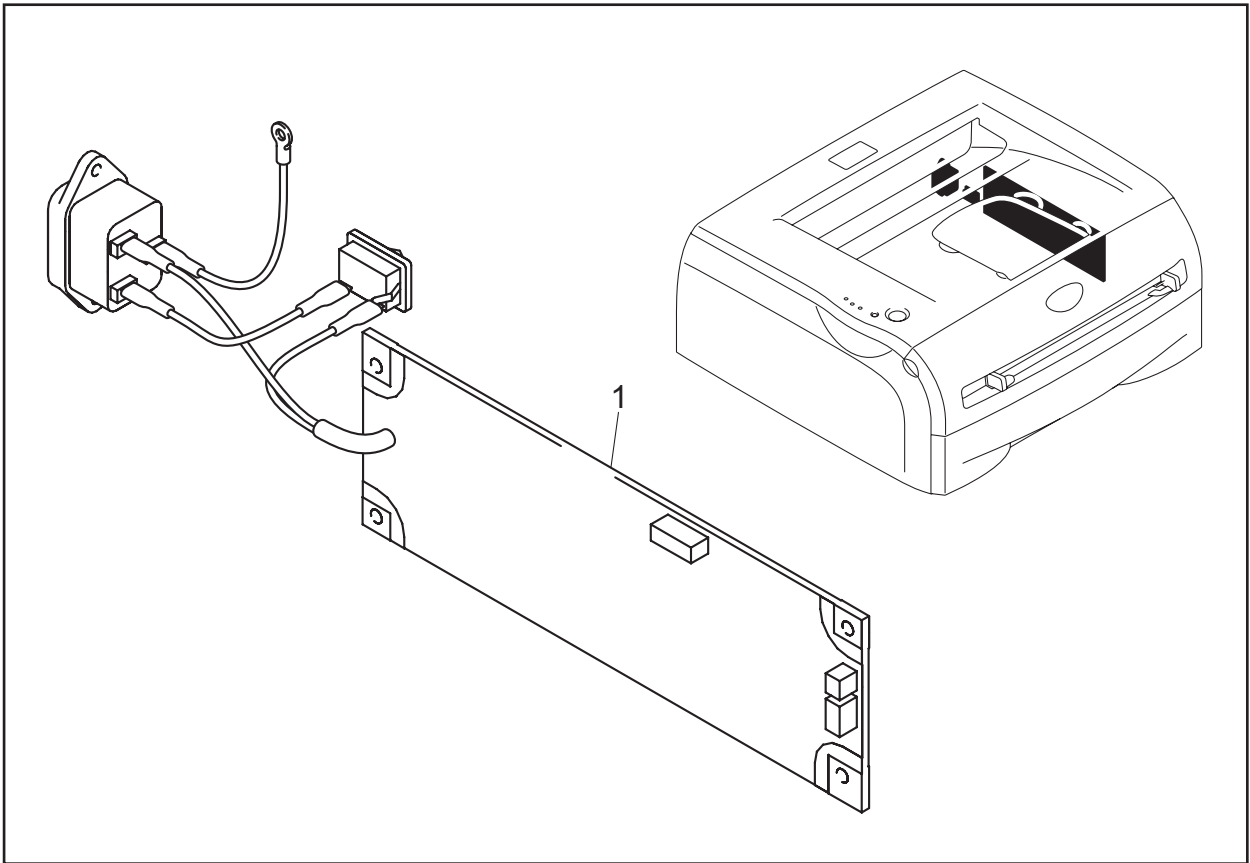
8. HVPS

| REF.NO. | CODE      | Q'TY | DESCRIPTION   | SYMBOL | REMARK |
|---------|-----------|------|---|--------|--------|
| 1       | LJ9708001 | 1    | HIGH-VOLTAGE PS PCB ASSY ALL<br>(EXCEPT HL-2035/2037/2037E) |        |        |
| 1       | LV0439001 | 1    | HIGH-VOLTAGE PS PCB ASSY ALL<br>(HL-2035/2037/2037E)        |        | ADD    |

MODEL HL-2030/2032/2035/2037/2037E/2040/2045/2070N/2075N 84U-Z81/Z82/Z83-220

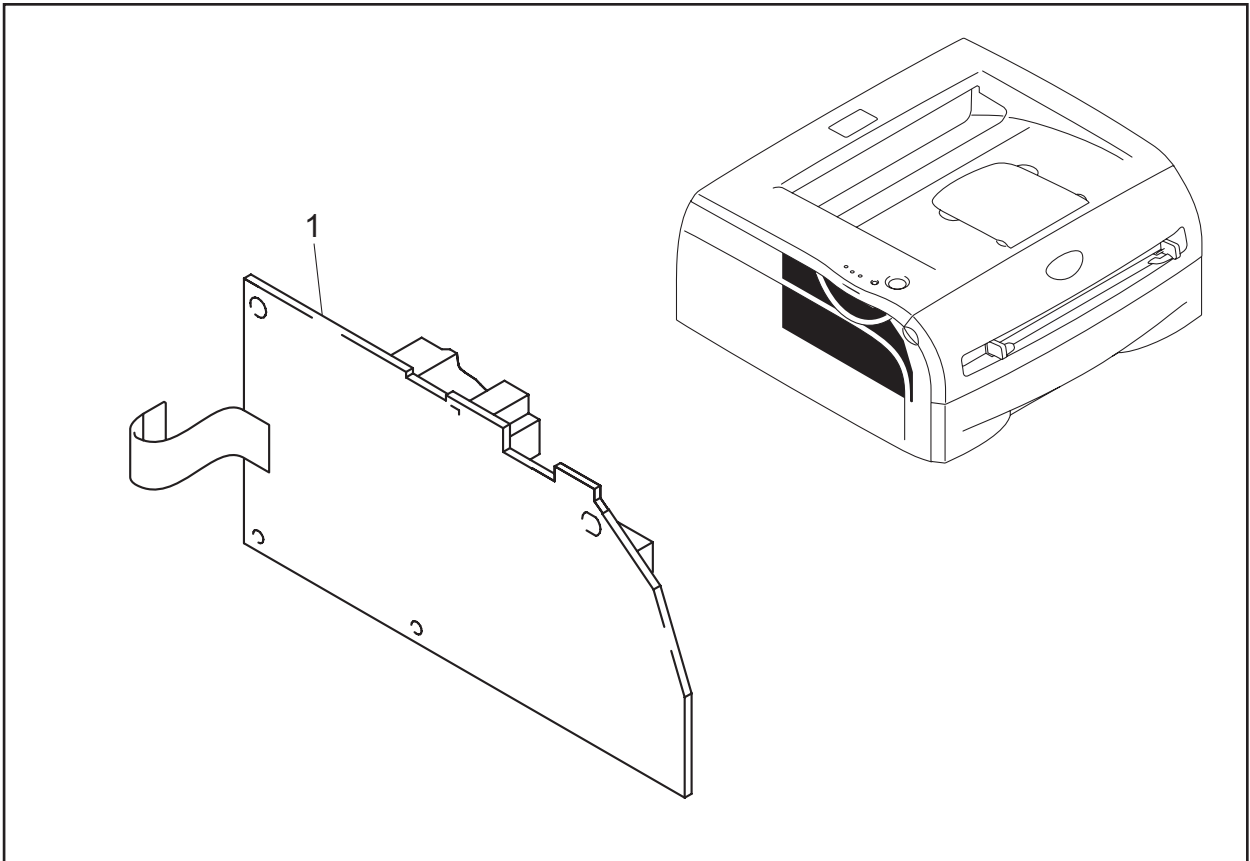


## 7. LVPS



MODEL HL-2030/2032/2035/2037/2037E/2040/2045/2070N/2075N 84U-Z81/Z82/Z83-200

## 8. HVPS




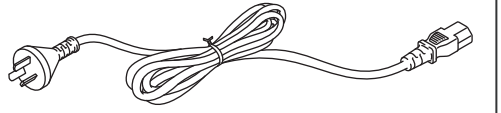

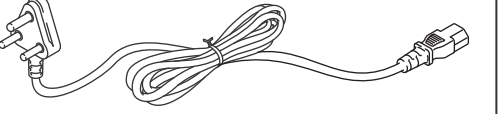
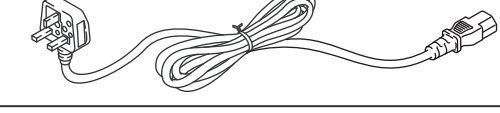

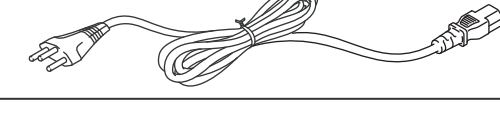




MODEL HL-2030/2032/2035/2037/2037E/2040/2045/2070N/2075N 84U-Z81/Z82/Z83-220

9. AC CORD

| REF.NO.       | CODE                 | Q'TY         | DESCRIPTION                           | SYMBOL | REMARK         |
|---------------|----------------------|--------------|---------------------------------------|--------|----------------|
| 1A            | LJ9271001            | 1            | AC CORD ASSY LF, UL/ CSA 10A          |        |                |
| 1B            | LV0363001            | 1            | AC CORD ASSY LF, VDE S                |        | CHG            |
| 1C            | LV0368001            | 1            | AC CORD ASSY LF, BS/PSB S             |        | CHG            |
| 1D            | LJ9254001            | 1            | AC CORD ASSY LF, SEV                  |        |                |
| 1E            | LJ9256001            | 1            | AC CORD ASSY LF, DEMKO                |        |                |
| 1F            | LM9288001            | 1            | AC CORD ASSY LF, ISRAEL               |        | chg            |
| 1G            | LV0362001            | 1            | AC CORD ASSY LF, CHINA S              |        | CHG            |
| 1H            | LJ9295001            | 1            | AC CORD ASSY LF, SOUTH AFRICA         |        |                |
| 1I            | LJ9294001            | 1            | AC CORD ASSY LF, CHILE                |        |                |
| 1J            | LV0366001            | 1            | AC CORD ASSY LF, SAA S                |        | CHG            |
| <del>1K</del> | <del>LJ9727001</del> | <del>1</del> | <del>AC CORD ASSY LF, ARGENTINA</del> |        | <del>del</del> |

MODEL HL-2030/2032/2035/2037/2037E/2040/2045/2070N/2075N 84U-Z81/Z82/Z83-230

9. AC CORD

|    |  |    |  |
|----|--|----|--|
| 1A |   | 1G |  |
| 1B |   | 1H |  |
| 1C |   | 1I |  |
| 1D |   | 1J |  |
| 1E |   | 1K |  |
| 1F |  |    |  |

MODEL HL-2030/2032/2035/2037/2037E/2040/2045/2070N/2075N 84U-Z81/Z82/Z83-230

10. ACCESSORIES

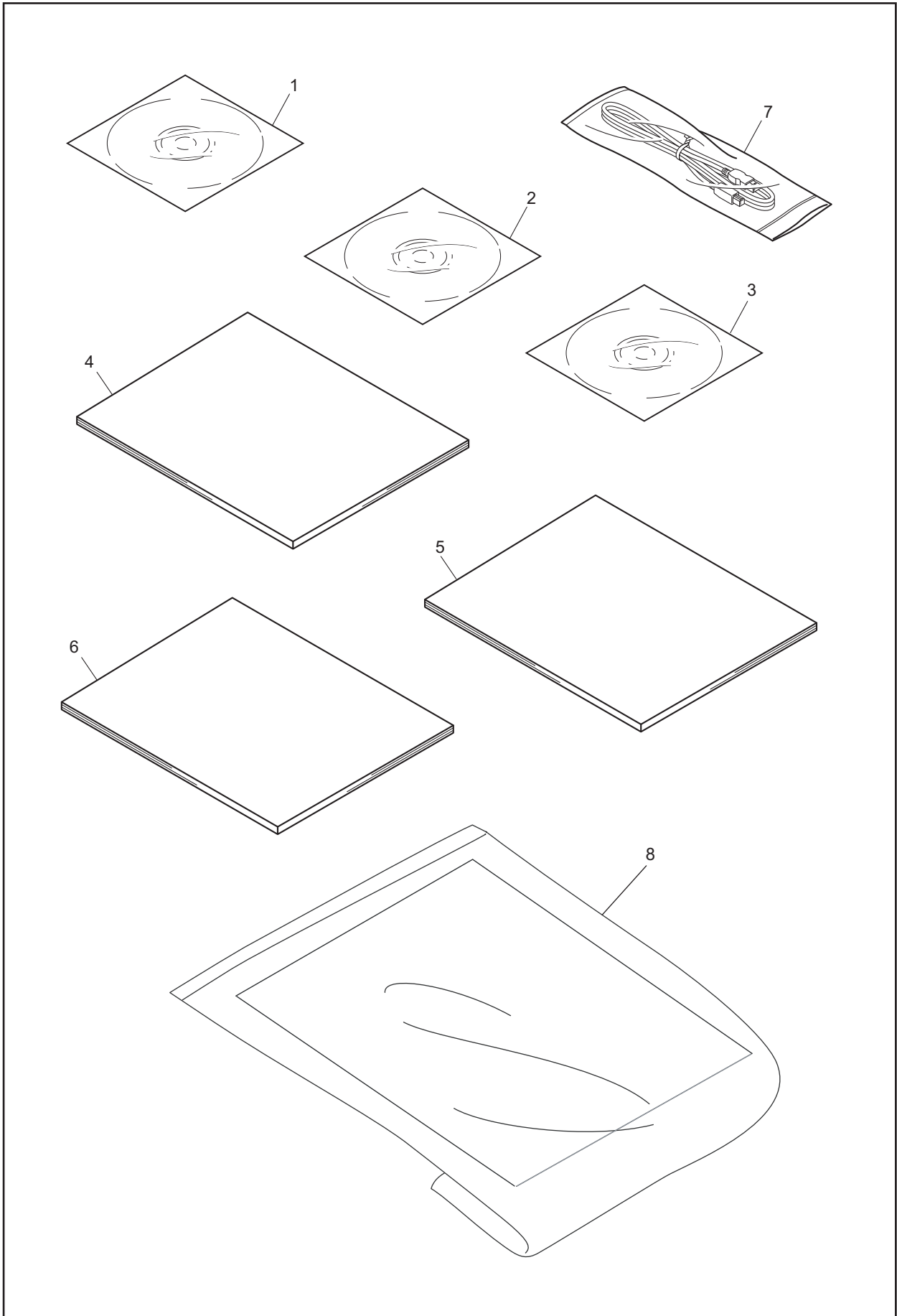
| REF.NO. | CODE      | Q'TY | DESCRIPTION   | REMARK |
|---------|-----------|------|---|--------|
| 1       | LM4757001 | 1    | CD ASSY ALL   |        |
| 1       | LM4525001 | 1    | CD ASSY ALL CHN (HL-2040/2070N)                                   |        |
| 1       | LM4599001 | 1    | CD ASSY ALL KOR   |        |
| 1       | LM4737001 | 1    | CD ASSY ALL EEU/RUS (HL-2030/2032/2040/2070N)                     | add    |
| 1       | LM6829001 | 1    | CD ASSY ALL CHN (HL-2045/2075N)                                   | add    |
| 1       | LU0783001 | 1    | CD ASSY EUR (HL-2035/2037/2037E)                                  |        |
| 1       | LU0784001 | 1    | CD ASSY EEU/RUS (HL-2035/2037)                                    |        |
| 2       | LU0424001 | 1    | CD-ROM ASSY VISTA EU/US (HL-2030/2032/2040/2070N)                 | chg    |
| 2       | LU0426001 | 1    | CD-ROM ASSY VISTA CHN (HL-2045/2075N)                             | add    |
| 2       | LU0429001 | 1    | CD-ROM ASSY VISTA EEU/RUS (HL-2030/2032/2040/2070N)               | add    |
| 2       | LU0430001 | 1    | CD-ROM ASSY VISTA KOR   | add    |
| 3       | LU1159001 | 1    | CD ASSY WIN7 EU/US<br>(HL-2035/2037/2037E, HL-2040 EXCEPT US/CAN) | ADD    |
| 3       | LU1161001 | 1    | CD ASSY WIN7 EEU/RUS (HL-2035/2037/2040)                          | ADD    |
| 4       | LM4425001 | 1    | SET GUIDE ALL ENG (HL-2030/2040/2070N)                            |        |
| 4       | LM4438001 | 1    | SET GUIDE ALL FRE (HL-2030/2032/2040/2070N)                       |        |
| 4       | LM4421001 | 1    | SET GUIDE ALL GER (HL-2030/2032/2040/2070N)                       |        |
| 4       | LM4428001 | 1    | SET GUIDE ALL DEN (HL-2030/2040/2070N)                            |        |
| 4       | LM4431001 | 1    | SET GUIDE ALL POR (HL-2030/2032/2040/2070N)                       |        |
| 4       | LM4430001 | 1    | SET GUIDE ALL SPA (HL-2030/2032/2040/2070N)                       |        |
| 4       | LM4433001 | 1    | SET GUIDE ALL ITA (HL-2030/2040/2070N)                            |        |
| 4       | LM4528001 | 1    | SET GUIDE ALL CHN (HL-2040/2070N)                                 |        |
| 4       | LM4435001 | 1    | SET GUIDE ALL SWE (HL-2030/2040/2070N)                            |        |
| 4       | LM4436001 | 1    | SET GUIDE ALL FIN (HL-2030/2040/2070N)                            |        |
| 4       | LM4440001 | 1    | SET GUIDE ALL NOR (HL-2030/2040/2070N)                            |        |
| 4       | LM4439001 | 1    | SET GUIDE ALL DUT (HL-2030/2040/2070N)                            |        |
| 4       | LM4730001 | 1    | SET GUIDE ALL RUS (HL-2030/2040/2070N)                            | add    |
| 4       | LM4728001 | 1    | SET GUIDE ALL ENG/CZE/HUN (HL-2030/2032/2040/2070N)               | add    |
| 4       | LM4729001 | 1    | SET GUIDE ALL POL/BUL/ROM (HL-2030/2032/2040/2070N)               | add    |
| 4       | LM6912001 | 1    | SET GUIDE ALL CHN (HL-2045/2075N)                                 | add    |
| 4       | LU0763001 | 1    | SET GUIDE ENG (HL-2035/2037)                                      |        |
| 4       | LU0764001 | 1    | SET GUIDE GER (HL-2035/2037)                                      |        |
| 4       | LU0765001 | 1    | SET GUIDE FRE (HL-2035/2037)                                      |        |
| 4       | LU0766001 | 1    | SET GUIDE HL-2035 DUT   |        |
| 4       | LU0767001 | 1    | SET GUIDE ITA (HL-2035/2037)                                      |        |
| 4       | LU0768001 | 1    | SET GUIDE HL-2035 SPA   |        |
| 4       | LU0769001 | 1    | SET GUIDE HL-2035 POR   |        |
| 4       | LU0776001 | 1    | SET GUIDE HL-2035 RUS   |        |
| 4       | LU0770001 | 1    | SET GUIDE NOR (HL-2035/2037/2037E)                                |        |
| 4       | LU0771001 | 1    | SET GUIDE SWE (HL-2035/2037/2037E)                                |        |
| 4       | LU0772001 | 1    | SET GUIDE DEN (HL-2035/2037/2037E)                                |        |
| 4       | LU0773001 | 1    | SET GUIDE FIN (HL-2035/2037/2037E)                                |        |
| 4       | LU0774001 | 1    | SET GUIDE ENG/CZE/HUN (HL-2035/2037)                              |        |
| 4       | LU0775001 | 1    | SET GUIDE POL/BUL/ROM (HL-2035/2037)                              |        |
| 5       | LU0354001 | 1    | SETUP GUIDE VISTA ENG<br>(HL-2030, HL-2040 US/CAN, HL-2070N)      | add    |
| 5       | LU0355001 | 1    | SETUP GUIDE VISTA GER (HL-2030/2032/2070N)                        | add    |
| 5       | LU0356001 | 1    | SETUP GUIDE VISTA FRE<br>(HL-2030/2032, HL-2040 CAN, HL-2070N)    | add    |
| 5       | LU0357001 | 1    | SETUP GUIDE VISTA DUT (HL-2030/2070N)                             | add    |
| 5       | LU0358001 | 1    | SETUP GUIDE VISTA ITA (HL-2030/2070N)                             | add    |
| 5       | LU0359001 | 1    | SETUP GUIDE VISTA SPA<br>(HL-2030/2032, HL-2040 CHI, HL-2070N)    | add    |
| 5       | LU0360001 | 1    | SETUP GUIDE VISTA POR (HL-2030/2032/2070N)                        | add    |
| 5       | LU0361001 | 1    | SETUP GUIDE VISTA NOR (HL-2030/2070N)                             | add    |
| 5       | LU0362001 | 1    | SETUP GUIDE VISTA SWE (HL-2030/2070N)                             | add    |

MODEL HL-2030/2032/2035/2037/2037E/2040/2045/2070N/2075N 84U-Z81/Z82/Z83-910/920

| REF.NO. | CODE      | Q'TY | DESCRIPTION  | REMARK |
|---------|-----------|------|--|--------|
| 5       | LU0363001 | 1    | SETUP GUIDE VISTA DEN (HL-2030/2070N)              | add    |
| 5       | LU0364001 | 1    | SETUP GUIDE VISTA FIN (HL-2030/2070N)              | add    |
| 5       | LU0365001 | 1    | SETUP GUIDE VISTA ENG/CEZ/HUN (HL-2030/2032/2070N) | add    |
| 5       | LU0366001 | 1    | SETUP GUIDE VISTA POL/BUL/ROM (HL-2030/2032/2070N) | add    |
| 5       | LU0367001 | 1    | SETUP GUIDE VISTA RUS (HL-2030/2040/2070N)         | add    |
| 5       | LU0368001 | 1    | SETUP GUIDE VISTA CHN (HL-2045/2075N)              | add    |
| 6       | LU7878001 | 1    | SETUP GUIDE VI/7 ENG (HL-2040 EXCEPT US/CAN)       | ADD    |
| 6       | LU7879001 | 1    | SETUP GUIDE VI/7 GER (HL-2040)                     | ADD    |
| 6       | LU7880001 | 1    | SETUP GUIDE VI/7 FRE (HL-2040 EXCEPT CAN)          | ADD    |
| 6       | LU7881001 | 1    | SETUP GUIDE VI/7 DUT (HL-2040)                     | ADD    |
| 6       | LU7882001 | 1    | SETUP GUIDE VI/7 ITA (HL-2040)                     | ADD    |
| 6       | LU7883001 | 1    | SETUP GUIDE VI/7 SPA (HL-2040 EXCEPT CHI)          | ADD    |
| 6       | LU7884001 | 1    | SETUP GUIDE VI/7 POR (HL-2040)                     | ADD    |
| 6       | LU7885001 | 1    | SETUP GUIDE VI/7 NOR (HL-2040)                     | ADD    |
| 6       | LU7886001 | 1    | SETUP GUIDE VI/7 SWE (HL-2040)                     | ADD    |
| 6       | LU7887001 | 1    | SETUP GUIDE VI/7 DEN (HL-2040)                     | ADD    |
| 6       | LU7888001 | 1    | SETUP GUIDE VI/7 FIN (HL-2040)                     | ADD    |
| 6       | LU7891001 | 1    | SETUP GUIDE VI/7 ENG/CEZ/HUN (HL-2040)             | ADD    |
| 6       | LU7892001 | 1    | SETUP GUIDE VI/7 POL/BUL/ROM (HL-2040)             | ADD    |
| 7       | LJ9803001 | 1    | USB CABLE 2.0 CHN                                  | add    |
| 8       | LU1185001 | 1    | DRUM CLEANING SHEET KIT                            | ADD    |

MODEL HL-2030/2032/2035/2037/2037E/2040/2045/2070N/2075N 84U-Z81/Z82/Z83-910/920

10. ACCESSORIES



MODEL HL-2030/2032/2035/2037/2037E/2040/2045/2070N/2075N 84U-Z81/Z82/Z83-910/920

### 11. PACKING MATERIALS

| REF.NO. | CODE      | Q'TY | DESCRIPTION                      | REMARK |
|---------|-----------|------|----------------------------------|--------|
| 1       | LM4422001 | 1    | CARTON, HL-2030 EUR              |        |
| 1       | LM4734001 | 1    | CARTON, HL-2030 RUS              | add    |
| 1       | LM4762001 | 1    | CARTON, HL-2030 CAN              | add    |
| 1       | LM4452001 | 1    | CARTON, HL-2040 US               |        |
| 1       | LM4461001 | 1    | CARTON, HL-2040 EUR              |        |
| 1       | LM4529001 | 1    | CARTON, HL-2040 CHN              |        |
| 1       | LM4600001 | 1    | CARTON, HL-2040 KOR              |        |
| 1       | LM4735001 | 1    | CARTON, HL-2040 RUS              | add    |
| 1       | LM4535001 | 1    | CARTON, HL-2070 US               |        |
| 1       | LM4541001 | 1    | CARTON, HL-2070 EUR              |        |
| 1       | LM4554001 | 1    | CARTON, HL-2070 CHN              |        |
| 1       | LM4736001 | 1    | CARTON, HL-2070 RUS              | add    |
| 1       | LM4925001 | 1    | CARTON, HL-2032 EUR              | add    |
| 1       | LU0904001 | 1    | CARTON, HL-2035 GER              |        |
| 1       | LU0905001 | 1    | CARTON, HL-2035 EUR (EXCEPT GER) |        |
| 1       | LU1082001 | 1    | CARTON, HL-2035 SAF              | ADD    |
| 1       | LU0866001 | 1    | CARTON, HL-2035R RUS             |        |
| 1       | LM6825001 | 1    | CARTON, HL-2045 CHN              | add    |
| 1       | LM6827001 | 1    | CARTON, HL-2075N CHN             | add    |
| 1       | LU0865001 | 1    | CARTON, HL-2037 EUR              |        |
| 1       | LU0890001 | 1    | CARTON, HL-2037E PAN-NOR         |        |
| 2       | LM4156001 | 1    | POLYSTYRENE PAD ASSY ALL         |        |
| 3       | LM4159001 | 1    | OPTION CARTON ALL                |        |
| 3       | LM6783001 | 1    | OPTION CARTON ALL ASSY (CHN)     | chg    |
| 4       | LJ5590001 | 1    | BAG, 550X650H                    |        |

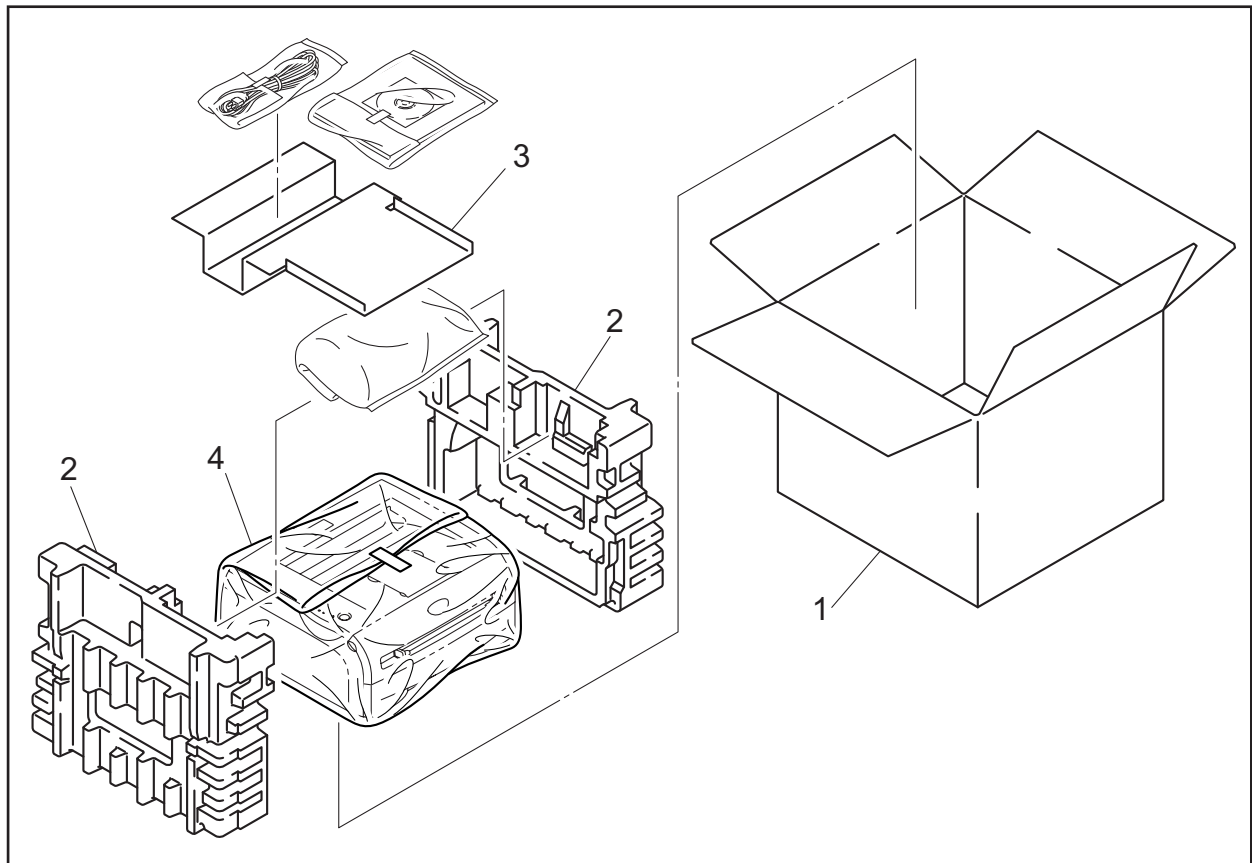
MODEL HL-2030/2032/2035/2037/2037E/2040/2045/2070N/2075N 84U-Z81/Z82/Z83-930

### 12. MAINTENANCE PARTS

| REF.NO. | CODE      | Q'TY | DESCRIPTION           | REMARK |
|---------|-----------|------|-----------------------|--------|
| 4       | LM4581001 | 4    | PAPER FEEDING KIT ALL | del    |
| 1       | LM6291001 | 1    | PAPER FEEDING KIT ALL | add    |
| 2       | LM4726001 | 1    | CHECK JIG             |        |

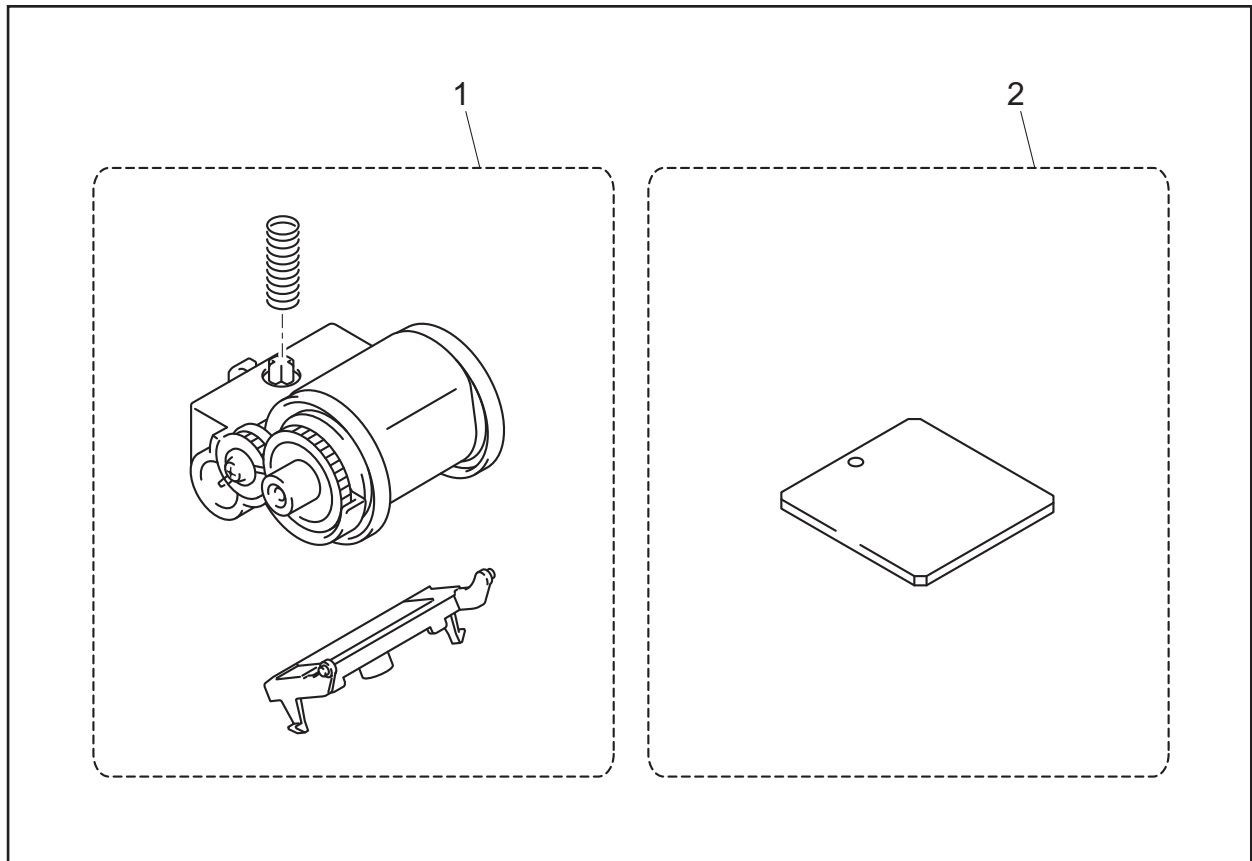
MODEL HL-2030/2032/2035/2037/2037E/2040/2045/2070N/2075N 84U-Z81/82/83-940

## 11. PACKING MATERIALS



MODEL HL-2030/2032/2035/2037/2037E/2040/2045/2070N/2075N 84U-Z81/Z82/Z83-930

## 12. MAINTENANCE PARTS



MODEL HL-2030/2032/2035/2037/2037E/2040/2045/2070N/2075N 84U-Z81/Z82/Z83-940