



**Lower Tray Unit for
HL-5040/5050/5070N Laser Printer
PARTS REFERENCE LIST**

MODEL: LT-5000

NOTE FOR USING THIS PARTS REFERENCE LIST

1. In the case of ordering parts, it needs mentioning the following items:

- (1) Code
- (2) Q'ty
- (3) Description
- (4) Symbol (PCB No., Revision , and Parts location mounted on the PCB.)

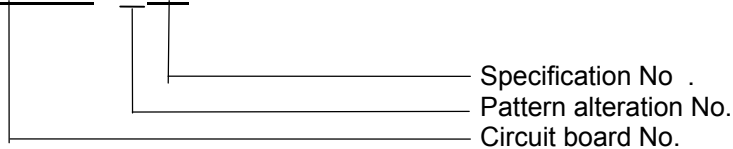
Note : No orders without Parts Code or Tool No. can be accepted.

< Example >

REF.NO.	CODE	Q'TY	DESCRIPTION	SYMBOL	REMARK

Revision No.: marked on the main printed circuit board.

B48K056 - 201



2. Design-changed parts :

If the parts are changed, any one of the following symbols is indicated in the REMARKS column.

CNG(cng) : The part is changed to a new part.

ADD(add) : The part is newly added.

DEL(del) : The part is deleted.

Symbol in capital letters indicates that the change is the latest one in the page.

3. The original of this list was made based on the information available in January 2003.

4. Parts are subject to change in design without prior notice.

CONTENTS

1.	FRAME/DRIVE UNIT	1
2.	PAPER CASSETTE	1
3.	PCB.....	3
4.	ACCESSORIES	3
5.	PACKING MATERIALS	5

1. FRAME / DRIVE UNIT

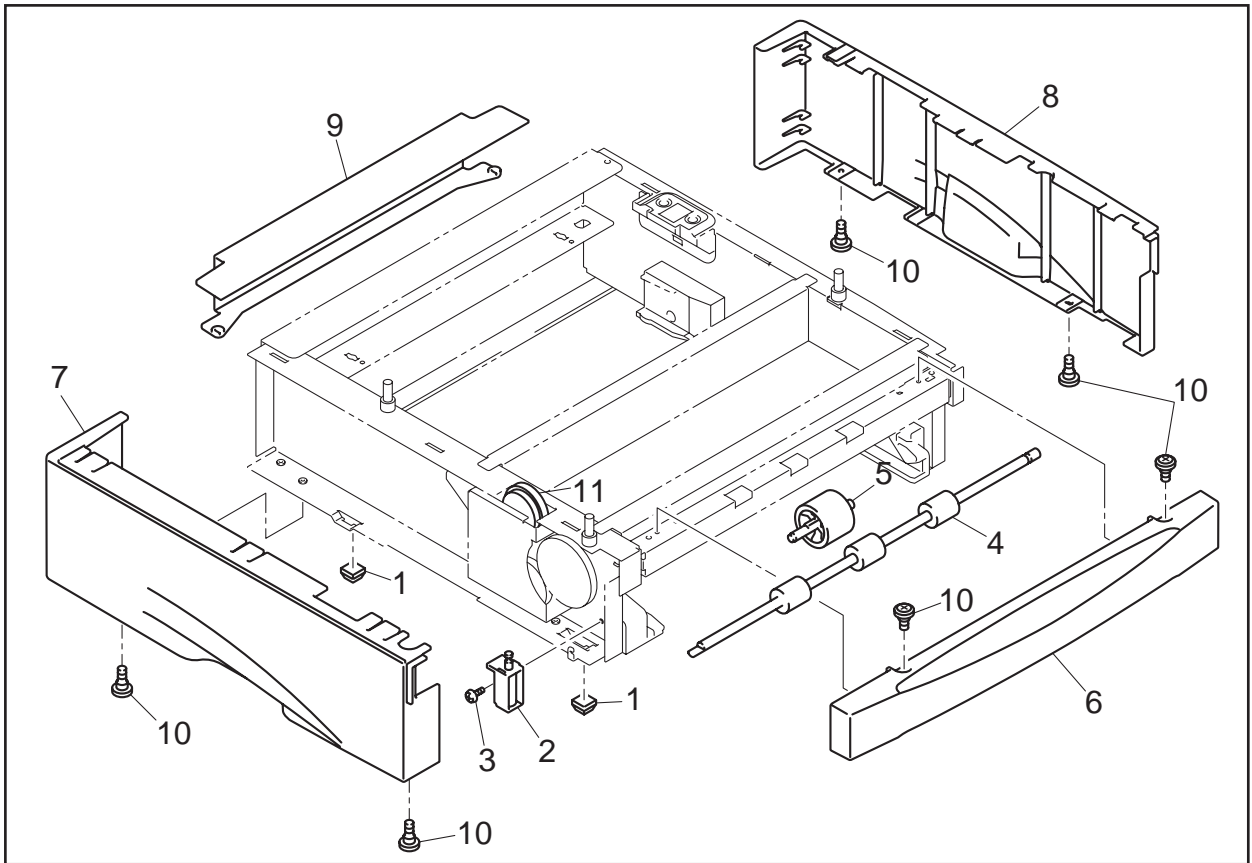
REF.NO.	CODE	QTY	DESCRIPTION	REMARK
1	LJ7403001	2	RUBBER FOOT	
2	LJ7637001	1	LT SOLENOID ASSY	
3	085311215	1	TAPTITE, BIND B M3X12	
4	LJ5329001	1	FEEDER ROLLER LT ASSY	
5	LJ7703001	1	PAPER PICK-UP ROLLER ASSY ZL2	
6	LJ7651001	1	LT FRONT COVER	
7	LJ7656001	1	LT SIDE COVER L	
8	LJ7657001	1	LT SIDE COVER R	
9	LJ5339001	1	LT REAR COVER	
10	087320616	6	TAPTITE, CUP S M3X6	
11	LJ5326001	1	CLUTCH GEAR 45	ADD

MODELLT-5000 84U-X21-010

2. PAPER CASSETTE

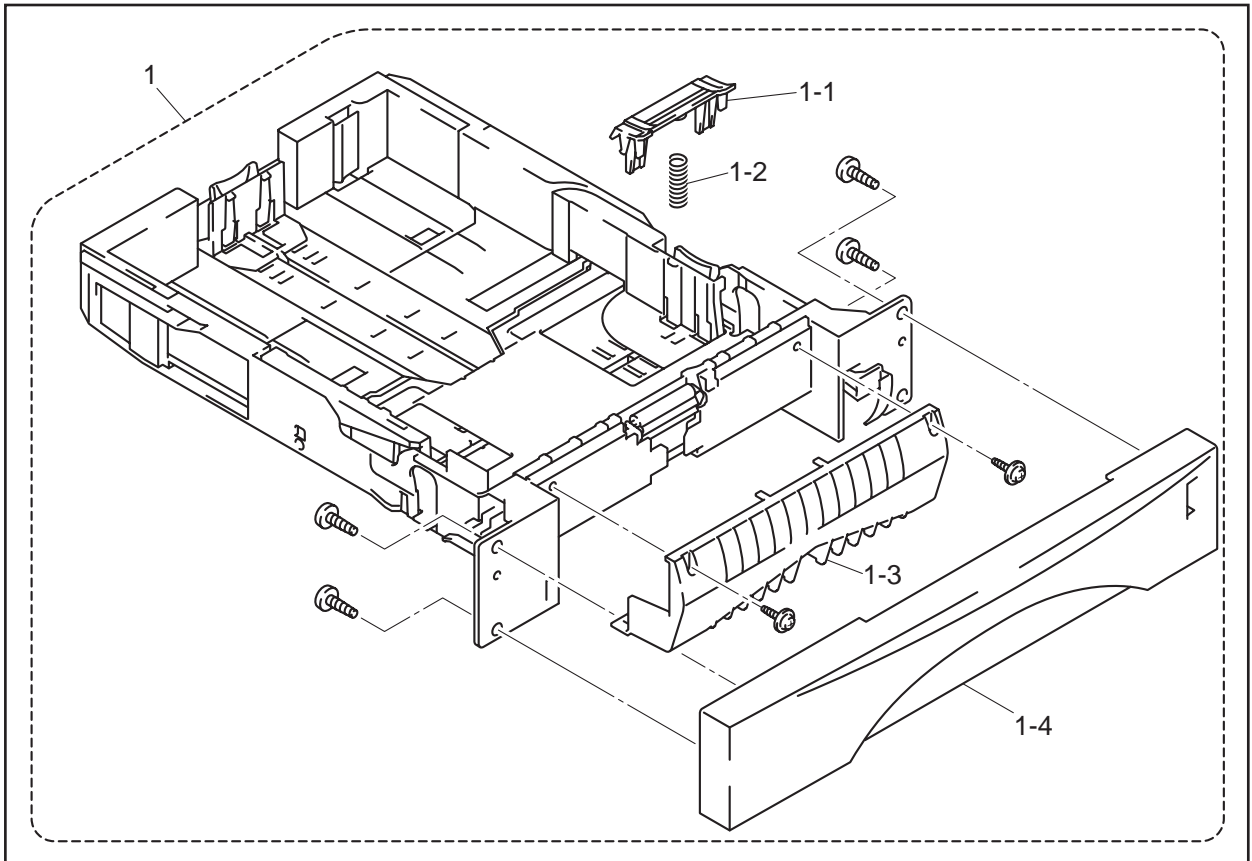
REF.NO.	CODE	QTY	DESCRIPTION	REMARK
1	LJ7607001	1	PAPER TRAY ASSY ZL2 BRO 2	
1-1	LJ7307001	1	PAD HOLDER ZL2	
1-2	LJ5923001	1	SEPARATION PAD SPRING 350	
1-3	LJ7616001	1	PAPER TRAY COVER	
1-4	LJ7608001	1	PAPER TRAY FRONT COVER LT	

1. FRAME / DRIVE UNIT



MODEL LT-5000 84U-X21-010

2. PAPER CASSETTE



MODEL LT-5000 84U-X21-045

3. PCB

REF.NO.	CODE	Q'TY	DESCRIPTION	SYMBOL	REMARK
1	LJ9275001	1	LT SENSOR PCB ASSY ZL2	B512098-101	
2	LJ7659001	1	LT HARNESS ASSY ZL2		
3	LJ8456001	1	CONNECTOR:53717-0611		
4	087320616	1	TAPTITE, CUP S M3X6		

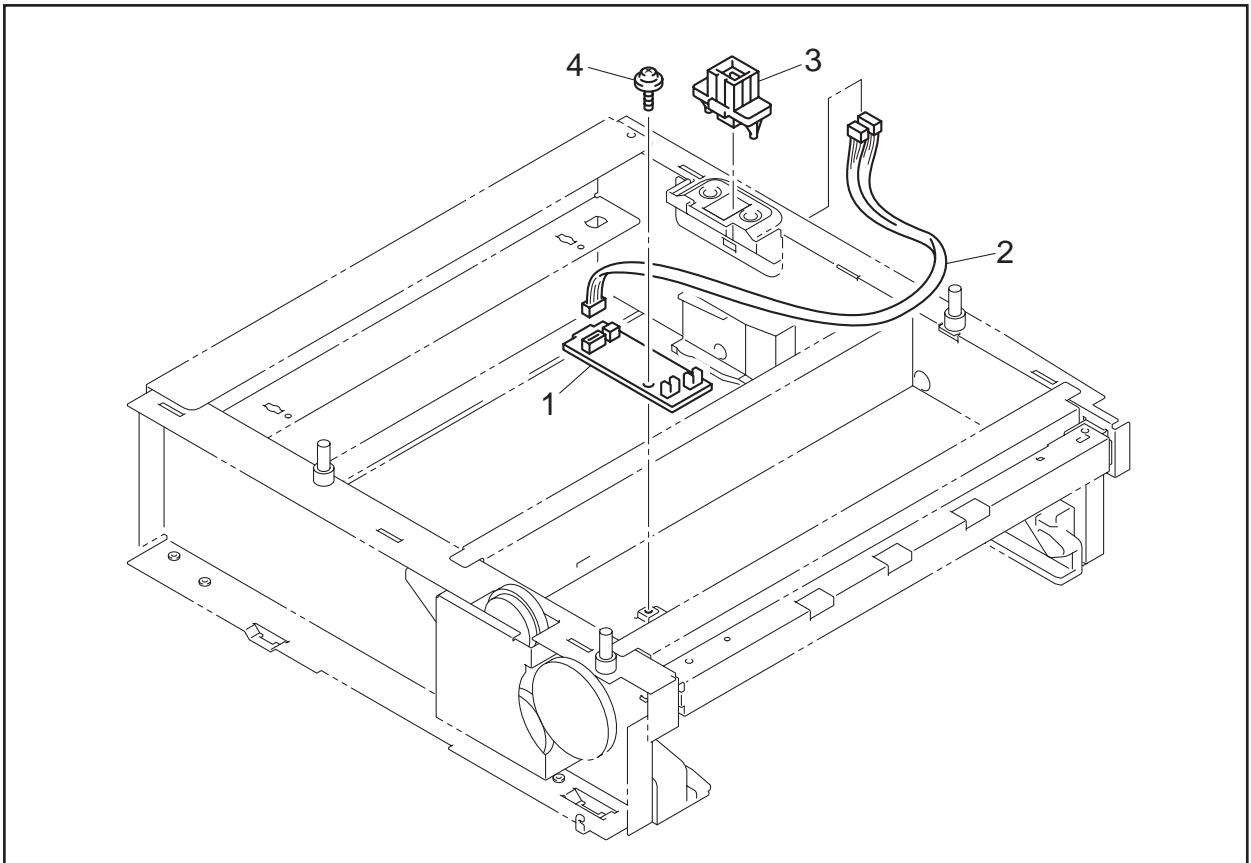
MODEL LT-5000 84U-X21-100

4. ACCESSORIES

REF.NO.	CODE	Q'TY	DESCRIPTION	REMARK
1	LJ7845001	1	SET GUIDE LT-5000 US	
1	LJ7846001	1	SET GUIDE LT-5000 EUR	

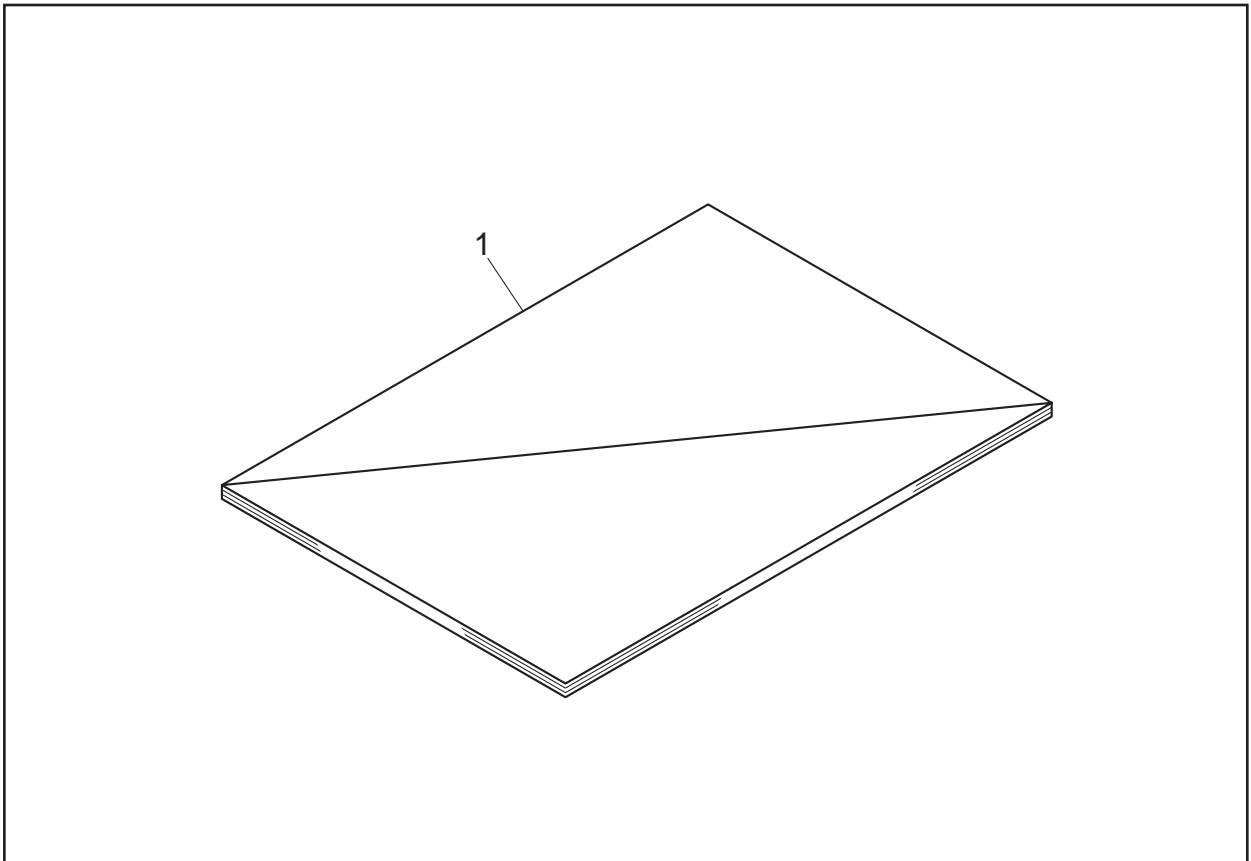
MODEL LT-5000 84U-X21-920

3. PCB



MODEL LT-5000 84U-X21-100

4. ACCESSORIES



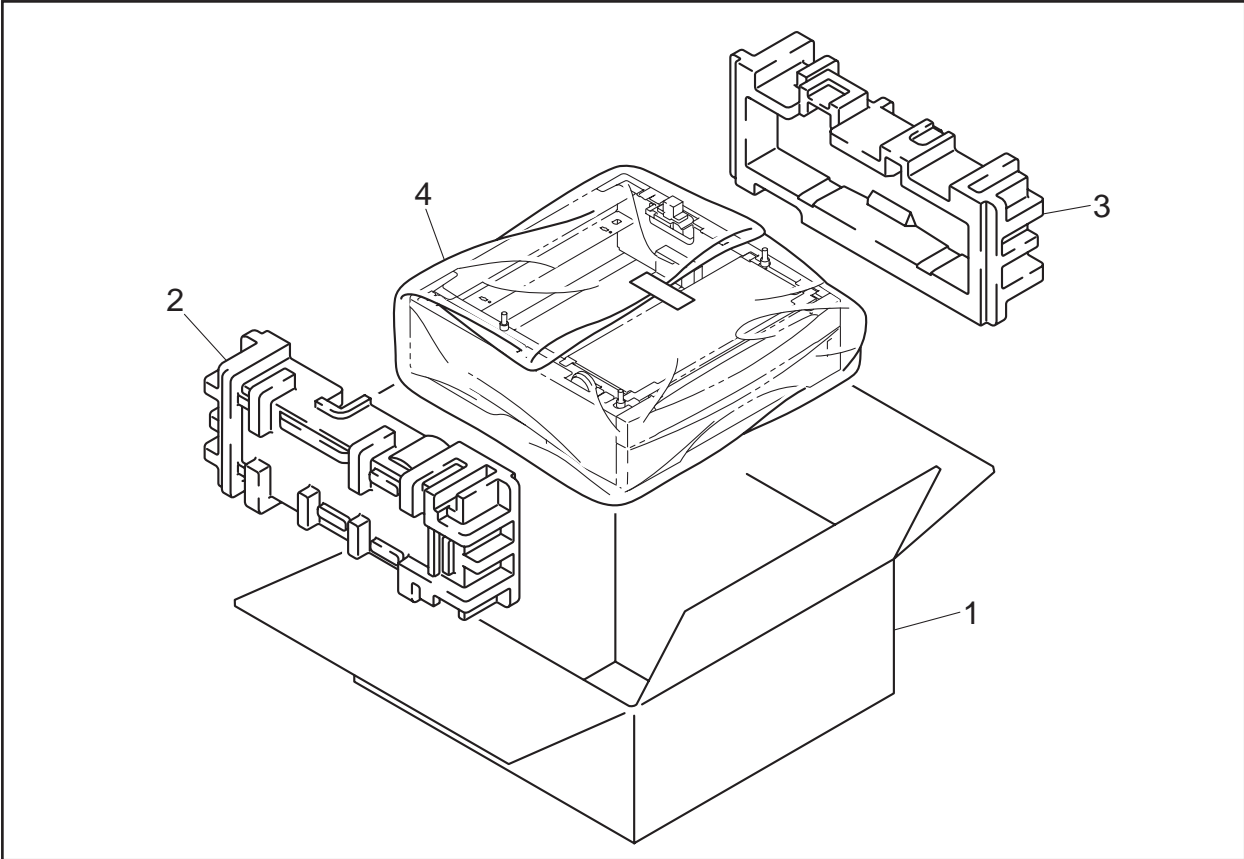
MODEL LT-5000 84U-X21-920

5. PACKING MATERIALS

REF.NO.	CODE	Q'TY	DESCRIPTION	REMARK
1	LL0669001	1	CARTON, LT-5000	
2	LL0642001	1	POLYSTYRENE FOAM PAD, L	
3	LL0643001	1	POLYSTYRENE FOAM PAD, R	
4	LJ5590001	1	BAG, 550X650H	

MODEL LT-5000 84U-X21-930

5. PACKING MATERIALS



MODEL LT-5000 84U-X21-930