



**Home Sewing Machine
PARTS REFERENCE LIST**

**MODEL: LS-1217
LS-1317
LS-1417
LS-1217B**

MECHANISMS & ELECTRONICS

CONFIDENTIAL

Copyright © 2010 Brother Industries, Ltd.
All rights reserved.

CONTENTS

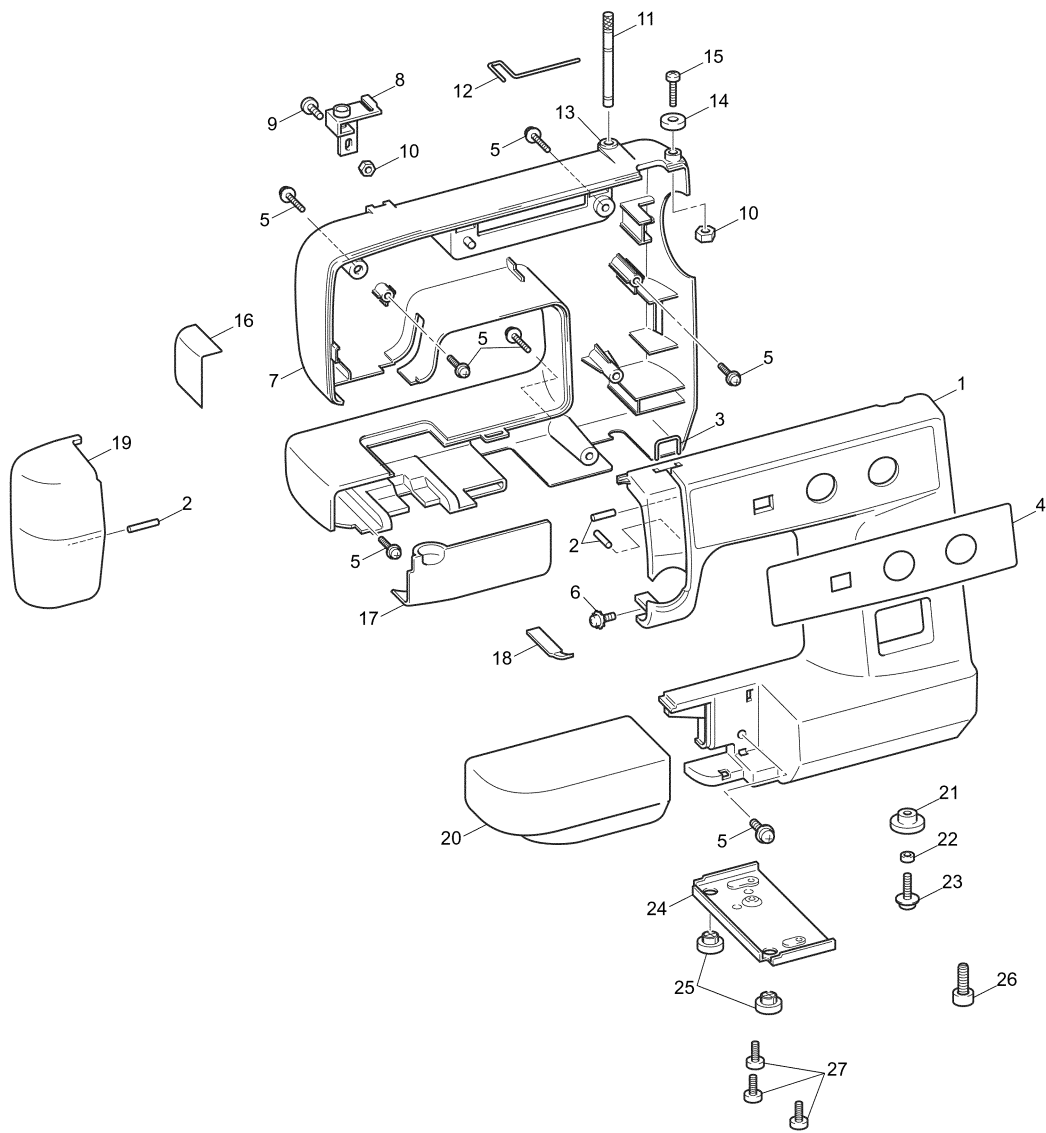
| | |
|---|----|
| (1) PRINCIPAL PARTS..... | 2 |
| (2) UPPER SHAFT AND NEEDLE BAR..... | 4 |
| (3) FEED MECHANISM | 6 |
| (4) PATTERN SELECTION, SHUTTLE HOOK AND UPPER TENSION..... | 8 |
| (5) LAMP AND MOTOR..... | 10 |
| (6) OTHER PARTS | 12 |

Note on parts:

We keep performance parts for this sewing machine for at least 8 years after this model is discontinued. Performance parts are the necessary parts to maintain the function of the sewing machine.

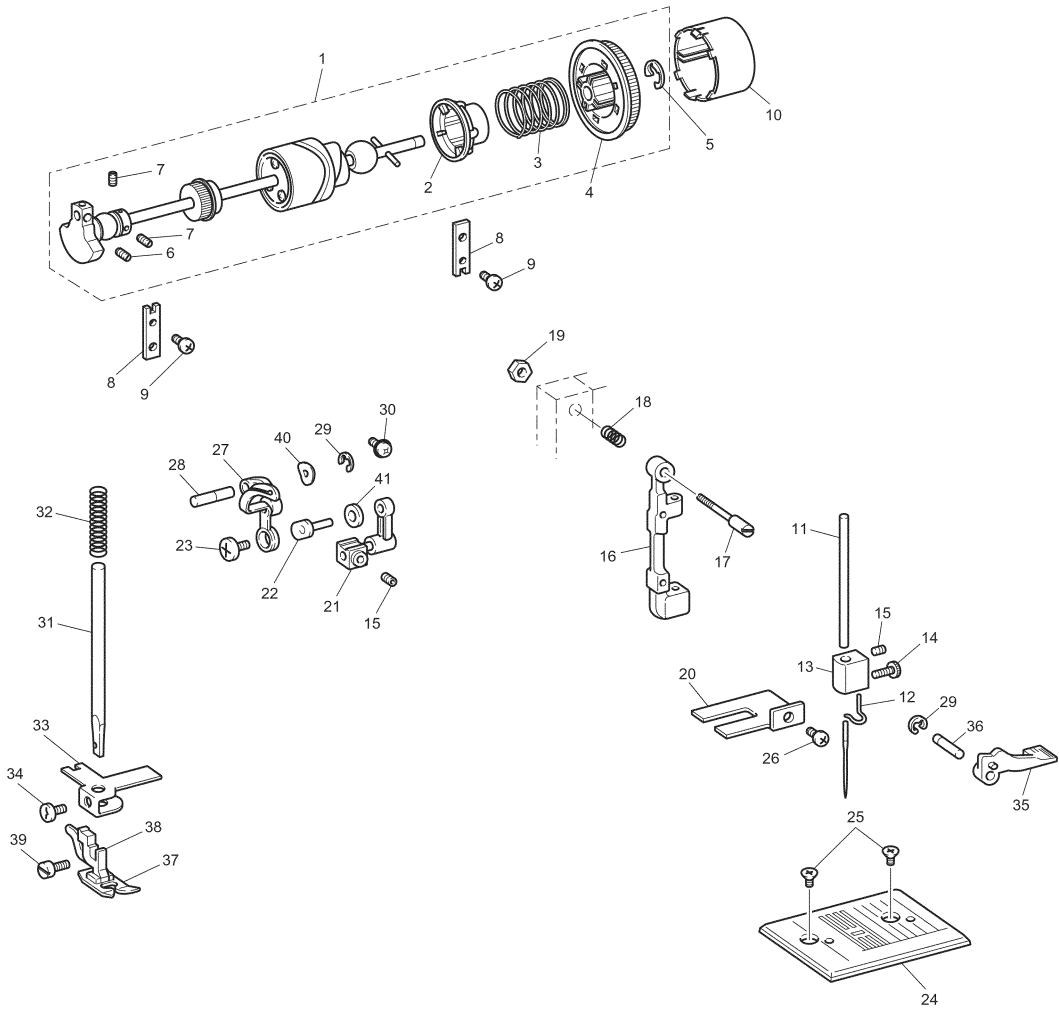
(1) PRINCIPAL PARTS

| No. | CODE | PARTS NAME | REMARKS |
|--------------------|-----------|---------------------------------------|------------|
| 1 | XA7922021 | FRONT COVER | |
| 2 | 0A0211850 | PIN SPRING ROLL BW2 | |
| 3 | X53625121 | UPPER COVER THREAD GUIDE | |
| 4 | XA7923021 | DECORATION PLATE (LS1217, LS1217B) | |
| | XA7923022 | DECORATION PLATE (LS1317) | ADD |
| | XA7923023 | DECORATION PLATE (LS1417) | ADD |
| 5 | XA3337022 | TAPTITE, CUP P M4 X 20 | 040105 |
| 6 | 053400806 | SCREW, PAN (T WASHER) M4X8 | |
| 7 | XA7925021 | REAR COVER | 050102 |
| 8 | XA6106021 | THREAD GUIDE ASSY | 040161 |
| 9 | 0A5301006 | SCREW PAN (S/P WASHER) M3X10 | |
| 10 | 021300106 | NUT 1 M3 | |
| 11 | 188058121 | SPOOL PIN | |
| 12 | XA0628121 | SPOOL PIN SPRING | 1000012082 |
| 13 | XA8851021 | SPOOL PIN STAND | 050073 |
| 14 | X59864221 | BOBBIN PRESSER | 040152 |
| 15 | 052301606 | SCREW, PAN (S/P WASHER) M3X16 | |
| 16 | X57891021 | REFLECTOR | |
| 17 | XA7926021 | HINGED DOOR | |
| 18 | X53638121 | SPRING | CHG |
| 19 | XA7928021 | FACE PLATE | |
| 20 | XA7929021 | ACCESSORY TABLE | 050102 |
| 21 | X58361021 | RUBBER CUSHION | CHG |
| 22 | X56474021 | SPACER | |
| 23 | X57297021 | SCREW | |
| 24 | XA7932021 | BASE PLATE | |
| 25 | XA1805021 | BASE RUBBER A | |
| 26 | XA4687021 | ADJUSTING SCREW ASSY | CHG |
| 27 | 060400816 | SCREW BIND M4X8 | |
| NEW SPEC (LS1217B) | | | |
| 4 | XC1430021 | DECORATION PLATE (LEOPARD PATTERN) | ADD |
| | XC1430022 | DECORATION PLATE (ZEBRA PATTERN) | ADD |
| | XC1430023 | DECORATION PLATE (PINK PATTERN) | ADD |
| | | | |
| | 138172021 | SCREW, PAN (S/P WASHER) M4X10 | |
| | | | |
| | | | |
| | | | |
| | | | |
| | | | |
| | | | |
| | | | |



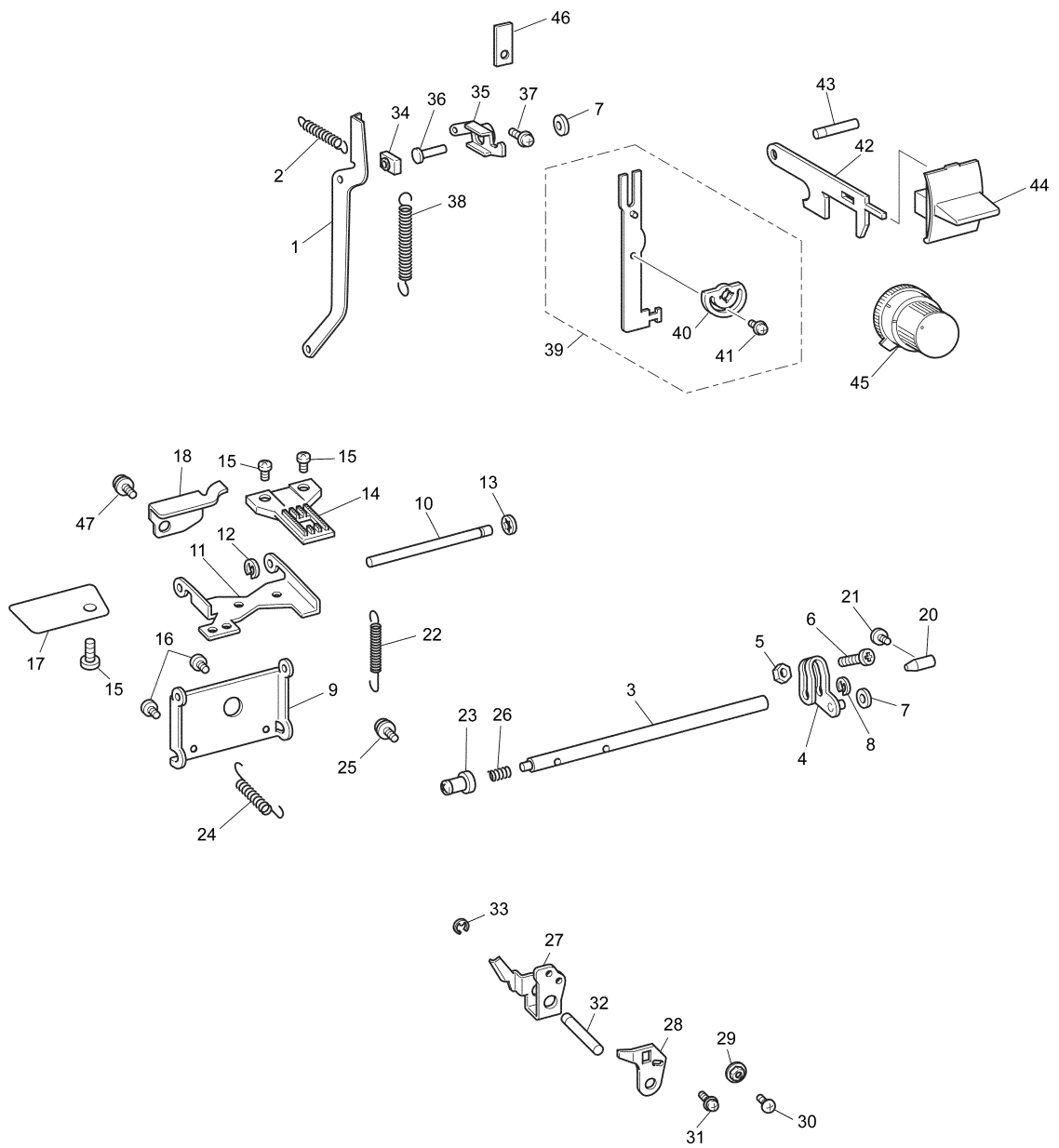
(2) UPPER SHAFT AND NEEDLE BAR

| No. | CODE | PARTS NAME | REMARKS |
|-----|-----------|---|------------|
| 1 | XE3692001 | UPPER SHAFT SUPPLY ASSY | 1000006160 |
| 2 | XA0637120 | CLUTCH PLATE | |
| 3 | XA0636020 | CLUTCH SPRING | |
| 4 | XA0638120 | TIMING PULLEY | |
| 5 | 048080346 | RETAINING RING E8 | 1000001452 |
| 6 | 012500532 | SET SCREW SOCKET (FT) M5X5 | 1000010653 |
| 7 | 014400432 | SET SCREW SOCKET (CP) M4X4 | |
| 8 | X52478021 | BUSHING PRESSER | |
| 9 | X57908021 | TAPTITE, BIND S M4 X 10 | 040105 |
| 10 | XA0639021 | BALANCE WHEEL | |
| 11 | XA2358121 | NEEDLE BAR | |
| 12 | XA0642120 | NEEDLE BAR THREAD GUIDE | |
| 13 | XA0643121 | NEEDLE CLAMP | |
| 14 | XA0644021 | NEEDLE CLAMP SCREW | |
| 15 | 012400432 | SET SCREW SOCKET (FT) M4X4 | |
| 16 | XA8983021 | NEEDLE BAR SUPPORTER | |
| 17 | XA3477021 | NEEDLE BAR SUPPORTER STUD | 1000002222 |
| 18 | X54369021 | SPRING | |
| 19 | X56851021 | LOCK NUT | |
| 20 | XA3953021 | NEEDLE BAR SUPPORTER | |
| 21 | XA1289121 | NEEDLE BAR CRANK ROD ASSY | |
| 22 | XA1113221 | NEEDLE BAR CRANK | 1000001814 |
| 23 | 132051022 | SCREW, FLAT SM3.57-40X7 L | |
| 24 | XA3954121 | ZIGZAG NEEDLE PLATE | 1000011532 |
| 25 | X50487051 | SCREW M4 | |
| 26 | X57908021 | TAPTITE, BIND S M4 X 10 | 040105 |
| 27 | XA1112121 | THREAD TAKE-UP ASSY | CHG |
| 28 | XA0648120 | THREAD TAKE-UP LEVER STUD | |
| 29 | 048050346 | RETAINING RING E5 | 1000001452 |
| 30 | X57913021 | TAPTITE, BIND S M4X16 | |
| 31 | 128437020 | PRESSER BAR | 040158 |
| 32 | X55770051 | PRESSER BAR SPRING | |
| 33 | XA0975021 | PRESSER BAR GUIDE BRACKET | |
| 34 | X52760021 | SET SCREW, PAN M6 X 12 | CHG |
| 35 | XA2511121 | PRESSER FOOT LIFTER | |
| 36 | XA0977120 | PRESSER FOOT LIFTER STUD | |
| 37 | 131046051 | ZIGZAG PRESSER FOOT ASSEMBLY (OTHER) | |
| | 138135122 | ZIGZAG PRESSER FOOT (LS1217: USA) | ADD |
| 38 | 138134021 | PRESSER FOOT HOLDER (LS1217: USA) | ADD |
| 39 | 132730122 | TIGHTENING SCREW 3.57 | CHG |
| 40 | XA1866021 | WASHER, SPRING | 050209 |
| 41 | X53330020 | WASHER | 1000003111 |
| | | | |



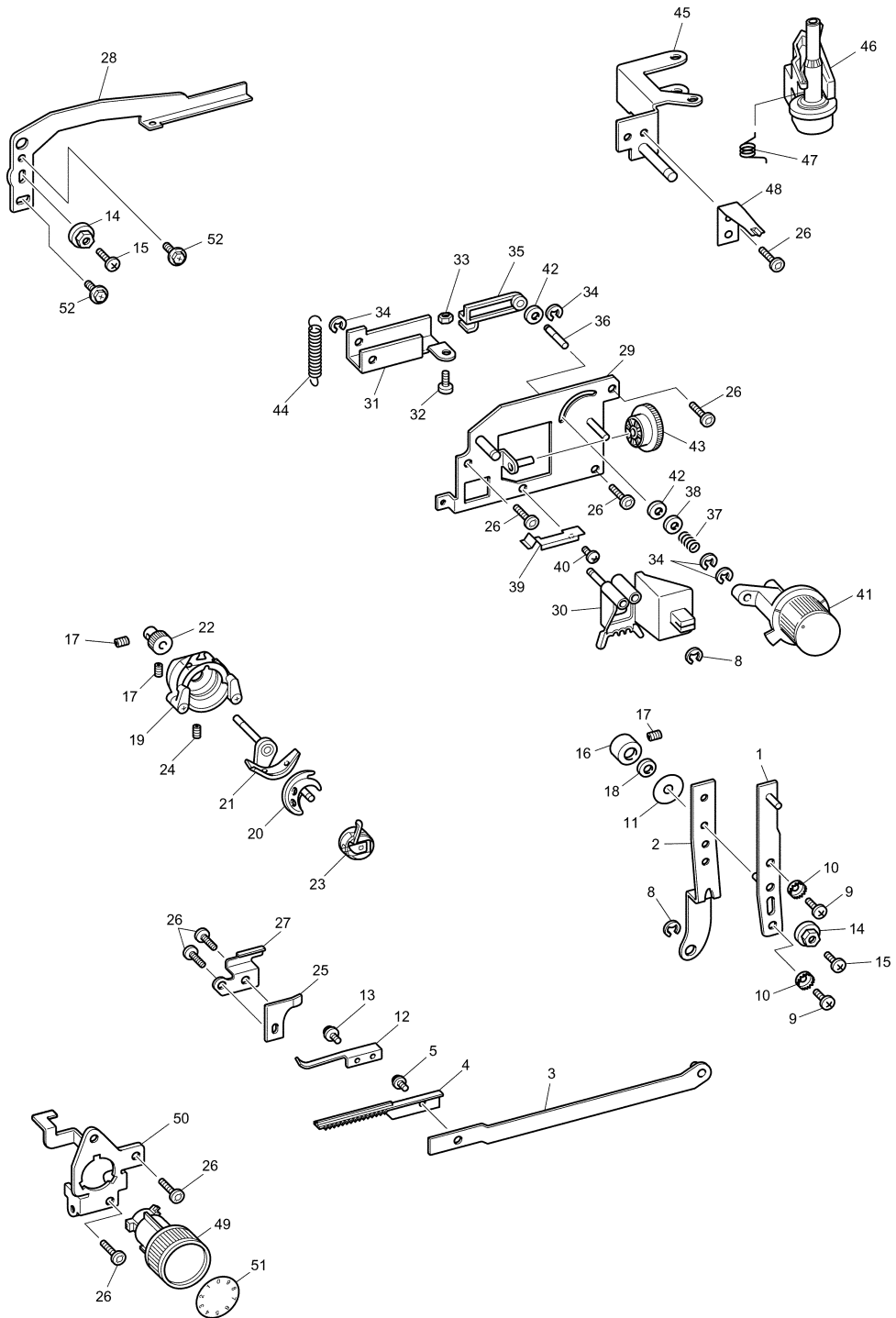
(3) FEED MECHANISM

| NO | CODE | PARTS NAME | REMARKS | NO | CODE | PARTS NAME | REMARKS |
|----|-----------|--------------------------------|------------|----|-----------|-------------------------------|------------|
| 1 | XA0978021 | FEED CONNECTING ROD ASSY | | 45 | XA7961021 | FEED DIAL CAM | |
| 2 | XA0980021 | SPRING | | 46 | X50532051 | PRESSER PLATE | |
| 3 | XA0982020 | HORIZONTAL FEED SHAFT | | 47 | 138172021 | SCREW, PAN (S/P WASHER) M4X10 | 1000017555 |
| 4 | XA0983121 | HORIZONTAL FEED ARM ASSEMBLY | | | | | |
| 5 | 021400205 | NUT 2 M4 | | | | | |
| 6 | 060401416 | SCREW BIND M4X14 | | | | | |
| 7 | X53330020 | WASHER | CHG | | | | |
| 8 | 048050346 | RETAINING RING E5 | 100001452 | | | | |
| 9 | XA0987021 | HORIZONTAL FEED PLATE | | | | | |
| 10 | XA0988021 | FEED STAND SHAFT | | | | | |
| 11 | XA3960021 | FEED STAND | | | | | |
| 12 | 048030346 | RETAINING RING E3 | 100001452 | | | | |
| 13 | 146200021 | RETAINING RING, CS4 | | | | | |
| 14 | XA4430021 | FEED DOG | | | | | |
| 15 | 060300416 | SCREW BIND M3X4 | | | | | |
| 16 | 060400816 | SCREW BIND M4X8 | 1000017555 | | | | |
| 17 | XA3474021 | DUST PROTECT PLATE | | | | | |
| 18 | XA4042120 | FEED STAND SUPPORT | | | | | |
| 19 | 025040133 | WASHER, PLAIN S 4 | 1000017555 | | | | |
| 20 | XA1082051 | TAPER POINT STUD R | | | | | |
| 21 | XZ0074021 | TAPTITE, CUP S 4X16 | | | | | |
| 22 | XA0991021 | SPRING | | | | | |
| 23 | X55472021 | TAPER POINT STUD L ASSEMBLY | | | | | |
| 24 | XA4692021 | SPRING | CHG | | | | |
| 25 | XA0649021 | TAPTITE, CUP S M4X14 | | | | | |
| 26 | X56613021 | SPRING | | | | | |
| 27 | XA3480021 | VERTICAL FEED ARM | | | | | |
| 28 | XA3481021 | VERTICAL FEED ADJUSTER | | | | | |
| 29 | X50559020 | ZIGZAG ADJUSTING NUT | CHG | | | | |
| 30 | 062300806 | SCREW PAN M3X8 | | | | | |
| 31 | 060400516 | SCREW BIND M4X5 | | | | | |
| 32 | XA0995121 | VERTICAL FEED SHAFT | | | | | |
| 33 | 048060346 | RETAINING RING E6 | 100001452 | | | | |
| 34 | XA0030021 | FEED SQUARE BLOCK | CHG | | | | |
| 35 | XA0996020 | FEED REGULATOR | CHG | | | | |
| 36 | XA0997020 | FEED REGULATOR SHAFT | CHG | | | | |
| 37 | X57908021 | TAPTITE, BIND S M4 X 10 | 040105 | | | | |
| 38 | XA4675021 | SPRING | | | | | |
| 39 | XA9167021 | FEED REGULATOR PLATE ASSEMBLY | | | | | |
| 40 | XA1002020 | REVERSE SEWING REGULATOR SHAFT | | | | | |
| 41 | 0A5300606 | SCREW PAN (S/P WASHER) M3X6 | 1000011101 | | | | |
| 42 | XA7989021 | REVERSE SEWING LEVER PLATE | | | | | |
| 43 | XA1004120 | REVERSE SEWING SHAFT | | | | | |
| 44 | XA7960021 | REVERSE SEWING BUTTON | | | | | |



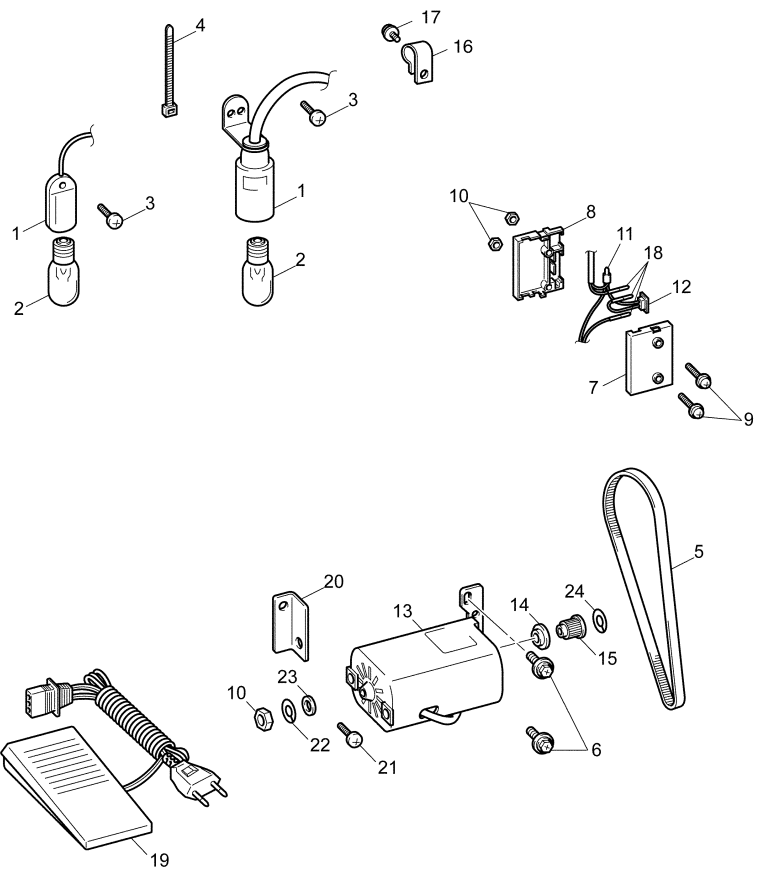
(4) PATTERN SELECTION, SHUTTLE HOOK AND UPPER TENSION

| NO | CODE | PARTS NAME | REMARKS | NO | CODE | PARTS NAME | REMARKS |
|----|----------------------|--------------------------------|------------|----|-----------|---------------------------------|---------|
| 1 | XA4693121 | CAM DRIVE CONNECTING ROD A | | 43 | XA7984021 | ZIGZAG CAM | |
| 2 | XA1012221 | CAM DRIVE CONNECTING ROD B | | 44 | XA1044021 | SPRING | |
| 3 | XA1014021 | CAM DRIVE ROD C SUB ASSY | | 45 | XA7986021 | BOBBIN WINDER HOLDER SUB ASSY | |
| 4 | XA1017120 | RACK | | 46 | XA1049021 | BOBBIN WINDER SPINDLE ASSEMBLY | |
| 5 | XC7564021 | SCREW, PAN (S/P WASHER) M3X6 | 1000008646 | 47 | X59939021 | BOBBIN WINDER SPRING | |
| 6 | XA3439021 | SPRING | DEL | 48 | XA7988021 | F DIAL SPRING | |
| 7 | 446200054 | STOP RING | DEL | 49 | XA1052021 | UPPER TENSION CONTROL DIAL | |
| 8 | 048040346 | RETAINING RING E4 | 1000001452 | 50 | XA4426021 | TENSION CONTROL HOLDER ASSEMBLY | |
| 9 | 060400816 | SCREW BIND M4X8 | | 51 | XA1255121 | THREAD TENSION LABEL | CHG |
| 10 | XA6909021 | TOOTHED WASHER | | 52 | XA8474021 | UPSET 4X12 DB | 050221 |
| 11 | 131976020 | WASHER, THRUST | CHG | | | | |
| 12 | XA1019021 | RACK PLATE SPRING | | | | | |
| 13 | XA8290021 | TAPTITE, BIND S M4X8 | CHG | | | | |
| 14 | X50559020 | ZIGZAG ADJUSTING NUT | | | | | |
| 15 | 062301006 | SCREW PAN M3X10 | | | | | |
| 16 | X52077121 | COLLAR | 050091 | | | | |
| 17 | 014400432 | SET SCREW SOCKET (CP) M4X4 | | | | | |
| 18 | X53330020 | WASHER | | | | | |
| 19 | XA1317051 | SHUTTLE RACE ASSEMBLY | | | | | |
| 20 | 128581053 | SHUTTLE HOOK | | | | | |
| 21 | XA1021051 | SHUTTLE DRIVER ASSY | | | | | |
| 22 | XA1025021 | DRIVER SHAFT GEAR | | | | | |
| 23 | 128582023 | BOBBIN CASE ASSEMBLY | 040130 | | | | |
| 24 | 014400632 | SET SCREW SOCKET (CP) M4X6 | | | | | |
| 25 | X57313121 | RACK STOPPER | | | | | |
| 26 | X57908021 | TAPTITE, BIND S M4 X 10 | 040105 | | | | |
| 27 | XA5702021 | RACK STOPPER A | | | | | |
| 28 | XA7976021 | ZIGZAG CONNECTING ROD | | | | | |
| 29 | XA7994021 | ZIGZAG BASE SUB ASSEMBLY | | | | | |
| 30 | XA7978021 | NEEDLE POSITION SELECTOR ASSY | | | | | |
| 31 | XA1036021 | ZIGZAG LINK | | | | | |
| 32 | X57953021 | SCREW | | | | | |
| 33 | X56960021 | NUT 4 | CHG | | | | |
| 34 | 048030346 | RETAINING RING E3 | 1000001452 | | | | |
| 35 | XA7980021 | ZIGZAG ADJUSTER CONNECTING ROD | | | | | |
| 36 | XA7981020 | CONNECTING ROD PIN | | | | | |
| 37 | XA1040021 | SPRING | | | | | |
| 38 | 025040133 | WASHER, PLAIN S 4 | | | | | |
| 39 | XA7982021 | NOTCHED SPRING | | | | | |
| 40 | 060300416 | SCREW BIND M3X4 | | | | | |
| 41 | XA7983021 | Z DIAL | | | | | |
| 42 | 137999050 | POLYESTER SLIDER | | | | | |
| | | | | | | | |
| | | | | | | | |



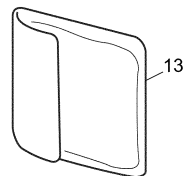
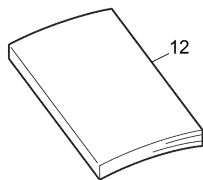
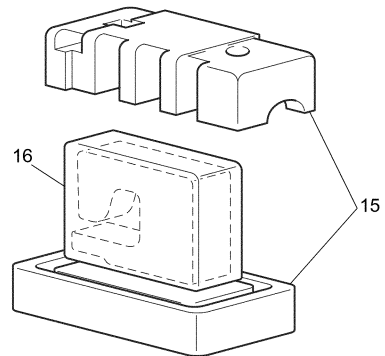
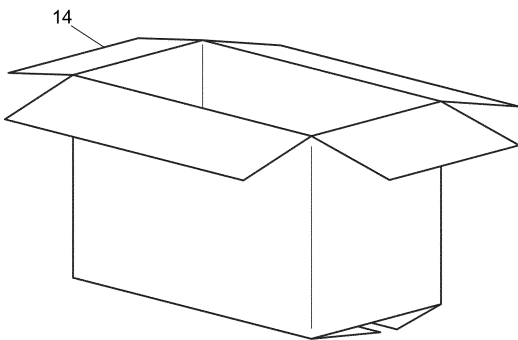
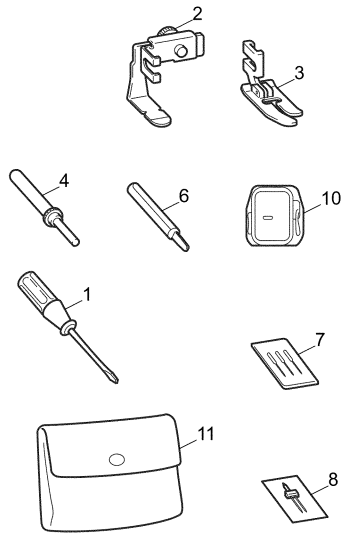
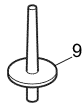
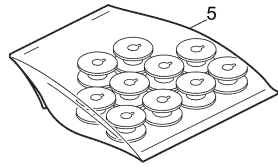
(5) LAMP AND MOTOR

| NO | CODE | PARTS NAME | REMARKS | NO. | CODE | PARTS NAME | REMARKS |
|----|-----------|---|------------|-----|-----------|----------------------------|------------|
| 1 | XC6789021 | ASSY: SEWING LAMP E12C#025 (USA, CAN, MEX) | 060049 | 23 | 102707023 | WASHER (USA, CAN, MEX) | |
| | XA1064021 | SEW-LIGHT ASSY (OTHER) | | 24 | 048060142 | RETAINING RING EXTERNAL C6 | 1000015830 |
| 2 | X53061020 | SEW-LIGHT BULB (100-120V) | | | | | |
| | 205336020 | SEW-LIGHT BULB L-4 (220-240V) | | | | | |
| 3 | X57984021 | TAPTITE, BIND S M3X20 (USA, CAN, MEX) | | | | | |
| | XA1623021 | TAPTITE, BIND S M3X10 (OTHER) | | | | | |
| 4 | X53169020 | BAND (EXCEPT: USA, CAN, MEX) | 040105 | | | | |
| 5 | XA1196021 | T BELT B163XXL4.8 | | | | | |
| 6 | XA3004021 | BOLT, (S/P WASHER) M5X12 | | | | | |
| 7 | XA8786021 | 3P SOCKET BODY | | | | | |
| 8 | XA8787021 | 3P SOCKET COVER | | | | | |
| 9 | 052403006 | SCREW, PAN (S/P WASHER) M4X30 | | | | | |
| 10 | 021400205 | NUT 2 M4 | 1000002958 | | | | |
| 11 | 214808020 | CONNECTOR: #3 | CHG | | | | |
| 12 | XA1070021 | PW SWITCH ASSY (USA, CAN, MEX) | | | | | |
| | XA1073021 | PW SWITCH ASSY (OTHER) | | | | | |
| 13 | XC7354221 | MOTOR: HFA-07150 FDM (120V 60Hz) | 1000015143 | | | | |
| | XC7599521 | MOTOR: NS-70 FDM220V (LS1217: ARG, CHL) | 1000015830 | | | | |
| | XC7436421 | MOTOR: NS-70 FDM230V (OTHER) | 1000015830 | | | | |
| | XD0851321 | MOTOR: NS-70 FDM220V/60HZ (LS1217: KOREA) | 1000015830 | | | | |
| 14 | XA1265120 | MOTOR T-PULLEY A | | | | | |
| 15 | XC7355021 | MOTOR T-PULLEY B | 050145 | | | | |
| 16 | XA7678021 | CORD CLAMP | 1000008457 | | | | |
| 17 | X57908021 | TAPTITE, BIND S M4X10 | 1000002958 | | | | |
| 18 | 138598021 | SOCKET PIN | 040105 | | | | |
| 19 | XC7359021 | FOOT CONTROLLER : KD-1902 (USA, CAN, MEX) | 060049 | | | | |
| | XC7438321 | FOOT CONTROLLER: KD-2902 (OTHER) | 050145 | | | | |
| | XC7456321 | FOOT CONTROLLER : KD-2902UK (UK) | 050086 | | | | |
| | XD0852021 | FOOT CONTROLLER: KD-2902KOREA (KOR) | 060085 | | | | |
| | XD0112021 | FOOT CONTROLLER: KD-2902IRAM (ARG) | | | | | |
| 20 | XE2842001 | MOTOR SUPPORTER (USA, CAN, MEX) | 1000002813 | | | | |
| 21 | XA8474021 | UPSET 4X12 DB (USA, CAN, MEX) | 1000002958 | | | | |
| 22 | 028040242 | WASHER SPRING 2-4 (USA, CAN, MEX) | | | | | |



(6) OTHER PARTS

| NO | CODE | NAME | REMARKS | NO | CODE | NAME | REMARKS |
|-----------|--------------------|---|------------|----|-----------|--|------------|
| 1 | X55467051 | SCREW DRIVER (KOR) | 060020 | | X59372021 | BLIND STITCH FOOT (LS1217: USA) | |
| | X55468051 | SCREW DRIVER S (KOR) | | | XA8545221 | QUICK REFERENCE GUIDE (USA, CAN) | 1000015640 |
| 2 | 103561002 | ZIPPER FOOT (OTHER) | 060110 | | XC1431021 | INSERTION SHEET LS-1217B (LS1217B) | |
| | X59370021 | ZIPPER FOOT (LS1217: USA) | | | 181401119 | INSERTION WARRANTY COUPON (LS1217: MEX) | |
| 3 | 125469251 | STRAIGHT STITCH FOOT ASSY (KOR) | | | 181401191 | INSERTION WARRANTY COUPON (LS1217: MEX) | |
| 4 | X54243051 | SEAM RIPPER (KOR) | | | | | |
| 5 | X52800120 | BOBBIN | | | | | |
| 6 | X55465051 | OILER (KOR) | 060183 | | XD0256121 | INSERTION WEEE (EUROPE) | |
| 7 | 129583001 | NEEDLE SET (3PCS) (KOR) | | | X57325021 | LABEL (LS1217: ARG, CHL, SIN) | |
| | 129583021 | NEEDLE SET (3PCS) (OTHER) | | | X60352020 | ACCESSORY TABLE PRESSER D | |
| 8 | 131096121 | NEEDLE SET (1PCE) | CHG | | X60726020 | FOOT CONTROLLER BOX | |
| 9 | 130920021 | EXTRA SPOOL PIN | CHG | | | | |
| 10 | XA3442121 | FEED DOG COVER | | | | | |
| 11 | XC4487021 | ACCESSORY BAG | CHG | | | | |
| 12 | 194402111 | INSTRUCTION BOOK (OTHER) | CHG | | | | |
| | 194402012 | INSTRUCTION BOOK (GER, BEL, HOL, AUT, SWI) | ADD | | | | |
| | 194412014 | INSTRUCTION BOOK (SWE) | ADD | | | | |
| | XC1931021 | INSTRUCTION BOOK (FIN) | ADD | | | | |
| | XC1932021 | INSTRUCTION BOOK (FIN) | ADD | | | | |
| 13 | XA2112022 | DUST COVER ASSY (EXCEPT: USA, CAN, MEX) | | | | | |
| 14 | X60360041 | COLOR CARTON (LS1217: USA) | CHG | | | | |
| | X60360045 | COLOR CARTON (LS1217: CHL, ARG) | CHG | | | | |
| | X61674023 | CARTON (OTHER) | ADD | | | | |
| | X61674031 | CARTON (LS1217: SIN) | ADD | | | | |
| | X61674024 | CARTON (LS1317) | ADD | | | | |
| | X61674025 | CARTON (LS1417) | ADD | | | | |
| | X60360038 | COLOR CARTON (LS1217B) | CHG | | | | |
| | X60360034 | COLOR CARTON (LS1217: CAN, MEX) | | | | | |
| X60360040 | COLOR CARTON (KOR) | | | | | | |
| 15 | X61390120 | 400SF ASSY | 060067 | | | | |
| 16 | X60439121 | BAG 630X630T | CHG | | | | |
| | LA6041001 | SECURITY TAG (USA, CAN) | ADD | | | | |
| | 130800021 | BAG 230X310H (EXCEPT: KOR) | ADD | | | | |
| | XA3805021 | 1/4' QUILTING FOOT (LS1217: USA) | 1000000880 | | | | |
| | XE2010001 | WARRANTY CARD BROTHER CANADA | 1000001038 | | | | |
| | XC0380021 | WARRANTY CARD (USA) | | | | | |
| | XC1153021 | WARRANTY CARD (ARG) | | | | | |
| | UH385100 | WARRANTY CARD EUR | 1000016851 | | | | |
| | XC6402021 | WARRANTY CARD UK | | | | | |
| | | | | | | | |
| | | | | | | | |



brother®

LS-1217/1317/1417/1217B
HF885402

05. 2000.
04. 2010.