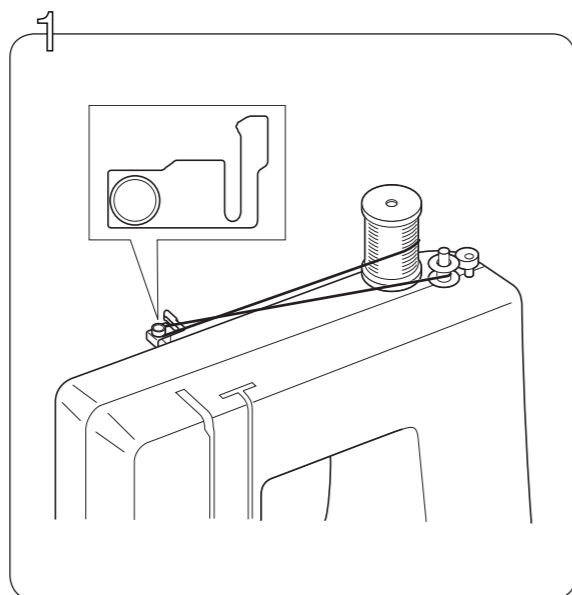
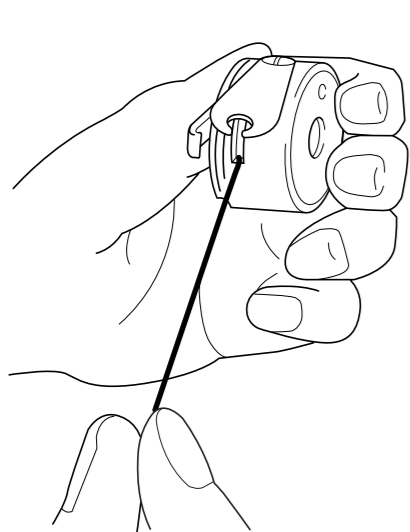
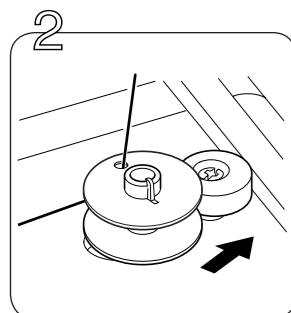


A

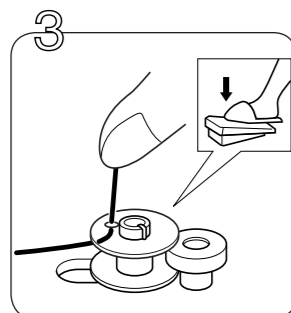
Filling the bobbin



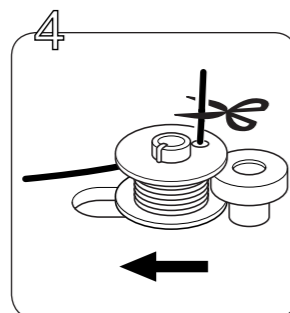
Place the thread spool on the spool pin and pass the thread around the bobbin winder thread guide.



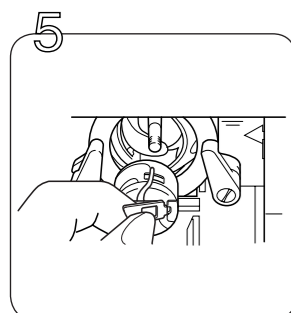
2 Pass the thread through the hole on the bobbin from inside, and slide the winding shaft to the right.



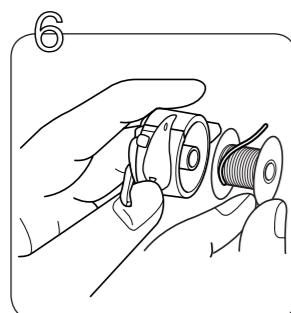
3 While holding the end of the thread, depress the foot controller.



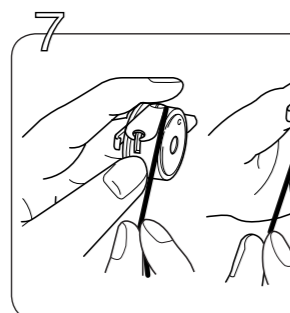
4 When the bobbin is full, it will stop winding. Cut the thread, slide the winding shaft to the left and remove the bobbin.



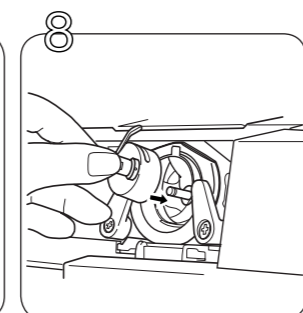
5 Raise the needle to its highest position and remove the bobbin case by pulling the latch.



6 Hold the bobbin case as shown, insert the bobbin with the thread coming from the bottom toward the top and the thread tail hanging out of the bobbin case.



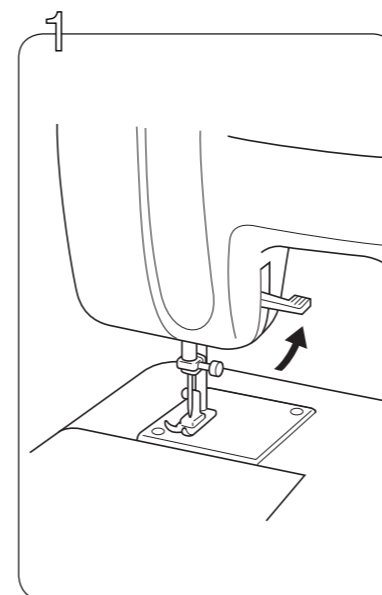
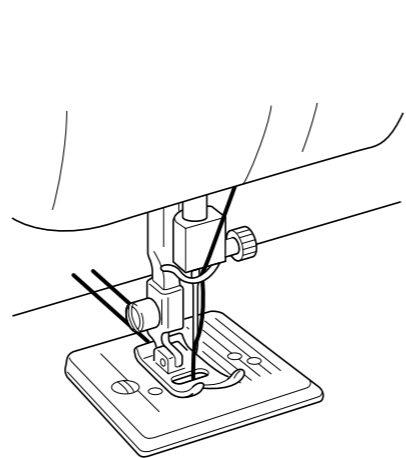
7 Pull the thread tail into the bobbin case groove, under the spring clip and into the thread guide hole.



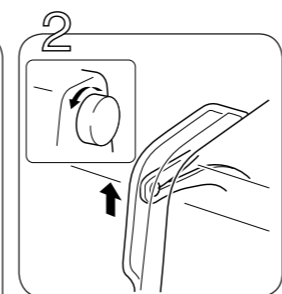
8 Holding the bobbin case by the latch align the finger with the top opening of the shuttle race, insert the case into the shuttle race and release the latch. The latch should hold the bobbin case in place.

B

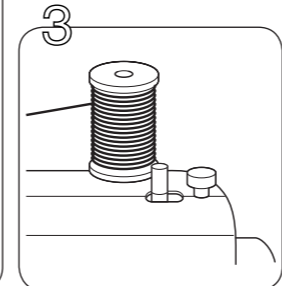
Threading the needle



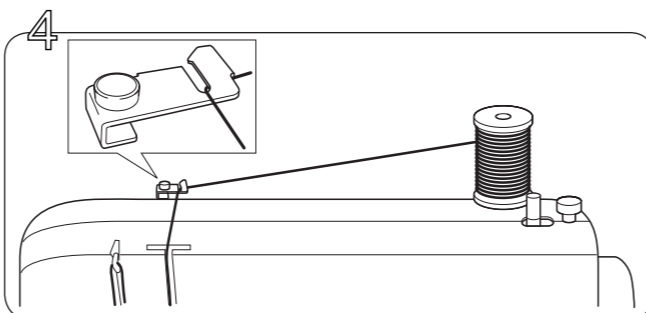
1 Raise the presser foot lifter.



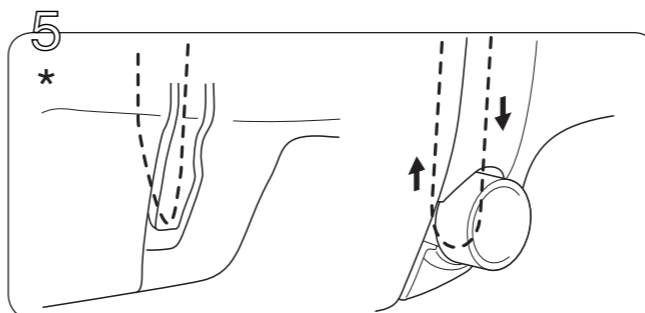
2 Raise the thread take-up lever to its highest position by turning the balance hand wheel.



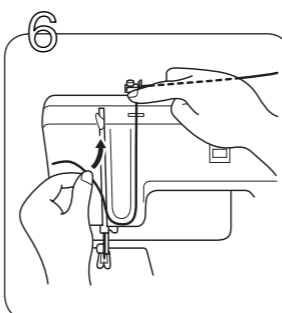
3 Place the thread spool on the spool pin.



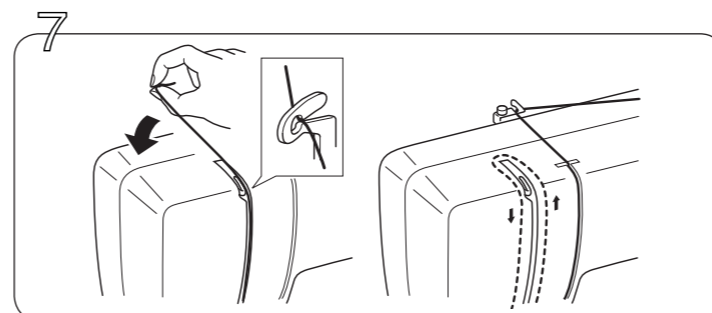
4 Pass the thread through the thread guide and down the right channel on the front of the machine.



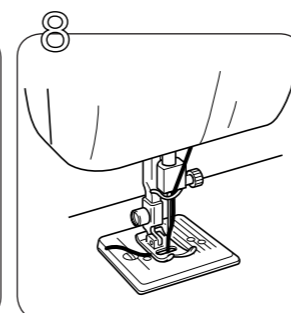
5 Pass the thread into the thread tension discs or *behind the thread tension dial from the right to the left.



6 Grasp the thread on both sides of the tension disc and pull to ensure it is in place.



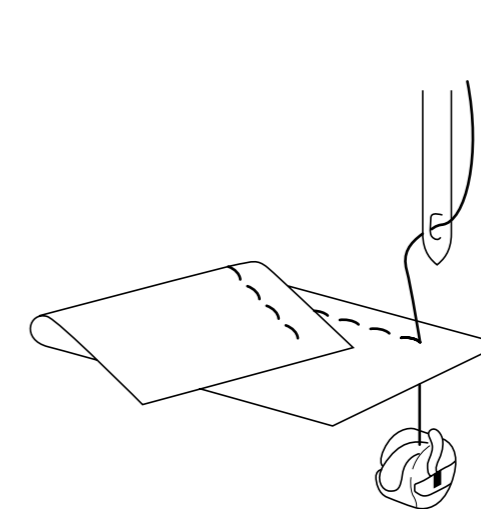
7 Guide the thread up the left channel, clear to the back of the opening around the take-up lever and back down the left side of the channel to thread the take-up lever.



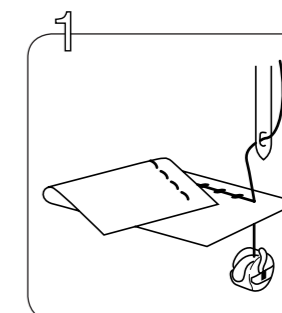
8 Thread the needle from front to back and pull out about 2" of thread.

C

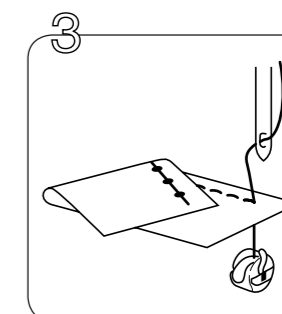
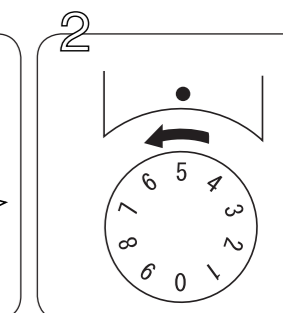
Thread tension



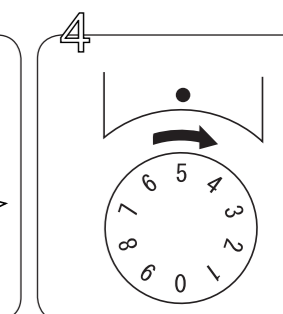
Correct thread tension



1 Upper thread tension is too tight. (Locks appear on the surface of the fabric.) Decrease the tension by turning the dial to a lower number.



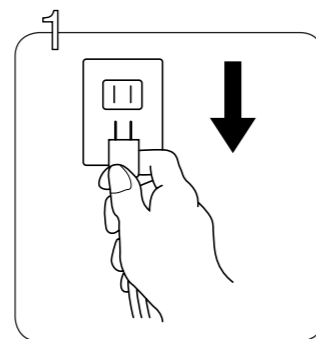
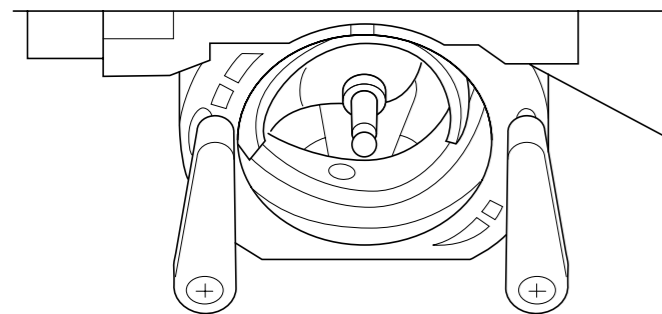
3 Upper tension is too loose. (Locks appear on the reverse side of the fabric.) Increase the tension by turning the dial a higher number.



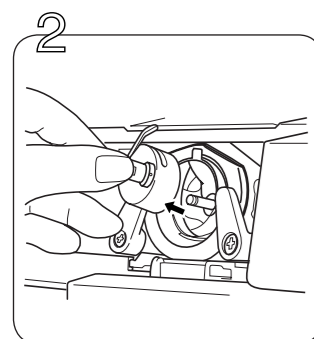
*If these actions do not correct the problem, please rethread the machine using step A and B.

D

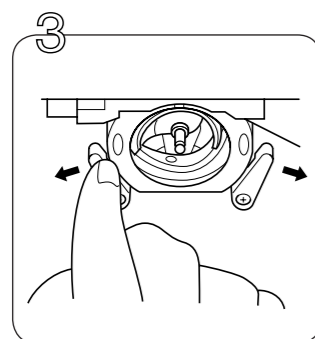
Cleaning bobbin case



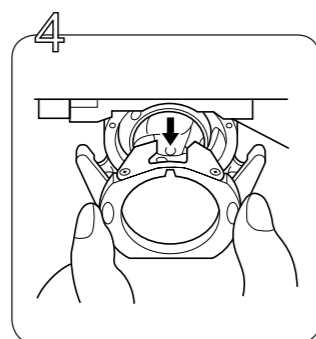
1 Remove the power plug from the outlet.



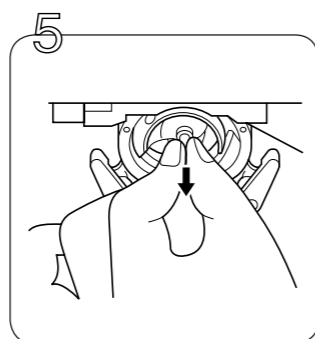
2 Raise the needle to its highest position, pull the latch and remove the bobbin case.



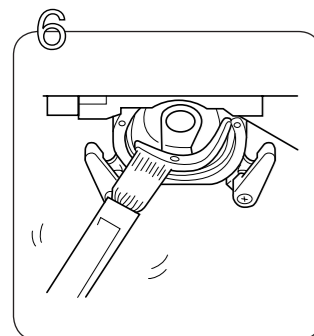
3 Slide the latch levers out from the retaining ring.



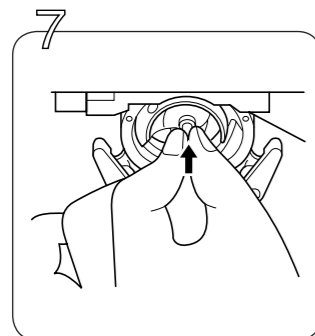
4 Remove the retaining ring.



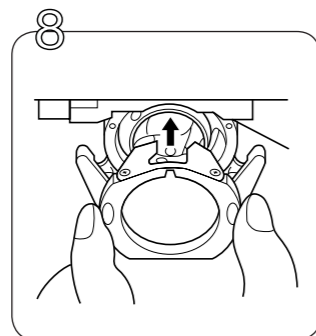
5 Remove the hook by grasping the center post and pulling out. Note its position related to the driver.



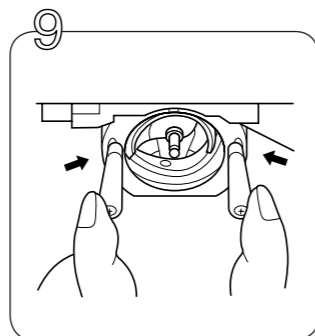
6 Remove any accumulated lint and thread with a brush.



7 Grasp the center post of the hook, match the hook position opposite the driver and insert.



8 Insert the retaining ring with the notch up.

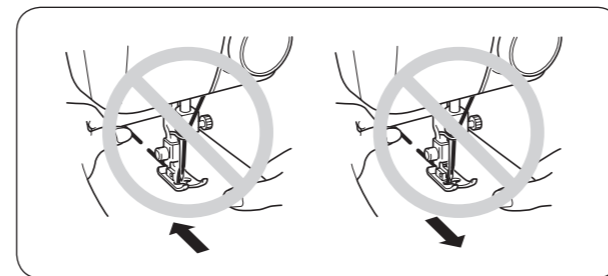


9 Push the latch levers into their locked position. Replace the bobbin case. (See A.)

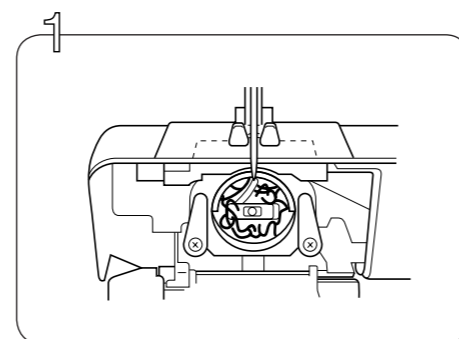
CAUTION

Troubleshooting

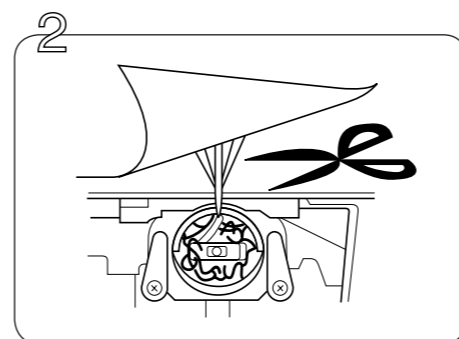
*Do not pull or push fabric while stitching. It may bend the needle causing it to break.



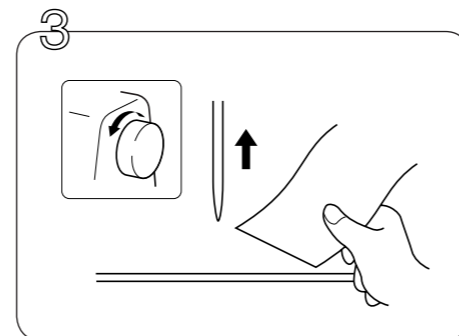
*Do not turn the balance wheel and pull the fabric by force when the thread is entangled or the motor is locked. If the thread is entangled, remove the thread and fabric according to the procedure below.



1 Open the hinged door and look for entangled thread.



2 Cut the entangled thread with small scissors above the needle plate and then gently remove the thread and fabric.



3 Turn the balance wheel to raise the needle, then remove the fabric.

4 Perform steps of "Cleaning bobbin case". (See D.)

*If machine runs but needle does not move, look to be sure bobbin winding shaft is moved to the left into the sewing position.

*****READ ME FIRST*****

Should you encounter any problem with your product:

***DO NOT RETURN THIS PRODUCT TO THE STORE**

*Please read the manual carefully. If you still need assistance, contact your nearest service center.

(FOR USA/CANADA ONLY)

Call: 877-Brother (276-8437) for Customer Service

***KEEP ALL PACKING MATERIAL AND CARTON FOR FUTURE TRANSPORT.**

TO REPACK: FOLLOW DIAGRAM BELOW

=REPACKING=

