



**FACSIMILE EQUIPMENT
PARTS REFERENCE LIST**

**MODEL: MFC210C / 420CN / 620CN
FAX2440C
DCP110C / 120C
(For U.S.A. / Canada)**

© Copyright Brother 2005

All rights reserved

No part of this publication may be reproduced in any form
or by any means without permission in writing from the
publisher.

Specifications are subject to change without prior notice.

NOTES FOR USING THIS PARTS REFERENCE LIST

1. In the case of ordering parts, it needs mentioning the following items:

- (1) Code
- (2) Q' ty
- (3) Description
- (4) Recommend (The √ mark is attached to recommend parts at this column.)
- (5) Symbol (PCB No., Revision, and Parts location mounted on the PCB.)

Note: No orders without Parts Code or Tool No. can be accepted.

[Example]

	(1)	(2)	(3)	(4)	(5)	
REF.NO.	CODE	Q' TY	DESCRIPTION	RECOMMEND	SYMBOL	REMARKS

2. Design-changed parts:

When the parts are changed, any one of the following symbols is mentioned in the REMARKS column.

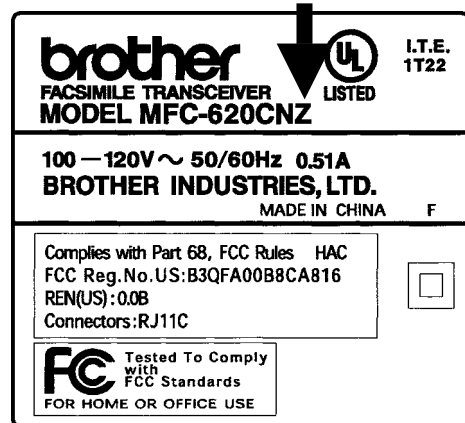
CHG (chg): The part is changed to a new part.

ADD (add): The part is newly added.

DEL (del): The part is deleted.

Symbol in capital letters indicates that the change is the latest one in the page.

3. Models in this parts reference list have the character "Z" at the end of model name. However, this "Z" does not appear after a model name when it is written on the control panel of the actual product. The difference between the new and old model can be determined by the character "Z" written on the Rating Label affixed to the back of the product. New models have the "Z", old models do not. The image at the right shows the label of a new model. Therefore, if there is the character "Z" in the label, use this parts reference list.

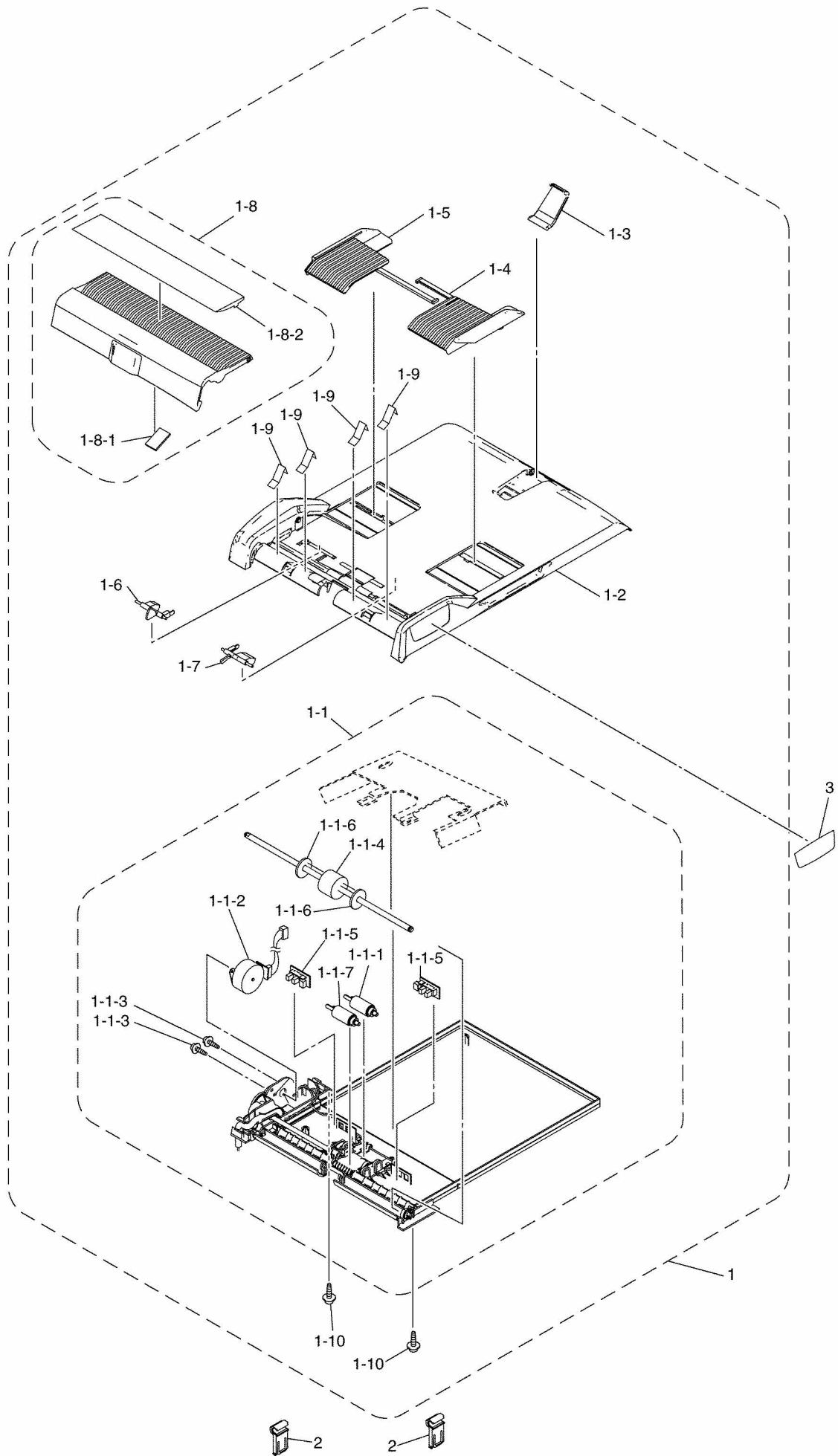


4. Parts change will be informed by the technical information.

COUNTRIES

U.S.A. ----- US

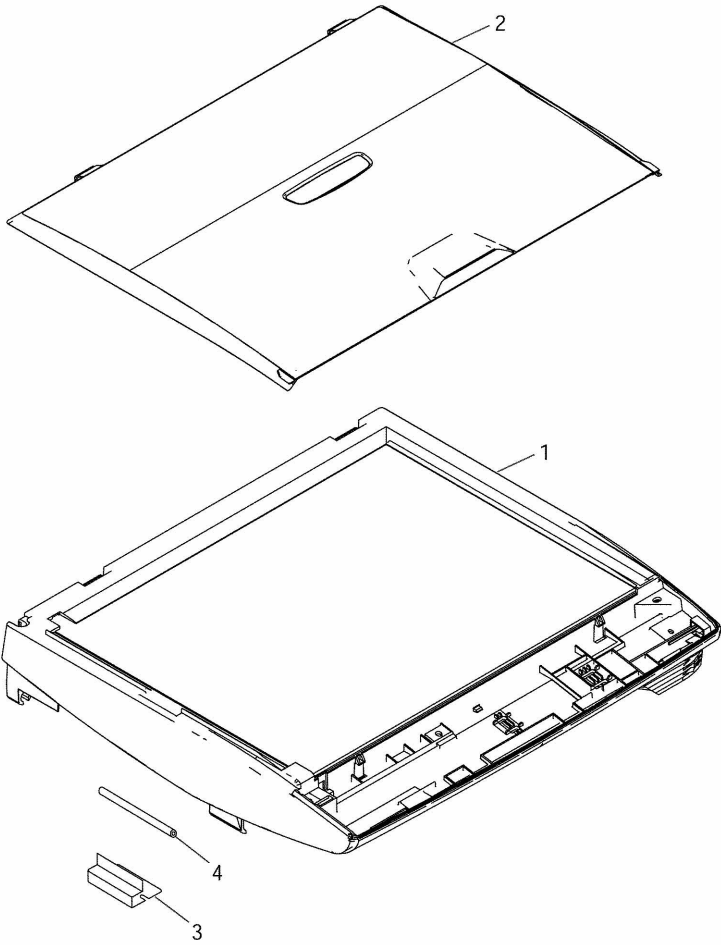
CANADA ---- CAN



List1(ADF)

REF No.	CODE	QTY	DESCRIPTION	RECOMMEND	REMARKS
1	LP5762005	1	ADF UNIT ASSY (SP), DCP120C	√	CHG
1	LP5762004	1	ADF UNIT ASSY (SP), FAX2440C	√	CHG
1	LP5762003	1	ADF UNIT ASSY (SP), MFC420CN/MFC620CN	√	CHG
1-1	LP0585001	1	DOCUMENT SUPPORT ASSY, DCP120C/FAX2440C/MFC420CN/MFC620CN		
1-1-1	LF7006001	1	DOCUMENT PULL-IN ROLLER, DCP120C/FAX2440C/MFC420CN/MFC620CN		
1-1-2	LF4953001	1	ADF MOTOR, DCP120C/FAX2440C/MFC420CN/MFC620CN		
1-1-3	0A5300605	2	SCREW, PAN (S/P WASHER) M3X6, DCP120C/FAX2440C/MFC420CN/MFC620CN		
1-1-4	LF4955001	1	DOCUMENT FEED ROLLER,, DCP120C/FAX2440C/MFC420CN/MFC620CN		
1-1-5	LG2239001	2	DOCUMENT SENSOR, DCP120C/FAX2440C/MFC420CN/MFC620CN		
1-1-6	LF7681001	2	ROLLER SUPPORT, DCP120C/FAX2440C/MFC420CN/MFC620CN		
1-1-7	LF4944001	1	DOCUMENT SEPARATION ROLLER, DCP120C/FAX2440C/MFC420CN/MFC620CN		
1-2	LP0139005	1	DOCUMENT COVER, GRAY(1792), DCP120C		
1-2	LP0139004	1	DOCUMENT COVER, GRAY(1737), FAX2440C		
1-2	LP0139003	1	DOCUMENT COVER, GRAY(1742), MFC420CN/MFC620CN		
1-3	LF4964005	1	DOCUMENT STOPPER, GRAY(1792), DCP120C		
1-3	LF4964004	1	DOCUMENT STOPPER, GRAY(1737), FAX2440C		
1-3	LF4964003	1	DOCUMENT STOPPER, GRAY(1742), MFC420CN/MFC620CN		
1-4	LF4965005	1	OUTPUT DOCUMENT SUPPORT, F, GRAY(1792), DCP120C		
1-4	LF4965004	1	OUTPUT DOCUMENT SUPPORT, F, GRAY(1737), FAX2440C		
1-4	LF4965003	1	OUTPUT DOCUMENT SUPPORT, F, GRAY(1742), MFC420CN/MFC620CN		
1-5	LF4966005	1	OUTPUT DOCUMENT SUPPORT, R, GRAY(1792), DCP120C		
1-5	LF4966004	1	OUTPUT DOCUMENT SUPPORT, R, GRAY(1737), FAX2440C		
1-5	LF4966003	1	OUTPUT DOCUMENT SUPPORT, R, GRAY(1742), MFC420CN/MFC620CN		
1-6	LF4967001	1	DOCUMENT FRONT SENSOR ACTUATOR, DCP120C/FAX2440C/MFC420CN/MFC620CN		
1-7	LF4968001	1	DOCUMENT REAR SENSOR ACTUATOR, DCP120C/FAX2440C/MFC420CN/MFC620CN		
1-8	LF4969005	1	ADF COVER ASSY, GRAY(1792), DCP120C		
1-8	LF4969004	1	ADF COVER ASSY, GRAY(1737), FAX2440C		
1-8	LF4969003	1	ADF COVER ASSY, GRAY(1742), MFC420CN/MFC620CN		
1-8-1	LF4975001	1	SEPARATION PAD, DCP120C/FAX2440C/MFC420CN/MFC620CN		
1-8-2	LF5356005	1	EXIT COVER, SMOKE GRAY(1796), DCP120C		
1-8-2	LF5356004	1	EXIT COVER, GRAY(1737), FAX2440C		
1-8-2	LF5356001	1	EXIT COVER, SMOKE GRAY(1478), MFC420CN/MFC620CN		
1-9	LF5144001	4	EXIT FILM, DCP120C/FAX2440C/MFC420CN/MFC620CN		
1-10	085411216	2	TAPTITE BIND B M4X12, DCP120C/FAX2440C/MFC420CN/MFC620CN		
2	LF4976005	2	HINGE, DCP120C		
2	LF4976001	2	HINGE, FAX2440C/MFC420CN/MFC620CN		
3	LF5081001	1	EMBLEM BROTHER, FAX2440C/MFC420CN/MFC620CN		chg
3	LP0188002	1	EMBLEM BROTHER, DCP120C		add

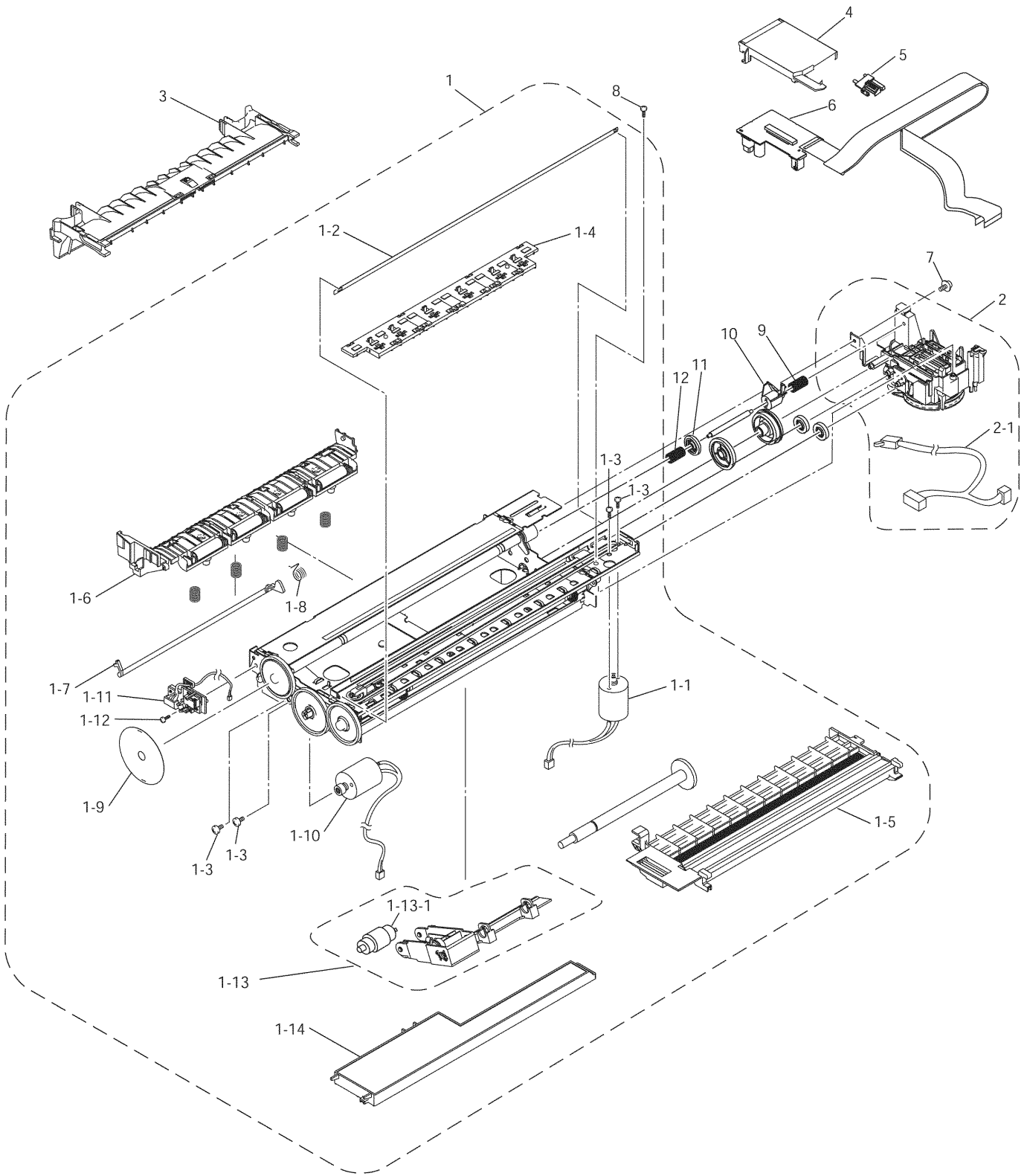
2 SCANNER



List2(SCANNER)

REF No.	CODE	QTY	DESCRIPTION	RECOMMEND	REMARKS
1	LF7732001	1	SCANNER UNIT, GRAY(1792), DCP110C	√	
1	LP5639005	1	SCANNER UNIT, GRAY(1792), DCP120C	√	CHG
1	LP5639004	1	SCANNER UNIT, GRAY(1737), FAX2440C	√	CHG
1	LP5639001	1	SCANNER UNIT, GRAY(1581), MFC210C FOR US	√	CHG
1	LP5641001	1	SCANNER UNIT2, GRAY(1581), MFC210C FOR CAN	√	CHG
1	LP5639003	1	SCANNER UNIT, GRAY(1742), MFC420CN/MFC620CN	√	CHG
2	LP0207001	1	DOCUMENT COVER ASSY, MFC210C/DCP110C		
3	LP0994001	1	HARNESS SUPPORT FILM, DCP120C/FAX2440C/MFC420CN/MFC620CN		chg
4	LF7087001	1	HARNESS SPACER, DCP120C/FAX2440C/MFC420CN/MFC620CN		

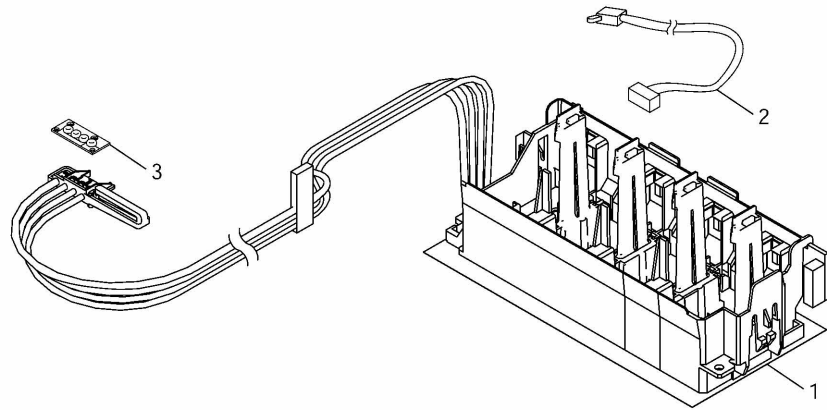
3 ENGINE



List3(ENGINE)

REF No.	CODE	QTY	DESCRIPTION	RECOMMEND	REMARKS
1	LF7963001	1	ENGINE UNIT SUPPLY ASSY		
1-1	LF4764001	1	CARRIAGE MOTOR		
1-2	LF4769001	1	CR ENCODER STRIP		
1-3	000300305	4	SCREW, BIND M3X3		
1-4	LP0555001	1	STAR WHEEL HOLDER ASSY A		chg
1-5	LF7525001	1	PLATEN		
1-6	LP0021001	1	PAPER PRESSURE HOLDER		
1-7	LF4789001	1	REGISTRATION SENSOR ACTUATOR		
1-8	LF4790001	1	SENSOR ACTUATOR SPRING		
1-9	LF4800001	1	PF ENCODER DISK		
1-10	LP0060001	1	PAPER FEED MOTOR		
1-11	LF4809001	1	SENSOR PCB		
1-12	087320616	1	TAPTITE, CUP S M3X6		
1-13	LF4812001	1	PAPER PULL-IN HOLDER		
1-13-1	LF4815001	1	AUTO SHEET FEEDER ROLLER ASSY		ADD
1-14	LF4818001	1	FLUSHING CASE		
2	LF7036001	1	PURGE UNIT	√	
2-1	LG5780001	1	INK CARTRIDGE/PURGE HP SWITCH HARNESS		
3	LF4806001	1	JAM CLEAR COVER		
4	LF7953001	1	HEAD COVER ASSY		
5	LP0057001	1	FFC SUPPORT		
6	LF7954001	1	CARRIAGE PCB SUPPLY ASSY		
7	087320616	1	TAPTITE, CUP S M3X6		
8	087310815	1	TAPTITE, CUP B M3X8		
9	LF4760001	1	PURGE LEVER SPRING (LONGER)		
10	LF4759001	1	PURGE LEVER		
11	LF4762001	1	CLUTCH GEAR		
12	LF4763001	1	CLUTCH GEAR SPRING (SHORTER)		

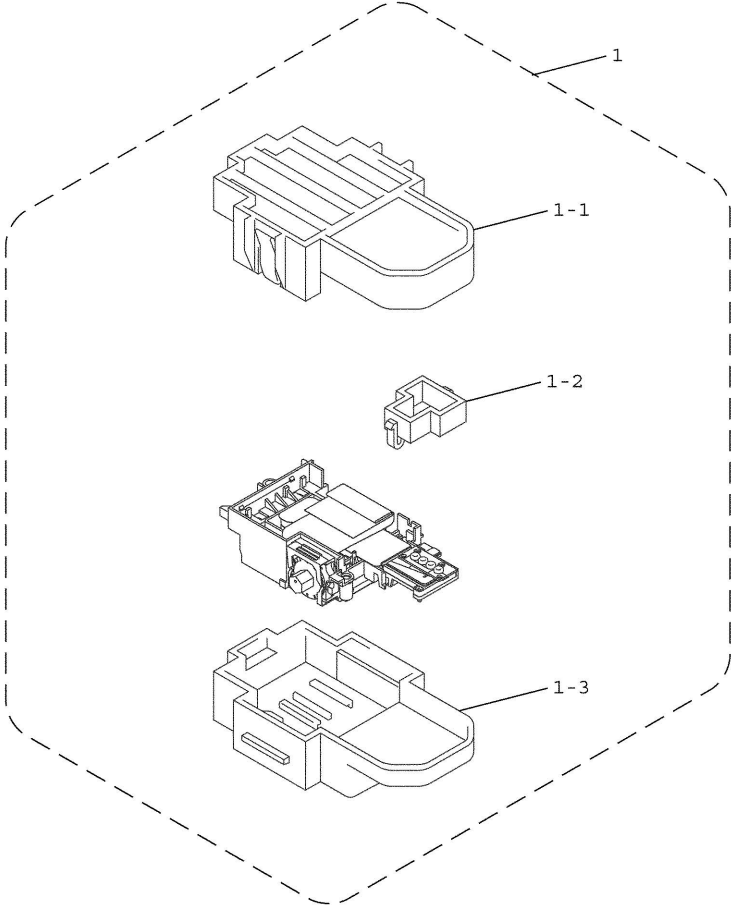
4 CARTRIDGE CASE



List4(CARTRIDGE CASE)

REF No.	CODE	Q.TY	DESCRIPTION	RECOMMEND	REMARKS
1	LP0472001	1	INK REFILL SUPPLY ASSY, DCP110C/DCP120C/MFC210C/MFC420CN/MFC620CN	√	
1	LP0472002	1	INK REFILL SUPPLY ASSY, FAX2440C	√	
2	LG5513001	1	BIG CARTRIDGE SENSOR HARNESS, FAX2440C		
3	LF7590001	1	HEAD JOINT RUBBER SUPPLY ASSY		

5 HEAD

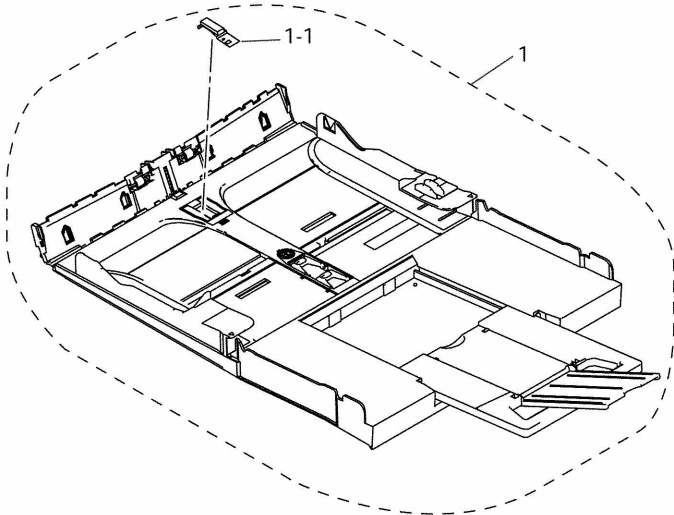
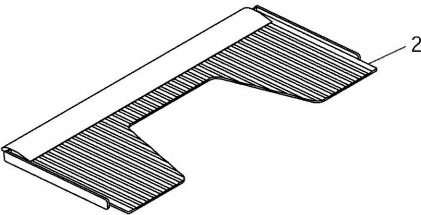


List5(HEAD)

REF No.	CODE	Q.TY	DESCRIPTION	RECOMMEND	REMARKS
1	LK1866001	1	HEAD/CARRIAGE SUPPLY ASSY (without CARRIAGE PCB ASSY) (*)		
1-1	LK1579001	1	NOZZLE PROTECTOR UPPER		
1-2	LK1581001	1	RUBBER JOINT PROTECTOR		
1-3	LK1580001	1	NOZZLE PROTECTOR LOWER		

*: Please see List 3, 6; CARRIAGE PCB SUPPLY ASSY

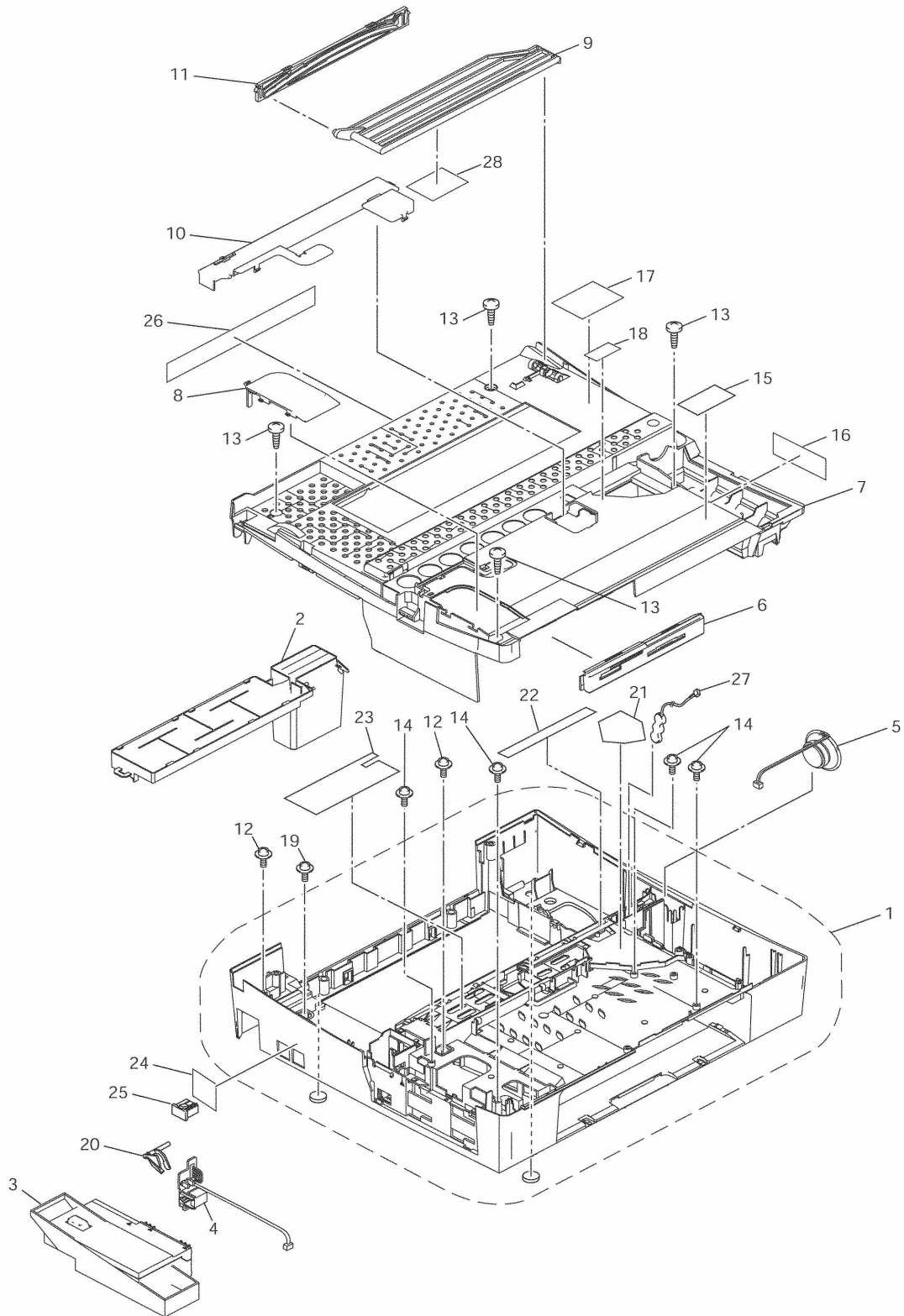
6 PAPER TRAY



List6(PAPER TRAY)

REF No.	CODE	Q.TY	DESCRIPTION	RECOMMEND	REMARKS
1	LF4855001	1	PAPER TRAY ASSY	√	
2	LF5063001	1	TRAY COVER		

7 COVER



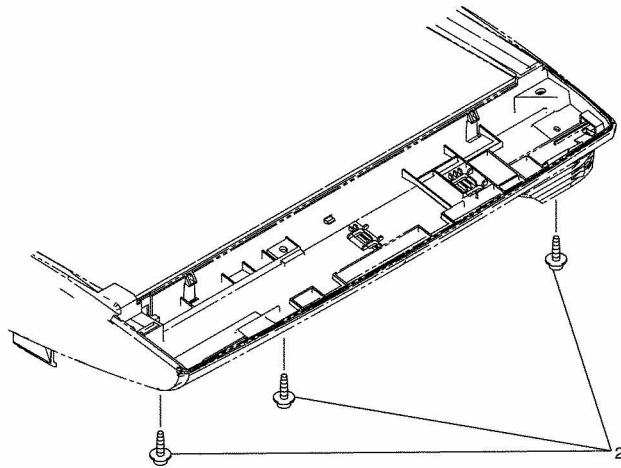
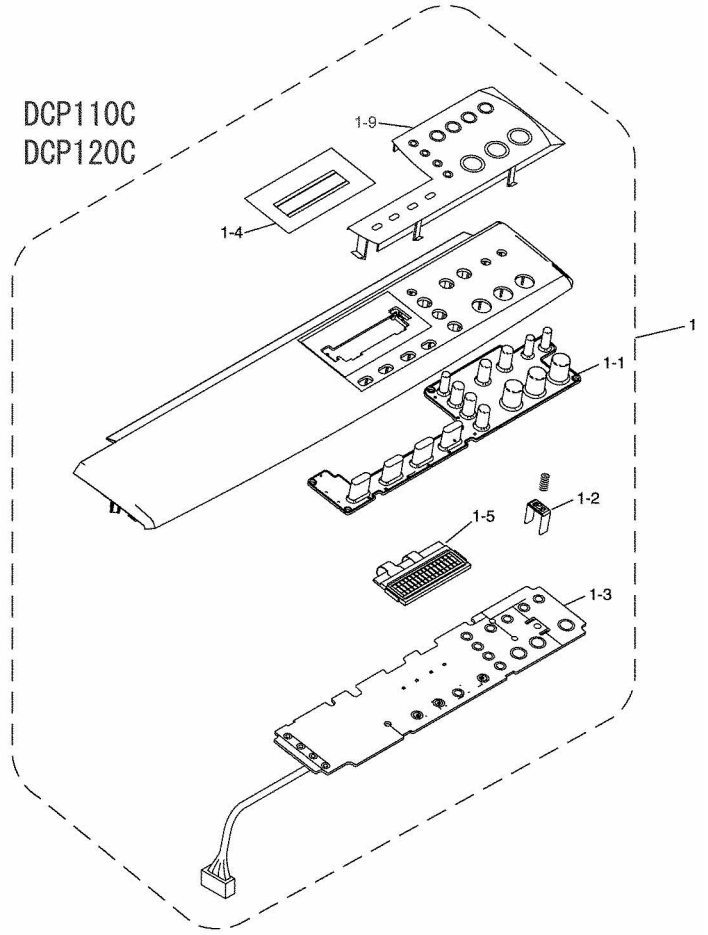
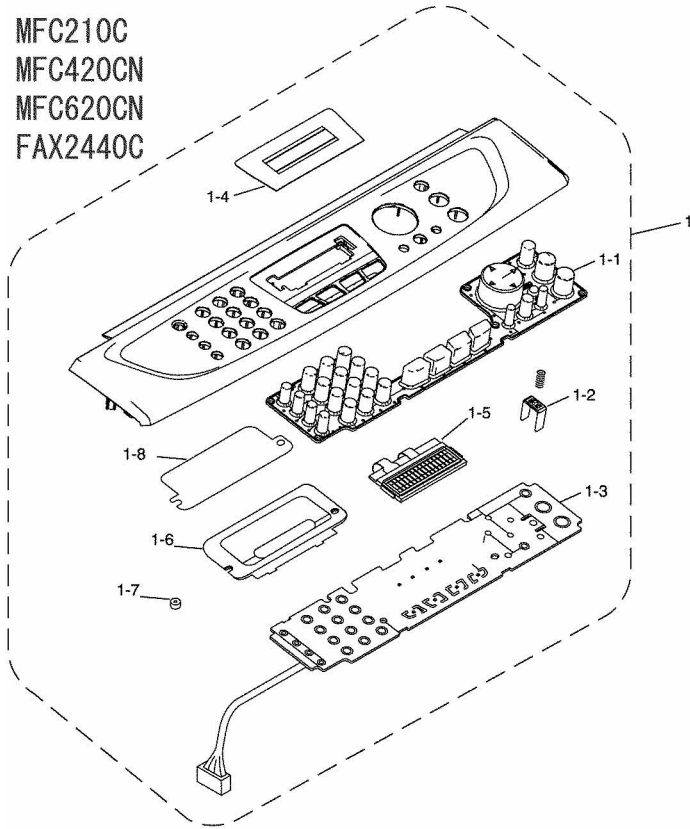
List7(COVER)

REF No.	CODE	QTY	DESCRIPTION	RECOMMEND	SYMBOL	REMARKS
1	LF4865001	1	LOWER COVER ASSY			
2	LF7443001	1	INK ABSORBER BOX ASSY	√		
3	LP3854001	1	HANDSET HOLDER ASSY, FAX2440C/MFC620CN			chg
4	LG5474001	1	HOOK PCB ASSY, FAX2440C/MFC620CN		B53K763	
5	LG6024001	1	SPEAKER UNIT, DCP110C/DCP120C/MFC210C/MFC420CN			
5	LG5886001	1	SPEAKER UNIT, FAX2440C/MFC620CN			
6	LF5566001	1	MEDIA MODULE COVER, DCP110C/DCP120C/MFC210C/MFC420CN/MFC620CN			
7	LF4878001	1	UPPER COVER ASSY, DCP110C/DCP120C/MFC210C			
7	LF5079001	1	UPPER COVER, FAX2440C			
7	LF5127001	1	UPPER COVER ASSY, MFC420CN			
7	LF5341001	1	UPPER COVER, MFC620CN			
8	LF4879001	1	HARNESS COVER			
9	LF4880001	1	SCANNER COVER STOPPER			
10	LF4987001	1	CIS FLAT CABLE COVER			
11	LP3588001	1	SCANNER COVER DAMPER			CHG
12	087320616	2	TAPTITE, CUP S M3X6			
13	085411216	4	TAPTITE, BIND B M4X12			
14	087310815	4	TAPTITE, CUP B M3X8			
15	LP0717001	1	INK REPLACE LABEL			chg
16	LF4883001	1	CONSUMPTION LABEL			
17	LF5789001	1	COVER OPEN/CLOSE LABEL			
18	LF5179001	1	USB STICKER			
19	0A5300805	1	SCREW, PAN (S/P WASHER) M3X8			
20	LF4993001	1	ACTUATOR H/S, FAX2440C/MFC620CN			
21	LF7105001	1	USB/LAN CONNECTION LABEL, MFC420CN/MFC620CN			
22	LF7262001	1	FFC GUIDE FILM			
23	LF7445001	1	TUBE GUIDE FILM			
24	LF5917001	1	MJ BLIND FILM, DCP110C/DCP120C			
25	----		NOT USED			
26	LP0582001	1	PAPER JAM INSTRUCTION LABEL			
27	----		NOT USED			
28	LP0825001	1	FB STOPPER DAMPING SHEET			add

8 PANEL

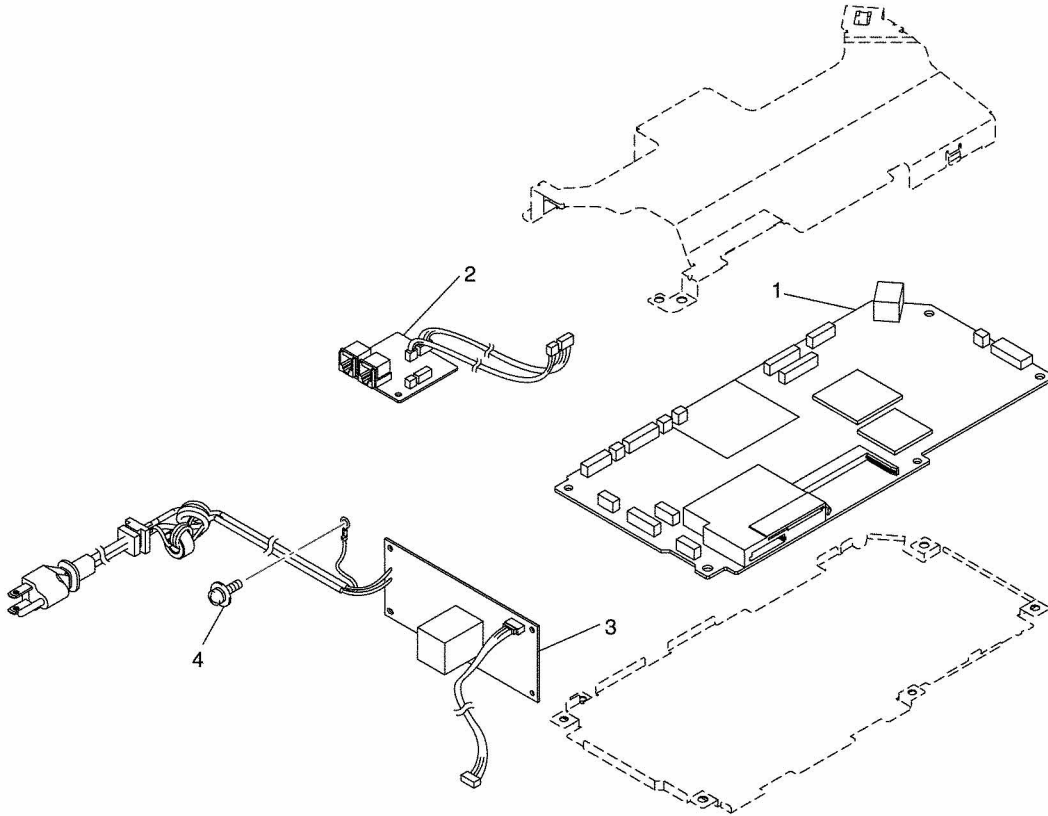
MFC210C
MFC420CN
MFC620CN
FAX2440C

DCP110C
DCP120C



List8(PANEL)

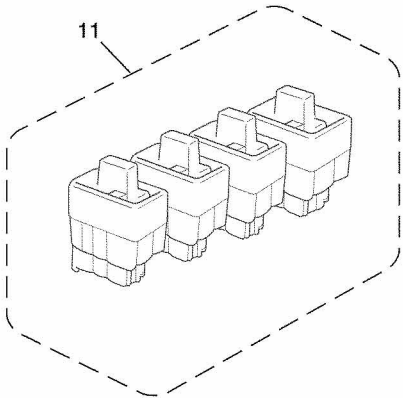
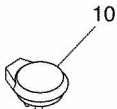
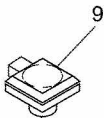
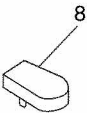
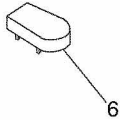
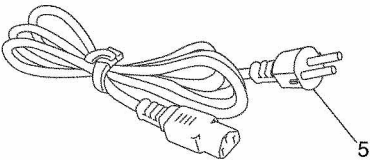
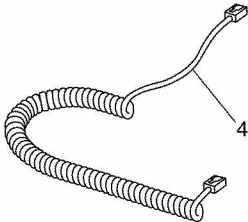
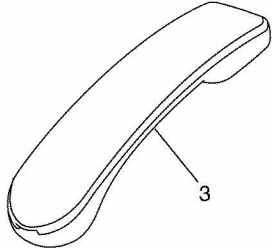
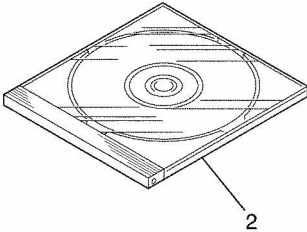
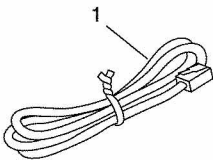
REF No.	CODE	QTY	DESCRIPTION	RECOMMEND	SYMBOL	REMARKS
1	LP0061001	1	CONTROL PANEL ASSY, DCP110C	√		
1	LP0212001	1	CONTROL PANEL ASSY, DCP120C	√		
1	LF5082001	1	CONTROL PANEL ASSY, FAX2440C	√		
1	LF4885001	1	CONTROL PANEL ASSY, MFC210C	√		
1	LF5099001	1	CONTROL PANEL ASSY, MFC420CN	√		
1	LF5108001	1	CONTROL PANEL ASSY, MFC620CN	√		
1-1	LF5133001	1	RUBBER KEYPAD, DCP110C			
1-1	LF5133002	1	RUBBER KEYPAD, DCP120C			
1-1	LF4888001	1	RUBBER KEYPAD, MFC210C			
1-1	LF5102001	1	RUBBER KEYPAD,			
1-1	LF5111001	1	RUBBER KEYPAD, MFC620CN			
1-1	LF5085001	1	RUBBER KEYPAD, FAX2440C			
1-2	LF4890001	1	SCANNER OPEN SENSOR ACTUATOR			
1-3	LG6226051	1	CONTROL PANEL PCB ASSY, DCP110C		B53K808	
1-3	LG6226071	1	CONTROL PANEL PCB ASSY, DCP120C		B53K808	
1-3	LG6195001	1	CONTROL PANEL PCB ASSY, MFC210C		B53K807	
1-3	LG6195002	1	CONTROL PANEL PCB ASSY, MFC420CN		B53K807	
1-3	LG5533051	1	CONTROL PANEL PCB ASSY, MFC620CN		B53K752	
1-3	LG5533052	1	CONTROL PANEL PCB ASSY, FAX2440C		B53K752	
1-4	LP0027001	1	LCD SHEET, DCP110C			
1-4	LP0213001	1	LCD SHEET, DCP120C			
1-4	LF4892001	1	LCD SHEET, MFC210C			
1-4	LF5104001	1	LCD SHEET, MFC420CN			
1-4	LF5115001	1	LCD SHEET, MFC620CN			
1-4	LF5090001	1	LCD SHEET, FAX2440C			
1-5	LG5355001	1	LCD, DCP110C/DCP120C/FAX2440C, MFC210C FOR US			
1-5	LG6131001	1	LCD, MFC420CN			
1-5	LG6132001	1	LCD, MFC620CN			
1-5	LG6403001	1	LCD, MFC210C FOR CAN			
1-6	LF5092001	1	LCD HOLDER, MFC620CN			
1-7	UF6916001	1	MIC COVER, FAX2440C/MFC620CN			
1-8	LF5093001	1	DIFFUSION FILM, MFC620CN			
1-9	LP0032001	1	PRINTED EX PANEL ASSY, DCP110C <ENGLISH>			
1-9	LP0032003	1	PRINTED EX PANEL ASSY, DCP120C <ENGLISH>			
2	087311216	3	TAPTITE, CUP B M3X12			



List9(PCB)

REF No.	CODE	QTY	DESCRIPTION	RECOMMEN	SYMBOL	REMARKS
1	LG6329013	1	MAIN PCB ASSY, DCP110C	√	B53K816	
1	LG6350041	1	MAIN PCB ASSY, DCP120C	√	B53K818	
1	LG6359021	1	MAIN PCB ASSY, FAX2440C	√	B53K819	
1	LG6328001	1	MAIN PCB ASSY, MFC210C	√	B53K816	
1	LG6349001	1	MAIN PCB ASSY, MFC420C	√	B53K818	
1	LG6358031	1	MAIN PCB ASSY, MFC620CN	√	B53K819	
2	LG5365054	4	MJ PCB ASSY, FAX2440C/MFC210C/MFC620CN		B53K759	DEL
2	LG7371004	4	MJ PCB ASSY, MFC420CN		B53K887	DEL
2	LG7371051	1	MJ PCB ASSY, FAX2440C/MFC210C/MFC420CN/MFC620CN		B53K887	ADD
3	LG6362001	1	POWER SUPPLY PCB UNIT	√		
4	UF6559001	1	SCREW, PAN (WASHER) M4X8DB			

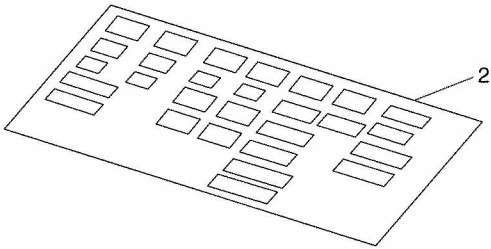
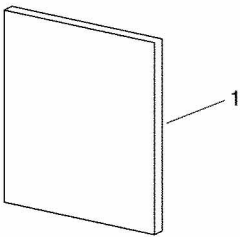
10 ACCESSORIES



List10(Accessories)

REF No.	CODE	QTY	DESCRIPTION	RECOMMEND	REMARKS
1	LG3077001	1	TELEPHONE LINE CORD, FAX2440C/MFC210C/MFC420CN/MFC620CN		
2	LP0028001	1	CD-ROM ASSY, DCP110C <Windows>		
2	LP0252001	1	CD-ROM ASSY, DCP120C <Windows>		
2	LF7534001	1	CD-ROM ASSY, MFC210C		
2	LF5395001	1	CD-ROM ASSY, MFC420CN		
2	LF5398001	1	CD-ROM ASSY, MFC620CN		
2	LP0320001	1	CD-ROM ASSY, DCP120C <Macintosh>		
3	LE5803016	1	HANDSET ASSY, FAX2440C		
3	LE5803015	1	HANDSET ASSY, MFC620CN		
4	UL8019010	1	HANDSET CURLED CORD ASSY, FAX2440C		
4	UL8019005	1	HANDSET CURLED CORD ASSY, MFC620CN		
5	----		NOT USED		
6	----		NOT USED		
7	----		NOT USED		
8	----		NOT USED		
9	----		NOT USED		
10	----		NOT USED		
11	LF7986001	1	PROTECTION CARTRIDGE SUPPLY ASSY		

11 PRINTED MATERIALS

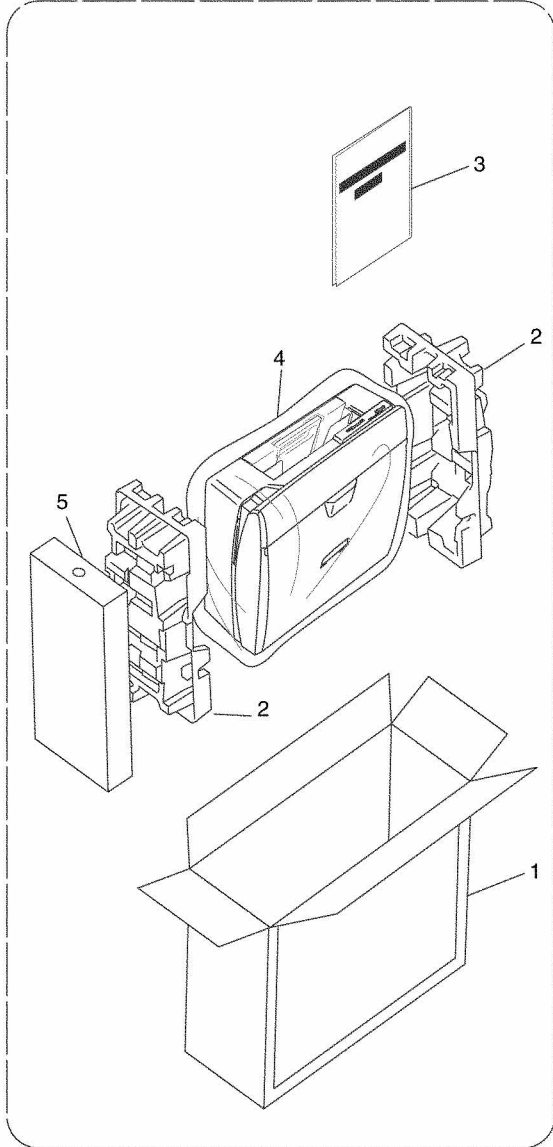


List11(PRINTED MATERIALS)

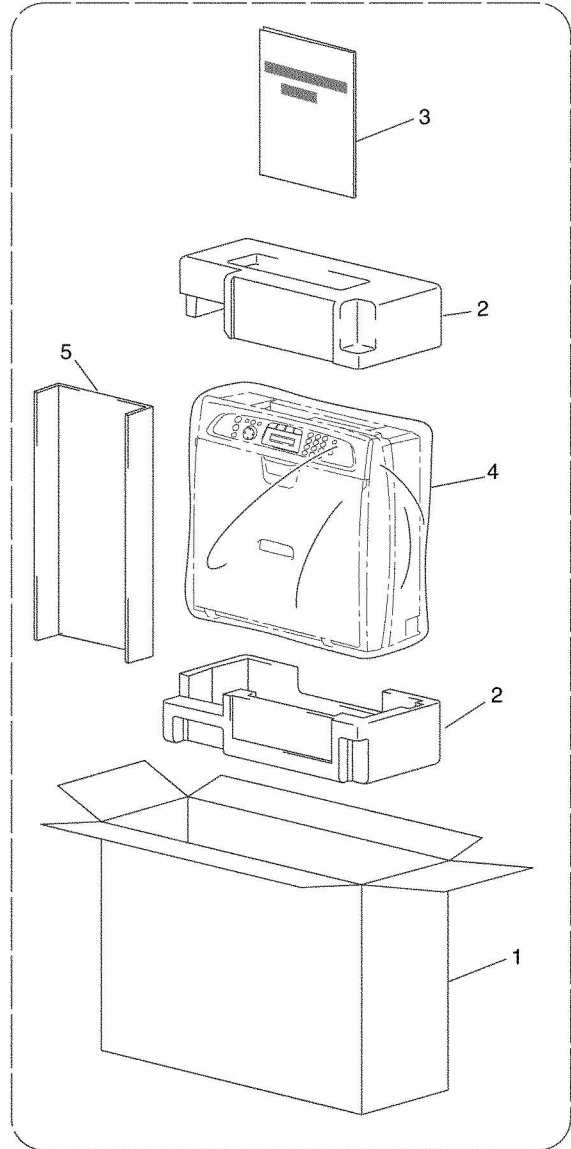
REF No.	CODE	Q.TY	DESCRIPTION	RECOMMEND	REMARKS
1	LP0030001	1	OWNER'S GUIDE, DCP110C <ENGLISH>		
1	LP0254001	1	OWNER'S GUIDE, DCP120C <ENGLISH>		
1	LF5803001	1	OWNER'S GUIDE, FAX2440C/MFC620CN <ENGLISH>		
1	LF5070001	1	OWNER'S GUIDE, MFC210C/MFC420CN <ENGLISH>		
1	LP0254002	1	OWNER'S GUIDE, DCP120C FOR CAN <FRENCH>		
1	LF5447001	1	OWNER'S GUIDE, MFC210C/MFC420CN FOR CAN <FRENCH>		
2	LP0065001	1	FRENCH STICKER, DCP120C FOR CAN		
2	LF5474001	1	FRENCH STICKER, MFC210C/MFC420CN FOR CAN		

12 PACKING MATERIALS

MFC215C/425CN FOR OTHER COUNTRY
FAX2440C, MFC620CN, DCP115C/120C/315CN



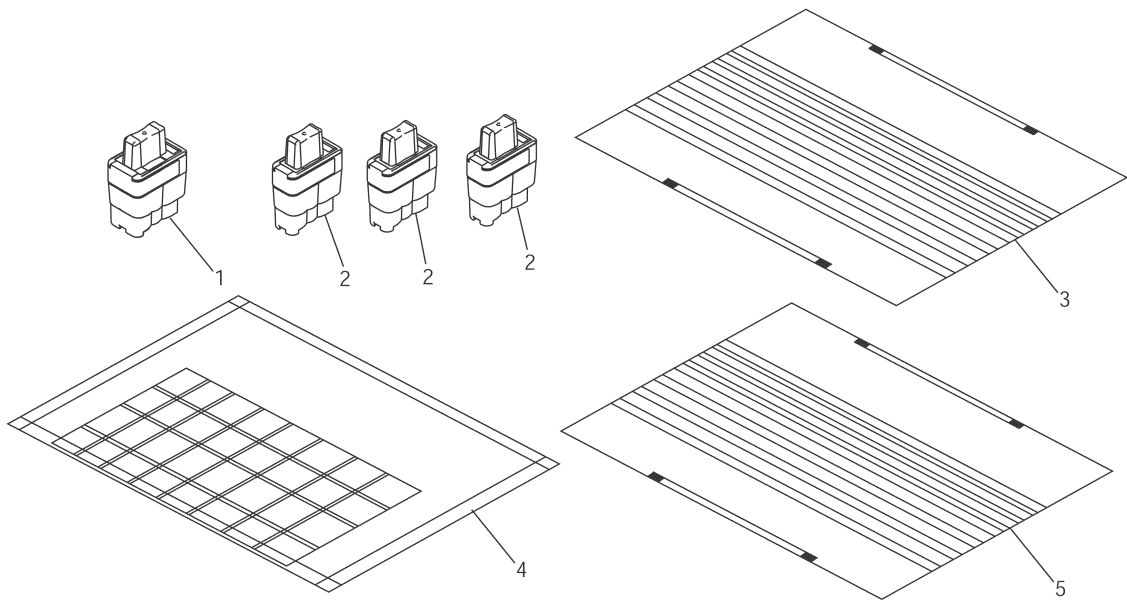
MFC210C/420CN FOR US



List12(PACKAGING)

REF No.	CODE	QTY	DESCRIPTION	RECOMMEND	REMARKS
1	LP0034001	1	CARTON, BROTHER, DCP110C	√	
1	LP0256001	1	CARTON, BROTHER, DCP120C	√	
1	LF7208001	1	CARTON, BROTHER, FAX2440C FOR US	√	
1	LP0397001	1	CARTON, BROTHER, MFC210C FOR US	√	
1	LP0400001	1	CARTON, BROTHER, MFC420CN FOR US	√	
1	LF5902001	1	CARTON, BROTHER, MFC620CN FOR US	√	
1	LP0265001	1	CARTON, BROTHER, DCP120C FOR CAN	√	
1	LF5761001	1	CARTON, BROTHER, MFC210C FOR CAN	√	
1	LF5476001	1	CARTON, BROTHER, MFC420CN FOR CAN	√	
2	LF5123001	1	PULP CUSHION ASSY, DCP120C, MFC420CN FOR CAN		
2	LF5095001	1	PULP CUSHION ASSY, FAX2440C/MFC620CN		
2	LP0512001	1	BODY POLYSTYRENE FOAM ASSY, MFC210C FOR US		
2	LP0507001	1	BODY POLYSTYRENE FOAM ASSY, MFC420CN FOR US		
2	LF5187001	1	PULP CUSHION ASSY, DCP110C, MFC210C FOR CAN		
3	LP0037001	1	QUICK SETUP GUIDE, DCP110C <ENGLISH>		
3	LP0259001	1	QUICK SETUP GUIDE, DCP120C <ENGLISH>		
3	LF7211001	1	QUICK SETUP GUIDE, FAX2440C		
3	LF5075001	1	QUICK SETUP GUIDE, MFC210C/MFC420CN/MFC620CN <ENGLISH>		
3	LP0259002	1	QUICK SETUP GUIDE, DCP120C FOR CAN <FRENCH>		
3	LF5448001	1	QUICK SETUP GUIDE, MFC210C/MFC420CN FOR CAN <FRENCH>		
4	LF0969001	1	PE BAG 620X800H P		
5	LF4900001	1	CARTON, ACCESSORIES, MFC210C/MFC420CN FOR US		
5	LF5126001	1	ACCESSORIES BOX, DCP120C/FAX2440C/MFC210C		

13. OTHERS



List13(OTHERS)

REF No.	CODE	QTY	DESCRIPTION	RECOMMEND	REMARKS
1	LK3763001	1	DUMMY CARTRIDGE, BLACK < For ink drainage >		CHG
2	LK3764001	3	DUMMY CARTRIDGE, COLOR < For ink drainage >		CHG
3	UF8263001	1	TEST CHART-027		
4	UF9258001	1	COLOR TEST CHART CTC-001		
5	UF4600001	1	CONTRAST CHART TC-023		

brother®

PL-FAX114
8CA804
Ver. L-1