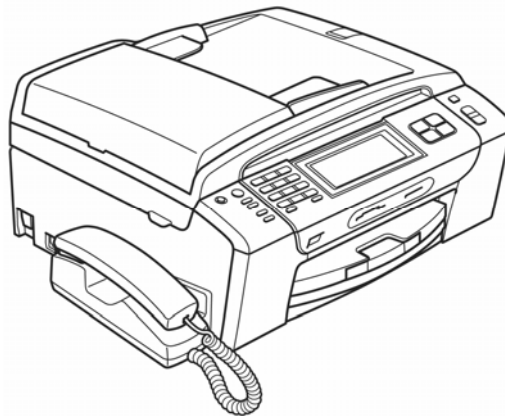




Inkjet DCP/MFC

PARTS REFERENCE LIST

MODEL:
DCP-195C / DCP-197C
DCP-365CN / DCP-373CW
DCP-375CW / DCP-377CW
DCP-395CN / MFC-253CW
MFC-255CW / MFC255CWE
MFC-257CW / MFC-295CN
MFC-495CW / MFC-795CW



Read this list thoroughly before maintenance work.

Keep this list in a convenient place for quick and easy reference at all times.

NOTE FOR USING THIS PARTS REFERENCE LIST

1. In the case of ordering parts, it is necessary to mention the following items;

- (1) Code
- (2) Q'ty
- (3) Description
- (4) Symbol (PCB No. etc)

Note: Orders without Parts Code or Tool No. can not be accepted.

< Example >

REF.NO.	(1) CODE	(2) Q'TY	(3) DESCRIPTION	(4) SYMBOL	REMARK

2. Design-changed parts :

If any of the parts is changed, one of the following symbols is indicated in the REMARK column.

CHG(chg) : The parts is changed to a new parts.

ADD(add) : The parts is newly added.

DEL(del) : The parts is deleted.

Symbol in capital letters indicates the latest parts change information in the page.

3. Parts change will be informed by the Parts change information.

4. Parts are subject to change in design without prior notice.

COUNTRIES

U.S.A. ----- US

CANADA ---- CAN

GERMANY ----- GER

UNITED KINGDOM ----- UK

FRANCE ---- FRA

BELGIUM ---- BEL

NETHERLANDS --- NLD

SWITZERLAND ---- CHE

AUSTRIA ---- AUS

SPAIN ---- SPA

PORTUGAL ---- POR

ITALY ---- ITA

ISRAEL ---- ISR

CHINA ---- CHN

TAIWAN ---- TWN

SOUTH AFRICA ---- ZAF

TURKEY ---- TUR

HONG KONG ---- HK

POLAND ---- POL

ASIA (SINGAPORE & GULF) ---- ASA

RUSSIA ---- RUS

OCEANIA

(AUSTRALIA & NEW ZEALAND) ---- OCE

PAN NORDIC

(NORWAY/FINLAND/DENMARK/SWEDEN)--- PND

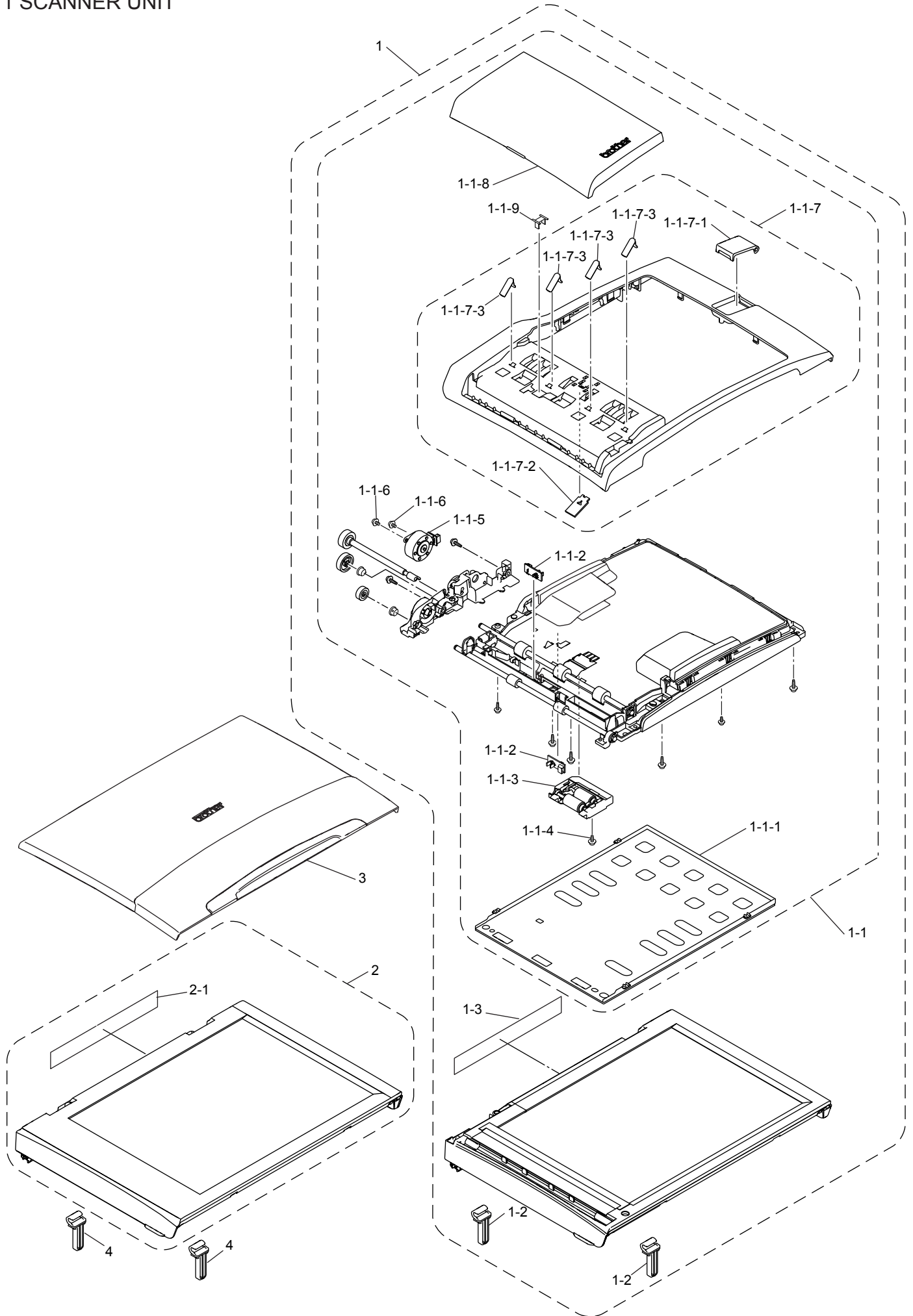
CEE GENERAL --- CEE

IBERIA (SPAIN & PORTUGAL) ---- IBR

CONTENTS

1.	<u>SCANNER UNIT</u>	1
2.	<u>CARTRIDGE CASE</u>	3
3.	<u>ENGINE</u>	5
4.	<u>HEAD</u>	7
5.	<u>PAPER TRAY</u>	9
6.	<u>COVER</u>	11
7.	<u>PANEL</u>	13
8.	<u>PCB</u>	17
9.	<u>ACCESSORIES</u>	19
10.	<u>PRINTED MATERIALS</u>	22
11.	<u>PACKAGING</u>	24
12.	<u>OTHERS</u>	28

1 SCANNER UNIT



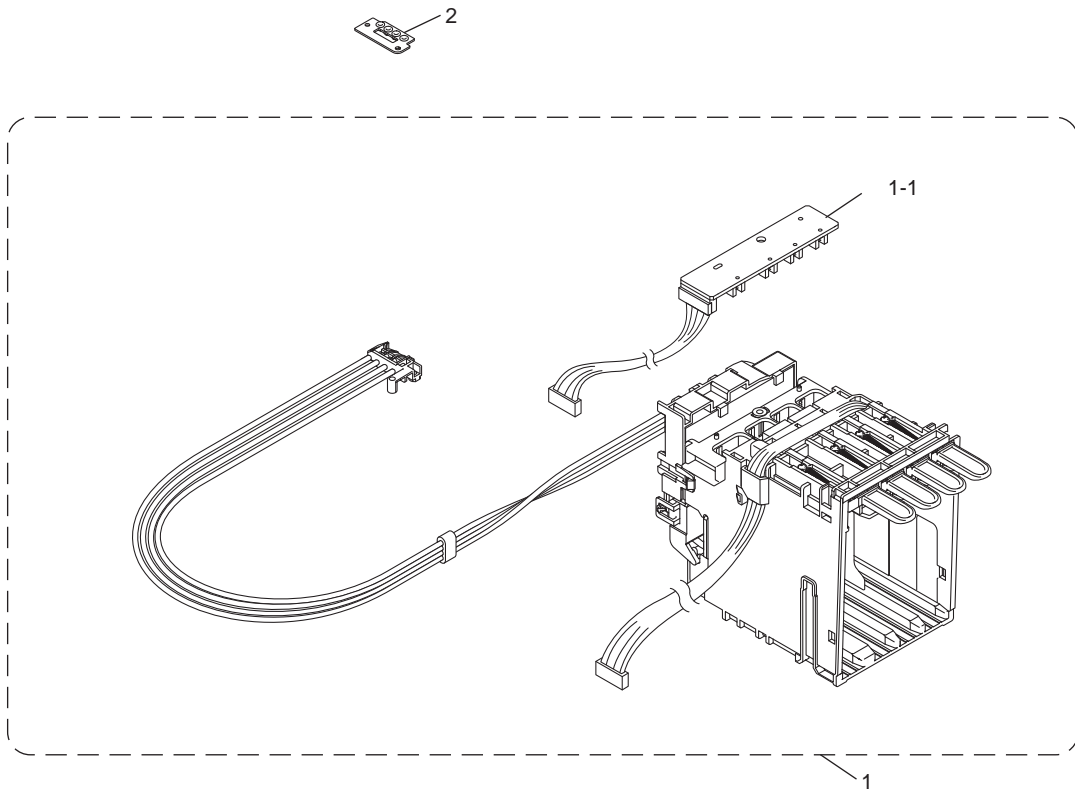
List1(SCANNER UNIT)

REF No.	CODE	QTY	DESCRIPTION	SYMBOL	REMARKS
1	LX1706001	1	ADF & SCANNER COVER ASSY (SP), MFC295CN		
1	LX1714003	1	ADF & SCANNER COVER ASSY (SP), MFC495CW		chg
1	LX1714005	1	ADF & SCANNER COVER ASSY (SP), MFC795CW		CHG
1-1	LX1707001	1	ADF & DOCUMENT COVER ASSY (SP), MFC295CN		
1-1	LS6546002	1	ADF & DOCUMENT COVER ASSY (SP), MFC495CW		
1-1	LS6546003	1	ADF & DOCUMENT COVER ASSY (SP), MFC795CW		
1-1-1	LS6891001	1	DOCUMENT SPONGE ASSY (SP), MFC295CN/MFC495CW/MFC795CW		
1-1-2	LG6753001	2	DOCUMENT SENSOR PCB ASSY, MFC295CN/MFC495CW/MFC795CW		
1-1-3	LS4406001	1	DOCUMENT ROLLER HOLDER ASSY, MFC295CN/MFC495CW/MFC795CW		
1-1-4	087310816	1	TAPTITE CUP B M3X8, MFC295CN/MFC495CW/MFC795CW		
1-1-5	LS4414001	1	ADF MOTOR, MFC295CN/MFC495CW/MFC795CW		
1-1-6	0A5300606	2	SCREW PAN (S/P WASHER) M3X6, MFC295CN/MFC495CW/MFC795CW		
1-1-7	LS4691002	1	ADF UNIT, MFC295CN		
1-1-7	LS4422002	1	ADF UNIT, MFC495CW		
1-1-7	LS4422003	1	ADF UNIT, MFC795CW		
1-1-7-1	LS4693010	1	DOCUMENT STOPPER, MFC295CN		
1-1-7-1	LS4424011	1	DOCUMENT STOPPER, MFC495CW		
1-1-7-1	LS4424007	1	DOCUMENT STOPPER, MFC795CW		
1-1-7-2	LS5437001	1	SEPARATION PAD AND FILM, MFC295CN/MFC495CW/MFC795CW		
1-1-7-3	LP1429001	4	EXIT FILM, MFC295CN/MFC495CW/MFC795CW		
1-1-8	LS4435001	1	ADF COVER, MFC295CN/MFC495CW/MFC795CW		
1-1-9	LS5961001	1	DOCUMENT COVER SUPPORT, MFC295CN/MFC495CW/MFC795CW		
1-2	LS4442010	2	HINGE, MFC295CN		
1-2	LS4442011	2	HINGE, MFC495CW		
1-2	LS4442007	2	HINGE, MFC795CW		
1-3	LS5965001	1	PAPER JAM INST. LABEL, MFC295CN/MFC495CW/MFC795CW		
2	LX1551002	1	SCANNER COVER ASSY (SP), DCP195C/DCP197C		CHG
2	LX1551005	1	SCANNER COVER ASSY (SP), DCP365CN		CHG
2	LS6532004	4	SCANNER COVER ASSY (SP), DCP373CW/DCP375CW/DCP377CW/DCP395CN/		DEL
2	LX1551001	1	SCANNER COVER ASSY (SP), DCP373CW/DCP375CW/DCP377CW/DCP395CN/ MFC253CW/MFC255CW/MFC255CWE/MFC257CW		
2-1	LS5965001	1	PAPER JAM INST. LABEL, DCP195C/DCP197C/DCP365CN/DCP373CW/DCP375CW/DCP377CW/DCP395CN/ MFC253CW/MFC255CW/MFC255CWE/MFC257CW		
3	LS6545006	1	DOCUMENT COVER ASSY (SP), DCP195C/DCP197C		
3	LS6545005	1	DOCUMENT COVER ASSY (SP), DCP365CN		
3	LS6856002	1	DOCUMENT COVER ASSY (SP), DCP373CW/DCP375CW/DCP377CW		add
3	LS6856001	1	DOCUMENT COVER ASSY (SP), DCP395CN		
3	LS6545004	1	DOCUMENT COVER ASSY (SP), MFC253CW/MFC255CW/MFC257CW		
3	LX1549001	1	DOCUMENT COVER ASSY (SP), DCP375CW /MFC255CWE		
4	LS4537008	2	HINGE, DCP195C/DCP197C		
4	LS4537011	2	HINGE, DCP365CN		
4	LS4537007	2	HINGE, DCP373CW/DCP375CW/DCP377CW/DCP395CN/ MFC253CW/MFC255CW/MFC255CWE/MFC257CW		

DCP195C/DCP197C/DCP365CN
DCP373CW/DCP375CW/DCP377CW/DCP395CN
MFC253CW/MFC255CW/MFC255CWE/MFC257CW
MFC295CN/MFC495CW/MFC795CW

8CAJ06/11/13/15/17/33
36/35/37/41/43/47

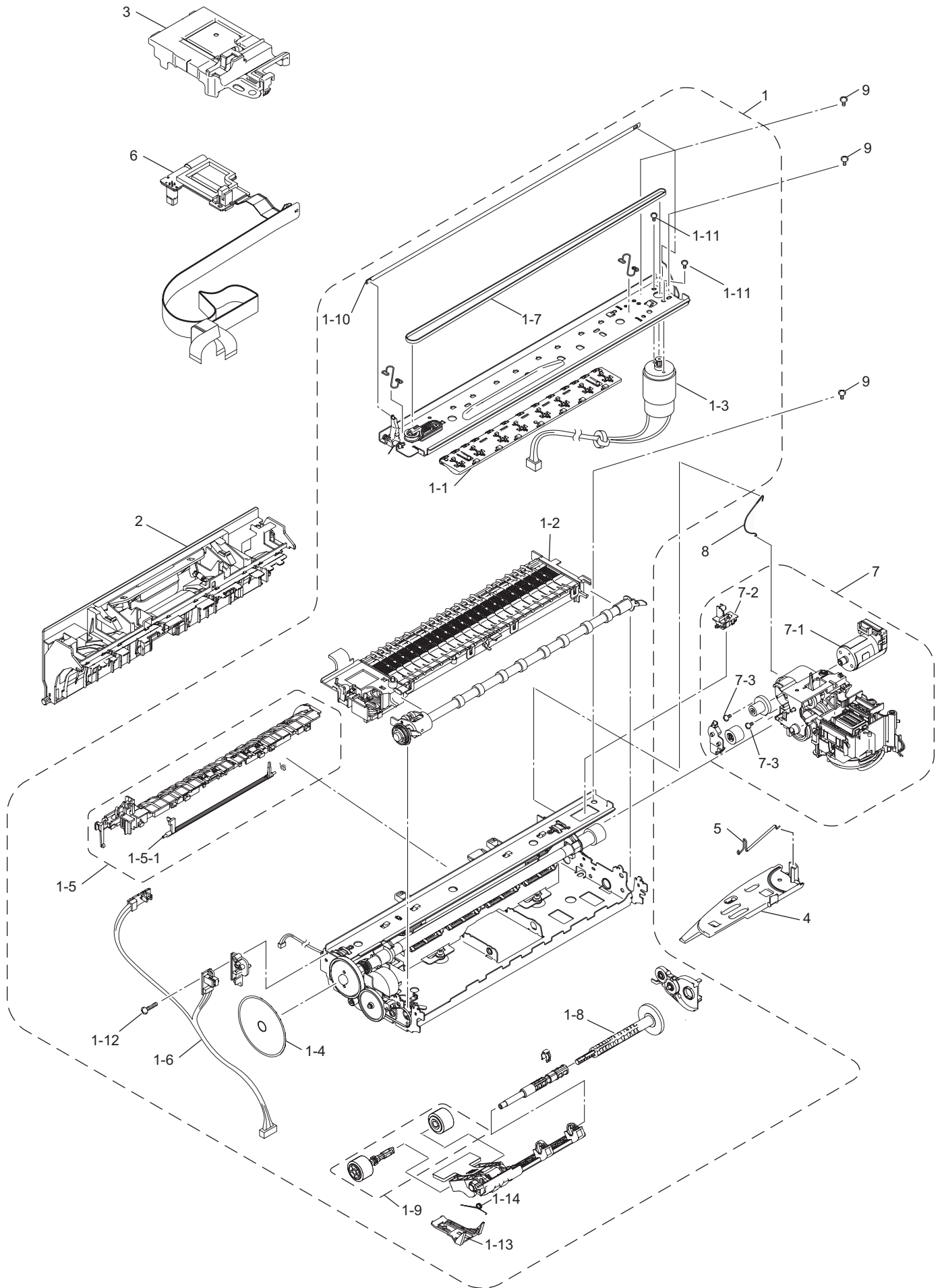
2 CARTRIDGE CASE



List2(CARTRIDGE CASE)

REF No.	CODE	Q'TY	DESCRIPTION	SYMBOL	REMARKS
1	LK3553001	1	INK REFILL ASSY (SP), DCP395CN/MFC255CWE/MFC495CW/MFC795CW FOR ALL COUNTRIES, DCP375CW/MFC295CN FOR US/CAN		
1	LK3554001	1	INK REFILL ASSY (SP), DCP195C/DCP197C/DCP365CN/DCP373CW/DCP377CW/ MFC253CW/MFC255CW/MFC257CW FOR ALL COUNTRIES, DCP375CW/MFC295CN EXCEPT FOR US/CAN		
1-1	LK3329001	1	INK CARTRIDGE DETECTION SENSOR PCB	B57C002	ADD
2	LK3555001	1	HEAD JOINT RUBBER (SP)		

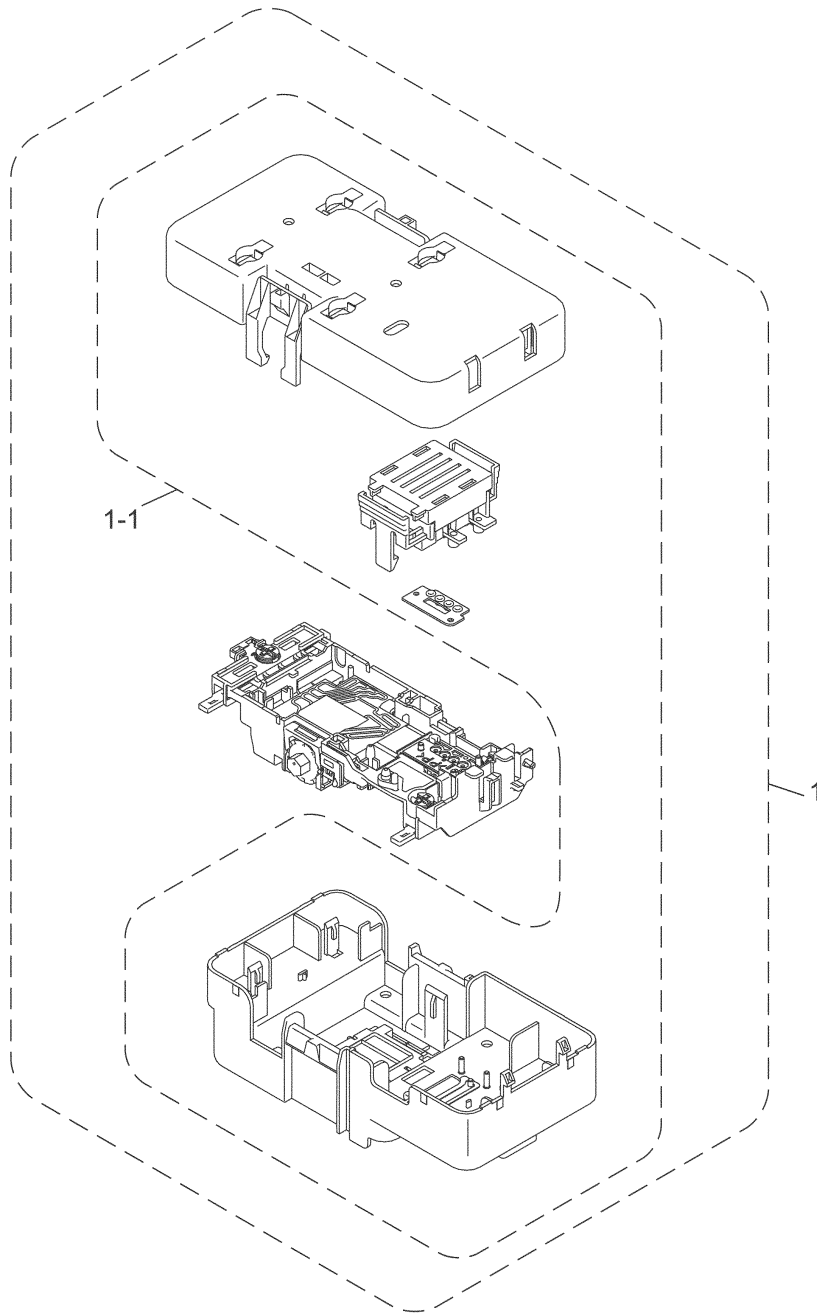
3 ENGINE



List3(ENGINE)

REF No.	CODE	Q'TY	DESCRIPTION	REMARKS
1	LS6537001	1	ENGINE UNIT (SP), DCP195C/DCP197C/DCP365CN/DCP373CW/DCP375CW/DCP377CW/ MFC253CW/MFC255CW/MFC255CWE/MFC257CW/MFC295CN	
1	LX1876001	1	ENGINE UNIT (SP), DCP395CN/MFC495CW/MFC795CW	
1-1	LS4301001	1	STAR WHEEL HOLDER	
1-2	LS4303001	1	PLATEN F ASSY, DCP195C/DCP197C/DCP365CN/DCP373CW/DCP375CW/DCP377CW/ MFC253CW/MFC255CW/MFC255CWE/MFC257CW/MFC295CN	
1-2	LS4304001	1	PLATEN M ASSY, DCP395CN/MFC495CW/MFC795CW	
1-3	LX3629001	1	CARRIAGE MOTOR	CHG
1-4	LP1471001	1	RF ENCODER DISK	
1-5	LS4249001	1	INNER CHUTE ASSY	
1-5-1	LS4251001	1	REGISTRATION SENSOR ACTUATOR	
1-6	LT0466001	1	SENSOR HARNESS UNIT	
1-7	LS4198001	1	TIMING BELT	
1-8	LS4260001	1	ASF GEAR SHAFT OUTER	
1-9	LX0126001	1	ASF ROLLER 9 UNIT ASSY	
1-10	LS4467001	1	ENCODER STRIP	
1-11	000300606	2	SCREW BIND M3X6	
1-12	000021206	1	SCREW BIND M2X12	
1-13	LS4120001	1	PE ACTUATOR 9 ASSY	add
1-14	LS4075001	1	PE ACTUATOR SPRING	add
2	LS4253002	1	JAM CLEAR COVER, DCP195C/DCP197C	
2	LS4253007	1	JAM CLEAR COVER, DCP365CN	
2	LS4253003	1	JAM CLEAR COVER, DCP373CW/DCP375CW/DCP377CW/DCP395CN/ MFC253CW/MFC255CW/MFC255CWE/MFC257CW/MFC295CN/MFC495CW/MFC795CW	
3	LS4383001	1	HEAD COVER	
4	LX0376001	1	TUBE SUPPORT PLATE	
5	LS4469001	1	TUBE SUPPORT WIRE	
6	LS6543001	1	CARRIAGE PCB ASSY (SP)	
7	LS6544001	1	MAINTENANCE UNIT (SP)	
7-1	LS4091001	1	ASF MOTOR	
7-2	LS4098001	1	SWITCHING LEVER GUIDE	
7-3	LS4375001	2	SCREW PAN (S/P WASHER) M3X5	
8	LS5775001	1	EARTH SPRING	
9	087311016	3	TAPTITE CUP B M3X10	

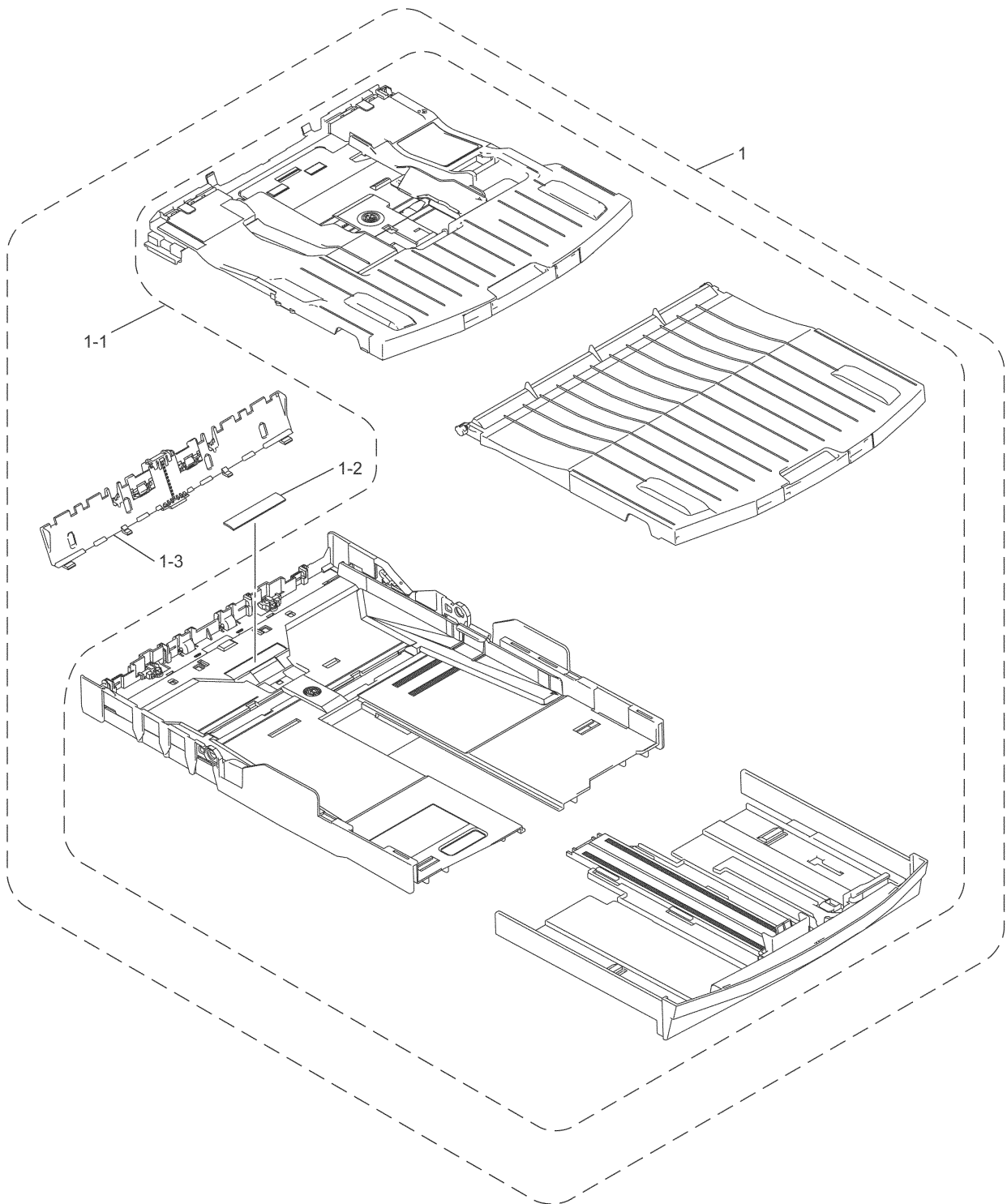
4 HEAD



List4(HEAD)

REF No.	CODE	Q'TY	DESCRIPTION	REMARKS
1	LK3211001	1	HEAD/CARRIAGE UNIT (SP) (without CARRIAGE PCB ASSY)	
1-1	LK3216001	1	HEAD CASING ASSY(SP)	

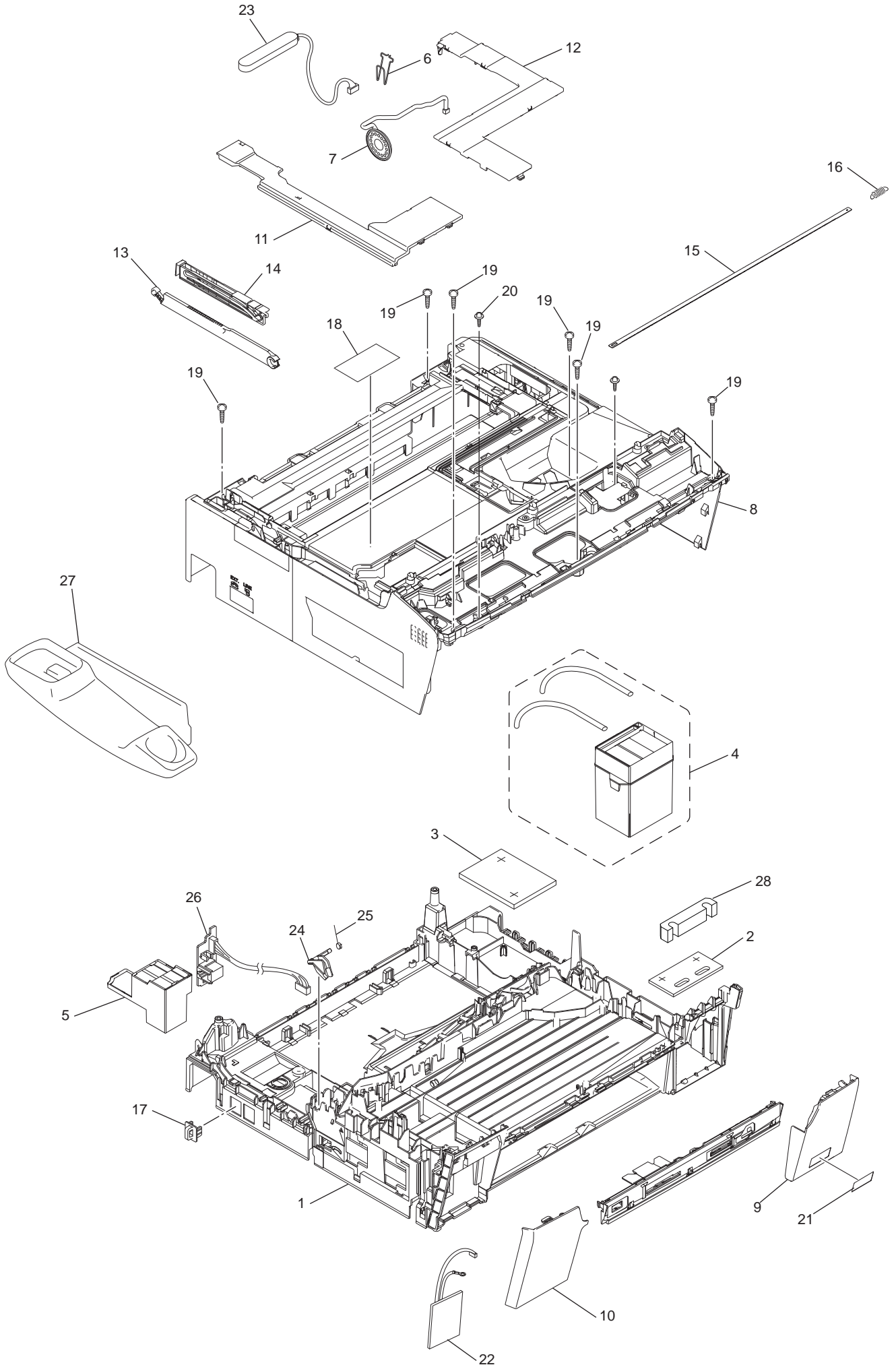
5 PAPER TRAY



List5(PAPER TRAY)

REF No.	CODE	Q'TY	DESCRIPTION	REMARKS
1	LS6841003	1	PAPER TRAY ASSY (SP), DCP195C/DCP197C	
1	LS6841005	1	PAPER TRAY ASSY (SP), DCP365CN	
1	LS6841004	1	PAPER TRAY ASSY (SP), DCP373CW/DCP375CW/DCP377CW/ MFC253CW/MFC255CW/MFC255CWE/MFC257CW/MFC295CN	
1	LS6840001	1	PAPER TRAY ASSY (SP), DCP395CN/MFC495CW/MFC795CW	
1-1	LS6839003	1	OUTPUT PAPER TRAY COVER (SP), DCP195C/DCP197C	
1-1	LS6839005	1	OUTPUT PAPER TRAY COVER (SP), DCP365CN	
1-1	LS6839004	1	OUTPUT PAPER TRAY COVER (SP), DCP373CW/DCP375CW/DCP377CW/ MFC253CW/MFC255CW/MFC255CWE/MFC257CW/MFC295CN	
1-1	LS6837001	1	OUTPUT PAPER TRAY COVER (SP), DCP395CN/MFC495CW/MFC795CW	
1-2	LP1575001	1	BASE PAD	
1-3	LS4269001	1	BANK ASSY	

6 COVER



List6(COVER)

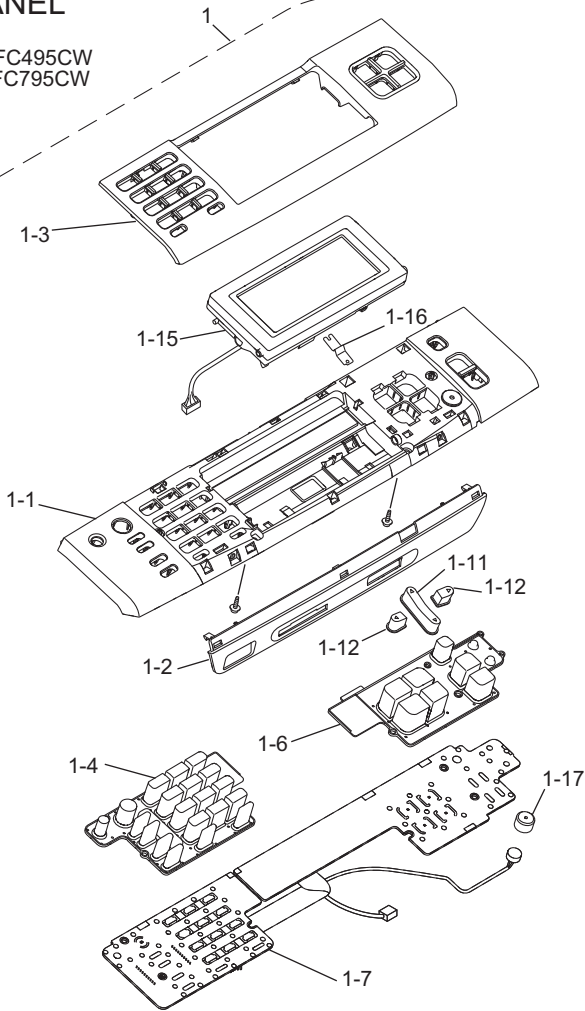
REF No.	CODE	QTY	DESCRIPTION	SYMBOL	REMARKS
1	LS5134001	1	LOWER COVER		
2	LS4699001	1	INK ABSORBER FELT (INK ABSORBER BOX)		
3	LS5136001	1	INK ABSORBER FELT (MAINTENANCE UNIT)		
4	LS6842001	1	INK ABSORBER TUBE ASSY (SP)		
5	LS5141001	1	FLUSHING BOX		
6	LS5334001	1	SPEAKER SPRING, MFC253CW/MFC255CW/MFC255CWE/MFC257CW/MFC295CN/ MFC495CW/MFC795CW		
7	LT0520001	1	SPEAKER, MFC255CW/MFC255CWE/MFC295CN/MFC495CW		
7	LT0572001	1	SPEAKER, MFC795CW		
8	LS6843009	1	UPPER COVER (SP), DCP195C/DCP197C		
8	LX1550002	1	UPPER COVER (SP), DCP365CN		
8	LX1550001	1	UPPER COVER (SP), DCP373CW/DCP375CW/DCP377CW		
8	LS6853001	1	UPPER COVER (SP), DCP395CN		
8	LS6844002	1	UPPER COVER (SP), MFC253CW/MFC255CW/MFC255CWE/MFC257CW		
8	LX1708001	1	UPPER COVER (SP), MFC295CN		
8	LS6845001	1	UPPER COVER (SP), MFC495CW		
8	LS6846001	1	UPPER COVER (SP), MFC795CW		
9	LS5151008	1	INK CARTRIDGE COVER, DCP195C/DCP197C/DCP365CN		
9	LS5151007	1	INK CARTRIDGE COVER, DCP373CW/DCP375CW/DCP377CW/MFC255CWE		
9	LS5151010	1	INK CARTRIDGE COVER, DCP395CN/MFC253CW/MFC255CW/MFC257CW/MFC295CN		
9	LS5675011	1	INK CARTRIDGE COVER, MFC495CW		
9	LS5675007	1	INK CARTRIDGE COVER, MFC795CW		
10	LS5152008	1	FRONT COVER, DCP195C/DCP197C/DCP365CN		
10	LS5152007	1	FRONT COVER, DCP373CW/DCP375CW/DCP377CW/MFC255CWE		
10	LS5152010	1	FRONT COVER, DCP395CN/MFC253CW/MFC255CW/MFC257CW/MFC295CN		
10	LS5676011	1	FRONT COVER, MFC495CW		
10	LS5676007	1	FRONT COVER, MFC795CW		
11	LS5154009	1	HARNESS COVER, DCP195C/DCP197C		
11	LS5154011	1	HARNESS COVER, DCP365CN		
11	LS5154007	1	HARNESS COVER, DCP373CW/DCP375CW/DCP377CW/DCP395CN/ MFC253CW/MFC255CW/MFC255CWE/MFC257CW/MFC295CN/ MFC495CW/MFC795CW		
12	LS5155009	1	CIS FLAT CABLE COVER, DCP195C/DCP197C		
12	LS5155011	1	CIS FLAT CABLE COVER, DCP365CN		
12	LS5155007	1	CIS FLAT CABLE COVER, DCP373CW/DCP375CW/DCP377CW/DCP395CN/ MFC253CW/MFC255CW/MFC255CWE/MFC257CW/MFC295CN/ MFC495CW/MFC795CW		
13	LS5156002	1	SCANNER COVER SUPPORT		
14	LS5159001	1	SCANNER COVER DAMPER		
15	LS6316001	1	ENCODER GUARD FILM		
16	LS6317001	1	ENCODER GUARD SPRING		
17	LE8842001	1	EXT CAP, MFC255CW/MFC255CWE/MFC257CW/MFC295CN/MFC495CW/MFC795CW		
17	UF5745000	1	FOR US/CAN/NLD/CHE/SPA/ISR/POR/CHN/TWN/ZAF/TUR/HK/ASA/POL/OCE/CEE MJ COVER EXT, MFC253CW/MFC255CW/MFC257CW/MFC295CN/MFC795CW FOR GER/UK/FRA/BEL/AUS/ITA		
18	LS5964001	1	ENCODER CAUTION LABEL		
19	085411216	6	TAPTITE BIND B M4X12		
20	087311016	1	TAPTITE CUP B M3X10		
21	LS5371001	1	INNOBELLA LABEL FOR US		
21	LS5370001	1	INNOBELLA LABEL EXCEPT FOR US		
22	LT1085001	1	WLAN PCB, DCP373CW/DCP375CW/DCP377CW/ MFC253CW/MFC255CW/MFC255CWE/MFC257CW/MFC495CW/MFC795CW		chg
23	LT0319001	1	BACKUP BATTERY, MFC795CW EXCEPT FOR OCE		
23	LT0319002	1	BACKUP BATTERY, MFC795CW FOR OCE		
24	LS5543001	1	HOOK ACTUATOR, MFC795CW		
25	LS5544001	1	HOOK ACTUATOR SPRING, MFC795CW		
26	LG5474003	1	HOOK PCB, MFC795CW		
27	LS5545001	1	HANDSET HOLDER ASSY, MFC795CW		
28	LX6286001	1	INK ABSORBER FELT(INK ABSORBER BOX UPPER)		ADD

DCP195C/DCP197C/DCP365CN
DCP373CW/DCP375CW/DCP377CW/DCP395CN
MFC253CW/MFC255CW/MFC255CWE/MFC257CW
MFC295CN/MFC495CW/MFC795CW

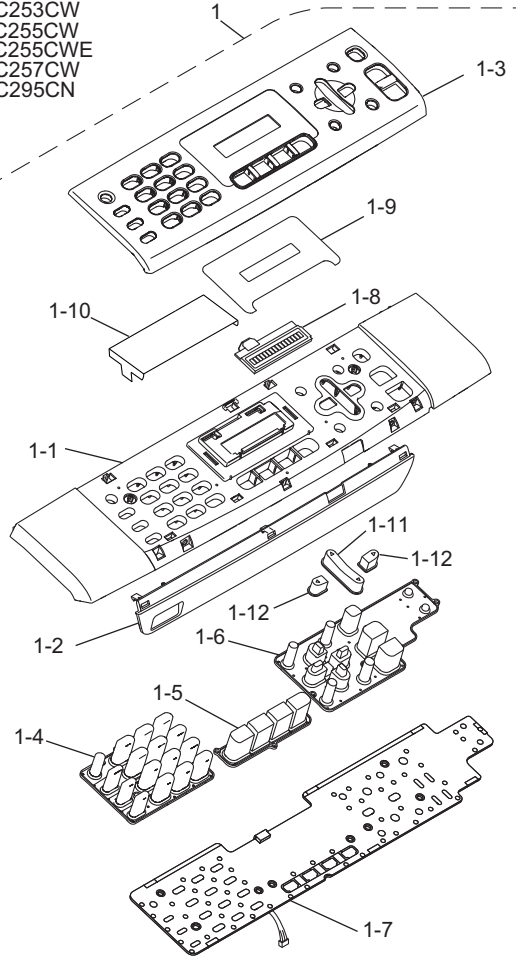
8CAJ06/11/13/15/17/33
36/35/37/41/43/47

7 PANEL

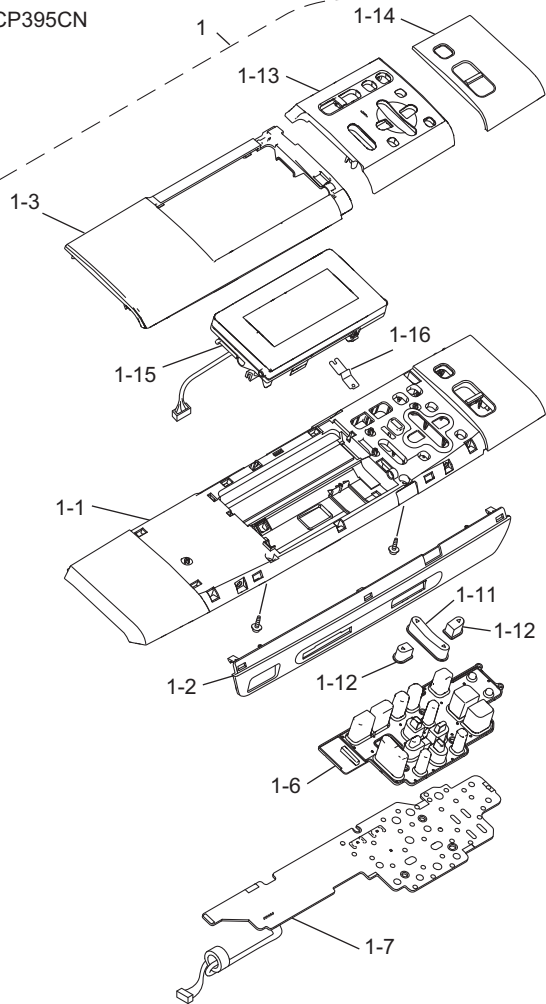
MFC495CW
MFC795CW



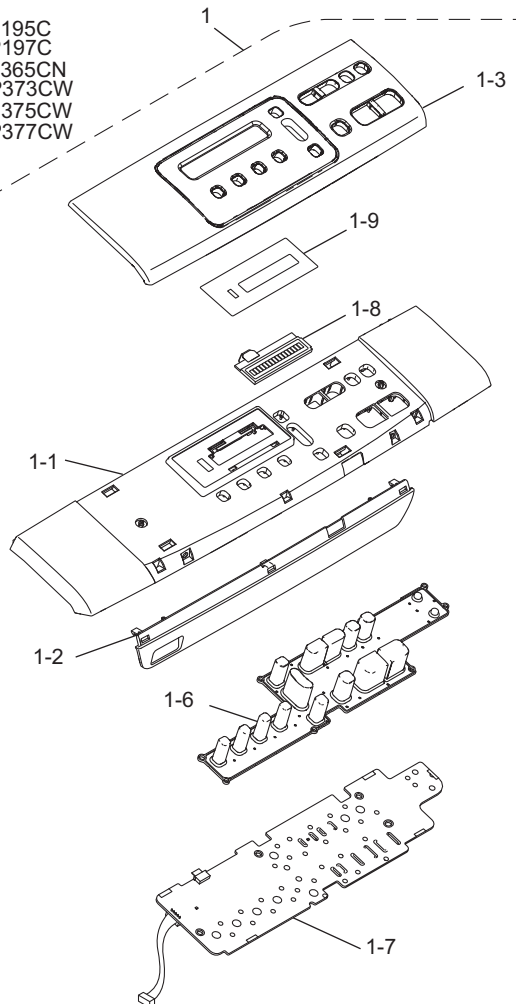
MFC253CW
MFC255CW
MFC255CW
MFC257CW
MFC295CN



DCP395CN



DCP195C
DCP197C
DCP365CN
DCP373CW
DCP375CW
DCP377CW



List7(PANEL)

REF No.	CODE	Q'TY	DESCRIPTION	SYMBOL	REMARKS
1	LX0594001	1	CONTROL PANEL ASSY, DCP375CW FOR US		
1	LX0909001	1	CONTROL PANEL ASSY, DCP395CN FOR US		
1	LX0382001	1	CONTROL PANEL ASSY, MFC255CWE FOR US/CAN		
1	LX0500001	1	CONTROL PANEL ASSY, MFC295CN FOR US/CAN		
1	LX0864001	1	CONTROL PANEL ASSY, MFC495CW FOR US/CAN		
1	LX0270001	1	CONTROL PANEL ASSY, MFC795CW FOR US/CAN		
1	LX1482001	1	CONTROL PANEL ASSY, DCP195C FOR GER		
1	LX1756001	1	CONTROL PANEL ASSY, DCP365CN FOR GER		
1	LX1305001	1	CONTROL PANEL ASSY, DCP375CW FOR GER		
1	LX3020001	1	CONTROL PANEL ASSY, DCP395CN FOR GER		
1	LX1492001	1	CONTROL PANEL ASSY, MFC255CW FOR GER		
1	LX1562001	1	CONTROL PANEL ASSY, MFC295CN FOR GER/AUS		
1	LX1748001	1	CONTROL PANEL ASSY, MFC795CW FOR GER		
1	LX0878001	1	CONTROL PANEL ASSY, DCP195C FOR UK/ZAF/ASA/OCE/PND		
1	LX3207001	1	CONTROL PANEL ASSY, DCP197CN FOR UK		
1	LX0873001	1	CONTROL PANEL ASSY, DCP365CN FOR UK		
1	LX0600001	1	CONTROL PANEL ASSY, DCP375CW FOR UK/ASA/OCE/PND		
1	LX1839001	1	CONTROL PANEL ASSY, DCP373CW FOR UK		
1	LX1848001	1	CONTROL PANEL ASSY, DCP377CW FOR UK		
1	LX1080001	1	CONTROL PANEL ASSY, DCP395CN FOR UK/OCE		
1	LX3007001	1	CONTROL PANEL ASSY, MFC253CW FOR UK		
1	LX0386001	1	CONTROL PANEL ASSY, MFC255CW FOR UK/BEL/CHE/ISR/ZAF		
1	LX3010001	1	CONTROL PANEL ASSY, MFC257CW FOR UK		
1	LX0501001	1	CONTROL PANEL ASSY, MFC295CN FOR UK/BEL/CHE/ISR/CEE		
1	LX1075001	1	CONTROL PANEL ASSY, MFC795CW FOR UK/ZAF		
1	LX1529001	1	CONTROL PANEL ASSY, DCP195C FOR FRA/CHE/IBR/CEE		
1	LX1786001	1	CONTROL PANEL ASSY, DCP365CN FOR FRA/CHE/IBR/CEE		
1	LX1307001	1	CONTROL PANEL ASSY, DCP375CW FOR FRA/IBR/CHE/CEE		
1	LX3022001	1	CONTROL PANEL ASSY, DCP395CN FOR FRA/CHE/IBR/CEE		
1	LX1528001	1	CONTROL PANEL ASSY, MFC255CW FOR FRA		
1	LX1606001	1	CONTROL PANEL ASSY, MFC295CN FOR FRA		
1	LX1782001	1	CONTROL PANEL ASSY, MFC795CW FOR FRA		
1	LX1911001	1	CONTROL PANEL ASSY, MFC255CW FOR NLD		
1	LX3146001	1	CONTROL PANEL ASSY, MFC295CN FOR NLD		
1	LX1527001	1	CONTROL PANEL ASSY, MFC255CW FOR SPA		
1	LX1608001	1	CONTROL PANEL ASSY, MFC295CN FOR SPA		
1	LX1778001	1	CONTROL PANEL ASSY, MFC795CW FOR SPA		
1	LX1547001	1	CONTROL PANEL ASSY, DCP195C FOR ITA		
1	LX3211001	1	CONTROL PANEL ASSY, DCP197C FOR ITA		
1	LX1787001	1	CONTROL PANEL ASSY, DCP365CN FOR ITA		
1	LX1308001	1	CONTROL PANEL ASSY, DCP375CW FOR ITA		
1	LX3023001	1	CONTROL PANEL ASSY, DCP395CN FOR ITA		
1	LX1526001	1	CONTROL PANEL ASSY, MFC255CW FOR ITA		
1	LX3013001	1	CONTROL PANEL ASSY, MFC257CW FOR ITA		
1	LX1607001	1	CONTROL PANEL ASSY, MFC295CN FOR ITA		
1	LX1774001	1	CONTROL PANEL ASSY, MFC795CW FOR ITA		
1	LX1912001	1	CONTROL PANEL ASSY, MFC255CW FOR POR		
1	LX3144001	1	CONTROL PANEL ASSY, MFC295CN FOR POR		
1	LX3102001	1	CONTROL PANEL ASSY, MFC795CW FOR POR		
1	LX3693001	1	CONTROL PANEL ASSY, MFC795CW FOR CHN		
1	LX3541001	1	CONTROL PANEL ASSY, DCP195C FOR TUR		
1	LX1465001	1	CONTROL PANEL ASSY, DCP375CW FOR TUR		
1	LX1686001	1	CONTROL PANEL ASSY, MFC255CW FOR TUR		
1	LX3093001	1	CONTROL PANEL ASSY, MFC795CW FOR TUR		
1	LX3631001	1	CONTROL PANEL ASSY, DCP195C FOR TWN/HK		
1	LX1467001	1	CONTROL PANEL ASSY, DCP375CW FOR TWN/HK		
1	LX3581001	1	CONTROL PANEL ASSY, MFC255CW FOR TWN/HK		
1	LX3657001	1	CONTROL PANEL ASSY, MFC795CW FOR TWN		
1	LX3586001	1	CONTROL PANEL ASSY, MFC295CN FOR HK		
1	LX3591001	1	CONTROL PANEL ASSY, MFC295CN FOR POL		
1	LX3138001	1	CONTROL PANEL ASSY, MFC795CW FOR POL		
1	LX1674001	1	CONTROL PANEL ASSY, MFC255CW FOR ASA/OCE		
1	LX1808001	1	CONTROL PANEL ASSY, MFC295CN FOR ASA/OCE		
1	LX1919001	1	CONTROL PANEL ASSY, MFC795CW FOR ASA/OCE		
1	LX3543001	1	CONTROL PANEL ASSY, DCP195C FOR RUS		
1	LX1463001	1	CONTROL PANEL ASSY, DCP375CW FOR RUS		
1	LX3120001	1	CONTROL PANEL ASSY, MFC257CW FOR OCE		
1	LX3145001	1	CONTROL PANEL ASSY, MFC295CN FOR PND		
1-1	LS5164008	1	CONTROL PANEL BASE, DCP195C/DCP197C/DCP365CN EXCEPT FOR TWN/HK		
1-1	LS5164007	1	CONTROL PANEL BASE, DCP373CW/DCP375CW/DCP377CW EXCEPT FOR TWN/HK		
1-1	LX0910001	1	CONTROL PANEL BASE, DCP395CN FOR US		
1-1	LX1081010	1	CONTROL PANEL BASE, DCP395CN EXCEPT FOR US		
1-1	LS5343007	1	CONTROL PANEL BASE, MFC255CWE		
1-1	LS5343010	1	CONTROL PANEL BASE, MFC253CW/MFC255CW/MFC257CW/MFC295CN EXCEPT FOR TWN/HK		
1-1	LS5513002	1	CONTROL PANEL BASE, MFC495CW		
1-1	LX0271001	1	CONTROL PANEL BASE, MFC795CW FOR US/CAN		
1-1	LX1747001	1	CONTROL PANEL BASE, MFC795CW FOR GER		

DCP195C/DCP197C/DCP365CN

DCP373CW/DCP375CW/DCP377CW/DCP395CN

MFC253CW/MFC255CW/MFC255CWE/MFC257CW

MFC295CN/MFC495CW/MFC795CW

8CAJ06/11/13/15/17/33

36/35/37/41/43/47

REF No.	CODE	Q'TY	DESCRIPTION	SYMBOL	REMARKS
1-1	LX1076001	1	CONTROL PANEL BASE, MFC795CW FOR UK/ZAF		
1-1	LX1781001	1	CONTROL PANEL BASE, MFC795CW FOR FRA		
1-1	LX1777001	1	CONTROL PANEL BASE, MFC795CW FOR SPA		
1-1	LX1773001	1	CONTROL PANEL BASE, MFC795CW FOR ITA		
1-1	LX3101001	1	CONTROL PANEL BASE, MFC795CW FOR POR		
1-1	LX3694001	1	CONTROL PANEL BASE, MFC795CW FOR CHN		
1-1	LX3094001	1	CONTROL PANEL BASE, MFC795CW FOR TUR		
1-1	LS5608008	1	CONTROL PANEL BASE, DCP195C FOR TWN/HK		
1-1	LS5608007	1	CONTROL PANEL BASE, DCP375CW FOR TWN/HK		
1-1	LS5609010	1	CONTROL PANEL BASE, MFC255CW/MFC295CN FOR TWN/HK		
1-1	LX3656001	1	CONTROL PANEL BASE, MFC795CW FOR TWN		
1-1	LX3139001	1	CONTROL PANEL BASE, MFC795CW FOR POL		
1-1	LX1920001	1	CONTROL PANEL BASE, MFC795CW FOR ASA/OCE		
1-2	LS5174009	1	MEDIA MODULE COVER, DCP195C/DCP197C		
1-2	LS5174011	1	MEDIA MODULE COVER, DCP365CN		
1-2	LX0596001	1	MEDIA MODULE COVER, DCP373CW/DCP375CW/DCP377CW/MFC255CWE		
1-2	LS5397007	1	MEDIA MODULE COVER, DCP395CN/MFC495CW		
1-2	LX0383001	1	MEDIA MODULE COVER, MFC253CW/MFC255CW/MFC257CW		
1-2	LX0539001	1	MEDIA MODULE COVER, MFC295CN		
1-2	LX0705001	1	MEDIA MODULE COVER, MFC795CW FOR CHN		
1-2	LS5607007	1	MEDIA MODULE COVER, MFC795CW EXCEPT FOR CHN		
1-3	LX0598001	1	PRINTED PANEL PLATE, DCP375CW FOR US		
1-3	LX0589001	1	PRINTED PANEL PLATE, MFC255CWE/MFC295CN FOR US/CAN		
1-3	LS5516001	1	PRINTED PANEL PLATE, MFC495CW FOR US/CAN		
1-3	LX0286001	1	PRINTED PANEL PLATE, MFC795CW FOR US/CAN/UK/ZAF/ASA/OCE		
1-3	LX1932001	1	PRINTED PANEL PLATE, DCP195C FOR GER/CHE (GERMAN)		
1-3	LX1963001	1	PRINTED PANEL PLATE, DCP365CN FOR GER/CHE (GERMAN)		
1-3	LX1423001	1	PRINTED PANEL PLATE, DCP375CW FOR GER/CHE (GERMAN)		
1-3	LX0928002	1	PRINTED PANEL PLATE, MFC255CW FOR GER		
1-3	LX1563001	1	PRINTED PANEL PLATE, MFC295CN FOR GER/AUS		
1-3	LX1746001	1	PRINTED PANEL PLATE, MFC795CW FOR GER		
1-3	LX1934001	1	PRINTED PANEL PLATE, DCP195C FOR UK/ZAF/ASA/OCE/PND/CEE(ENGLISH)		
1-3	LX3208001	1	PRINTED PANEL PLATE, DCP197C FOR UK		
1-3	LX1965001	1	PRINTED PANEL PLATE, DCP365CN FOR UK/CEE		
1-3	LX1841001	1	PRINTED PANEL PLATE, DCP373CW FOR UK		
1-3	LX1425001	1	PRINTED PANEL PLATE, DCP375CW FOR UK/ASA/OCE/PND/CEE (ENGLISH)		CHG
1-3	LX1849001	1	PRINTED PANEL PLATE, DCP377CW FOR UK		
1-3	LX0930002	1	PRINTED PANEL PLATE, MFC253CW/MFC255CW/MFC257CW FOR UK/BEL/CHE/ISR/ZAF		
1-3	LX0592001	1	PRINTED PANEL PLATE, MFC295CN FOR UK/BEL/CHE/ISR/CEE		
1-3	LX1535001	1	PRINTED PANEL PLATE, DCP195C FOR FRA/CHE (FRENCH)		
1-3	LX1788001	1	PRINTED PANEL PLATE, DCP365CN FOR FRA/CHE (FRENCH)		
1-3	LX1311001	1	PRINTED PANEL PLATE, DCP375CW FOR FRA/CHE (FRENCH)		
1-3	LX0932002	1	PRINTED PANEL PLATE, MFC255CW FOR FRA (FRENCH)		
1-3	LX1609001	1	PRINTED PANEL PLATE, MFC295CN FOR FRA (FRENCH)		
1-3	LX1780001	1	PRINTED PANEL PLATE, MFC795CW FOR FRA (FRENCH)		
1-3	LX1538001	1	PRINTED PANEL PLATE, DCP195C FOR FRA (DUTCH)		
1-3	LX1790001	1	PRINTED PANEL PLATE, DCP365CN FOR FRA (DUTCH)		
1-3	LX1317001	1	PRINTED PANEL PLATE, DCP375CW FOR FRA (DUTCH)		
1-3	LX0934002	1	PRINTED PANEL PLATE, MFC255CW FOR NLD		
1-3	LX3149001	1	PRINTED PANEL PLATE, MFC295CN FOR NLD		
1-3	LX0936002	1	PRINTED PANEL PLATE, MFC255CW FOR SPA		
1-3	LX1611001	1	PRINTED PANEL PLATE, MFC295CN FOR SPA		
1-3	LX1776001	1	PRINTED PANEL PLATE, MFC795CW FOR SPA		
1-3	LX1548001	1	PRINTED PANEL PLATE, DCP195C FOR ITA		
1-3	LX3212001	1	PRINTED PANEL PLATE, DCP197C FOR ITA		
1-3	LX1805001	1	PRINTED PANEL PLATE, DCP365CN FOR ITA		
1-3	LX1309001	1	PRINTED PANEL PLATE, DCP375CW FOR ITA		
1-3	LX0938002	1	PRINTED PANEL PLATE, MFC255CW/MFC257CW FOR ITA		
1-3	LX1610001	1	PRINTED PANEL PLATE, MFC295CN FOR ITA		
1-3	LX1772001	1	PRINTED PANEL PLATE, MFC795CW FOR ITA		
1-3	LX0940002	1	PRINTED PANEL PLATE, MFC255CW FOR POR		
1-3	LX3147001	1	PRINTED PANEL PLATE, MFC295CN FOR POR		
1-3	LX3100001	1	PRINTED PANEL PLATE, MFC795CW FOR POR		
1-3	LX3698001	1	PRINTED PANEL PLATE, MFC795CW FOR CHN		
1-3	LX3632001	1	PRINTED PANEL PLATE, DCP195C FOR TWN/HK		
1-3	LX1468001	1	PRINTED PANEL PLATE, DCP375CW FOR TWN/HK		
1-3	LX1090002	1	PRINTED PANEL PLATE, MFC255CW FOR TWN/HK		
1-3	LX3655001	1	PRINTED PANEL PLATE, MFC795CW FOR TWN		
1-3	LX3542001	1	PRINTED PANEL PLATE, DCP195C FOR TUR		
1-3	LX1466001	1	PRINTED PANEL PLATE, DCP375CW FOR TUR		
1-3	LX1687001	1	PRINTED PANEL PLATE, MFC255CW FOR TUR		
1-3	LX3095001	1	PRINTED PANEL PLATE, MFC795CW FOR TUR		
1-3	LX3587001	1	PRINTED PANEL PLATE, MFC295CN FOR HK		
1-3	LX3590001	1	PRINTED PANEL PLATE, MFC295CN FOR POL		
1-3	LX3140001	1	PRINTED PANEL PLATE, MFC795CW FOR POL		
1-3	LX1464001	1	PRINTED PANEL PLATE, DCP375CW FOR RUS		
1-3	LX1092002	1	PRINTED PANEL PLATE, MFC255CW/MFC257CW FOR ASA/OCE		
1-3	LX1809001	1	PRINTED PANEL PLATE, MFC295CN FOR ASA/OCE		

DCP195C/DCP197C/DCP365CN

DCP373CW/DCP375CW/DCP377CW/DCP395CN

MFC253CW/MFC255CW/MFC255CWE/MFC257CW

MFC295CN/MFC495CW/MFC795CW

8CAJ06/11/13/15/17/33

36/35/37/41/43/47

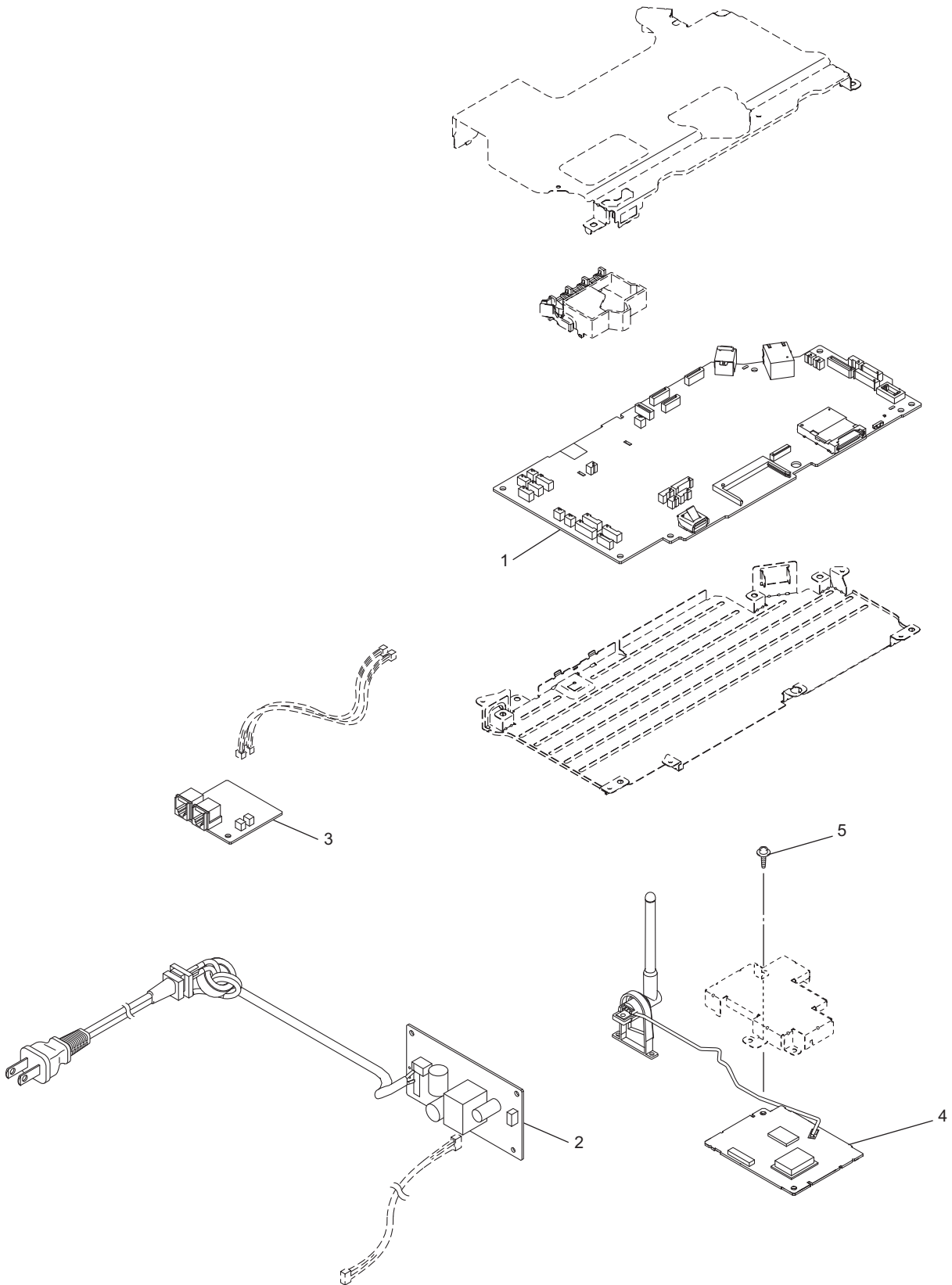
List7(PANEL)

REF No.	CODE	Q'TY	DESCRIPTION	SYMBOL	REMARKS
1-3	LX3544001	1	PRINTED PANEL PLATE, DCP195C FOR RUS		
1-3	LX3148001	1	PRINTED PANEL PLATE, MFC295CN FOR PND		
1-3	LX1541001	1	PRINTED PANEL PLATE, DCP195C FOR IBR (SPANISH)		
1-3	LX1792001	1	PRINTED PANEL PLATE, DCP365CN FOR IBR (SPANISH)		
1-3	LX1312001	1	PRINTED PANEL PLATE, DCP375CW FOR IBR (SPANISH)		
1-3	LX1544001	1	PRINTED PANEL PLATE, DCP195C FOR IBR (PORTUGUESE)		
1-3	LX1794001	1	PRINTED PANEL PLATE, DCP365CN FOR IBR (PORTUGUESE)		
1-3	LX1318001	1	PRINTED PANEL PLATE, DCP375CW FOR IBR (PORTUGUESE)		
1-3	LX1936001	1	PRINTED PANEL PLATE, DCP195C FOR CEE (POLISH)		
1-3	LX1967001	1	PRINTED PANEL PLATE, DCP365CN FOR CEE (POLISH)		
1-3	LX1428001	1	PRINTED PANEL PLATE, DCP375CW FOR CEE (POLISH)		
1-3	LX0914001	1	PRINTED PANEL PLATE, DCP395CN		
1-4	LS5346004	1	RUBBER KEYPAD L, MFC253CW		
1-4	LS5346002	1	RUBBER KEYPAD L, MFC255CW/MFC255CWE/MFC257CW/MFC295CN		
1-4	LS5517002	1	RUBBER KEYPAD L, MFC495CW		
1-4	LX0290001	1	RUBBER KEYPAD L, MFC795CW		
1-5	LS5348001	1	RUBBER KEYPAD M, MFC253CW/MFC255CW/MFC255CWE/MFC257CW/MFC295CN		
1-6	LS5172005	1	RUBBER KEYPAD, DCP195C/DCP197C		
1-6	LS5172006	1	RUBBER KEYPAD, DCP365CN/DCP373CW		
1-6	LS5172004	1	RUBBER KEYPAD, DCP375CW/DCP377CW		
1-6	LS5385004	1	RUBBER KEYPAD, DCP395CN		
1-6	LS5350004	1	RUBBER KEYPAD R, MFC253CW		
1-6	LS5350002	1	RUBBER KEYPAD R, MFC255CW/MFC255CWE/MFC257CW/MFC295CN		
1-6	LS5518002	1	RUBBER KEYPAD R, MFC495CW		
1-6	LX0292001	1	RUBBER KEYPAD R, MFC795CW		
1-7	LT0428001	1	CONTROL PANEL PCB ASSY, DCP195C/DCP197C/DCP365CN/DCP373CW/DCP375CW/DCP377CW EXCEPT FOR TWN/HK	B53K973	
1-7	LT0428002	1	CONTROL PANEL PCB ASSY, DCP195C/DCP375CW FOR TWN/HK		
1-7	LT0434002	1	CONTROL PANEL PCB ASSY, MFC255CW/MFC295CN FOR TWN/HK		
1-7	LT0430002	1	CONTROL PANEL PCB ASSY, DCP395CN	B53K974	
1-7	LT0434001	1	CONTROL PANEL PCB ASSY, MFC253CW/MFC255CW/MFC255CWE/MFC257CW/MFC295CN EXCEPT FOR TWN/HK	B53K976	
1-7	LT0491001	1	CONTROL PANEL PCB ASSY, MFC495CW	B53K977	
1-7	LT0856001	1	CONTROL PANEL PCB ASSY, MFC795CW	B57U014	
1-8	LT0498001	1	MONOCHROME LCD, DCP195C/DCP197C/DCP365CN/DCP373CW/DCP375CW/DCP377CW/MFC253CW/ MFC255CW/MFC255CWE/MFC257CW/MFC295CN EXCEPT FOR TWN/HK		
1-8	A63016001	1	MONOCHROME LCD, DCP195C/DCP375CW/MFC255CW/MFC295CN FOR TWN/HK		
1-9	LS5170002	1	PRINTED LCD SHEET, DCP195C		
1-9	LS5170003	1	PRINTED LCD SHEET, DCP197C/DCP365CN/DCP373CW/DCP375CW		
1-9	LS5170004	1	PRINTED LCD SHEET, DCP377CW		
1-9	LX3008001	1	PRINTED LCD SHEET, MFC253CW		
1-9	LX3011001	1	PRINTED LCD SHEET, MFC257CW		
1-9	LX0385001	1	PRINTED LCD SHEET, MFC255CW/MFC255CWE		
1-9	LX0591001	1	PRINTED LCD SHEET, MFC295CN		
1-10	LS4892001	1	LCD FILM, MFC253CW/MFC255CW/MFC255CWE/MFC257CW/MFC295CN		
1-11	LX1632016	1	4WAY KEY CENTER, DCP395CN/MFC253CW/MFC255CW/MFC255CWE/MFC257CW/ MFC295CN/MFC495CW		
1-12	LX1633016	2	4WAY KEY L/R, DCP395CN/MFC253CW/MFC255CW/MFC255CWE/MFC257CW/ MFC295CN/MFC495CW		
1-13	LS5730002	1	EX PANEL ASSY, DCP395CN FOR US		
1-13	LS6254002	1	EX PANEL ASSY, DCP395CN FOR GER/CHE (GERMAN)		
1-13	LS6270002	1	EX PANEL ASSY, DCP395CN FOR UK/OCE/CEE(ENGLISH)		
1-13	LS6246002	1	EX PANEL ASSY, DCP395CN FOR FRA/CHE (FRENCH)		
1-13	LS6250002	1	EX PANEL ASSY, DCP395CN FOR FRA (DUTCH)		
1-13	LS6257002	1	EX PANEL ASSY, DCP395CN FOR ITA		
1-13	LS6262002	1	EX PANEL ASSY, DCP395CN FOR IBR (SPANISH)		
1-13	LS6266002	1	EX PANEL ASSY, DCP395CN FOR IBR (PORTUGUESE)		
1-13	LX3059001	1	EX PANEL ASSY, DCP395CN FOR CEE (POLISH)		
1-14	LX3031001	1	SUB EX PANEL ASSY, DCP395CN FOR GER/CHE (GERMAN)		
1-14	LX3039001	1	SUB EX PANEL ASSY, DCP395CN FOR UK/OCE/CEE(ENGLISH)		
1-14	LX3025001	1	SUB EX PANEL ASSY, DCP395CN FOR FRA/CHE (FRENCH)		
1-14	LX3027001	1	SUB EX PANEL ASSY, DCP395CN FOR FRA (DUTCH)		
1-14	LX3024001	1	SUB EX PANEL ASSY, DCP395CN FOR ITA		
1-14	LX3033001	1	SUB EX PANEL ASSY, DCP395CN FOR IBR (SPANISH)		
1-14	LX3036001	1	SUB EX PANEL ASSY, DCP395CN FOR IBR (PORTUGUESE)		
1-14	LX3041001	1	SUB EX PANEL ASSY, DCP395CN FOR CEE (POLISH)		
1-15	LX0912001	1	COLOR LCD UNIT, DCP395CN		
1-15	LX0865001	1	COLOR LCD UNIT, MFC495CW		
1-15	LX3695001	1	COLOR LCD UNIT, MFC795CW FOR CHN		
1-15	LX0273001	1	COLOR LCD UNIT, MFC795CW EXCEPT FOR CHN		
1-16	LS4760001	1	LATCH SPRING, DCP395CN/MFC495CW		
1-16	LS5015001	1	LATCH SPRING, MFC795CW		
1-17	UF6916001	1	MIC COVER, MFC795CW		

DCP195C/DCP197C/DCP365CN
DCP373CW/DCP375CW/DCP377CW/DCP395CN
MFC253CW/MFC255CW/MFC255CWE/MFC257CW
MFC295CN/MFC495CW/MFC795CW

8CAJ06/11/13/15/17/33
36/35/37/41/43/47

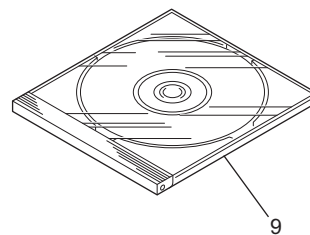
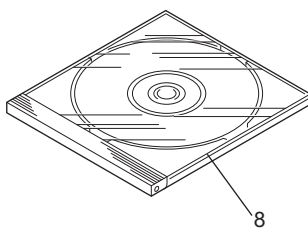
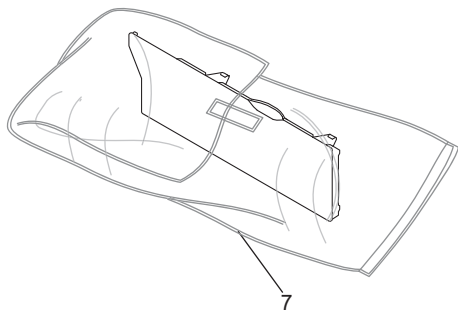
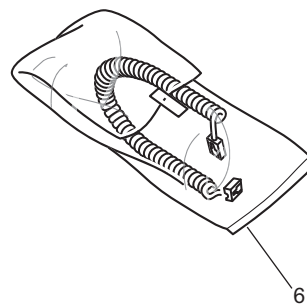
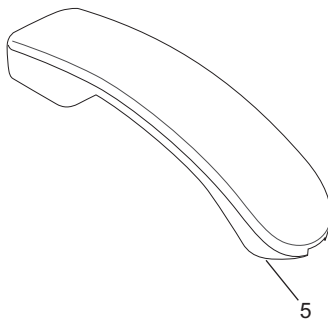
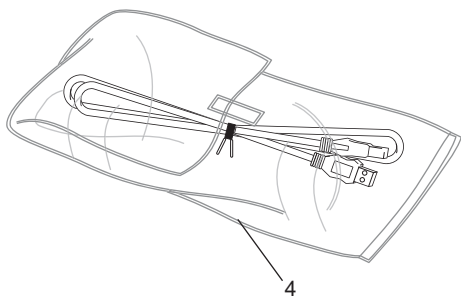
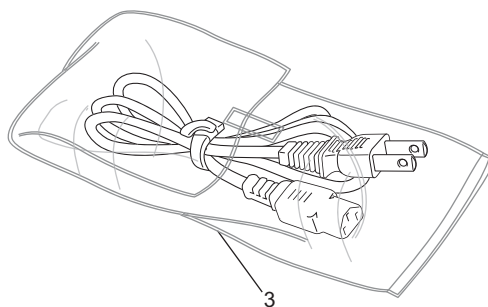
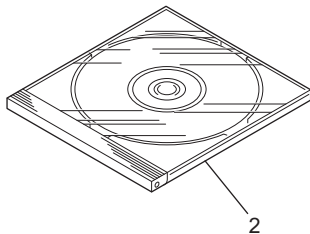
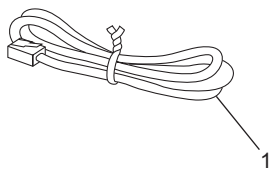
8 PCB



List8(PCB)

REF No.	CODE	Q'TY	DESCRIPTION	SYMBOL	REMARKS
1	LT0604071	1	MAIN PCB, DCP195C/DCP197C EXCEPT FOR TWN/HK	B53K961	
1	LT0851001	1	MAIN PCB, DCP365CN	B57U012	
1	LT0852011	1	MAIN PCB, DCP373CW/DCP375CW/DCP377CW EXCEPT FOR TWN/HK	B57U012	
1	LT0604075	1	MAIN PCB, DCP195C FOR TWN/HK	B53K961	
1	LT0852015	1	MAIN PCB, DCP375CW FOR TWN/HK	B57U012	
1	LT0888061	1	MAIN PCB, DCP395CN	B57U024	
1	LT0854031	1	MAIN PCB, MFC253CW/MFC255CW/MFC255CWE/MFC257CW EXCEPT FOR TWN/HK	B57U012	
1	LT0855041	1	MAIN PCB, MFC295CN EXCEPT FOR HK	B57U012	
1	LT0906016	1	MAIN PCB, MFC495CW	B57U024	
1	LT0891001	1	MAIN PCB, MFC795CW EXCEPT FOR TWN	B57U013	
1	LT0854035	1	MAIN PCB, MFC255CW FOR TWN/HK	B57U012	
1	LT0855045	1	MAIN PCB, MFC295CN FOR HK	B57U012	
1	LT0891005	1	MAIN PCB, MFC795CW FOR CHN/TWN	B57U013	
2	LT0382001	1	POWER SUPPLY PCB, DCP375CW/DCP395CN FOR US		
2	LT0485001	1	POWER SUPPLY PCB, DCP195C/DCP197C/DCP365CN/DCP373CW/DCP375CW/DCP377CW/DCP395CN/ MFC253CW/MFC255CW/MFC257CW/MFC295CN/MFC795CW FOR GER/UK/FRA/BEL/NLD/CHE/AUS/SPA/ITA/ISR/POR/TUR/HK/OCE/POL/PND/IBR/CEE		
2	LT0660001	1	POWER SUPPLY PCB, DCP195C/DCP375CW/ MFC255CW//MFC295CN/MFC795CW FOR ZAF/ASA/RUS		
2	LT0416001	1	POWER SUPPLY PCB, MFC255CWE/MFC295CN/MFC495CW/MFC795CW FOR US/CAN		
2	LT0586001	1	POWER SUPPLY PCB, MFC795CW FOR CHN		
2	LT0958001	1	POWER SUPPLY PCB, DCP195C/DCP375CW/MFC255CW/MFC795CW FOR TWN		
3	LT0405012	1	MJ PCB, MFC255CW/MFC255CWE/MFC257CW/MFC295CN/MFC495CW/MFC795CW FOR US/CAN/CHN/TWN/HK/ASA/OCE	B53K967	
3	LT0405015	1	MJ PCB, MFC253CW/MFC255CW/MFC257CW/MFC295CN/MFC795CW FOR GER/UK/FRA/BEL/NLD/CHE/AUS/SPA/ITA/ISR/POR/TUR/POL/PND/CEE	B53K967	
3	LT0405035	1	MJ PCB, MFC255CW/MFC795CW FOR ZAF	B53K967	
4			Not Used		
5			Not Used		

9 ACCESSORIES



List9(Accessories)

REF No.	CODE	QTY	DESCRIPTION	REMARKS
1	LG3077001	1	TELEPHONE LINE CORD CSA, MFC255CW/MFC255CWE/MFC257CW/MFC295CN/MFC495CW/MFC795CW FOR US/CAN/UK/NLD/SPA/ISR/POR/CHN/TWN/ZAF/TUR/POL/ASA/OCE/CEE	
1	UG3625001	1	TELEPHONE LINE CORD, MFC255CW/MFC295CN/MFC795CW FOR GER	
1	UG3626001	1	TELEPHONE LINE CORD, MFC253CW/MFC255CW/MFC257CW/ MFC295CN/MFC795CW FOR UK	
1	UG3627001	1	TELEPHONE LINE CORD, MFC255CW/MFC295CN/MFC795CW FOR FRA	
1	UG1575001	1	TELEPHONE LINE CORD, MFC255CW/MFC295CN FOR BEL	
1	LG7202001	1	TELEPHONE LINE CORD, MFC255CW/MFC295CN FOR CHE	
1	UG4205001	1	TELEPHONE LINE CORD, MFC295CN FOR AUS	
1	UG3634001	1	TELEPHONE LINE CORD, MFC255CW/MFC257CW/MFC295CN/MFC795CW FOR ITA	
1	UG3290001	1	TELEPHONE LINE CORD, MFC255CW/MFC257CW/MFC295CN/MFC795CW FOR OCE/HK	
1	LG5827001	1	TELEPHONE LINE CORD, MFC295CN FOR PND	
2	LX1228001	1	CD-ROM ASSY, DCP375CW FOR US	
2	LX1229001	1	CD-ROM ASSY, DCP395CN FOR US	
2	LX1230001	1	CD-ROM ASSY, MFC255CWE FOR US/CAN	
2	LX1231001	1	CD-ROM ASSY, MFC295CN FOR US/CAN	
2	LX1232001	1	CD-ROM ASSY, MFC495CW FOR US/CAN	
2	LX1233001	1	CD-ROM ASSY, MFC795CW FOR US/CAN	
2	LX1165001	1	CD-ROM ASSY, DCP195C FOR GER/UK/CHE/ZAF/ASA/OCE	
2	LX1172001	1	CD-ROM ASSY, DCP365CN FOR GER/UK/CHE	
2	LX1179001	1	CD-ROM ASSY, DCP375CW FOR GER/UK/CHE/ASA/OCE	
2	LX1186001	1	CD-ROM ASSY, DCP395CN FOR GER/UK/CHE/OCE	
2	LX1200001	1	CD-ROM ASSY, MFC255CW FOR GER/UK/FRA/CHE/ISR/ZAF/ASA/OCE	
2	LX1207001	1	CD-ROM ASSY, MFC295CN FOR GER/UK/FRA/CHE/AUS/ISR/ASA/OCE	
2	LX1221001	1	CD-ROM ASSY, MFC795CW FOR GER/UK/FRA/ZAF/ASA/OCE	
2	LX1722001	1	CD-ROM ASSY, DCP197C FOR UK	
2	LX1724001	1	CD-ROM ASSY, DCP373CW FOR UK	
2	LX1725001	1	CD-ROM ASSY, DCP377CW FOR UK	
2	LX1726001	1	CD-ROM ASSY, MFC253CW FOR UK	
2	LX1727001	1	CD-ROM ASSY, MFC257CW FOR UK/OCE	
2	LX1167001	1	CD-ROM ASSY, DCP195C FOR FRA	
2	LX1174001	1	CD-ROM ASSY, DCP365CN FOR FRA	
2	LX1181001	1	CD-ROM ASSY, DCP375CW FOR FRA	
2	LX1188001	1	CD-ROM ASSY, DCP395CN FOR FRA	
2	LX1202001	1	CD-ROM ASSY, MFC255CW FOR BEL/NLD	
2	LX1209001	1	CD-ROM ASSY, MFC295CN FOR BEL/NLD	
2	LX1180001	1	CD-ROM ASSY, DCP375CW FOR CHE/ITA/IBR	
2	LX1201001	1	CD-ROM ASSY, MFC255CW FOR CHE/SPA/ITA/POR	
2	LX1208001	1	CD-ROM ASSY, MFC295CN FOR CHE/SPA/ITA/POR	
2	LX1222001	1	CD-ROM ASSY, MFC795CW FOR SPA/ITA/POR	
2	LX1166001	1	CD-ROM ASSY, DCP195C FOR CHE/ITA/IBR	
2	LX1173001	1	CD-ROM ASSY, DCP365CN FOR CHE/ITA/IBR	
2	LX1723001	1	CD-ROM ASSY, DCP197C FOR ITA	
2	LX1187001	1	CD-ROM ASSY, DCP395CN FOR ITA/IBR	
2	LX1728001	1	CD-ROM ASSY, MFC257CW FOR ITA	
2	LX1235001	1	CD-ROM ASSY, DCP195C FOR TWN/HK	
2	LX1237001	1	CD-ROM ASSY, DCP375CW FOR TWN/HK	
2	LX1240001	1	CD-ROM ASSY, MFC255CW FOR TWN/HK	
2	LX1243001	1	CD-ROM ASSY, MFC795CW FOR CHN/TWN	
2	LX1171001	1	CD-ROM ASSY, DCP195C FOR TUR/RUS	
2	LX1185001	1	CD-ROM ASSY, DCP375CW FOR TUR/RUS	
2	LX1206001	1	CD-ROM ASSY, MFC255CW FOR TUR	
2	LX1227001	1	CD-ROM ASSY, MFC795CW FOR TUR	
2	LX1241001	1	CD-ROM ASSY, MFC295CN FOR HK (Windows)	
2	LX1169004	4	CD-ROM ASSY, DCP195C FOR CEE (Windows) (CZECH/HUNGARIAN/POLISH/ENGLISH)	del
2	LX1211001	1	CD-ROM ASSY, MFC295CN FOR POL/CEE (Windows) (CZECH/HUNGARIAN/POLISH/ENGLISH)	
2	LX1225001	1	CD-ROM ASSY, MFC795CW FOR POL (Windows) (CZECH/HUNGARIAN/POLISH/ENGLISH)	
2	LX1176001	1	CD-ROM ASSY, DCP365CN FOR CEE (Windows) (CZECH/HUNGARIAN/POLISH/ENGLISH)	
2	LX1190001	1	CD-ROM ASSY, DCP395CN FOR CEE (Windows) (CZECH/HUNGARIAN/POLISH/ENGLISH)	
2	LX1170001	1	CD-ROM ASSY, DCP195C FOR CEE (Windows) (BULGARIAN/ROMANIAN/SLOVAK)	
2	LX1212001	1	CD-ROM ASSY, MFC295CN FOR CEE (Windows) (BULGARIAN/ROMANIAN/SLOVAK)	
2	LX1177001	1	CD-ROM ASSY, DCP365CN FOR CEE (Windows) (BULGARIAN/ROMANIAN/SLOVAK)	
2	LX1191001	1	CD-ROM ASSY, DCP395CN FOR CEE (Windows) (BULGARIAN/ROMANIAN/SLOVAK)	
2	LX1169004	4	CD-ROM ASSY, DCP195C FOR PND (Windows)	del

DCP195C/DCP197C/DCP365CN

DCP373CW/DCP375CW/DCP377CW/DCP395CN

MFC253CW/MFC255CW/MFC255CWE/MFC257CW

MFC295CN/MFC495CW/MFC795CW

8CAJ06/11/13/15/17/33

36/35/37/41/43/47

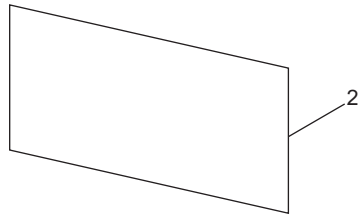
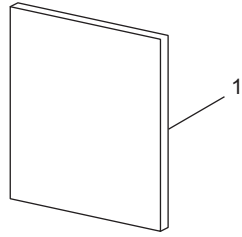
List9(Accessories)

REF No.	CODE	QTY	DESCRIPTION	REMARKS
2	LX1182001	1	CD-ROM ASSY, DCP375CW FOR PND (Windows)	
2	LX1210001	1	CD-ROM ASSY, MFC295CN FOR PND (Windows)	
2	LX1183001	1	CD-ROM ASSY, DCP375CW FOR CEE (Windows) (CZECH/HUNGARIAN/POLISH/ENGLISH)	
2	LX1184001	1	CD-ROM ASSY, DCP375CW FOR CEE (Windows) (BULGARIAN/ROMANIAN/SLOVAK)	
2	LX1336001	1	CD-ROM ASSY, DCP365CN/DCP395CN/MFC295CN FOR POL/CEE (Macintosh)	
2	LX1346001	1	CD-ROM ASSY, MFC795CW FOR POL (Macintosh)	
2	LX1333004	4	CD-ROM ASSY, DCP195C FOR PND (Macintosh)	del
2	LX1337001	1	CD-ROM ASSY, DCP375CW FOR PND (Macintosh)	
2	LX1335001	1	CD-ROM ASSY, MFC295CN FOR PND (Macintosh)	
2	LX1334004	4	CD-ROM ASSY, DCP195C FOR CEE (Macintosh)	del
2	LX1338001	1	CD-ROM ASSY, DCP375CW FOR CEE (Macintosh)	
2	LX3567001	1	CD-ROM ASSY, DCP195C FOR PND (Windows/Macintosh)	add
2	LX3568001	1	CD-ROM ASSY, DCP195C FOR CEE (Windows/Macintosh)	add
3	LG5717001	1	AC CORD BAG ASSY LF VDE FOR GER/FRA/BEL/NLD/AUS/SPA/ITA/POR/TUR/POL/ASA/RUS/PND/IBR/CEE	
3	LG5692001	1	AC CORD BAG ASSY LF UK FOR UK/HK/ASA	
3	LG5732001	1	AC CORD BAG ASSY LF SEV FOR CHE	
3	LG7005001	1	AC CORD BAG ASSY LF ISRAEL	
3	LT1404001	1	AC CORD BAG ASSY LF CCC 60227 FOR CHN	CHG
3	LG6404001	1	AC CORD BAG ASSY LF SAF FOR ZAF	
3	LG5734001	1	AC CORD BAG ASSY LF SAA FOR OCE	
3	LG5736001	1	AC CORD BAG ASSY LF DEMKO FOR PND	
4	LP0001001	1	USB CABLE FOR CHN/TWN/ZAF/TUR/HK/ASA/OCE	
5	LF3800007	1	HANDSET ASSY, MFC795CW	
6	UL8019005	1	HANDSET CURLED CORD ASSY, MFC795CW	
7	LP1569007	1	SIDE COVER ASSY, MFC795CW	
8	LS4874001	1	CD-ROM ASSY IMAGE FOLIO, DCP197C/DCP377CW/MFC257CW	
9	LX3180001	1	CD-ROM ASSY, MFC255CWE/MFC295CN/MFC495CW/MFC795CW FOR US/CAN (Windows7)	add
9	LX3181001	1	CD-ROM ASSY, DCP195C/DCP197C/DCP365CN/DCP373CW/DCP375CW/DCP377CW/DCP395CN/ MFC253CW/MFC255CW/MFC257CW/MFC295CN/MFC795CW FOR GER/UK/FRA/CHE/AUS/ZAF/ASA/OCE (Windows7)	add
9	LX3183001	1	CD-ROM ASSY, DCP195C/DCP365CN/DCP375CW/DCP395CN/MFC255CW/MFC295CN FOR FRA/BEL/NLD (Windows7)	add
9	LX3182001	1	CD-ROM ASSY, DCP195C/DCP197C/DCP365CN/DCP375CW/DCP395CN/ MFC255CW/MFC257CW/MFC295CN/MFC795CW FOR CHE/SPA/ITA/POR/IBR (Windows7)	add
9	LX3187001	1	CD-ROM ASSY, DCP195C/DCP375CW/MFC255CW/MFC795CW FOR TUR/RUS (Windows7)	add
9	LX3184001	1	CD-ROM ASSY, DCP195C/DCP375CW/MFC295CN FOR PND (Windows7)	add
9	LX3185001	1	CD-ROM ASSY, DCP195C/DCP365CN/DCP375CW/DCP395CN/ MFC255CW/MFC295CN/MFC795CW FOR ISR/POL/CEE (Windows7)	add
9	LX3186001	1	CD-ROM ASSY, DCP195C/DCP365CN/DCP375CW/DCP395CN/ MFC255CW/MFC295CN FOR ISR/CEE (Windows7)	add
9	LX3188001	1	CD-ROM ASSY, DCP195C/DCP375CW/MFC255CW/MFC295CN/ MFC795CW FOR CHN/TWN/HK (Windows7)	
(10)	LG3622001	1	TELEPHONE PLUG DUT, MFC255CW/MFC295CN FOR NLD	
(10)	LG6573001	1	TELEPHONE PLUG ARL, MFC255CW/MFC257CW/MFC295CN/MFC795CW FOR OCE	
(10)	LG5830001	1	TELEPHONE PLUG SWE, MFC255CW/MFC295CN FOR PND	
(10)	UG3468000	1	TELEPHONE PLUG HK, MFC255CW/MFC295CN FOR HK	
(10)	LG5829001	1	TELEPHONE PLUG FIN, MFC255CW/MFC295CN FOR PND	
(10)	LG5828001	1	TELEPHONE PLUG DEN, MFC255CW/MFC295CN FOR PND	

DCP195C/DCP197C/DCP365CN
DCP373CW/DCP375CW/DCP377CW/DCP395CN
MFC253CW/MFC255CW/MFC255CWE/MFC257CW
MFC295CN/MFC495CW/MFC795CW

8CAJ06/11/13/15/17/33
36/35/37/41/43/47

10 PRINTED MATERIALS



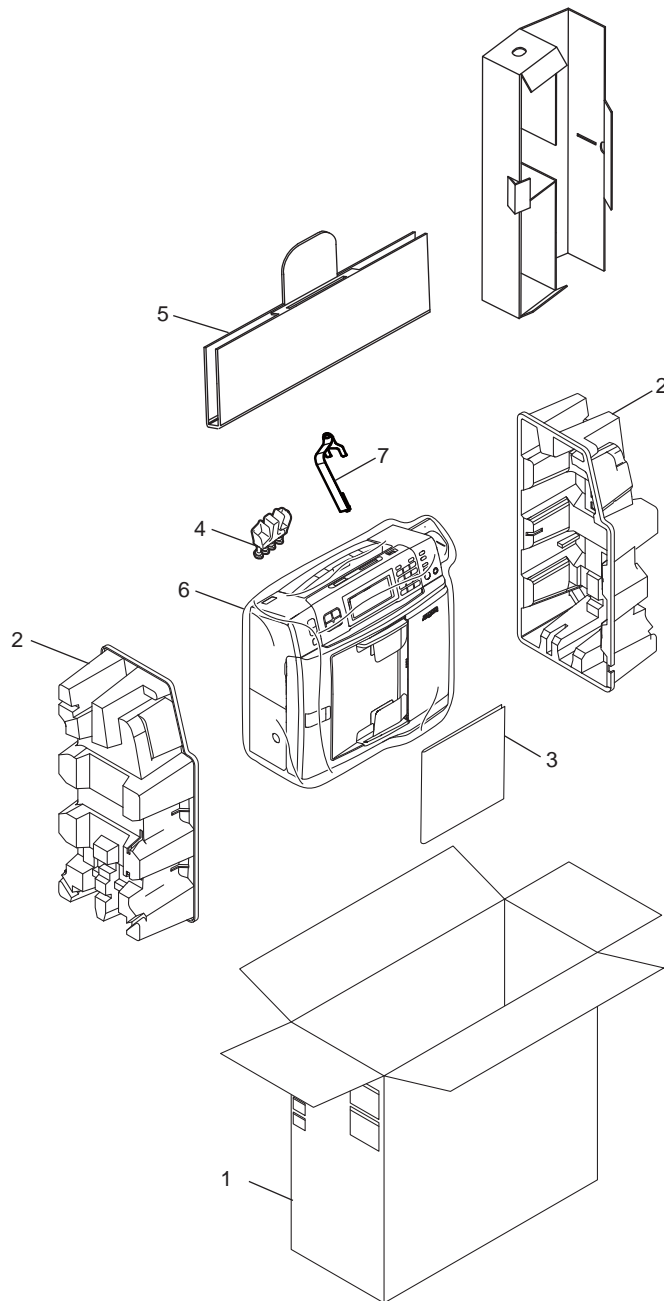
List10(PRINTED MATERIALS)

REF No.	CODE	Q'TY	DESCRIPTION	REMARKS
1	LX1286001	1	USER'S GUIDE, DCP375CW FOR US (ENGLISH)	
1	LX1450001	1	USER'S GUIDE, DCP395CN FOR US (ENGLISH)	
1	LX1441001	1	USER'S GUIDE, MFC255CWE/MFC295CN FOR US/CAN (ENGLISH)	
1	LX1508001	1	USER'S GUIDE, MFC495CW FOR US/CAN (ENGLISH)	
1	LX1556001	1	USER'S GUIDE, MFC795CW FOR US/CAN (ENGLISH)	
1	LX1441002	1	USER'S GUIDE, MFC255CWE/MFC295CN FOR CAN (FRENCH)	
1	LX1508002	1	USER'S GUIDE, MFC495CW FOR CAN (FRENCH)	
1	LX1556002	1	USER'S GUIDE, MFC795CW FOR CAN (FRENCH)	
1	LX1485003	1	USER'S GUIDE, DCP195C/DCP365CN/DCP375CW FOR GER/CHE (GERMAN)	chg
1	LX3046003	1	USER'S GUIDE, DCP395CN FOR GER/CHE (GERMAN)	
1	LX1489003	1	USER'S GUIDE, MFC255CW/MFC295CN FOR GER/AUS	
1	LX1741003	1	USER'S GUIDE, MFC795CW FOR GER	
1	LX1485004	1	USER'S GUIDE, DCP195C/DCP197C/DCP365CN/ DCP373CW/DCP375CW/DCP377CW FOR UK	chg
1	LX3046004	1	USER'S GUIDE, DCP395CN FOR UK	
1	LX1489004	1	USER'S GUIDE, MFC253CW/MFC255CW/MFC257CW/MFC295CN FOR UK	
1	LX1741004	1	USER'S GUIDE, MFC795CW FOR UK	
1	LX1485005	1	USER'S GUIDE, DCP195C/DCP365CN/DCP375CW FOR FRA/CHE (FRENCH)	chg
1	LX3046005	1	USER'S GUIDE, DCP395CN FOR FRA/CHE (FRENCH)	
1	LX1485009	1	USER'S GUIDE, DCP195C/DCP365CN/DCP375CW FOR FRA (DUTCH)	chg
1	LX3046009	1	USER'S GUIDE, DCP395CN FOR FRA (DUTCH)	
1	LX1489005	1	USER'S GUIDE, MFC255CW/MFC295CN FOR FRA	
1	LX1741005	1	USER'S GUIDE, MFC795CW FOR FRA	
1	LX1489008	1	USER'S GUIDE, MFC255CW/MFC295CN FOR BEL (DUTCH)	
1	LX1489009	1	USER'S GUIDE, MFC255CW/MFC295CN FOR NLD	
1	LX1489058	1	USER'S GUIDE, MFC255CW/MFC295CN FOR BEL/CHE (FRENCH)	
1	LX1489010	1	USER'S GUIDE, MFC255CW/MFC295CN FOR CHE (GERMAN)	
1	LX1489015	1	USER'S GUIDE, MFC255CW/MFC295CN FOR SPA	
1	LX1741015	1	USER'S GUIDE, MFC795CW FOR SPA	
1	LX1485016	1	USER'S GUIDE, DCP195C/DCP197C/DCP365CN/DCP375CW FOR CHE/ITA (ITALIAN)	chg
1	LX3046016	1	USER'S GUIDE, DCP395CN FOR ITA	
1	LX1489016	1	USER'S GUIDE, MFC255CW/MFC257CW/MFC295CN FOR ITA	
1	LX1741016	1	USER'S GUIDE, MFC795CW FOR ITA	
1	LX3729020	1	USER'S GUIDE, MFC795CW FOR CHN	
1	LX1485025	1	USER'S GUIDE, DCP195C/DCP375CW FOR TUR	chg
1	LX1489025	1	USER'S GUIDE, MFC255CW FOR TUR	
1	LX1741025	1	USER'S GUIDE, MFC795CW FOR TUR	
1	LX1489018	1	USER'S GUIDE, MFC255CW/MFC295CN FOR POR	
1	LX1741018	1	USER'S GUIDE, MFC795CW FOR POR	
1	LX6483023	1	USER'S GUIDE, DCP195C/DCP375CW FOR TWN/HK (CANTONESE)	CHG
1	LX1741023	1	USER'S GUIDE, MFC795CW FOR TWN	
1	LX1489028	1	USER'S GUIDE, MFC255CW/MFC295CN FOR TWN/HK (CANTONESE)	
1	LX1485040	1	USER'S GUIDE, DCP195C/DCP365CN/DCP375CW FOR ZAF/HK/ASA/OCE (ENGLISH)	chg
1	LX1489024	1	USER'S GUIDE, MFC255CW FOR ZAF	
1	LX1741024	1	USER'S GUIDE, MFC795CW FOR ZAF	
1	LX3046056	1	USER'S GUIDE, DCP395CN FOR OCE	
1	LX1489040	1	USER'S GUIDE, MFC255CW/MFC257CW/MFC295CN FOR HK/ASA/OCE (ENGLISH)	
1	LX1741040	1	USER'S GUIDE, MFC795CW FOR ASA/OCE	
1	LX1485048	1	USER'S GUIDE, DCP195C/DCP375CW FOR RUS	chg
1	LX1485015	1	USER'S GUIDE, DCP195C/DCP365CN/DCP375CW FOR IBR (SPANISH)	chg
1	LX3046015	1	USER'S GUIDE, DCP395CN FOR IBR (SPANISH)	
1	LX1485018	1	USER'S GUIDE, DCP195C/DCP365CN/DCP375CW FOR IBR (PORTUGUESE)	chg
1	LX3046018	1	USER'S GUIDE, DCP395CN FOR IBR (PORTUGUESE)	
1	LX1942007	1	USER'S GUIDE, DCP195C/DCP375CW FOR PND (NORWEGIAN/SWEDISH)	chg
1	LX3087007	1	USER'S GUIDE, MFC295CN FOR PND (NORWEGIAN/SWEDISH)	
1	LX1942013	1	USER'S GUIDE, DCP195C/DCP375CW FOR PND (FINNISH/DANISH)	chg
1	LX3087013	1	USER'S GUIDE, MFC295CN FOR PND (FINNISH/DANISH)	
4	LX1358004	4	USER'S GUIDE, MFC255CWE FOR US/CAN (ENGLISH)	del
4	LX1358002	4	USER'S GUIDE, MFC255CWE FOR CAN (FRENCH)	del
2	LX1365001	1	FRENCH SEAL, MFC255CWE FOR CAN	
2	LX1446001	1	FRENCH SEAL, MFC295CN FOR CAN	
2	LX1514001	1	FRENCH SEAL, MFC495CW FOR CAN	
2	LX1458001	1	FRENCH SEAL, MFC795CW FOR CAN	

DCP195C/DCP197C/DCP365CN
DCP373CW/DCP375CW/DCP377CW/DCP395CN
MFC253CW/MFC255CW/MFC255CWE/MFC257CW
MFC295CN/MFC495CW/MFC795CW

8CAJ06/11/13/15/17/33
36/35/37/41/43/47

11 PACKAGING



List11(PACKAGING)

REF No.	CODE	Q'TY	DESCRIPTION	REMARKS
1	LX1283001	1	CARTON BROTHER, DCP375CW FOR US	
1	LX1452001	1	CARTON BROTHER, DCP395CN FOR US	
1	LX1359001	1	CARTON BROTHER, MFC255CWE FOR US	
1	LX1439001	1	CARTON BROTHER, MFC295CN FOR US	
1	LX1510001	1	CARTON BROTHER, MFC495CW FOR US	
1	LX1557001	1	CARTON BROTHER, MFC795CW FOR US	
1	LX1367001	1	CARTON BROTHER, MFC255CWE FOR CAN	
1	LX1445001	1	CARTON BROTHER, MFC295CN FOR CAN	
1	LX1511001	1	CARTON BROTHER, MFC495CW FOR CAN	
1	LX1479001	1	CARTON BROTHER, MFC795CW FOR CAN	
1	LX1497001	1	CARTON BROTHER, DCP195C FOR GER/CHE	
1	LX1758001	1	CARTON BROTHER, DCP365CN FOR GER/CHE	
1	LX1295001	1	CARTON BROTHER, DCP375CW FOR GER/CHE	
1	LX3058001	1	CARTON BROTHER, DCP395CN FOR GER/CHE	
1	LX1486001	1	CARTON BROTHER, MFC255CW FOR GER/CHE	
1	LX1566001	1	CARTON BROTHER, MFC295CN FOR GER/CHE/AUS	
1	LX1740001	1	CARTON BROTHER, MFC795CW FOR GER	
1	LX1498001	1	CARTON BROTHER, DCP195C FOR UK/RUS/PND/CEE	
1	LX3214001	1	CARTON BROTHER, DCP197C FOR UK/ITA	
1	LX1783001	1	CARTON BROTHER, DCP365CN FOR UK/CEE	
1	LX1843001	1	CARTON BROTHER, DCP373CW FOR UK	
1	LX1294001	1	CARTON BROTHER, DCP375CW FOR UK/RUS/PND/CEE	
1	LX1850001	1	CARTON BROTHER, DCP377CW FOR UK	
1	LX3057001	1	CARTON BROTHER, DCP395CN FOR UK/CEE	
1	LX1854001	1	CARTON BROTHER, MFC253CW FOR UK	
1	LX1524001	1	CARTON BROTHER, MFC255CW FOR UK/ISR	
1	LX1858001	1	CARTON BROTHER, MFC257CW FOR UK/ITA	
1	LX1615001	1	CARTON BROTHER, MFC295CN FOR UK/ISR/POL/PND/CEE	
1	LX1769001	1	CARTON BROTHER, MFC795CW FOR UK/POL	
1	LX1499001	1	CARTON BROTHER, DCP195C FOR FRA	
1	LX1784001	1	CARTON BROTHER, DCP365CN FOR FRA	
1	LX1296001	1	CARTON BROTHER, DCP375CW FOR FRA	
1	LX3056001	1	CARTON BROTHER, DCP395CN FOR FRA	
1	LX1522001	1	CARTON BROTHER, MFC255CW FOR FRA/BEL/NLD	
1	LX1617001	1	CARTON BROTHER, MFC295CN FOR FRA/BEL/NLD	
1	LX1767001	1	CARTON BROTHER, MFC795CW FOR FRA	
1	LX1519001	1	CARTON BROTHER, MFC255CW FOR SPA/ITA/POR	
1	LX1616001	1	CARTON BROTHER, MFC295CN FOR SPA/ITA/POR	
1	LX1764001	1	CARTON BROTHER, MFC795CW FOR SPA/ITA/POR	
1	LX1500001	1	CARTON BROTHER, DCP195C FOR ITA/IBR	
1	LX1785001	1	CARTON BROTHER, DCP365CN FOR ITA/IBR	
1	LX1297001	1	CARTON BROTHER, DCP375CW FOR ITA/IBR	
1	LX3055001	1	CARTON BROTHER, DCP395CN FOR ITA/IBR	
1	LX1811001	1	CARTON BROTHER, MFC795CW FOR CHN	
1	LX1917001	1	CARTON BROTHER, DCP195C FOR TWN/ZAF/TUR/HK/ASA/OCE	
1	LX1476001	1	CARTON BROTHER, DCP375CW FOR TWN/TUR/HK/ASA/OCE	
1	LX3089001	1	CARTON BROTHER, DCP395CN FOR OCE	
1	LX1676001	1	CARTON BROTHER, MFC255CW FOR TWN/ZAF/TUR/HK/ASA/OCE	
1	LX1755001	1	CARTON BROTHER, MFC295CN FOR HK/ASA/OCE	
1	LX1923001	1	CARTON BROTHER, MFC795CW FOR TWN/ZAF/TUR/ASA/OCE	
1	LX3121001	1	CARTON BROTHER, MFC257CW FOR OCE	
2	LS5182001	1	PULP CUSHION ASSY, DCP195C/DCP197C/DCP365CN/DCP373CW/DCP375CW/DCP377CW/DCP395CN/ MFC253CW/MFC255CW/MFC255CWE/MFC257CW	
2	LS5314001	1	PULP CUSHION ASSY, MFC295CN/MFC495CW	
2	LS5594001	1	PULP CUSHION ASSY, MFC795CW	
3	LX1282001	1	QUICK SETUP GUIDE, DCP375CW FOR US (ENGLISH)	
3	LX1453001	1	QUICK SETUP GUIDE, DCP395CN FOR US (ENGLISH)	
3	LX1360001	4	QUICK SETUP GUIDE, MFC255CWE FOR US/CAN (ENGLISH)	del
3	LX0790001	1	QUICK SETUP GUIDE, MFC255CWE/MFC295CN FOR US/CAN (ENGLISH)	
3	LX1512001	1	QUICK SETUP GUIDE, MFC495CW FOR US/CAN (ENGLISH)	
3	LX1558001	1	QUICK SETUP GUIDE, MFC795CW FOR US/CAN (ENGLISH)	
3	LX1360002	4	QUICK SETUP GUIDE, MFC255CWE FOR CAN (FRENCH)	del
3	LX0790002	1	QUICK SETUP GUIDE, MFC255CWE/MFC295CN FOR CAN (FRENCH)	
3	LX1512002	1	QUICK SETUP GUIDE, MFC495CW FOR CAN (FRENCH)	
3	LX1558002	1	QUICK SETUP GUIDE, MFC795CW FOR CAN (FRENCH)	
3	LX1506003	1	QUICK SETUP GUIDE, DCP195C FOR GER/CHE (GERMAN)	
3	LX1760003	1	QUICK SETUP GUIDE, DCP365CN FOR GER/CHE (GERMAN)	
3	LX1298003	1	QUICK SETUP GUIDE, DCP375CW FOR GER/CHE (GERMAN)	
3	LX3054003	1	QUICK SETUP GUIDE, DCP395CN FOR GER/CHE (GERMAN)	
3	LX1488003	1	QUICK SETUP GUIDE, MFC255CW/MFC295CN FOR GER/AUS	
3	LX1738003	1	QUICK SETUP GUIDE, MFC795CW FOR GER	
3	LX1506004	1	QUICK SETUP GUIDE, DCP195C/DCP197C FOR UK	
3	LX1760004	1	QUICK SETUP GUIDE, DCP365CN FOR UK	
3	LX1298004	1	QUICK SETUP GUIDE, DCP373CW/DCP375CW/DCP377CW FOR UK	

DCP195C/DCP197C/DCP365CN
DCP373CW/DCP375CW/DCP377CW/DCP395CN
MFC253CW/MFC255CW/MFC255CWE/MFC257CW
MFC295CN/MFC495CW/MFC795CW

8CAJ06/11/13/15/17/33
36/35/37/41/43/47

List11(PACKAGING)

REF No.	CODE	Q'TY	DESCRIPTION	REMARKS
3	LX3054004	1	QUICK SETUP GUIDE, DCP395CN FOR UK	
3	LX1488004	1	QUICK SETUP GUIDE, MFC253CW/MFC255CW/MFC257CW/MFC295CN FOR UK	
3	LX1738004	1	QUICK SETUP GUIDE, MFC795CW FOR UK	
3	LX1506005	1	QUICK SETUP GUIDE, DCP195C FOR FRA/CHE (FRENCH)	
3	LX1760005	1	QUICK SETUP GUIDE, DCP365CN FOR FRA/CHE (FRENCH)	
3	LX1298005	1	QUICK SETUP GUIDE, DCP375CW FOR FRA/CHE (FRENCH)	
3	LX3054005	1	QUICK SETUP GUIDE, DCP395CN FOR FRA/CHE (FRENCH)	
3	LX1506009	1	QUICK SETUP GUIDE, DCP195C FOR FRA (DUTCH)	
3	LX1760009	1	QUICK SETUP GUIDE, DCP365CN FOR FRA (DUTCH)	
3	LX1298009	1	QUICK SETUP GUIDE, DCP375CW FOR FRA (DUTCH)	
3	LX3054009	1	QUICK SETUP GUIDE, DCP395CN FOR FRA (DUTCH)	
3	LX1488005	1	QUICK SETUP GUIDE, MFC255CW/MFC295CN FOR FRA	
3	LX1738005	1	QUICK SETUP GUIDE, MFC795CW FOR FRA	
3	LX1488008	1	QUICK SETUP GUIDE, MFC255CW/MFC295CN FOR BEL (DUTCH)	
3	LX1488058	1	QUICK SETUP GUIDE, MFC255CW/MFC295CN FOR BEL/CHE (FRENCH)	
3	LX1488009	1	QUICK SETUP GUIDE, MFC255CW/MFC295CN FOR NLD	
3	LX1488010	1	QUICK SETUP GUIDE, MFC255CW/MFC295CN FOR CHE(GERMAN)	
3	LX1488015	1	QUICK SETUP GUIDE, MFC255CW/MFC295CN FOR SPA	
3	LX1738015	1	QUICK SETUP GUIDE, MFC795CW FOR SPA	
3	LX1506016	1	QUICK SETUP GUIDE, DCP195C/DCP197C FOR CHE/ITA (ITALIAN)	
3	LX1760016	1	QUICK SETUP GUIDE, DCP365CN FOR ITA	
3	LX1298016	1	QUICK SETUP GUIDE, DCP375CW FOR ITA	
3	LX3054016	1	QUICK SETUP GUIDE, DCP395CN FOR ITA	
3	LX1488016	1	QUICK SETUP GUIDE, MFC255CW/MFC257CW/MFC295CN FOR ITA	
3	LX1738016	1	QUICK SETUP GUIDE, MFC795CW FOR ITA	
3	LX1488037	1	QUICK SETUP GUIDE, MFC255CW/MFC295CN FOR ISR/CEE (ENGLISH/CZECH/HUNGARIAN)	
3	LX1488018	1	QUICK SETUP GUIDE, MFC255CW/MFC295CN FOR POR	
3	LX1738018	1	QUICK SETUP GUIDE, MFC795CW FOR POR	
3	LX3730020	1	QUICK SETUP GUIDE, MFC795CW FOR CHN	
3	LX1506028	1	QUICK SETUP GUIDE, DCP195C FOR TWN/HK (CANTONESE)	
3	LX1298028	1	QUICK SETUP GUIDE, DCP375CW FOR TWN/HK (CANTONESE)	
3	LX1488028	1	QUICK SETUP GUIDE, MFC255CW/MFC295CN FOR TWN/HK (CANTONESE)	
3	LX1738023	1	QUICK SETUP GUIDE, MFC795CW FOR TWN	
3	LX1506025	1	QUICK SETUP GUIDE, DCP195C FOR TUR	
3	LX1298025	1	QUICK SETUP GUIDE, DCP375CW FOR TUR	
3	LX1488025	1	QUICK SETUP GUIDE, MFC255CW FOR TUR	
3	LX1738025	1	QUICK SETUP GUIDE, MFC795CW FOR TUR	
3	LX1506040	1	QUICK SETUP GUIDE, DCP195C FOR ZAF/HK/ASA/OCE	
3	LX1488024	1	QUICK SETUP GUIDE, MFC255CW FOR ZAF	
3	LX1738024	1	QUICK SETUP GUIDE, MFC795CW FOR ZAF	
3	LX1298040	1	QUICK SETUP GUIDE, DCP375CW FOR HK/ASA/OCE (ENGLISH)	
3	LX1738040	1	QUICK SETUP GUIDE, MFC795CW FOR ASA/OCE	
3	LX3054056	1	QUICK SETUP GUIDE, DCP395CN FOR OCE	
3	LX1488040	1	QUICK SETUP GUIDE, MFC255CW/MFC257CW/MFC295CN FOR HK/ASA/OCE (ENGLISH)	
3	LX1488039	1	QUICK SETUP GUIDE, MFC295CN FOR POL	
3	LX1738039	1	QUICK SETUP GUIDE, MFC795CW FOR POL	
3	LX1506048	1	QUICK SETUP GUIDE, DCP195C FOR RUS	
3	LX1298048	1	QUICK SETUP GUIDE, DCP375CW FOR RUS	
3	LX1506015	1	QUICK SETUP GUIDE, DCP195C FOR IBR (SPANISH)	
3	LX1760015	1	QUICK SETUP GUIDE, DCP365CN FOR IBR (SPANISH)	
3	LX1298015	1	QUICK SETUP GUIDE, DCP375CW FOR IBR (SPANISH)	
3	LX3054015	1	QUICK SETUP GUIDE, DCP395CN FOR IBR (SPANISH)	
3	LX1506018	1	QUICK SETUP GUIDE, DCP195C FOR IBR (PORTUGUESE)	
3	LX1760018	1	QUICK SETUP GUIDE, DCP365CN FOR IBR (PORTUGUESE)	
3	LX1298018	1	QUICK SETUP GUIDE, DCP375CW FOR IBR (PORTUGUESE)	
3	LX3054018	1	QUICK SETUP GUIDE, DCP395CN FOR IBR (PORTUGUESE)	
3	LX1506007	1	QUICK SETUP GUIDE, DCP195C FOR PND (NORWEGIAN)	
3	LX1298007	1	QUICK SETUP GUIDE, DCP375CW FOR PND (NORWEGIAN)	
3	LX1488007	1	QUICK SETUP GUIDE, MFC295CN FOR PND (NORWEGIAN)	
3	LX1506012	1	QUICK SETUP GUIDE, DCP195C FOR PND (FINNISH)	
3	LX1298012	1	QUICK SETUP GUIDE, DCP375CW FOR PND (FINNISH)	
3	LX1488012	1	QUICK SETUP GUIDE, MFC295CN FOR PND (FINNISH)	
3	LX1506013	1	QUICK SETUP GUIDE, DCP195CW FOR PND (DANISH)	
3	LX1298013	1	QUICK SETUP GUIDE, DCP375CW FOR PND (DANISH)	
3	LX1488013	1	QUICK SETUP GUIDE, MFC295CN FOR PND (DANISH)	
3	LX1506026	1	QUICK SETUP GUIDE, DCP195C FOR PND (SWEDISH)	
3	LX1298026	1	QUICK SETUP GUIDE, DCP375CW FOR PND (SWEDISH)	
3	LX1488026	1	QUICK SETUP GUIDE, MFC295CN FOR PND (SWEDISH)	
3	LX1506054	1	QUICK SETUP GUIDE, DCP195C FOR CEE (ENGLISH)	
3	LX1947038	1	QUICK SETUP GUIDE, DCP195C FOR CEE (CZECH/HUNGARIAN)	
3	LX1760037	1	QUICK SETUP GUIDE, DCP365CN FOR CEE (CZECH/HUNGARIAN/POLISH)	
3	LX1298037	1	QUICK SETUP GUIDE, DCP375CW FOR CEE (CZECH/HUNGARIAN/POLISH)	
3	LX3054037	1	QUICK SETUP GUIDE, DCP395CN FOR CEE (CZECH/HUNGARIAN/POLISH)	
3	LX1947039	1	QUICK SETUP GUIDE, DCP195C FOR CEE (POLISH/BULGARIAN)	
3	LX1760059	1	QUICK SETUP GUIDE, DCP365CN FOR CEE (BULGARIAN/ROMANIAN/SLOVAK)	

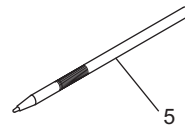
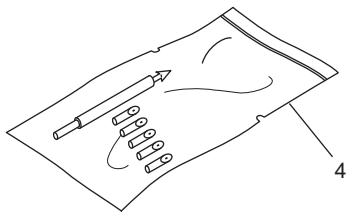
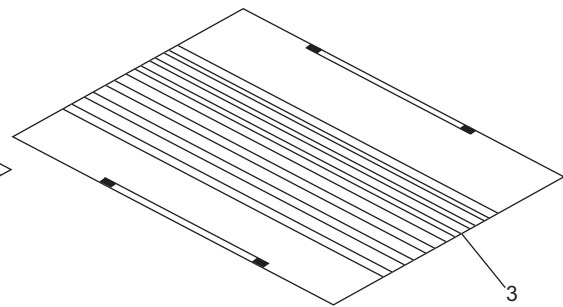
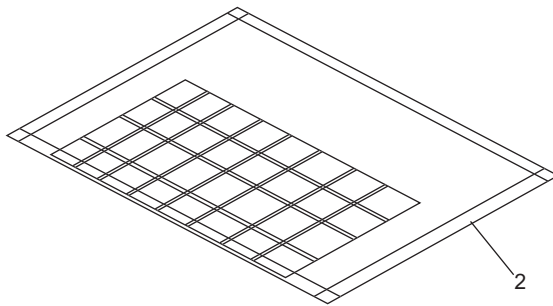
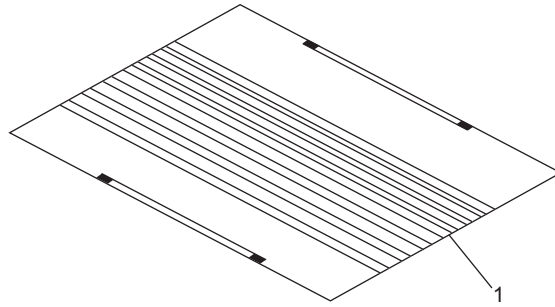
DCP195C/DCP197C/DCP365CN
DCP373CW/DCP375CW/DCP377CW/DCP395CN
MFC253CW/MFC255CW/MFC255CWE/MFC257CW
MFC295CN/MFC495CW/MFC795CW

8CAJ06/11/13/15/17/33
36/35/37/41/43/47

List11(PACKAGING)

REF No.	CODE	Q'TY	DESCRIPTION	REMARKS
3	LX1298059	1	QUICK SETUP GUIDE, DCP375CW FOR CEE (BULGARIAN/ROMANIAN/SLOVAK)	
3	LX3054059	1	QUICK SETUP GUIDE, DCP395CN FOR CEE (BULGARIAN/ROMANIAN/SLOVAK)	
3	LX1488059	1	QUICK SETUP GUIDE, MFC295CN FOR CEE (BULGARIAN/ROMANIAN/SLOVAK)	
3	LX1947051	1	QUICK SETUP GUIDE, DCP195C FOR EEU (ROMANIAN/SLOVAK)	
4	LK4424001	1	PROTECT CTG SUPPLY ASSY(SP)	
5	LS5185001	1	ACCESSORIES SHEET, DCP195C/DCP197C/DCP365CN/DCP373CW/DCP375CW/DCP377CW/DCP395CN/ MFC253CW/MFC255CW/MFC255CWE/MFC257CW EXCEPT FOR US	
5	LS5317001	1	ACCESSORIES SHEET, MFC295CN EXCEPT FOR US/CAN	
5	LS5535001	1	ACCESSORIES SHEET, MFC795CW	
6	LS2696001	1	PE BAG 580X650H, DCP195C/DCP197C/DCP365CN/DCP373CW/DCP375CW/DCP377CW/DCP395CN/ MFC253CW/MFC255CW/MFC255CWE/MFC257CW/MFC295CN/MFC495CW	
6	LP3576001	1	PE BAG 620X800H50 P, MFC795CW	
7	LS6205001	1	PAPER TRAY STOPPER LABEL ASSY, DCP395CN/MFC495CW/MFC795CW	ADD

12 OTHERS



List12(OTHERS)

REF No.	CODE	Q'TY	DESCRIPTION	REMARKS
1	UF8263001	1	TEST CHART-027	
2	UF9258001	1	COLOR TEST CHART CTC-001	
3	UF4600001	1	CONTRAST CHART TC-023	
4	ZA0310001	1	HEAD CLEANER STICK ASSY	
5	XA9940051	1	STYLUS, MFC795CW	