



**FACSIMILE EQUIPMENT
PARTS REFERENCE LIST**

**MODEL: FAX1800C
MFC3100C/MFC3200C
(For U.S.A. / Canada / Australia /
New Zealand / Brazil / Hong Kong /
Asia)**

© Copyright Brother 2001

All rights reserved

No part of this publication may be reproduced in any form
or by any means without permission in writing from the
publisher.

Specifications are subject to change without prior notice.

NOTES FOR USING THIS PARTS REFERENCE LIST

1. In the case of ordering parts, it needs mentioning the following items:

- (1) Code
- (2) Q' ty
- (3) Description

Note: No orders without Parts Code or Tool No. can be accepted.

[Example]

REF.NO.	(1) CODE	(2) Q' TY	(3) DESCRIPTION	RECOMMEND	REMARKS

2. Design-changed parts:

When the parts are changed, any one of the following symbols is mentioned in the REMARKS column.

CNG(cng) : The part is changed to a new part.

ADD(add) : The part is newly added.

DEL(del) : The part is deleted.

Symbol in capital letters indicates that the change is the latest one in the page.

3. Parts change will be informed by the technical information.

COUNTRIES

U.S.A. ---- US

CANADA ---- CAN

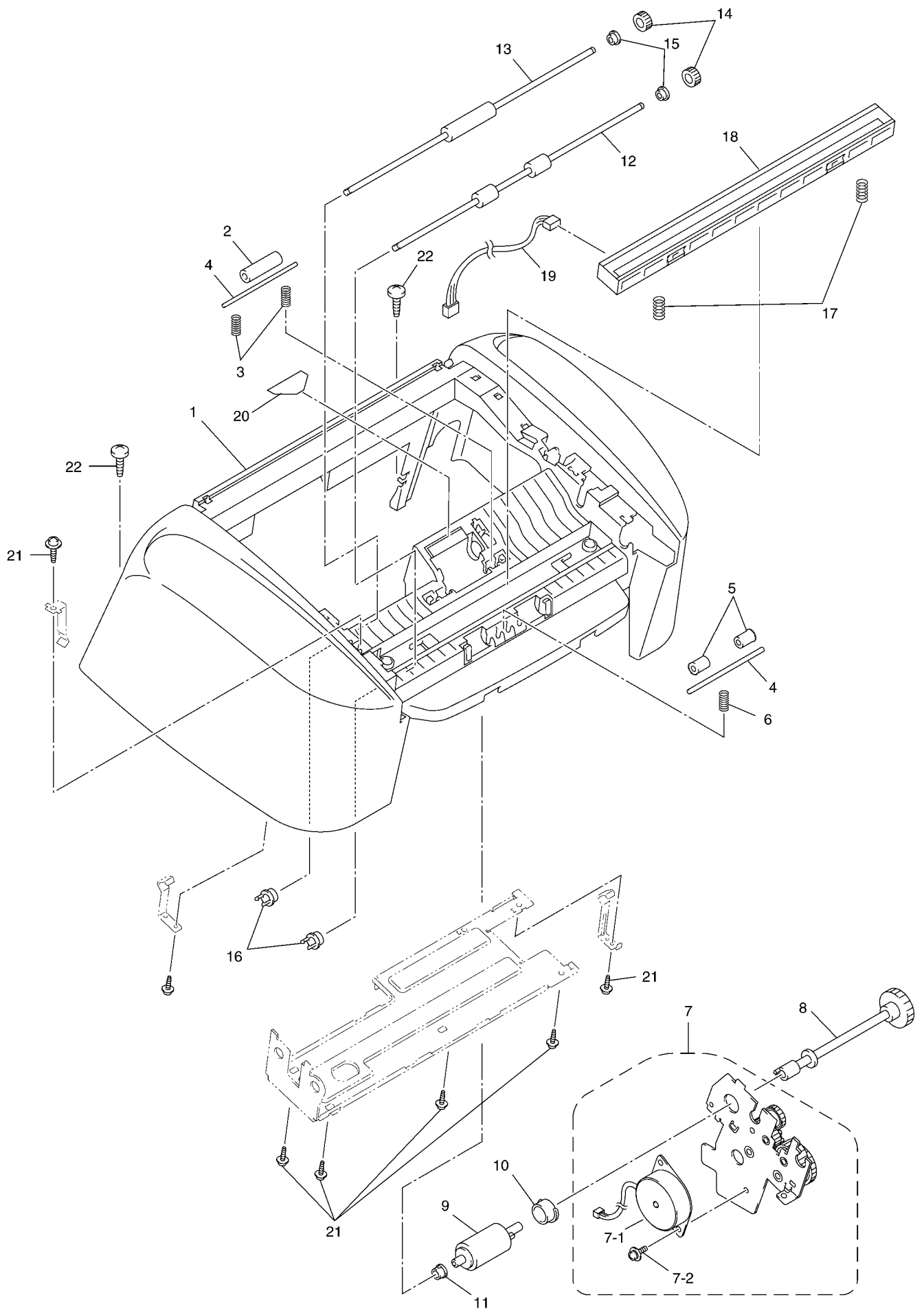
AUSTRALIA ---- ARL

NEW ZEALAND ---- NZ

BRAZIL ---- BRA

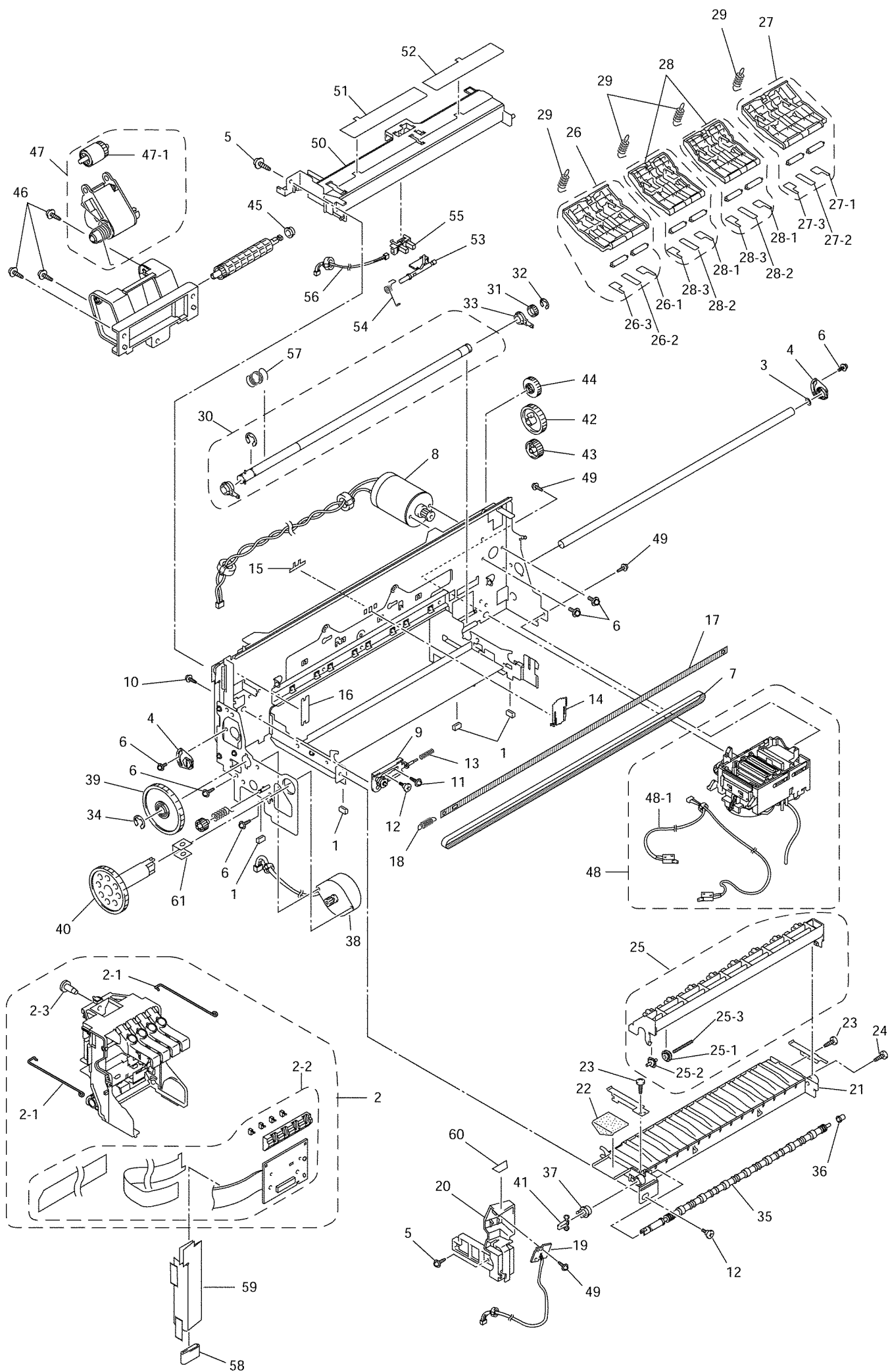
HONG KONG ---- HK

ASIA ---- ASA



LIST1 (SCANNER)

REF No.	CODE	QTY	DESCRIPTION	RECOMMEND	REMARK
1	LE6579001	1	UPPER COVER, GRAY(1495), FAX1800C, MFC3200C		
1	LE6124001	1	UPPER COVER, GRAY(1495), MFC3100		
2	UU0021001	1	PRESSURE ROLLER		
3	LE2472001	2	PRESSURE ROLLER SPRING		
4	LE2471001	2	PRESSURE ROLLER SHAFT		
5	UL6244002	2	PINCH ROLLER		
6	LE6126001	1	PINCH ROLLER SPRING		
7	LE6127001	1	SCANNER DRIVE UNIT		
7-1	LE6130001	1	SCANNER MOTOR		
7-2	0A4300605	1	SCREW, PAN (S/P WASHER) M3X6		
8	UU7030001	1	SEPARATION ROLLER GEAR		
9	UU7031001	1	SEPARATION ROLLER		
10	LE6325001	1	BUSHING 12		
11	LE6326001	1	BUSHING 6		
12	LE6301001	1	DOCUMENT EJECTION ROLLER		
13	LE6302001	1	DOCUMENT FEED ROLLER		
14	UU7039001	2	GEAR 27		
15	UF8105001	2	CONDUCTIVE BUSHING		
16	UF0026001	2	PAWLED PLASTIC BUSHING		
17	UU2028001	2	CIS SPRING		
18	LG3117001	1	CIS UNIT, COLOR	√	
19	LG3118001	1	CIS HARNESS		
20	LE6479001	1	SEPARATION ROLLER FILM		
21	087311016	6	TAPTITE, CUP B M3X10		
22	085411216	2	TAPTITE, BIND B M4X12		



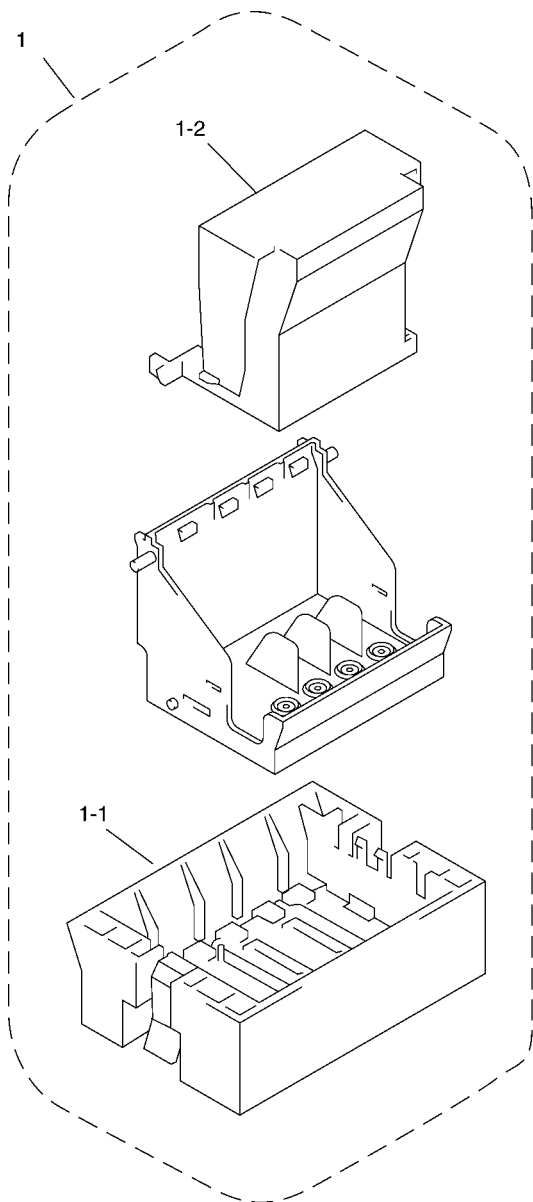
LIST2(ENGINE)

* You have to use the same color spare part with the original part for the replacement.

REF No.	CODE	QTY	DESCRIPTION	RECOMMEND	REMARK
1	LE6053001	4	RUBBER BUSH		
2	LE6198001	1	CARRIAGE ASSY		
2-1	LE6062001	2	HEAD CLAMP SPRING		
2-2	LE6715001	1	CARRIAGE PCB ASSY	√	
2-3	LE6911001	1	STOPPER PIN		<add>
3	LE6421001	1	WAVY WASHER		
4	LE6722001	2	ECCENTRIC BUSHING		
5	087320616	2	TAPTITE, CUP S M3X6		
6	0A5300605	4	SCREW, PAN (S/P WASHER) M3X6		
7	LE6074001	1	TIMING BELT		
8	LE6434001	1	CARRIAGE MOTOR		
9	LE6424001	1	IDLE PULLEY HOLDER ASSY		
10	087320616	1	TAPTITE, CUP S M3X6		
11	0A5300805	1	SCREW, PAN (S/P WASHER) M3X8		
12	UF9823001	2	SHOULDER SCREW		
13	LE3171001	1	PULLEY SPRING		
14	LE6078001	1	FLAT CABLE CLAMP		
15	LE6571001	1	CABLE CLAMP STOPPER FILM		
16	LE6152001	1	FFC CLAMP FILM		
17	LE6425001	1	ENCODER STRIP		
18	UD6012001	1	ENCODER STRIP SPRING		
19	LG3124001	1	INK EMPTY SENSOR PCB		
20	LE6081001	1	SENSOR SUPPORT		
21	LE6082001	1	PLATEN		
22	LE6385001	1	FLUSHING SPONGE		
23	085271015	2	TAPTITE, BIND B M2.6X10		
24	085311015	1	SCREW, BIND B TITE 3X10		
25	LE6430001	1	STAR WHEEL SUPPORT ASSY		
25-1	LE6504001	7	STAR WHEEL B		
25-2	LE6805001	8	STAR WHEEL A		
25-3	LE6107001	7	STAR WHEEL SPRING		
26	LE6874001	1	PRESSURE ROLLER HOLDER L ASSY		
26-1	LE6875001	1	PRESSURE HOLDER FILM A		
26-2	LE6876001	1	PRESSURE HOLDER FILM B		
26-3	LE6392001	1	PRESSURE HOLDER FILM C		
27	LE6877001	1	PRESSURE ROLLER HOLDER R ASSY		
27-1	LE6875001	1	PRESSURE HOLDER FILM A		
27-2	LE6876001	1	PRESSURE HOLDER FILM B		
27-3	LE6392001	1	PRESSURE HOLDER FILM C		
28	LE6878001	2	PRESSURE ROLLER HOLDER ASSY		
28-1	LE6875001	1	PRESSURE HOLDER FILM A		
28-2	LE6876001	1	PRESSURE HOLDER FILM B		
28-3	LE6392001	1	PRESSURE HOLDER FILM C		
29	LE6090001	4	PRESSURE ROLLER SPRING		
*30	LE6091003	1	PAPER FEED ROLLER ASSY, RED (INCLUDING PF BUSHING L)		
*30	LE6091004	1	PAPER FEED ROLLER ASSY, BLUE (INCLUDING PF BUSHING L)		<add>
31	LE6093001	1	PF ROLLER GEAR R		
32	LE6121001	1	RETAINING RING, EXTERNAL C5		
33	LE6095001	1	PF BUSHING R		
34	LE6122001	1	RETAINING RING, EXTERNAL C8		
35	LE6096001	1	PAPER EJECTION ROLLER ASSY		
36	UU1290001	1	CONDUCTIVE BUSHING		
37	UF9949001	1	EJECTION ROLLER BUSHING		
38	LE6489001	1	PAPER FEED MOTOR ASSY		
39	LE6101001	1	PF ROLLER GEAR		
40	LE6103001	1	PAPER EJECTION ROLLER GEAR		
41	LE6104001	1	JOINT		
42	UF8034001	1	GEAR,39		
43	LE9268001	1	GEAR, 25M		
44	LE6109001	1	GEAR, 31 MF		
45	UF8105001	1	CONDUCTIVE BUSHING		
46	087320616	3	TAPTITE, CUP S M3X6		
47	LE6576001	1	GEAR HOLDER ASSY		
47-1	LE3432001	1	ASF ROLLER		
48	LE6002001	1	PURGE UNIT ASSY	√	
48-1	LG3083001	1	PURGE SWITCH ASSY		
48-2	LE6472001	1	PURGE FOAM		
49	087310815	3	TAPTITE, CUP B M3X8		
50	LE6134001	1	PAPER CHUTE		
51	LE6393001	1	CHUTE FILM L		
52	LE6394001	1	CHUTE FILM R		

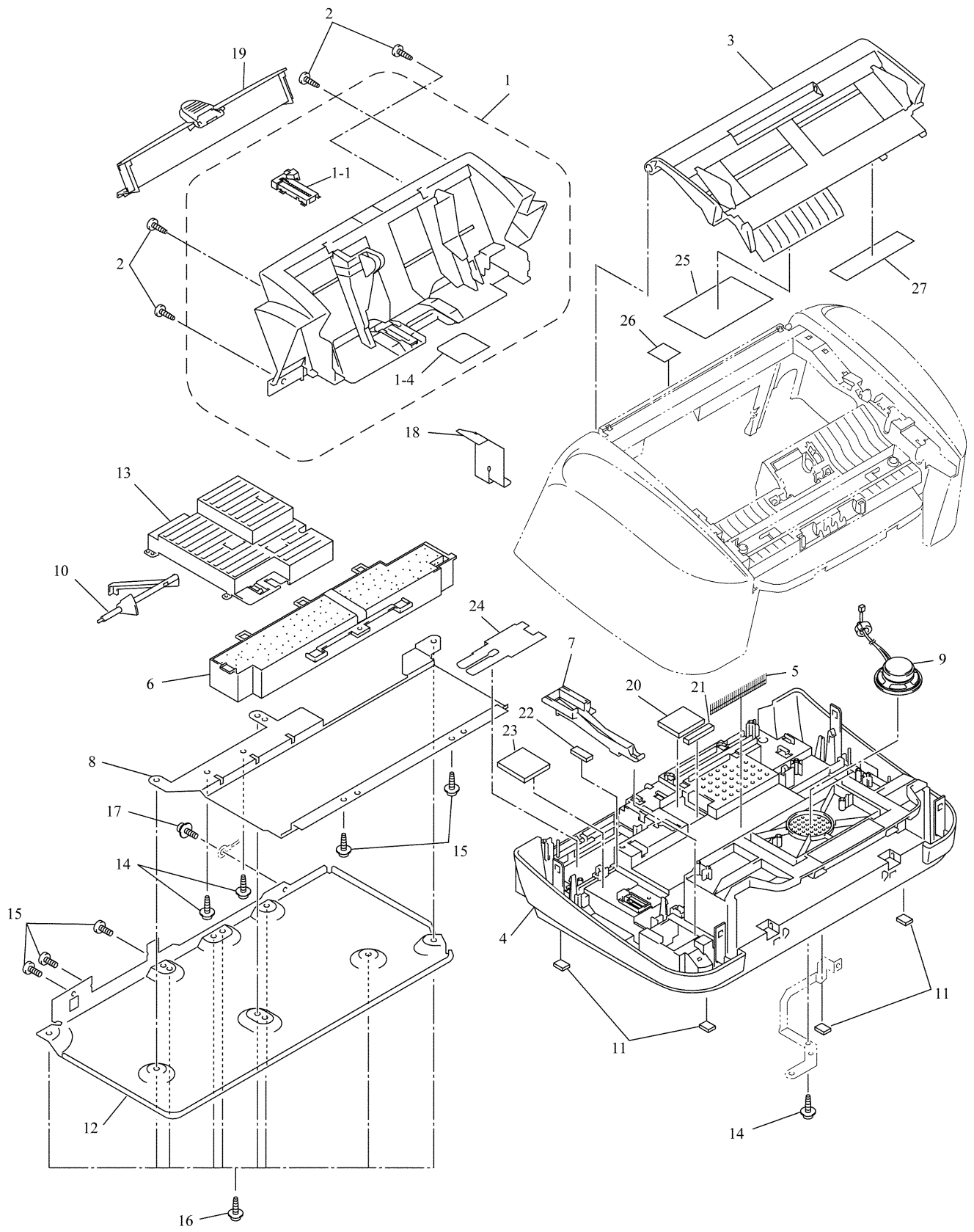
LIST2(ENGINE)

REF No.	CODE	QTY	DESCRIPTION	RECOMMEND	REMARK
53	LE3194001	1	REGISTRATION SENSOR ACTUATOR		
54	LE6153001	1	TORSION SPRING 7.2X140		
55	LG2239001	1	REGISTRATION SENSOR		
56	LG3156001	1	REGISTRATION SENSOR HARNESS		
57	LE6356001	1	PF SPRING		
58	UG5577000	1	FLAT CORE		
59	LE6438001	1	FLAT CABLE GUIDE		
60	LE6440001	1	INK EMPTY SENSOR LIGHT BLOCK FILM		
61	LE6626001	1	SUPPORT SPRING		
62	0A5300805	2	SCREW, PAN (S/P WASHER) M3X6		
63	LE6863001	1	CHUTE FILM		<add>
64	LE6376001	1	IDLE GEAR SPRING		<add>
65	LE6857001	1	IDOL GEAR		<add>
66	LE6858001	1	POLYSLIDER WASHER		<add>



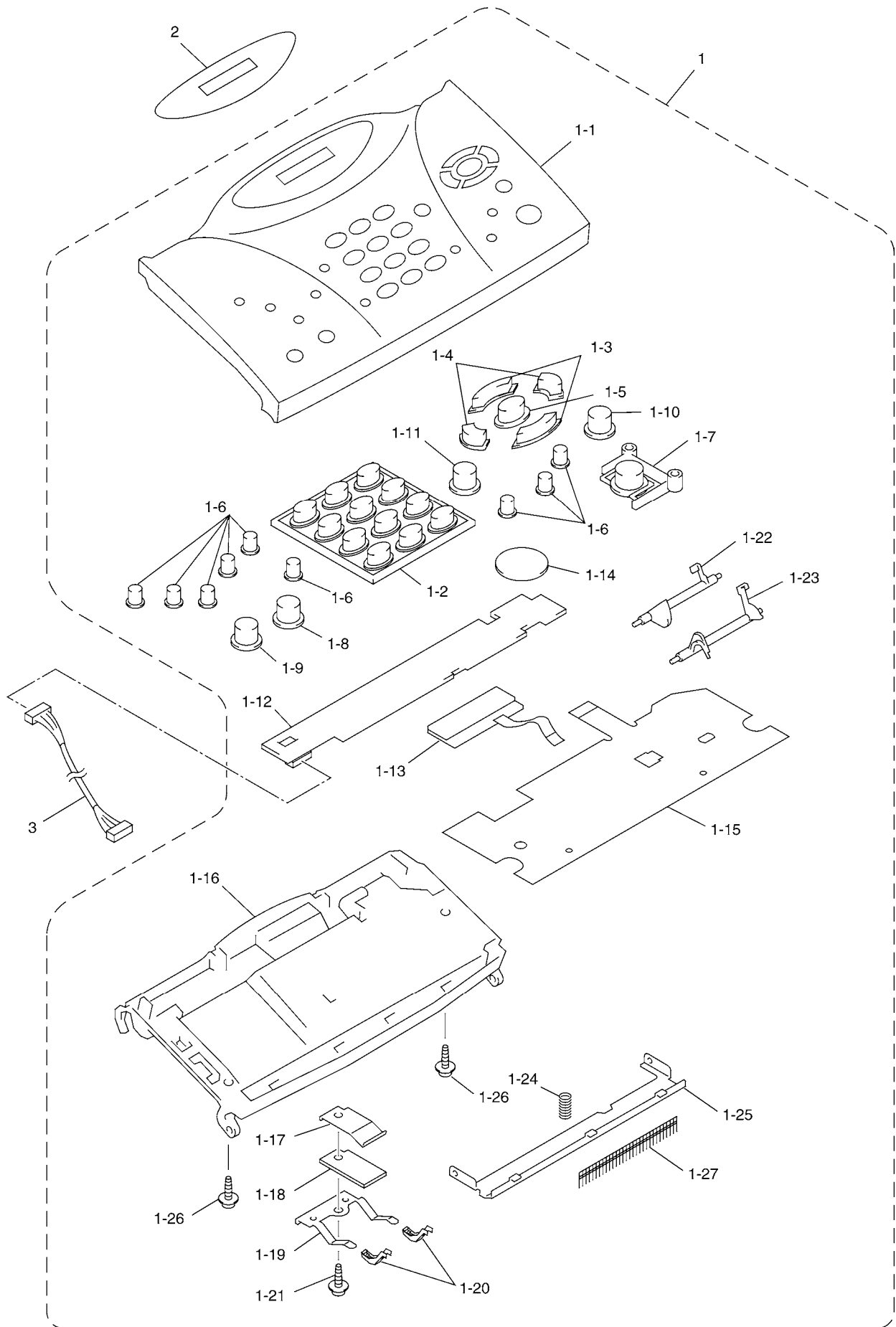
LIST3(HEAD UNIT)

REF No.	CODE	QTY	DESCRIPTION	RECOMMEND	REMARK
1	LK0935001	1	PRINT HEAD (SP)		CHG
1-1	LK0516001	1	NOZZLE PROTECTOR SEALS(SP)		
1-2	LK0536001	1	HEAD FILTER SEALS(SP)		



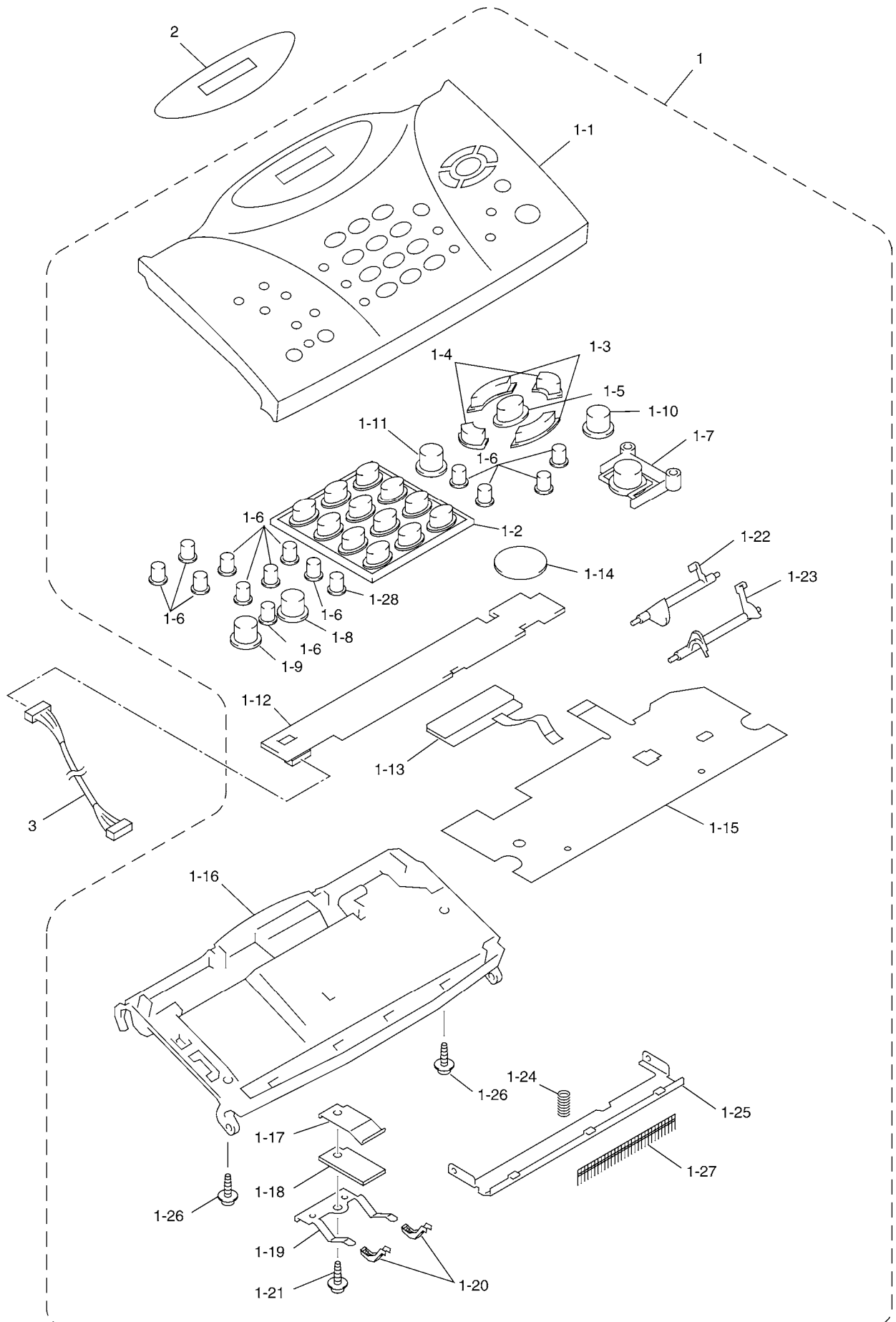
LIST4(COVER)

REF No.	CODE	QTY	DESCRIPTION	RECOMMEND	REMARK
1	LE6135001	1	ACF ASSY, GRAY(1495), MFC3100C		
1	LE6135002	1	ACF ASSY, PURPLE(6255), FAX1800C, MFC3200C		
1-1	LE6903001	1	SEPARATION PAD ASSY		CHG
4-2	LE3255004	4	SEPARATION PAD HOLDER		DEL
4-3	LE3434004	4	HOLDER CAP		DEL
1-4	LE6442001	1	ACF FILM		
4-5	LE6008004	4	GUIDE CAP		DEL
2	085411616	4	TAPTITE, BIND B M4X16		
3	LE6143001	1	TOP COVER ASSY, GRAY(1495), MFC3100C		
3	LE6143002	1	TOP COVER ASSY, PURPLE(6255), FAX1800C, MFC3200C		
4	LE6580001	1	LOWER COVER, FAX1800C, MFC3200C		
4	LE6147001	1	LOWER COVER, MFC3100C FOR US/CAN/BRA		
4	LE6671001	1	LOWER COVER, MFC3100C FOR ARL/NZ/HK/ASA		
5	LE6568001	1	ANTI-STATIC BRUSH		
6	LE6148001	1	INK ABSORBER BOX ASSY		
7	LE6463001	1	FLUSHING BOX ASSY		
8	LE6322001	1	BOTTOM SHIELD PLATE		
9	LG3658001	1	SPEAKER ASSY, FAX1800C, MFC3200C		
10	LE6154001	1	PAPER WIDTH SENSOR ACTUATOR		
11	LE6185001	4	RUBBER FOOT		
12	LE6824001	1	BOTTOM PLATE		
13	LE6156001	1	ENCLOSURE COVER		
14	087320516	3	TAPTITE, CUP S M3X5		
15	002300616	3	SCREW, PAN M3X6		
16	087311216	11	TAPTITE, CUP B M3X12		
17	UF6559001	1	SCREW, PAN (WASHER) M4X8DB		
18	LE6813001	1	FENCE FILM		
19	LE6142001	1	JAM CLEAR COVER, GRAY(1495), MFC3100C		
19	LE6142002	1	JAM CLEAR COVER, PURPLE(6255), FAX1800C, MFC3200C		
20	LE6553001	1	INK FENCE A		
21	LE6554001	1	INK FENCE B		
22	LE6555001	1	INK FENCE C		
23	LE6556001	1	INK FENCE D		
24	LE6557001	1	PCB COVER SHEET		
25	LE6160001	1	INK REPLACEMENT INSTRUCTION LABEL		
26	LE6525001	1	JAM MARK LABEL		
27	LE6530001	1	CONSUMABLE LABEL		
(28)	UU0456001	1	PROTECTION PAPER		
(29)	LE6583001	1	HANDSET HOLDER ASSY, FAX1800C, MFC3200C		
(30)	UG5030001	1	HOOK PCB, FAX1800C, MFC3200C		
(31)	UF8167008	1	ACTUATOR HOOK, FAX1800C, MFC3200C		
(32)	LG3649001	1	HOOK MAIN HARNESS, FAX1800C, MFC3200C		



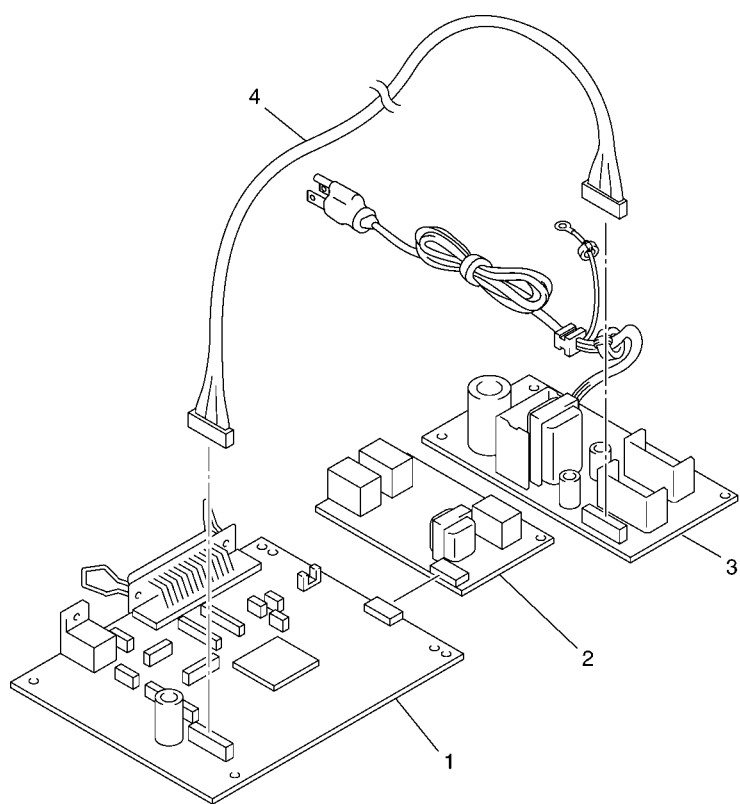
LIST5A(CONTROL PANEL3100)

REF No.	CODE	QTY	DESCRIPTION	RECOMMEND	REMARK
1	LE6165001	1	CONTROL PANEL ASSY, MFC3100C FOR US/CAN/BRA	√	
1	LE6656001	1	CONTROL PANEL ASSY, MFC3100C FOR ARL/NZ/HK/ASA	√	
1-1	LE6166001	1	CONTROL PANEL, MFC3100C FOR US/CAN/BRA		
1-1	LE6657001	1	CONTROL PANEL, MFC3100C FOR ARL/NZ/HK/ASA		
1-2	LE4073003	1	KEY, TEN, GRAY(1495)		
1-3	LE6168001	2	KEY, CURSOR L, PURPLE(6255)		
1-4	LE6169001	2	KEY, CURSOR S, PURPLE(6255)		
1-5	LE6079001	1	KEY, MENU		
1-6	LE3295001	9	KEY, CYLINDER 6, GRAY(1495), MFC3100C		
1-7	LE9228003	1	KEY, BLACK FAX START, GRAY(1496)		
1-8	LE6171005	1	KEY, BLACK COPY, GRAY(1496)		
1-9	LE6171002	1	KEY, COLOR COPY, GREEN(5159)		
1-10	LE6171003	1	KEY, COLOR FAX START, PURPLE(6255)		
1-11	LE6171004	1	KEY, STOP, PINK(2205)		
1-12	LG3127001	1	CONTROL PANEL PCB ASSY, MFC3100C		
1-13	LG2567001	1	LCD		
1-14	UG3803000	1	PIEZO RINGER, MFC3100C		
1-15	LG3258001	1	FPC KEY, MFC3100C		
1-16	LE6174001	1	PANEL REAR COVER		
1-17	LE3330001	1	ADF SPRING PLATE B		
1-18	LE3299001	1	SEPARATION RUBBER		
1-19	LE3300001	1	ADF SPRING PLATE A		
1-20	LE3323001	2	ADF GUIDE CAP		
1-21	UF5034001	1	TAPTITE, B 3X6		
1-22	LE6176001	1	DOCUMENT FRONT SENSOR ACTUATOR		
1-23	LE6177001	1	DOCUMENT REAR SENSOR ACTUATOR		
1-24	UU2057001	1	DOCUMENT PRESSURE BAR SPRING		
1-25	LE6652001	1	DOCUMENT PRESSURE BAR		
1-26	087310815	2	TAPTITE, CUP B M3X8		
1-27	LE1071001	1	ANTI-STATIC BRUSH		
2	LE6178001	1	LCD SHEET, MFC3100C FOR US/CAN/BRA	√	
2	LE6658001	1	LCD SHEET, MFC3100C FOR ARL/NZ/HK/ASA	√	
3	LG3135001	1	PANEL-MAIN HARNESS		



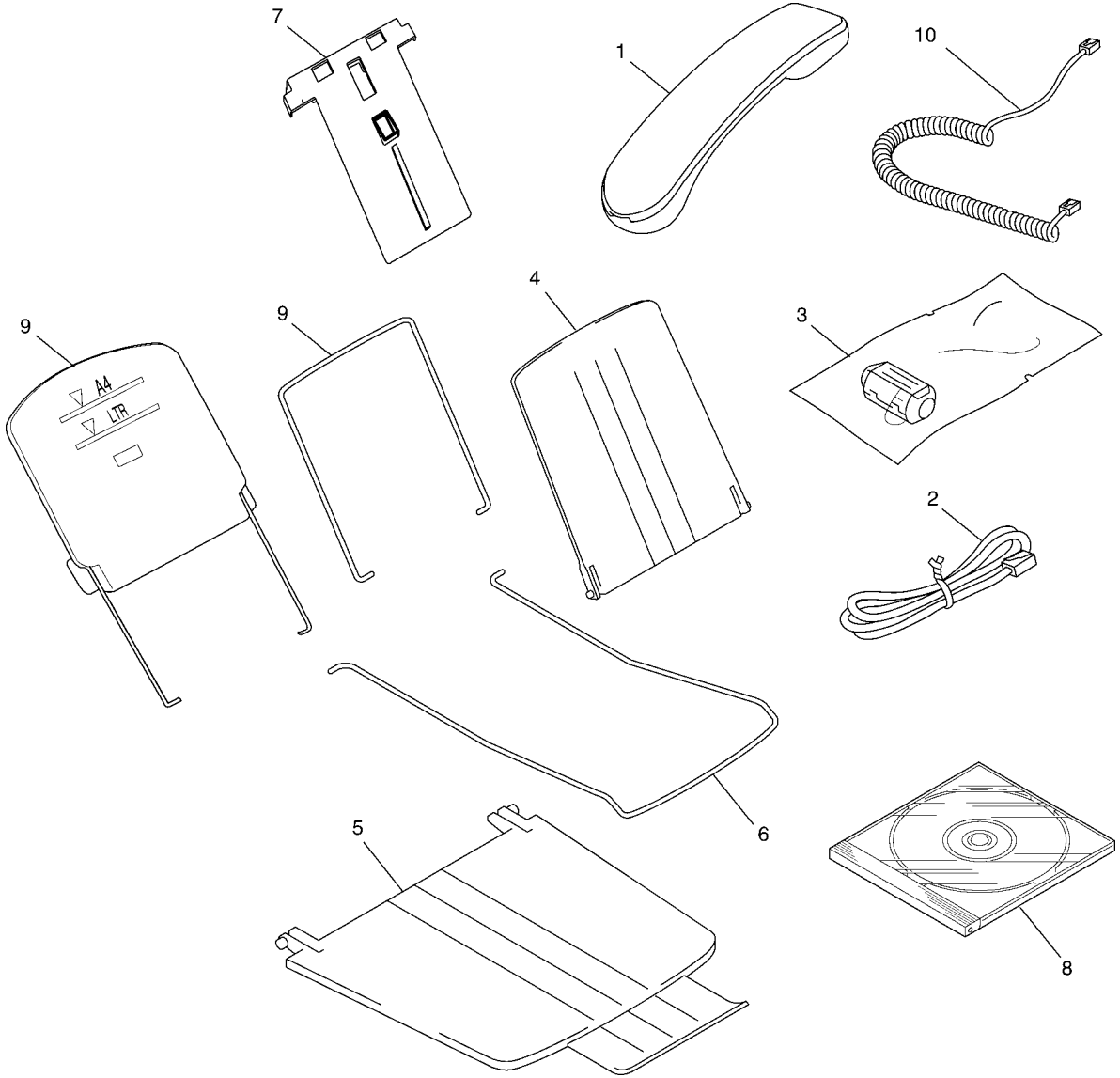
LIST5B(CONTROL PANEL1800-3200)

REF No.	CODE	QTY	DESCRIPTION	RECOMMEND	REMARK
1	LE6592001	1	CONTROL PANEL ASSY, FAX1800C	√	
1	LE6886001	1	CONTROL PANEL ASSY, MFC3200C	√	
1-1	LE6593001	1	CONTROL PANEL, FAX1800C		
1-1	LE6887001	1	CONTROL PANEL, MFC3200C		
1-2	LE4073003	1	KEY, TEN, GRAY(1495)		
1-3	LE6168001	2	KEY, CURSOR L, PURPLE(6255)		
1-4	LE6169001	2	KEY, CURSOR S, PURPLE(6255)		
1-5	LE6079001	1	KEY, MENU		
1-6	LE3295001	13	KEY, CYLINDER 6, GRAY(1495), FAX1800C, MFC3200C		
1-7	LE9228003	1	KEY, BLACK FAX START, GRAY(1496)		
1-8	LE6171005	1	KEY, BLACK COPY, GRAY(1496)		
1-9	LE6171002	1	KEY, COLOR COPY, GREEN(5159)		
1-10	LE6171003	1	KEY, COLOR FAX START, PURPLE(6255)		
1-11	LE6171004	1	KEY, STOP, PINK(2205)		
1-12	LG3650001	1	CONTROL PANEL PCB ASSY, FAX1800C, MFC3200C		
1-13	LG2567001	1	LCD		
1-14	----		NOT USED		
1-15	LG3651001	1	FPC KEY, FAX1800C, MFC3200C		
1-16	LE6174001	1	PANEL REAR COVER		
1-17	LE3330001	1	ADF SPRING PLATE B		
1-18	LE3299001	1	SEPARATION RUBBER		
1-19	LE3300001	1	ADF SPRING PLATE A		
1-20	LE3323001	2	ADF GUIDE CAP		
1-21	UF5034001	1	TAPTITE, B 3X6		
1-22	LE6176001	1	DOCUMENT FRONT SENSOR ACTUATOR		
1-23	LE6177001	1	DOCUMENT REAR SENSOR ACTUATOR		
1-24	UU2057001	1	DOCUMENT PRESSURE BAR SPRING		
1-25	LE6652001	1	DOCUMENT PRESSURE BAR		
1-26	087310815	2	TAPTITE, CUP B M3X8		
1-27	LE1071001	1	ANTI-STATIC BRUSH		
1-28	LE3295003	1	KEY, CYLINDER 6, GRAY(1496), FAX1800C		
1-28	LE3295001	1	KEY, CYLINDER 6, GRAY(1495), MFC3200C		
2	LE6595001	1	LCD SHEET, FAX1800C	√	
2	LE6888001	1	LCD SHEET, MFC3200C	√	
3	LG3135001	1	PANEL-MAIN HARNESS		



LIST6(PCB)

REF No.	CODE	QTY	DESCRIPTION	RECOMMEND	REMARK
1	LG3652001	1	MAIN PCB ASSY, FAX1800C, MFC3200C	√	
1	LG3511001	1	MAIN PCB ASSY, MFC3100C FOR US/CAN	√	
1	LG3577021	1	MAIN PCB ASSY, MFC3100C FOR ARL/NZ	√	
1	LG3577023	1	MAIN PCB ASSY, MFC3100C FOR HK/ASA/BRA	√	
2	LG3655001	1	NCU PCB ASSY, FAX1800C, MFC3200C	√	
2	LG3149001	1	NCU PCB ASSY, MFC3100C FOR US/CAN	√	
2	LG3689001	1	NCU PCB ASSY, MFC3100C FOR ARL/NZ/HK/ASA/BRA	√	
3	LG3152001	1	POWER SUPPLY PCB ASSY FOR US/CAN	√	This part may not be always available.
3	LG4198001	1	POWER SUPPLY PCB ASSY FOR US/CAN (Only for the machines with letter "Z" on the rating plate	√	
3	LG3666001	1	POWER SUPPLY PCB ASSY FOR ARL/NZ	√	
3	LG3701001	1	POWER SUPPLY PCB ASSY FOR HK/ASA	√	
3	LG4448001	1	POWER SUPPLY PCB ASSY FOR BRA	√	<ADD>
4	LG3154001	1	POWER SUPPLY HARNESS		



LIST7(Accessories)

REF No.	CODE	QTY	DESCRIPTION	RECOMMEND	REMARK
1	LE0446011	1	HANDSET ASSY, FAX1800C, MFC3200C		
2	LG3077001	1	TELEPHONE LINE CORD, FOR US/CAN/ARL/ASA/BRA		
2	UG3290001	1	TELEPHONE LINE CORD, FOR NZ/HK		
3	LE7699001	1	FERRITE CORE ASSY, FAX1800C, MFC3100C FOR ARL/NZ/HK/ASA, MFC3200C		
3	LE3602001	1	FERRITE CORE ASSY (INCL. 2 PCS), MFC3100C FOR US/CAN/BRA		
4	LE6396001	1	DOCUMENT SET TRAY ASSY, GRAY(1495), MFC3100C		
4	UU2080008	1	DOCUMENT SET TRAY ASSY, CLEAR PURPLE(6342), FAX1800C		
4	LE6396002	1	DOCUMENT SET TRAY ASSY, PURPLE(6255), MFC3200C		
5	LE6398001	1	PAPER EJECT TRAY ASSY, GRAY(1495), MFC3100C		
5	UU2069008	1	PAPER EJECT TRAY ASSY, CLEAR PURPLE(6342), FAX1800C		
5	LE6398002	1	PAPER EJECT TRAY ASSY, PURPLE(6255), MFC3200C		
6	LE3305001	1	DOCUMENT EJECTION WIRE		
7	LE6808001	1	SP ATTACHMENT BAG ASSY, GRAY(1495), MFC3100C		
7	LE6808002	1	SP ATTACHMENT BAG ASSY, PURPLE(6255), FAX1800C, MFC3200C		
8	LE6622001	1	CD-ROM ASSY, MFC3100C FOR US/CAN/BRA		
8	LE6659001	1	CD-ROM ASSY, MFC3100C FOR ARL/NZ/HK/ASA		
8	LE6889001	1	CD-ROM ASSY, MFC3200C		
9	UU1309001	1	TRAY EXTENSION (W/O PAPER SUPPORT) FOR US/BRA		
9	LE6823001	1	TRAY EXTENSION (W/ PAPER SUPPORT) FOR CAN/ARL/NZ/HK/ASA		
10	LE6681001	1	HANDSET CURL CORD, FAX1800C, MFC3200C		
(11)	LK0504001	1	GLYCEROL CLEANING FLUID (INCLUDING 120CC FLUID IN A BOTTLE AND SYRINGE)		
(12)	LK0505001	1	INITIAL LIQUID CARTRIDGE ASSY(SP) (INCLUDING 4 CARTRIDGES)		
(13)	ZA0310001	1	HEAD CLEANER STICK ASSY(SP)		
(14)	LE6455001	1	FOAM EMPTY CARTRIDGE (FOR INK EMPTY SENSOR COMPENSATION)		
(15)	UF9258001	1	COLOR TEST CHART CTC-001		
(16)	LJ9667001	1	AC CORD ASSY, MFC3100C FOR ARL/NZ (SAA)		CHG
(16)	LG2085001	1	AC CORD ASSY, MFC3100C FOR ASA (VDE)		
(16)	LG2086001	1	AC CORD ASSY, MFC3100C FOR HK/ASA (BS)		
(17)	UG4558001	1	I/F CABLE, MFC3100C FOR ARL/NZ/HK/ASA		
(18)	UG3468000	1	BT-MJ ADAPTER FOR HK		

LIST8(PRINTED MATERIAL)

REF No.	CODE	QTY	DESCRIPTION	RECOMMEND	REMARK
(1)	LE6597001	1	OWNER'S MANUAL ASSY, FAX1800C (INCLUDING OWNER'S MANUAL(REF.No.(1-1), WARRANTY CARD, ACCESSORY ORDER FORM, ADDRESS LABEL, CALL MANAGE SHEET, TRAY EXTENSION(REF.No.7-9))	√	
(1)	LE6183001	1	OWNER'S MANUAL ASSY, MFC3100C FOR US (INCLUDING OWNER'S MANUAL(REF.No.(1-1), WARRANTY CARD, ACCESSORY ORDER FORM, LICENSE GUIDE, TRAY EXTENSION(REF.No.7-9))	√	
(1)	LE6841001	1	OWNER'S MANUAL ASSY, MFC3100C FOR CAN (INCLUDING 2 OWNER'S MANUALS(REF.No.(1-1), WARRANTY CARD, ACCESSORY ORDER FORM, LICENSE GUIDE, TRAY EXTENSION(REF.No.7-9) FRENCH STICKER)	√	
(1)	LE6842006	1	OWNER'S MANUAL ASSY, MFC3100C FOR ARL/ASA (INCLUDING OWNER'S MANUAL(REF.No.(1-1), LICENSE GUIDE, TRAY EXTENSION(REF.No.7-9))	√	
(1)	LE6843027	1	OWNER'S MANUAL ASSY, MFC3100C FOR NZ (INCLUDING OWNER'S MANUAL(REF.No.(1-1), WARRANTY CARD, LICENSE GUIDE, TRAY EXTENSION(REF.No.7-9))	√	
(1)	LE6844040	1	OWNER'S MANUAL ASSY, MFC3100C FOR HK/ASA (INCLUDING OWNER'S MANUAL(REF.No.(1-1), LICENSE GUIDE, QUICK REFERENCE GUIDE, TRAY EXTENSION(REF.No.7-9))	√	
(1)	LE6890001	1	OWNER'S MANUAL ASSY, MFC3200C (INCLUDING OWNER'S MANUAL(REF.No.(1-1), WARRANTY CARD, ACCESSORY ORDER FORM, ADDRESS LABEL, TRAY EXTENSION(REF.No.7-9))	√	
(1-1)	LE6598001	1	OWNER'S MANUAL, FAX1800C		
(1-1)	LE6184001	1	OWNER'S MANUAL, MFC3100C FOR US/CAN <ENGLISH>		
(1-1)	LE6359001	1	OWNER'S MANUAL, MFC3100C FOR CAN <FRENCH>		
(1-1)	LE6663006	1	OWNER'S MANUAL, MFC3100C FOR ARL/NZ/HK/ASA		
(1-1)	LE6891001	1	OWNER'S MANUAL, MFC3200C		
(1-2)	LE6815001	1	QUICK REFERENCE GUIDE, MFC3100C FOR HK/ASA	√	
(1-3)	LE6418001	1	FRENCH STICKER, MFC3100C FOR CAN		

LIST9(PACKING)

REF No.	CODE	QTY	DESCRIPTION	RECOMMEND	REMARK
(1)	LE6601001	1	CARTON, BROTHER, FAX1800C	√	
(1)	LE6188001	1	CARTON, BROTHER, MFC3100C FOR US/BRA	√	
(1)	LE6451001	1	CARTON, BROTHER, MFC3100C FOR CAN	√	
(1)	LE6664001	1	CARTON, BROTHER, MFC3100C FOR ARL/NZ/HK/ASA	√	
(1)	LE6892001	1	CARTON, BROTHER, MFC3200C	√	
(2)	LE6872001	1	POLYSTYRENE FOAM ASSY, FAX1800C, MFC3200C		
(2)	LE6871001	1	POLYSTYRENE FOAM ASSY, MFC3100C		
(3)	LE3605001	1	BAG, 800X900H		
(4)	LE6195001	1	CARTON, FOR OPTION		
(5)	LE6607001	1	START CARD, FAX1800C		
(5)	LE6196001	1	START CARD, MFC3100C FOR US/CAN/BRA <ENGLISH>		
(5)	LE6453001	1	START CARD, MFC3100C FOR CAN <FRENCH>		
(5)	LE6667001	1	START CARD, MFC3100C FOR ARL/NZ/HK/ASA		
(5)	LE6895001	1	START CARD, MFC3200C		
(6)	LE6476001	1	CARRIAGE RETAINER		
(7)	LE8484001	1	XP QUICK SET UP GUIDE-1, MFC3100C FOR US/ARL/NZ/HK/ASA/BRA		
(7)	LE8485001	1	XP QUICK SET UP GUIDE CAN-1, MFC3100C FOR CAN		

brother®

8XA401
PL-FAX013
Ver. S-1