



**FACSIMILE EQUIPMENT
PARTS REFERENCE LIST**

**MODEL: MFC-3900ML / 4000ML
4500ML / 5500ML / 6000**

NOTES FOR USING THIS PARTS REFERENCE LIST

1. In the case of ordering parts, the following items need mentioning :
- (1) Code
 - (2) QTY
 - (3) Description

Note: No orders without Parts Code or Tool No. can be accepted.

[Example]

	(1) CODE	(2) QTY	(3) DESCRIPTION	REMARKS

- 2. The original of this list was made based on information available in Feb and June '95.
- 3. Parts are subject to change in design without previous notice.

COUNTRIES

The following codes are used in this manual to identify countries:

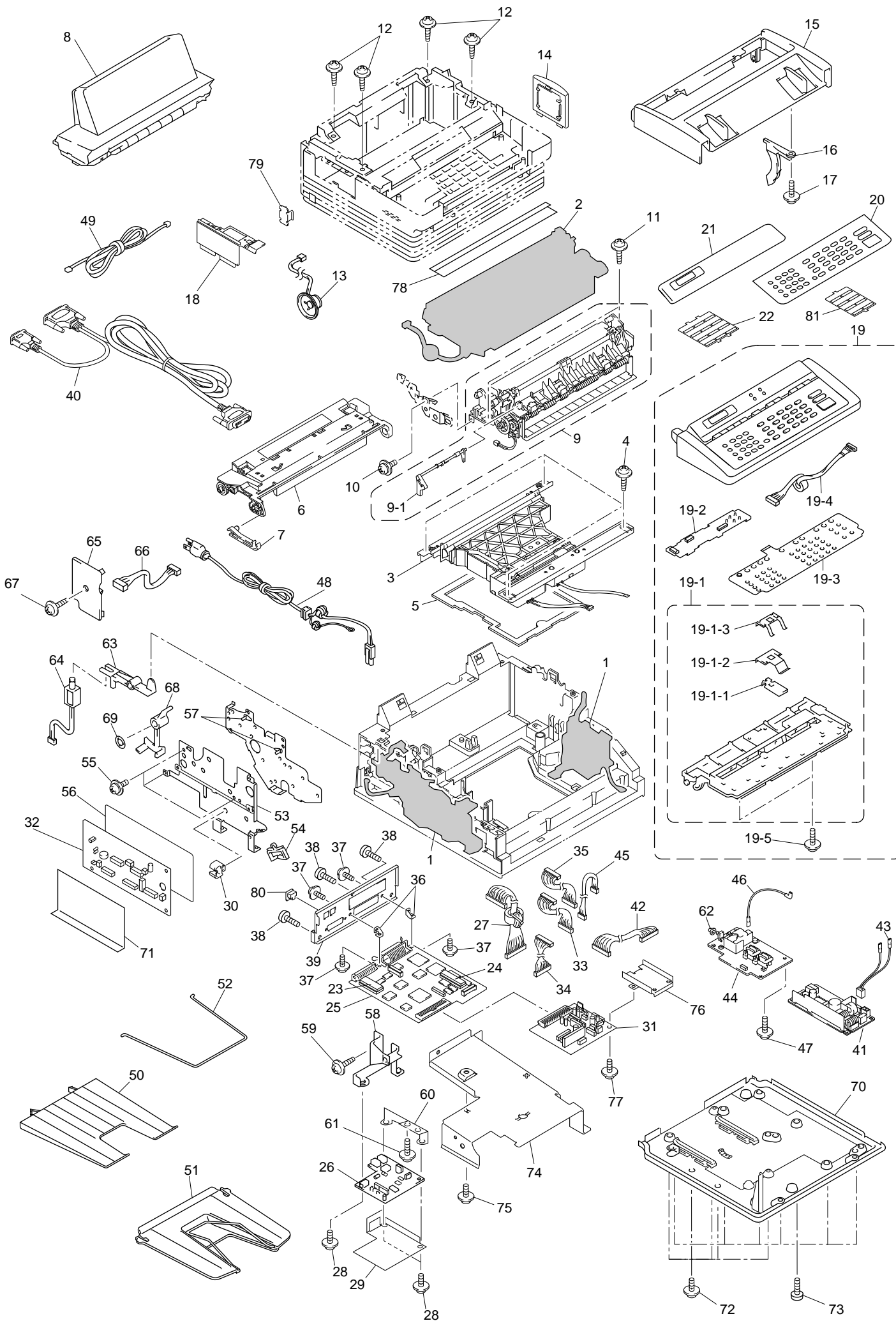
USA = UNITED STATES OF AMERICA
CAN = CANADA
GER = GERMANY
NOR = NORWAY
SWE = SWEDEN

UK = UNITED KINGDOM
BEL = BELGIUM
CHE = SWITZERLAND
NLD = NETHERLANDS

©Copyright Brother 1995

All rights reserved

No part of this publication may be reproduced in any form or by any means without permission from the publisher. Specifications are subject to change without prior notice.



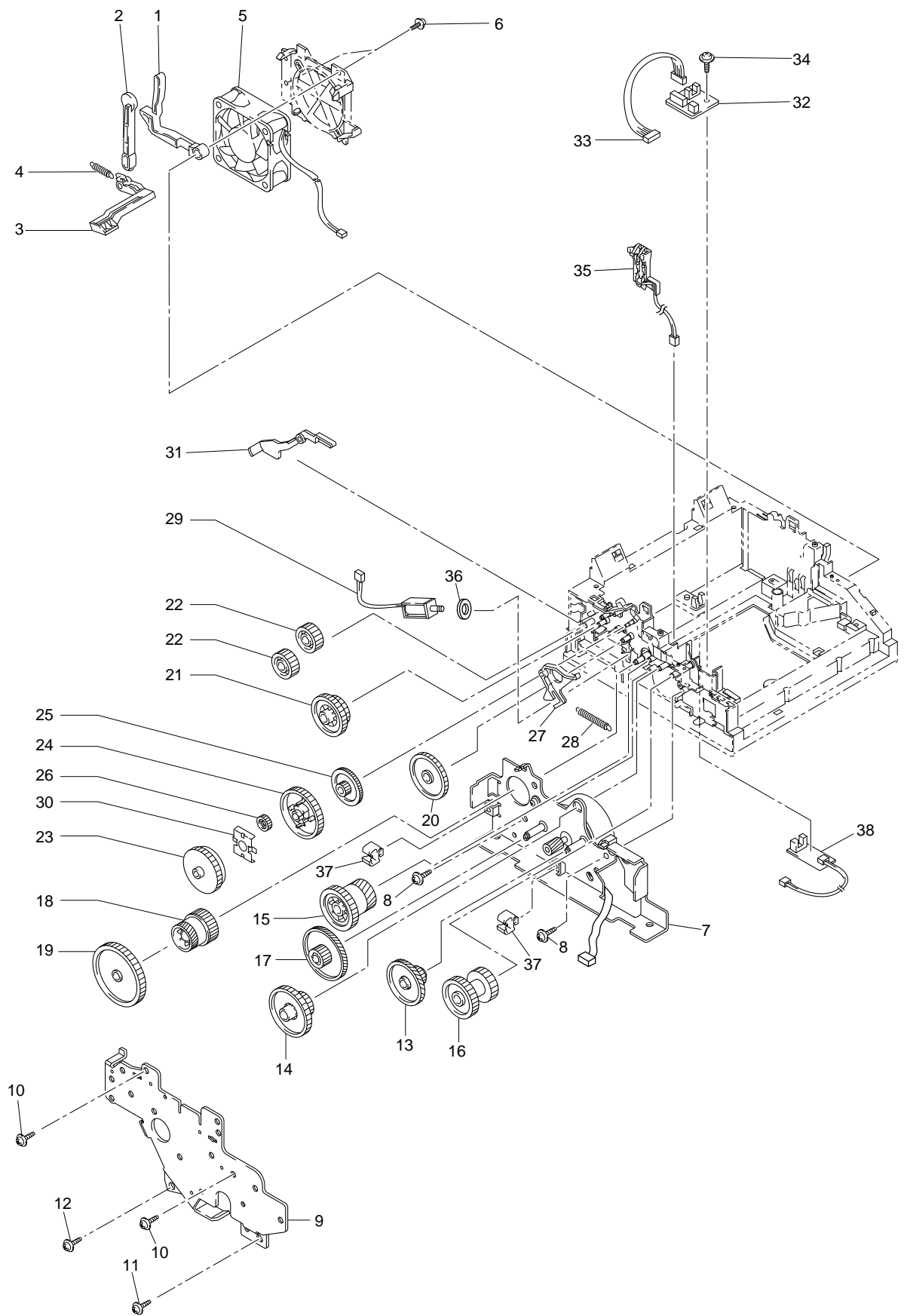
REF.NO.	CODE	QTY	DESCRIPTION	REMARKS
1			1. MAIN FRAME ATTACHMENT	
			* REFER TO PAGE 6	
2			2 SCANNING FRAME	
			* REFER TO PAGE 8	
3	UL5535001	1	SCANNER UNIT	
4	085411015	4	TAPTITE,BIND B M4X10	
5	UL5134001	1	SPONGE	
6	UL5145001	1	UPPER CHUTE COVER ASSY	
7	UL5161000	1	RELEASE LINK	
8	UL6182001	1	MP TRAY MFC ASSY	
9	UL7172001	1	FIXING UNIT, 240VF	
9-1	UL5250001	1	PAPER EJECT ACTUATOR, BLACK	
10	087320616	1	TAPTITE, CUP S M3X6	
11	087411216	2	TAPTITE, CUP B M4X12	
12	087411216	4	TAPTITE, CUP B M4X12	
13	UL8036001	1	SPEAKER UNIT PPF	
14	UL5278004	1	FILTER COVER ASSY, WHITE(1138)	
15	UL5684004	1	OPEN COVER ASSY, WHITE(113B)	
16	UL5688001	1	COVER STOPPER	
17	087311016	1	TAPTITE, CUP B M3X10	
18	UL5852004	1	ROM COVER, WHITE(113B)	
19	UL6450001	1	CONTROL PANEL UNIT	
19-1	UL6094001	1	PANEL REAR COVER ASSY	
19 1-1	UL5719000	1	SEPARATION RUBBER	
19-1-2	UL5720001	1	SPRING, PLATE ADF	
19-1-3	UL5721001	1	SPRING, PLATE F	
19-2	UL8128001	1	PANEL PCB ASSY	
19-3	UL5807001	1	FPC KEY	
19-4	UL8156001	1	PANEL-MAIN HARNESS	
19-5	087310815	2	TAPTITE,CUP B M3XB	
20	UL6337001	1	PANEL SHEET FOR GER	
20	UL6340001	1	PANEL SHEET FOR UK	
20	UL6343001	1	PANEL SHEET FOR NOR	
20	UL6346001	1	PANEL SHEET FOR BEL	
20	UL6348001	1	PANEL SHEET FOR NLD	
20	UL6252001	1	PANEL SHEET FOR CHE	
20	UL6353001	1	PANELSHEETFOR SWE	
21	UL6338001	1	LCD PLATE FOR GER	
21	UL6253001	1	LCD PLATE FOR UK/BEL/CHE	
21	UL6344001	1	LCD PLATE FOR NOR	
21	UL6349001	1	LCO PLATE FOR NLD	
21	UL6354001	1	LCD PLATE FOR SWE	
22	UL6123004	1	ADDRESS LABEL	
23	UL8374003	1	PROM:6000-2M FOR GER	
23	UL8374004	1	PROM:6000-2M FOR UK	
23	UL8376007	1	PROM: 6000-4M FOR NOR	
23	UL8376008	1	PROM:6000-4M FOR BEL	
23	UL8374009	1	PROM: 6000-2M FOR NLD	
23	UL8376010	1	PROM:6000-4M FOR CHE	
23	UL8376026	1	PROM:6000-4M FOR SWE	
24	UL8396001	1	MASK ROM:MFC/PR-B	
25	UL8406001	1	MAIN PCB SUB ASSY, 7 FOR CHE	
25	UL8415001	1	MAIN PCB SUB ASSY, 8 FOR GER/UK/NLD	
25	UL8416001	1	MAIN PCB SUB ASSY, 9 FOR NOR/BEL/SWE	
26	UL8397001	1	NCU PCB ASSY FOR GER	
26	UL8398001	1	NCU PCB ASSY FOR UK	
26	UL8399001	1	NCU PCB ASSY FOR NOR/SWE	
26	UL8400001	1	NCU PCB ASSY FOR BEL/NLD	
26	UL8401001	1	NCU PCB ASSY FOR CHE	

REF.NO.	CODE	QTY	DESCRIPTION	REMARKS
27	UL8393001	1	NUC-DRIVER HARNESS	
28	087320616	3	TAPTITE, CUP S M3X6	
29	UL6131001	1	INSULATION SHEET, NCU	
30	UF0245000	1	MINI CLAMP	
31	UL8402001	1	DRIVER PCB ASSY	
32	UL8403001	1	RELAY PCB ASSY	
33	UL8319001	1	RELAY HARNESS SA	
34	UL8321001	1	RELAY HARNESS PS	
35	UL8320001	1	RELAY HARNESS SB	
36	UL5091000	2	PCB ANGLE	
37	087320616	4	TAPTITE, CUP S M3X6	
38	000400606	3	SCREW, PAN BIND M4X6	
39	UL6116001	1	I/F SHIELD ASSY	
39	UL6396001	1	I/F SHIELD ASSY EXT FOR GER/UK/BEL/NLD/SWE	
(39-1)	UL6268000	1	MJ SPACER, EXT FOR GER/UK/BEUNLD/SWE	
(39-2)	UF0177002	1	MJ COVER, EXT FOR GER/UK/BEL/NLD/SWE	
40	UL8265001	1	SERIAL I/F CABLE	
41	UL5540001	1	PS PCB ASSY, 230V WITHOUT FOR UK	
41	UL8186001	1	PS PCB ASSY, 240V FOR UK	
42	UK2212001	1	LV HARNESS PASSY	
43	UL8074001	1	HEATER HARNESS ASSY	
44	UL5541001	1	HIGH-VOLTAGE PS ASSY (SP)	
45	UK2208001	1	HV HARNESS P ASSY	
46	UL8077001	1	GHG HARNESS ASSY	
47	085411015	1	TAPTITE, BIND B M4X10	
48	UK2114001	1	AC CORD ASSY FOR GER/NOR/BEL/NLD/SWE	
48	UK2118001	1	AC CORD ASSY FOR UK	
48	UK2116001	1	AC CORD ASSY FOR CHE	
49	UL8230001	1	TELEPHONE LINE CORD FOR GER	
49	UL8211001	1	TELEPHONE LINE CORD FOR UK	
49	UL8384001	1	TELEPHONE LINE CORD FOR NOR	
49	UL8219001	1	TELEPHONE LINE CORD FOR BEL	
49	UL8231001	1	TELEPHONE LINE CORD FOR NLD	
49	UL8218001	1	TELEPHONE LINE CORD FORSWE	
50	UL5702001	1	RECORDING PAPER EJECTION TRAY, SMOKE GRAY(1333)	
51	UL5701001	1	DOCUMENT EJECTION TRAY ASSY	
52	UL5214000	1	TRAY EXTENSION	
53	UL6113001	1	PCB SUPPORTASSY	
54	UL5613000	1	WIRE SADDLE	
55	087320616	3	TAPTITE, CUP S M3X6	
56	UL6117001	1	INSULATION SHEET, M1	
57	UL5603000	2	CARD SPACER	
58	UL6111000	1	PCB SUPPORT, N3	
59	087411015	1	TAPTITE, CUP B M4X10	
60	UL5605000	1	PCB SUPPORT, N2	
61	087411015	1	TAPTITE,CUPBM4X10	
62	UL5086003	1	CONCENTRATION DIAL, GRAY(1252)	
63	UL5088000	1	SOLENOID LEVER	
64	UL5090001	1	SOLENOID P ASSY	
65	UL8132001	1	PE SENSOR PCB ASSY	
66	UL8215001	1	PE SENSOR HARNESS	
67	087310815	1	TAPTITE, CUP B M3X8	
68	UL5607001	1	PE SENSOR LEVER	
69	UF0250000	1	NUT M3	
70	UL6108001	1	LOWER PLATE ASSY	
71	UL5612001	1	HARNESS PROTECT SHEET	
72	087320616	8	TAPTITE, CUP S M3X6	
73	085411015	7	TAPTITE, BIND B M4X10	
74	UL6082000	1	I/F SHIELD PLATE	

MODEL MFC6000 5X5-191

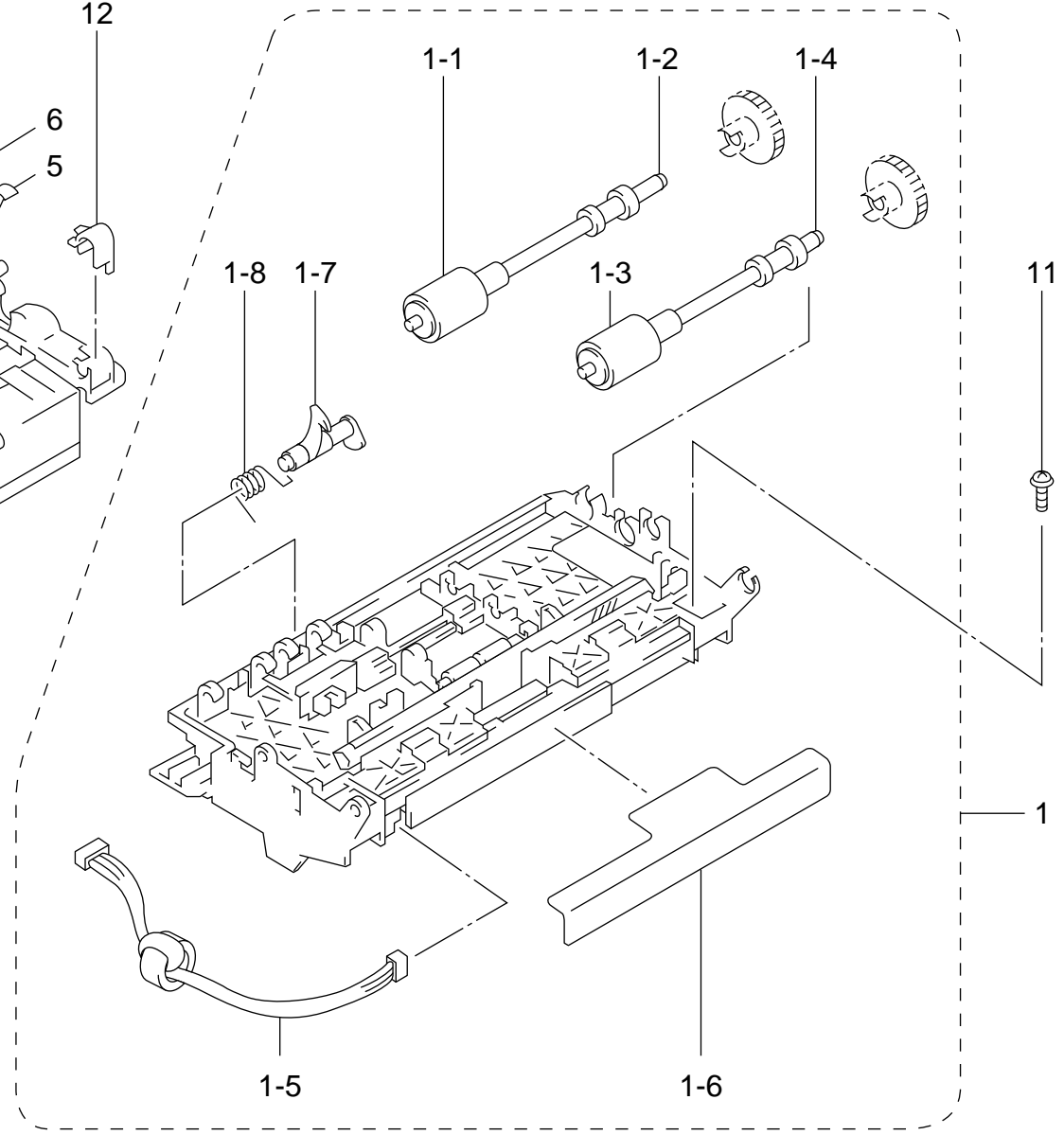
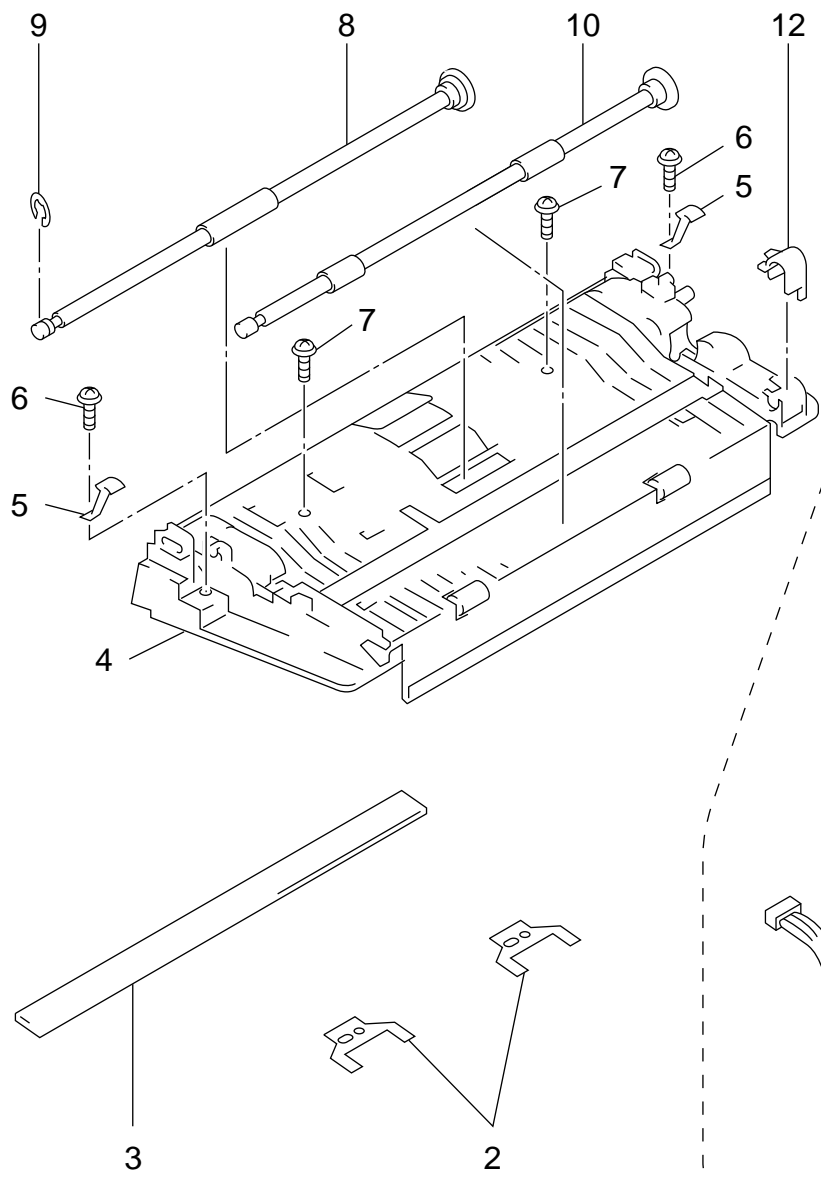
REF.NO.	CODE	QTY	DESCRIPTION	REMARKS
75	087411015	1	TAPTITE, CUP B M4X10	
76	UL6112000	1	PCB SUPPORT, D	
77	087310815	1	TAPTITE, CUP B M3X8	
78	UL5695001	1	PAPER PRESSURE SHEET	
79	UL5854001	1	MJ COVER, H/S	
80	UF0405001	1	MJ DUST COVER, EXT	
81	UL6122001	1	PANEL SPACER	
(82)	UL6355001	1	OWNER'S MANUAL ASSY FOR GER (INCLUDE SET UP MANUAL, OPERATION MANUAL & MISSING LINK MANUAL)	
(82)	UL6371001	1	OWNER'S MANUALASSY FOR UK (INCLUDE SET UP MANUAL, OPERATION MANUAL, MISSING LINK MANUAL & CAUTION LABEL)	
(82)	UL6373001	1	OWNER'S MANUAL ASSY FOR NOR (INC. SET UP MAN., OPERATION MANUAL & MISSING LINK MAN.)	
(82)	UL6375001	1	OWNER'S MANUALASSY FOR BEL (INCLUDE SET UP MAN.-1, SET UP MAN.-2, OPERATION MAN.-1, OP. MAN.-2, MISSING LINK MANUAL-1 & MISSING LINK MANUAL-2)	
(82)	UL6377001	1	OWNER'S MANUAL ASSY FOR NLD (INC. SET UP MANUAL, OPERATION MAN. & MISSING LINK MAN.)	
(82)	UL6379001	1	OWNER'S MANUAL ASSY FOR CHE (INC. SET UP MAN.-1, SET UP MAN.-2, OPERATION MAN.-1, OP. MAN.-2, MISSING LINK MAN.-1 & MISSING LINK MAN.-2)	
(82)	UL6381001	1	OWNER'S MANUAL ASSY FOR SWE (INC. SET UP MAN., OP. MAN. & MISSING LINK MANUAL)	
(83)	UL6356001	1	FLOPPY DISK CASE ASSY FOR GER	
(83)	UL6372001	1	FLOPPY DISK CASE ASSY FOR UK	
(83)	UL6374001	1	FLOPPY DISK CASE ASSY FOR NOR/SWE	
(83)	UL6376001	1	FLOPPY DISK CASE ASSY FOR BEL	
(83)	UL6378001	1	FLOPPY DISK CASE ASSY FOR NLD	
(83)	UL6380001	1	FLOPPY DISK CASE ASSY FOR CHE	
(B4)	UL5738001	1	R-PAPER SETTING LABEL	
(85)	UL5277001	1	SET LABEL	
(86)	UH0741001	1	CLASS 1 LABEL	
(87)	UE2044001	1	CARTON, BROTHER X5-191	
(88)	UE0288001	1	SF ASSY X5-10	
(89)	UF0443001	1	PROTECTION PAPER	
(90)	UE0299000	1	CARTON FOR ACCESSORY	

MODEL MFC6000 5X5-191

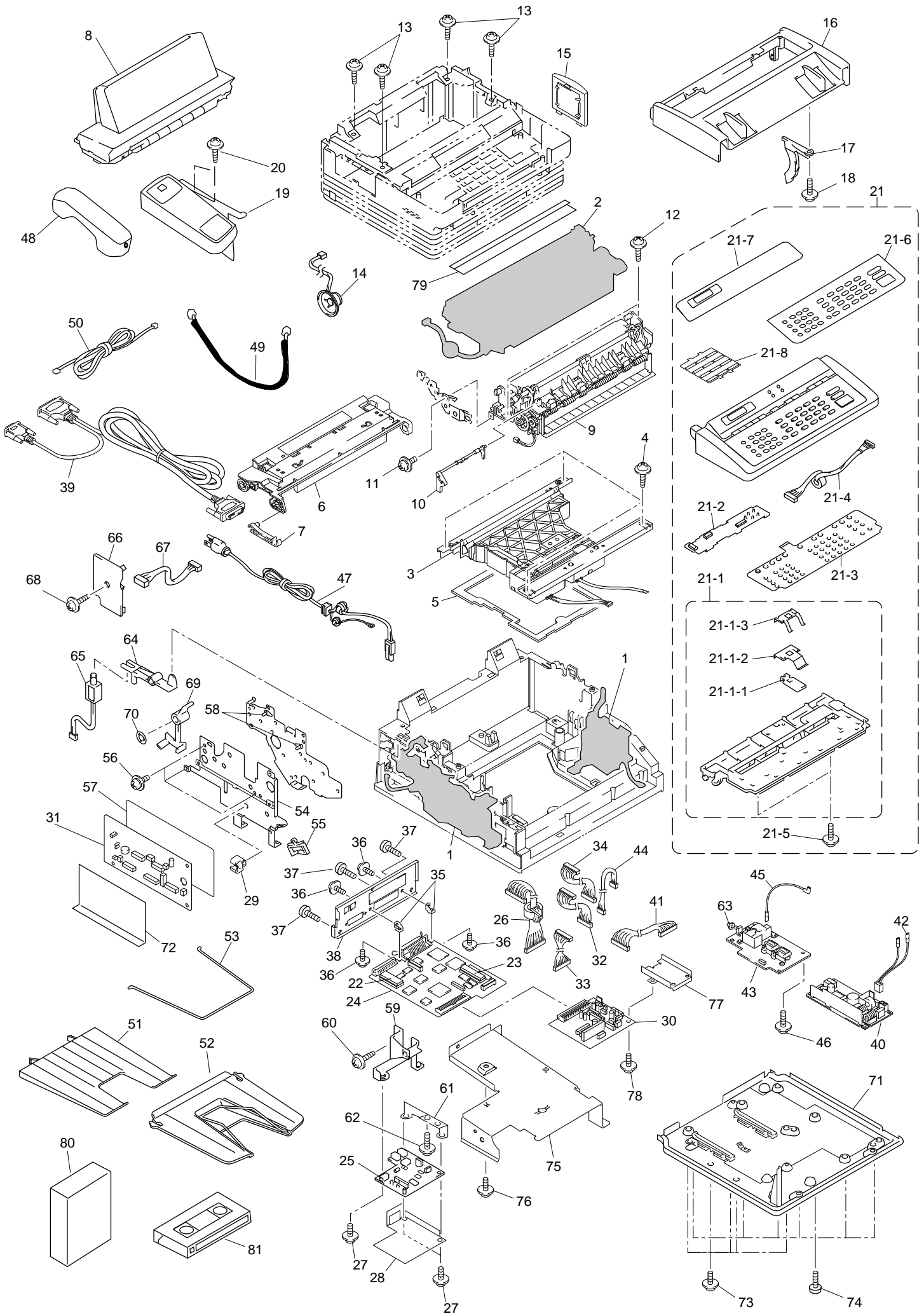


REF.NO.	CODE	QTY	DESCRIPTION (1. MAIN FRAME ATTACHMENT)	REMARKS
1	UL5009000	1	INTERLOCK LEVER, CV	
2	UL5011000	1	INTERLOCK LEVER. PENDULUM	
3	UL5012000	1	INTERLOCK LEVER, S	
4	UL5013001	1	SPRING, EXTENSION	
5	UL5774001	1	FAN MOTOR B37	
6	087310815	2	TAPTITE, CUP B M 3X8	
7	UL5019001	1	MAIN MOTOR UNIT	
8	087310815	2	TAPTITE,CUP B M3X8	
9	UL5025000	1	GEAR SHAFT PUATE	
10	087310815	2	TAPTITE,CUP B M3X8	
11	OA5300605	1	SCREW, PAN (WASHER) M 3X6DB	
12	087320616	1	TAPTITE,CUPSM3X6	
13	UL5027000	1	GEAR, 23/66	
14	UL5028000	1	GEAR, 22/63	
15	UL5029000	1	GEAR, 25/40	
16	UL5030000	1	GEAR, 23/37	
17	UL5031000	1	GEAR, 17/78	
18	UL5032000	1	GEAR, 29/38	
19	UL5033000	1	IDLE GEAR, 59	
20	UL5034000	1	GEAR 20/43	
21	UL5035000	1	GEAR, 27/38	
22	UL5036000	2	IDLE GEAR, 24	
23	UL5037000	1	GEAR, 42/60	
24	UL5038000	1	CLUTCH GEAR, 47	
25	UL5039000	1	GEAR, 18	
26	UL5040000	1	CLUTCH GEAR, 21	
27	UL5041000	1	CLUTCH LEVER	
28	UF3056001	1	SPRING, EXTENSION	
29	UL5043001	1	SOLENOID CASSY	
30	UL5050001	1	SPRING, FRICTION	
31	UL5087001	1	REGIST SENSOR LEVER	
32	UK2151001	1	PAPER EJECT SENSO RPCB ASSY	
33	UK2211001	1	PAPER EJECT SENSOR HARNESS ASSY	
34	087310815	1	TAPTITE,CUP B M3X8	
35	UL5015001	1	ERASE LAMP FEEDER HOLDER ASSY	
36	UL5084000	1	RUBBERWASHER 12	
37	UF0245000	2	MINI CLAMP	

MODEL MFC-3900MU4000MU4500MUS50 ML SXS-180



REF.NO.	CODE	QTY	DESCRIPTION (1. SCANNING FRAME)	REMARKS
1	UL5820001	1	SCANNING FRAME UNIT, 3	
1-1	UF4366001	1	SEPARATION ROLLER	
1-2	UL5653001	1	ROLLER SHAFT ASSY	
1-3	UF4366001	1	SEPARATION ROLLER	
1-4	UL5654001	1	ROLLER SHAFT ASSY	
1-5	UL8134001	1	MAIN-CCD HARNESS	
1-6	UL5651001	1	SHELTERED SHEET ASSY	
1-7	UL5624001	1	ACTUATOR, F	
1-8	UL5661001	1	SPRING, TORSION	
2	UL5642001	2	EJECTION SPRING	
3	UL5804001	1	COVER GLASS	
4	UL5645004	1	ADF COVER, WHITE(1138)	
5	UL5646001	2	PANEL OPEN SPRING	
6	087311016	2	TAPTITE, CUP 8 M3X10	
7	087311016	2	TAPTITE,CUPB M3X10	
8	UL5822001	1	LF ROLLER	
9	048040345	1	RETAINING RING, E4	
10	UL5823001	1	EJECTION ROLLER	
11	087311016	2	TAPTITE,CUP B M3X10	
12	UL5657004	1	FUNCTION COVER, WHITE(1138)	



REF.NO.	CODE	QTY	DESCRIPTION	REMARKS
			1. MAIN FRAME ATTACHEMENT	
			*REFER TO PAGE 6	
			2. SCANNING FRAME	
			*REFER TO PAGE 8	
3	UL5535001	1	SCANNER UNIT	
4	085411015	4	TAPTITE, BIND B M4X10	
5	UL5134001	1	SPONGE	
6	UL5145001	1	UPPER SHOOT COVER ASSY	
7	UL5161000	1	RELEASE LINK	
8	UL6182001	1	MP TRAY MFC ASSY	
9	UL5801001	1	FIXING UNIT, 120V	
10	UL5250001	1	PAPER EJECT ACTUATOR, BLACK	
11	087320616	1	TAPTITE, CUP B M3X6	
12	087411216	2	TAPTITE, CUP B M4X12	
13	087411216	4	TAPTITE, CUP B M4X12	
14	UL8036001	1	SPEAKER UNIT PPF	
15	UL5278004	1	FILTER COVER ASSY, WHITE(1138)	
16	UL5684004	1	OPEN COVER ASSY, WHITE(1138)	
17	UL5688001	1	COVER STOPPER	
18	087311016	1	TAPTITE,CUP B M3X10	
19	UL5821004	1	HANDSET MOUNT, WHITE(1138)	
20	087311016	2	TAPTITE,CUP B M3X10	
21	UL6089001	1	CONTROL PANEL ASSY, WHITE(1138) FOR MFC3900ML	
21	UL6199001	1	CONTROL PANEL ASSY, WHITE(1138) FOR MFC4000ML	
21	UL6181001	1	CONTROL PANEL ASSY, WHITE(1138) FOR MFC4500ML	
21	UL6183001	1	CONTROL PANEL ASSY, WHITE(1138) FOR MFC5500ML	
21-1	UL6094001	1	PANEL REAR COVER ASSY	
21-1-1	UL5719000	1	SEPARATION RUBBER	
21-1-2	UL5720001	1	SPRING, PLATE ADF	
21-1-3	UL5721001	1	SPRING, PLATE F	
21-2	UL8128001	1	PANEL PCB ASSY	
21-3	UL5807001	1	FPC KEY	
21-4	UL8003001	1	PANEL, MAIN HARNESS	
21-5	087310815	2	TAPTITE,CUP B M3X8	
21-6	UL6120001	1	PANEL SHEET FOR MFC3900M/4000M/4500ML	
21-6	UL6159001	1	PANEL SHEET FOR MFC5500ML	
21-7	UL6088001	1	MFC SHEET FOR MFC3900ML	
21-7	UL6187001	1	MFC SHEET FOR MFC4000ML	
21-7	UL6119001	1	MFC SHEET FOR MFC500ML	
21-7	UL6142001	1	MFC SHEET FOR MFC5500ML	
21-8	UL6123004	1	ADDRESS LABEL	
22	UL8221001	1	PROM: MFC/FX	
23	UL8271001	1	PROM: MFC/PR	
24	UL8357001	1	MAIN PCB SUB ASSY, 4 FOR MFC3900ML	
24	UL8323001	1	MAIN PCB SUB ASSY, 3 FOR MFC4000ML	
24	UL8366001	1	MAIN PCB SUB ASSY, 1 FOR MFC4500ML	
24	UL8368001	1	MAIN PCB SUB ASSY, 2 FOR MFC5500ML	
25	UL8309001	1	NCU PCB ASSY	
26	UL8277001	1	NCU-DRIVER HARNESS	
27	087320616	3	TAPTITE,CUP S M3X6	
28	UL6131001	1	INSULATOR, NCU	
29	UF0245000	1	MINI CLAMP	
30	UL83 10001	1	DRIVER PCB ASSY	
31	ULB311001	1	RELAY PC8 ASSY	
32	UL8319001	1	RELAY-DRIVER HARNESS SA	
33	UL8321001	1	RELAY-DRIVER HARNESS PS	
34	UL8320001	1	RELAY-DRIVER HARNESS SB	
35	UL5091000	2	PCB ANGLE	

MODEL MFC-3900M/4000M/4500M/5500ML 5X5

REF.NO.	CODE	QTY	DESCRIPTION	REMARKS
36	087320616	4	TAPTITE, CUP S M3X6	
37	000400606	3	SCREW, PAN BIND M4X6	
38	UL6192001	1	I/F SHIELD ASSY FOR MFC3900M/4000ML	
38	UL6116001	1	1/FSHIELD ASSY FOR MFC4500M/5500ML	
(38-1)	UL5081001	1	BLIND PLATE (OPTION)	
(38-2)	087320616	1	TAPTITE, CUP S M3X6 (FOR BLIND PLATE)	
39	UL8265001	1	SERIAL I/F CA8LE FOR MFC4500M/5500ML	
40	UL5539001	1	PS PCB ASSY, 115V	
41	UK2212001	1	LV HARNESS P ASSY	
42	UL8074001	1	HEATER HARNESS ASSY	
43	UL5541001	1	HIGH-VOLTAGE PS ASSY	
44	UK2208001	1	HV HARNESS P ASSY	
45	UL8077001	1	GHG HARNESS ASSY	
46	085411015	1	TAPTITE, BIND B M4X10	
47	UL807800 1	1	AC CORD ASSY, US-X	
48	UF3379003	1	HANDSET, WHITE(1138)	
49	UL8019009	1	HANDSET CURLED CORD, WHITE(1255)	
50	UG1570001	1	TELEPHONE LINE CORD	
50	U88406001	1	TELEPHONE LINE CORD FOR CAN	
51	UL5702001	1	RECORDING PAPER EJECTION TRAY, SMOKE GRAY(1333)	
52	UL5701001	1	DOCUMENT EJECTION TRAY ASSY	
53	UL5214000	1	TRAY EXTENSION	
54	UL6113001	1	PCB SUPPORT ASSY	
55	UL5613000	1	WIRE SADDLE	
56	087320616	3	TAPTITE,CUPSM3X6	
57	UL6117001	1	INSULATION SHEET, M1	
58	UL5603000	2	CARD SPACER	
59	UL6111000	1	PCB SUPPORT,N3	
60	087411015	1	TAPTITE,CUP B M4X10	
61	UL5605000	1	PCB SUPPORT, N2	
62	087411015	1	TAPTITE,CUP B M4X10	
63	UL5086003	1	CONCENTRATION DIAL.GRAY(1252)	
64	UL5088000	1	SOLENOID LEVER	
65	UL5090001	1	SOLENOID P ASSY	
66	UL8132001	1	PE SENSOR PCB ASSY	
67	UL8215001	1	PE SENSOR HARNESS	
68	087310815	1	TAPTITE,CUP B M3X8	
69	UL5607001	1	PE SENSOR LEVER	
70	UF0250000	1	NUT M3	
71	UL6108001	1	LOWER PLATE ASSY	
72	UL5612001	1	HARNESS PROTECT SHEET	
73	087320616	5	TAPTITE,CUPSM3X6	
74	085411015	7	TAPTITE, BIND B M4X10	
75	UL6082000	1	I/F SHIELD PLATE	
76	087411015	2	TAPTITE,CUP B M4X10	
77	UL6112000	1	PCB SUPPORT, D	
78	087310815	1	TAPTITE,CUP B M3X8	
79	UL5695001	1	PAPER PRESSURE FILM	
80	UL6090001	1	MANUAL HOLDER FOR MFC3900M/4000ML	
80	UL6164001	1	MANUAL HOLDER FOR MFC4500M/5500ML	

MODEL MFC-3900M/4000M/4500M/5500ML

SXS-180

REF.NO.	CODE	QTY	DESCRIPTION	REMARKS
81	UL6186001	1	VIDEO TAPE	
(82)	UL6081001	1	FLOPPY DISK CASE ASSY FOR MFC3900M/4000ML (INCLUDE DRIVER FLOPPY DISK 1, SET UP MANUAL.ENGLISH & REMOTE CONTROL GUIDE, ENGLISH)	
(82)	UL6074001	1	FLOPPY DISK CASE ASSY FOR MFC4500M/5500ML (INCLUDE DRIVER FLOPPY DISK 1, FLOPPY DISK(X4), SET UP MANUAL, ENGLISH & REMOTE CONTROL GUIDE,ENGLISH)	
(83)	UL6091001	1	FCC-CDRH LABEL FOR MFC3900M/4000ML	
(83)	UL6129001	1	FCC-CDRH LABELFOR MFC4500M/5500ML	
(84)	UF4687001	1	ISC-RN LABEL FOR CAN	
(85)	UL5738001	1	R-PAPER SETTING LABEL	
(86)	UL5277001	1	SET LABEL	
(87)	UH0741001	1	CLASS 1 LABEL FOR CAN	
(88)	UL616B001	1	SETUP MANUAL, FRENCH FOR CAN	
(89)	UL6148001	1	OPERATION MANUAL FOR FAX, PRINTER & COPIER, ENGLISH	
(89)	UL6177001	1	OPERATION MAN. FOR FAX, PRINTER & COPIER,FRENCH FORCAN	
(90)	UL6176001	1	OP. MAN. FOR SCANNER & FAX MODEM, ENGLISH,4500ML/5500ML	
(90)	UL6179001	1	OP. MAN.FOR SCAN. & FAX MODEM,FRENCH FOR CAN,4500ML/5500ML	
(91)	UF4644001	1	WARRANTY CARD	
(91)	U88457001	1	WARRANTY CARD, ENGLISH FOR CAN	
(91)	U88458001	1	WARRANTY CARD, FRENCH FOR CAN	
(92)	UF3423001	1	TEST PATTERN SHEET	
(92)	UF4628001	1	TEST PATTERN SHEET FOR CAN	
(93)	UL6169001	1	QUICK REFERENCE GUIDE, ENGLISH	
(93)	UL6170001	1	QUICK REFERENCE GUIDE, FRENCH FOR CAN	
(94)	UL5839001	1	REMOTE CONTROL GUIDE, FRENCH FOR CAN	
(95)	UE2037001	1	CARTON, BROTHER, 3900ML	
(95)	UE2030001	1	CARTON, BROTHER, 4000ML	
(95)	UE2006001	1	CARTON, BROTHER, 4500ML	
(95)	UE2007001	1	CARTON, BROTHER, 4500ML FOR CAN	
(95)	UE2010001	1	CARTON, BROTHER, 5500ML	
(95)	UE2011001	1	CARTON, BROTHER,5500MLFOR CAN	
(96)	UE0288001	1	SF ASSY X5-10	
(97)	UF0443001	1	PROTECTION PAPER	

MODEL MFC-3900ML/4000ML/4500ML/5500ML SX

CODE	REF.NO.	Page
	-1	2
	-2	2
UE0288001	- (88)	4
UE0299000	- (90)	4
UE2044001	- (87)	4
UF0177002	- (39-2)	3
UF0245000	- 30	3
	1 - 37	6
U F0250000	- 69	3
UF0405001	- 80	4
UF0443001	- (89)	4
UF3056001	1 - 28	6
UF4366001	2 - 1-1	8
	2 - 1-3	8
UH0741001	- (86)	4
UK2114001	- 48	3
UK2116001	-48	3
UK2118001	- 48	3
UK2151001	1 - 32	6
UK2208001	- 45	3
UK2211001	1 - 33	6
UK2212001	- 42	3
UL5009000	1 - 1	6
UL5011000	1 - 2	6
UL5012000	1 - 3	6
UL5013001	1 - 4	6
UL5015001	1 - 35	6
UL5019001	1 - 7	6
UL5025000	1 - 9	6
UL5027000	1 - 13	6
UL5028000	1 - 14	6
UL5029000	1 - 15	6
UL5030000	1 - 16	6
UL5031000	1 - 17	6
UL5032000	1 - 18	6
UL5033000	1 - 19	6
UL5034000	1 - 20	6
UL5035000	1 - 21	6
UL5036000	1 - 22	6
UL5037000	1 - 23	6
UL5038000	1 - 24	6
UL5039000	1 - 25	6
UL5040000	1 - 26	6
UL5041000	1 - 27	6
UL5043001	1 - 29	6
UL5050001	1 - 30	6
UL5084000	1 - 36	6
UL5086003	- 62	3
UL5087001	1 - 31	6
UL5088000	- 63	3
UL5090001	- 64	3
UL5091000	- 36	3
UL5134001	- 5	2
UL5145001	- 6	2
UL5161000	- 7	2
UL5214000	- 52	3
UL5250001	- 91	2
UL5277001	- (85)	4
UL5278004	- 14	2
UL5535001	- 3	2
UL5540001	- 41	3
UL5541001	- 44	3
UL5603000	- 57	3

CODE	REF.NO.	Page
U L5605000	- 60	3
UL5607001	- 68	3
UL5612001	- 71	3
UL5613000	- 54	3
UL5624001	2 - 1-7	8
U L5642001	2 - 2	8
U L5645004	2 - 4	8
U L5646001	2 - 5	8
UL5651001	2 - 1-6	8
U L5653001	2 - 1-2	8
U L5654001	2 - 1-4	8
U L5657004	2 - 12	8
U L5661001	2 - 1-8	8
UL5684004	- 15	2
U L5688001	- 16	2
UL5695001	- 78	4
UL5701001	- 51	3
U L5702001	- 50	3
U L5719000	- 19-1-1	2
UL5720001	- 19-1-2	2
UL5721001	- 19-1-3	2
UL5738001	- (84)	4
U L5774001	1 - 5	6
UL5804001	2 - 3	8
U L5807001	- 19-3	2
UL5820001	2 - 1	8
UL5822001	2 - 8	8
UL5823001	2 - 10	8
UL5852004	- 18	2
U L5854001	- 79	4
U L6082000	- 74	3
U L6094001	19 I	2
UL6108001	- 70	3
UL6111000	- 58	3
UL6112000	- 76	4
UL6113001	- 53	3
U L6116001	- 39	3
UL6117001	- 56	3
UL6122001	- 81	4
U L6123004	- 22	2
UL6131001	- 29	3
UL6182001	- 8	2
UL6252001	- 20	2
UL6253001	- 21	2
UL6268000	- (39-1)	3
UL6337001	- 20	2
UL6338001	- 21	2
UL6340001	- 20	2
UL6343001	- 20	2
UL6344001	- 21	2
U L6346001	- 20	2
UL6348001	- 20	2
UL6349001	- 21	2
UL6353001	- 20	2
UL6354001	- 21	2
UL6355001	- (82)	4
UL6356001	- (83)	4
UL6371001	- (82)	4
UL6372001	- (83)	4
UL6373001	- (82)	4
UL6374001	- (83)	4
UL6375001	- (82)	4
UL6376001	- (83)	4

CODE	REF.NO.	Page
UL6377001	-(82)	4
UL6378001	-(83)	4
U L6379001	-(82)	4
U L6380001	-(83)	4
UL6381001	-(82)	4
UL6396001	- 39	3
UL6450001	- 19	2
UL7172001	- 9	2
UL8011001	1 - 38	6
UL8036001	- 13	2
UL8074001	- 43	3
UL8077001	- 46	3
UL8128001	- 19-2	2
UL8132001	- 65	3
UL8134001	2 - 1-5	8
UL8156001	- 19-4	2
UL8186001	- 41	3
UL8211001	- 49	3
UL8215001	- 66	3
UL8218001	- 49	3
UL8219001	- 49	3
UL8230001	- 49	3
UL8231001	- 49	3
UL8265001	- 40	3
UL8319001	- 33	3
UL8320001	- 35	3
UL8321001	- 34	3
UL8374003	- 23	2
UL8374004	- 23	2
UL8374009	- 23	2
UL8376007	- 23	2
UL8376008	- 23	2
UL8376010	- 23	2
UL8376026	- 23	2
UL8384001	- 49	3
UL8393001	- 27	3
UL8396001	- 24	2
UL8397001	- 26	2
UL8398001	- 26	2
UL8399001	- 26	2
UL8400001	- 26	2
UL8401001	- 26	2
UL8402001	- 31	3
UL8403001	- 32	3
UL8406001	- 25	2
UL8415001	- 25	2
UL8416001	- 25	2
0A5300605	1 - 11	6
000400606	- 38	3
048040345	2 - 9	8
085411015	- 4	2
	- 47	3
	- 73	3
087310815	- 19-5	2
	- 67	3
	- 77	4
	1 - 6	6
	1 - 8	6
	1 - 10	6
	1 - 34	6
087311016	- 17	2
	2 - 6	8
	2 - 7	8

CODE	REF.NO.	Page
087311016	2 - 11	8
087320616	- 10	2
	- 28	3
	- 37	3
	- 55	3
	- 72	3
	1 - 12	6
087411015	- 59	3
	- 61	3
	- 75	4
087411216	- 11	2
	- 12	2

CODE	REF.NO.	Page
	-1	2
	- 2	2
OA5300605	1 -11	6
UE0288001	- (96)	4
UE2006001	- (95)	4
UE2007001	- (95)	4
UE2010001	- (95)	4
UE2011001	- (95)	4
UE2030001	- (95)	4
UE2037001	- (95)	4
UF0245000		
	1 -37	6
UF0250000	- 70	3
UF0443001	- (97)	4
UF3056001	1 - 28	6
UF3379003	- 48	3
UF3423001	- (92)	4
UF4366001	2 -1 -1	8
	2 -1-3	8
UF4628001	- (92)	4
UF4644001	- (91)	4
UF4687001	1 - (84)	4
UG1570001	-50	3
UH0741001	- (87)	4
UK2151001	1 -32	6
UK2208001	1 - 44	3
UK2211001	1 - 33	6
UK2212001	-41	3
UL5009000	1 - 1	6
UL5011000	1 - 2	6
UL5012000	1 -3	6
UL5013001	1 - 4	6
UL5015001	1 -35	6
UL5019001	1 - 7	6
UL5025000	1 - 9	6
UL5027000	1 -1 3	6
UL5028000	1 -14	6
UL5029000	1 -1 5	6
UL5030000	1 - 16	6
UL5031000	1 - 17	6
UL5032000	1 - 18	6
UL5033000	1 - 19	6
UL5034000	1 - 20	6
UL5035000	1 - 21	6
UL5036000	1 - 22	6
UL5037000	1 - 23	6
UL5038000	1 - 24	6
UL5039000	1 - 25	6
UL5040000	1 - 26	6
UL5041000	1 -27	6
UL5043001	1 - 29	6
UL5050001	1 - 30	6
UL5081001	- (38-1)	3
UL5084000	1 - 36	6
UL5086003	- 63	3
UL5087001	1 - 31	6
UL5088000	- 64	3
UL5090001	- 65	3
UL5091000	- 35	2
UL5134001	- 5	2
UL5145001	- 6	2
UL5161000	- 7	2
UL5214000	- 53	3

CODE	REF.NO.	Page
UL5250001	-10	2
UL5277001	- (86)	4
UL5278004	- 15	2
UL5535001	- 3	2
UL5539001	- 40	3
UL5541001	- 43	3
UL5603000	- 58	3
UL5605000	- 61	3
UL5607001	- 69	3
UL5612001	-72	3
UL5613000	- 55	3
UL5624001	2 - 1-7	8
UL5642001	2 - 2	8
UL5645004	2 - 4	8
UL5646001	2 - 5	8
ULS651001	2 - 1-6	8
UL5653001	2 - 1-2	8
UL5654001	2 - 1-4	8
UL5657004	2 - 12	8
UL5661001	2 - 1-8	8
UL5684004	- 16	2
UL5688001	- 17	2
UL5695001	- 79	3
UL5701001	- 52	3
UL5702001	- 51	3
UL5719000	- 21-1-1	2
UL5720001	- 21-1-2	2
UL5721001	- 21-1-3	2
UL5738001	- (85)	4
UL5774001	1 - 5	6
UL5801001	9	2
UL5804001	2 - 3	8
UL5807001	- 21-3	2
UL5820001	2 - 1	8
UL5821004	- 19	2
UL5822001	2 - 8	8
UL5823001	2 - 10	8
UL5839001	- (94)	4
UL6074001	- (82)	3
UL6081001	- (82)	3
UL6082000	- 75	3
UL6088001	- 21-7	2
UL6089001	- 21	2
UL6090001	- 80	3
UL6091001	- (83)	3
UL6094001	- 21-1	2
UL6108001	-71	3
UL6111000	- 59	3
UL6112000	- 77	3
UL6113001	- 54	3
UL6116001	-38	3
UL6117001	- 57	3
UL6119001	- 21-7	2
UL6120001	- 21-6	2
UL6123004	- 21-8	2
UL6129001	- (83)	3
UL6131001	-28	2
UL6142001	- 21-7	2
UL6148001	- (89)	4
UL6159001	-21-6	2
UL6168001	- (88)	4
UL6169001	- (93)	4
UL6170001	- (93)	4

CODE	REF.NO.	Page
UL6176001	- (90)	4
UL6177001	- (89)	4
UL6179001	- (90)	4
UL6181001	- 21	2
UL6182001	- 8	2
UL6183001	- 21	2
UL6184001	- 80	3
UL6186001	- 81	3
UL6187001	- 21-7	2
UL6192001	- 38	3
UL6199001	- 21	2
UL8003001	- 21-4	2
UL8019009	- 49	3
UL8036001	- 14	2
UL8074001	- 42	3
UL8077001	- 45	3
UL8078001	- 47	3
UL8128001	-21-2	2
UL8132001	- 66	3
UL8134001	2 - 1-5	8
UL8215001	- 67	3
UL8221001	- 22	2
UL8265001	- 39	3
UL8271001	- 23	2
UL8277001	- 26	2
UL8309001	- 25	2
UL8310001	- 30	2
UL8311001	- 31	2
UL8319001	- 32	2
UL8320001	- 34	2
UL8321001	- 33	2
UL8323001	- 24	2
UL8357001	- 24	2
UL8366001	- 24	2
UL8368001	- 24	2
U88406001	- 50	3
U88457001	- (91)	4
U88458001	- (91)	4
000400606	- 37	3
048040345	2 - 9	8
085411015	- 4	2
	- 46	3
	- 74	3
087310815	-21-5	2
	- 68	3
	- 78	3
	1 - 6	6
	1 - 8	6
	1 - 10	6
	1 - 34	6
087311016	- 18	2
	- 20	2
	2 - 6	8
	2 - 7	8
	2 - 11	2
087320616	- 11	2
	- 27	2
	- 36	3
	- 56	3
	- 73	3
	- (38-2)	3
	1 - 12	6
087411015	- 60	3

CODE	REF.NO.	Page
087411015	- 62	3
	- 76	3
087411216	- 12	2
	- 13	2