



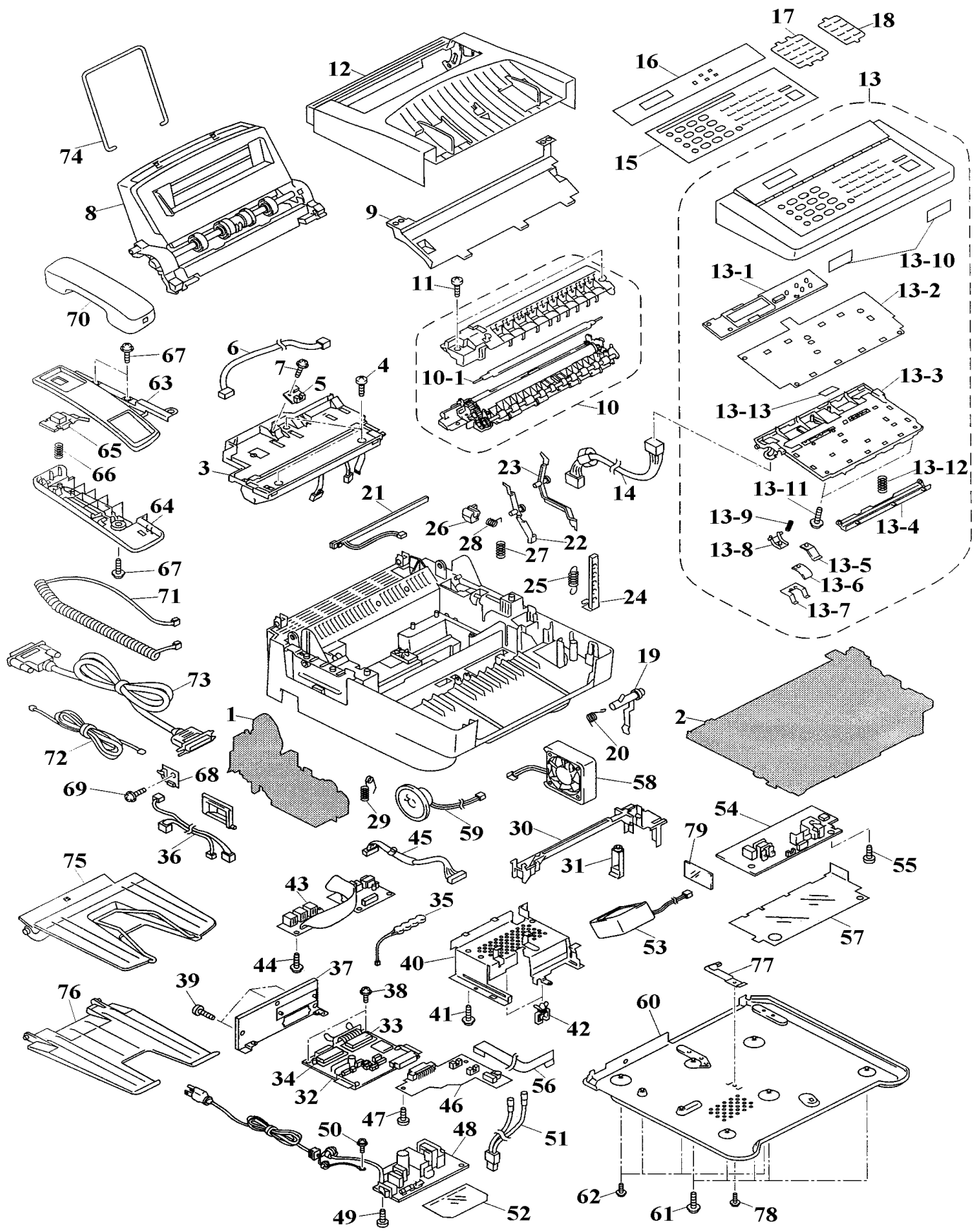
# **FACSIMILE EQUIPMENT PARTS REFERENCE LIST**

**MODEL: FAX3550  
MFC4550/6550MC/7550MC  
(For U.S.A/Canada/S. America)**

*Enable Thumbnails*

*Enable Book Marks*

*Exit Acrobat*



REF.NO.	CODE	QTY	DESCRIPTION	REMARKS
1			1. DRIVE UNIT •™ REFER TO PAGE 7	
2			2. SCANNING FRAME •™ REFER TO PAGE 9	
3	UL6875001	1	SCANNER UNIT	
4	085411215	3	TAPTITE, BIND B M4X12	
5	UG4142001	1	TONER SENSOR PCB ASSY	
6	UG4144001	1	TONER SENSOR HARNESS	
7	087310815	1	TAPTITE, CUP B M3X8	
8	UF7309002	1	MP TRAY ASSY, GRAY(1267) FOR FAX3550	
8	UF7309004	1	MP TRAY ASSY, WHITE(1138) FOR MFC4550/6550MC/7550MC	
9	UF7067001	1	INSULATION COVER, BLACK	
10	UL6877001	1	FIXING UNIT, 120V FOR USA/CAN	
10	UL6878001	1	FIXING UNIT, 240V FOR SOUTH AMERICA	
10-1	UL6879001	1	FU LAMP, 120V FOR USA/CAN	
10-1	UL6880001	1	FU LAMP, 240V FOR SOUTH AMERICA	
11	085411215	1	TAPTITE, BIND B M4X12	
12	UF7069001	1	OPEN COVER ASSY, GRAY(1267) FOR FAX3550	
12	UF7069004	1	OPEN COVER ASSY, WHITE(1138) FOR MFC4550/6550MC/7550MC	
13	UF7322001	1	CONTROL PANEL ASSY FOR FAX3550	
13	UF7326001	1	CONTROL PANEL ASSY FOR MFC4550	
13	UF7306001	1	CONTROL PANEL ASSY FOR MFC6550MC/7550MC	
13-1	UF7325001	1	PANEL PCB ASSY FOR FAX3550	
13-1	UF7325002	1	PANEL PCB ASSY FOR FAX4550	
13-1	UF7325003	1	PANEL PCB ASSY FOR FAX6550MC/7550MC	
13-2	UF7321001	1	FPC KEY ASSY FOR FAX3550 & MFC4550	
13-2	UF7305001	1	FPC KEY ASSY FOR MFC6550MC/7550MC	
13-3	UF7154001	1	PANEL REAR COVER ASSY, GRAY(1267)	
13-4	UF7155001	1	DOCUMENT PRESSURE BAR	
13-5	UF7159001	1	ADF SPRING PLATE	
13-6	UF7158000	1	SEPARATION RUBBER	
13-7	UF7160001	1	SPRING PLATE, ADF FRONT	
13-8	UF7161000	1	DOCUMENT INHALER	
13-9	UF7162001	1	SPRING, COMPRESSION	
13-10	UF7163001	2	ANTI-STATIC FILM	
13-11	087310815	2	TAPTITE, CUP B M3X8	
13-12	UF4404001	1	SPRING, COMPRESSION	
13-13	UF7150001	1	INSULATION SHEET	
14	UG4033001	1	PANEL-MAIN HARNESS	
15	UF7176001	1	PANEL SHEET FOR FAX3550	
15	UF7164001	1	PANEL SHEET FOR MFC4550	
15	UF7168001	1	PANEL SHEET FOR MFC6550MC/7550MC	
16	UF7177001	1	LCD PLATE FOR FAX3550	
16	UF7165001	1	LCD PLATE FOR MFC4550	
16	UF7173001	1	LCD PLATE FOR MFC6550MC	
16	UF7170001	1	LCD PLATE FOR MFC7550MC	
17	UL5771001	1	ADDRESS LABEL FOR FAX3550	
17	UL6123004	1	ADDRESS LABEL FOR MFC4550/6550MC/7550MC	
18	UL6122001	1	PANEL SPACER FOR MFC4550/6550MC/7550MC	
19	UL6936001	1	PAPER EJECT ACTUATOR ASSY, BLACK	
20	UL6931001	1	SPRING, TORSION EX	
21	UL6887001	1	EL PCB ASSY	
22	UF7055001	1	REGISTRATION SENSOR LEVER	
23	UF7056001	1	TC SENSOR LEVER	

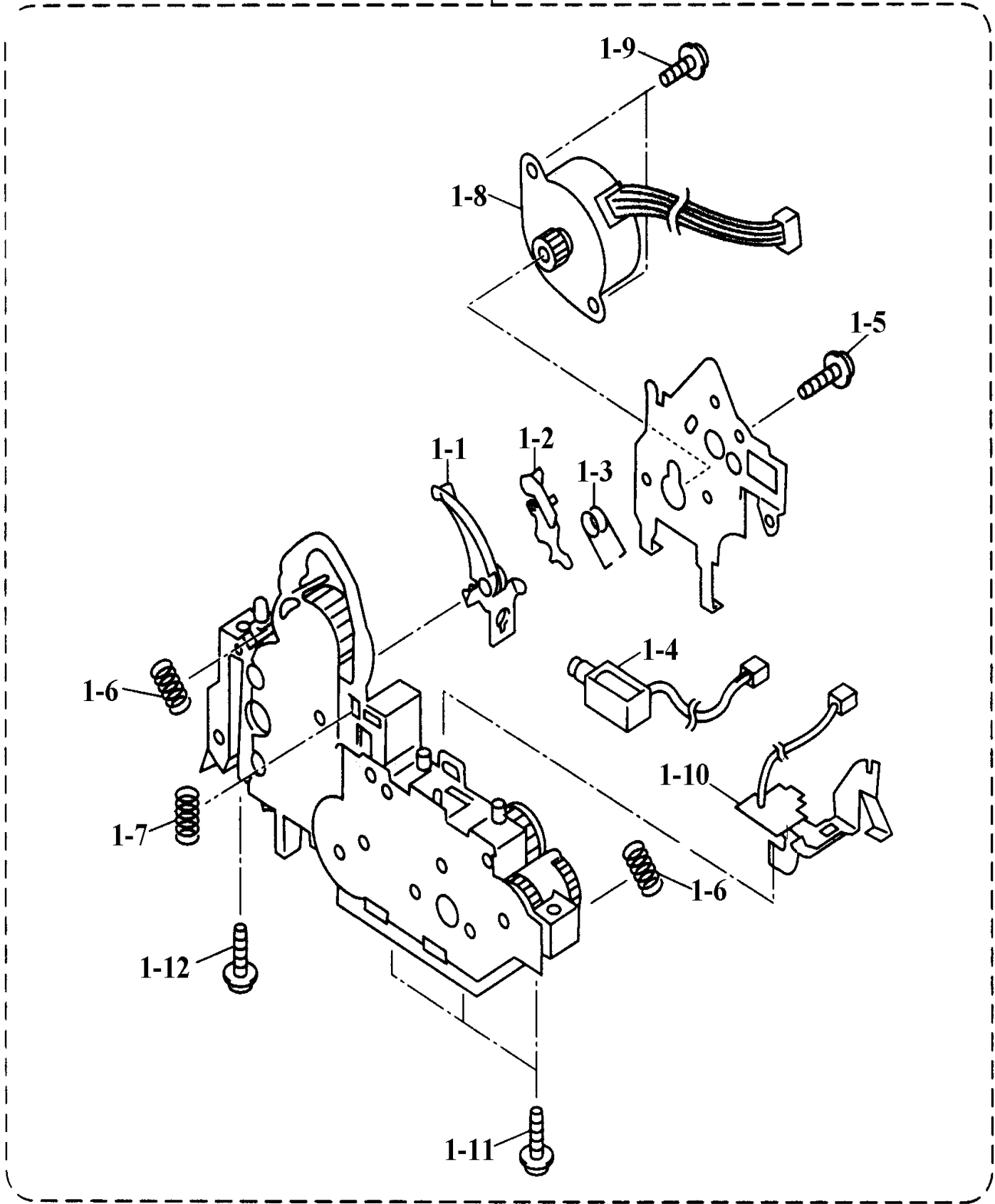
REF.NO.	CODE	Q'TY	DESCRIPTION	REMARKS
24	UF7057000	1	COVER OPEN LEVER	
25	UF7058001	1	SPRING, COIL	
26	UL6721000	1	LOCK LEVER	
27	UL6722001	1	SPRING, COMPRESSION	
28	UL6723001	1	PR LOCK SPRING	
29	UL6730000	1	DRUM GROUND SPRING	
30	UF7054001	1	DOCT COVER, BLACK	
31	UL6853001	1	DENSITY DIAL, GRAY(1252)	
32	UF7324001	1	MAIN PCB ASSY FOR FAX3550	
32	UF7324002	1	MAIN PCB ASSY FOR MFC4550	
32	UF7310001	1	MAIN PCB ASSY FOR MFC6550MC	
32	UF7310002	1	MAIN PCB ASSY FOR MFC7550MC	
33	UG4072001	1	PROM FOR FAX3550	
33	UG4177001	1	PROM-1 FOR MFC6550MC/7550MC	
34	UG4074001	1	PROM FOR MFC4550	
34	UG4179001	1	PROM-2 FOR MFC6550MC/7550MC	
35	UG4090001	1	BATTERY ASSY FOR MFC6550MC/7550MC	
36	UG4086001	1	MAIN HARNESS ASSY (HOOK-MAIN & LVP-MAIN HARNESS)	
37	UF7081000	1	I/F SHIELD ASSY FOR FAX3550	
37	UF7062001	1	I/F SHIELD ASSY FOR MFC4550/6550MC/7550MC	
38	087320616	2	TAPTITE, CUP S M3X6	
39	002300616	3	SCREW, PAN M3X6	
40	UF7059000	1	MAIN SHIELD	
41	087311016	3	TAPTITE, CUP B M3X10	
42	UG4163000	2	CLAMP:LWS-1S	
43	UF7311001	1	NCU PCB ASSY	
44	087311016	1	TAPTITE, CUP B M3X10	
45	UG4034001	1	NCU-MAIN HARNESS	
46	UF7314001	1	RELAY PCB ASSY	
47	085411215	1	TAPTITE, BIND B M4X12	
48	UF7312001	1	PS PCB ASSY, 115V FOR USA/CAN	
48	UK3191001	1	PS PCB ASSY, 230V FOR SOUTH AMERICA	
49	085411215	1	TAPTITE, BIND B M4X12	
50	UF6559001	1	SCREW, PAN (WASHER) M4X8DB	
51	UK3062001	1	HEATER HARNESS ASSY	
52	UF7078001	1	MAIN FILM	
53	UF7090001	1	MAIN FAN MOTER	
54	UK3192001	1	HIGH-VOLTAGE PS PCB ASSY	
55	085411215	1	TAPTITE, BIND B M4X12	
56	UK3059000	1	HV FLAT CABLE	
57	UF7060001	1	INSULATION SHEET	
58	UF7097001	1	SUB FAN MOTOR	
59	UG4036001	1	SPEAKER UNIT	
60	UF7065001	1	BOTTOM PLATE	
61	087411215	5	TAPTITE, CUP B M4X12	
62	087320616	4	TAPTITE, CUP S M3X6	
63	UF7073001	1	UPPER HANDSET COVER, GRAY(1267) FOR FAX3550	
63	UF7073004	1	UPPER HANDSET COVER, WHITE(1138) FOR MFC4550/6550MC/7550MC	
64	UF7074001	1	LOWER HANDSET COVER, GRAY(1267) FOR FAX3550	
64	UF7074004	1	LOWER HANDSET COVER, WHITE(1138) FOR MFC4550/6550MC/7550MC	
65	UF7075001	1	ACTUATOR HOOK	
66	UF7076001	1	SPRING, COMPRESSION	
67	087311016	3	TAPTITE, CUP B M3X10	
68	UF7329001	1	HOOK PCB ASSY	
69	087310616	1	TAPTITE, CUP B M3X6	
70	UF6400001	1	HANDSET, GRAY(1267) FOR FAX3550	

REF.NO.	CODE	Q'TY	DESCRIPTION	REMARKS
70	UF6400003	1	HANDSET, WHITE(1138) FOR MFC4550/6550MC/7550MC	
71	UF7204010	1	HANDSET CURLED CORD, GRAY(1267) FOR FAX3550	
71	UF7204009	1	HANDSET CURLED CORD, WHITE(1255) FOR MFC4550/6550MC/7550MC	
72	UG1570001	1	TELEPHONE LINE CORD FOR USA	
72	U88406001	1	TELEPHONE LINE CORD FOR CAN	
73	UG4166001	1	I/F CABLE:IQ-5257 FOR MFC4550/6550MC/7550MC	
74	UF7201001	1	WIRE EXTENSION	
75	UF7206001	1	DOCUMENT TRAY	
76	UF7209001	1	PAPER TRAY	
77	UF7092001	1	GROUNDING PLATE	
78	087320616	1	TAPTITE, CUP S M3X6	
79	UL6928001	1	FAN MOTOR FILM	
(80)	UL6955001	1	MP TRAY DUST COVER	
(81)	UL6611001	1	SEAL SPONGE A (234X55)	
(82)	UF7085001	1	SEAL SPONGE B (30X40)	
(83)	UF7086001	1	SEAL SPONGE C (42X55)	
(84)	UF7089001	1	SEAL SPONGE D (25X25)	
(85)	UF5077001	1	ISC/ICES LABEL FOR CAN	
(86)	UL6740001	1	LASER CAUTION LABEL	
(87)	UL6741001	1	TONER CAUTION LABEL	
(88)	UL5738003	1	PAPER SET LABEL	
(89)	UL6688001	1	HV CAUTION LABEL	
(90)	UF7242001	1	MANUAL ASSY, FAX3550 FOR USA (INCLUDING OPERATIONS MANUAL, QUICK REFERENCE GUIDE, QUICK SET UP GUIDE AND REMOTE CONTROL GUIDE)	
(90)	UF7278001	1	MANUAL ASSY, FAX3550 FOR CAN (INCLUDING OPERATIONS MANUAL (ENGLISH/FRENCH), QUICK REFERENCE GUIDE (ENGLISH/FRENCH), QUICK SET UP GUIDE (ENGLISH/FRENCH) AND REMOTE CONTROL GUIDE (ENGLISH/FRENCH))	
(90)	UF7211001	1	MANUAL ASSY, MFC4550 FOR USA (INCLUDING OPERATIONS MANUAL, MULTI FUNCTION LINK MANUAL, QUICK REFERENCE GUIDE, SET UP MANUAL, REMOTE CONTROL GUIDE AND LICENSE GUIDE)	
(90)	UF7252001	1	MANUAL ASSY, MFC4550 FOR CAN (INCLUDING OPERATIONS MANUAL (ENGLISH/FRENCH), MULTI FUNCTION LINK MANUAL (ENGLISH/FRENCH), QUICK REFERENCE GUIDE (ENGLISH/FRENCH), SET UP MANUAL (ENGLISH/FRENCH), REMOTE CONTROL GUIDE (ENGLISH/FRENCH) AND LICENSE GUIDE)	
(90)	UF7233001	1	MANUAL ASSY, MFC6550MC/7550MC FOR USA (INCLUDING OPERATIONS MANUAL, MULTI FUNCTION LINK MANUAL, QUICK REFERENCE GUIDE, SET UP MANUAL, REMOTE CONTROL GUIDE AND LICENSE GUIDE)	
(90)	UF7264001	1	MANUAL ASSY, MFC6550MC/7550MC FOR CAN (INCLUDING OPERATIONS MANUAL (ENGLISH/FRENCH), MULTI FUNCTION LINK MANUAL (ENGLISH/FRENCH), QUICK REFERENCE GUIDE (ENGLISH/FRENCH), REMOTE CONTROL GUIDE (ENGLISH/FRENCH) AND LICENSE GUIDE)	
(90-1)	UF7225001	1	OPERATIONS MANUAL, FAX3550 FOR USA	
(90-1)	UF7279001	1	OPERATIONS MANUAL, FAX3550 FOR CAN (ENGLISH)	
(90-1)	UF7283001	1	OPERATIONS MANUAL, FAX3550 FOR CAN (FRENCH)	
(90-1)	UF7244001	1	OPERATIONS MANUAL, MFC4500/6550MC/7550MC FOR USA	
(90-1)	UF7263001	1	OPERATIONS MANUAL, MFC4500/6550MC/7550MC FOR CAN (ENGLISH)	
(90-1)	UF7246001	1	OPERATIONS MANUAL, MFC4550/6550MC/7550MC FOR CAN (FRENCH)	
(90-2)	UF7228001	1	SET UP MANUAL, MFC4550/6550MC/7550MC (ENGLISH)	
(90-2)	UF7258001	1	SET UP MANUAL, MFC4550/6550MC/7550MC FOR CAN (FRENCH)	
(90-3)	UF7226001	1	MULTI FUNCTION MANUAL, MFC4550/6550MC/7550MC (ENGLISH)	
(90-3)	UF7261001	1	MULTI FUNCTION MANUAL, MFC4550/6550MC/7550MC FOR CAN (FRENCH)	
(91)	UF7212001	1	FLOPPY DISK ASSY FOR MFC4500	
(91)	UF7249001	1	FLOPPY DISK ASSY FOR MFC6550MC/7550MC	
(92)	UE1432001	1	CARTON, BROTHER FAX3550	

REF.NO.	CODE	Q'TY	DESCRIPTION	REMARKS
(92)	UE1476001	1	CARTON, BROTHER FAX3550 FOR CAN	
(92)	UE1423001	1	CARTON, BROTHER MFC4550 FOR USA	
(92)	UE1455001	1	CARTON, BROTHER MFC4550 FOR CAN	
(92)	UE1436001	1	CARTON, BROTHER MFC6550MC FOR USA	
(92)	UE1457001	1	CARTON, BROTHER MFC6550MC FOR CAN	
(92)	UE1447001	1	CARTON, BROTHER MFC7550MC FOR USA	
(92)	UE1469001	1	CARTON, BROTHER MFC7550MC FOR CAN	
(93)	UE1424001	1	STYROFOAM ASSY	
(94)	UE1427000	1	CARTON FOR MANUAL	

# DRIVE UNIT

1

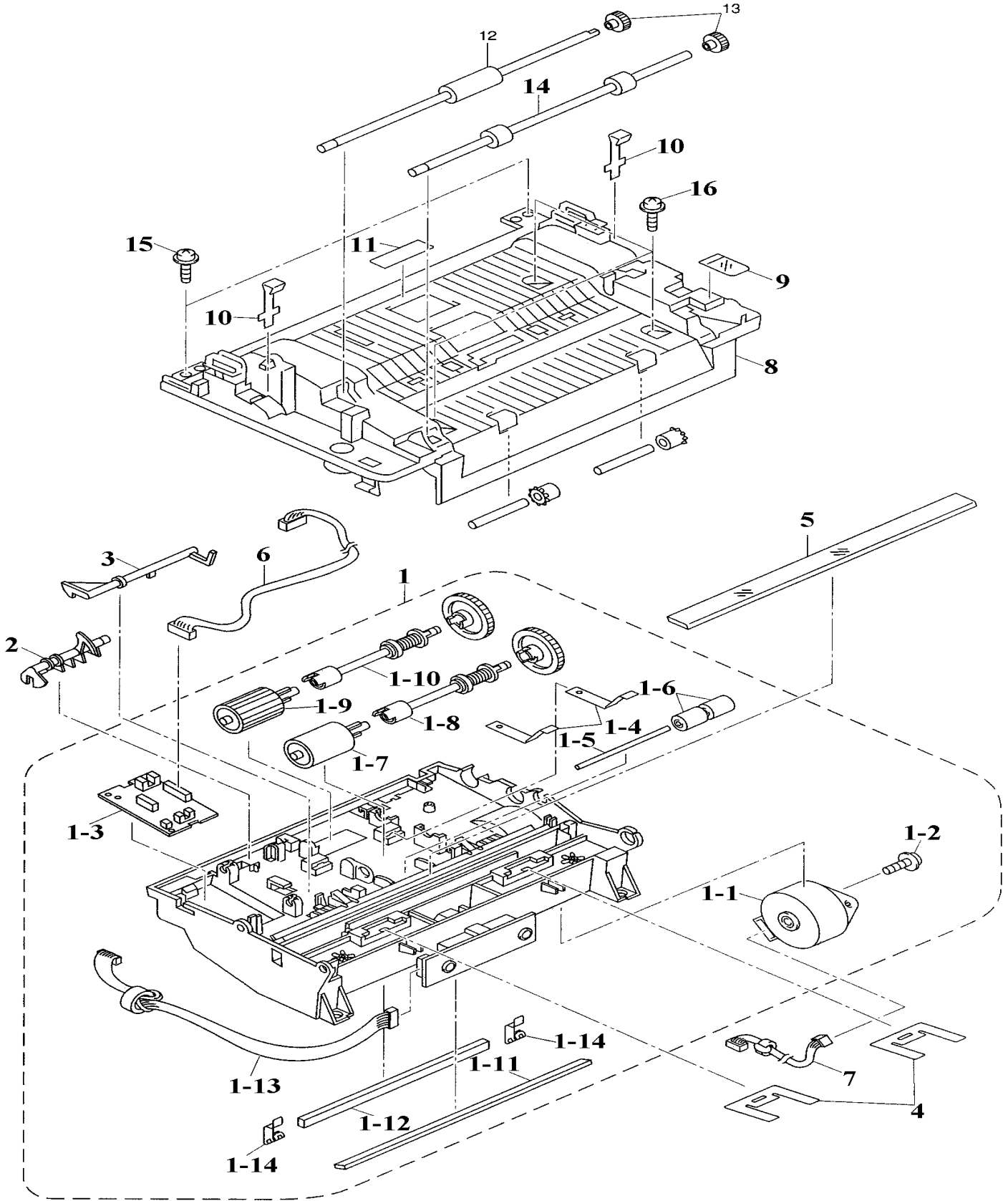


1 . DRIVE UNIT

REF.NO.	CODE	Q'TY	DESCRIPTION	REMARKS
1	UL6997001	1	DRIVE UNIT	
1-1	UL6573000	1	PAPER PICK-UP SOLENOID LEVER	
1-2	UL6574000	1	CLUTCH RELEASE LEVER	
1-3	UL6575001	1	SOLENOID LEVER RETURN SPRING	
1-4	UL6576001	1	PAPER PICK-UP SOLENOID ASSY	
1-5	087322015	1	TAPTITE, CUP S M3X20	
1-6	UL6577001	2	CLUTCH GEAR SPRING	
1-7	UL6579001	1	CLUTCH HOLDER SPRING	
1-8	UL6578001	1	MAIN MOTOR ASSY	
1-9	087320616	2	TAPTITE, CUP S M3X6	
1-10	UK3125001	1	DRUM GROUND PCB ASSY	
1-11	087412016	3	TAPTITE, CUP B M4X20	
1-12	085411215	1	TAPTITE, BIND B M4X12	



## 2. SCANNING FRAME



2 . SCANNING FRAME

REF.NO.	CODE	Q'TY	DESCRIPTION	REMARKS
1	UF7320001	1	SCANNING FRAME	
1-1	Z26243001	1	SCANNING MOTOR	
1-2	OA5300805	1	SCREW, PAN S/P WASHER M3X8	
1-3	UF7328001	1	SENSOR PCB ASSY	
1-4	UF7013001	2	SPRING PLATE, PRESSURE ROLLER	
1-5	UF7014000	1	PRESSURE ROLLER SHAFT	
1-6	T20869000	2	LEADER CLAMP ROLLER	
1-7	UF4366001	1	SEPARATION ROLLER	
1-8	UF7016001	1	SEPARATION ROLLER SHAFT, BLACK	
1-9	UF7015001	1	SEPARATION ROLLER	
1-10	UF7019001	1	SEPARATION ROLLER ASSY, WHITE	
1-11	UF7307001	1	MIRROR, L220	
1-12	UF7323001	1	MIRROR, S166.5 FOR FAX3550/ & MFC4550	
1-12	UF7308001	1	MIRROR, S137 FOR MFC6550MC/7550MC	
1-13	UG4032001	1	CCD-SENSOR HARNESS ASSY	
1-14	UF4431001	2	SPRING PLATE, MIRROR S FOR MFC6550MC/7550MC	
2	UF7026001	1	ACTUATOR, F	
3	UF7027001	1	ACTUATOR, R	
4	UF7028001	2	EJECTION SPRING	
5	UF7304001	1	COVER GLASS	
6	UG4031001	1	SENSOR-MAIN HARNESS	
7	UG4035001	1	SCANNER MOTOR-MAIN HARNESS	
8	UF7030001	1	ADF COVER, GRAY(1267) FOR FAX3550	
8	UF7030004	1	ADF COVER, WHITE(1138) FOR MFC4550/6550MC/7550MC	
9	UF7187001	1	GEAR COVER SHEET	
10	UF7031001	2	PANEL OPEN SPRING	
11	UL5664001	1	ADF FILM	
12	UF7033001	1	LF ROLLER	
13	UF7035000	2	LF ROLLER GEAR	
14	UF7036001	1	EJECTION ROLLER	
15	087411216	2	TAPTITE, CUP B M4X12	
16	087311016	3	TAPTITE, CUP B M3X10	

INDEX

CODE	REF.NO.	Page
	- 1	2
	- 2	2
OA5300805	2 - 1-2	10
T20869000	2 - 1-6	10
UE1423001	- (92)	5
UE1424001	- (93)	5
UE1427000	- (94)	5
UE1432001	- (92)	4
UE1436001	- (92)	5
UE1447001	- (92)	5
UE1455001	- (92)	5
UE1457001	- (92)	5
UE1469001	- (92)	5
UE1476001	- (92)	5
UF4366001	2 - 1-7	10
UF4404001	- 13-12	2
UF4431001	2 - 1-14	10
UF5077001	- (85)	4
UF6400001	- 70	3
UF6400003	- 70	4
UF6559001	- 50	3
UF7013001	2 - 1-4	10
UF7014000	2 - 1-5	10
UF7015001	2 - 1-9	10
UF7016001	2 - 1-8	10
UF7019001	2 - 1-10	10
UF7026001	2 - 2	10
UF7027001	2 - 3	10
UF7028001	2 - 4	10
UF7030001	2 - 8	10
UF7030004	2 - 8	10
UF7031001	2 - 10	10
UF7033001	2 - 12	10
UF7035000	2 - 13	10
UF7036001	2 - 14	10
UF7054001	- 30	3
UF7055001	- 22	2
UF7056001	- 23	2
UF7057000	- 24	3
UF7058001	- 25	3
UF7059000	- 40	3
UF7060001	- 57	3
UF7062001	- 37	3
UF7065001	- 60	3
UF7067001	- 9	2
UF7069001	- 12	2
UF7069004	- 12	2
UF7073001	- 63	3
UF7073004	- 63	3
UF7074001	- 64	3
UF7074004	- 64	3
UF7075001	- 65	3
UF7076001	- 66	3
UF7078001	- 52	3
UF7081000	- 37	3
UF7085001	- (82)	4
UF7086001	- (83)	4
UF7089001	- (84)	4

INDEX

CODE	REF.NO.	Page
UF7090001	- 53	3
UF7092001	- 77	4
UF7097001	- 58	3
UF7150001	- 13-13	2
UF7154001	- 13-3	2
UF7155001	- 13-4	2
UF7158000	- 13-6	2
UF7159001	- 13-5	2
UF7160001	- 13-7	2
UF7161000	- 13-8	2
UF7162001	- 13-9	2
UF7163001	- 13-10	2
UF7164001	- 15	2
UF7165001	- 16	2
UF7168001	- 15	2
UF7170001	- 16	2
UF7173001	- 16	2
UF7176001	- 15	2
UF7177001	- 16	2
UF7187001	2 - 9	10
UF7201001	- 74	4
UF7204009	- 71	4
UF7204010	- 71	4
UF7206001	- 75	4
UF7209001	- 76	4
UF7211001	- (90)	4
UF7212001	- (91)	4
UF7225001	- (90-1)	4
UF7226001	- (90-3)	4
UF7228001	- (90-2)	4
UF7233001	- (90)	4
UF7242001	- (90)	4
UF7244001	- (90-1)	4
UF7246001	- (90-1)	4
UF7249001	- (91)	4
UF7252001	- (90)	4
UF7258001	- (90-2)	4
UF7261001	- (90-3)	4
UF7263001	- (90-1)	4
UF7264001	- (90)	4
UF7278001	- (90)	4
UF7279001	- (90-1)	4
UF7283001	- (90-1)	4
UF7304001	2 - 5	10
UF7305001	- 13-2	2
UF7306001	- 13	2
UF7307001	2 - 1-11	10
UF7308001	2 - 1-12	10
UF7309002	- 8	2
UF7309004	- 8	2
UF7310001	- 32	3
UF7310002	- 32	3
UF7311001	- 43	3
UF7312001	- 48	3
UF7314001	- 46	3
UF7320001	2 - 1	10
UF7321001	- 13-2	2
UF7322001	- 13	2

INDEX

CODE	REF.NO.	Page
UF7323001	2 - 1-12	10
UF7324001	- 32	3
UF7324002	- 32	3
UF7325001	- 13-1	2
UF7325002	- 13-1	2
UF7325003	- 13-1	2
UF7326001	- 13	2
UF7328001	2 - 1-3	10
UF7329001	- 68	3
UG1570001	- 72	4
UG4031001	2 - 6	10
UG4032001	2 - 1-13	10
UG4033001	- 14	2
UG4034001	- 45	3
UG4035001	2 - 7	10
UG4036001	- 59	3
UG4072001	- 33	3
UG4074001	- 34	3
UG4086001	- 36	3
UG4090001	- 35	3
UG4142001	- 5	2
UG4144001	- 6	2
UG4163000	- 42	3
UG4166001	- 73	4
UG4177001	- 33	3
UG4179001	- 34	3
UK3059000	- 56	3
UK3062001	- 51	3
UK3125001	1 - 1-10	8
UK3191001	- 48	3
UK3192001	- 54	3
UL5664001	2 - 11	10
UL5738003	- (88)	4
UL5771001	- 17	2
UL6122001	- 18	2
UL6123004	- 17	2
UL6573000	1 - 1-1	8
UL6574000	1 - 1-2	8
UL6575001	1 - 1-3	8
UL6576001	1 - 1-4	8
UL6577001	1 - 1-6	8
UL6578001	1 - 1-8	8
UL6579001	1 - 1-7	8
UL6611001	- (81)	4
UL6688001	- (89)	4
UL6721000	- 26	3
UL6722001	- 27	3
UL6723001	- 28	3
UL6730000	- 29	3
UL6740001	- (86)	4
UL6741001	- (87)	4
UL6853001	- 31	3
UL6875001	- 3	2
UL6877001	- 10	2
UL6878001	- 10	2
UL6879001	- 10-1	2
UL6880001	- 10-1	2
UL6887001	- 21	2

INDEX

CODE	REF.NO.	Page
UL6928001	- 79	4
UL6931001	- 20	2
UL6936001	- 19	2
UL6955001	- (80)	4
UL6997001	1 - 1	8
U88406001	- 72	4
Z26243001	2 - 1-1	10
002300616	- 39	3
085411215	- 4	2
	- 11	2
	- 47	3
	- 49	3
	- 55	3
	1 - 1-12	8
087310616	- 69	3
087310815	- 7	2
	- 13-11	2
087311016	- 41	3
	- 44	3
	- 67	3
	2 - 16	10
087320616	- 38	3
	- 62	3
	- 78	4
	1 - 1-9	8
087322015	1 - 1-5	8
087411215	- 61	3
087411216	2 - 15	10
087412016	1 - 1-11	8