



**FACSIMILE EQUIPMENT  
PARTS REFERENCE LIST**

**MODEL: MFC5200C**  
**(For U.S.A. / Canada )**

© Copyright Brother 2002

All rights reserved

No part of this publication may be reproduced in any form  
or by any means without permission in writing from the  
publisher.

Specifications are subject to change without prior notice.

## NOTES FOR USING THIS PARTS REFERENCE LIST

1. In the case of ordering parts, it needs mentioning the following items:

- (1) Code
- (2) Q' ty
- (3) Description

Note: No orders without Parts Code or Tool No. can be accepted.

[Example]

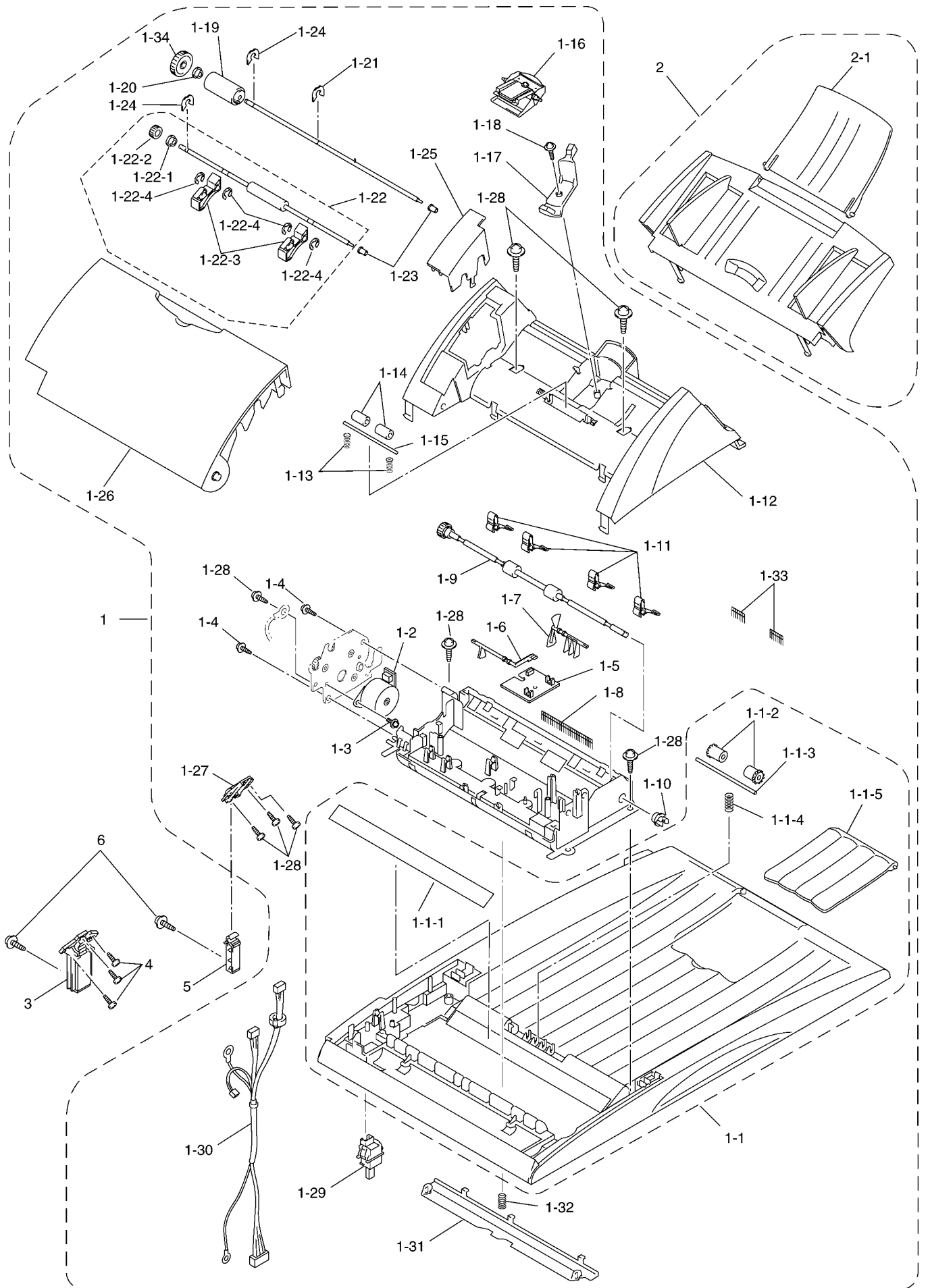
REF.NO.	CODE	Q' TY	DESCRIPTION	RECOMMEND	REMARKS

2. Parts change will be informed by the technical information.

## COUNTRIES

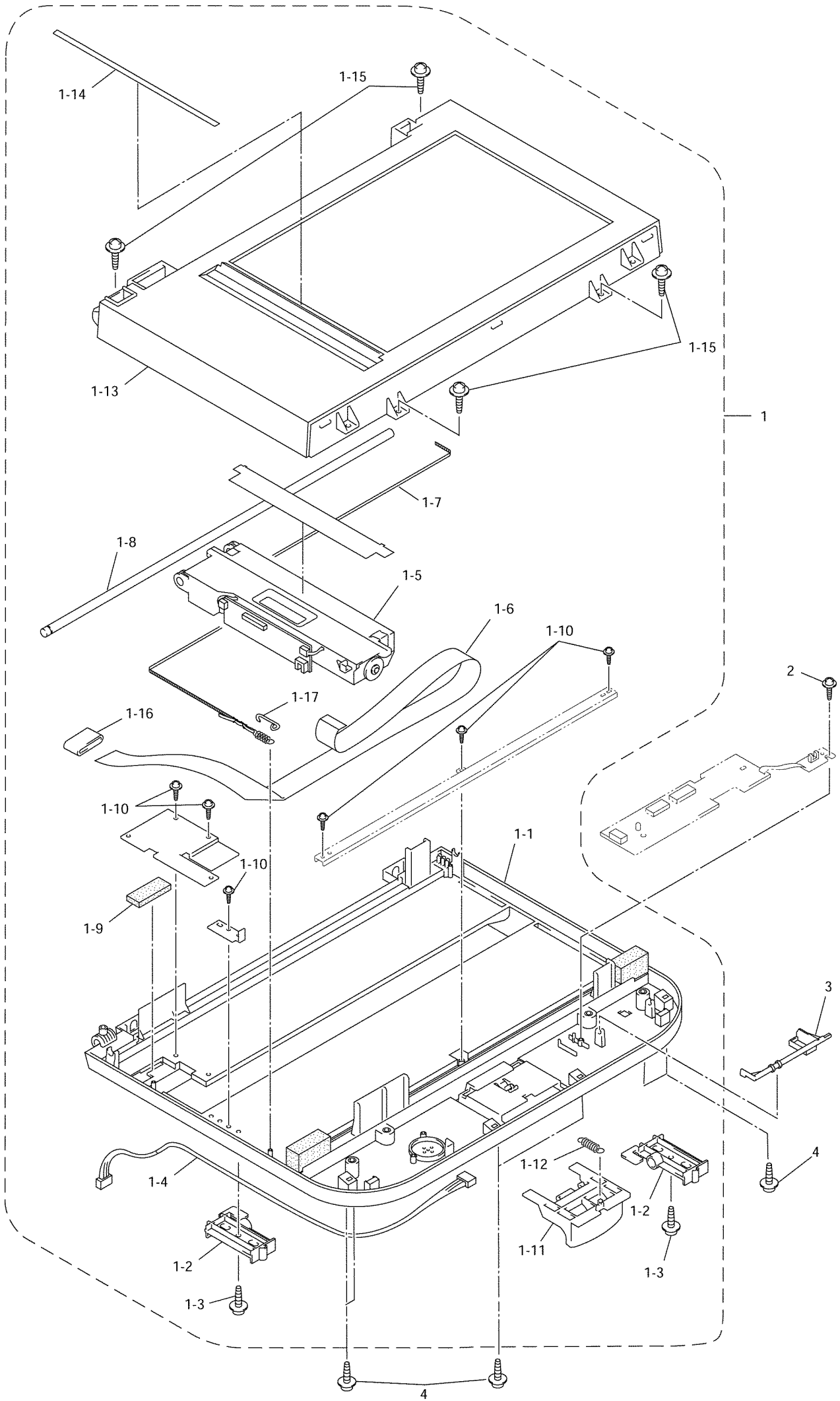
U.S.A. ---- US

CANADA ---- CAN



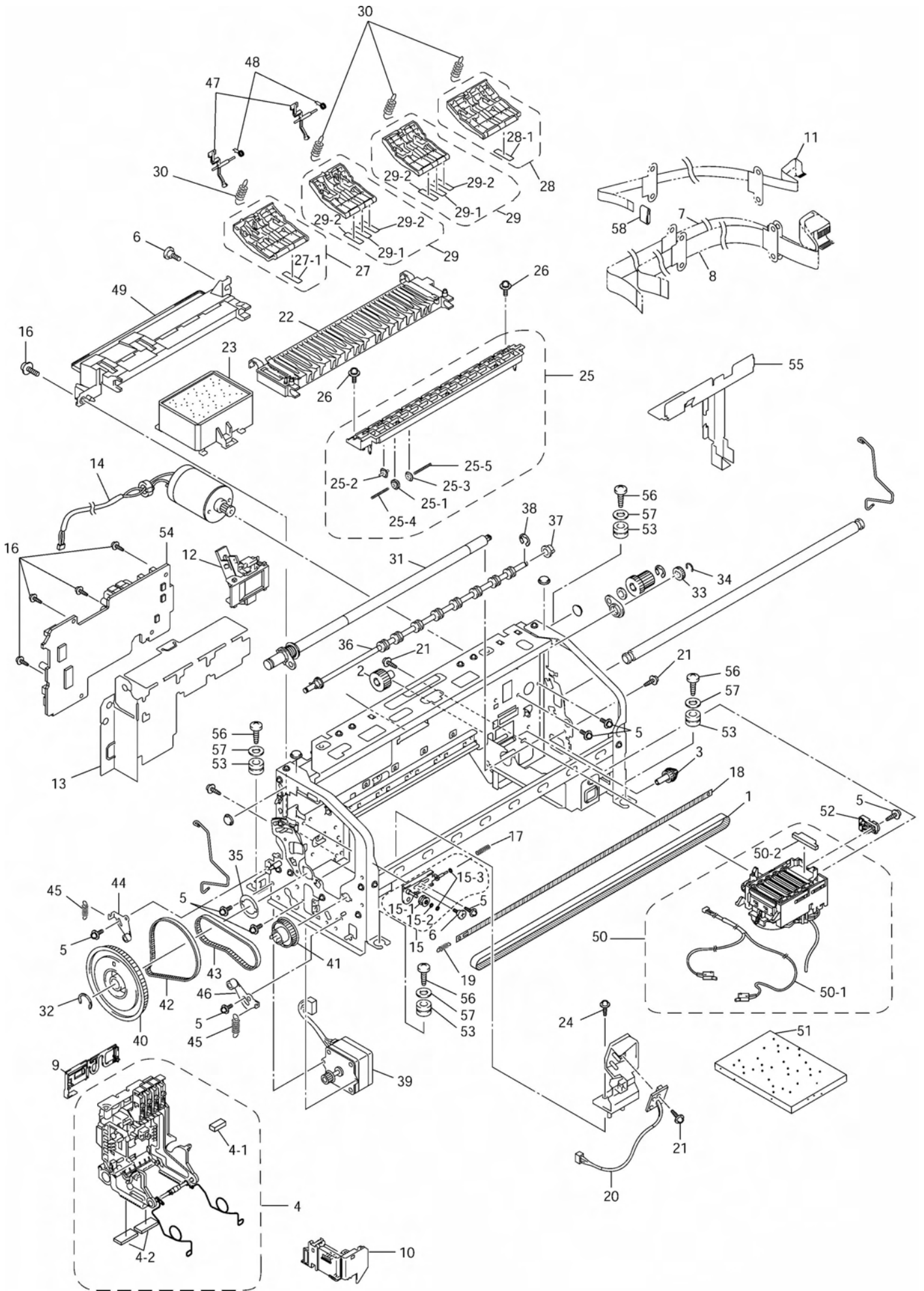
## LIST1(ADF)

REF.No.	CODE	Q'TY	DESCRIPTION	RECOMMEND	REMARKS
1	LE9436001	1	DOCUMENT COVER ASSY	√	
1-1	LE9437001	1	DOCUMENT COVER SUB ASSY, GRAY(1495)		
1-1-1	LE6205001	1	CHUTE FILM		
1-1-2	UL6244002	2	PINCH ROLLER		
1-1-3	LE2471001	1	PINCH ROLLER SHAFT		
1-1-4	LE6206001	1	PINCH ROLLER SPRING		
1-1-5	LE6207001	1	ADF DOCUMENT OUTPUT SUPPORT EXTENSION, GRAY(1495)		
1-2	LE6214001	1	ADF MOTOR		
1-3	0A4300605	1	SCREW, PAN (S/P WASHER) M3X6		
1-4	087310815	2	TAPTITE, CUP B M3X8		
1-5	LG3216001	1	DOCUMENT SENSOR PCB ASSY		
1-6	LE6219001	1	DOCUMENT REAR SENSOR ACTUATOR		
1-7	LE6220001	1	DOCUMENT FRONT SENSOR ACTUATOR		
1-8	LE6221001	1	ANTI-STATIC BRUSH		
1-9	LE6222001	1	DOCUMENT EJECTION ROLLER ASSY		
1-10	UF0026001	1	PAWLED BUSHING		
1-11	LE6334001	4	DOCUMENT GUIDE CLIP		
1-12	LE6226001	1	UPPER ADF CHUTE, GRAY(1495)		
1-13	LE2472001	2	PRESSURE ROLLER SPRING		
1-14	UF9009001	2	PRESSER ROLLER		
1-15	LE2471001	1	PRESSURE ROLLER SHAFT		
1-16	LE6345001	1	SEPARATOR RUBBER UNIT		
1-17	LE6330001	1	ADF THICKNESS ADJUSTER		
1-18	UF5034001	1	TAPTITE, B 3X6		
1-19	LE2037001	1	SEPARATION ROLLER		
1-20	LE6494001	1	BUSHING		
1-21	048050346	1	RETAINING RING, E5		
1-22	LE6233001	1	DOCUMENT FEED ROLLER ASSY		
1-22-1	LE6494001	1	BUSHING		
1-22-2	LE6495001	1	DOCUMENT FEED ROLLER GEAR		
1-22-3	LE6492001	2	DOCUMENT FEED ROLLER PAPER CHUTE		
1-22-4	048050346	4	RETAINING RING, E5		
1-23	UF9949001	2	BUSHING S		
1-24	LE2537001	2	PLASTIC RETAINING RING		
1-25	LE6236001	1	GEAR COVER, GRAY(1495)		
1-26	LE6237001	1	ADF COVER, GRAY(1495)		
1-27	LE6245001	1	HINGE BASE R		
1-28	087311016	8	TAPTITE, CUP B M3X10		
1-29	LG3218001	1	DOCUMENT COVER OPEN SENSOR		
1-30	LG3827001	1	ADF HARNESS		
1-31	LE9010001	1	DOCUMENT PRESSURE BAR		
1-32	LE6218001	1	SPRING		
1-33	LE6609001	2	ANTI-STATIC BRUSH S		
1-34	LE6230001	1	SEPARATION ROLLER GEAR		
2	LE6246001	1	DOCUMENT GUIDE ASSY, GRAY(1495)		
2-1	LE6250001	1	DOCUMENT SUPPORT, CLEAR PURPLE(6342)		
3	LE6238001	1	HINGE ASSY L		
4	087311016	3	TAPTITE, CUP B M3X10		
5	LE6244001	1	HINGE ARM R		
6	085411216	2	TAPTITE, BIND B M4X12		



## LIST2(SCANNER)

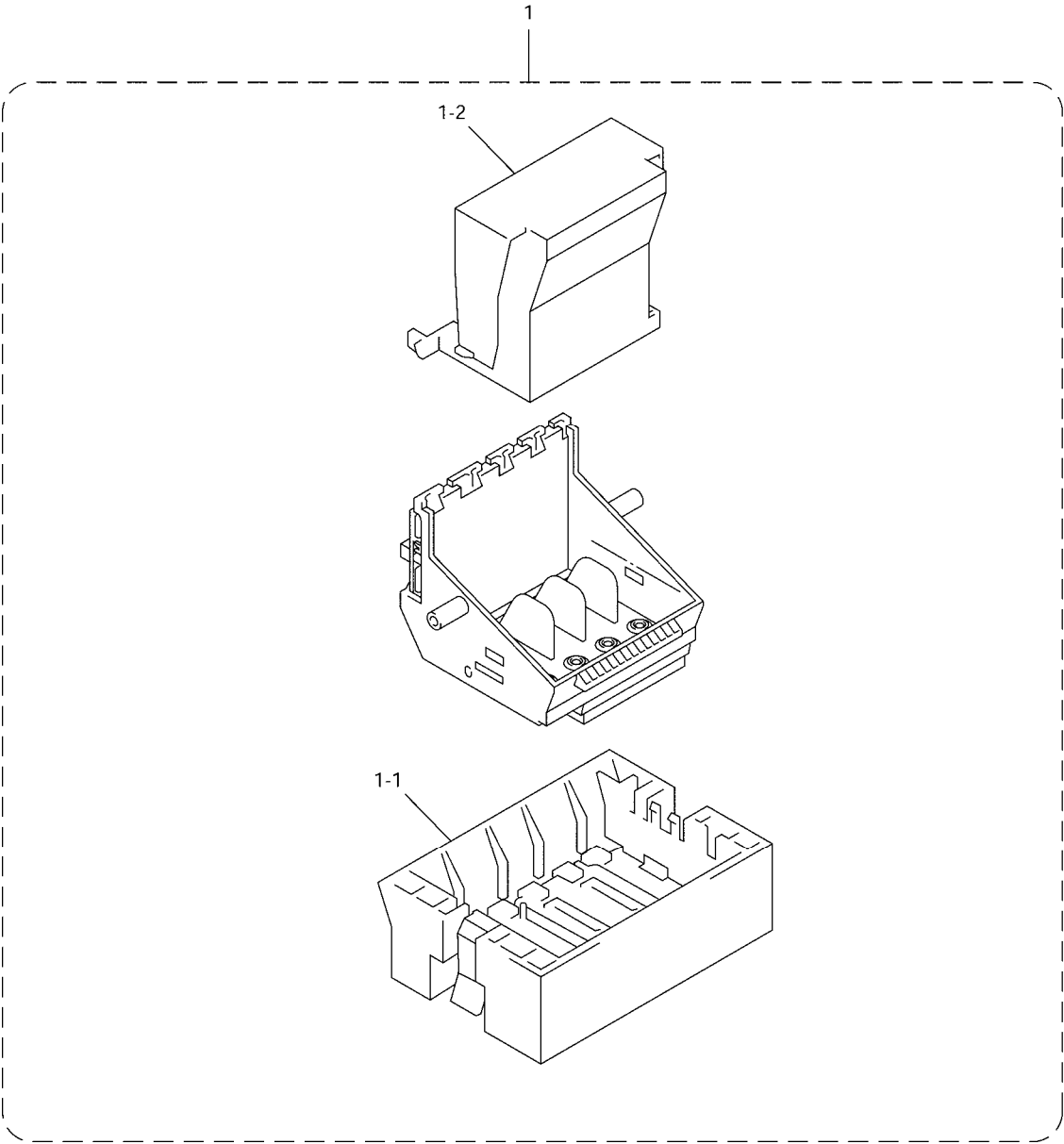
REF.No.	CODE	QTY	DESCRIPTION	RECOMMEND	REMARKS
1	LE9351001	1	SCANNER UNIT	√	
1-1	LE9314001	1	SCANNER BASE, GRAY(1495)		
1-2	LE6253001	2	SCANNER LINK SUPPORT		
1-3	087411216	2	TAPTITE, CUP B M4X12		
1-4	LG3233001	1	PANEL HARNESS		
1-5	LF2492001	1	CCD UNIT (SP)		CHG
1-6	LE6351001	1	CCD FLAT CABLE		
1-7	LE6353001	1	CCD DRIVE BELT ASSY		
1-8	LE6259001	1	CCD RAIL		
1-9	LE6260001	1	SPONGE R		
1-10	087310816	6	TAPTITE, CUP B M3X8		
1-11	LE9255001	1	SCANNER COVER RELEASE LEVER, PURPLE(6255)		
1-12	LE6264001	1	LEVER SPRING		
1-13	LE6267001	1	SCANNER TOP COVER ASSY, GRAY(1495)		
1-14	LE6355001	1	DOCUMENT SET LABEL		
1-15	087411216	4	TAPTITE, CUP B M4X12		
1-16	LG2020001	1	FLAT CORE 40X20X6.5		
1-17	LE9433001	1	BELT HOLDING SPRING		add
2	087310815	1	TAPTITE, CUP B M3X8		
3	LE2095001	1	SCANNER OPEN SENSOR ACTUATOR		
4	087311216	6	TAPTITE, CUP B M3X12		





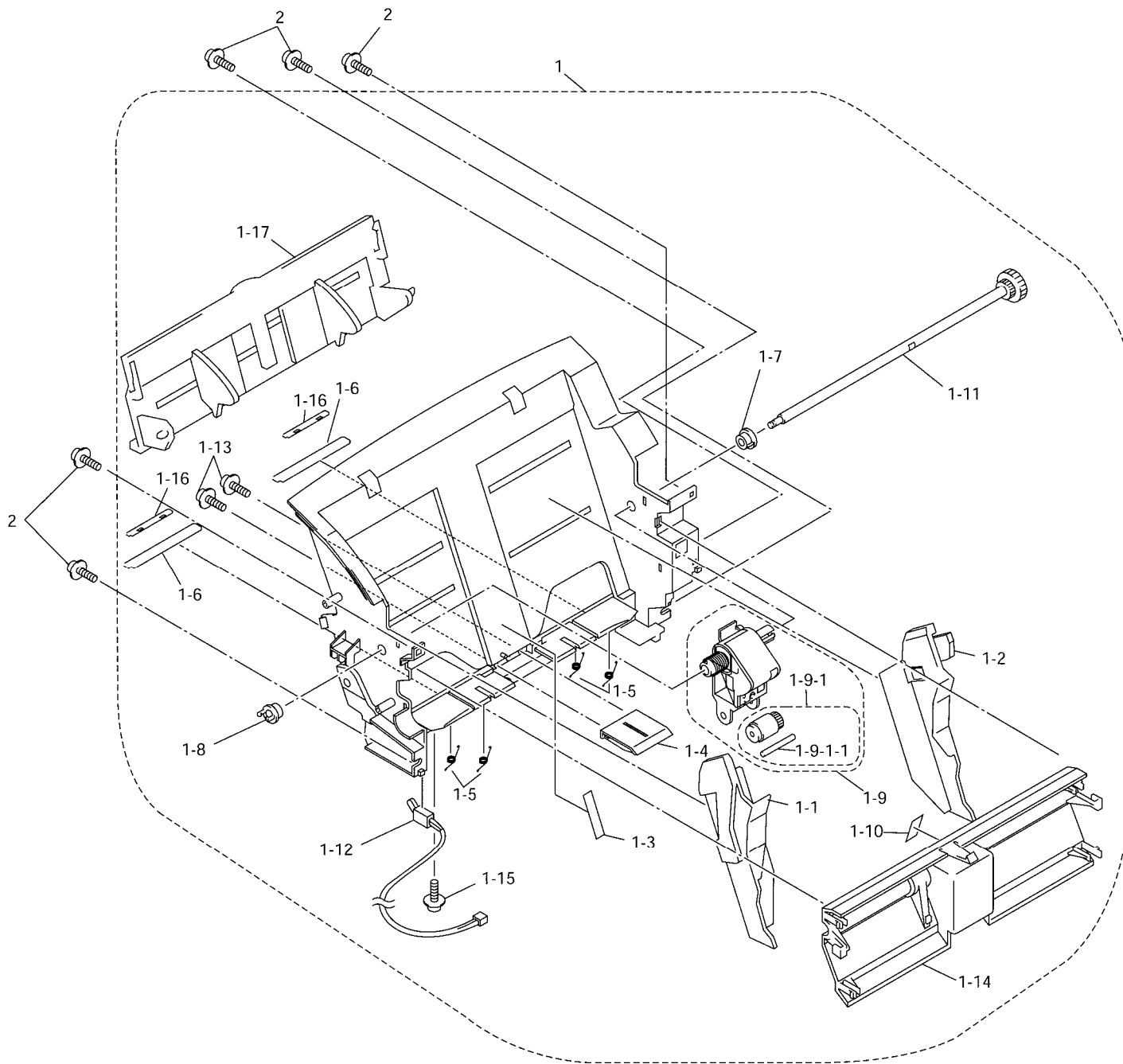
## LIST3(ENGINE)

REF No.	CODE	QTY	DESCRIPTION	RECOMMEND	REMARKS
1	LE9061001	1	CARRIAGE TIMING BELT		
2	LE9268001	1	GEAR, 25M		
3	LE6031001	1	PURGE BEVEL GEAR A		
4	LE9039001	1	CARRIAGE UNIT ASSY	√	
4-1	LE9434001	1	FELT		
4-2	LE9435001	2	FELT M2		
5	0A5300605	8	SCREW, PAN (S/P WASHER) M3X6		
6	UF9823001	2	SHOULDER SCREW		
7	LE9068001	1	HEAD FLAT CABLE W ASSY (18 terminals)		
8	LE9070001	1	HEAD FLAT CABLE M ASSY (32 terminals)		
9	LE9071001	1	FFC STOPPER 1		
10	LE9072001	1	FFC STOPPER 2		
11	LE9073001	1	HEAD FLAT CABLE N ASSY		
12	LE9075001	1	FLAT CABLE CLAMP		
13	LE9180001	1	HARNESS SUPPORT FILM L		
14	LE9077001	1	CARRIAGE MOTOR		
15	LE9081001	1	IDLE PULLEY HOLDER ASSY		
15-1	LE3170001	1	IDLE PULLEY		
15-2	026030135	1	WASHER, PLAIN S 3		
15-3	048020345	2	RETAINING RING, E2		
16	087320615	5	SCREW, CUP S TITE 3X6		
17	LE3171001	1	PULLEY SPRING		
18	LE9084001	1	ENCODER STRIP		
19	UD6012001	1	ENCODER STRIP SPRING		
20	LG3837001	1	INK EMPTY SENSOR PCB ASSY		
21	087310815	3	TAPTITE, CUP B M3X8		
22	LE9086001	1	PLATEN		
23	LE9090001	1	FLUSHING FOAM CASE ASSY		
24	087320616	1	TAPTITE, CUP S M3X6		
25	LE9094001	1	STAR WHEEL SUPPORT ASSY		
25-1	LE6504001	8	STAR WHEEL W		
25-2	LE6805001	8	STAR WHEEL B		
25-3	LE6105001	5	STAR WHEEL A		
25-4	LE9236001	8	STAR WHEEL SPRING		
25-5	LE9274001	5	STAR WHEEL SPRING A		
26	LE9229001	2	TAPTITE, PAN B 3X10		
27	LE9096001	1	PAPER PRESSURE HOLDER L ASSY		
27-1	LE9291001	1	PRESSURE HOLDER FILM		
28	LE9098001	1	PAPER PRESSURE HOLDER R ASSY		
28-1	LE9291001	1	PRESSURE HOLDER FILM		
29	LE9100001	2	PAPER PRESSURE HOLDER M ASSY		
29-1	LE9291001	2	PRESSURE HOLDER FILM		
29-2	LE9430001	4	PRESSURE HOLDER FILM 2		
30	LE6090001	4	PRESSURE ROLLER SPRING		
31	LE9102001	1	PAPER FEED ROLLER ASSY		
32	LE9107001	1	CRESCENT RING, C14		
33	LE9266001	1	PF ROLLER GEAR R		
34	LE6121001	1	CRESCENT RING, C5		
35	LE9109001	1	WASHER, 15.1X21		
36	LE9286001	1	PAPER EJECTION ROLLER ASSY		
37	UF8097001	1	BUSHING		
38	048060345	1	RETAINING RING, E6		
39	LE9114001	1	PAPER FEED MOTOR		
40	LE9653001	1	PF ROLLER PULLEY FLANGE ASSY		chg
41	LE9117001	1	EJECTION ROLLER PULLEY		
42	LE9118001	1	PF TIMING BELT L		
43	LE9119001	1	PF TIMING BELT S		
44	LE9121001	1	TENSION PLATE R		
45	LE9125001	2	TENSION SPRING		
46	LE9126001	1	TENSION PLATE F		
47	LE9128001	2	SENSOR ACTUATOR		
48	LE9129001	2	ACTUATOR SPRING		
49	LE9242001	1	PAPER CHUTE ASSY		
50	LE9131001	1	PURGE UNIT	√	
50-1	LG3839001	1	PURGE SWITCH HARNESS		
50-2	LE9134001	1	PURGE FOAM		
51	LE9235001	1	MAINTENANCE FOAM		
52	LE9135001	1	MAINTENANCE STOPPER		
53	LE9166001	4	RUBBER BUSHING		
54	LG7431001	1	DRIVER PCB ASSY	√	CHG
55	LE9179001	1	HARNESS HOLDER FILM		
56	085411216	4	TAPTITE, BIND B M4X12		
57	LE9167001	4	PLAIN WASHER		
58	LG4043001	1	FLAT CORE:24.5-20		



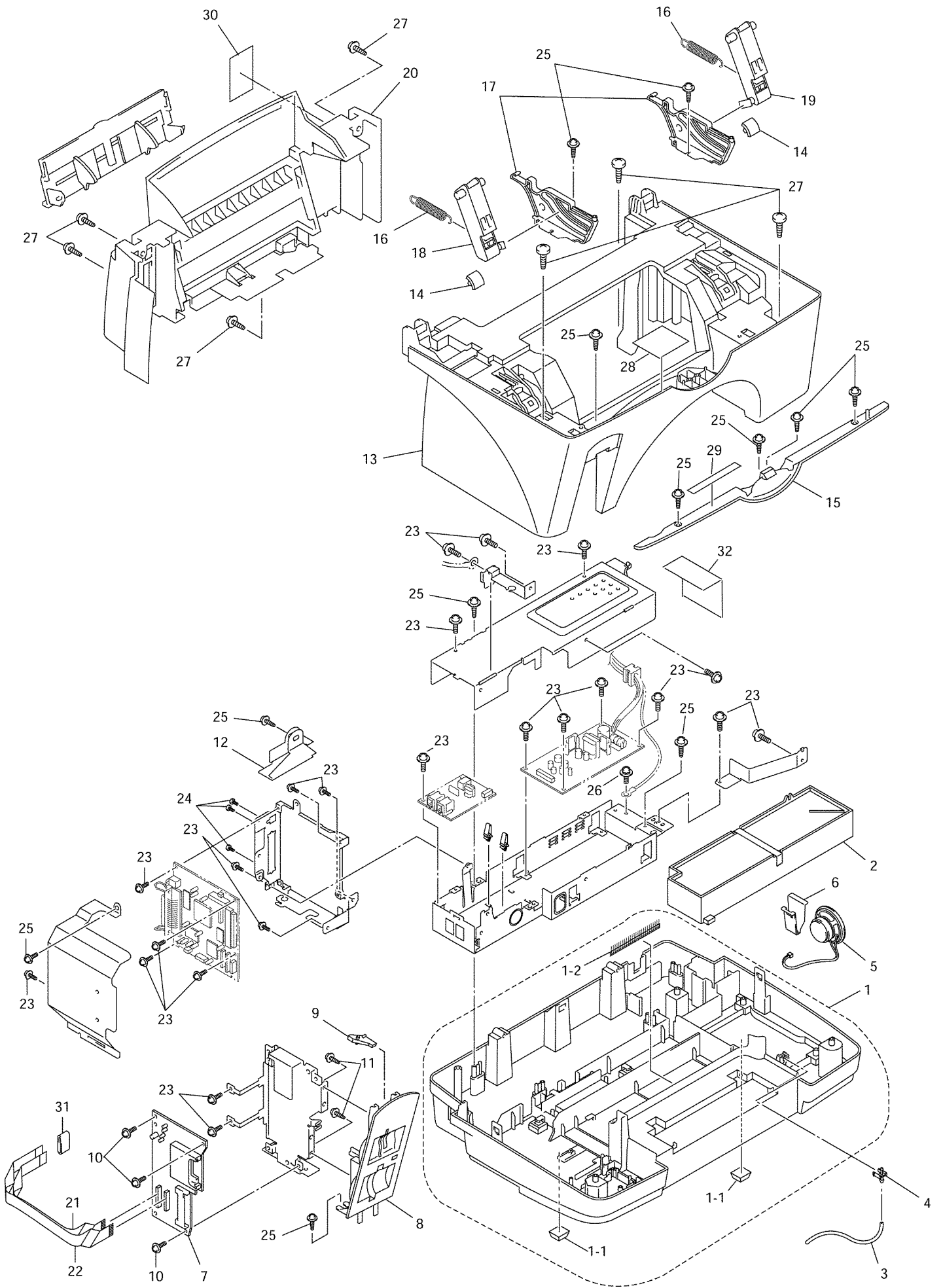
LIST4(HEAD UNIT)

REF.No	CODE	QTY	DESCRIPTION	RECOMMEND	REMARKS
1	LK0799001	1	PRINT HEAD UNIT (SP)		
1-1	LK0800001	1	HEAD NOZZLE SEAL ASSY(SP)		
1-2	LK0536001	1	HEAD FILTER SEAL(SP)	√	



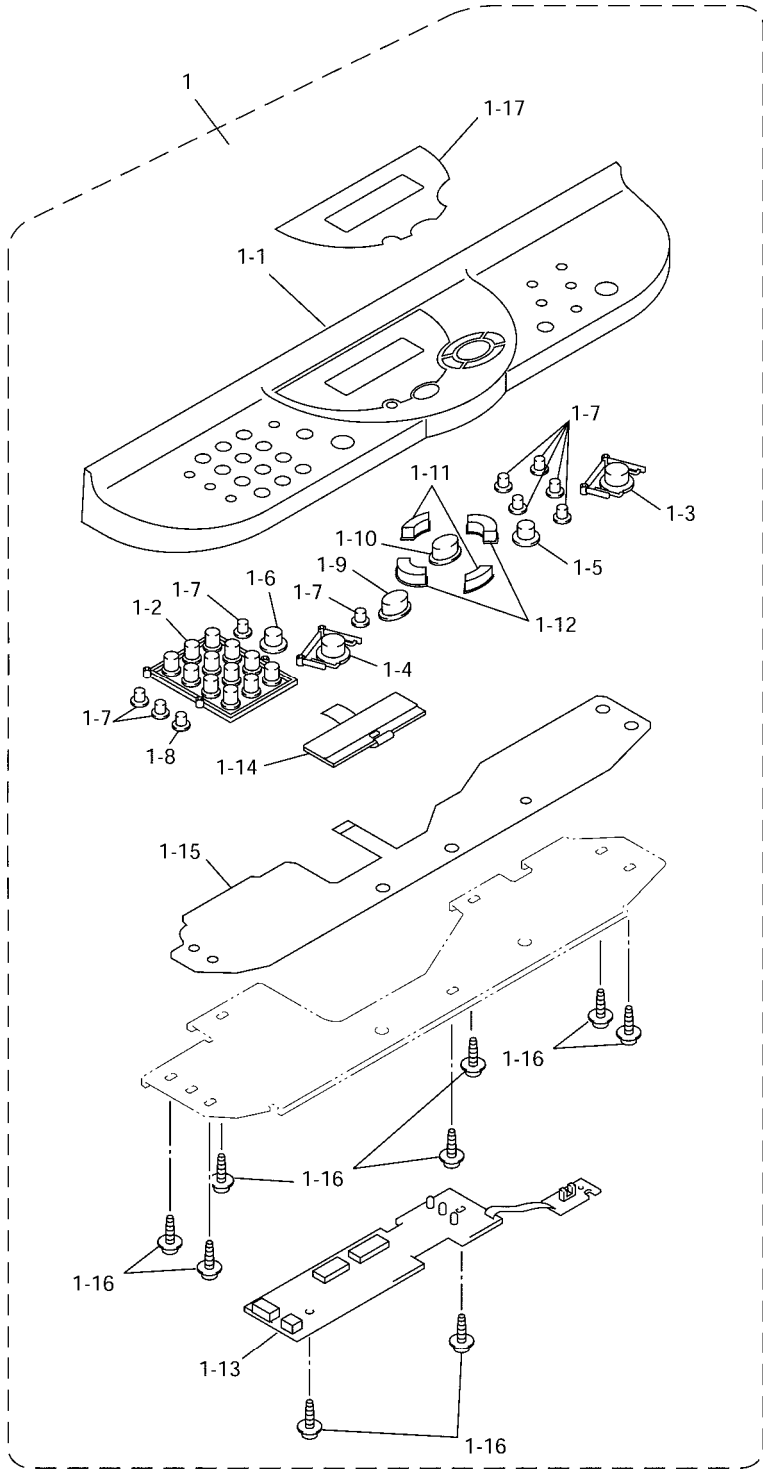
## LIST5(ASF)

REF.NO	CODE	Q'TY	DESCRIPTION	RECOMMEND	REMARKS
1	LE9136001	1	ASF BASE ASSY		
1-1	LE6332001	1	SIDE GUIDE L, GRAY(1495)		
1-2	LE6333001	1	SIDE GUIDE R, GRAY(1495)		
1-3	LE6137001	1	BASE PAD		
1-4	LE9267001	1	SEPARATION PAD ASSY		
1-5	LE9232001	4	FLAP SPRING		
1-6	LE9233001	2	FLAP HOLDER, GRAY(1495)		
1-7	UF8097001	1	BUSHING		
1-8	UF0026001	1	PAWLED BUSHING		
1-9	LE9160001	1	ASF ROLLER ASSY, PURPLE(6255)		
1-9-1	LE3432001	1	ASF ROLLER		
1-9-1-1	LE3267001	1	ASF ROLLER CORE		
1-10	LE9312001	1	JAM MARK LABEL		
1-11	LE9253001	1	ASF SHAFT		
1-12	LG4167001	1	MANUAL FEED SLOT COVER SENSOR HARNESS		
1-13	085311015	2	SCREW, BND B TITE 3X10		
1-14	LE9161001	1	PCB COVER, GRAY(1495)		
1-15	087310815	1	TAPTITE, CUP B M3X8		
1-16	LE9304001	2	FLAP FILM		
1-17	LE9189001	1	MANUAL FEED SLOT COVER ASSY, PURPLE(6255)		
2	087320616	5	TAPTITE, CUP S M3X6		



## LIST6(COVER)

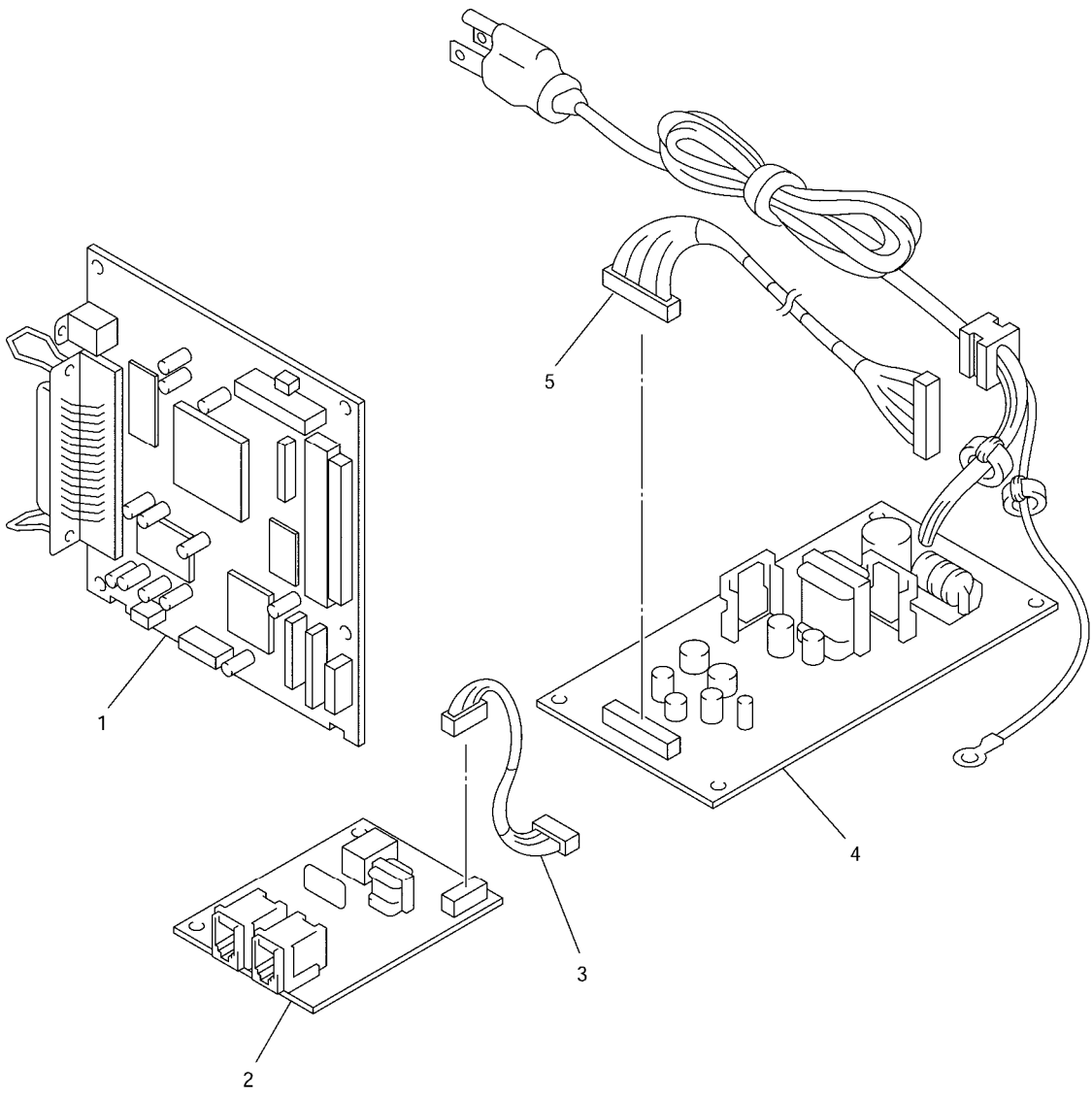
REF.No	CODE	QTY	DESCRIPTION	RECOMMEND	REMARKS
1	LE9162001	1	LOWER COVER ASSY , PURPLE(6255)		
1-1	UD4019001	2	RUBBER FOOT		
1-2	LE6568001	1	ANTI-STATIC BRUSH		
2	LE9247001	1	INK ABSORBER BOX ASSY		
3	LE9164001	1	EXTENSION TUBE		
4	LE9165001	1	DRAIN TUBE JOINT		
5	LG3845001	1	SPEAKER		
6	UF9847001	1	SPEAKER SPRING		
7	LG4416001	1	MEDIA PCB ASSY	√	
8	LE9174001	1	MEDIA COVER, PURPLE(6255)		
9	LE3439001	1	LENS		
10	087320616	3	TAPTITE, CUP S M3X6		
11	087311016	2	TAPTITE, CUP B M3X10		
12	LE9178001	1	CCD FLAT CABLE GUIDE FILM		
13	LE9182001	1	MAIN COVER, GRAY(1495)		
14	LE9184001	2	SUPPORT CHIP		
15	LE9187001	1	EDGE COVER, GRAY(1495)		
16	LE6282001	2	SCANNER LINK SPRING		
17	LE6283001	2	SCANNER LINK GUIDE		
18	LE6284001	1	SCANNER LINK L		
19	LE6285001	1	SCANNER LINK R		
20	LE9271001	1	REAR COVER ASSY, GRAY(1495)		
21	LE9305001	1	MEDIA FLAT CABLE ASSY(22P)		
22	LE9306001	1	MEDIA FLAT CABLE ASSY(21P)		
23	087320616	23	TAPTITE, CUP S M3X6		
24	002300616	3	SCREW, PAN M3X6		
25	087311016	12	TAPTITE, CUP B M3X10		
26	UF6559001	1	SCREW, PAN (WASHER) M4X8DB		
27	085411216	7	TAPTITE, BIND B M4X12		
28	LE9193001	1	INK REPLACE INSTRUCTION LABEL		
29	LE6530001	1	CONSUMPTION LABEL		
30	LE9289001	1	MANUAL SLOT LABEL		
31	UG5577000	1	FLAT CORE :33.5-20		
32	LE9310001	1	PS PROTECT FILM		
(33)	UU0456001	1	PROTECTION PAPER		





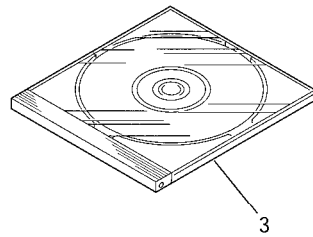
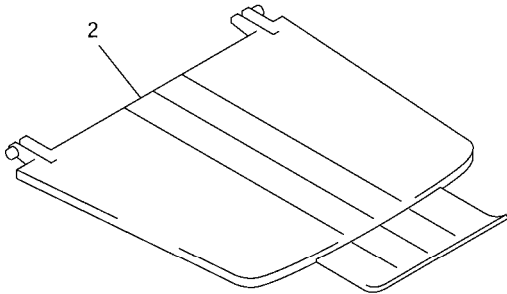
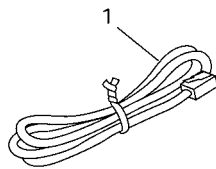
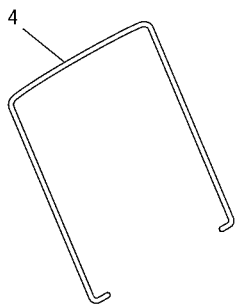
## LIST7(PANEL)

REF.No	CODE	QTY	DESCRIPTION	RECOMMEND	REMARKS
1	LE9348001	1	PANEL COVER ASSY, MFC5200C (SP)	√	
1-1	LE9201001	1	CONTROL PANEL ASSY, MFC5200C		
1-2	LE3431001	1	KEY, TEN, GRAY(1495)		
1-3	LE9228001	1	KEY, CYLINDER 13, GREEN(5159)		
1-4	LE9228004	1	KEY, CYLINDER 13, PURPLE(6255)		
1-5	LE6171005	1	KEY, CYLINDER9.5, GRAY(1496)		
1-6	LE6171001	1	KEY, CYLINDER9.5, GRAY(1495)		
1-7	LE3295001	9	KEY, CYLINDER 6, GRAY(1495)		
1-8	LE3295003	1	KEY, CYLINDER 6, GRAY(1496)		
1-9	LE6170002	1	KEY, OVAL, PINK(2205)		
1-10	LE6079001	1	KEY, PRINTED OVAL, GRAY(1495)		
1-11	LE6168001	2	KEY, CURSOR L, PURPLE(6255)		
1-12	LE6169001	2	KEY, CURSOR S, PURPLE(6255)		
1-13	LG4193001	1	CONTROL PANEL PCB ASSY		
1-14	UG4552000	1	LCD		
1-15	LG5639001	1	FPC KEY		CHG
1-16	087310615	9	TAPTITE, CUP B M3X6		
1-17	LE9203001	1	LCD SHEET	√	



## LIST8(PCB)

REF.No	CODE	QTY	DESCRIPTION	RECOMMEND	REMARKS
1	LG3859001	1	MAIN PCB ASSY, MFC5200C	√	
1	LG4013001	1	MAIN PCB ASSY, MFC5200C	√	First 3-month production only
2	LG3655061	1	NCU PCB ASSY, MFC5200C	√	
3	LG4190001	1	NCU MAIN HARNESS		
4	LG3873001	1	POWER SUPPLY UNIT, MFC5200C	√	
5	LG3875001	1	POWER SUPPLY HARNESS		



## LIST9(Accessories)

REF.No	CODE	QTY	DESCRIPTION	RECOMMEND	REMARKS
1	LG3077001	1	TELEPHONE LINE CORD		
2	LE6398002	1	OUTPUT PAPER SUPPORT ASSY, PURPLE (6255)		
3	LE9363001	1	CD-ROM ASSY		
4	LE6821001	1	INPUT PAPER SUPPORT		
(5)	ZA0310001	1	HEAD CLEANER STICK ASSY	√	
(6)	LK0504001	1	GLYCEROL CLEAN FLUID	√	
(7)	UF8263001	1	TEST CHART-027		
(8)	UF9258001	1	COLOR TEST CHART CTC-001		
(9)	UF4600001	1	CONTRAST CHART TC-023		
(10)	LE0019001	1	FERRITE CORE BAG ASSY		
(11)	LE6455001	1	FORM EMPTY CARTRIDGE UNIT	√	
(12-15)	----		N/A		
(16)	LK0505001	1	INITIAL LIQUID CARTRIDGE ASSY (SP)	√	ADD

## LIST10(PRINTED MATERIAL)

REF.No	CODE	Q'TY	DESCRIPTION	RECOMMEND	REMARKS
(1)	LE9204001	1	USER'S GUIDE ASSY, MFC5200C FOR US (INCLUDING USER'S GUIDE, WARRANTY CARD, ACCESSORY ORDER FORM, INPUT PAPER SUPPORT)	√	
(1)	LE9360001	1	USER'S GUIDE ASSY, MFC5200C FOR CAN (INCLUDING 2 USER'S GUIDE, WARRANTY CARD, ACCESSORY ORDER FORM, INPUT PAPER SUPPORT, FRENCH SEAL)	√	
(1-1)	LE9205001	1	USER'S GUIDE, MFC5200C <ENGLISH>		
(1-1)	LE9359001	1	USER'S GUIDE, MFC5200C FOR CAN <FRENCH>		

## LIST11(PACKAGING)

REF.No	CODE	QTY	DESCRIPTION	RECOMMEND	REMARKS
(1)	LE9209001	1	CARTON, BROTHER, MFC5200C FOR US	√	
(1)	LE9315001	1	CARTON, BROTHER, MFC5200C FOR CAN	√	
(2)	LE9212001	1	POLYSTYRENE FOAM ASSY		
(3)	LE6625001	1	SHEET, 400X450		
(4)	LJ0763001	1	BAG, 1000X1000H		
(5)	LE6317001	1	CARTON FOR MANUAL		
(6)	LE9207001	1	QUICK SETUP GUIDE <ENGLISH>		
(6)	LE9358001	1	QUICK SETUP GUIDE FOR CAN <FRENCH>		
(7)	LE9216001	1	CARRIAGE STOPPER		
(8)	LE9352001	1	WIPER STOPPER ASSY		

**brother®**

8CA503  
PL-FAX034  
Ver. J-1