



FACSIMILE EQUIPMENT
PARTS REFERENCE LIST

MODEL: FAX2600 / MFC4300 / MFC4600

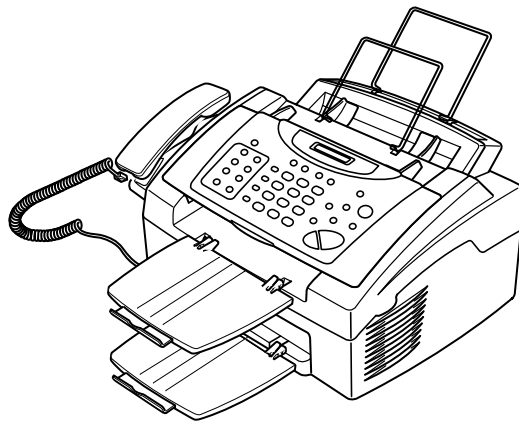
(For U.S.A. / Canada)

FAX2650 / MFC4600

(For Hong Kong / Asia / Gulf)

FAX2660 / MFC4600

(For Australia / New Zealand)



© Copyright Brother 2000

All rights reserved

No part of this publication may be reproduced in any form or by any means without permission in writing from the publisher.

Specifications are subject to change without prior notice.

NOTES FOR USING THIS PARTS REFERENCE LIST

1. In the case of ordering parts, it needs mentioning the following items:

- (1) Code
- (2) Q' ty
- (3) Description

Note: No orders without Parts Code or Tool No. can be accepted.

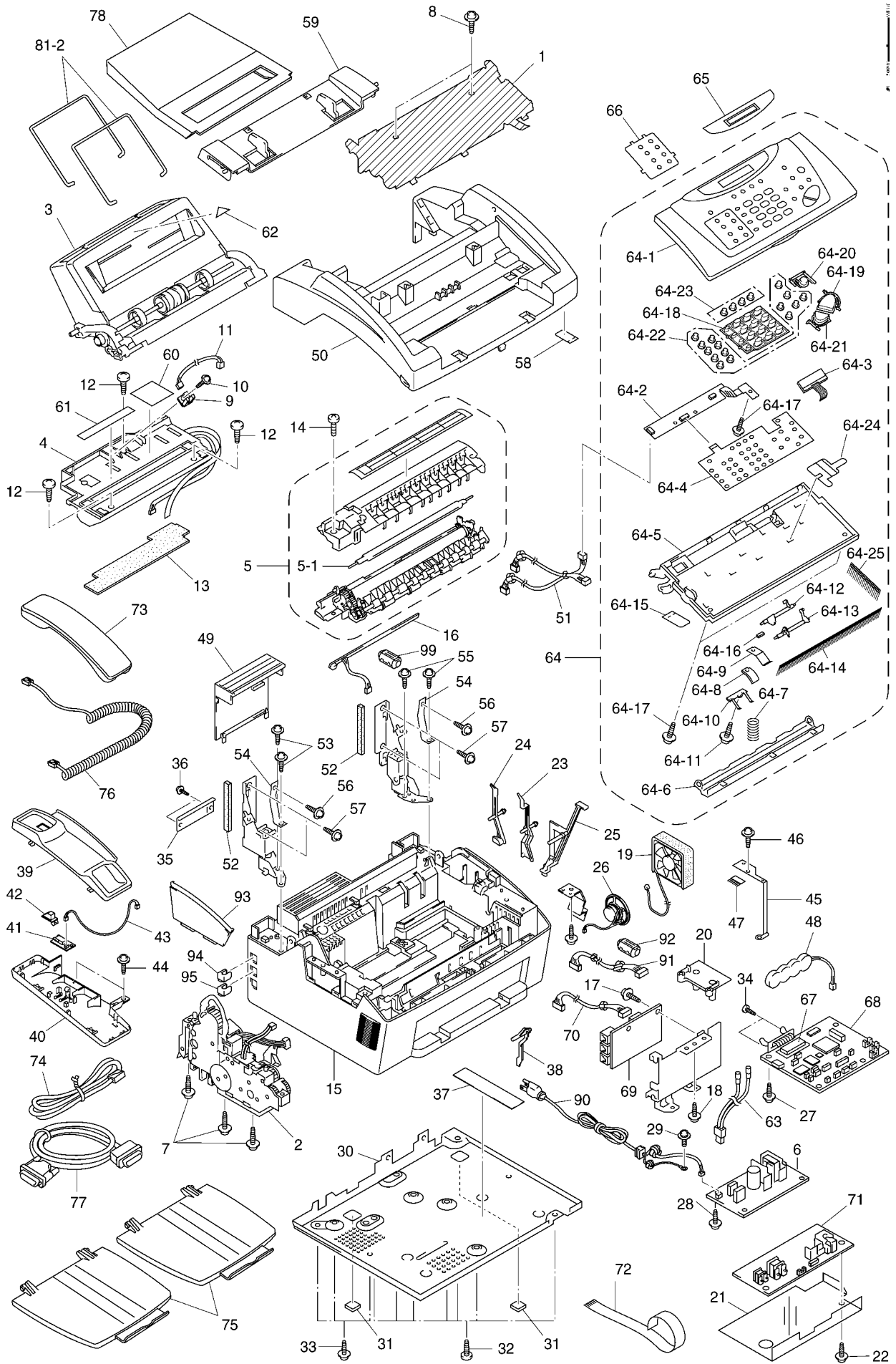
[Example]

REF.NO.	CODE	Q' TY	DESCRIPTION	REMARKS

2. Parts change will be informed by the technical information.

COUNTRIES

U.S.A. ----- US
CANADA ----- CAN
AUSTRALIA ----- ARL
NEW ZEALAND ----- NZ
HONG KONG ----- HK
ASIA ----- ASA
GULF ----- GUL

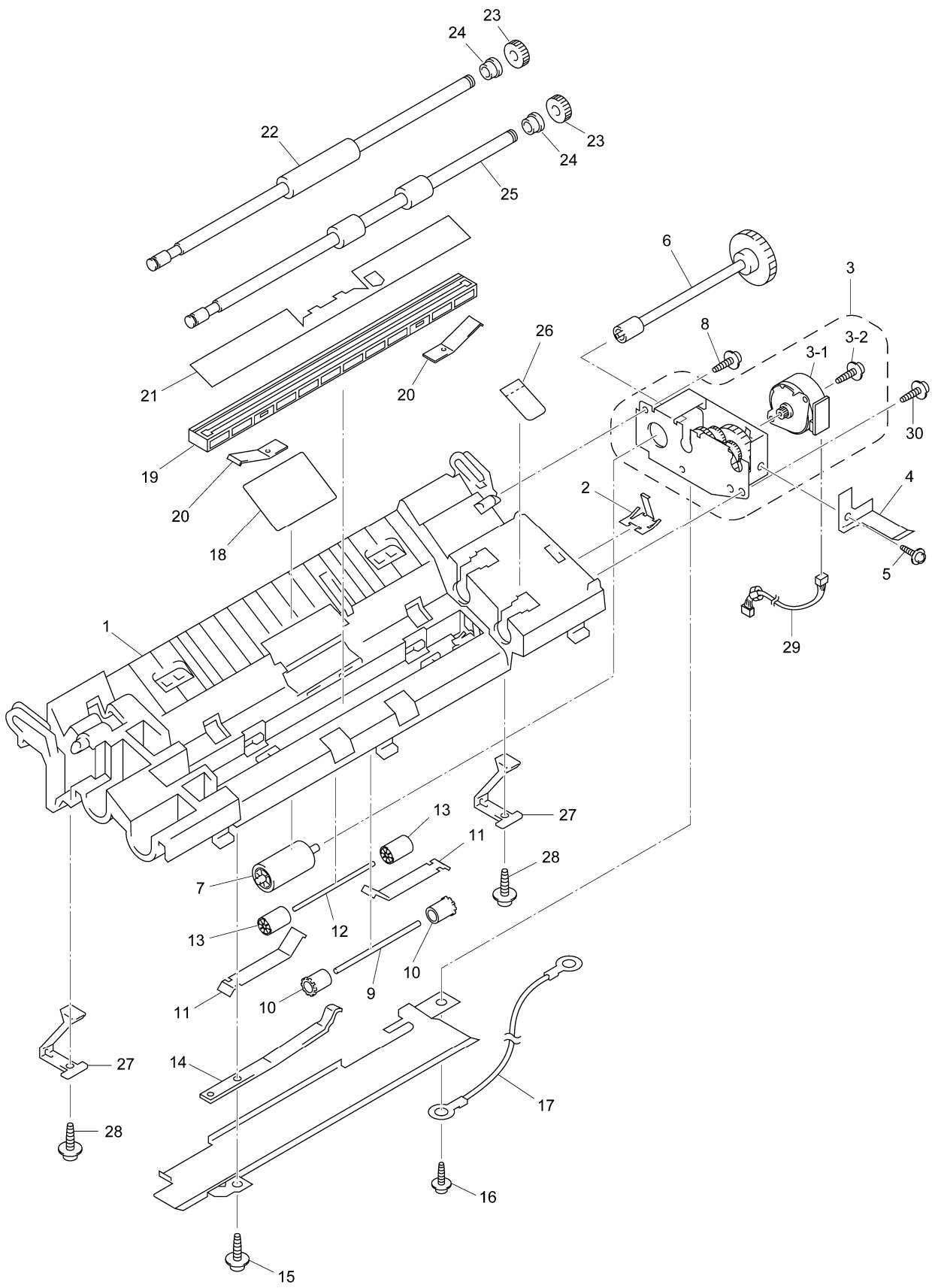


REF.NO.	CODE	Q'TY	DESCRIPTION	REMARKS
1			SCANNER FRAME ATTACHMENT	
2	LH0477001	1	GEAR DRIVE UNIT ASSY (SP)	
3	LH0478005	1	MULTI-PURPOSE SHEET FEEDER ASSY (SP), GLAY(1495)	
4	UU7134001	1	LASER UNIT ASSY (SP)	
5	UU7135001	1	HEAT-FIXING UNIT 120V ASSY (SP), FOR US/CAN	
5	UU7442001	1	HEAT-FIXING UNIT 240V ASSY (SP), FOR ARL/NZ/HK/ASA/GUL	
5-1	UL6879001	1	FUSER LAMP, 120V (SP), FOR US/CAN	
5-1	UL6880001	1	FUSER LAMP, 240V (SP), FOR ARL/NZ/HK/ASA/GUL	
(5-2)	UL6667001	1	THERMISTOR ASSY	
(5-3)	UL6681001	4	PINCH ROLLER ASSY	
(5-4)	UL6682001	4	PINCH ROLLER SPRING	
6	UU7515001	1	LOW-VOLTAGE POWER SUPPLY PCB ASSY (SP), 115V, (INCLUDING AC CORD) , FOR US/CAN	
6	UG4557001	1	LOW-VOLTAGE POWER SUPPLY PCB ASSY, 230V, (EXCLUDING AC CORD), FOR ARL/NZ	
6	UG4605001	1	LOW-VOLTAGE POWER SUPPLY PCB ASSY, 230V, (EXCLUDING AC CORD), FOR HK/ASA/GUL	
7	087412016	3	TAPTITE, CUP B M4X20	
8	087311016	2	TAPTITE, CUP B M3X10	
9	UG4220001	1	TONER SENSOR PCB ASSY	
10	087310815	1	TAPTITE, CUP B M3X8	
11	UG4144001	1	TONER SENSOR HARNESS	
12	085411215	3	TAPTITE, BIND B M4X12	
13	UU7043001	1	SCANNER SPONGE	
14	085411215	1	TAPTITE, BIND B M4X12	
15	LH0504001	1	MAIN COVER ASSY, GRAY(1495)	
16	UL6887001	1	EL PCB UNIT	
17	087320616	1	TAPTITE, CUP S M3X6	
18	085411215	1	TAPTITE, BIND B M4X12	
19	LH0367001	1	FAN	
20	UU7054001	1	FAN SUPPORT	
21	LH0417001	1	INSULATION FILM	
22	085411215	1	TAPTITE, BIND B M4X12	
23	UU7056001	1	REGISTRATION SENSOR ACTUATOR	
24	----		NOT USED	
25	UU7058001	1	TOP COVER SENSOR ACTUATOR	
26	UG4509001	1	SPEAKER	
27	085411215	1	TAPTITE, BIND B M4X12	
28	087320616	1	TAPTITE, CUP S M3X6	
29	UF6559001	1	SCREW, PAN (WASHER) M4X8DB	
30	UU7062001	1	BOTTOM PLATE	
31	UD4019001	2	RUBBER FOOT	
32	085411215	7	TAPTITE, BIND B M4X12	
33	087320616	3	TAPTITE, CUP S M3X6	
34	002300616	2	SCREW, PAN M3X6	
35	UU7064001	1	OPTION COVER	
36	0A5300805	2	SCREW, PAN (S/P WASHER) M3X8	
37	UU7322001	1	SPACER 30X145	
38	UL6717001	1	PAPER EJECTION SENSOR ACTUATOR(BLACK)	
39	UF8165008	1	UPPER HANDSET MOUNT, GRAY(1495)	
40	UF8166008	1	LOWER HANDSET MOUNT, GRAY(1495)	
41	UG5030001	1	HOOK SWITCH PCB ASSY	
42	UF8167008	1	ACTUATOR HOOK, GRAY(1495)	
43	UG4500001	1	HOOK SWITCH HARNESS	
44	087311016	2	TAPTITE, CUP B M3X10	
45	UU7065001	1	SCANNER GROUNDING PLATE	
46	087310815	1	TAPTITE, CUP B M3X8	
47	UF7676001	1	ANTI-STATIC BRUSH	

REF.NO.	CODE	Q'TY	DESCRIPTION	REMARKS
48	----		NOT USED	
49	UU7006005	1	ROM COVER, GRAY(1495)	
50	UU7001005	1	TOP COVER, GRAY(1495)	
51	UG4502001	1	CIS & PANEL-MAIN HARNESSSES	
52	UU7168001	2	HARNESS SUPPORT SPONGE	
53	087411215	2	TAPTITE, CUP B M4X12	
54	UU7170001	2	TOP COVER STOPPER 12	
55	087411215	2	TAPTITE, CUP B M4X12	
56	087320616	2	TAPTITE, CUP S M3X6	
57	085411215	4	TAPTITE, BIND B M4X12	
58	UF7187001	1	SHIELD FILM	
59	UU7090005	1	DOCUMENT GUIDE BASE, GRAY(1495)	
60	UL6740001	1	LASER CAUTION LABEL	
61	UL6741001	1	TONER CAUTION LABEL	
62	----		NOT USED	
63	UG4506001	1	HEATER HARNESS(BROWN AND BLUE WIRES)	
64	LH0402001	1	CONTROL PANEL ASSY, FAX2600/2650	
64	LH0607001	1	CONTROL PANEL ASSY, FAX2660	
64	LH0543001	1	CONTROL PANEL ASSY, MFC4300	
64	LH0432001	1	CONTROL PANEL ASSY, MFC4600 FOR US/CAN/ASA/GUL	
64	LH0634001	1	CONTROL PANEL ASSY, MFC4600 FOR ARL	
64-1	LH0403001	1	CONTROL PANEL, FAX2600/2650	
64-1	LH0608001	1	CONTROL PANEL, FAX2660	
64-1	LH0544001	1	CONTROL PANEL, MFC4300	
64-1	LH0433001	1	CONTROL PANEL, MFC4600 FOR US/CAN/ASA/GUL	
64-1	LH0635001	1	CONTROL PANEL, MFC4600 FOR ARL	
64-2	LH7095001	1	CONTROL PANEL PCB ASSY	
64-3	LG2567001	1	LCD	
64-4	LH7098001	1	FPC KEY	
64-5	UU7004001	1	PANEL REAR COVER	
64-6	UU7101001	1	DOCUMENT PRESSURE BAR	
64-7	UU7147001	1	DOCUMENT PRESSURE BAR SPRING	
64-8	UU7521001	1	SEPARATION RUBBER	
64-9	UU7105001	1	ADF SPRING PLATE	
64-10	UU7106001	1	SPRING PLATE, ADF FRONT	
64-11	UF6116001	1	TAPTITE, PAN B M3X6	
64-12	UU7107001	1	DOCUMENT FRONT SENSOR ACTUATOR	
64-13	UU7108001	1	DOCUMENT REAR SENSOR ACTUATOR	
64-14	UU7505001	1	ANTI-STATIC BRUSH 1	
64-15	UF7187001	1	SHIELD FILM	
64-16	UU7285001	1	ANTI-VIBRATION RUBBER	
64-17	087310815	2	TAPTITE, CUP B M3X8	
64-18	UF4393007	1	KEY, TEN, GRAY(1495)	
64-19	LE4074001	1	KEY, START, PURPLE(6255)	
64-20	LJ4285003	1	KEY, COPY, GRAY(1496)	
64-21	LE4075002	1	KEY, STOP, GRAY(1495)	
64-22	LE3295001	15	KEY, CYLINDER 6, GRAY(1495)	
64-23	LE3295002	4	KEY, CYLINDER 6, PURPLE(6255)	
64-24	LH0505001	1	FIT SHEET	
64-25	UU7506001	1	ANTI-STATIC BRUSH 22	
65	LH0405001	1	PANEL SHEET, FAX2600	
65	LH0623001	1	PANEL SHEET, FAX2650	
65	LH0609001	1	PANEL SHEET, FAX2660	
65	LH0545001	1	PANEL SHEET, MFC4300	
65	LH0434001	1	PANEL SHEET, MFC4600 FOR US/CAN/ASA/GUL	
65	LH0672001	1	PANEL SHEET, MFC4600 FOR ARL	
66	LH0443001	1	ADDRESS LABEL, FAX2600/2650/2660	
66	LH0407001	1	ADDRESS LABEL, MFC4300/4600	

REF.NO.	CODE	Q'TY	DESCRIPTION	REMARKS
67	LH7170001	1	OTPROM, FAX2600	
67	LH7139001	1	OTPROM, FAX2650 FOR GUL	
67	LH7146001	1	MASK ROM:4600-A, MFC4300/4600 FOR US/GUL	
67	LH7052001	1	OTPROM, MFC4600 FOR CAN	
67	LH7122001	1	OTPROM, MFC4600 FOR GUL	
67	LH7048006	4	OTPROM FOR ARL	<Eliminated>
67	LH7048027	4	OTPROM FOR NZ	<Eliminated>
67	LH7048040	1	OTPROM FOR HK/ASA	
68	LH7102001	1	MAIN PCB ASSY, FAX2600, FAX2650 FOR GUL	
68	LH7130013	1	MAIN PCB ASSY, FAX2650 FOR HK/ASA	
68	LH7120001	1	MAIN PCB ASSY, MFC4300/4600 FOR US/CAN/GUL	
68	LH7131023	1	MAIN PCB ASSY, MFC4600 FOR ASA	
68	LH7142032	1	MAIN PCB ASSY, FOR ARL/NZ (w/ FLASH)	
69	UG6235012	1	NCU PCB ASSY, FOR US	
69	UG6235002	1	NCU PCB ASSY, FOR CAN/GUL	
69	LG2818002	1	NCU PCB ASSY, FOR ARL	
69	LG2818001	1	NCU PCB ASSY, FOR ARL/NZ	
69	LG2820001	1	NCU PCB ASSY, FOR HK/ASA	
70	LH7115001	1	NCU-MAIN HARNESS	
(70-1)	LH7138001	1	NCU HARNESS FOR ARL/NZ/HK/ASA	
71	LH7129001	1	HIGH-VOLTAGE POWER SUPPLY PCB ASSY	
72	UG4507001	1	HV FLAT CABLE 12	
73	UF6857010	1	HANDSET, GRAY(1495)	
74	LG3077001	1	TELEPHONE LINE CORD, FOR US/CAN	
74	UG1570001	1	TELEPHONE LINE CORD, FOR HK/ASA/GUL	
74	UG3628001	1	TELEPHONE LINE CORD, FOR ARL	
74	UG3290001	1	TELEPHONE LINE CORD, FOR NZ/HK	
75	UU7114005	2	PAPER EJECTION TRAY, GRAY(1495)	
76	UL8019014	1	HANDSET CURLED CORD, GRAY(1455)	
77	UG4558001	1	I/F CABLE, MFC4600	
78	UU7117001	1	DUST COVER FOR ARL/NZ	
79	----		NOT USED	
80	----		NOT USED	
(81)	LH0408001	1	OWNER'S MANUAL ASSY, FAX2600 FOR USA (INCLUDING OPERATIONS MANUAL(REF.NO.(81-1)), WARRANTY CARD, REORDER FORM AND TRAY EXTENSION (REF.NO.81-2))	
(81)	LH0549001	1	OWNER'S MANUAL ASSY, MFC4300 FOR USA (INCLUDING OPERATIONS MANUAL(REF.NO.(81-1)), WARRANTY CARD, REORDER FORM, TRAY EXTENSION (REF.NO.81-2) AND MFL MANUAL(REF.No.(81-3)))	
(81)	LH0435001	1	OWNER'S MANUAL ASSY, MFC4600 FOR USA (INCLUDING OPERATIONS MANUAL (REF.NO.(81-1)), WARRANTY CARD, REORDER FORM, TRAY EXTENSION (REF.NO.81-2) AND MFL MANUAL(REF. No.(81-3)))	
(81)	LH0491001	1	OWNER'S MANUAL ASSY, FAX2600 FOR CAN (INCLUDING 2 OPERATIONS MANUALS(REF.NO.(81-1)), WARRANTY CARD, REORDER FORM, TRAY EXTENSION (REF.NO.81-2) AND PANEL SHEET(REF.NO.81-4))	
(81)	LH0615001	1	OWNER'S MANUAL ASSY, MFC4600 FOR CAN (INCLUDING 2 OPERATIONS MANUALS (REF.NO.(81-1)), WARRANTY CARD, REORDER FORM, TRAY EXTENSION (REF.NO.81-2), 2 MFL MANUALS(REF. No.(81-3)), AND PANEL SHEET(REF.NO.(81-4))	
(81)	LH0610001	1	OWNER'S MANUAL ASSY, FAX2660 FOR ARL (INCLUDING OPERATIONS MANUAL(REF.NO.(81-1)), AND TRAY EXTENSION (REF.NO.81-2))	
(81)	LH0636001	1	OWNER'S MANUAL ASSY, MFC4600 FOR ARL	

REF.NO.	CODE	Q'TY	DESCRIPTION	REMARKS
			(INCLUDING OPERATIONS MANUAL (REF.NO.(81-1)), LICENSE GUIDE, TRAY EXTENSION(REF.NO.81-2), AND MFL MANUAL(REF. No.(81-3)))	
(81)	LH0621001	1	OWNER'S MANUAL ASSY, FAX2660 FOR NZ (INCLUDING OPERATIONS MANUAL(REF.NO.(81-1)), WARRANTY CARD AND TRAY EXTENSION (REF.NO.81-2))	
(81)	LH0629001	1	OWNER'S MANUAL ASSY, FAX2650 FOR HK/ASA (INCLUDING OPERATIONS MANUAL(REF.NO.(81-1)), QUICK REFERENCE GUIDE AND TRAY EXTENSION (REF.NO.81-2))	
(81)	LH0642001	1	OWNER'S MANUAL ASSY, MFC4600 FOR ASA (INCLUDING OPERATIONS MANUAL (REF.NO.(81-1)), LICENSE GUIDE, TRAY EXTENSION(REF.NO.81-2), QUICK REFERENCE GUIDE AND MFL MANUAL(REF. No.(81-3)))	
(81)	LH0624001	1	OWNER'S MANUAL ASSY, FAX2650 FOR GUL (INCLUDING 2 OPERATIONS MANUALs(REF.NO.(81-1)), QUICK REFERENCE GUIDE AND TRAY EXTENSION (REF.NO.81-2))	
(81)	LH0640001	1	OWNER'S MANUAL ASSY, MFC4600 FOR GUL (INCLUDING 2 OPERATIONS MANUALS (REF.NO.(81-1)), LICENSE GUIDE, TRAY EXTENSION(REF.NO.81-2), QUICK REFERENCE GUIDE AND MFL MANUAL(REF. No.(81-3)))	
(81-1)	LH0409001	1	OPERATIONS MANUAL, FAX2600/MFC4600 FOR USA/CAN (ENGLISH)	
(81-1)	LH0550001	1	OPERATIONS MANUAL, MFC4300 FOR USA	
(81-1)	LH0492001	1	OPERATIONS MANUAL FOR CAN (FRENCH)	
(81-1)	LH0409006	1	OPERATIONS MANUAL FOR ARL	
(81-1)	LH0409027	1	OPERATIONS MANUAL FOR NZ	
(81-1)	LH0409040	1	OPERATIONS MANUAL FOR HK/ASA/GUL (ENGLISH)	
(81-1)	LH0409041	1	OPERATIONS MANUAL FOR GUL (ARABIC)	
81-2	UL6856000	2	TRAY EXTENSION	
(81-3)	LH0550001	4	MFL MANUAL, MFC4300	
(81-3)	LH0436001	1	MFL MANUAL, MFC4600 FOR USA/CAN (ENGLISH)	
(81-3)	LH0616001	1	MFL MANUAL, MFC4600 FOR CAN (FRENCH)	
(81-3)	LH0637001	1	MFL MANUAL, MFC4600 FOR ARL/ASA/GUL	
(81-4)	LH0426001	1	PANEL SHEET FOR CAN	
(82)	LH0546001	1	CD-ROM ASSY, MFC4300	
(82)	LH0439001	1	CD-ROM ASSY, MFC4600	
(82)	LH0673001	1	CD-ROM ASSY, FAX2660 FOR NZ	
(83)	----		NOT USED	
(84)	LH0466001	1	CARTON, BROTHER, FAX2600 FOR USA	
(84)	LH0551001	1	CARTON, BROTHER, MFC4300	
(84)	LH0468001	1	CARTON, BROTHER, MFC4600 FOR USA	
(84)	LH0493001	1	CARTON, BROTHER, FAX2600 FOR CAN	
(84)	LH0617001	1	CARTON, BROTHER, MFC4600 FOR CAN	
(84)	LH0418001	1	CARTON, BROTHER, FAX2660 FOR ARL/NZ	
(84)	LH0638001	1	CARTON, BROTHER, MFC4600 FOR ARL	
(84)	LH0663001	1	CARTON, BROTHER, FAX2650 FOR HK/ASA/GUL	
(84)	LH0666001	1	CARTON, BROTHER, MFC4600 FOR ASA/GUL	
(85)	LH0041001	1	STYROFOAM ASSY	
(86)	UE2136001	1	BAG, 700X1000H (FOR MACHINE)	
(87)	UL7932001	1	PROCESS BAG 400X480	
(88)	UU0456001	1	PROTECTION PAPER	
(89)	----		NOT USED	
90	UG4606001	1	AC CORD ASSY FOR ARL/NZ	
90	UG4576001	1	AC CORD ASSY FOR HK/ASA	
90	UG4575001	1	AC CORD ASSY FOR GUL	
91-99	----		NOT USED	
(102)	UG3468000	1	BT-MJ ADAPTER FOR HK	



1.SCANNER FRAME ATTACHMENT

REF.NO.	CODE	Q'TY	DESCRIPTION	REMARKS
1	UU7002001	1	SCANNER FRAME	
2	UU7012001	1	CIS SIDE SPRING	
3	LH0393001	1	SCANNER DRIVE UNIT	
3-1	UU7490001	1	SCANNER MOTOR	
3-2	0A4300605	1	SCREW, PAN (S/P WASHER) M3X6	
4	UU7029001	1	SCANNER GROUNDING LEAF SPRING	
5	087320616	1	TAPTITE, CUP S M3X6	
6	UU7030001	1	SEPARATION ROLLER GEAR	
7	UU7031001	1	SEPARATION ROLLER	
8	087310815	1	TAPTITE, CUP B M3X8	
9	UF4369000	1	PINCH ROLLER SHAFT	
10	UL6244002	2	PINCH ROLLER	
11	UU7032001	2	PRESSURE ROLLER LEAF SPRING	
12	UF4369000	1	PRESSURE ROLLER SHAFT	
13	UF9009001	2	PRESSURE ROLLER	
14	UU7033001	1	PINCH ROLLER LEAF SPRING	
15	087310815	1	TAPTITE, CUP B M3X8	
16	087320616	1	TAPTITE, CUP S M3X6	
17	UG4595001	1	GROUNDING WIRE	
18	UU7364001	1	ROLLER FILM	
19	LH7116001	1	CIS UNIT	
20	UU7035001	2	CIS LEAF SPRING	
21	UU7036001	1	CIS FILM	
22	UU7037001	1	DOCUMENT FEED ROLLER	
23	UU7039001	2	GEAR 27	
24	UU7284001	2	BEARING 6	
25	UU7040001	1	DOCUMENT EJECTION ROLLER	
26	UF7187001	1	SHIELD FILM	
27	UU7013001	2	CONTROL PANEL LOCK (LEAF SPRING)	
28	087310815	2	TAPTITE, CUP B M3X8	
29	UG4501001	1	SCANNER MOTOR HARNESS	
30	087311016	1	TAPTITE, CUP B M3X10	

brother®