



FACSIMILE EQUIPMENT

PARTS REFERENCE LIST

**MODEL: FAX560 / FAX580MC / MFC660MC
FAX560A (For U.S.A. / Canada /
Argentina / Chile / Brazil / Mexico)**

© Copyright Brother 2000

All rights reserved

No part of this publication may be reproduced in any form
or by any means without permission in writing from the
publisher.

Specifications are subject to change without prior notice.

NOTES FOR USING THIS PARTS REFERENCE LIST

1. In the case of ordering parts, it needs mentioning the following items:

- (1) Code
- (2) Q' ty
- (3) Description

Note: No orders without Parts Code or Tool No. can be accepted.

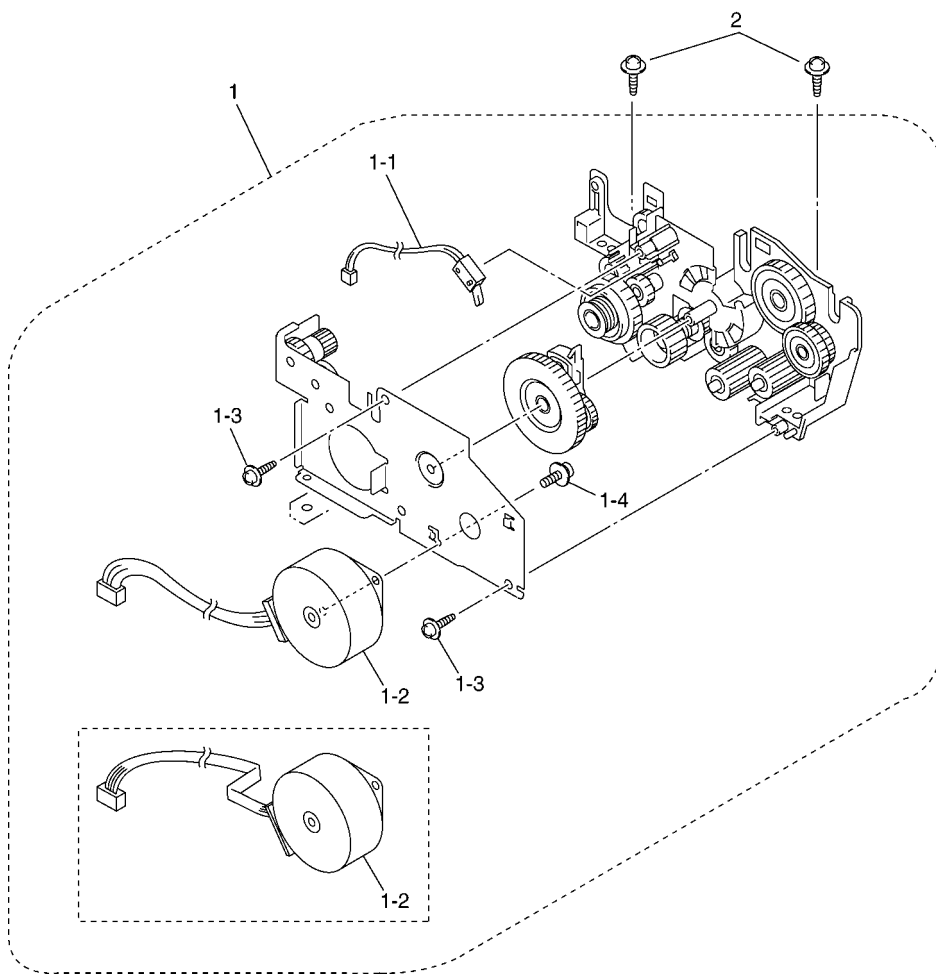
[Example]

REF.NO.	CODE	Q' TY	DESCRIPTION	REMARKS

2. Parts change will be informed by the technical information.

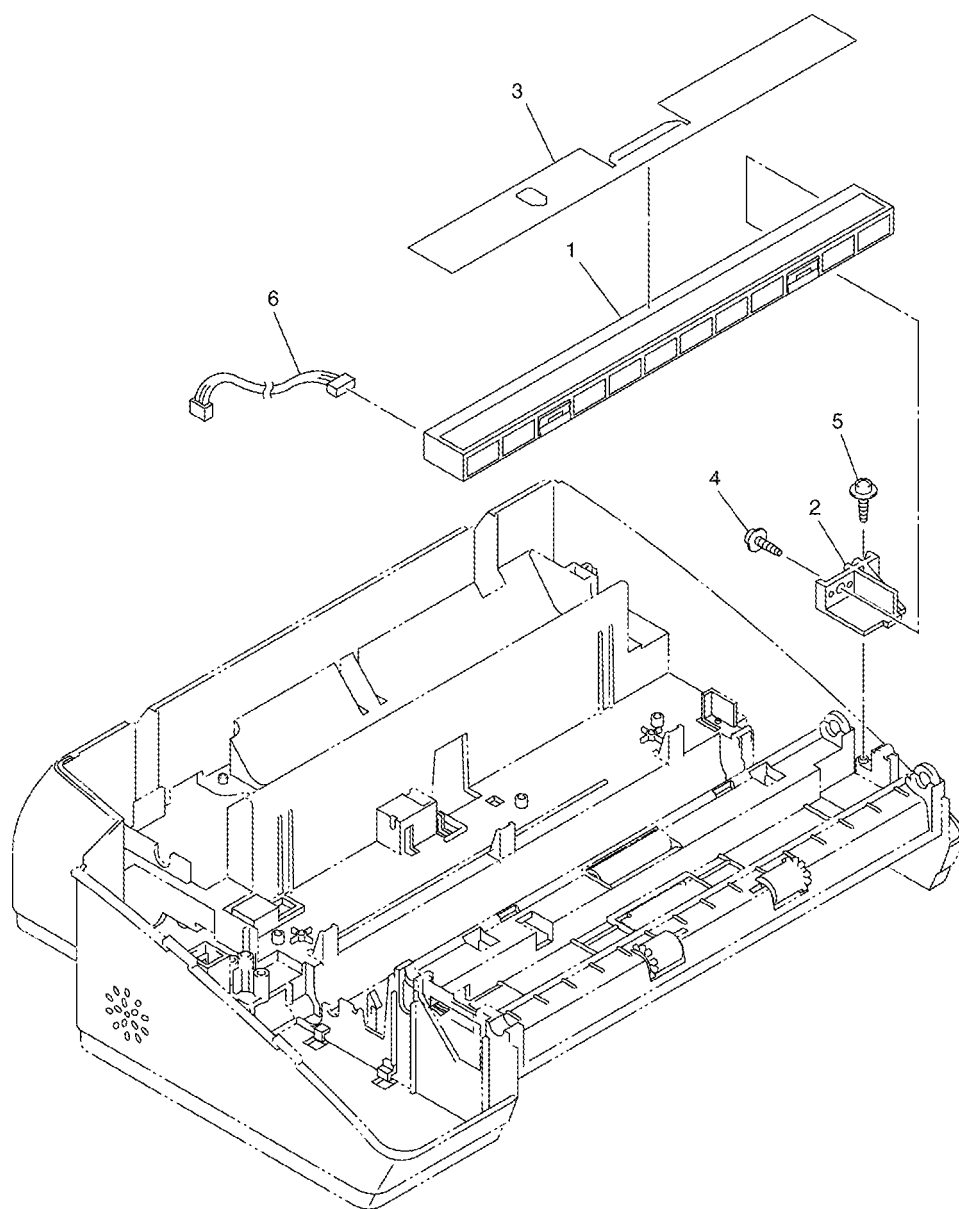
COUNTRIES

U.S.A. ---- USA
CANADA ---- CAN
ARGENTINA ---- ARG
CHILE ---- CHL
BRAZIL ---- BRA
MEXICO ---- MEX



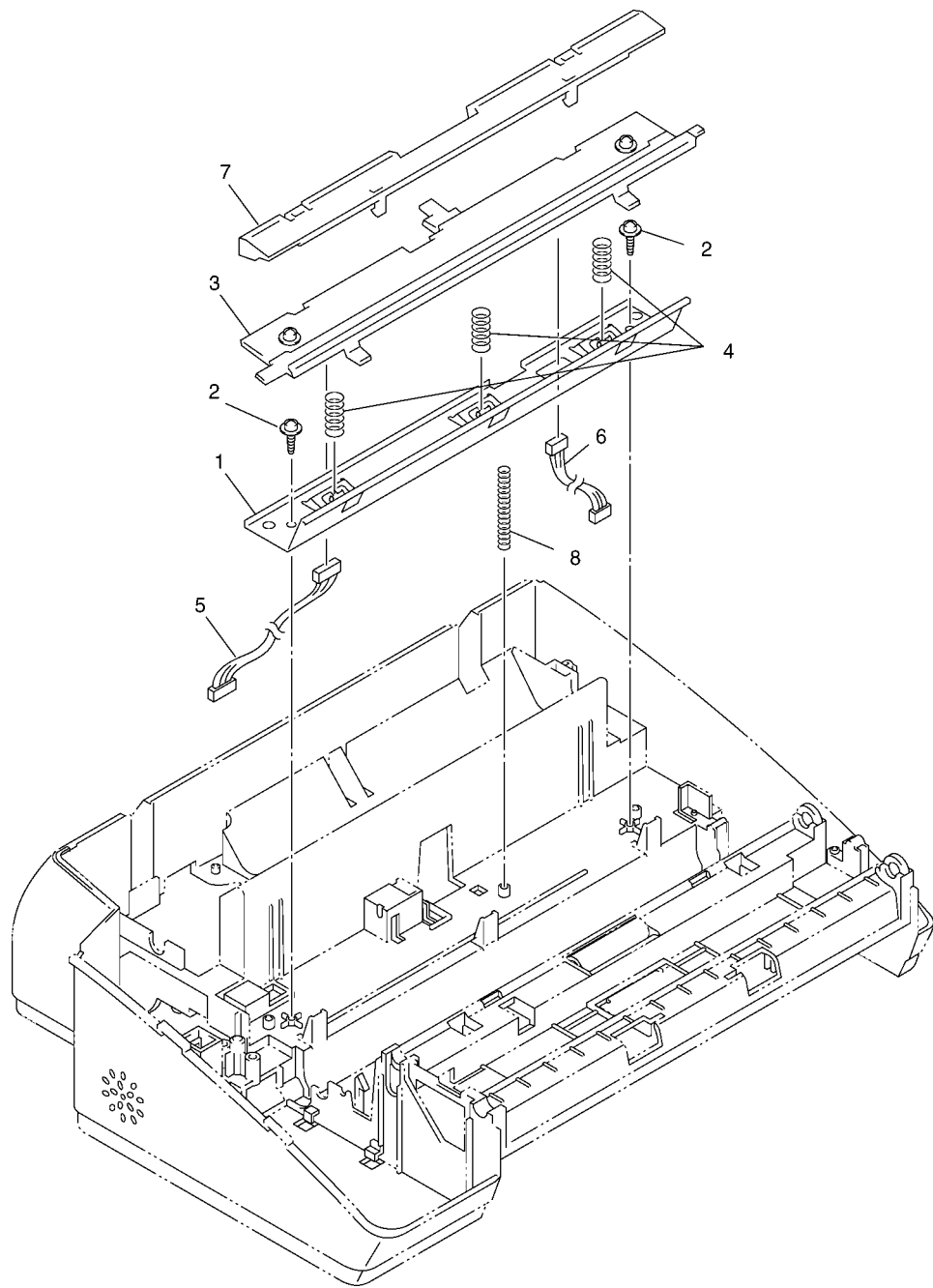
LIST1(DRIVING)

REF No.	CODE	Q'TY	DESCRIPTION	REMARKS
*1	LE4001001	1	DRIVE UNIT [FOR THE EARLY LOT]	
*1	LE5262001	1	DRIVE UNIT [FOR THE LATER LOT]	
1-1	LG2581001	1	ARM HP SWITCH ASSY	
1-2	LE4028001	1	MOTOR	
1-3	087310815	2	TAPTITE, CUP B M3X8	
1-4	U09759001	1	SCREW,PAN(S/P WASHER)M3X6	
(1-5)	LE5629001	1	PLANETARY GEAR SUPPLY ASSY	
2	087311016	2	TAPTITE, CUP B M3X10	



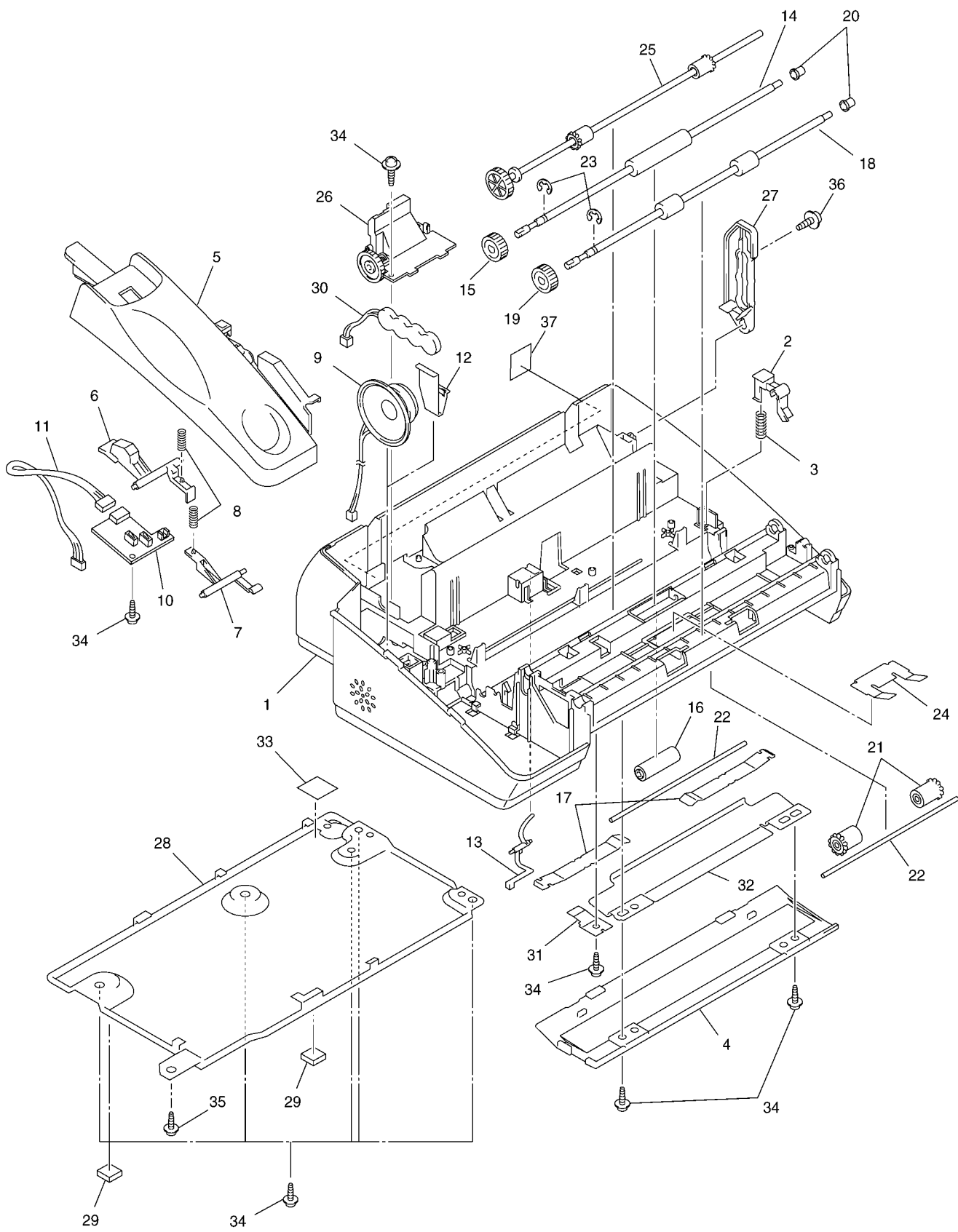
LIST2(SCANNING)

REF No.	CODE	Q'TY	DESCRIPTION	REMARKS
1	LG2629001	1	CIS UNIT	
2	LE4029001	1	CIS HOLDER	
3	LE4030001	1	CIS FILM	
4	085310815	1	TAPTITE, BIND B M3X8	
5	087310815	1	TAPTITE, CUP B M3X8	
6	LG2557001	1	CIS-MAIN HARNESS	



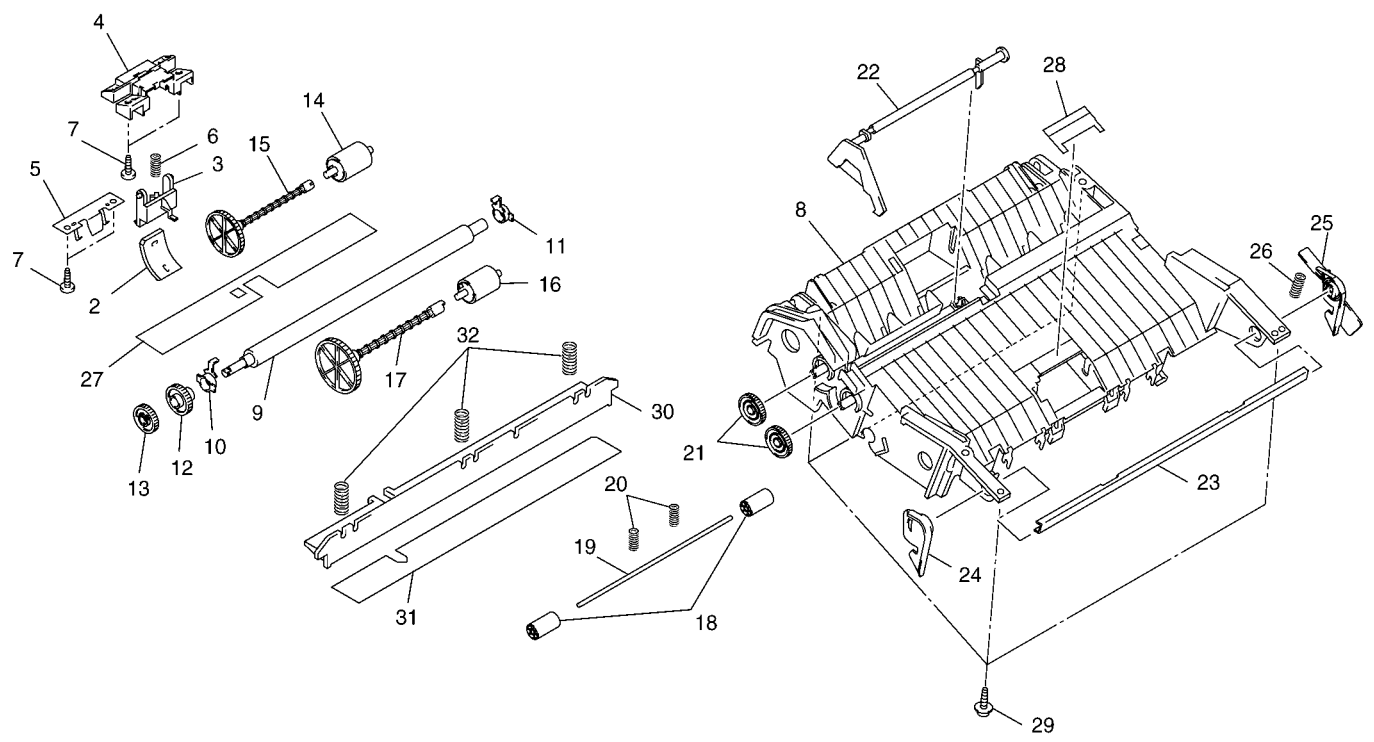
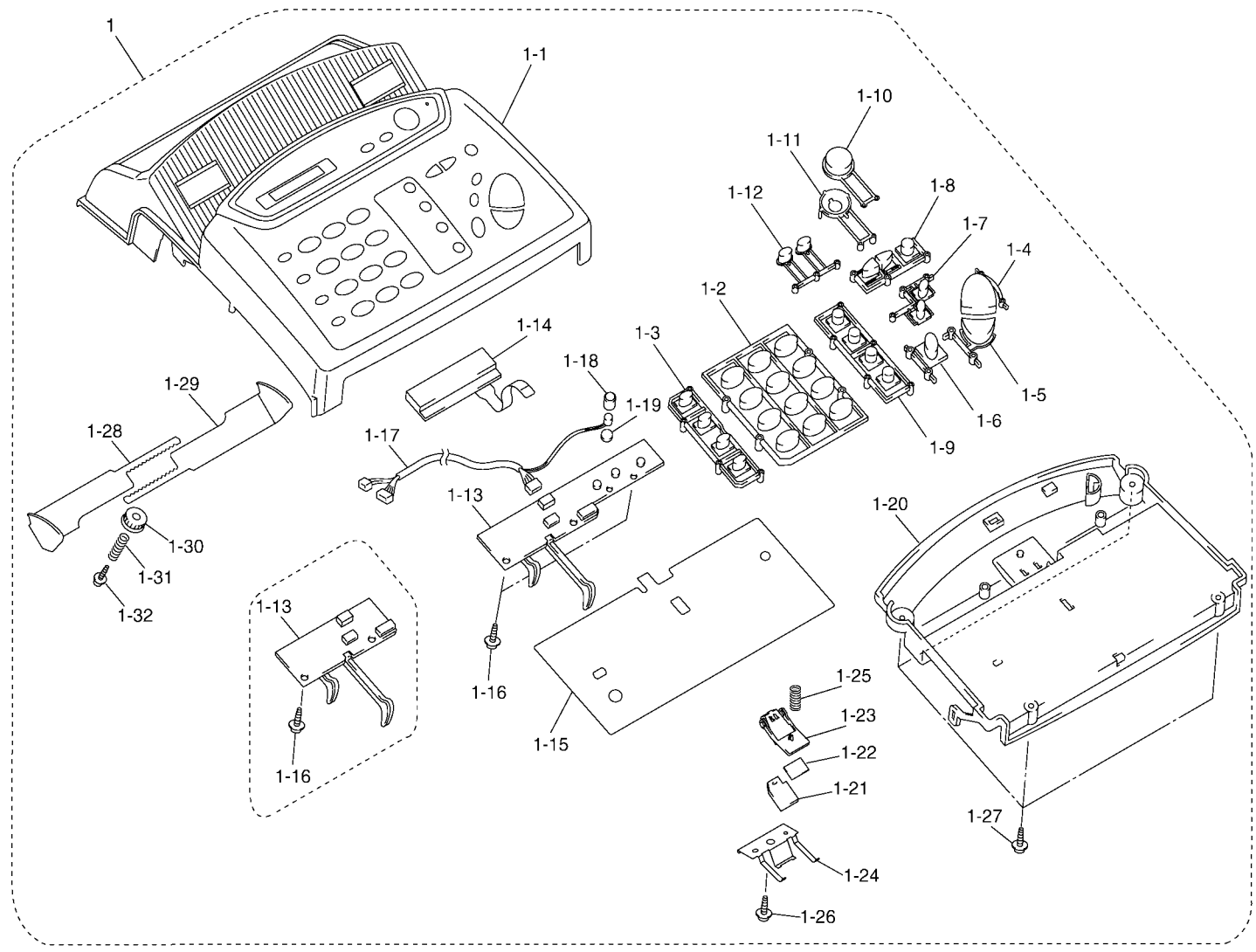
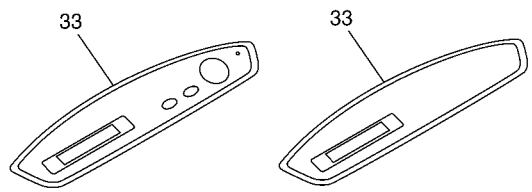
LIST3(RECORDING)

REF No.	CODE	Q'TY	DESCRIPTION	REMARKS
1	LE4031001	1	RECORDER FRAME	
2	087310815	2	TAPTITE, CUP B M3X8	
3	UF9852001	1	RECORDING HEAD ASSY	
4	UF8072001	3	HEAD SPRING	
5	LG2558001	1	MAIN-HEAD HARNESS	
6	LG2559001	1	HEAD-POWER HARNESS	
7	UF9856001	1	HEAD PROTECTOR	
8	LE4034001	1	GROUNDING SPRING	



LIST4(COVER)

REF No.	CODE	Q'TY	DESCRIPTION	REMARKS
1	LE4035001	1	MAIN FRAME, FAX560	
1	LE4156001	1	MAIN FRAME, FAX580MC/MFC660MC	
2	LE4036001	1	RIBBON SHAFT STOPPER	
3	LE4037001	1	RIBBON STOPPER SPRING	
4	LE4038001	1	LOWER COVER	
5	LE4039001	1	HANDSET MOUNT, FAX560/580MC	
5	LE4039002	1	HANDSET MOUNT, MFC660MC	
6	LE4040001	1	HOOK SWITCH ACTUATOR	
7	LE4041001	1	COVER SENSOR ACTUATOR	
8	LE4042001	2	ACTUATOR SPRING	
9	LG2630001	1	SPEAKER	
10	LG2576001	1	SENSOR PCB ASSY	
11	LG2560001	1	SENSOR-MAIN HARNESS	
12	UF9847001	1	SPEAKER SUPPORT SPRING	
13	LE4043001	1	RIBBON SENSOR ACTUATOR	
14	LE4044001	1	DOCUMENT LF ROLLER	
15	LE4047001	1	GEAR, 23	
16	LE4501001	1	DOCUMENT PINCH ROLLER	
17	LE4048001	2	PINCH ROLLER SPRING	
18	LE4049001	1	DOCUMENT EJECTION ROLLER ASSY	
19	LE4047001	1	GEAR, 23	
20	UF9949001	2	ROLLER BUSHING	
21	UL6244002	2	DOCUMENTPRESSURE ROLLER	
22	UF6267000	2	PRESSURE ROLLER SHAFT	
23	048050346	2	RETAINING RING	
24	LE4051001	1	DOCUMENT PRESSURE ROLLER SPRING	
25	LE4052001	1	PAPER EJECTION ROLLER	
26	LE4054001	1	ROM COVER	
27	LE4061001	1	COVER STOPPER LINK	
28	LE4062001	1	BOTTOM PLATE	
29	UF6761001	2	RUBBER FOOT	
30	LG2861001	1	BATTERY ASSY, FAX580MC/MFC660MC	
31	LE4204001	1	CIS SPRING	
32	LE4205001	1	SUPPORT PLATE	
33	LE4214001	1	INSULATION SHEET	
34	087310815	10	TAPTITE, CUP B M3X8	
35	U24014002	1	TAPTITE, CUP S M3.0X6	
36	LE4199001	1	TAPTITE, PAN B M4X6D10	
37	LE0542001	1	PCIF FILM, FAX580MC	

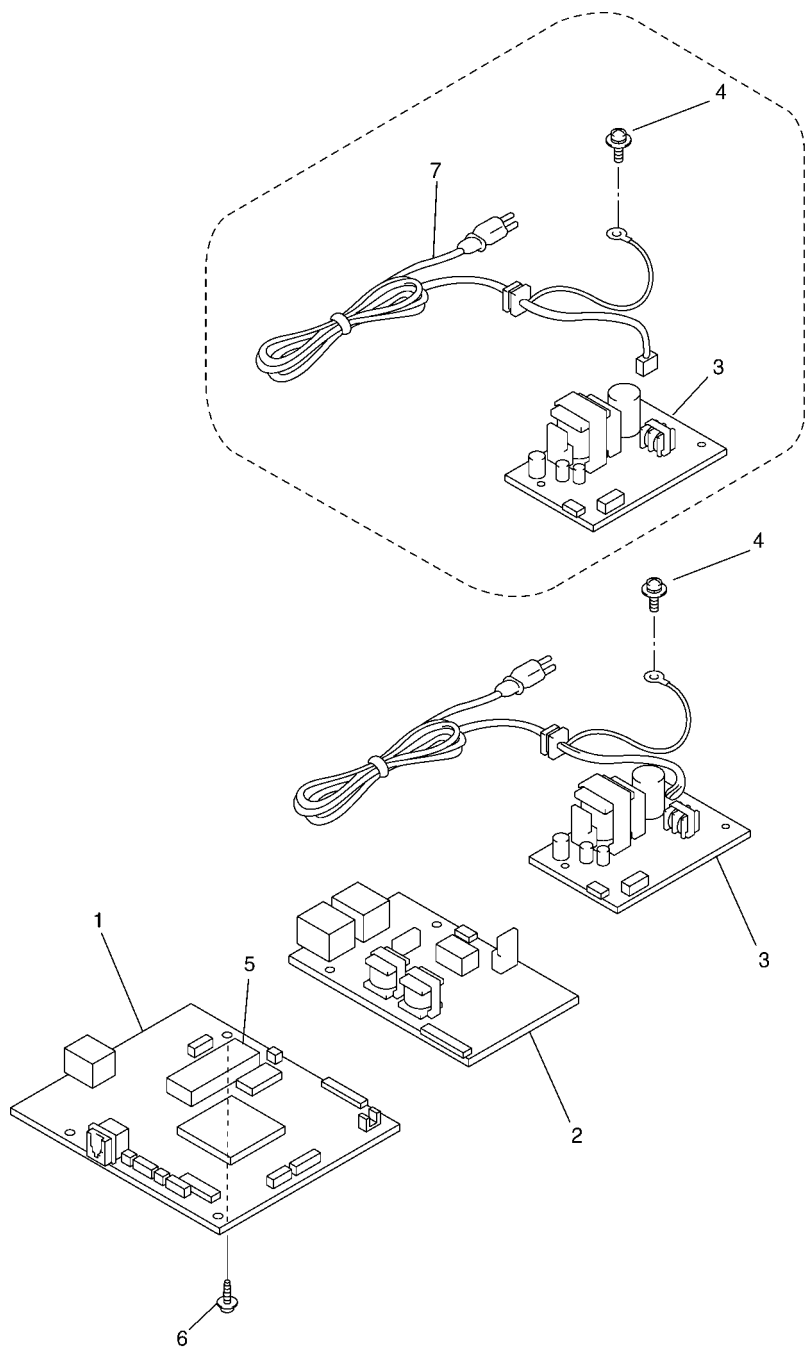


LIST5(CONTROL PANEL)

REF No.	CODE	Q'TY	DESCRIPTION	REMARKS
1	LE4069001	1	CONTROL PANEL ASSY, WHITE(1485), FAX560 FOR USA/CAN	
1	LE5627002	1	CONTROL PANEL ASSY, WHITE(1485), FAX560A FOR USA	
1	LE4162001	1	CONTROL PANEL ASSY, WHITE(1485), FAX580MC FOR USA/CAN	
1	LE4162002	1	CONTROL PANEL ASSY, GRAY(1495), MFC660MC FOR USA	
1	LE4270001	1	CONTROL PANEL ASSY, WHITE(1485), FAX560 FOR ARG/CHL/MEX	
1	LE4293001	1	CONTROL PANEL ASSY, WHITE(1485), FAX580MC FOR ARG	
1	LE4277001	1	CONTROL PANEL ASSY, WHITE(1485), FAX560 FOR BRA	
1	LE4293002	1	CONTROL PANEL ASSY, GRAY(1495), MFC660MC FOR MEX	
1-1	LE4071001	1	PRINTED PANEL COVER, WHITE(1485), FAX560 FOR USA/CAN	
1-1	LE4164001	1	PRINTED PANEL COVER, WHITE(1485), FAX580MC FOR USA/CAN	
1-1	LE4164002	1	PRINTED PANEL COVER, GRAY(1495), MFC660MC FOR USA	
1-1	LE4272001	1	PRINTED PANEL COVER, WHITE(1485), FAX560 FOR ARG/CHL/MEX	
1-1	LE4295001	1	PRINTED PANEL COVER, WHITE(1485), FAX580MC FOR ARG	
1-1	LE4279001	1	PRINTED PANEL COVER, WHITE(1485), FAX560 FOR BRA	
1-1	LE4295002	1	PRINTED PANEL COVER, GRAY(1495), MFC660MC FOR MEX	
1-2	LE4073001	1	KEY, TEN, WHITE(1485), FAX560/580MC	
1-2	LE4073003	1	KEY, TEN, GRAY(1495), MFC660MC	
1-3	LE4146001	1	KEY, REDIAL, WHITE(1485), FAX560/580MC	
1-3	LE4146002	1	KEY, REDIAL, GRAY(1495), MFC660MC	
1-4	LE4074001	1	KEY, START, PURPLE(6255)	
1-5	LE4075001	1	KEY, COPY, WHITE(1485), FAX560/580MC	
1-5	LE4075002	1	KEY, COPY, GRAY(1495), MFC660MC	
1-6	LE4076001	1	KEY, STOP, PINK(2205)	
1-7	LE4077001	1	KEY, MODE, WHITE(1485), FAX560/580MC	
1-7	LE4077002	1	KEY, MODE, GRAY(1495), MFC660MC	
1-8	LE4078001	1	KEY, FUNCTION, PURPLE(6255)	
1-9	LE4079001	1	KEY, ONE TOUCH, WHITE(1485), FAX560/580MC	
1-9	LE4079002	1	KEY, ONE TOUCH, GRAY(1495), MFC660MC	
1-10	LE4165001	1	KEY, PRINTED FLASH, FAX580MC/MFC660MC	
1-11	LE4150001	1	FLASH KEY SUPPORTER, FAX580MC/MFC660MC	
1-12	LE4151001	1	KEY, REP, GRAY(1509), FAX580MC	
1-12	LE4151002	1	KEY, REP, BL(6314), MFC660MC	
1-13	LG2561001	1	CONTROL PANEL PCB ASSY, FAX560	
1-13	LG3549002	1	CONTROL PANEL PCB ASSY, FAX560A	
1-13	LG2585001	1	CONTROL PANEL PCB ASSY, FAX580MC/MFC660MC	
1-14	LG2567001	1	LCD	
1-15	LG2568001	1	FPC KEY	
1-16	087310815	2	TAPTITE, CUP B M3X8, FAX580MC/MFC660MC	
1-16	087310815	1	TAPTITE, CUP B M3X8, FAX560	
1-17	LG2569001	1	PANEL MAIN HARNESS, FAX560	
1-17	LG2580001	1	PANEL MAIN HARNESS, FAX580MC/MFC660MC (W/ MICROPHONE)	
1-18	UF6916001	1	MIC COVER, FAX580MC/MFC660MC	
1-19	UF9993001	1	MIC RUBBER, FAX580MC/MFC660MC	
1-20	LE4081001	1	PANEL REAR COVER	
1-21	LE4082001	1	ADF SEPARATION RUBBER	
1-22	LE4190001	1	SEPARATION RUBBER FILM	
1-23	LE4083001	1	ADF HOLDER	
1-24	LE4084001	1	ADF SPRING PLATE	
1-25	LE4085001	1	ADF SPRING	
1-26	UF6116001	1	TAPTITE, PAN B M3X6	
1-27	087310815	4	TAPTITE, CUP B M3X8	
1-28	LE4090001	1	DOCUMENT GUIDE B-L, WHITE(1485), FAX560/580MC	
1-28	LE4090002	1	DOCUMENT GUIDE B-L, GRAY(1495), MFC660MC	
1-29	LE4091001	1	DOCUMENT GUIDE B-R, WHITE(1485), FAX560/580MC	
1-29	LE4091002	1	DOCUMENT GUIDE B-R, GRAY(1495), MFC660MC	
1-30	UF4417000	1	GUIDE GEAR	

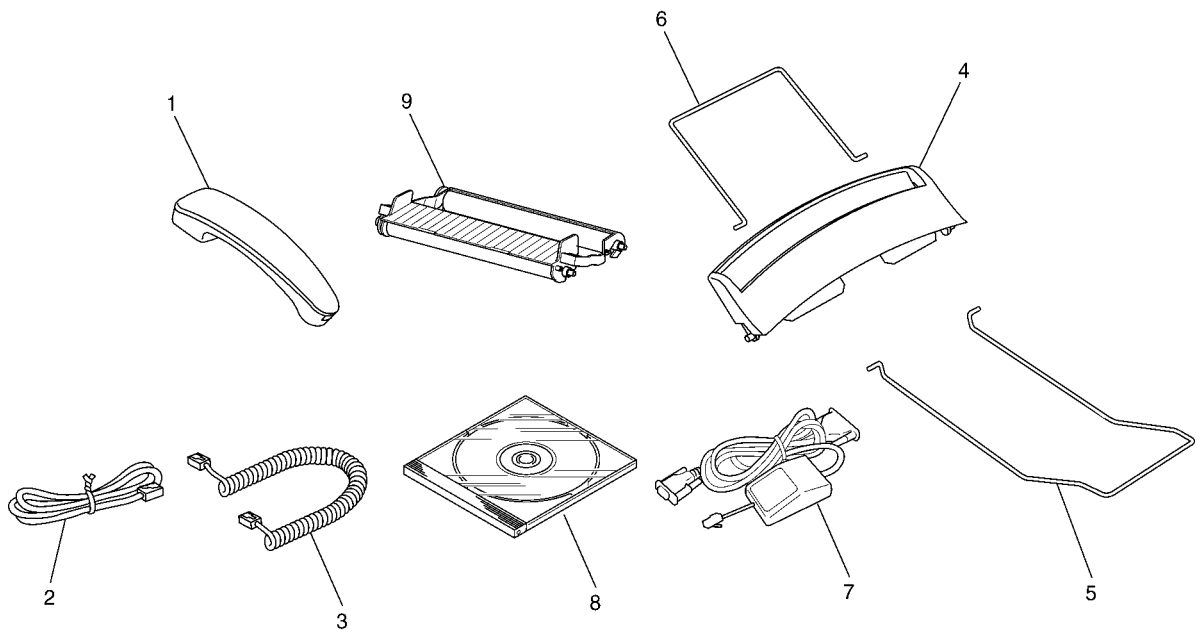
LIST5(CONTROL PANEL)

REF No.	CODE	Q'TY	DESCRIPTION	REMARKS
1-31	UF4418001	1	SPRING, COMPRESSION	
1-32	UF6116001	1	TAPTITE, PAN B M3X6	
2	LE4092001	1	ACF SEPARATION RUBBER	
3	LE4093001	1	ACF PLATE	
4	LE4094001	1	ACF HOLDER	
5	LE4187001	1	ACF LEAF SPRING	
6	LE4096001	1	ACF SPRING	
7	085310815	4	TAPTITE, BIND B M3X8	
8	LE4098001	1	CHUTE COVER, WHITE(1485)	
9	LE4102001	1	PLATEN	
10	LE4104001	1	PLATEN SHAFT BUSHING L, (BLACK)	
11	LE4105001	1	PLATEN SHAFT BUSHING R, (WHITE)	
12	LE4111001	1	GEAR, 24	
13	LE4047001	1	GEAR, 23	
14	LE4106001	1	PAPER FEED ROLLER 32	
15	LE4108001	1	PAPER FEED ROLLER GEAR 37	
16	UF6613001	1	SEPARATION ROLLER	
17	LE4109001	1	SEPARATION ROLLER GEAR 46	
18	LE4147001	2	PAPER PRESSURE ROLLER	
19	LE4110001	1	PRESSURE ROLLER SHAFT	
20	UF9781001	2	PRESSURE ROLLER SPRING	
21	LE4012001	2	GEAR, 32	
22	LE4099001	1	REGISTRATION SENSOR ACTUATOR	
23	LE4113001	1	LOCK BAR	
24	LE4114001	1	LOCK LEVER L	
25	LE4115001	1	LOCK LEVER R, GRAY(1473),	
26	LE4373001	1	LOCK SPRING	
27	LE4117001	1	CHUTE FILM	
28	LE4203001	1	ADF FILM	
29	087310815	4	TAPTITE, CUP B M3X8	
30	LE4087001	1	DOCUMENT PRESSURE BAR	
31	LE4088001	1	WHITE FILM	
32	UF9781001	3	SPRING	
33	LE4118001	1	LCD SHEET, FAX560 FOR USA/CAN	
33	LE4166001	1	LCD SHEET, FAX580MC FOR USA/CAN	
33	LE4172001	1	LCD SHEET, MFC660MC FOR USA	
33	LE4273001	1	LCD SHEET, FAX560 FOR ARG/CHL/MEX	
33	LE4296001	1	LCD SHEET, FAX580MC FOR ARG	
33	LE4280001	1	LCD SHEET, FAX560 FOR BRA	
33	LE4304001	1	LCD SHEET, MFC660MC FOR MEX	



LIST6(PCB)

REF No.	CODE	Q'TY	DESCRIPTION	REMARKS
1	LG2572001	1	MAIN PCB ASSY, FAX560	
1	LG3088001	1	MAIN PCB ASSY, FAX560A	
1	LG2671011	1	MAIN PCB ASSY, FAX580MC/MFC660MC	
2	LG2586001	1	NCU PCB ASSY, FAX560 USA	
2	LG3090001	1	NCU PCB ASSY, FAX560A USA	
2	LG2586011	1	NCU PCB ASSY, FAX580MC/MFC660MC FOR USA	
2	LG2586002	1	NCU PCB ASSY, FAX560 FOR CAN/ARG/CHL/BRA/MEX	
2	LG2586012	1	NCU PCB ASSY, FAX580MC/MFC660MC FOR CAN/ARG/MEX	
3	LG2574001	1	POWER SUPPLY PCB ASSY FOR USA/CAN/BRA/MEX (INCLUDING AC CORD)	
3	LG2840031	1	POWER SUPPLY PCB ASSY FOR ARG (INCLUDING AC CORD)	
3	LG2840035	1	POWER SUPPLY PCB ASSY FOR CHL (INCLUDING AC CORD)	
4	UF4444001	1	SCREW, PAN(P WASHER) M4X6	
*5	LG0121001	1	MASK ROM, FAX560 FOR USA/CAN	
*5	LG0225001	1	MASK ROM, FAX560 FOR USA/CAN [FOR NEW DRIVE UNIT]	
*5	LG0130031	1	OTPROM, FAX560 FOR ARG/CHL/MEX	
*5	LG0237031	1	OTPROM, FAX560 FOR ARG/CHL/MEX [FOR NEW DRIVE UNIT]	
*5	LG0132042	1	OTPROM, FAX560 FOR BRA	
*5	LG0239042	1	OTPROM, FAX560 FOR BRA [FOR NEW DRIVE UNIT]	
*5	LG0100001	1	MASK ROM, FAX580/MFC660MC FOR USA/CAN	
*5	LG0226001	1	MASK ROM, FAX580/MFC660MC FOR USA/CAN [FOR NEW DRIVE UNIT]	
5	LG0134031	1	OTPROM, FAX580/MFC660MC FOR ARG/MEX	
5	LG0251031	1	OTPROM, FAX580/MFC660MC FOR ARG/MEX [FOR NEW DRIVE UNIT]	
6	087310815	1	TAPTITE, CUP B M3X8	
7	----		NOT USED	



LIST7(Accessories)

REF No.	CODE	Q'TY	DESCRIPTION	REMARKS
1	LE0446010	1	HANDSET ASSY, FAX560/580MC	
1	LE0446011	1	HANDSET ASSY, MFC660MC	
2	LG3077001	1	TELEPHONE LINE CORD FOR USA/CAN/ARG/CHL/BRA/MEX	
2	UG1570004	4	TELEPHONE LINE CORD FOR ARG/CHL/BRA/MEX	
3	UG3543009	1	HANDSET CURLED CORD ASSY, FAX560/580MC	
3	UG3543011	1	HANDSET CURLED CORD ASSY, MFC660MC	
4	LE4126004	4	PAPER TRAY ASSY, FOR USA	<Eliminated>
4	LE4325001	1	PAPER TRAY ASSY, FOR CAN/ARG/CHL/BRA/MEX	
5	LE4129001	1	EJECTION WIRE	
6	UF9869001	1	PAPER SUPPORT WIRE	
7	UU0039001	1	MFL PC I/F ASSY, MFC660MC	
8	UU0041004	4	MFL CD ROM ASSY, MFC660MC FOR USA	<Eliminated>
8	LE4502001	1	MFL CD ROM ASSY, MFC660MC FOR MEX	
9	LE4120001	1	PRINTING CARTRIDGE	
(9-1)	LE4121001	1	PRINTING CARTRIDGE FRAME	
(9-2)	LE4143001	1	REFILL ROLL (10M)	

LIST8(PRINTED MATERIAL)

REF No.	CODE	Q'TY	DESCRIPTION	REMARKS
(1)	LE4130001	1	OWNER'S MANUAL ASSY, FAX560 FOR USA (INCLUDING OWNER'S MANUAL(REF No.(1-1)), WARRANTY CARD, REORDER FORM, ADDRESS LABEL (REF No.(1-2)), CALL MANAGE SHEET)	
(1)	LE4167001	1	OWNER'S MANUAL ASSY, FAX580MC FOR USA (INCLUDING OWNER'S MANUAL(REF No.(1-1)), WARRANTY CARD, REORDER FORM, ADDRESS LABEL (REF No.(1-2)),)	
(1)	LE4209001	1	OWNER'S MANUAL ASSY, MFC660MC FOR USA (INCLUDING OWNER'S MANUAL(REF No.(1-1)), WARRANTY CARD, REORDER FORM, LICENSE GUIDE, ADDRESS LABEL (REF No.(1-2)))	
(1)	LE4262002	1	OWNER'S MANUAL ASSY, FAX560 FOR CAN (INCLUDING OWNER'S MANUALS(REF No.(1-1)), WARRANTY CARD, REORDER FORM, PANEL STICKER, ADDRESS LABEL (REF No.(1-2)))	
(1)	LE4636002	1	OWNER'S MANUAL ASSY, FAX580MC FOR CAN (INCLUDING OWNER'S MANUALS(REF No.(1-1)), WARRANTY CARD, REORDER FORM, PANEL STICKER, ADDRESS LABEL (REF No.(1-2)))	
(1)	LE4282046	1	OWNER'S MANUAL ASSY, FAX560 FOR MEX (INCLUDING OWNER'S MANUAL(REF No.(1-1)), ADDRESS LABEL (REF No.(1-2)),	
(1)	LE4305046	1	OWNER'S MANUAL ASSY, FAX660MC FOR MEX (INCLUDING OWNER'S MANUAL(REF No.(1-1)), ADDRESS LABEL (REF No.(1-2)),	
(1-1)	LE4131001	1	OWNER'S MANUAL, FAX560 FOR USA	
(1-1)	LE4171001	1	OWNER'S MANUAL, FAX580MC/MFC660MC FOR USA	
(1-1)	LE4263001	1	OWNER'S MANUAL, FAX560 FOR CAN(ENGLISH)	
(1-1)	LE4264001	1	OWNER'S MANUAL, FAX560 FOR CAN (FRENCH)	
(1-1)	LE4637001	1	OWNER'S MANUAL, FAX580MC FOR CAN(ENGLISH)	
(1-1)	LE4638001	1	OWNER'S MANUAL, FAX580MC FOR CAN (FRENCH)	
(1-1)	LE4283001	1	OWNER'S MANUAL, FAX560 FOR MEX	
(1-1)	LE4306001	1	OWNER'S MANUAL, MFC660MC FOR MEX	
(1-2)	LE4135001	1	ADDRESS LABEL	

LIST9(PACKING)

REF No.	CODE	Q'TY	DESCRIPTION	REMARKS
(1)	LE4136001	1	CARTON, BROTHER, FAX560 FOR USA	
(1)	LE4168001	1	CARTON, BROTHER, FAX580MC FOR USA	
(1)	LE4210001	1	CARTON, BROTHER, MFC660MC FOR USA	
(1)	LE4266001	1	CARTON, BROTHER, FAX560 FOR CAN	
(1)	LE4639001	1	CARTON, BROTHER, FAX580MC FOR CAN	
(1)	LE4275001	1	CARTON, BROTHER, FAX560 FOR ARG/CHL/MEX	
(1)	LE4297001	1	CARTON, BROTHER, FAX580MC FOR ARG	
(1)	LE4281001	1	CARTON, BROTHER, FAX560 FOR BRA	
(1)	LE4307001	1	CARTON, BROTHER, MFC660MC FOR MEX	
(2)	LE4137001	1	STYRO FOAM ASSY	
(3)	UE1172001	1	BAG, 570X650H	
(4)	LE4544001	1	PROTECTION SHEET	
(5)	UF8263001	1	TEST CHART TC-027	
(6)	LE4219001	2	PANEL CUSHION	

brother®