



**FACSIMILE EQUIPMENT
PARTS REFERENCE LIST**

MODEL: MFC7050C
(For U.S.A / Canada)

© Copyright Brother 1999

All rights reserved

No part of this publication may be reproduced in any form or by any means without permission in writing from the publisher.

Specifications are subject to change without prior notice.

NOTES FOR USING THIS PARTS REFERENCE LIST

1. In the case of ordering parts, it needs mentioning the following items:

- (1) Code
- (2) Q' ty
- (3) Description

Note: No orders without Parts Code or Tool No. can be accepted.

[Example]

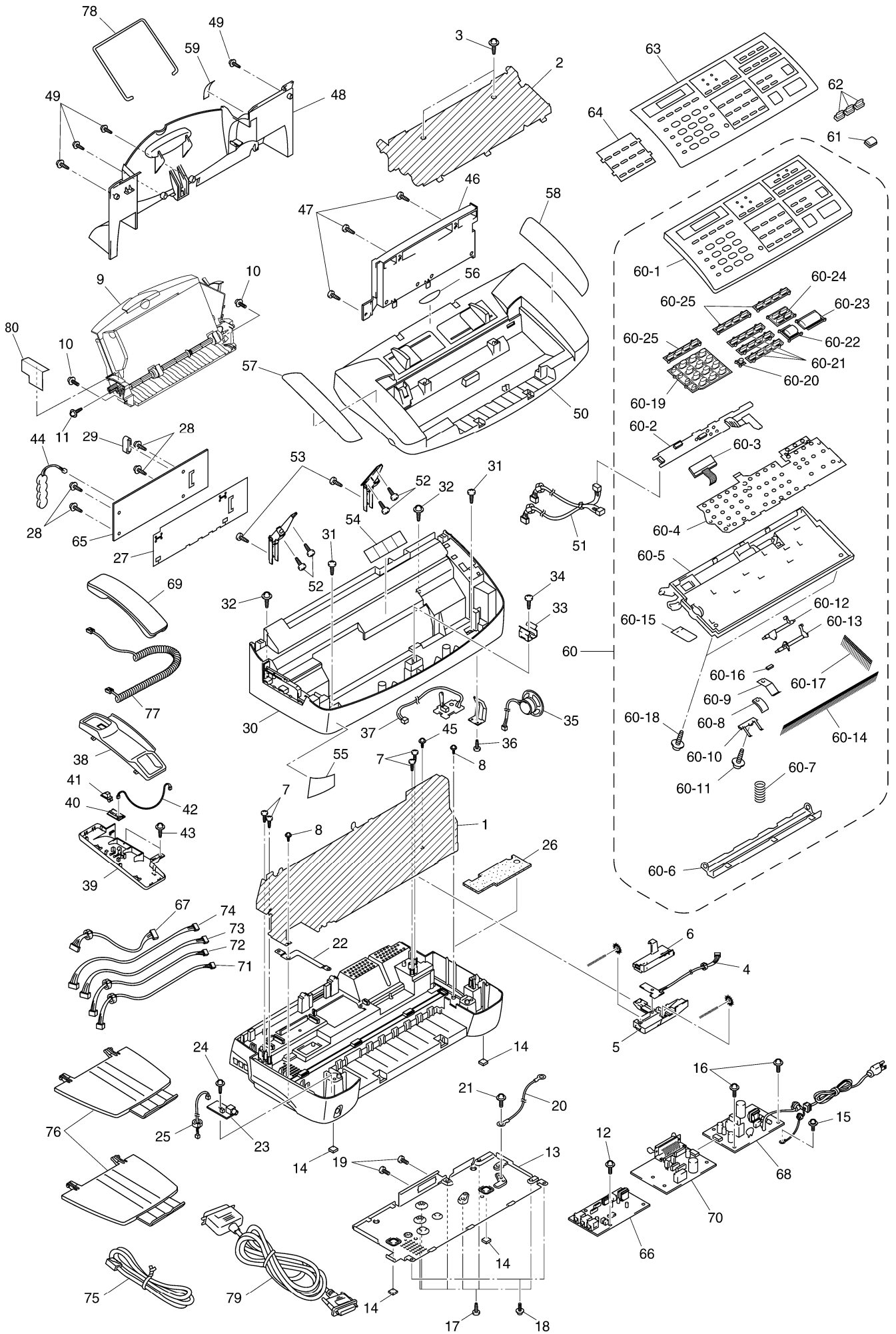
REF.NO.	CODE	Q' TY	DESCRIPTION	REMARKS

2. Parts change will be informed by the technical information.

COUNTRIES

U.S.A ----- USA

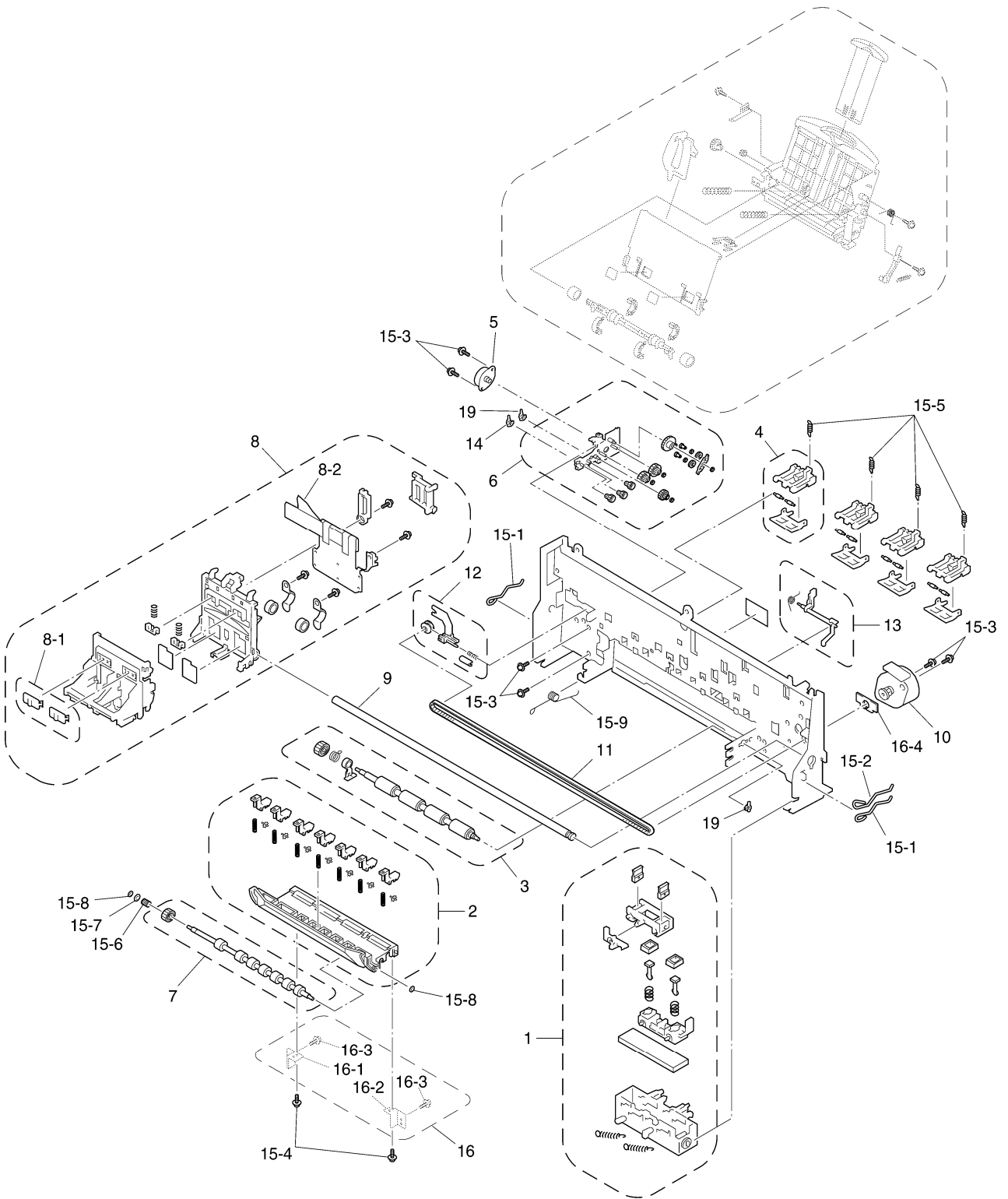
Canada ----- CAN



REF.NO.	CODE	Q'TY	DESCRIPTION	REMARKS
1	UU1874001	1	FRAME CHASSIS ASSY	See List2
2	-----	1	SCANNER FRAME ATTACHMENT	See List3
3	087311016	2	TAPTITE, CUP B M3X10	
4	UU1906001	1	INK EMPTY SENSOR PCB PCB	
5	UU1857001	1	SENSOR HOLDER	
6	UU1858001	1	SENSOR COVER	
7	085411215	4	TAPTITE, BIND B M4X12	
8	085311016	2	TAPTITE, BIND B M3X10	
9	UU1905001	1	ASF ASSY	
10	087320616	2	TAPTITE, CUP S M3X6	
11	087311016	1	TAPTITE, CUP B M3X10	
12	085411215	1	TAPTITE, BIND B M4X12	
13	UU1814001	1	BOTTOM PLATE	
14	UF4389001	4	RUBBER FOOT	
15	UF4444001	1	SCREW, PAN(P WASHER) M4X6	
16	087320616	2	TAPTITE, CUP S M3X6	
17	085411215	6	TAPTITE, BIND B M4X12	
18	087320616	2	TAPTITE, CUP S M3X6	
19	002300616	2	SCREW, PAN M3X6	
20	UG5796001	1	GROUNDING WIRE	
21	087320616	1	TAPTITE, CUP S M3X6	
22	UU1866001	1	VIDEO GROUNDING PLATE	
23	UU1907001	1	VIDEO PCB	
24	087311016	1	TAPTITE, CUP B M3X10	
25	UG5702001	1	VIDEO CAPTURE HARNESS	
26	UU1868001	1	INK FOAM	
27	UU1805001	1	INSULATION FILM	
28	087320616	4	TAPTITE, CUP S M3X6	
29	UG5569000	1	FLAT CORE	
30	UU1802001	1	UPPER COVER	
31	085411215	2	TAPTITE, BIND B M4X12	
32	087320616	2	TAPTITE, CUP S M3X6	
33	UU1812001	1	TOP COVER LOCK SPRING	
34	085411215	1	TAPTITE, BIND B M4X12	
35	UG5703001	1	SPEAKER	
36	085411215	1	TAPTITE, BIND B M4X12	
37	UU1912001	1	COVER SENSOR PCB	
38	UF8165003	1	UPPER HANDSET MOUNT	
39	UF8166003	1	LOWER HANDSET MOUNT	
40	UG5030001	1	HOOK PCB ASSY	
41	UF8167003	1	ACTUATOR HOOK	
42	UG5706001	1	HOOK SWITCH HARNESS	
43	087311016	2	TAPTITE, CUP B M3X10	
44	UG3732001	1	BATTERY ASSY	
45	087320616	1	TAPTITE, CUP S M3X6	
46	UU1815001	1	INNER COVER	
47	085411215	3	TAPTITE, BIND B M4X12	
48	UU1804001	1	REAR COVER	
49	085411215	4	TAPTITE, BIND B M4X12	
50	UU1832001	1	TOP COVER	
51	UG5708001	1	PANEL-MAIN HARNESS AND CIS HARNESS	
52	085411215	4	TAPTITE, BIND B M4X12	
53	085411215	2	TAPTITE, BIND B M4X12	
54	UU1842001	1	INK INSTALLATION INSTRUCTION LABEL	
55	UU1843001	1	VIDEO MYLAR LABEL FOR US/CAN(ENGLISH)	
55	UU1886001	1	VIDEO MYLAR LABEL FOR CAN(FRENCH)	
56	UU1844001	1	COLOR MARK	
57	UU1845001	1	MYLAR LABEL 1 FOR US/CAN(ENGLISH)	

REF.NO.	CODE	Q'TY	DESCRIPTION	REMARKS
57	UU1884001	1	MYLAR LABEL 1 FOR CAN(FRENCH)	
58	UU1846001	1	MYLAR LABEL 2 FOR US/CAN(ENGLISH)	
58	UU1885001	1	MYLAR LABEL 2 FOR CAN(FRENCH)	
59	UU1899001	1	PAPER THK INSTRUCTION LABEL	
60	UU1908001	1	CONTROL PANEL ASSY, WHITE(1138)	
60-1	UU7083002	1	CONTROL PANEL COVER, WHITE(1138)	
60-2	UU1913001	1	CONTROL PANEL PCB ASSY	
60-3	UG3062001	1	LCD	
60-4	UG4553001	1	FPC KEY	
60-5	UU7004001	1	PANEL REAR COVER	
60-6	UU7101001	1	DOCUMENT PRESSURE BAR	
60-7	UU7147001	1	SPRING	
60-8	UU7521001	1	SEPARATION RUBBER	
60-9	UU7105001	1	SPRING PLATE B	
60-10	UU7106001	1	SPRING PLATE A	
60-11	UF6116001	1	TAPTITE, PAN B M3X6	
60-12	UU7107001	1	DOCUMENT FRONT SENSOR ACTUATOR	
60-13	UU7108001	1	DOCUMENT REAR SENSOR ACTUATOR	
60-14	UU7505001	1	ANTISTATIC BRUSH 1	
60-15	UF7187001	1	GEAR SHIELD FILM	
60-16	UU7285001	1	ANTIVIBRATION RUBBER	
60-17	UU7506001	1	ANTISTATIC BRUSH 2	
60-18	087310815	2	TAPTITE, CUP B M3X8	
60-19	UF4393003	1	KEY, TEL, WHITE(1138)	
60-20	UF4576003	1	KEY, SHIFT, WHITE(1138)	
60-21	UF8176003	3	KEY, ONE TOUCH, WHITE(1138)	
60-22	UF8173002	1	KEY, STOP, ORANGE(3172)	
60-23	UF8172004	1	KEY, START, BLUE(6238)	
60-24	UU7100001	1	KEY, COPY AREA, WHITE(1138)	
60-25	UF9118001	3	KEY, FUNCTION 1, WHITE(1138)	
61	UU7110001	1	KEY, COPY, WHITE(1138)	
62	UU7111001	3	KEY, MC, WHITE(1138)	
63	UU1833001	1	PANEL SHEET FOR US/CAN(ENGLISH)	
63	UU1887001	1	PANEL SHEET FOR CAN(FRENCH)	
64	UU7139001	1	ADDRESS LABEL	
65	UU1909001	1	MAIN PCB ASSY	
66	UU1914001	1	NCU PCB ASSY	
(66-1)	-----		NOT USED	
(66-2)	-----		NOT USED	
(66-3)	-----		NOT USED	
(66-4)	-----		NOT USED	
(66-5)	T22708000	1	PHOTO COUPLER:TLP521 (LOCATION: PC1)	
(66-6)	UL8216000	1	PHOTO COUPLER:TLP320 (LOCATION: PC3)	
67	UG5711001	1	NCU-MAIN HARNESS	
68	UU1904001	1	POWER SUPPLY ASSY (INCLUDING AC CORD)	
69	UF6857003	1	HANDSET, WHITE(1138)	
70	UU1910001	1	INTERFACE PCB ASSY	
71	UG5713001	1	POWER SUPPLY 1 HARNESS (6 PIN)	
72	UG5714001	1	POWER SUPPLY 2 HARNESS (6 PIN)	
73	UG5715001	1	CENTRO 1 HARNESS (10 PIN)	
74	UG5772001	1	CENTRO 2 HARNESS (11 PIN)	
75	UG1570001	1	TELEPHONE LINE CORD FOR US	
75	UG3565001	1	TELEPHONE LINE CORD FOR CAN	
76	UU7114001	2	PAPER TRAY, WHITE(1138)	
77	UL8019009	1	HANDSET CURLED CORD ASSY, WHITE(1255)	
78	UL6856000	1	DOCUMENT WIRE EXTENSION	
79	UG4558001	1	I/F CABLE ASSY	
80	LE0001001	1	HARNESS PROTECTION FILM	
(81)	UU1861001	1	OWNER'S MANUAL ASSY, MFC7050C FOR US	

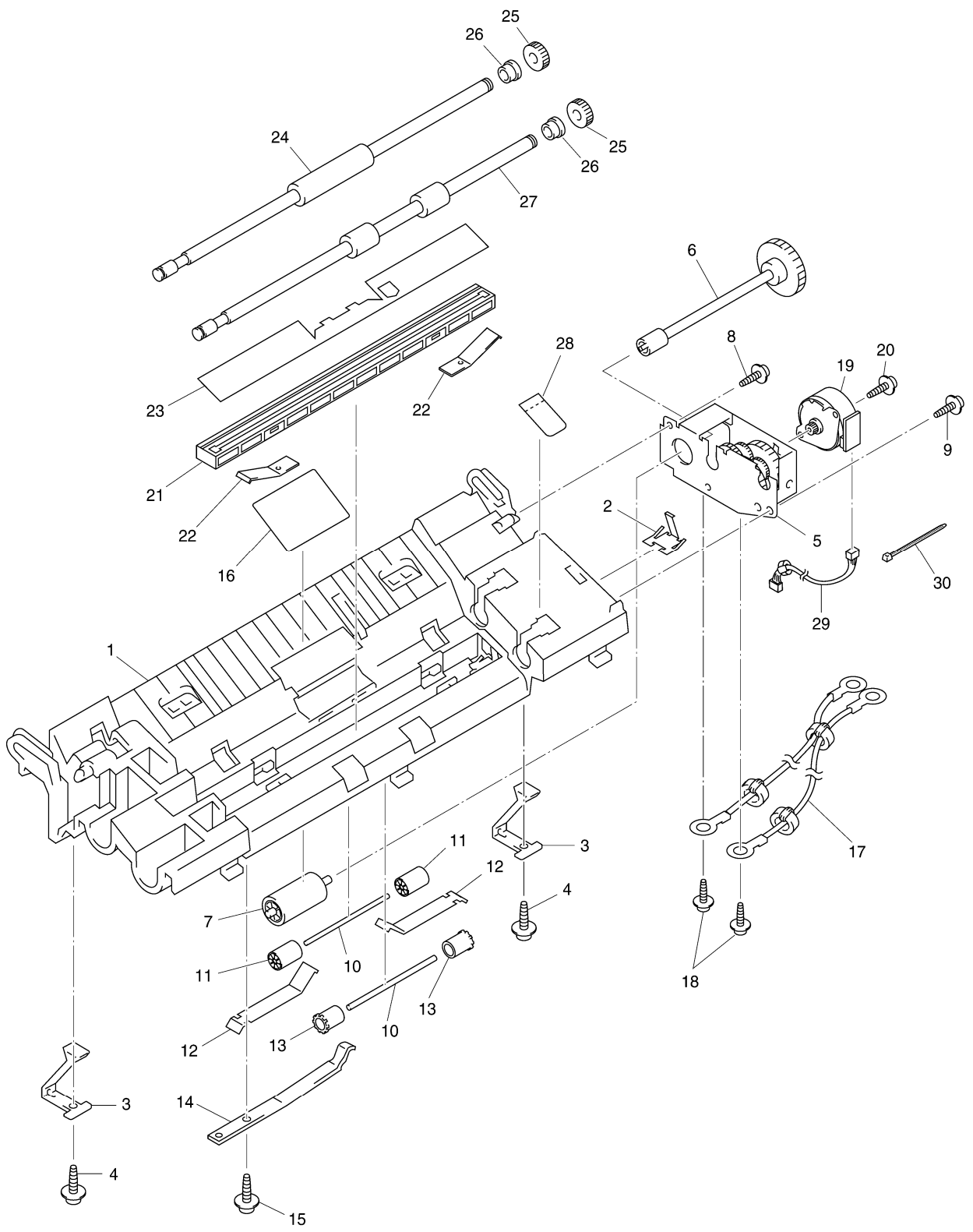
REF.NO.	CODE	Q'TY	DESCRIPTION	REMARKS
(81)	UU1880001	1	(INCLUDING OPERATIONS MANUAL(REF.NO.(81-1)), TEST SHEET, REORDER FORM, WARRANTY CARD, DEALER LIST, REMOTE CONTROL GUIDE(ENGLISH)(REF.NO.(81-2)), BACK SYSTEM SHEET, LICENSE GUIDE, OWNER'S MANUAL ASSY, MFC7050C FOR CAN(ENGLISH) (INCLUDING OPERATIONS MANUAL FOR CAN(ENGLISH) (REF.NO.(81-1)), REORDER FORM FOR CAN, WARRANTY CARD FOR CAN, TECH ASSIST PAGE, REMOTE CONTROL GUIDE(ENGLISH)(REF.NO.(81-2), LICENSE GUIDE FOR CAN)	
(81)	UU1890001	1	OWNER'S MANUAL ASSY, MFC7050C FOR CAN(FRENCH) (INCLUDING OPERATIONS MANUAL FOR CAN(FRENCH) (REF.NO.(81-1)), REORDER FORM FOR CAN, WARRANTY CARD FOR CAN, TECH ASSIST PAGE, REMOTE CONTROL GUIDE(FRENCH)(REF.NO.(81-2), COLOR GUIDE(FRENCH)(REF.NO.(81-3)) , LICENSE GUIDE FOR CAN)	
(81-1)	UU1862001	1	OPERATIONS MANUAL, MFC7050C FOR US	
(81-1)	UU1881001	1	OPERATIONS MANUAL, MFC7050C FOR CAN(ENGLISH)	
(81-1)	UU1891001	1	OPERATIONS MANUAL, MFC7050C FOR CAN(FRENCH)	
(81-2)	UU1841001	1	REMOTE CONTROL GUIDE, MFC7050C(ENGLISH)	
(81-2)	UU1892001	1	REMOTE CONTROL GUIDE, MFC7050C FOR CAN(FRENCH)	
(81-3)	UU1893001	4	COLOR GUIDE, MFC7050C FOR CAN(FRENCH)	<Eliminated>
(82)	UE3078001	1	CARTON, BROTHER MFC7050C FOR US	
(82)	UE3111001	1	CARTON, BROTHER MFC7050C FOR CAN(ENGLISH)	
(82)	UE3112001	1	CARTON, BROTHER MFC7050C FOR CAN(FRENCH)	
(83)	UE3023001	1	STYROFOAM ASSY	
(84)	UE1343001	1	SHEET, 250X450	
(85)	UE3031001	1	BAG, 800X900H (FOR MACHINE)	
(86)	UE3027001	1	CARTON FOR ACCESSORY	
(87)	UU0456001	1	PROTECTION PAPER	
(88)	UU1848001	1	CD-ROM ASSY	
(88)	U83026000	3	BINDER (FOR CENTRO/POWER SUPPLY HARNESSSES, CARRIER TRANSPORT MOTOR HARNESS AND PAPER FEED MOTOR HARNESS)	
(89)	UG3005000	2	FERRITE CORE (FOR PAPER FEED MOTOR HARNESS AND CARRIER TRANSPORT MOTOR HARNESS)	
(90)	UF2820001	1	GRIPPER RING (FOR MAINTENANCE STATION)	



1. FRAME CHASSIS ATTACHMENT

* Regarding the parts listed on this page, please place order to Lexmark International, Inc.

REF.NO.	CODE	QTY	DESCRIPTION	REMARKS
1	17D0586	1	MAINTENANCE STATION ASM	
2	17D0564	1	ROLLER ASM, STAR WHEEL	
3	17D0565	1	LARGE FEED ROLL ASM	
4	17D0566	4	PINCH ROLLER ASM	
5	17D0566	1	PAPER FEED MOTOR W/GEAR	
6	17D0568	1	GEAR PLATE ASM	
7	17D0569	1	EXIT ROLLER ASM	
8	70G4991	1	CARRIER ASM, BROTHER	
8-1	70G4992	1	CARTRIDGE INTERLOCK KEY SET (INCLUDING INTERLOCK KEY FOR COLOR CARTRIDGE AND INTERLOCK KEY FOR BLACK/PHOTO CARTRIDGE)	
8-2	17D0572	1	PRINthead/HOME SENSOR CABLE	
9	17D0580	1	CARRIER SHAFT	
10	17D0582	1	CARRIER TRANSPORT MOTOR ASM	
11	17D0583	1	CARRIER BELT	
12	17D0588	1	IDLER TENSION PULLEY	
13	17D0589	1	SENSOR LEVER ASM	
14	17D0573	1	BEARINGS (INCLUDING 12 PCS)	
15	17D0590	1	ACCESSORY PARTS PACKET (INCLUDING MAIN SHAFT HOLDERS(REF.NO.15-1,15-2), SCREWS(REF.NO.15-3,15-4), SPRINGS(REF.NO.15-5,15-6, 15-9), WASHERS(15-7) AND E-RINGS(15-8))	
16	17D0710	1	ACCESSORY PARTS PACKET 2 (INCLUDING BASE FRAME HOLDERS(REF.NO.16-1,16-2), SCREWS(REF.NO.16-3) AND CRM PLATE(REF.NO.16-4)) <* Only CRM PLATE(REF.NO.16-4) is necessary for MFC7050C>	
(17)	15M0150	1	BLACK CARTRIDGE 7000 (FOR STARTER)	
(18)	15M0160	1	COLOR CARTRIDGE 7000 (FOR STARTER)	
19	17D0591	1	BEARINGS (INCLUDING 12 PCS)	



2. SCANNER FRAME ATTACHMENT

REF.NO.	CODE	Q'TY	DESCRIPTION	REMARKS
1	UU7002001	1	SCANNER FRAME	
2	UU7012001	1	CIS SIDE SPRING	
3	UU7013001	2	CONTROL PANEL LOCK (LEAF SPRING)	
4	087310815	2	TAPTITE, CUP B M3X8	
5	UU1911001	1	SCANNER DRIVE UNIT	
6	UU7030001	1	SEPARATION ROLLER GEAR	
7	UU7031001	1	SEPARATION ROLLER	
8	087310815	1	TAPTITE, CUP B M3X8	
9	087311016	1	TAPTITE, CUP B M3X10	
10	UF4369000	2	ROLLER SHAFT	
11	UF9009001	2	PRESSURE ROLLER	
12	UU7032001	2	PRESSURE ROLLER LEAF SPRING	
13	UL6244002	2	PINCH ROLLER	
14	UU7033001	1	PINCH ROLLER LEAF SPRING	
15	087310815	1	TAPTITE, CUP B M3X8	
16	UU7364001	1	ROLLER FILM	
17	UG5701001	1	GROUNDING WIRE	
18	087320616	2	TAPTITE, CUP S M3X6	
19	UU1826001	1	SCANNER MOTOR	
20	0A4300605	1	SCREW, PAN (S/P WASHER) M3X6	
21	UG6683001	1	CIS UNIT	
22	UU7035001	2	CIS LEAF SPRING	
23	UU7036001	1	CIS FILM	
24	UU7037001	1	DOCUMENT FEED ROLLER	
25	UU7039001	2	GEAR 27	
26	UF8105001	2	BUSHING	
27	UU7040001	1	DOCUMENT EJECTION ROLLER	
28	UF7187001	1	SHIELD FILM	
29	UG5707001	1	SCANNER MOTOR HARNESS	
30	U83026000	1	BINDER	

brother®