



**FACSIMILE EQUIPMENT
PARTS REFERENCE LIST**

**MODEL: FAX3650
MFC4450 / 4550PLUS / 7650MC**

© Copyright Brother 1997

All rights reserved

No part of this publication may be reproduced in any form
or by any means without permission in writing from the
publisher.

Specifications are subject to change without prior notice.

NOTES FOR USING THIS PARTS REFERENCE LIST

1. In the case of ordering parts, it needs mentioning the following items:

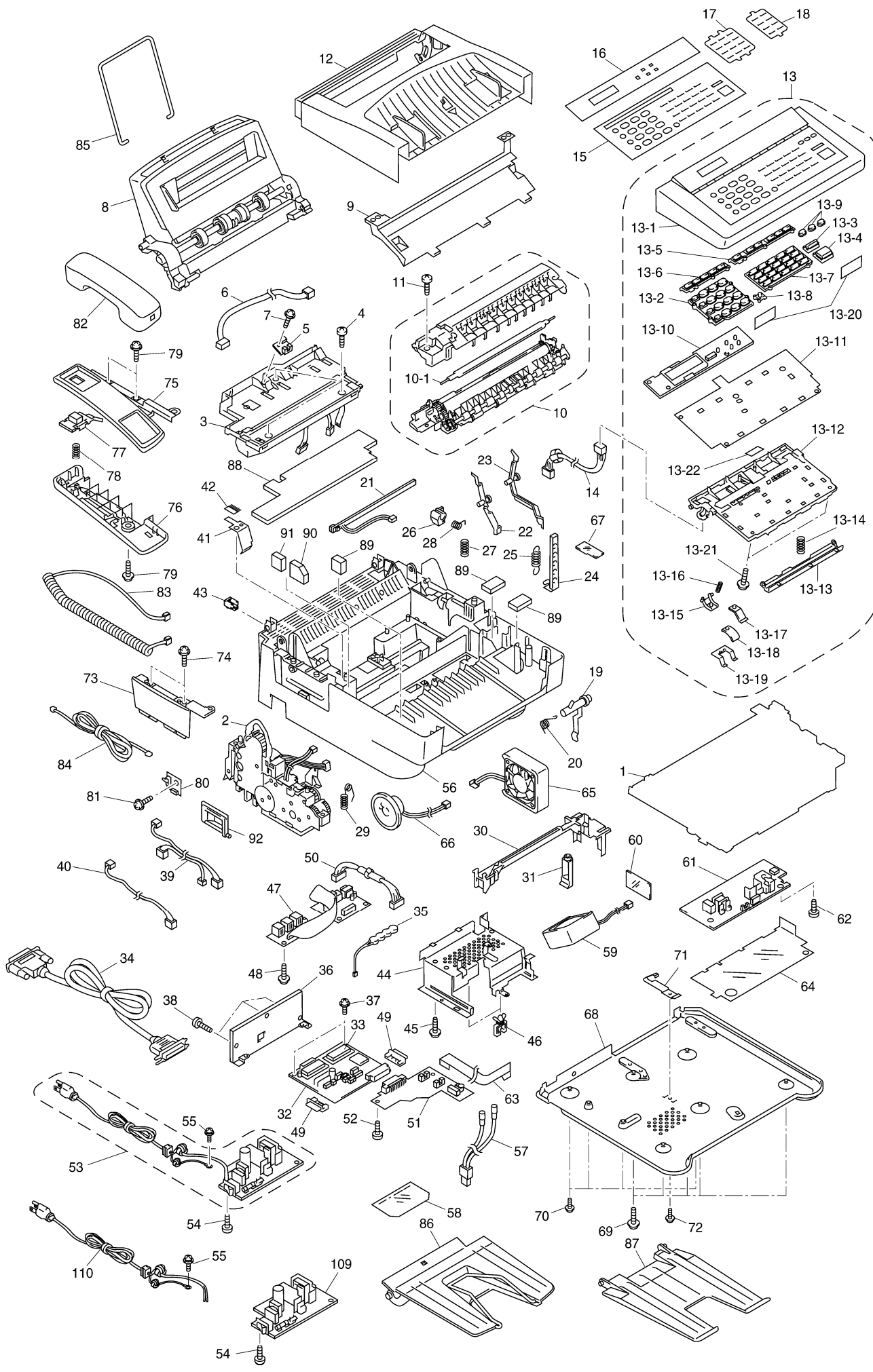
- (1) Code
- (2) Q' ty
- (3) Description

Note: No orders without Parts Code or Tool No. can be accepted.

[Example]

REF.NO.	CODE	Q' TY	DESCRIPTION	REMARKS

2. Parts change will be informed by the technical information.



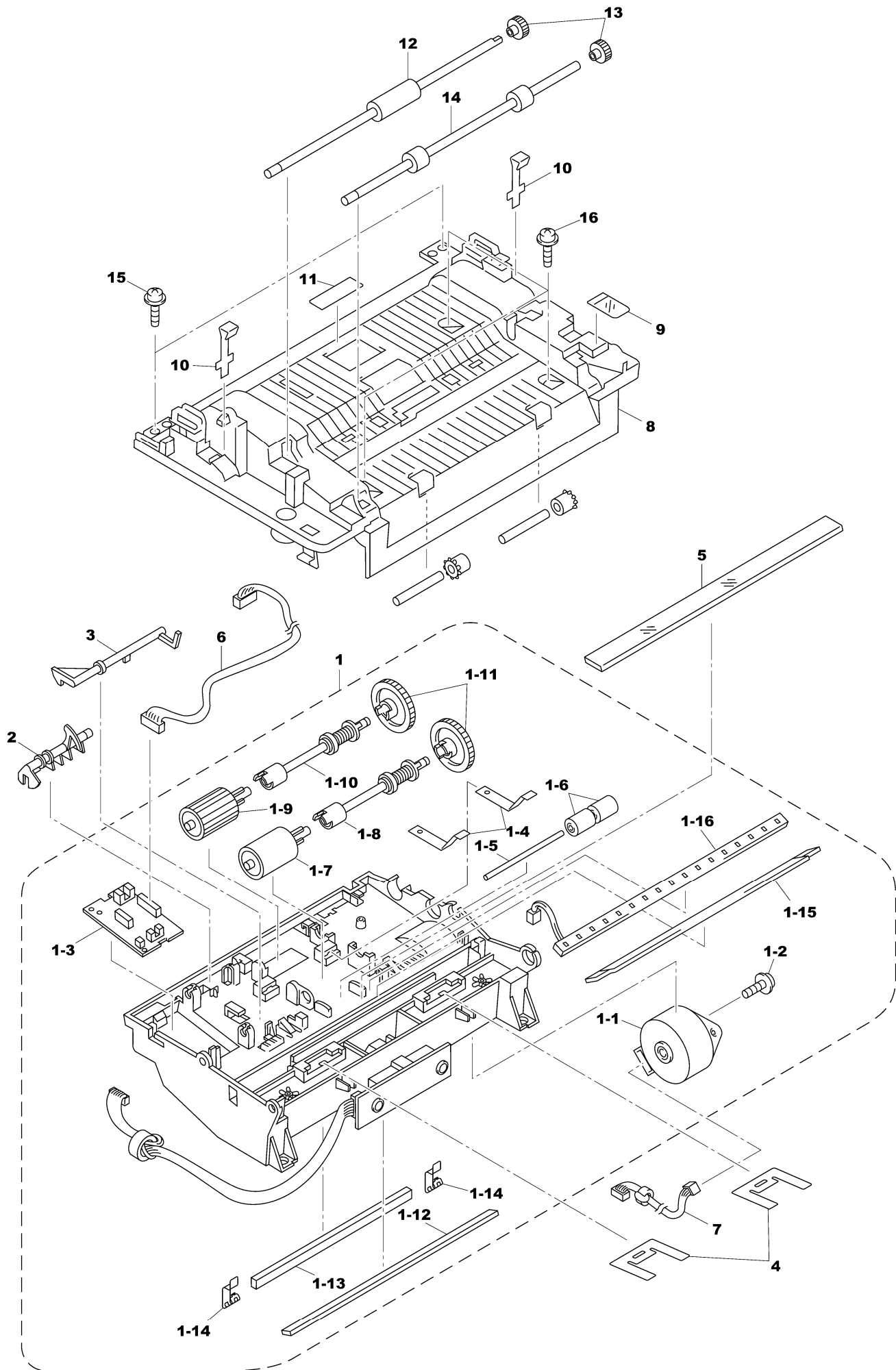
REF.NO.	CODE	QTY	DESCRIPTION	REMARKS
1			1. SCANNING FRAME ASSY	
2	UL6997001	1	DRIVE UNIT	
3	UL6875001	1	SCANNER UNIT	
4	085411215	3	TAPTITE, BIND B M4X12	
5	UG4220001	1	TONER SENSOR PCB ASSY	
6	UG4144001	1	TONER SENSOR HARNESS	
7	087310815	1	TAPTITE, CUP B M3X8	
8	UL6300002	1	MP TRAY ASSY, GRAY(1267) FOR FAX3650	
8	UL6300004	1	MP TRAY ASSY, WHITE(1138) FOR MFC4450/4550Plus/7650MC	
9	UF7067001	1	INSULATE COVER	
10	UL6877001	1	FIXING UNIT, 120V FOR US/CAN	
10	UL6878001	1	FIXING UNIT, 240V FOR GUL	
10-1	UL6879001	1	FU LAMP, 120V FOR US/CAN	
10-1	UL6880001	1	FU LAMP, 240V FOR GUL	
(10-2)	UL6677000	1	ELECTRODE PLATE	
(10-3)	UL6667001	1	THERMISTOR ASSY	
(10-4)	UL6681001	1	PINCH ROLLER ASSY	
(10-5)	UL6682001	4	PINCH ROLLER SPRING	
11	085411215	1	TAPTITE, BIND B M4X12	
12	UF7069001	1	OPEN COVER, GRAY(1267) FOR FAX3650	
12	UF7069004	1	OPEN COVER, WHITE(1138) FOR MFC4450/4550Plus/7650MC	
13	UF7322001	1	CONTROL PANEL ASSY, GRAY(1267) FOR FAX3650	
13	UF7326001	1	CONTROL PANEL ASSY, WHITE(1138) FOR MFC4450/4550Plus	
13	UF7306001	1	CONTROL PANEL ASSY, WHITE(1138) FOR MFC7650MC	
13-1	UL5731001	1	CONTROL PANEL COVER, GRAY(1267) FOR FAX3650	
13-1	UL5731004	1	CONTROL PANEL COVER, WHITE(1138) FOR MFC4450/4550Plus/7650MC	
13-2	UF4393001	1	KEY, TEL, GRAY(1267) FOR FAX3650	
13-2	UF4393003	1	KEY, TEL, WHITE(1138) FOR MFC4450/4550Plus/7650MC	
13-3	UF4396001	1	KEY, STOP, PINK(2159)	
13-4	UF4395001	1	KEY, START, BLUE(6155)	
13-5	UL5711001	1	KEY, FAX, GRAY(1267) FOR FAX3650	
13-5	UL5711003	1	KEY, FAX, WHITE(1138) FOR MFC4450/4550Plus/7650MC	
13-6	UL5712001	1	KEY, OPERATION, GRAY(1267) FOR FAX3650	
13-6	UL5712003	1	KEY, OPERATION, WHITE(1138) FOR MFC4450/4550Plus/7650MC	
13-7	UL5732001	1	KEY, SPEED DIAL, GRAY(1267) FOR FAX3650	
13-7	UL5732003	1	KEY, SPEED DIAL, WHITE(1138) FOR MFC4450/4550Plus/7650MC	
13-8	UF4576001	1	KEY, SHIFT, GRAY(1267) FOR FAX3650	
13-8	UF4576003	1	KEY, SHIFT, WHITE(1138) FOR MFC4450/4550Plus/7650MC	
13-9	UF7171001	3	KEY, MC, WHITE(1138) FOR MFC7650MC	
13-10	UF7325001	1	PANEL PCB ASSY FOR FAX3650	
13-10	UF7335001	1	PANEL PCB ASSY FOR MFC4450/4550Plus	
13-10	UF7336001	1	PANEL PCB ASSY FOR MFC7650MC	
13-11	UF7321001	1	FPC KEY FOR FAX3650, MFC4450/4550Plus	
13-11	UF7305001	1	FPC KEY FOR MFC7650MC	
13-12	UF7154001	1	PANEL REAR COVER, GRAY(1267)	
13-13	UF7155001	1	DOCUMENT PRESSURE BAR	
13-14	UF4404001	1	SPRING, COMPRESSION	
13-15	UF7161000	1	DOCUMENT INHALER	
13-16	UF7162001	1	SPRING, COMPRESSION	
13-17	UF7159001	1	ADF SPRING PLATE	
13-18	UF7158000	1	SEPARATION RUBBER	

REF.NO.	CODE	QTY	DESCRIPTION	REMARKS
13-19	UF7160001	1	SPRING PLATE, ADF FRONT	
13-20	UF7163001	2	ANTI-STATIC BRUSH	
13-21	087310815	2	TAPTITE, CUP B M3X8	
13-22	UF7150001	1	INSULATION SHEET	
14	UG4033001	1	PANEL-MAIN HARNESS	
15	UF7176001	1	PANEL SHEET FOR FAX3650	
15	UF7657001	1	PANEL SHEET FOR MFC4450	
15	UF7164001	1	PANEL SHEET FOR MFC4550Plus FOR US/CAN (ENGLISH)	
15	UF7789001	1	PANEL SHEET FOR MFC4550Plus FOR CAN (FRENCH)	
15	UF7959001	1	PANEL SHEET FOR MFC7650MC	
16	UF7844001	1	LCD PLATE FOR FAX3650	
16	UF7658001	1	LCD PLATE FOR MFC4450	
16	UF7957001	1	LCD PLATE FOR MFC4550Plus FOR US/CAN (ENGLISH)	
16	UF7790001	1	LCD PLATE FOR MFC4550Plus FOR CAN (FRENCH)	
16	UF7924001	1	LCD PLATE FOR MFC7650MC	
17	UL5771001	1	ADDRESS LABEL FOR FAX3650	
17	UL6123004	1	ADDRESS LABEL FOR MFC4450/4550Plus/7650MC	
18	UL6122001	1	PANEL SPACER FOR MFC4450/4550Plus/7650MC	
19	UL6936001	1	PAPER EJECT ACTUATOR ASSY	
20	UL6931001	1	SPRING, TORSION EX	
21	UL6887001	1	EL PCB UNIT	
22	UF7055001	1	RESIST SENSOR LEVER	
23	UF7056001	1	TC SENSOR LEVER	
24	UF7057000	1	COVER OPEN LEVER	
25	UF7058001	1	SPRING, COIL	
26	UL6721000	1	LOCK LEVER	
27	UL6722001	1	SPRING, COMPRESSION	
28	UL6723001	1	PR LOCK SPRING	
29	UL6730000	1	DRUM GROUND SPRING	
30	UF7054001	1	DUCT COVER	
31	UL6853001	1	DENSITY DIAL, GRAY(1252)	
32	UF7893001	1	MAIN PCB SUB ASSY FOR FAX3650	
32	UF7661001	1	MAIN PCB SUB ASSY FOR MFC4450	
32	UF7640001	1	MAIN PCB SUB ASSY FOR MFC4550Plus	
32	UF7845001	1	MAIN PCB SUB ASSY FOR MFC7650MC	
33	UG4267001	1	PROM:FAX3650	
33	UG4225001	1	MASK ROM:MFC4450-A	
33	UG4270001	1	PROM:MFC7650MC	
34	UG4172001	1	I/F CABLE FOR MFC4450/4550Plus/7650MC	
35	UF7096001	1	BATTERY FOR MFC7650MC	
36	UF7081000	1	I/F SHIELD ASSY FOR FAX3650	
36	UF7062001	1	I/F SHIELD ASSY FOR MFC4450/4550Plus/7650MC	
37	087320616	2	TAPTITE, CUP S M3X6	
38	000300606	3	SCREW, BIND M3X6	
39	UG4086001	1	MAIN HARNESS ASSY (HOOK-HARNESS & LVP-MAIN HARNESS) FOR FAX3650, MFC4550Plus/7650MC	
40	UG4085001	1	LVP-MAIN HARNESS FOR MFC4450	
41	UF7617001	1	GROUNDING PLATE	
42	UF7676001	1	ANTI-STATIC BRUSH	
43	UF7095000	1	MJ COVER, H/S FOR MFC4450	
44	UF7059000	1	MAIN SHIELD	
45	087311016	3	TAPTITE, CUP B M3X10	
46	UG4163000	2	CLAMP:LWS-1S	
47	UF7311001	1	NCU PCB ASSY	

REF.NO.	CODE	QTY	DESCRIPTION	REMARKS
48	087311016	1	TAPTITE, CUP B M3X10	
49	UF7061000	2	PCB GUIDE	
50	UG4034001	1	NCU-MAIN HARNESS	
51	UF7314001	1	RELAY PCB ASSY	
52	085411215	1	TAPTITE, BIND B M4X12	
53	UF7312001	1	PS PCB ASSY, 115V FOR US/CAN (WITH AC CORD ASSY)	
54	085411215	1	TAPTITE, BIND B M4X12	
55	UF6559001	1	SCREW, PAN (WASHER) M4X8DB	
56	UF7053001	1	MAIN COVER, GRAY(1267) FOR FAX3650	
56	UF7053004	1	MAIN COVER, WHITE(1138) FOR MFC4450/4550Plus/7650MC	
57	UK3062001	1	HEATER HARNESS ASSY	
58	UF7078001	1	MAIN FILM	
59	UF7090001	1	MAIN FAN MOTOR ASSY	
60	UL6928001	1	FAN MOTOR FILM	
61	UK3192001	1	HIGH-VOLTAGE PS PCB ASSY	
62	085411215	1	TAPTITE, BIND B M4X12	
63	UK3059000	1	HV FLAT CABLE 12	
64	UF7060001	1	INSULATION SHEET	
65	UF7149001	1	SUB FAN MOTOR ASSY	
66	UG4036001	1	SPEAKER UNIT	
67	UF7088001	1	SPEAKER FILM	
68	UF7065001	1	BOTTOM PLATE	
69	087411215	5	TAPTITE, CUP B M4X12	
70	087320616	4	TAPTITE, CUP S M3X6	
71	UF7092001	1	GROUNDING PLATE	
72	087320616	1	TAPTITE, CUP S M3X6	
73	UF7082004	1	SIDE COVER, WHITE(1138) FOR MFC4450	
74	087311016	2	TAPTITE, CUP B M3X10 FOR MFC4450	
75	UF7073001	1	UPPER HANDSET COVER, GRAY(1267) FOR FAX3650	
75	UF7073004	1	UPPER HANDSET COVER, WHITE(1138) FOR MFC4550Plus/7650MC	
76	UF7074001	1	LOWER HANDSET COVER, GRAY(1267) FOR FAX3650	
76	UF7074004	1	LOWER HANDSET COVER, WHITE(1138) FOR MFC4550Plus/7650MC	
77	UF7075001	1	ACTUATOR HOOK FOR FAX3650, MFC4550Plus/7650MC	
78	UF7076001	1	SPRING, COMPRESSION FOR FAX3650, MFC4550Plus/7650MC	
79	087311016	3	TAPTITE, CUP B M3X10 FOR FAX3650, MFC4550Plus/7650MC	
80	UF7329001	1	HOOK PCB ASSY FOR FAX3650, MFC4550Plus/7650MC	
81	087310616	1	TAPTITE, CUP B M3X6 FOR FAX3650, MFC4550Plus/7650MC	
82	UF6400001	1	HANDSET, GRAY(1267) FOR FAX3650	
82	UF6400003	1	HANDSET, WHITE(1138) FOR MFC4550Plus/7650MC	
83	UF7204010	1	HANDSET CURLED CORD, GRAY(1267) FOR FAX3650	
83	UF7204009	1	HANDSET CURLED CORD, WHITE(1255) FOR MFC4550Plus/7650MC	
84	UG1570001	1	TELEPHONE LINE CORD FOR US	
84	LG3077001	1	TELEPHONE LINE CORD FOR CAN	
85	UE2188001	1	PAPER SUPPORT ASSY	
86	UF7206001	1	DOCUMENT TRAY	
87	UF7209001	1	PAPER TRAY	
88	UL6611001	1	SEAL SPONGE A	
89	UF7085001	3	SEAL SPONGE B	
90	UF7086001	1	SEAL SPONGE C	
91	UF7089001	1	SEAL SPONGE D	
92	UF7064001	1	SWITCH COVER, GRAY(1267) FOR FAX3650	

REF.NO.	CODE	QTY	DESCRIPTION	REMARKS
92	UF7064004	1	SWITCH COVER, WHITE(1138) FOR MFC4450/4550Plus/7650MC	
(93)	UL6740001	1	LASER CAUTION LABEL	
(94)	UL6741001	1	TONER CAUTION LABEL	
(95)	UL5738003	1	PAPER SET LABEL	
(96)	UF7093001	1	WARNING LABEL 30X160	
(97)	UF5077001	1	ISC/ICES LABEL FOR CAN	
(98)	UL6955001	1	DUST COVER	
(99)	UF7834001	1	OWNER'S MANUAL ASSY, FAX3650 FOR US	
(99)	UF7835001	1	OWNER'S MANUAL ASSY, FAX3650 FOR CAN	
(99)	UF7725001	1	OWNER'S MANUAL ASSY, FAX3650 FOR GUL	
(99)	UF7817001	1	OWNER'S MANUAL ASSY, MFC4450 FOR US	
(99)	UF7695001	1	OWNER'S MANUAL ASSY, MFC4550Plus FOR US	
(99)	UF7698001	1	OWNER'S MANUAL ASSY, MFC4550Plus FOR CAN (ENGLISH)	
(99)	UF7791001	1	OWNER'S MANUAL ASSY, MFC4550Plus FOR CAN (FRENCH)	
(99)	UF7832001	1	OWNER'S MANUAL ASSY, MFC7650MC FOR US	
(99)	UF7833001	1	OWNER'S MANUAL ASSY, MFC7650MC FOR CAN	
(99-1)	UF7841001	1	OPERATION MANUAL, FAX3650 FOR US	
(99-1)	UF7842001	1	OPERATION MANUAL, FAX3650 FOR CAN (ENGLISH)	
(99-1)	UF7843001	1	OPERATION MANUAL, FAX3650 FOR CAN (FRENCH)	
(99-1)	UF7726001	1	OPERATION MANUAL, FAX3650 FOR GUL	
(99-1)	UF7810001	1	OPERATION MANUAL, MFC4450 FOR US	
(99-1)	UF7825001	1	OPERATION MANUAL, MFC4550Plus FOR US	
(99-1)	UF7826001	1	OPERATION MANUAL, MFC4550Plus FOR CAN (ENGLISH)	
(99-1)	UF7827001	1	OPERATION MANUAL, MFC4550Plus FOR CAN (FRENCH)	
(99-1)	UF7836001	1	OPERATION MANUAL, MFC7650MC FOR US	
(99-1)	UF7837001	1	OPERATION MANUAL, MFC7650MC FOR CAN (ENGLISH)	
(99-1)	UF7838001	1	OPERATION MANUAL, MFC7650MC FOR CAN (FRENCH)	
(99-2)	UF7226001	1	MFL MANUAL, MFC4450 FOR US	
(99-3)	UF7828001	1	SET UP MANUAL, MFC4550Plus FOR US/CAN (ENGLISH)	
(99-3)	UF7829001	1	SET UP MANUAL, MFC4550Plus FOR CAN (FRENCH)	
(99-3)	UF7839001	1	SET UP MANUAL, MFC7650MC FOR US/CAN (ENGLISH)	
(99-3)	UF7840001	1	SET UP MANUAL, MFC7650MC FOR CAN (FRENCH)	
(100)	UF7212001	1	FLOPPY DISK ASSY, MFC4450 FOR US	
(101)	UE1803001	1	CARTON, BROTHER FAX3650 FOR US	
(101)	UE1804001	1	CARTON, BROTHER FAX3650 FOR CAN	
(101)	UE2196001	1	CARTON, BROTHER MFC4450 FOR US	
(101)	UE1800001	1	CARTON, BROTHER MFC4550Plus FOR US	
(101)	UE1801001	1	CARTON, BROTHER MFC4550Plus FOR CAN (ENGLISH)	
(101)	UE1814001	1	CARTON, BROTHER MFC4550Plus FOR CAN (FRENCH)	
(101)	UE1807001	1	CARTON, BROTHER MFC7650MC FOR US	
(101)	UE1808001	1	CARTON, BROTHER MFC7650MC FOR CAN	
(102)	UE1424001	1	STYROFARM ASSY	
(103)	UE2136001	1	PE BAG, 700X1000H FOR MACHINE	
(104)	UE1427000	1	CARTON FOR MANUAL	
(105)	UU0456001	1	ADF PROTECTION PAPER	
(106)	UF7891001	1	POP FAX3650 FOR US	
(106)	UF7892001	1	POP FAX3650 FOR CAN	
(106)	UF7659001	1	POP MFC4450 FOR US	
(106)	UF7693001	1	POP MFC4550Plus FOR US	
(106)	UF7694001	1	POP MFC4550Plus FOR CAN	
(106)	UF7895001	1	POP MFC7650MC FOR US	
(106)	UF7896001	1	POP MFC7650MC FOR CAN	
(107)	UF7822001	1	MFL CD ROM ASSY FOR MFC4550Plus/MFC7650MC	
(107)	UF7851004	4	MFL CD ROM ASSY FOR MFC7650MC	

REF.NO.	CODE	QTY	DESCRIPTION	REMARKS
(108)	UF7938001	1	UPGRADE FLOPPY DISK (FLASH ROM) FOR MFC4550Plus	
(108)	UF7941001	1	UPGRADE FLOPPY DISK (FLASH ROM) FOR MFC7650MC	
109	UF7712001	1	PS PCB ASSY, 230V FOR GUL	
110	UG4096001	1	AC CORD ASSY FOR GUL	
(111)	UF7996001	1	PANEL BILINGUAL LABEL MFC7650MC FOR CAN	



1. SCANNING FRAME ASSY

REF.NO.	CODE	QTY	DESCRIPTION	REMARKS
1	UF7320001	1	SCANNING FRAME ASSY FOR FAX3650, MFC4450/4550Plus	
1	UF7341001	1	SCANNING FRAME ASSY FOR MFC7650MC	
1-1	Z26243001	1	MOTOR	
1-2	0A5300805	1	SCREW, PAN (S/P WASHER) M3X8	
1-3	UF7328001	1	SENSOR PCB ASSY	
1-4	UF7013001	2	SPRING PLATE, PRESSUR ROLLER	
1-5	UF7014000	1	PRESSURE ROLLER SHAFT	
1-6	T20869000	2	LEADER CLAMP ROLLER	
1-7	UF4366001	1	SEPARATION ROLLER	
1-8	UF7016001	1	SEPARATION ROLLER SHAFT ASSY	
1-9	UF7015001	1	SEPARATION ROLLER	
1-10	UF7019001	1	SEPARATION ROLLER SHAFT ASSY	
1-11	UL5632000	2	SEPARATION ROLLER GEAR	
1-12	UF7307001	1	MIRROR, L220	
1-13	UF7323001	1	MIRROR, S166.5 FOR FAX3650, MFC4450/4550Plus	
1-13	UF7308001	1	MIRROR, S137 FOR MFC7650MC	
1-14	UF4431001	2	SPRING PLATE, MIRROR FOR MFC7650MC	
1-15	UF7024000	1	BAR LENDS	
1-16	UF7583001	1	LED ARRAY 200 FOR FAX3650, MFC4450/4550Plus	
1-16	UF7584001	1	LED ARRAY 300 FOR MFC7650MC	
2	UF7026001	1	ACTUATOR, F	
3	UF7027001	1	ACTUATOR, R	
4	UF7028001	2	EJECTION SPRING	
5	UF9265001	1	COVER GLASS	
6	UG4031001	1	SENSOR-MAIN HARNESS	
7	UG4035001	1	SCANNING MOTOR-MAIN HARNESS	
8	UF7999001	1	ADF COVER, GRAY(1267) FOR FAX3550/3650	
8	UF7999004	1	ADF COVER, WHITE(1138) FOR MFC4450/4550Plus/7650MC	
9	UF7187001	1	GEAR COVER FILM	
10	UF7031001	2	PANEL OPEN SPRING	
11	UL5664001	1	ADF FILM	
12	UF7033001	1	LF ROLLER	
13	UF7035000	2	ROLLER GEAR	
14	UF7036001	1	EJECTION ROLLER	
15	087411216	2	TAPTITE, CUP B M4X12	
16	087412016	3	TAPTITE, CUP B M4X20	

brother®