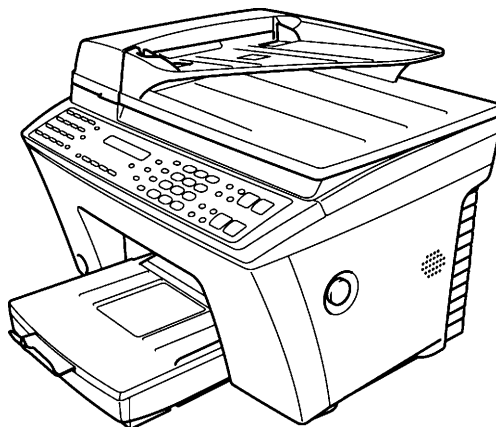




**FACSIMILE EQUIPMENT
PARTS REFERENCE LIST**

MODEL: MFC9100C

**(For U.S.A / Canada
/ Australia / New Zealand
/ Asia)**



© Copyright Brother 1999

All rights reserved

No part of this publication may be reproduced in any form or by any means without permission in writing from the publisher.

Specifications are subject to change without prior notice.

NOTES FOR USING THIS PARTS REFERENCE LIST

1. In the case of ordering parts, it needs mentioning the following items:

- (1) Code
- (2) Q' ty
- (3) Description

Note: No orders without Parts Code or Tool No. can be accepted.

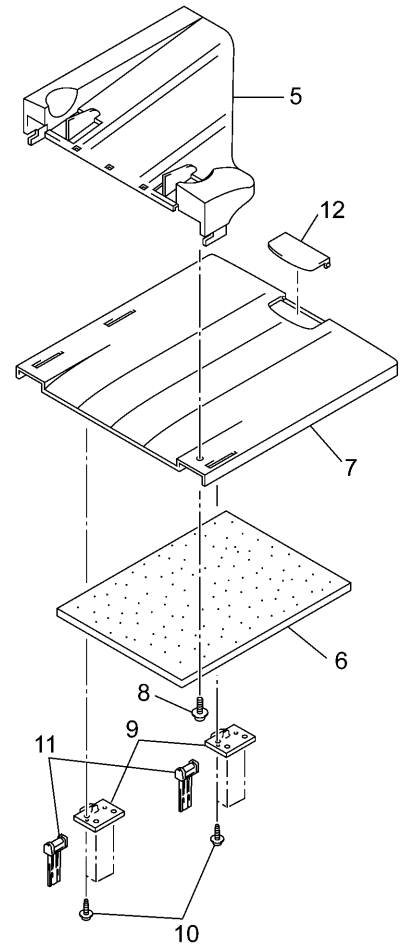
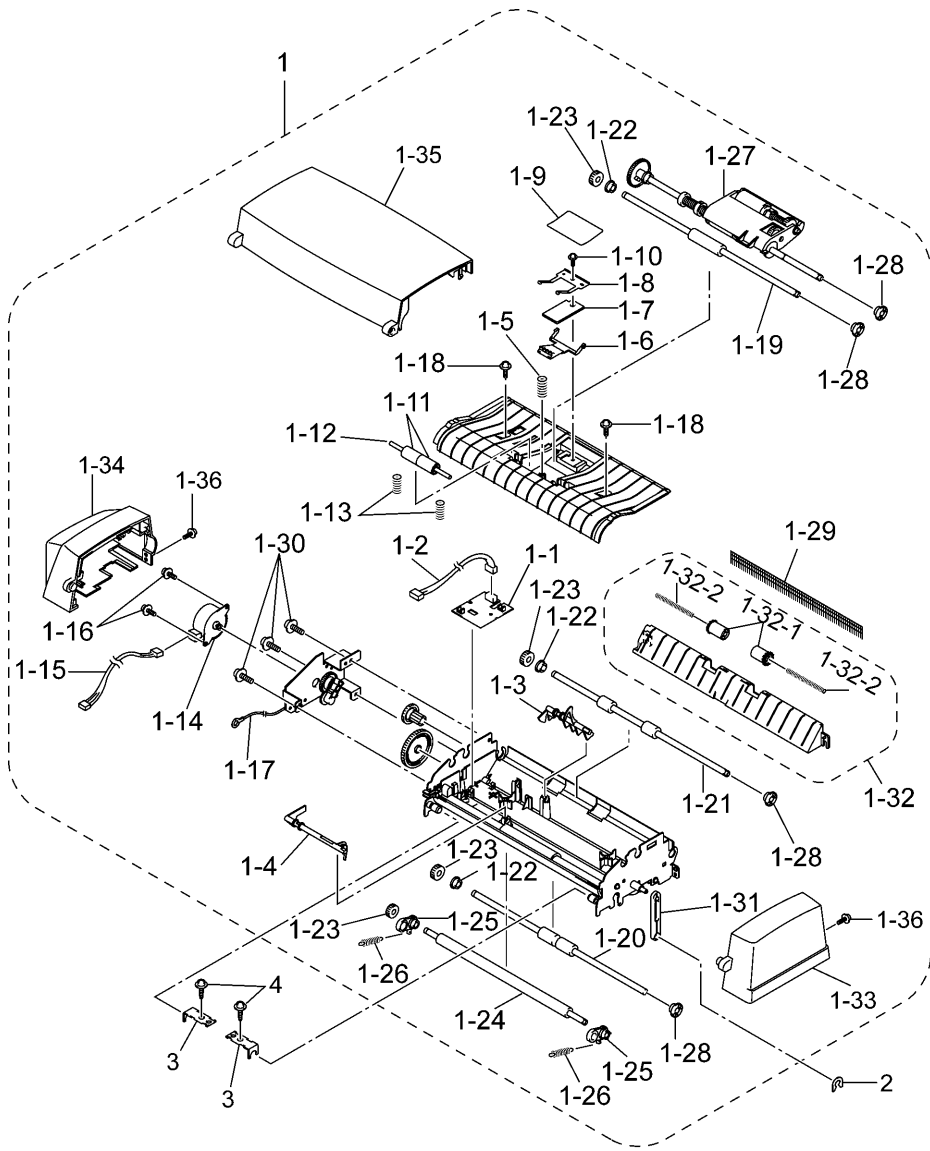
[Example]

REF.NO.	(1) CODE	(2) Q' TY	(3) DESCRIPTION	REMARKS

2. Parts change will be informed by the technical information.

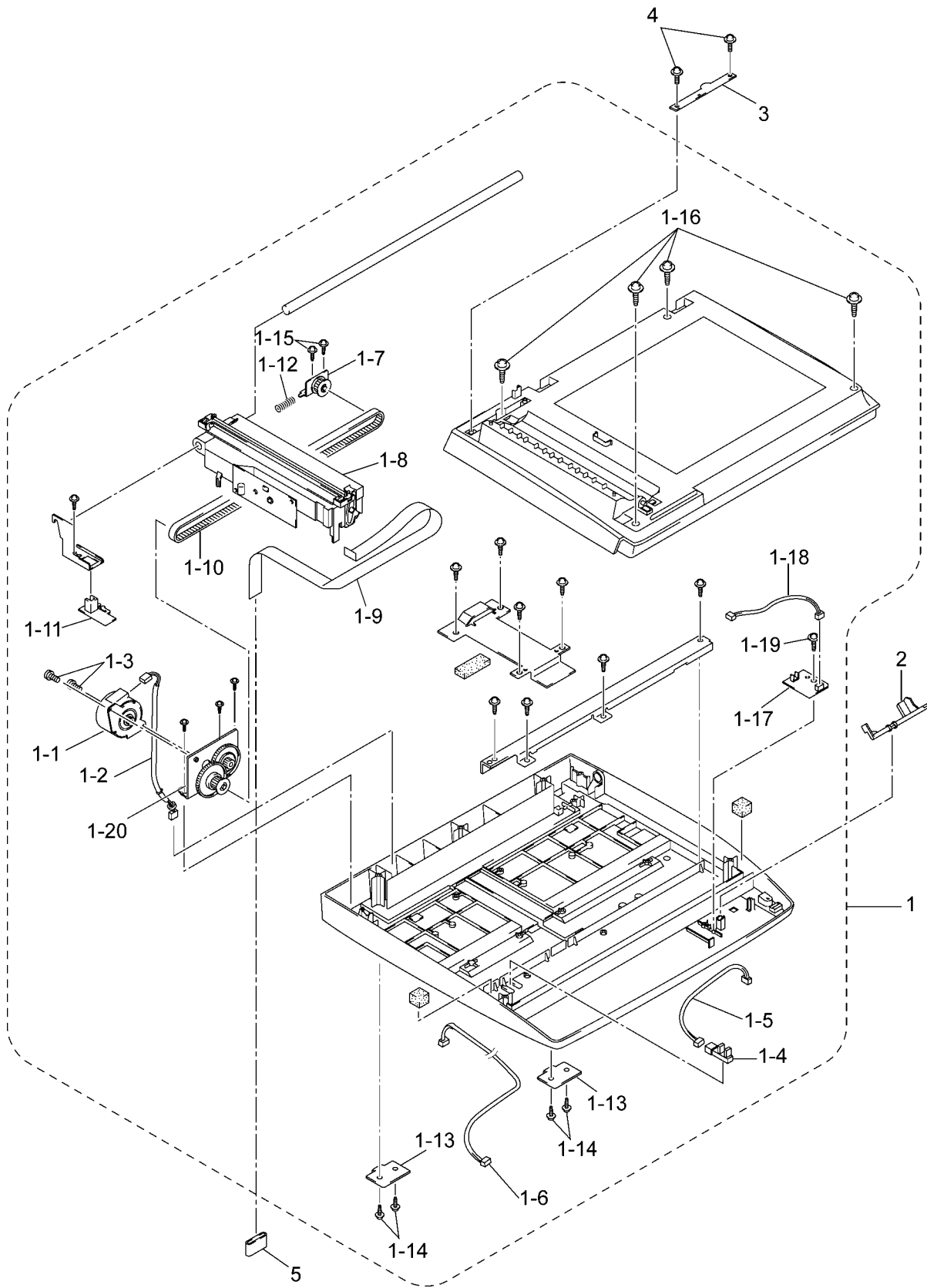
COUNTRIES

U.S.A. ----- US
Canada ----- CAN
Australia ----- ARL
New Zealand ----- NZ
Asia ----- ASA



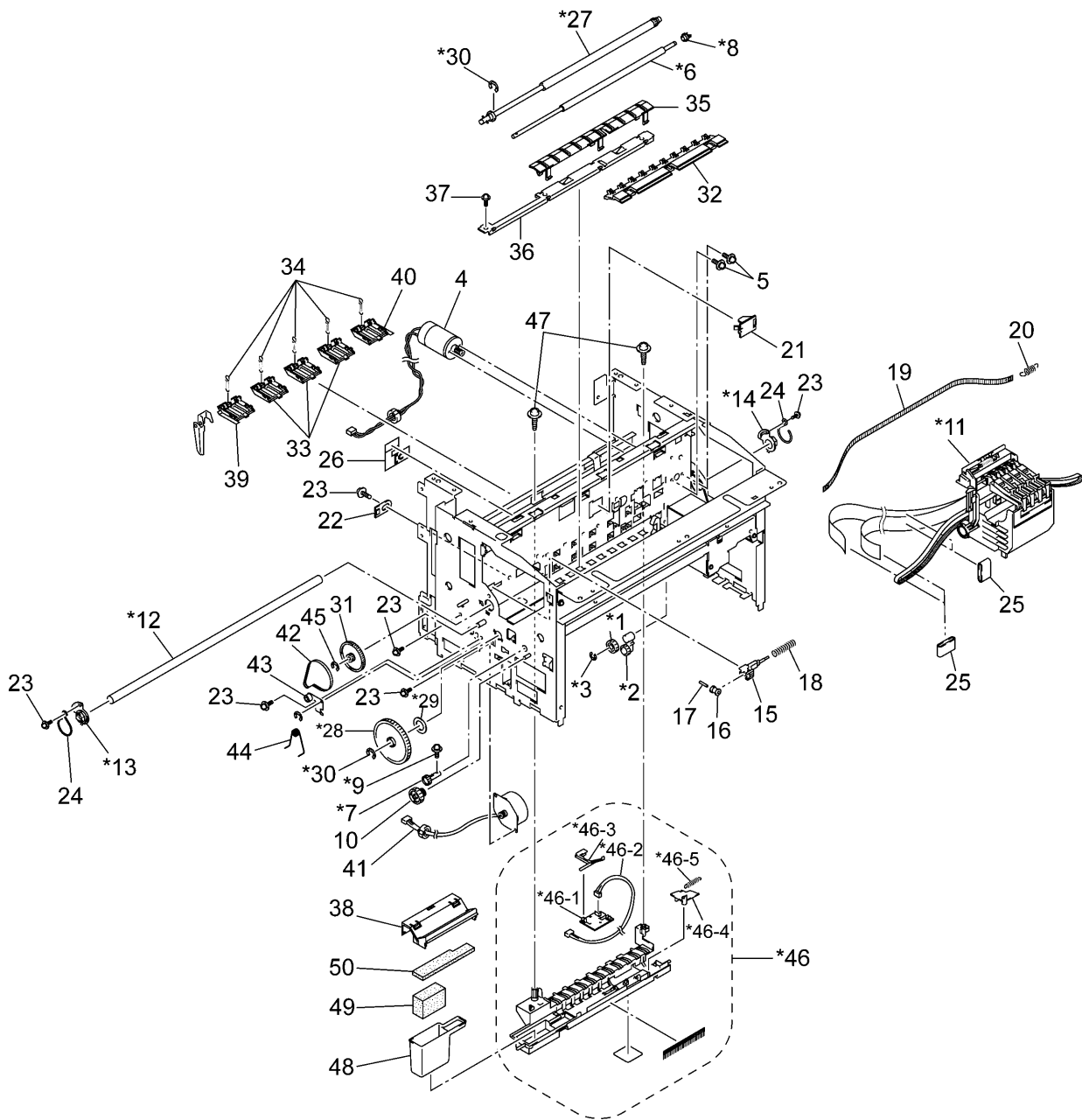
List1(ADF&TRAY)

REF.NO.	CODE	Q'TY	DESCRIPTION	REMARKS
1	LE2005001	1	ADF UNIT	
1-1	UG6609001	1	DOCUMENT SENSOR PCB	
1-2	LG2014001	1	DOCUMENT SENSOR HARNESS	
1-3	UF7026001	1	DOCUMENT FRONT SENSOR ACTUATOR	
1-4	LE2008001	1	DOCUMENT REAR SENSOR ACTUATOR	
1-5	LE2011001	1	COMPRESSION SPRING	
1-6	LE2551001	1	RUBBER HOLDER A	
1-7	UU2055001	1	SEPARATION RUBBER	
1-8	LE2550001	1	SPRING PLATE A	
1-9	LE2470001	1	ADF FILM	
1-10	UF6116001	1	TAPTITE, PAN B M3X6	
1-11	UF9009001	2	PRESSURE ROLLER	
1-12	LE2471001	1	PRESSURE ROLLER SHAFT	
1-13	LE2472001	2	PRESSURE ROLLER SPRING	
1-14	LE2566001	1	ADF MOTOR	
1-15	LG2015001	1	ADF MOTOR HARNESS	
1-16	0A4300605	2	SCREW, PAN (S/P WASHER) M3X6	
1-17	LG2016001	1	GROUNDING WIRE	
1-18	087310815	2	TAPTITE, CUP B M3X8	
1-19	LE2026001	1	UPPER LF ROLLER (GRAY)	
1-20	LE2029001	1	LOWER LF ROLLER (BLACK)	
1-21	LE2028001	1	DOCUMENT EJECTION ROLLER	
1-22	UF8105001	3	CONDUCTIVE BUSHING	
1-23	UU7039001	4	LF ROLLER GEAR 27	
1-24	LE2030001	1	WHITE ROLLER	
1-25	LE2032001	2	WHITE ROLLER BUSHING	
1-26	LE2033001	2	EXTENSION SPRING	
1-27	LE2919001	1	DOCUMENT FEED ROLLER HOLDER ASSY	
(1-27-1)	LE2037001	2	DOCUMENT FEED ROLLER (RUBBER)	
1-28	UU1290001	4	CONDUCTIVE BUSHING	
1-29	UU7505001	1	ANTI-STATIC BRUSH	
1-30	087320616	3	TAPTITE, CUP S M3X6	
1-31	UF0208001	1	ADF ARM	
1-32	LE2048001	1	DOCUMENT EJECTION CHUTE ASSY	
1-32-1	LE2582001	2	PINCH ROLLER	
1-32-2	UU2009001	2	PINCH ROLLER SPRING	
1-33	LE2050001	1	ADF SIDE COVER F, WHITE(1495)	
1-34	LE2051001	1	ADF SIDE COVER R, WHITE(1495)	
1-35	LE2534001	1	ADF COVER ASSY, WHITE(1495)	
1-36	087320816	2	TAPTITE, CUP S M3X8	
2	UF8088001	1	PLASTIC RETAINING RING	
3	LE2053001	2	ADF SUPPORT	
4	087310816	2	TAPTITE, CUP B M3X8	
5	LE3426001	1	DOCUMENT CHUTE, WHITE(1495)	
6	LE2487001	1	DOCUMENT SPONGE	
7	LE2056001	1	DOCUMENT TRAY, WHITE(1495)	
8	087320816	1	TAPTITE, CUP S M3X8	
9	LE2567001	2	HINGE A	
10	087311015	6	TAPTITE, CUP B M3X10	
11	LE2568001	2	HINGE HOLDER A	
12	LE2777001	1	DOCUMENT SUPPORT, WHITE(1495)	



List2(SCANNER UNIT)

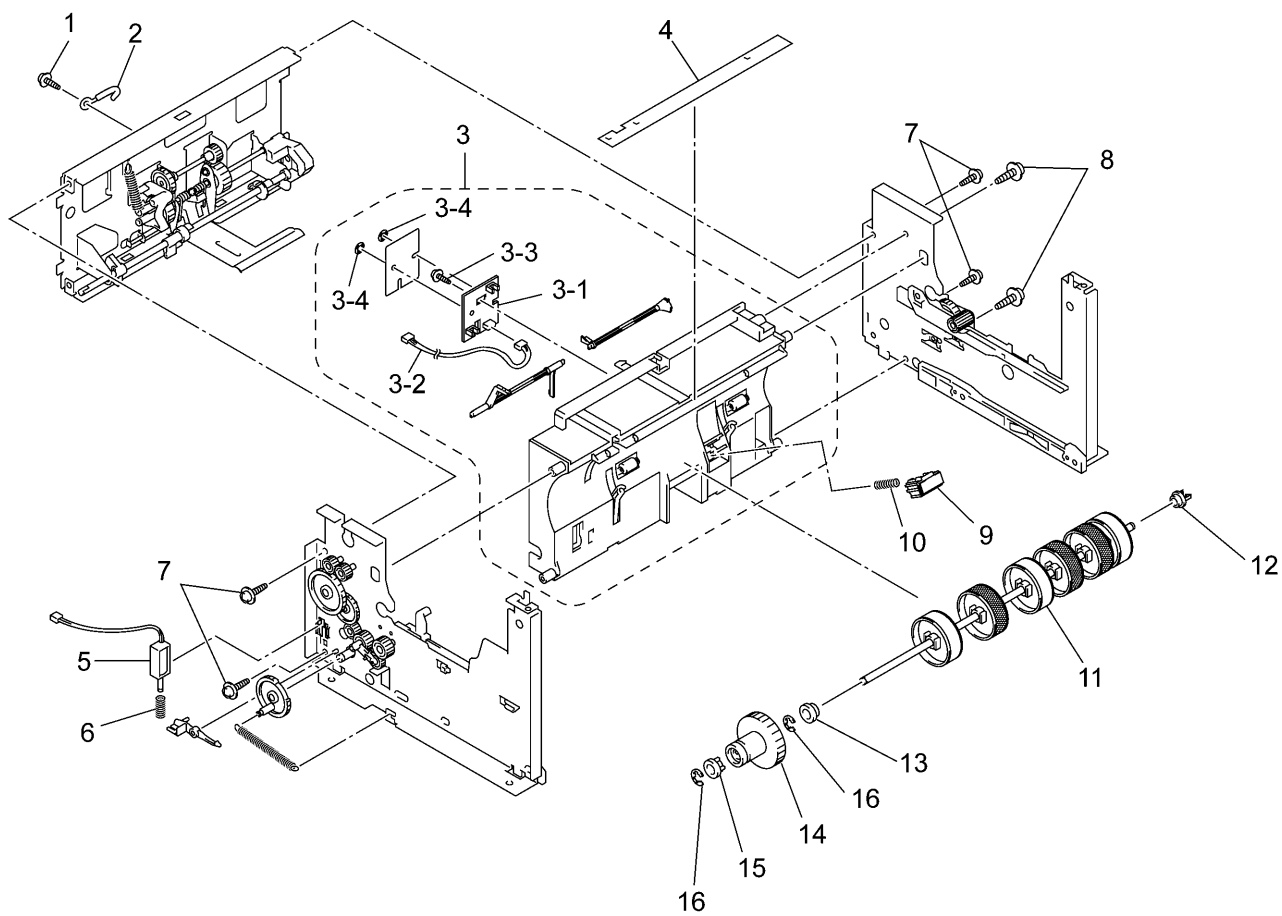
REF.NO.	CODE	Q'TY	DESCRIPTION	REMARKS
1	LE2883001	1	SCANNER UNIT SUPPLY ASSY	
1-1	UU7490001	1	CCD MOTOR	
1-2	LG2017001	1	CCD MOTOR HARNESS	
1-3	0A4300605	2	SCREW, PAN (S/P WASHER) M3X6	
1-4	LG2239001	1	CCD HP SENSOR	
1-5	LG2019001	1	CCD HP SENSOR HARNESS	
1-6	LG2025001	1	PANEL-MAIN HARNESS	
1-7	LE2074001	1	CCD IDLE PULLEY HOLDER ASSY	
1-8	LE2884001	1	CCD UNIT SUPPLY ASSY	
1-9	LG2196001	1	CCD FLAT CABLE	
1-10	LE2297001	1	CCD DRIVE BELT	
1-11	LE2082001	1	CCD LOCK	
1-12	LE2079001	1	COMPRESSION SPRING	
1-13	LE2098001	2	HINGE PLATE	
1-14	085411216	4	TAPTITE, BIND B M4X12	
1-15	LE2805001	2	TAPTITE, PAN B M3X10	
1-16	087411216	4	TAPTITE, CUP B M4X12	
1-17	LG2018001	1	COVER SENSOR PCB	
1-18	LG2137001	1	COVER SENSOR HARNESS	
1-19	087310815	1	TAPTITE, CUP B M3X8	
1-20	LE1775001	1	MOTOR BRACKET	
2	LE2095001	1	COVER SENSOR ACTUATOR	
3	LE2092001	1	HARNESS SUPPORT	
4	087310816	2	TAPTITE, CUP B M3X8	
5	LG2020001	1	FLAT CORE (CCD)	



List3(MAIN CHASIS)

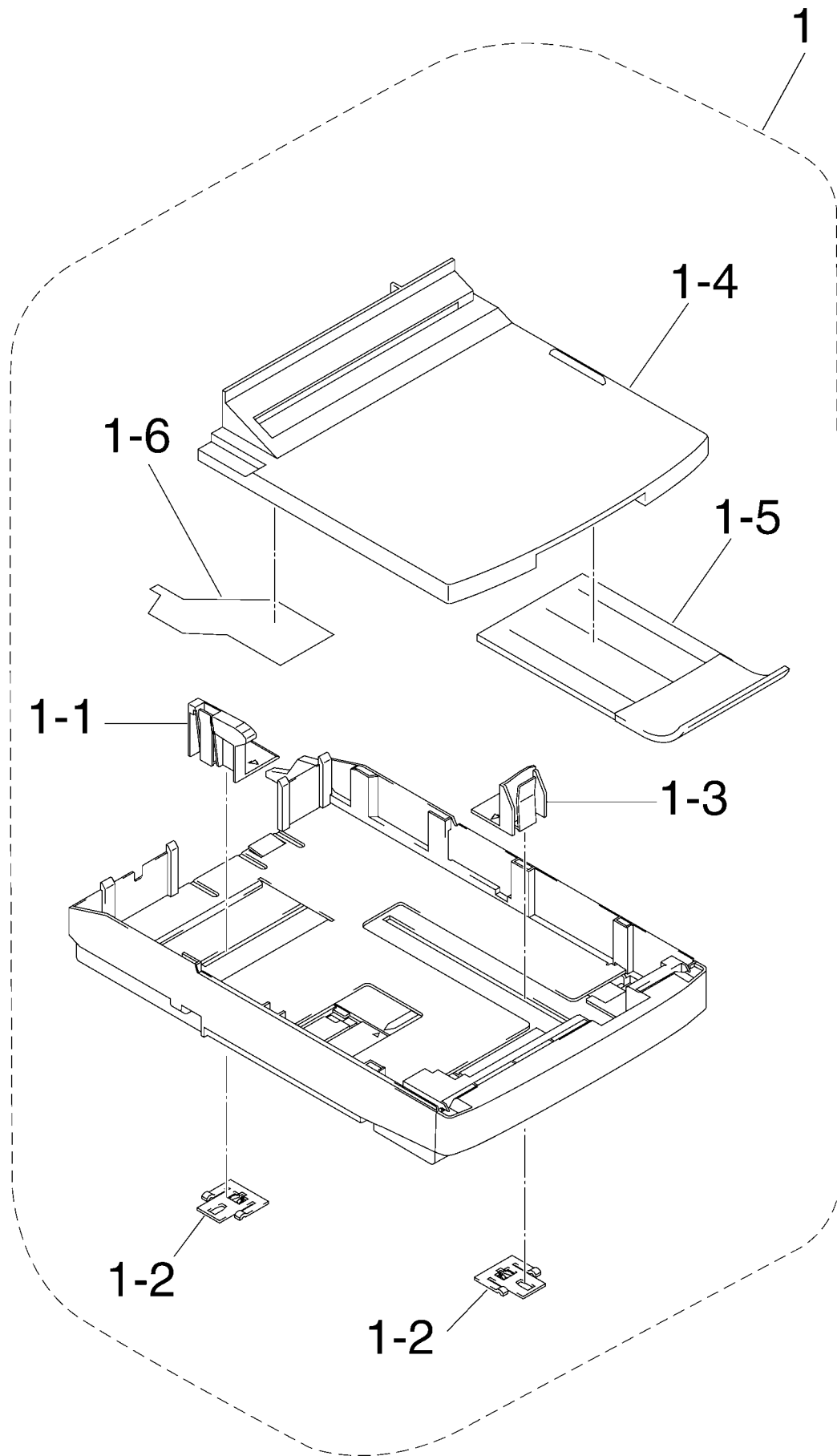
To replace part marked with an asterisk(*), you need the special adjustment jig set. If your service center has no special adjustment jig set, you cannot handle those parts as spare parts.

REF.NO.	CODE	Q'TY	DESCRIPTION	REMARKS
*1	LE2110001	1	IDLE GEAR 23	
*2	LE2111001	1	ARM 12.3 ASSY	
*3	048030345	1	RETAINING RING, E3	
4	LE3940001	1	CARRIAGE MOTOR	
5	0A5300605	2	SCREW, PAN (S/P WASHER) M3X6	
*6	UU1047001	1	PAPER EJECTION ROLLER	
*7	UU1049001	1	PAPER EJECTION ROLLER GEAR	
*8	UU1290001	1	CONDUCTIVE BUSHING	
*9	0A5260805	1	TAPTITE, PAN 2.6X8DB	
10	UU1050001	1	IDLE GEAR EJECTION	
*11	LE3079001	1	CARRIAGE ASSY (SUPPLY ASSY INCLUDING CR DRIVE BELT AND FLAT CABLES)	
(1-11-1)	UU1454001	1	CARRIAGE TIMING BELT	
*12	UU1077001	1	CARRIAGE RAIL	
*13	UU1078001	1	ECCENTRIC BUSHING L	
*14	UU1079001	1	ECCENTRIC BUSHING R	
15	UU1081001	1	IDLE PULLEY HOLDER	
16	UD6023000	1	IDLE PULLEY	
17	UD6025001	1	IDLE PULLEY SHAFT	
18	LE0010001	1	TENSION SPRING	
19	UD6014001	1	ENCODER STRIP	
20	UD6012001	1	SPRING, EXTENSION	
21	UU1088001	1	FFC HOLDER	
22	UU1286001	1	IDLE PULLEY STOPPER	
23	0A5300805	6	SCREW, PAN (S/P WASHER) M3X8	
24	UU1476001	2	BUSHING LOCK	
25	UG5569000	2	FLAT CORE	
26	UU1459001	1	CORE SUPPORT	
*27	LE2933001	1	PAPER FEED ROLLER	
*28	UU1094001	1	PAPER FEED ROLLER GEAR L	
*29	UU1092001	1	SPACER	
*30	048080345	2	RETAINING RING, E8	
31	UU1428001	1	IDLE GEAR P720	
32	UU1108001	1	STAR WHEEL HOLDER ASSY	
33	LE2759001	3	PAPER PRESSURE HOLDER ASSY	
34	UU1115001	5	PRESSER ROLLER SPRING	
35	UU1116001	1	PLATEN	
36	UU1117001	1	PLATEN FRAME	
37	087320616	1	TAPTITE, CUP S M3X6	
38	UU1315001	1	FLUSHING FOAM GUTTER	
39	LE2760001	1	PAPER PRESSURE HOLDER L	
40	LE2761001	1	PAPER PRESSURE HOLDER R	
41	LE2479001	1	PAPER FEED MOTOR	
42	UU1446001	1	PF DRIVE BELT	
43	UU1450001	1	TENSION PLATE ASSY	
44	UU1444001	1	SPRING	
45	048040345	1	RETAINING RING, E4	
*46	LE2117001	1	LOWER CHUTE ASSY	
*46-1	UG6609001	1	PAPER EJECTION/CASSETTE SENSOR PCB	
*46-2	LG2021001	1	PAPER EJECTION/CASSETTE SENSOR HARNESS	
*46-3	LE2119001	1	PAPER EJECTION SENSOR ACTUATOR	
*46-4	LE2120001	1	CASSETTE SENSOR ACTUATOR	
*46-5	UD4336001	1	ACTUATOR SPRING	
47	087411015	2	TAPTITE, CUP B M4X10	
48	UU1449001	1	FLUSHING FOAMS PACK	
49	UU1199001	2	LOWER FLUSHING FOAM	
50	UU1200001	1	UPPER FLUSHING FOAM	



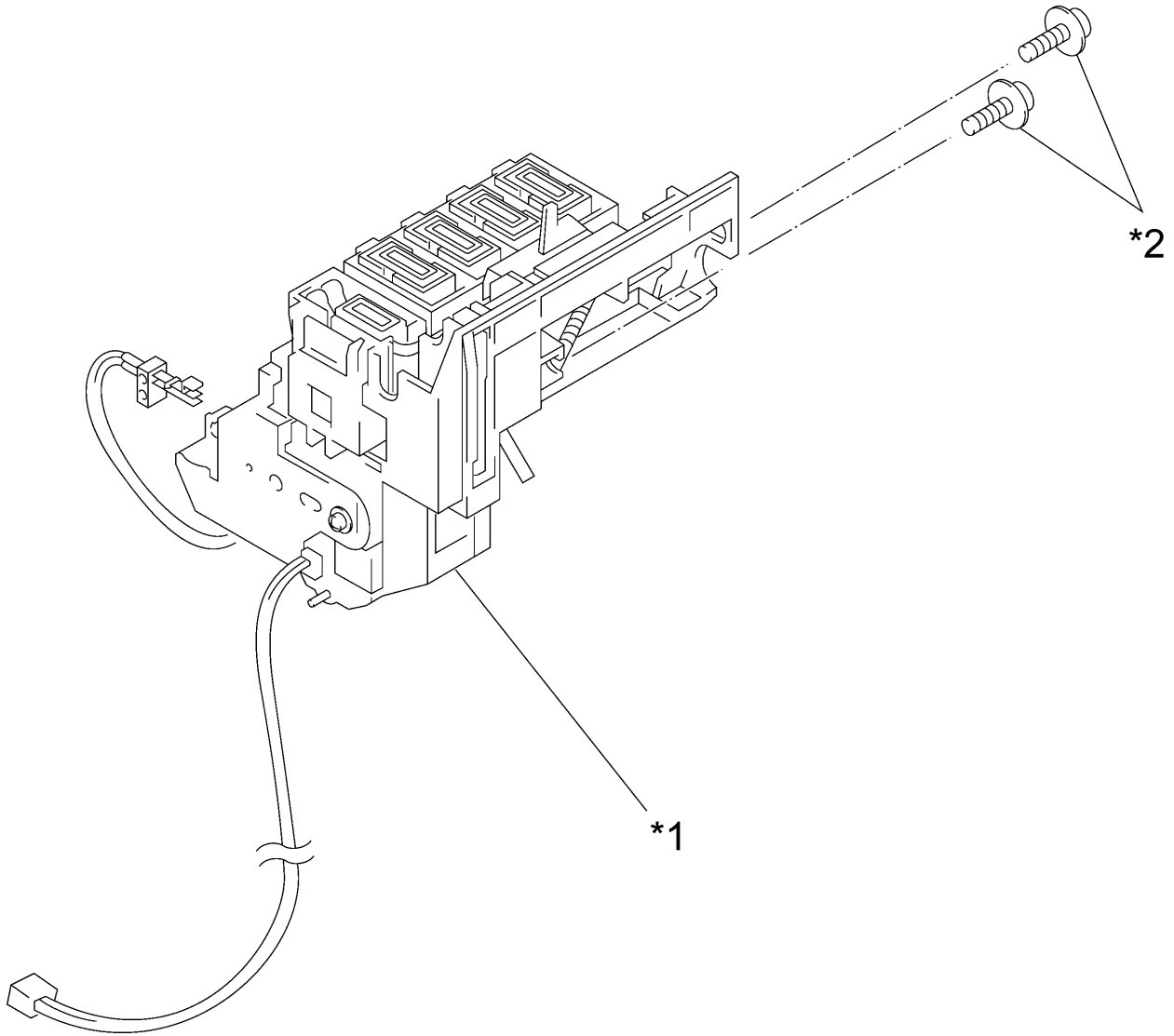
List4(PAPER TRANSPORT)

REF.NO.	CODE	Q'TY	DESCRIPTION	REMARKS
1	087320616	1	TAPTITE, CUP S M3X6	
2	LE2489001	1	CABLE CLIP	
3	LE2157001	1	UPPER PAPER CHUTE ASSY	
3-1	UG6609001	1	PAPER WIDTH/REGISTRATION SENSOR PCB	
3-2	LG2022001	1	PAPER WIDTH/REGISTRATION SENSOR HARNESS	
3-3	087270816	1	TAPTITE, CUP B M2.6X8	
3-4	UF0250000	2	PUSH NUT 3	
4	LE2169001	1	CHUTE FILM	
5	LE2481001	1	SOLENOID	
6	UD4319001	1	SOLENOID SPRING	
7	087320616	4	TAPTITE, CUP S M3X6	
8	087311016	2	TAPTITE, CUP B M3X10	
9	LE2208001	1	SEPARATION PAD HOLDER ASSY	
10	LE2211001	1	SEPARATION PAD SPRING	
11	LE2213001	1	PAPER PICK-UP ROLLER ASSY	
12	UU1290001	1	PAWLED BUSHING	
13	UF8105001	1	CONDUCTIVE BUSHING	
14	LE2220001	1	PAPER PICK-UP ROLLER GEAR ASSY	
15	LE2482001	1	COLLAR STOPPER	
16	048050346	2	RETAINING RING, E5	



List5(PAPER CASSETTE)

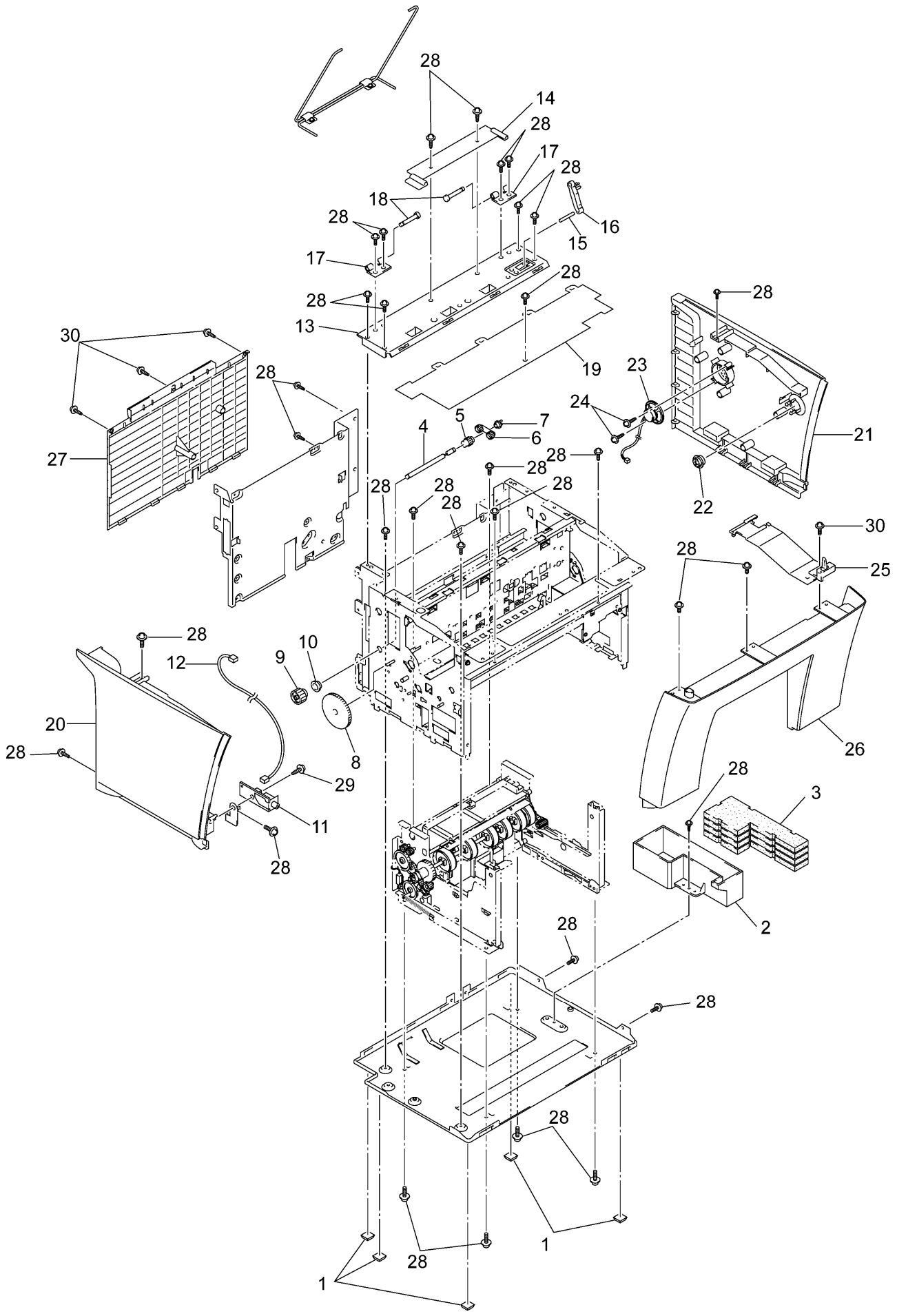
REF.NO.	CODE	Q'TY	DESCRIPTION	REMARKS
1	LE2228001	1	PAPER CASSETTE ASSY	
1-1	LE2234001	1	SIDE PAPER GUIDE	
1-2	LE2235001	2	GUIDE STOPPER	
1-3	LE2236001	1	FRONT PAPER GUIDE	
1-4	LE2239001	1	CASSETTE COVER	
1-5	LE2856001	1	PAPER EJECT SUB TRAY	ADD
1-6	LE2490001	1	CASSETTE GUIDE FILM	ADD



List6(PURGE UNIT)

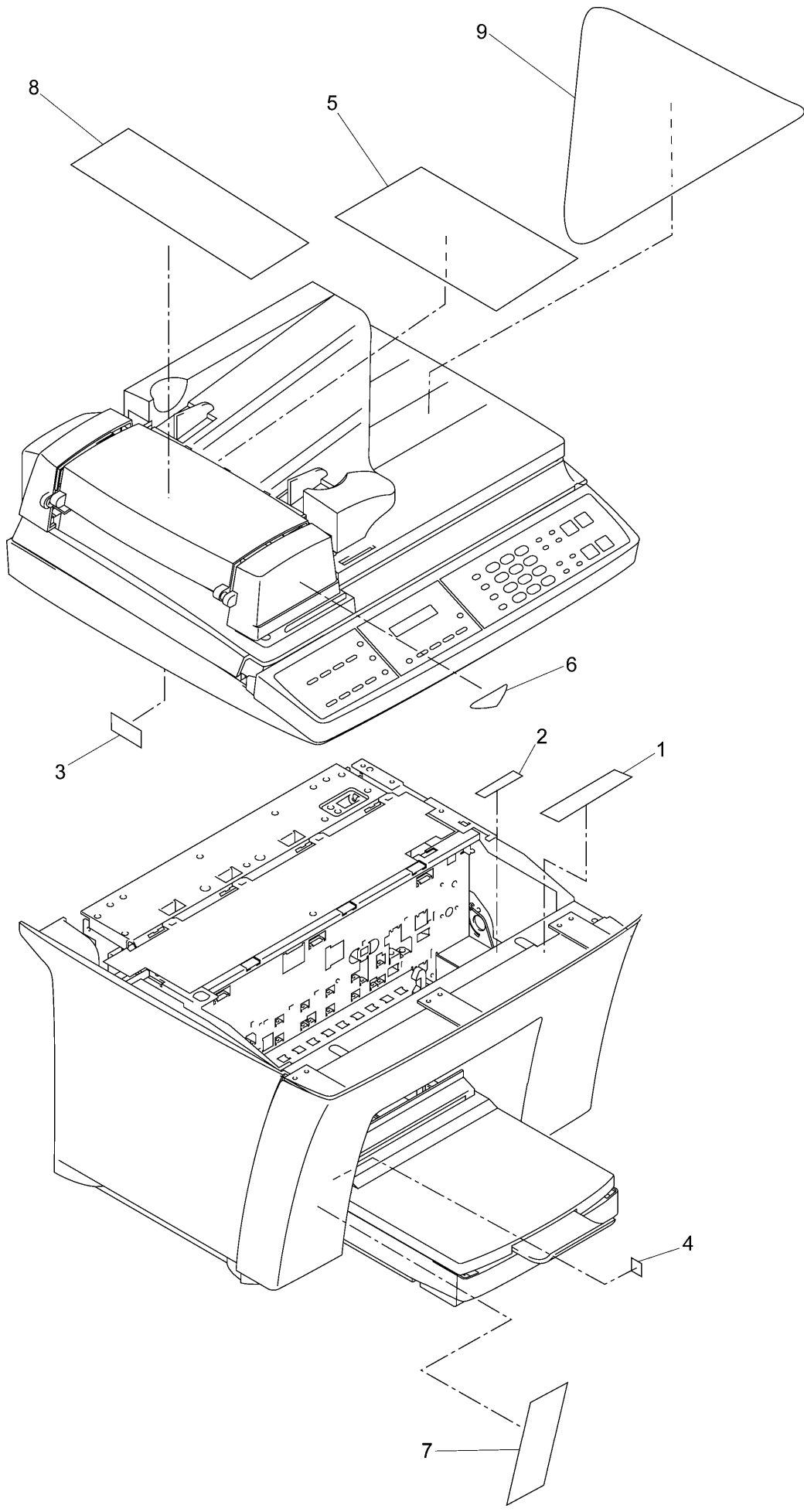
To replace part marked with an asterisk(*), you need the special adjustment jig set. If your service center has no special adjustment jig set, you cannot handle those parts as spare parts.

REF.NO.	CODE	Q'TY	DESCRIPTION	REMARKS
*1	LE2242001	1	PURGE UNIT ASSY	
*2	0A5300605	2	SCREW, PAN (S/P WASHER) M3X6	



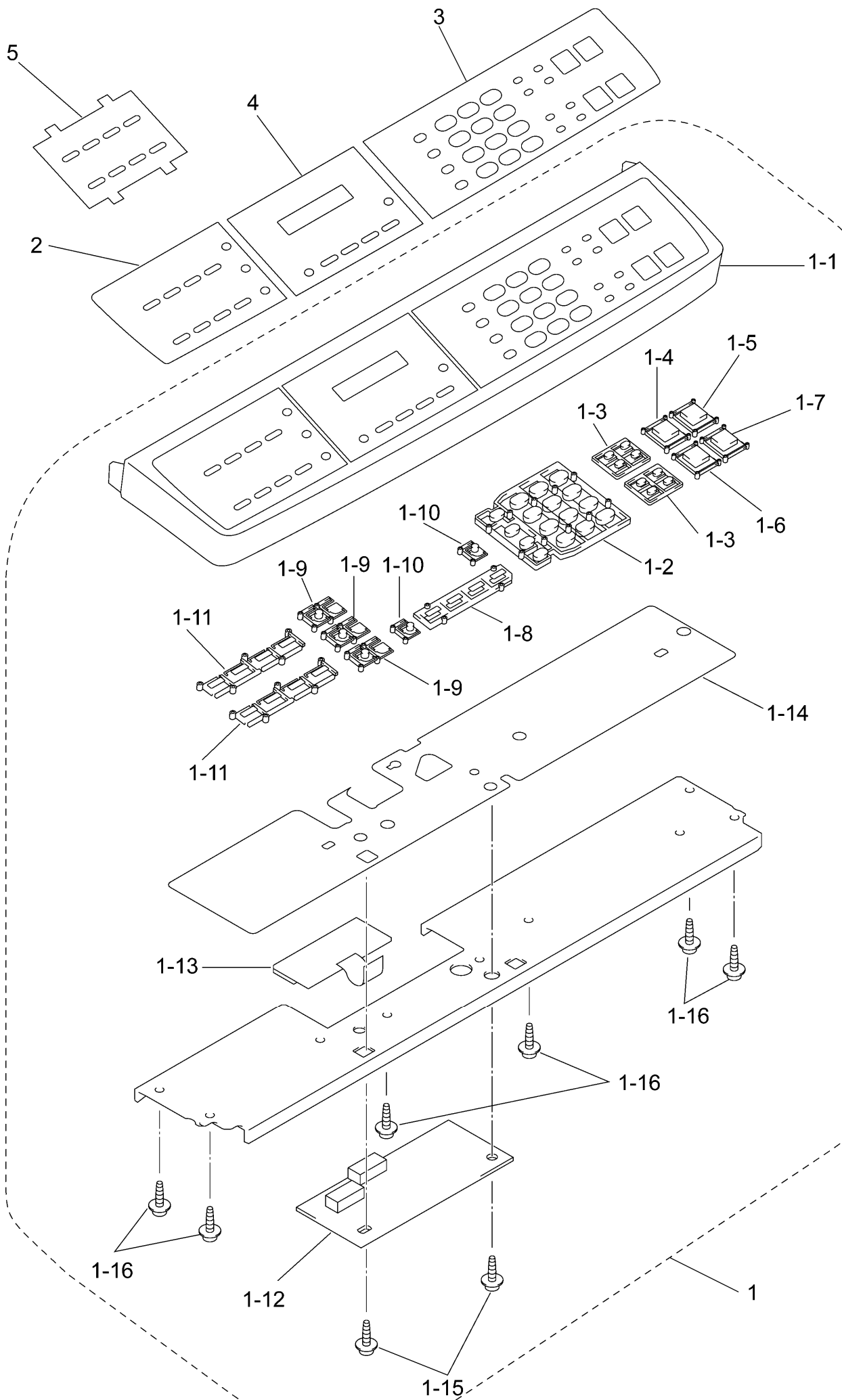
List7(COVER)

REF.NO.	CODE	Q'TY	DESCRIPTION	REMARKS
1	UL5600001	5	RUBBER FOOT	
2	LE2246001	1	DRAIN TANK	
3	UU1198001	4	INK ABSORBER	
4	LE2223001	1	PAPER FEED SHAFT ASSY	
5	LE2225001	1	GEAR M0.5/25	
6	LE2226001	1	ONE WAY ARM ASSY	
7	UU1290001	1	CONDUCTIVE BUSHING	
8	LE2221001	1	IDLE GEAR	
9	LE2222001	1	GEAR M0.6/25	
10	UF0022000	1	BUSHING	
11	UG5717001	1	VC CONNECTOR PCB ASSY	
12	LG2195001	1	VC HARNESS	
13	LE2248001	1	REAR FRAME	
14	LE2577001	1	TORSION BAR SUPPORT	
15	LE2773001	1	LINK SHAFT	
16	LE2758001	1	LINK	
17	LE2252001	2	HINGE PLATE	
18	LE2253001	2	PIVOT PIN	
19	LE2545001	1	COVER SHEET	
20	LE3427001	1	SIDE COVER L, WHITE(1495)	
21	LE2263001	1	SIDE COVER R, WHITE(1495)	
22	LE2264001	1	OPEN BUTTON	
23	LG2187001	1	SPEAKER	
24	UU1225001	2	TAPTITE, CUP B M4X10	
25	LE2265001	1	INNER COVER, WHITE(1495)	
26	LE3471001	1	FRONT COVER, WHITE(1495)	
27	LE2267001	1	REAR COVER, WHITE(1495) FOR US/CAN	
27	LE2499001	1	REAR COVER, WHITE(1495) FOR ARL/NZ/ASA	
28	087320616	32	TAPTITE, CUP S M3X6	
29	087310815	1	TAPTITE, CUP B M3X8	
30	087321016	4	TAPTITE, CUP S M3X10	



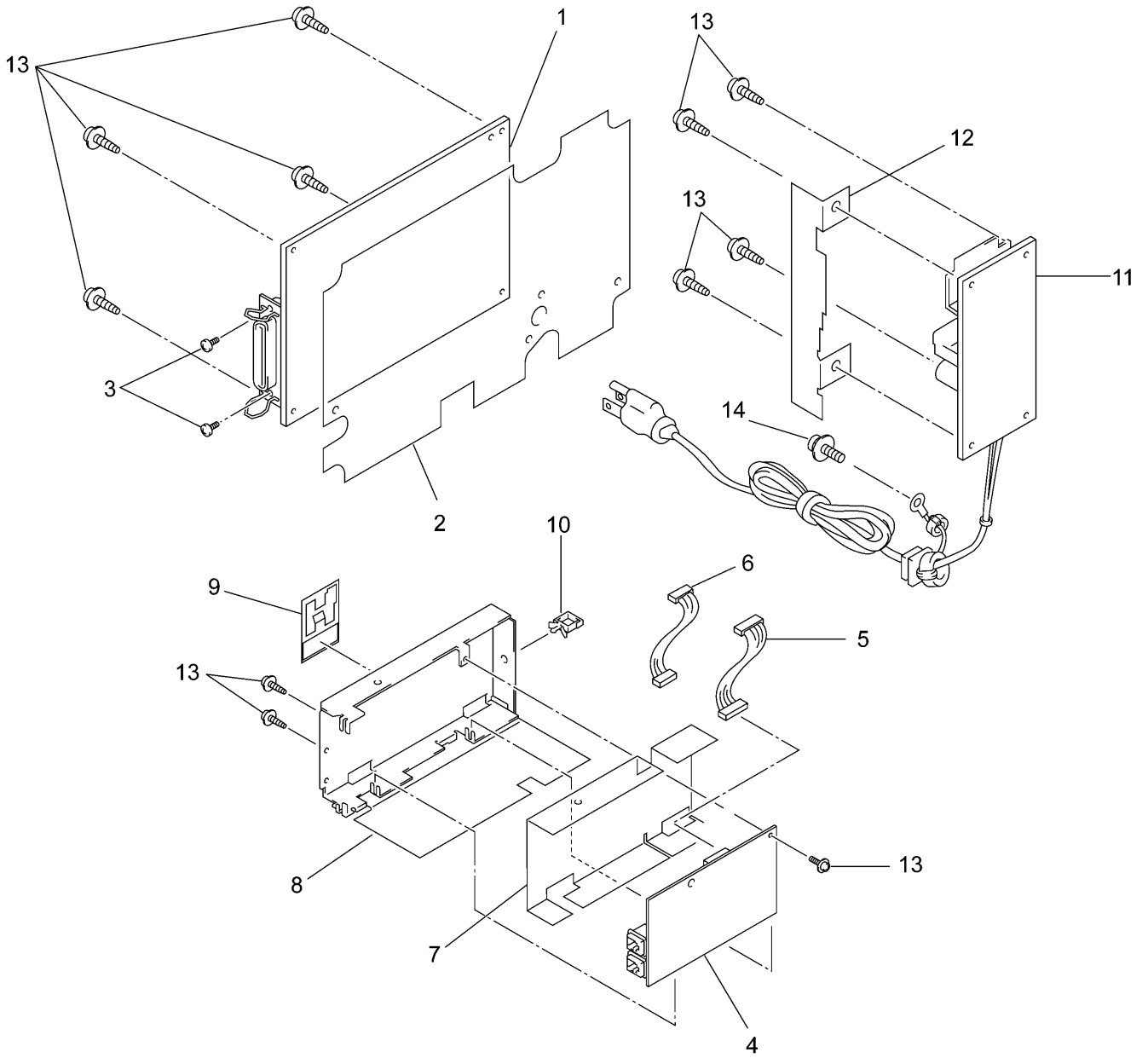
List8(LABEL)

REF.NO.	CODE	Q'TY	DESCRIPTION	REMARKS
1	UU1235001	1	INK REPLACEMENT INSTRUCTION LABEL	
2	UU1236001	1	HEAD GAP ADJUSTMENT INSTRUCTION LABEL	
3	LE2807001	1	SCANNER LOCK EXPLANATION LABEL	
4	LE2859001	1	PAPER JAM CLEARANCE INSTRUCTION LABEL	
5	UU0456001	1	PROTECTION PAPER	
6	UU1240001	1	COLOR MARK FOR US/CAN	
6	LE2498001	1	COLOR MARK FOR ARL/NZ/ASA	
7	LE2269001	1	MYLAR LABEL 9100-1 FOR US/CAN	
8	LE2270001	1	MYLAR LABEL 9100-2 FOR US/CAN	
8	LE2270006	1	MYLAR LABEL 9100-2 FOR ARL/NZ/ASA	
9	LE2533001	1	MYLAR LABEL 9100-3 FOR US/CAN	
9	LE2533006	1	MYLAR LABEL 9100-3 FOR ARL/NZ/ASA	



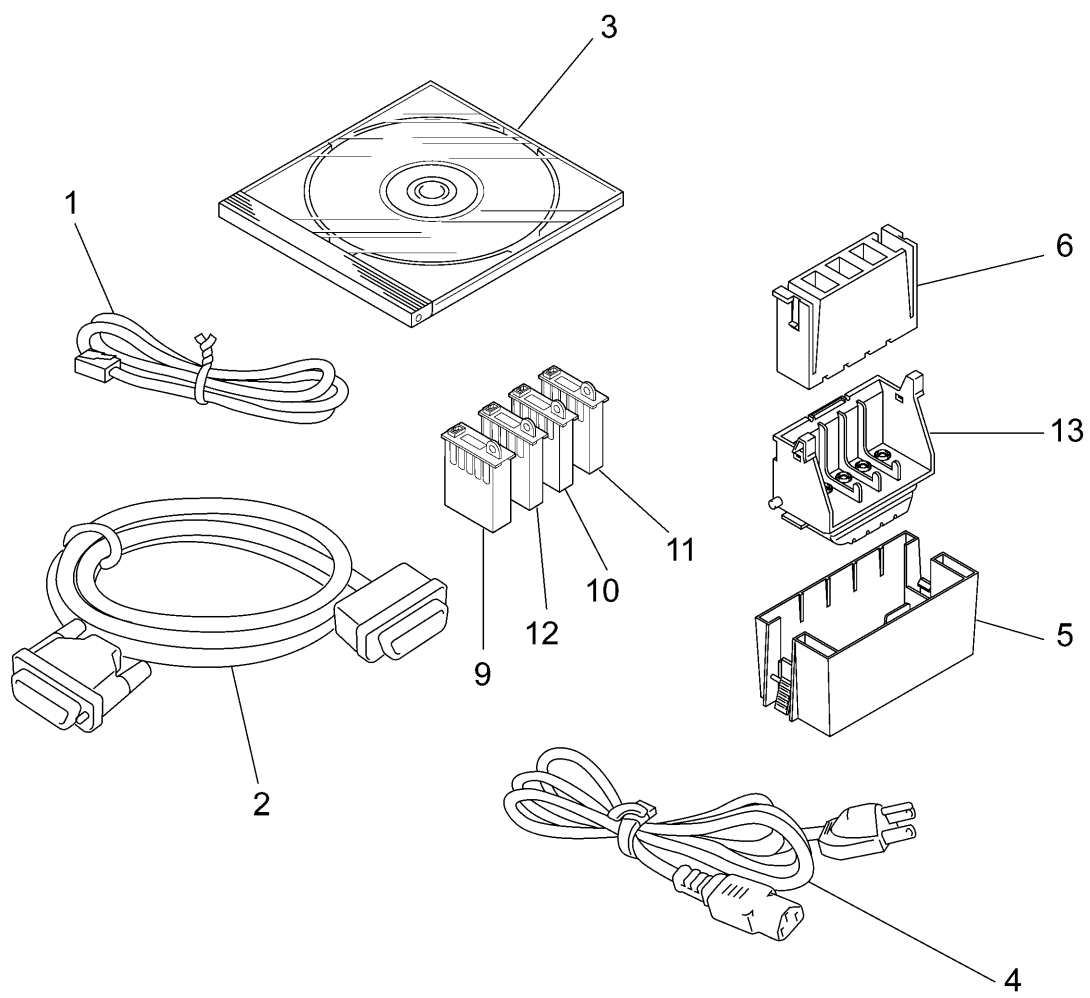
List9(CONTROL PANEL)

REF.NO.	CODE	Q'TY	DESCRIPTION	REMARKS
1	LE2272001	1	CONTROL PANEL ASSY, WHITE(1495)	
1-1	LE2273001	1	CONTROL PANEL, WHITE(1495)	
1-2	UF4393007	1	KEY, TEN, WHITE(1495)	
1-3	LE2274001	2	KEY, COPY/FAX AREA, WHITE(1495)	
1-4	UF8174008	1	KEY, MONO COPY, WHITE(1495)	
1-5	UF8174009	1	KEY, COLOR COPY, GREEN(5159)	
1-6	UF8174010	1	KEY, STOP, PINK(2205)	
1-7	UF8174011	1	KEY, START, PURPLE(6255)	
1-8	UF8176009	1	KEY, FUNCTION4, GRAY(1509)	
1-9	UF4576008	3	KEY, SHIFT, WHITE(1495)	
1-10	UF4576010	2	KEY, SHIFT, GRAY(1509)	
1-11	UF9118006	2	KEY, ONE TOUCH, WHITE(1495)	
1-12	LG2138001	1	CONTROL PANEL PCB ASSY	
1-13	UG4552000	1	LCD	
1-14	LG2190001	1	FPC KEY ASSY	
1-15	087270815	2	TAPTITE, CUP B M2.6X8	
1-16	087310615	6	TAPTITE, CUP B M3X6	
2	LE2277001	1	PANEL SHEET-1	
3	LE2278001	1	PANEL SHEET-2 FOR US/CAN	
3	LE2844001	1	PANEL SHEET-2 FOR ARL/NZ/ASA	
3	LE3021001	1	PANEL SHEET-2 FOR ASA	
4	LE2279001	1	LCD SHEET FOR US/CAN	
4	LE2845001	1	LCD SHEET FOR ARL/NZ/ASA	
5	LE2280001	1	ADDRESS LABEL	



List10(PCB ASSY)

REF.NO.	CODE	Q'TY	DESCRIPTION	REMARKS
1	LG2026001	1	MAIN PCB ASSY FOR US/CAN	
1	LG2532001	1	MAIN PCB ASSY FOR US	
1	LG2233001	1	MAIN PCB ASSY FOR ARL/NZ/ASA	
2	LE2258001	1	INSULATION FILM (MAIN)	
3	002300615	2	SCREW, PAN M3X6	
4	LG2139001	1	NCU PCB ASSY FOR US/CAN	
4	LG2311006	1	NCU PCB ASSY FOR ARL/NZ	
4	LG2305040	1	NCU PCB ASSY FOR ASA	
5	LG2140001	1	NCU MAIN HARNESS	
6	LG2231001	1	NCU MAIN HARNESS 2 FOR ARL/NZ/ASA	
7	LE2257001	1	INSULATION FILM (NCU)	
8	LE2484001	1	INSULATION FILM 2 (NCU)	
9	LE2543001	1	CORE SUPPORT	
10	UG4163000	1	CABLE CLAMP	
11	LE2878001	1	POWER SUPPLY PCB, 115V SUPPLY ASSY FOR US/CAN (INCLUDING AC CABLE)	
11	UG5573001	1	POWER SUPPLY PCB, 230V FOR ARL/NZ (EXCLUDING AC CABLE)	
11	UG5570001	1	POWER SUPPLY PCB, 230V FOR ASA (EXCLUDING AC CABLE)	
12	LE2483001	1	INSULATION FILM (POWER SUPPLY)	
13	087320616	11	TAPTITE, CUP S M3X6	
14	UF6559001	1	SCREW, PAN (WASHER) M4X8DB	



List11(Accessories&Others)

REF.NO.	CODE	Q'TY	DESCRIPTION	REMARKS
1	LG3077001	1	TELEPHONE LINE CORD FOR US/CAN	
1	UG1570001	1	TELEPHONE LINE CORD FOR ASA	
1	UG3628001	1	TELEPHONE LINE CORD FOR ARL	
1	UG3290001	1	TELEPHONE LINE CORD FOR NZ	
2	UG4558001	1	INTERFACE CABLE	
3	LE2281001	1	CD-ROM ASSY FOR US/CAN	
3	LE2846001	1	CD-ROM ASSY ARL/NZ/ASA	
4	LG2162001	1	AC CORD FOR ARL/NZ	
4	LG2086001	1	AC CORD FOR ASA	
5	ZA0423001	1	HEAD NOZZLE SEALS (INCLUDING 10PCS)	
6	ZA0424001	1	HEAD FILTER SEALS (INCLUDING 10PCS)	
(7)	ZA0310001	1	HEAD CLEANER STICK ASSY	
(8)	ZA0509001	1	INITIAL LIQUID CARTRIDGE ASSY (INCLUDING 4 EMPTY CARTRIDGES)	
9	ZA0492004	4	BLACK INK CARTRIDGES (INCLUDING 100PCS)	<Eliminated>
10	ZA0495004	4	CYAN INK CARTRIDGES (INCLUDING 100PCS)	<Eliminated>
11	ZA0498004	4	MAGENTA INK CARTRIDGES (INCLUDING 100PCS)	<Eliminated>
12	ZA0501004	4	YELLOW INK CARTRIDGES (INCLUDING 100PCS)	<Eliminated>
13	LK0045001	1	PRINT HEADS HD002 (INCLUDING 10PCS)	
(14)	ZA0304001	1	INITIAL LIQUID ASSY (INCLUDING INITIAL LIQUID (120CC) AND SYRINGE (25CC))	
(15)	LE0026001	1	FOAM EMPTY CARTRIDGE FOR INK SENSOR ADJUSTMENT	
(16)	LE0025001	1	EMPTY CARTRIDGE FOR INK SENSOR ADJUSTMENT	
(17)	UF9258001	1	COLOR TEST CHART CTC-001	
(18)	UF4600001	1	CONTRAST CHECK CHART TC-023	

List12(PRINTED MATERIAL)

REF.NO.	CODE	Q'TY	DESCRIPTION	REMARKS
(1)	LE2285001	1	OWNER'S MANUAL ASSY FOR US (INCLUDING OWNER'S MANUAL(1-1), TEST SHEET, REORDER FORM, QUICK REFERENCE GUIDE, WARRANTY CARD, AND LICENSE GUIDE)	
(1)	LE2554001	1	OWNER'S MANUAL ASSYFOR CAN (INCLUDING OWNER'S MANUALS(1-1), REORDER FORM, QUICK REFERENCE GUIDE, WARRANTY CARD, LICENSE GUIDE, TECH ASSIST PAGE AND PANEL STICKER)	
(1)	LE2848001	1	OWNER'S MANUAL ASSY FOR ARL/ASA (INCLUDING OPERATIONS MANUAL(1-1), MFL MANUAL(1-2) AND LICENSE GUIDE)	
(1)	LE2922001	1	OWNER'S MANUAL ASSY FOR ASA (INCLUDING OPERATIONS MANUAL(1-1), MFL MANUAL(1-2) AND LICENSE GUIDE)	
(1)	LE2855001	1	OWNER'S MANUAL ASSY FOR NZ (INCLUDING OPERATIONS MANUAL(1-1), MFL MANUAL(1-2) AND LICENSE GUIDE)	
(1-1)	LE2286001	1	OWNER'S MANUAL FOR US	
(1-1)	LE2555001	1	OWNER'S MANUAL FOR CAN<ENGLISH>	
(1-1)	LE2557001	1	OWNER'S MANUAL FOR CAN<FRENCH>	
(1-1)	LE2286006	1	OPERATIONS MANUAL FOR ARL/NZ/ASA	
(1-1)	LE2286027	4	OPERATIONS MANUAL FOR NZ	<Eliminated>
(1-2)	LE2849001	1	MFL MANUAL FOR ARL/NZ/ASA	

List13(CARTON)

REF.NO.	CODE	Q'TY	DESCRIPTION	REMARKS
(1)	LE2287001	1	CARTON, BROTHER MFC9100C FOR US	
(1)	LE2559001	1	CARTON, BROTHER MFC9100C FOR CAN	
(1)	LE2850006	1	CARTON, BROTHER MFC9100C FOR ARL/NZ/ASA	
(2)	LE2288001	1	STYROFOAM ASSY	
(3)	LE2565001	1	POLY-ETHYLENE BAG FOR MACHINE, 900X850H	
(4)	LE2291001	1	CARTON, FOR MANUAL	
(5)	LE2292001	1	PAD, 320X240	

brother®