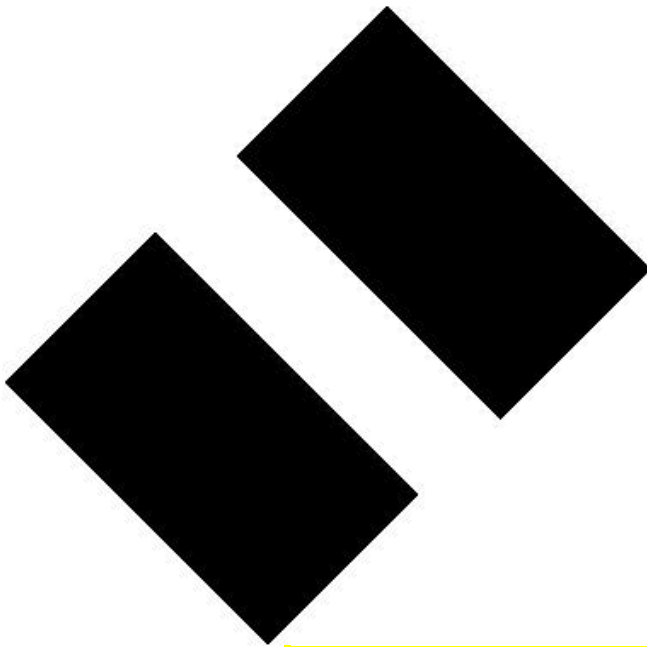




FACSIMILE EQUIPMENT
PARTS REFERENCE LIST

MODEL: FAX750/770/870MC
MFC970MC



Enable Thumbnails

Enable Book Marks

Exit Acrobat Viewer

NOTES FOR USING THIS PARTS REFERENCE LIST

1. In the case of ordering parts, it needs mentioning the following items:

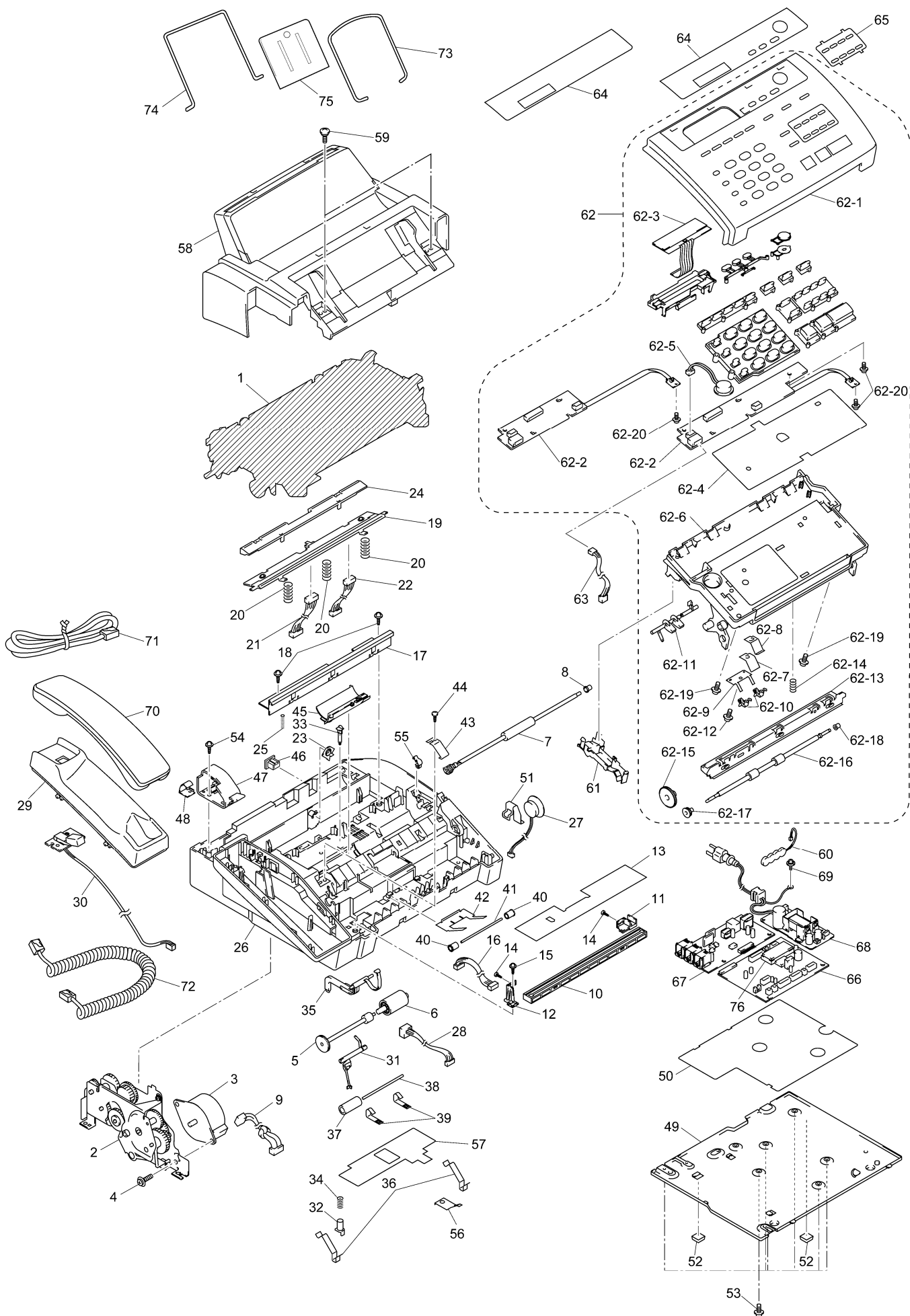
- (1) Code
- (2) Q' ty
- (3) Description

Note: No orders without Parts Code or Tool No. can be accepted.

[Example]

	(1)	(2)	(3)	
REF.NO.	CODE	Q' TY	DESCRIPTION	REMARKS

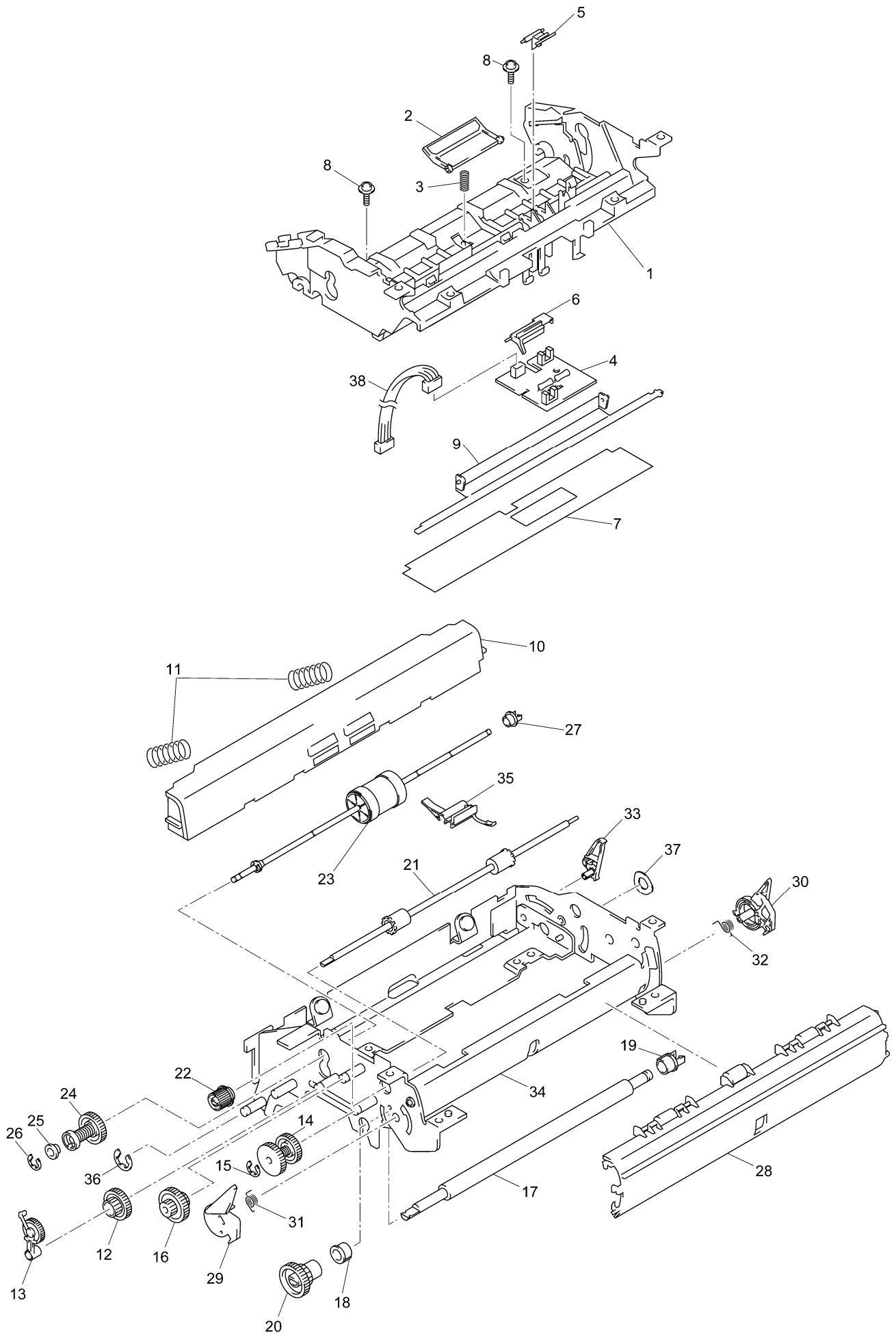
2. Parts change will be informed by the technical information.



REF.NO.	CODE	Q'TY	DESCRIPTION	REMARKS
1			PLATEN FRAME ATTACHMENT	
2	UF9650001	1	DRIVE UNIT	
3	Z25947001	1	MOTOR	
4	U09759001	1	SCREW, PAN (WASHER) M3X6 DB	
5	UF9693001	1	SEPARATION ROLLER GEAR	
6	UF6613001	1	SEPARATION ROLLER	
7	UU0244001	1	LF ROLLER ASSY	
8	UF9949001	1	BEARING, EJECTION ROLLER	
9	UG6602001	1	MOTOR HARNESS	
10	UG6683001	1	CIS UNIT	
11	UF9814001	1	CIS HOLDER, R	
12	UF9815001	1	CIS HOLDER, L	
13	UF9816001	1	CIS FILM	
14	085310815	2	TAPTITE, BIND B M3X8	
15	UU0231001	1	TAPTITE, PAN B M3X8	
16	UG5013001	1	CIS-MAIN HARNESS	
17	UF9851001	1	RECORDER FRAME	
18	087310815	2	TAPTITE, CUP B M3X8	
19	UF9852001	1	RECORDING HEAD ASSY	
20	UF8072001	3	HEAD SPRING, COMPRESSION	
21	UG6606001	1	MAIN-HEAD HARNESS FOR FAX750/FAX770	
21	UG6707001	1	MAIN-HEAD HARNESS FOR FAX870MC/MFC970MC	
22	UG6607001	1	HEAD-POWER HARNESS	
23	UF9855001	1	HEAD ADJUSTER	
24	UF9856001	1	HEAD PROTECTOR	
25	UF9857001	1	GROUNDING SPRING	
26	UF9800001	1	MAIN FRAME, GRAY(1395) FOR FAX750	
26	UF9800002	1	MAIN FRAME, WHITE(1397) FOR FAX770/FAX870MC	
26	UF9800003	1	MAIN FRAME, WHITE(1138) FOR MFC970MC	
27	UG6670001	1	SPEAKER	
28	UG6698001	1	PC I/F MODULAR HARNESS	
29	UF9801001	1	HANDSET MOUNT, GRAY(1395) FOR FAX750	
29	UF9801002	1	HANDSET MOUNT, WHITE(1397) FOR FAX770/FAX870MC	
29	UF9801003	1	HANDSET MOUNT, WHITE(1138) FOR MFC970MC	
30	UG6615001	1	HOOK SWITCH PCB	
31	UF9802001	1	DOCUMENT REAR SENSOR ACTUATOR	
32	UF9803001	1	COVER SENSOR ACTUATOR A	
33	UF9817001	1	COVER SENSOR ACTUATOR B	
34	UF9818001	1	COVER SENSOR ACTUATOR SPRING	
35	UF9804001	1	RIBBON SENSOR ACTUATOR	
36	UF9806001	2	PANEL-LOCK LEAF SPRING	
37	UU0021001	1	PINCH ROLLER	
38	UF6267000	1	PINCH ROLLER SHAFT	
39	UF9807001	2	PINCH ROLLER SPRING	
40	UL6244002	2	DOCUMENT PRESSURE ROLLER	
41	UF6267000	1	DOCUMENT PRESSURE ROLLER SHAFT	
42	UF9808001	1	DOCUMENT PRESSURE ROLLER SPRING	
43	UU0074001	1	LF LEAF SPRING	
44	085310815	1	TAPTITE, BIND B M3X8	
45	UF9809004	1	ROM COVER, GRAY(1267)	
46	UF4759000	1	PC I/F COVER, NATURAL FOR FAX770/FAX870MC	
46	UF4759002	1	PC I/F COVER, BLACK FOR FAX750	
47	UF9810001	1	COVER STOPPER	
48	UF9875001	1	COVER STOPPER SPRING PLATE	

REF.NO.	CODE	Q'TY	DESCRIPTION	REMARKS
49	UF9822001	1	BOTTOM PLATE	
50	UF9846001	1	INSULATION SHEET	
51	UF9847001	1	SPEAKER SUPPORT SPRING	
52	UF6761001	2	RUBBER FOOT	
53	087310815	7	TAPTITE, CUP B M3X8	
54	087310815	1	TAPTITE, CUP B M3X8	
55	UF9812001	1	RIBBON SHAFT STOPPER	
56	UF9819001	1	RIBBON SHAFT STOPPER SPRING	
57	UF9824001	1	HARNES GUIDE FILM	
58	UF9848001	1	RECORDING PAPER COVER ASSY, GRAY(1395) FOR FAX750	
58	UF9848002	1	RECORDING PAPER COVER ASSY, WHITE(1397) FOR FAX770/FAX870MC	
58	UF9848003	1	RECORDING PAPER COVER ASSY, WHITE(1138) FOR MFC970MC	
59	UF9823001	2	SHOULDER SCREW	
60	UG3732001	1	BATTERY ASSY FOR FAX870MC/MFC970MC	
61	UF9963001	1	HARNES HOLDER	
62	UF9957001	1	CONTROL PANEL ASSY, GRAY(1395) FOR FAX750	
62	UU0046002	1	CONTROL PANEL ASSY, WHITE(1397) FOR FAX770	
62	UU0035002	1	CONTROL PANEL ASSY, WHITE(1397) FOR FAX870MC	
62	UU0035003	1	CONTROL PANEL ASSY, WHITE(1138) FOR MFC970MC	
62-1	UU0042001	1	CONTROL PANEL, GRAY(1395) FOR FAX750	
62-1	UU0042002	1	CONTROL PANEL, WHITE(1397) FOR FAX770	
62-1	UU0045002	1	CONTROL PANEL, WHITE(1397) FOR FAX870MC	
62-1	UU0045003	1	CONTROL PANEL, WHITE(1138) FOR MFC970MC	
62-2	UG6619001	1	PANEL PCB ASSY FOR FAX750/FAX770	
62-2	UG6643001	1	PANEL PCB ASSY FOR FAX870MC/MFC970MC	
62-3	UG3062001	1	LCD	
62-4	UG6624001	1	FPC KEY	
62-5	UG6703001	1	MICROPHONE FOR FAX870MC/MFC970MC	
62-6	UF9775001	1	PANEL REAR COVER	
62-7	UU0145001	1	SEPARATION RUBBER	
62-8	UF9777001	1	SPRING PLATE B	
62-9	UF9778001	1	SPRING PLATE A	
62-10	UF9995001	2	SPRING COVER	
62-11	UF9779001	1	DOCUMENT FRONT SENSOR ACTUATOR	
62-12	UF6116001	1	TAPTITE, PAN (WASHER) B M3X6	
62-13	UF9791001	1	DOCUMENT PRESSURE BAR	
62-14	UF9781001	1	DOCUMENT PRESSURE BAR SPRING	
62-15	UF9782001	1	GEAR 37	
62-16	UF9783001	1	DOCUMENT EJECTION ROLLER	
62-17	UF9787001	1	DOCUMENT EJECTION ROLLER GEAR	
62-18	UF9949001	1	BEARING, EJECTION ROLLER	
62-19	087310815	2	TAPTITE, CUP B M3X8	
62-20	087270615	1	TAPTITE, CUP B M2.6X6 FOR FAX750/FAX770	
62-20	087270615	2	TAPTITE, CUP B M2.6X6 FOR FAX870MC/MFC970MC	
63	UG6625001	1	PANEL-MAIN HARNES FOR FAX750/FAX770	
63	UG6690001	1	PANEL-MAIN HARNES FOR FAX870MC/MFC970MC	
64	UF9975001	1	LCD PLATE FOR FAX750	
64	UF9991001	1	LCD PLATE FOR FAX770	
64	UF9992001	1	LCD PLATE FOR FAX870MC	
64	UF9936001	1	LCD PLATE FOR MFC970MC	
65	UF9789001	1	ADDRESS LABEL	
66	UG6628001	1	MAIN PCB SUB ASSY FOR FAX750/FAX770	
66	UG6655011	1	MAIN PCB SUB ASSY FOR FAX870MC/MFC970MC	
67	UG6675001	1	NCU PCB ASSY FOR FAX750/FAX770	

REF.NO.	CODE	Q'TY	DESCRIPTION	REMARKS
67	UG6688051	1	NCU PCB ASSY FOR FAX870MC/MFC970MC	
68	UG6641001	1	POWER SUPPLY PCB ASSY	
69	UF4444001	1	SCREW, PAN (WASHER) M4X6 DB	
70	UF6857001	1	HANDSET, GRAY(1395) FOR FAX750	
70	UF6857002	1	HANDSET, WHITE(1397) FOR FAX770/FAX870MC	
70	UF6857003	1	HANDSET, WHITE(1138) FOR MFC970MC	
71	UG1570001	1	TELEPHONE LINE CORD FOR US	
71	UG3565001	1	TELEPHONE LINE CORD FOR CAN	
72	UG3543001	1	HANDSET CURLED CORD, GRAY(1395) FOR FAX750	
72	UG3543002	1	HANDSET CURLED CORD, WHITE(1397) FOR FAX770/FAX870MC	
72	UG3543003	1	HANDSET CURLED CORD, WHITE(1138) FOR MFC970MC	
73	UF5607000	1	DOCUMENT WIRE EXTENSION	
74	UF9869001	1	PAPER WIRE EXTENSION	
75	UF9987001	1	PAPER SUPPORT	
76	UG2489001	1	PROM:FAX750/FAX770	
76	UG2495001	1	PROM:FAX870MC/MFC970MC FOR US	
76	UG2881001	1	PROM:FAX870MC/MFC970MC FOR CAN	
(77)	UF9860001	1	RIBBON CASSETTE UNIT	
(78)	UF0443001	2	HEAD PROTECTION SHEET	
(79)	UU0040001	1	MFL D PAD ASSY FOR MFC970MC	
(80)	UU0041001	1	MFL BAG ASSY FOR MFC970MC	
(81)	UU0222001	1	OPERATIONS MANUAL ASSY, FAX750 FOR US	
(81)	UU0232001	1	OPERATIONS MANUAL ASSY, FAX770 FOR US	
(81)	UU0224001	1	OPERATIONS MANUAL ASSY, MFC970MC FOR US	
(81)	UU0223001	1	OPERATIONS MANUAL ASSY, FAX750 FOR CAN	
(81)	UU0233001	1	OPERATIONS MANUAL ASSY, FAX770 FOR CAN	
(81)	UU0225001	1	OPERATIONS MANUAL ASSY, MFC970MC FOR CAN	
(82)	UF9927001	1	OPERATIONS MANUAL, FAX870MC/MFC970MC FOR US	
(82)	UU0304001	1	OPERATIONS MANUAL, FAX750/FAX770 FOR US	
(82)	UU0056001	1	OPERATIONS MANUAL, FAX870MC/MFC970MC FOR CAN <ENGLISH>	
(82)	UU0306001	1	OPERATIONS MANUAL, FAX750/FAX770 FOR CAN <ENGLISH>	
(82)	UU0057001	1	OPERATIONS MANUAL FOR CAN <FRENCH>	
(83)	UF9928001	1	QUICK REFERENCE GUIDE <ENGLISH>	
(83)	UU0060001	1	QUICK REFERENCE GUIDE FOR CAN <FRENCH>	
(84)	UE1762001	1	CARTON, FAX750 FOR US	
(84)	UE1903001	1	CARTON, FAX750 FOR CAN	
(84)	UE1770001	1	CARTON, FAX770 FOR US	
(84)	UE1904001	1	CARTON, FAX770 FOR CAN	
(84)	UE1771001	1	CARTON, FAX870MC FOR US	
(84)	UE1905001	1	CARTON, FAX870MC FOR CAN	
(84)	UE1772001	1	CARTON, MFC970MC FOR US	
(84)	UE1906001	1	CARTON, MFC970MC FOR CAN	
(85)	UE1763001	1	STYROFORM	
(86)	UE1172001	1	BAG, 570X650H	
(87)	UE1766001	1	CARTON FOR ACCESSORIES	



1. PLATEN FRAME ATTACHMENT				
REF.NO.	CODE	Q'TY	DESCRIPTION	REMARKS
1	UF9736001	1	PAPER FEED CHUTE	
2	UF9737001	1	SEPARATION PAD	
3	UF9740001	1	SEPARATION PAD SPRING	
4	UG6609001	1	SENSOR PCB	
5	UF9741001	1	PAPER EDGE SENSOR ACTUATOR	
6	UF9742001	1	PAPER EJECTION SENSOR ACTUATOR	
7	UF9744001	1	CHUTE FILM	
8	U24014001	2	TAPTITE, CUP S M3.0X6	
9	UF9750001	1	PRESSURE PLATE LINK	
10	UF9746001	1	PRESSURE PLATE	
11	UF9745001	2	PRESSURE PLATE SPRING	
12	UF9712001	1	GEAR 24/28, SUN GEAR	
13	UF9713001	1	ARM P ASSY	
14	UF9715001	1	CLUTCH GEAR 37 ASSY	
15	048030346	1	RETAINING RING, E3	
16	UF9719001	1	GEAR 19/38	
17	UF9720001	1	PLATEN	
18	UF9722001	1	PLATEN SHAFT BUSHING, L	
19	UF9723001	1	PLATEN SHAFT BUSHING, R	
20	UF9724001	1	GEAR 25/27	
21	UF9725001	1	PAPER EJECTION ROLLER	
22	UF9727001	1	PAPER EJECTION ROLLER GEAR	
23	UF9728001	1	PAPER FEED ROLLER ASSY	
24	UF9730001	1	GEAR 43 ASSY	
25	UF9734001	1	COLLAR STOPPER	
26	048040346	1	RETAINING RING, E4	
27	UF0026001	1	PAWLED BUSHING	
28	UF9751001	1	CHUTE B ASSY	
29	UF9755001	1	LOCK LEVER L, BLUE(6155)	
30	UF9756001	1	LOCK LEVER R, BLUE(6155)	
31	UF9757001	1	LOCK LEVER SPRING, L	
32	UF9758001	1	LOCK LEVER SPRING, R	
33	UF9792001	1	PRESSURE PLATE RELEASE CAM	
34	UF9701001	1	PLATEN FRAME	
35	UF9873001	1	FRONT COVER SENSING ACTUATOR	
36	048050346	1	RETAINING RING, E5	
37	UU0078001	1	SPRING WASHER	
38	UG6612001	1	MAIN-SENSOR HARNESS	

© Copyright Brother 1998

All rights reserved

No part of this publication may be reproduced in any form
or by any means without permission in writing from the
publisher.

Specifications are subject to change without prior notice.

brother®