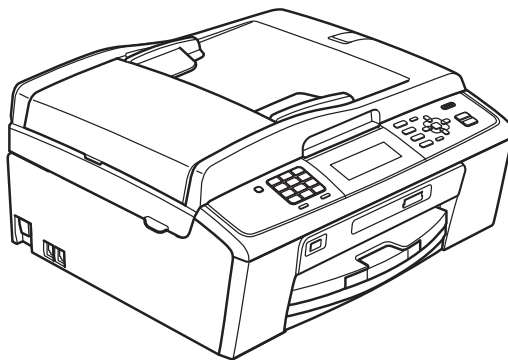




Inkjet DCP/MFC PARTS REFERENCE LIST

MODEL:
DCP-J125 / DCP-J315W
DCP-J515W / DCP-J715W
MFC-J220 / MFC-J265W
MFC-J270W / MFC-J410
MFC-J410W / MFC-J415W
MFC-J515W
MFC-J615W / MFC-J630W



Read this list thoroughly before maintenance work.

Keep this list in a convenient place for quick and easy reference at all times.

NOTE FOR USING THIS PARTS REFERENCE LIST

1. In the case of ordering parts, it is necessary to mention the following items;

- (1) Code
- (2) Q'ty
- (3) Description
- (4) Symbol (PCB No. etc)

Note: Orders without Parts Code or Tool No. can not be accepted.

< Example >

	(1)	(2)	(3)	(4)	
REF.NO.	CODE	Q'TY	DESCRIPTION	SYMBOL	REMARK

2. Design-changed parts :

If any of the parts is changed, one of the following symbols is indicated in the REMARK column.

CHG(chg) : The parts is changed to a new parts.

ADD(add) : The parts is newly added.

DEL(del) : The parts is deleted.

Symbol in capital letters indicates the latest parts change information in the page.

3. Parts change will be informed by the Parts change information.

4. Parts are subject to change in design without prior notice.

COUNTRIES

U.S.A. ---- US

CANADA ---- CAN

GERMANY ---- GER

UNITED KINGDOM ---- UK

FRANCE ---- FRA

BELGIUM ---- BEL

NETHERLANDS ---- NLD

SWITZERLAND ---- CHE

AUSTRIA ---- AUS

SPAIN ---- SPA

ITALY ---- ITA

ISRAEL ---- ISR

PORTUGAL ---- POR

CHINA ---- CHN

TAIWAN ---- TWN

SOUTH AFRICA --- ZAF

TURKEY --- TUR

HONG KONG --- HK

ARGENTINA ---- ARG

CHILE ---- CHL

POLAND ---- POL

ASIA (SINGAPORE & GULF) ---- ASA

BRAZIL --- BRA

KOREA ---- KOR

RUSSIA ---- RUS

OCEANIA

(AUSTRALIA & NEW ZEALAND) ---- OCE

PAN NORDIC

(NORWAY/FINLAND/DENMARK/SWEDEN) --- PND

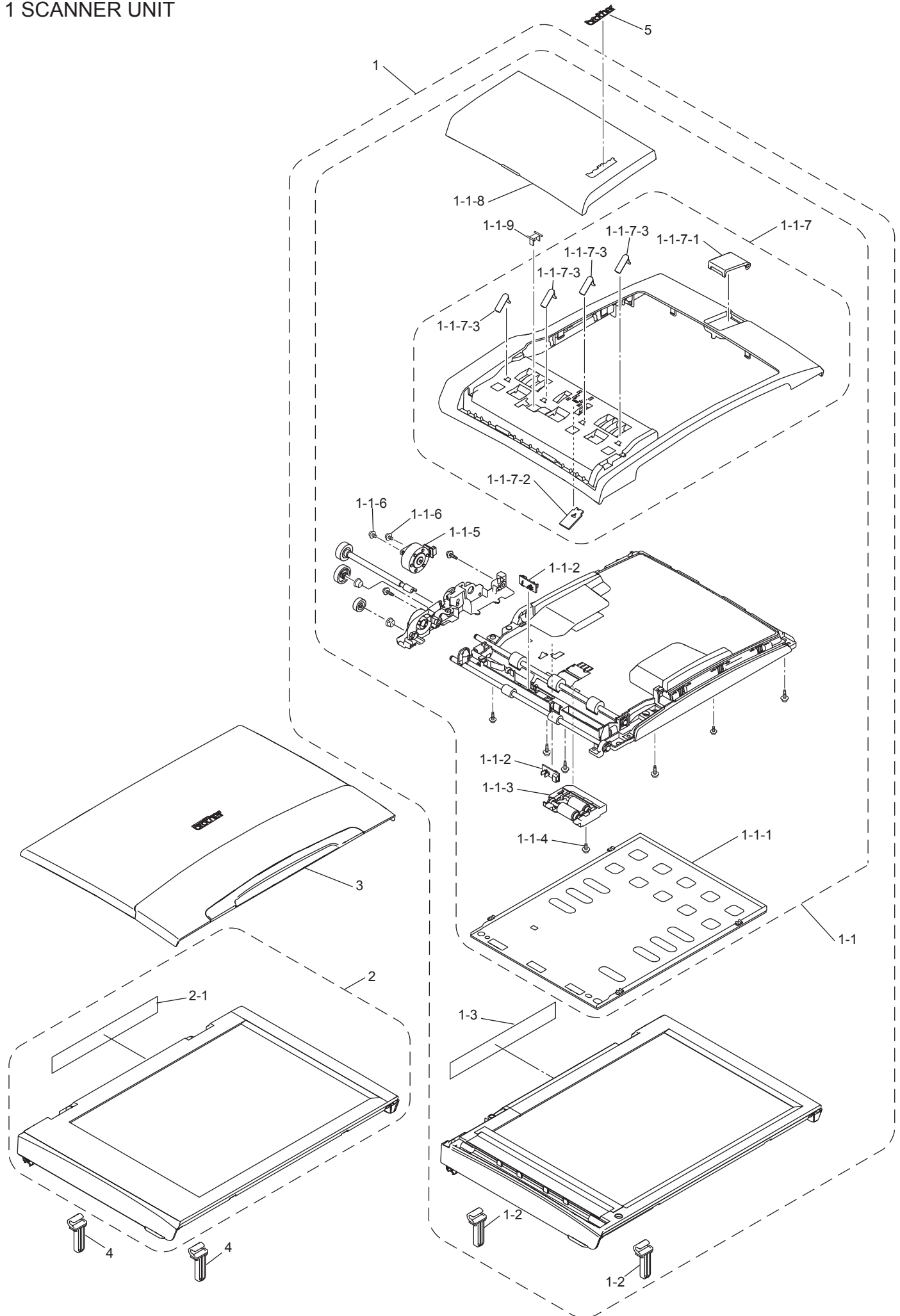
CEE GENERAL --- CEE

IBERIA (SPAIN & PORTUGAL) ---- IBR

CONTENTS

1.	<u>SCANNER UNIT</u>	1
2.	<u>CARTRIDGE CASE</u>	3
3.	<u>ENGINE</u>	5
4.	<u>HEAD</u>	7
5.	<u>PAPER TRAY</u>	9
6.	<u>COVER</u>	11
7.	<u>PANEL</u>	13
8.	<u>PCB</u>	17
9.	<u>ACCESSORIES</u>	19
10.	<u>PRINTED MATERIALS</u>	22
11.	<u>PACKAGING</u>	25
12.	<u>OTHERS</u>	29

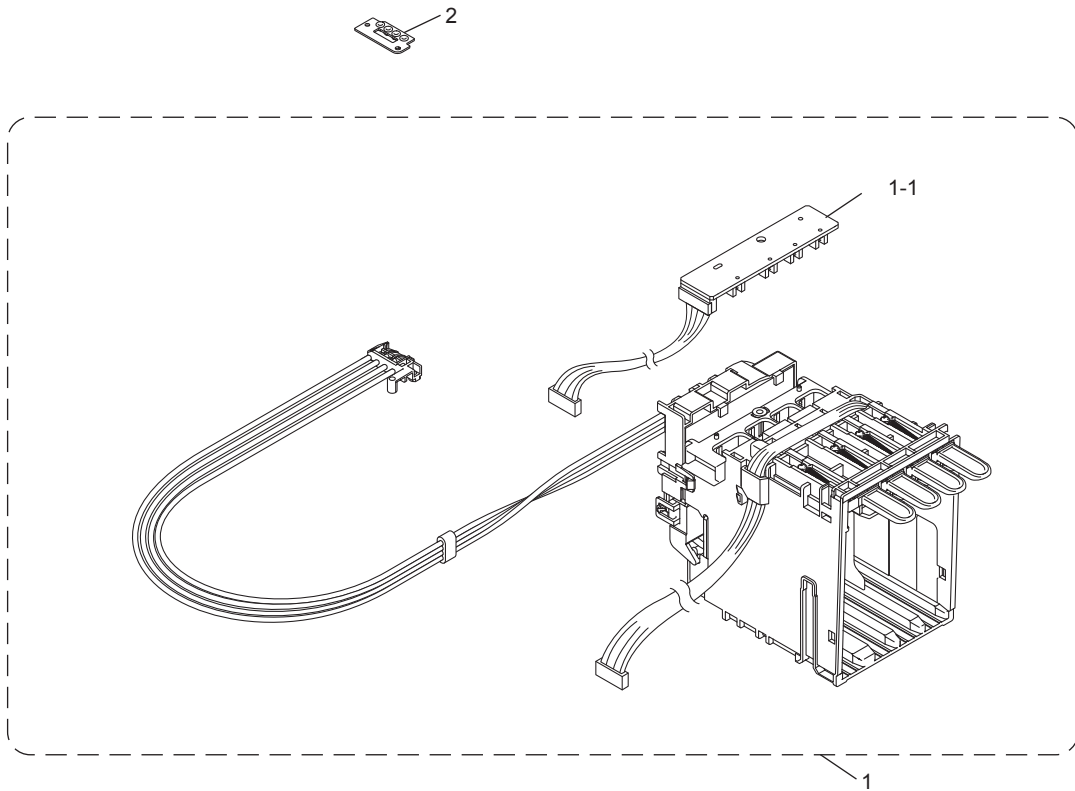
1 SCANNER UNIT



List1(SCANNER UNIT)

REF No.	CODE	QTY	DESCRIPTION	SYMBOL	REMARKS
1	LX7722001	1	ADF & SCANNER COVER ASSY (SP), DCP-J715W		CHG
1	LX7722002	1	ADF & SCANNER COVER ASSY (SP), MFC-J410/MFC-J410W		CHG
1	LX7726001	1	ADF & SCANNER COVER ASSY (SP), MFC-J415W/MFC-J615W/MFC-J630W		CHG
1-1	LX6434001	1	ADF & DOCUMENT COVER ASSY (SP), DCP-J715W		
1-1	LX6434002	1	ADF & DOCUMENT COVER ASSY (SP), MFC-J410/MFC-J410W		
1-1	LX6436001	1	ADF & DOCUMENT COVER ASSY (SP), MFC-J415W/MFC-J615W/MFC-J630W		
1-1-1	LS6891001	1	DOCUMENT SPONGE ASSY (SP), DCP-J715W/MFC-J410/MFC-J410W/MFC-J415W/MFC-J615W/MFC-J630W		
1-1-2	LG6753001	2	DOCUMENT SENSOR PCB ASSY, DCP-J715W/MFC-J410/MFC-J410W/MFC-J415W/MFC-J615W/MFC-J630W		
1-1-3	LS4406001	1	DOCUMENT ROLLER HOLDER ASSY, DCP-J715W/MFC-J410/MFC-J410W/MFC-J415W/MFC-J615W/MFC-J630W		
1-1-4	087310816	1	TAPTITE CUP B M3X8, DCP-J715W/MFC-J410/MFC-J410W/MFC-J415W/MFC-J615W/MFC-J630W		
1-1-5	LS4414001	1	ADF MOTOR, DCP-J715W/MFC-J410/MFC-J410W/MFC-J415W/MFC-J615W/MFC-J630W		
1-1-6	0A5300606	2	SCREW PAN (S/P WASHER) M3X6, DCP-J715W/MFC-J410/MFC-J410W/MFC-J415W/MFC-J615W/MFC-J630W		
1-1-7	LX3609001	1	ADF UNIT, DCP-J715W/MFC-J415W/MFC-J615W/MFC-J630W		
1-1-7	LX3609002	1	ADF UNIT, MFC-J410/MFC-J410W		
1-1-7-1	LX1864007	1	DOCUMENT STOPPER, DCP-J715W/MFC-J410/MFC-J410W/MFC-J415W/MFC-J615W/MFC-J630W		
1-1-7-2	LS5437001	1	SEPARATION PAD AND FILM, DCP-J715W/MFC-J410/MFC-J410W/MFC-J415W/MFC-J615W/MFC-J630W		
1-1-7-3	LP1429001	4	EXIT FILM, DCP-J715W/MFC-J410/MFC-J410W/MFC-J415W/MFC-J615W/MFC-J630W		
1-1-8	LX3610001	1	ADF COVER, DCP-J715W/MFC-J410/MFC-J410W		
1-1-8	LX3639001	1	ADF COVER, MFC-J415W/MFC-J615W/MFC-J630W		
1-1-9	LS5961001	1	DOCUMENT COVER SUPPORT, DCP-J715W/MFC-J410/MFC-J410W/MFC-J415W/MFC-J615W/MFC-J630W		
1-2	LS4442007	2	HINGE, DCP-J715W/MFC-J410/MFC-J410W/MFC-J415W/MFC-J615W/ MFC-J630W		
1-3	LS5965001	1	PAPER JAM INST. LABEL, DCP-J715W/MFC-J410/MFC-J410W/MFC-J415W/MFC-J615W/MFC-J630W		
2	LX6578002	1	SCANNER COVER ASSY (SP), DCP-J125/MFC-J220		
2	LX6578001	1	SCANNER COVER ASSY (SP), DCP-J315W/DCP-J515W/MFC-J265W/MFC-J270W		
2-1	LS5965001	1	PAPER JAM INST. LABEL, DCP-J125/DCP-J315W/DCP-J515W/MFC-J220/MFC-J265W/MFC-J270W		
3	LX6583001	1	DOCUMENT COVER ASSY (SP), DCP-J125 FOR US/BRA, MFC-J220 FOR ALL COUNTRIES		
3	LX6584001	1	DOCUMENT COVER ASSY (SP), DCP-J125 EXCEPT FOR US/BRA, DCP-J315W/DCP-J515W/MFC-J265W/MFC-J270W FOR ALL COUNTRIES		
4	LS4537007	2	HINGE, DCP-J125/DCP-J315W/DCP-J515W/MFC-J220/MFC-J265W/MFC-J270W		
5	LX7155001	1	EMBLEM BROTHER, DCP-J715W/MFC-J410/MFC-J410W/MFC-J415W/MFC-J615W/ MFC-J630W		

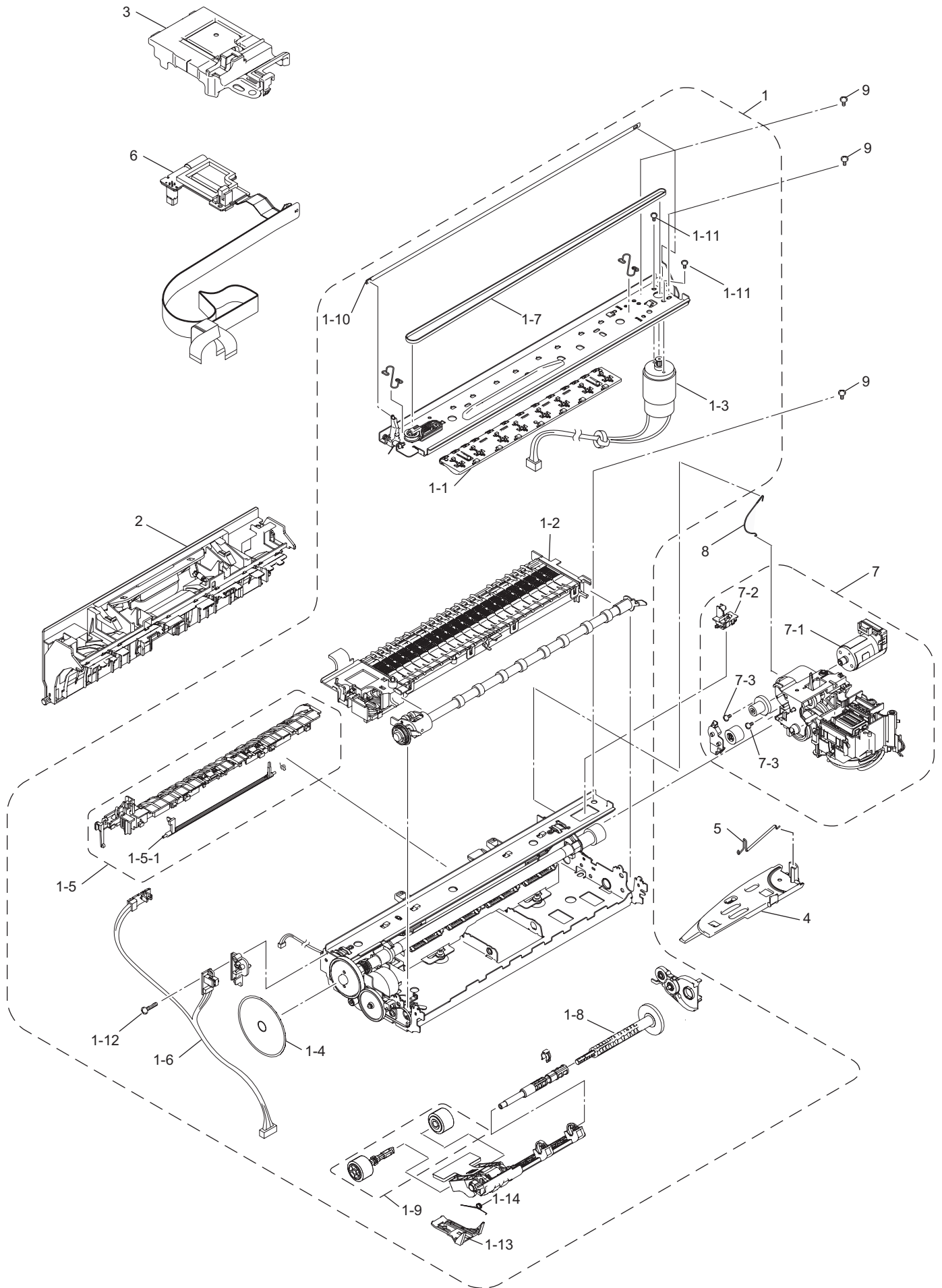
2 CARTRIDGE CASE



List2(CARTRIDGE CASE)

REF No.	CODE	Q'TY	DESCRIPTION	SYMBOL	REMARKS
1	LK3553001	1	INK REFILL ASSY (SP), DCP-J125/MFC-J220/MFC-J265W/MFC-J415W FOR US/CAN/BRA, DCP-J715W/MFC-J270W/MFC-J410W/MFC-J615W/MFC-J630W FOR ALL COUNTRIES		
1	LK4680001	1	INK REFILL ASSY (SP), DCP-J125/MFC-J220/MFC-J265W/MFC-J415W EXCEPT FOR US/CAN/BRA, DCP-J315W/DCP-J515W/MFC-J410 FOR ALL COUNTRIES		
1-1	LK3329001	1	INK CARTRIDGE DETECTION SENSOR PCB	B57C002	
2	LK3555001	1	HEAD JOINT RUBBER (SP)		

3 ENGINE



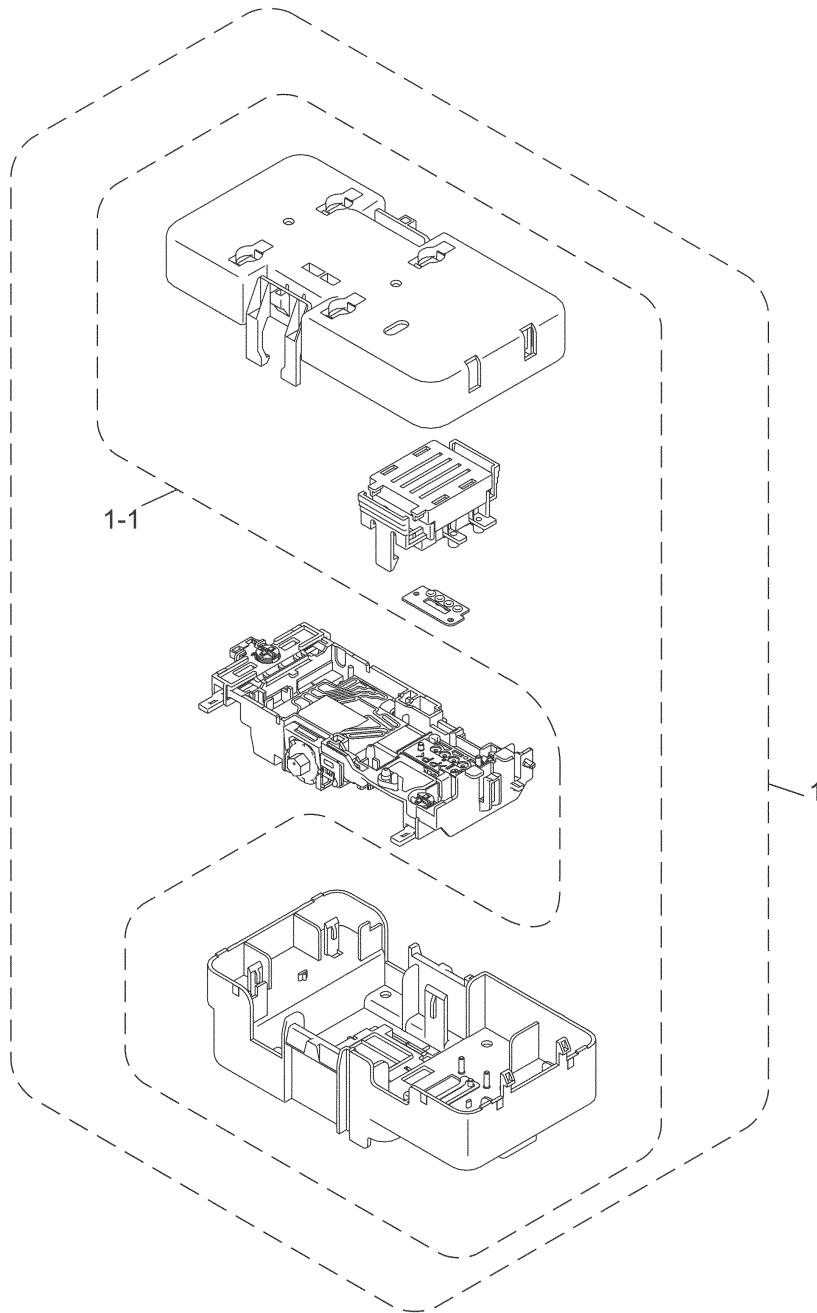
List3(ENGINE)

REF No.	CODE	QTY	DESCRIPTION	REMARKS
1	LS6537001	1	ENGINE UNIT (SP), DCP-J125/DCP-J315W/MFC-J220/MFC-J265W/MFC-J270W/MFC-J410/ MFC-J410W/MFC-J415W	
1	LX1874001	1	ENGINE UNIT (SP), DCP-J515W	
1	LX1876001	1	ENGINE UNIT (SP), DCP-J715W/MFC-J615W/MFC-J630W	
1-1	LS4301001	1	STAR WHEEL HOLDER	
1-2	LS4303001	1	PLATEN F ASSY, DCP-J125/DCP-J315W/DCP-J515W/ MFC-J220/MFC-J265W/MFC-J270W/MFC-J410/MFC-J410W/MFC-J415W	
1-2	LS4304001	1	PLATEN M ASSY, DCP-J715W/MFC-J615W/MFC-J630W	
1-3	LX3629001	1	CARRIAGE MOTOR	
1-4	LP1471001	1	RF ENCODER DISK	
1-5	LS4249001	1	INNER CHUTE ASSY	
1-5-1	LS4251001	1	REGISTRATION SENSOR ACTUATOR	
1-6	LT0466001	1	SENSOR HARNESS UNIT	
1-7	LS4198001	1	TIMING BELT	
1-8	LS4260001	1	ASF GEAR SHAFT OUTER	
1-9	LX0126001	1	ASF ROLLER 9 UNIT ASSY	
1-10	LS4467001	1	ENCODER STRIP	
1-11	000300606	2	SCREW BIND M3X6	
1-12	000021206	1	SCREW BIND M2X12	
1-13	LS4120001	1	PE ACTUATOR 9 ASSY	
1-14	LS4075001	1	PE ACTUATOR SPRING	
2	LS4253003	1	JAM CLEAR COVER	
3	LS4383001	1	HEAD COVER	
4	LX0376001	1	TUBE SUPPORT PLATE	
5	LS4469001	1	TUBE SUPPORT WIRE	
6	LS6543001	1	CARRIAGE PCB ASSY (SP)	
7	LS6544001	1	MAINTENANCE UNIT (SP)	
7-1	LS4091001	1	ASF MOTOR	
7-2	LS4098001	1	SWITCHING LEVER GUIDE	
7-3	LS4375001	2	SCREW PAN (S/P WASHER) M3X5	
8	LS5775001	1	EARTH SPRING	
9	087311016	3	TAPTITE CUP B M3X10	

8CAK11/13/15/16/17/19/
31/33/35/37/41/43/45/4749

DCP-J125/DCP-J315W/DCP-J515W/DCP-J715W/
MFC-J220/MFC-J265W/MFC-J270W/MFC-J410/MFC-J410W/MFC-J415W/
MFC-J615W/MFC-J630W

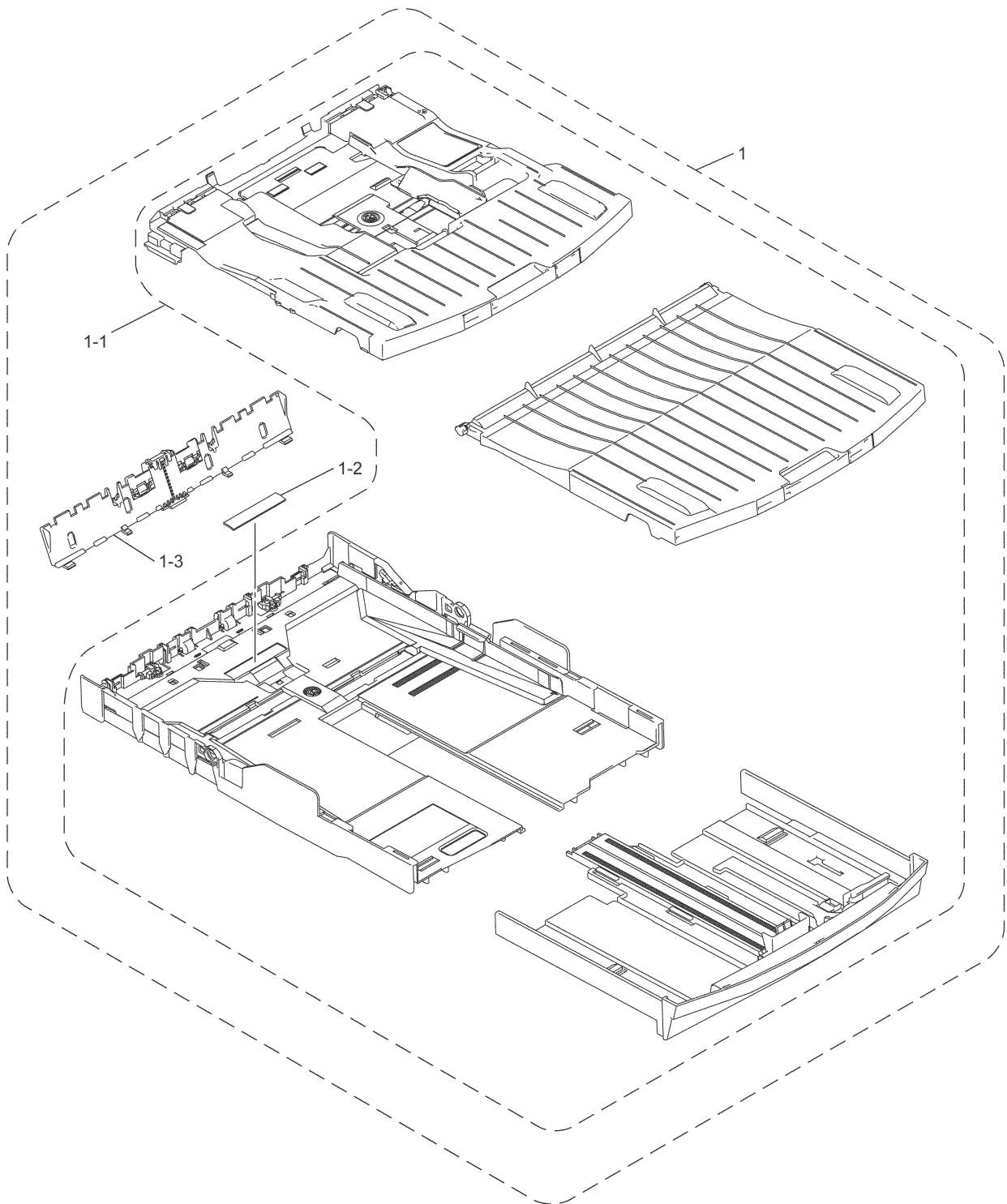
4 HEAD



List4(HEAD)

REF No.	CODE	Q'TY	DESCRIPTION	REMARKS
1	LK3211001	1	HEAD/CARRIAGE UNIT (SP)	
1-1	LK3216001	1	HEAD CASING ASSY(SP)	

5 PAPER TRAY



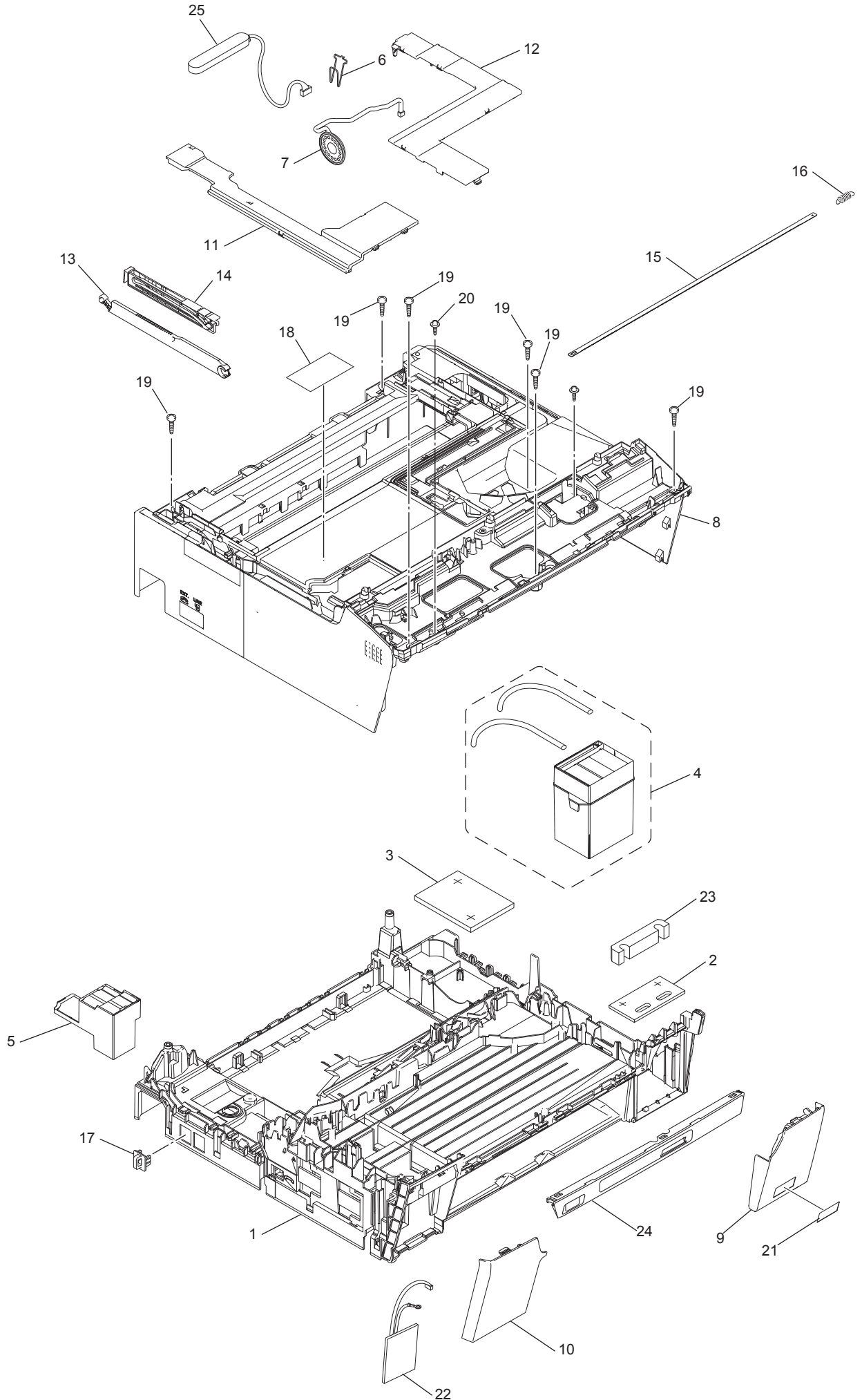
List5(PAPER TRAY)

REF No.	CODE	QTY	DESCRIPTION	REMARKS
1	LS6841004	1	PAPER TRAY ASSY (SP), DCP-J125/DCP-J315W/MFC-J220/MFC-J265W/MFC-J270W/MFC-J415W	
1	LS6840001	1	PAPER TRAY ASSY (SP), DCP-J515W/DCP-J715W/MFC-J615W/MFC-J630W	
1	LS6841005	1	PAPER TRAY ASSY (SP), MFC-J410/MFC-J410W	
1-1	LS6839004	1	OUTPUT PAPER TRAY COVER (SP), DCP-J125/DCP-J315W/MFC-J220/MFC-J265W/MFC-J270W/MFC-J415W	
1-1	LS6837001	1	OUTPUT PAPER TRAY COVER (SP), DCP-J515W/DCP-J715W/MFC-J615W/MFC-J630W	
1-1	LS6839005	1	OUTPUT PAPER TRAY COVER (SP), MFC-J410/MFC-J410W	
1-2	LP1575001	1	BASE PAD	
1-3	LS4269001	1	BANK ASSY	

8CAK11/13/15/16/17/19/
31/33/35/37/41/43/45/4749

DCP-J125/DCP-J315W/DCP-J515W/DCP-J715W/
MFC-J220/MFC-J265W/MFC-J270W/MFC-J410/MFC-J410W/MFC-J415W/
MFC-J615W/MFC-J630W

6 COVER

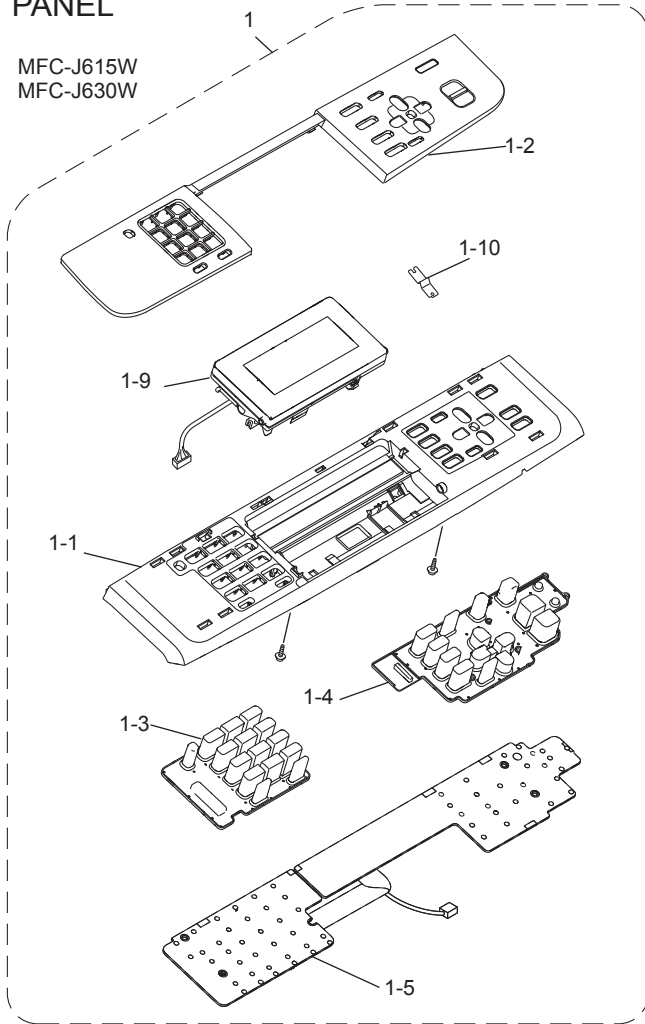


List6(COVER)

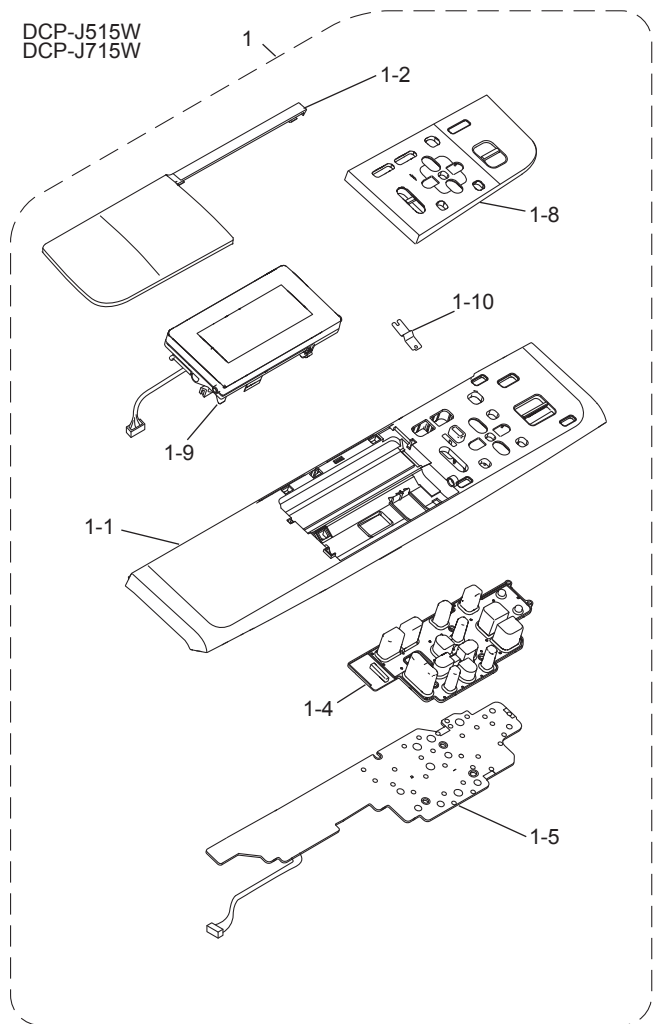
REF No.	CODE	QTY	DESCRIPTION	SYMBOL	REMARKS
1	LS5134001	1	LOWER COVER		
2	LS4699001	1	INK ABSORBER FELT (INK ABSORBER BOX LOWER)		
3	LS5136001	1	INK ABSORBER FELT (MAINTENANCE UNIT)		
4	LS6842001	1	INK ABSORBER TUBE ASSY (SP)		
5	LS5141001	1	FLUSHING BOX		
6	LS5334001	1	SPEAKER SPRING,		
7	LT0520001	1	MFC-J220/MFC-J265W/MFC-J270W/MFC-J410/MFC-J410W/MFC-J415W/ MFC-J615W/MFC-J630W SPEAKER,		
8	LS6852003	1	MFC-J220/MFC-J265W/MFC-J270W/MFC-J410/MFC-J410W/MFC-J415W/ MFC-J615W/MFC-J630W UPPER COVER (SP), DCP-J125		
8	LS6852002	1	UPPER COVER (SP), DCP-J315W/DCP-J515W		
8	LS6853001	1	UPPER COVER (SP), DCP-J715W		
8	LX6973002	1	UPPER COVER (SP), MFC-J220		
8	LX6973001	1	UPPER COCER (SP), MFC-J265W/MFC-J270W/MFC-J410/MFC-J410W/ MFC-J415W		
8	LS6845001	1	UPPER COVER (SP), MFC-J615W/MFC-J630W		
9	LX1976007	1	INK CARTRIDGE COVER, DCP-J125/DCP-J315W/DCP-J515W/DCP-J715W/ MFC-J220/MFC-J265W/MFC-J270W/MFC-J415W/MFC-J615W/MFC-J630W		
9	LX1976011	1	INK CARTRIDGE COVER, MFC-J410/MFC-J410W		
10	LX1977007	1	FRONT COVER, DCP-J125/DCP-J315W/DCP-J515W/DCP-J715W/ MFC-J220/MFC-J265W/MFC-J270W/MFC-J415W/MFC-J615W/MFC-J630W		
10	LX1977011	1	FRONT COVER, MFC-J410/MFC-J410W		
11	LS5154011	1	HARNESS COVER, DCP-J125/MFC-J220		
11	LS5154007	1	HARNESS COVER, DCP-J315W/DCP-J515W/DCP-J715W/MFC-J265W/ MFC-J270W/MFC-J410/MFC-J410W/MFC-J415W/MFC-J615W/MFC-J630W		
12	LS5155011	1	CIS FLAT CABLE COVER, DCP-J125/MFC-J220		
12	LS5155007	1	CIS FLAT CABLE COVER, DCP-J315W/DCP-J515W/DCP-J715W/MFC-J265W/ MFC-J270W/MFC-J410/MFC-J410W/MFC-J415W/MFC-J615W/MFC-J630W		
13	LS5156002	1	SCANNER COVER SUPPORT		
14	LS5159001	1	SCANNER COVER DAMPER		
15	LS6316001	1	ENCODER GUARD FILM		
16	LS6317001	1	ENCODER GUARD SPRING		
17	LE8842001	1	EXT CAP, MFC-J220/MFC-J265W/MFC-J270W/MFC-J410/MFC-J410W/MFC-J415W/ MFC-J615W/MFC-J630W FOR US/CAN/NLD/CHE/SPA/ISR/POR/CHN/TWN/HK/ARG/CHL/POL/ASA/KOR/ OCE/PND/CEE		
17	UF5745000	1	MJ COVER EXT, MFC-J220/MFC-J265W/MFC-J410//MFC-J415W/MFC-J615W FOR GER/UK/FRA/BEL/AUS/ITA		
18	LS5964001	1	ENCODER CAUTION LABEL		
19	085411216	6	TAPTITE BIND B M4X12		
20	087311016	1	TAPTITE CUP B M3X10		
21	LX3721001	1	INNOBELLA LABEL FOR US		
21	LX3722001	1	INNOBELLA LABEL EXCEPT FOR US		
22	LT1401001	1	WLAN PCB, DCP-J315W/DCP-J515W/DCP-J715W/ MFC-J265W/MFC-J270W/MFC-J410W/MFC-J415W/MFC-J615W/MFC-J630W		CHG
23	LX6286001	1	INK ABSORBER FELT (INK ABSORBER BOX UPPER)		
24	LX3104001	1	MEDIA MODULE COVER, DCP-J125/DCP-J315W/DCP-J515W/MFC-J220/ MFC-J270W/MFC-J415W FOR ALL COUNTRIES, MFC-J265W EXCEPT FOR CHN		
24	LX1978001	1	MEDIA MODULE COVER, DCP-J715W/MFC-J615W/MFC-J630W EXCEPT FOR CHN		
24	LX3104002	1	MEDIA MODULE COVER, MFC-J410/MFC-J410W		
24	LX7899001	1	MEDIA MODULE COVER, MFC-J265W FOR CHN		
24	LX3718001	1	MEDIA MODULE COVER, MFC-J615W FOR CHN		
25	---	1	Not used		

7 PANEL

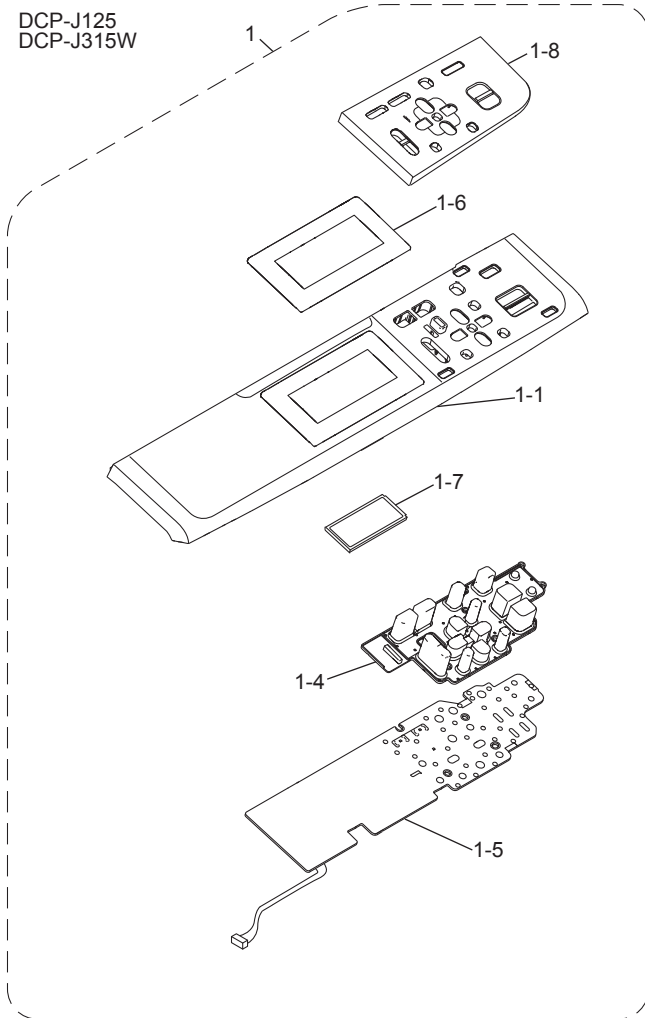
MFC-J615W
MFC-J630W



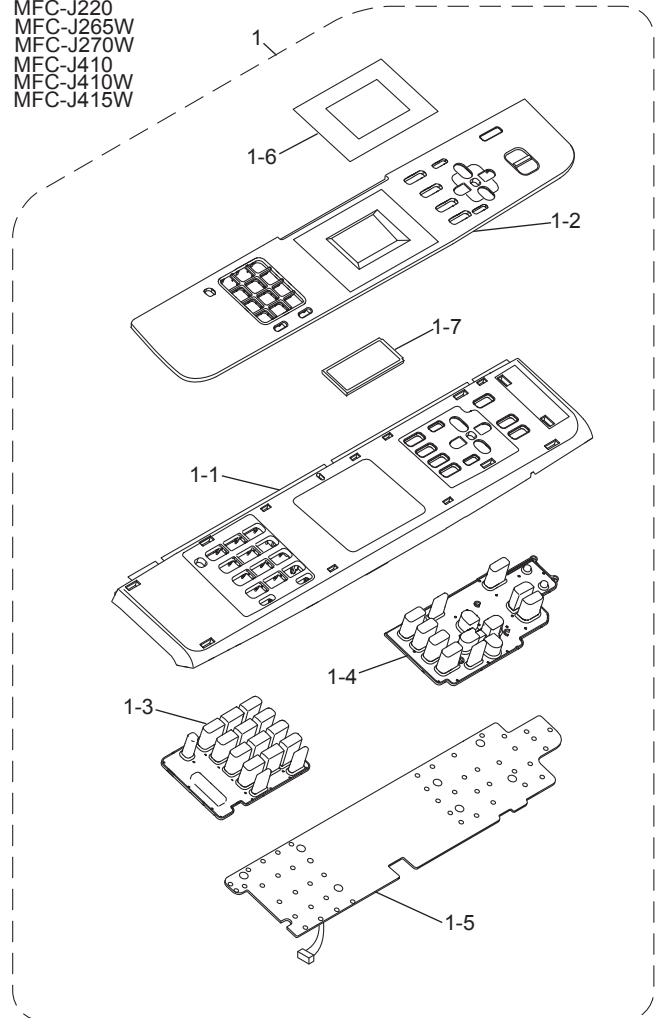
DCP-J515W
DCP-J715W



DCP-J125
DCP-J315W



MFC-J220
MFC-J265W
MFC-J270W
MFC-J410
MFC-J410W
MFC-J415W



List7(PANEL)

REF No.	CODE	QTY	DESCRIPTION	SYMBOL	REMARKS
1	LX3668001	1	CONTROL PANEL ASSY, DCP-J125 FOR US		
1	LX3108001	1	CONTROL PANEL ASSY, MFC-J220 FOR US		
1	LX3681001	1	CONTROL PANEL ASSY, MFC-J265W FOR US/CAN		
1	LX6411001	1	CONTROL PANEL ASSY, MFC-J270W FOR US		
1	LX6975001	1	CONTROL PANEL ASSY, MFC-J410W FOR US		
1	LX3685001	1	CONTROL PANEL ASSY, MFC-J415W FOR US/CAN		
1	LX1980001	1	CONTROL PANEL ASSY, MFC-J615W FOR US/CAN		
1	LX6425001	1	CONTROL PANEL ASSY, MFC-J630W FOR US		
1	LX6266001	1	CONTROL PANEL ASSY, DCP-J125 FOR GER		
1	LX3302001	1	CONTROL PANEL ASSY, DCP-J315W FOR GER		
1	LX6311001	1	CONTROL PANEL ASSY, DCP-J515W FOR GER		
1	LX3997001	1	CONTROL PANEL ASSY, DCP-J715W FOR GER		
1	LX6369001	1	CONTROL PANEL ASSY, MFC-J220 FOR GER/AUS		
1	LX6393001	1	CONTROL PANEL ASSY, MFC-J265W FOR GER/AUS		
1	LX6215001	1	CONTROL PANEL ASSY, MFC-J410 FOR GER/AUS		
1	LX6292001	1	CONTROL PANEL ASSY, MFC-J415W FOR GER/AUS		
1	LX6324001	1	CONTROL PANEL ASSY, MFC-J615W FOR GER/AUS		
1	LX3122001	1	CONTROL PANEL ASSY, DCP-J125 FOR UK/ISR/ZAF/ASA/OCE/PND		
1	LX3719001	1	CONTROL PANEL ASSY, DCP-J315W FOR UK/ASA/OCE/PND		
1	LX3716001	1	CONTROL PANEL ASSY, DCP-J515W FOR UK/OCE/PND		
1	LX3130001	1	CONTROL PANEL ASSY, DCP-J715W FOR UK/ASA/OCE/PND		
1	LX3705001	1	CONTROL PANEL ASSY, MFC-J265W FOR UK/ISR		
1	LX3709001	1	CONTROL PANEL ASSY, MFC-J410 FOR UK/BEL/CHE/ISR		
1	LX3710001	1	CONTROL PANEL ASSY, MFC-J415W FOR UK/CHE		
1	LX3628001	1	CONTROL PANEL ASSY, MFC-J615W FOR UK/BEL/CHE/ISR		
1	LX6268001	1	CONTROL PANEL ASSY, DCP-J125 FOR FRA/CHE/IBR/CEE		
1	LX6232001	1	CONTROL PANEL ASSY, DCP-J315W FOR FRA/CHE/IBR/CEE		
1	LX6312001	1	CONTROL PANEL ASSY, DCP-J515W FOR FRA/CHE/IBR/CEE		
1	LX6094001	1	CONTROL PANEL ASSY, DCP-J715W FOR FRA/CHE/IBR/CEE		
1	LX6370001	1	CONTROL PANEL ASSY, MFC-J220 FOR FRA		
1	LX6394001	1	CONTROL PANEL ASSY, MFC-J265W FOR FRA		
1	LX6293001	1	CONTROL PANEL ASSY, MFC-J415W FOR FRA		
1	LX6325001	1	CONTROL PANEL ASSY, MFC-J615W FOR FRA		
1	LX6662001	1	CONTROL PANEL ASSY, MFC-J220 FOR NLD		
1	LX6505001	1	CONTROL PANEL ASSY, MFC-J265W FOR NLD		
1	LX6488001	1	CONTROL PANEL ASSY, MFC-J415W FOR NLD		
1	LX6455001	1	CONTROL PANEL ASSY, MFC-J615W FOR NLD		
1	LX3702001	1	CONTROL PANEL ASSY, MFC-J220 FOR CHE/ISR/ZAF/CEE		
1	LX6371001	1	CONTROL PANEL ASSY, MFC-J220 FOR SPA		
1	LX6395001	1	CONTROL PANEL ASSY, MFC-J265W FOR SPA		
1	LX6223001	1	CONTROL PANEL ASSY, MFC-J410 FOR SPA		
1	LX6295001	1	CONTROL PANEL ASSY, MFC-J415W FOR SPA		
1	LX6326001	1	CONTROL PANEL ASSY, MFC-J615W FOR SPA		
1	LX6267001	1	CONTROL PANEL ASSY, DCP-J125 FOR ITA		
1	LX1310001	1	CONTROL PANEL ASSY, DCP-J315W FOR ITA		
1	LX6319001	1	CONTROL PANEL ASSY, DCP-J515W FOR ITA		
1	LX6089001	1	CONTROL PANEL ASSY, DCP-J715W FOR ITA		
1	LX6372001	1	CONTROL PANEL ASSY, MFC-J220 FOR ITA		
1	LX6396001	1	CONTROL PANEL ASSY, MFC-J265W FOR ITA		
1	LX6227001	1	CONTROL PANEL ASSY, MFC-J410 FOR ITA		
1	LX6327001	1	CONTROL PANEL ASSY, MFC-J615W FOR ITA		
1	LX6663001	1	CONTROL PANEL ASSY, MFC-J220 FOR POR		
1	LX6506001	1	CONTROL PANEL ASSY, MFC-J265W FOR POR		
1	LX6605001	1	CONTROL PANEL ASSY, MFC-J410 FOR POR		
1	LX6490001	1	CONTROL PANEL ASSY, MFC-J415W FOR POR		
1	LX6463001	1	CONTROL PANEL ASSY, MFC-J615W FOR POR		
1	LX7918001	1	CONTROL PANEL ASSY, MFC-J220 FOR CHN		
1	LX7690001	1	CONTROL PANEL ASSY, MFC-J265W FOR CHN		
1	LX7924001	1	CONTROL PANEL ASSY, MFC-J410 FOR CHN		
1	LX7617001	1	CONTROL PANEL ASSY, MFC-J615W FOR CHN		
1	LX7166001	1	CONTROL PANEL ASSY, MFC-J410 FOR TWN/HK		
1	LX7867001	1	CONTROL PANEL ASSY, MFC-J415W FOR TWN		
1	LX6981001	1	CONTROL PANEL ASSY, DCP-J315W FOR TUR		
1	LX7237001	1	CONTROL PANEL ASSY, MFC-J220 FOR TUR		
1	LX7167001	1	CONTROL PANEL ASSY, DCP-J125 FOR HK		
1	LX7171001	1	CONTROL PANEL ASSY, DCP-J315W FOR HK		
1	LX7163001	1	CONTROL PANEL ASSY, MFC-J220 FOR HK		
1	LX7002001	1	CONTROL PANEL ASSY, MFC-J615W FOR HK		
1	LX6970001	1	CONTROL PANEL ASSY, DCP-J125 FOR ARG/CHL		
1	LX6938001	1	CONTROL PANEL ASSY, MFC-J410 FOR ARG/CHL		
1	LX6538001	1	CONTROL PANEL ASSY, MFC-J615W FOR ARG/CHL		

DCP-J125/DCP-J315W/DCP-J515W/DCP-J715W/

8CAK11/13/15/16/17/19/ MFC-J220/MFC-J265W/MFC-J270W/MFC-J410/MFC-J410W/MFC-J415W/
31/33/35/37/41/43/45/4749

MFC-J615W/MFC-J630W

List7(PANEL)

REF No.	CODE	QTY	DESCRIPTION	SYMBOL	REMARKS
1	LX7245001	1	CONTROL PANEL ASSY, MFC-J220 FOR POL		
1	LX6990001	1	CONTROL PANEL ASSY, MFC-J265W FOR POL		
1	LX6983001	1	CONTROL PANEL ASSY, MFC-J415W FOR POL		
1	LX6866001	1	CONTROL PANEL ASSY, MFC-J615W FOR POL		
1	LX6962001	1	CONTROL PANEL ASSY, MFC-J220 FOR ASA/OCE		
1	LX6598001	1	CONTROL PANEL ASSY, MFC-J265W FOR ASA/OCE		
1	LX6548001	1	CONTROL PANEL ASSY, MFC-J415W FOR ASA/OCE		
1	LX6523001	1	CONTROL PANEL ASSY, MFC-J615W FOR ASA/OCE		
1	LX7178001	1	CONTROL PANEL ASSY, DCP-J125 FOR BRA		
1	LX7942001	1	CONTROL PANEL ASSY, MFC-J220 FOR KOR		
1	LX7948001	1	CONTROL PANEL ASSY, MFC-J410 FOR KOR		
1	LX6926001	1	CONTROL PANEL ASSY, DCP-J315W FOR RUS		
1	LX6992001	1	CONTROL PANEL ASSY, DCP-J515W FOR RUS		
1	LX6995001	1	CONTROL PANEL ASSY, MFC-J265W FOR RUS		
1	LX6899001	1	CONTROL PANEL ASSY, MFC-J410 FOR OCE		
1	LX6603001	1	CONTROL PANEL ASST, MFC-J410 FOR PND		
1	LX6466001	1	CONTROL PANEL ASSY, MFC-J615W FOR PND		
1-1	LX3123001	1	CONTROL PANEL BASE, DCP-J125		
1-1	LX3720001	1	CONTROL PANEL BASE, DCP-J315W		
1-1	LX3131007	1	CONTROL PANEL BASE, DCP-J515W/DCP-J715W		
1-1	LX3109007	1	CONTROL PANEL BASE, MFC-J220/MFC-J265W/MFC-J270W/MFC-J415W		
1-1	LX3109011	1	CONTROL PANEL BASE, MFC-J410/MFC-J410W		
1-1	LX1981007	1	CONTROL PANEL BASE, MFC-J615W/MFC-J630W		
1-2	LX3715001	1	PRINTED PANEL PLATE, DCP-J515W		
1-2	LX3134001	1	PRINTED PANEL PLATE, DCP-J715W		
1-2	LX3114001	1	PRINTED PANEL PLATE, MFC-J220/MFC-J265W/MFC-J270W/MFC-J410W/ MFC-J415W FOR US/CAN		
1-2	LX1987001	1	PRINTED PANEL PLATE, MFC-J615W/MFC-J630W FOR US/CAN		
1-2	LX6216001	1	PRINTED PANEL PLATE, MFC-J220/MFC-J265W/MFC-J410/MFC-J415W FOR GER/AUS		
1-2	LX6328001	1	PRINTED PANEL PLATE, MFC-J615W FOR GER/AUS		
1-2	LX3703001	1	PRINTED PANEL PLATE, MFC-J220/MFC-J265W/MFC-J410/MFC-J415W FOR UK/BEL/CHE/ISR/ZAF/CEE		
1-2	LX3627001	1	PRINTED PANEL PLATE, MFC-J615W FOR UK/BEL/CHE/ISR		
1-2	LX6294001	1	PRINTED PANEL PLATE, MFC-J220/MFC-J265W/MFC-J415W FOR FRA		
1-2	LX6329001	1	PRINTED PANEL PLATE, MFC-J615W FOR FRA		
1-2	LX6489001	1	PRINTED PANEL PLATE, MFC-J220/MFC-J265W/MFC-J415W FOR NLD		
1-2	LX6456001	1	PRINTED PANEL PLATE, MFC-J615W FOR NLD		
1-2	LX6224001	1	PRINTED PANEL PLATE, MFC-J220/MFC-J265W/MFC-J410/MFC-J415W FOR SPA		
1-2	LX6330001	1	PRINTED PANEL PLATE, MFC-J615W FOR SPA		
1-2	LX6228001	1	PRINTED PANEL PLATE, MFC-J220/MFC-J265W/MFC-J410 FOR ITA		
1-2	LX6331001	1	PRINTED PANEL PLATE, MFC-J615W FOR ITA		
1-2	LX6491001	1	PRINTED PANEL PLATE, MFC-J220/MFC-J265W/MFC-J410/MFC-J415W FOR POR		
1-2	LX6464001	1	PRINTED PANEL PLATE, MFC-J615W FOR POR		
1-2	LX7692001	1	PRINTED PANEL PLATE, MFC-J220/MFC-J265W/MFC-J410 FOR CHN		
1-2	LX7614001	1	PRINTED PANEL PLATE, MFC-J615W FOR CHN		
1-2	LX7164001	1	PRINTED PANEL PLATE, MFC-J220/MFC-J410/MFC-J415W FOR TWN/HK		
1-2	LX7239001	1	PRINTED PANEL PLATE, MFC-J220 FOR TUR		
1-2	LX7003001	1	PRINTED PANEL PLATE, MFC-J615W FOR HK		
1-2	LX6939001	1	PRINTED PANEL PALTE, MFC-J410 FOR ARG/CHL		
1-2	LX6539001	1	PRINTED PANEL PLATE, MFC-J615W FOR ARG/CHL		
1-2	LX6984001	1	PRINTED PANEL PLATE, MFC-J220/MFC-J265W/MFC-J415W FOR POL		
1-2	LX6867001	1	PRINTED PANEL PLATE, MFC-J615W FOR POL		
1-2	LX6549001	1	PRINTED PANEL PLATE, MFC-J220/MFC-J265W/MFC-J410/MFC-J415W FOR ASA/OCE		
1-2	LX6524001	1	PRINTED PANEL PLATE, MFC-J615W FOR ASA/OCE		
1-2	LX7943001	1	PRINTED PANEL PLATE, MFC-J220/MFC-J410 FOR KOR		
1-2	LX6996001	1	PRINTED PANEL PLATE, MFC-J265W FOR RUS		
1-2	LX6604001	1	PRINTED PANEL PLATE, MFC-J410 FOR PND		
1-2	LX6467001	1	PRINTED PANEL PLATE, MFC-J615W FOR PND		
1-3	LX3110001	1	RUBBER KEYPAD L, MFC-J220/MFC-J265W/MFC-J270W/MFC-J410/ MFC-J410W/MFC-J415W		
1-3	LX1989001	1	RUBBER KEYPAD L, MFC-J615W/MFC-J630W		
1-4	LX3125001	1	RUBBER KEYPAD, DCP-J125/DCP-J315W/DCP-J515W/DCP-J715W EXCEPT FOR TUR/HK		
1-4	LX3112001	1	RUBBER KEYPAD R, MFC-J220/MFC-J265W/MFC-J270W/MFC-J410/ MFC-J410W/MFC-J415W EXCEPT FOR TWN/TUR/HK		
1-4	LX1991001	1	RUBBER KEYPAD R, MFC-J615W/MFC-J630W EXCEPT FOT HK		
1-4	LX7230001	1	RUBBER KEYPAD R, MFC-J220/MFC-J410/MFC-J415W FOR TWN/HK		
1-4	LX7232001	1	RUBBER KEYPAD, DCP-J315W FOR TUR		
1-4	LX7238001	1	RUBBER KEYPAD R, MFC-J220 FOR TUR		

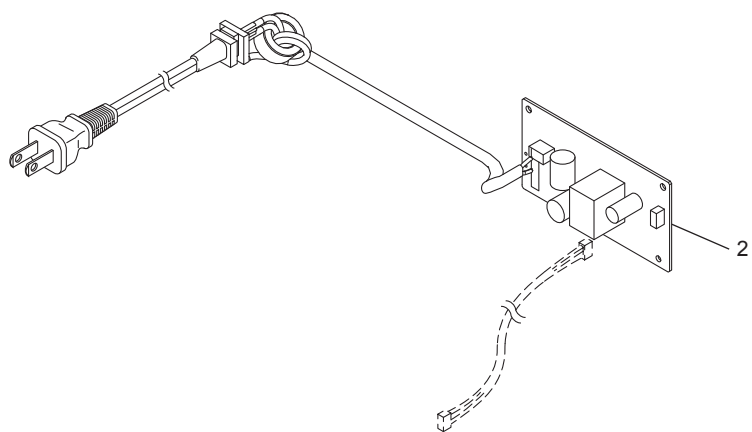
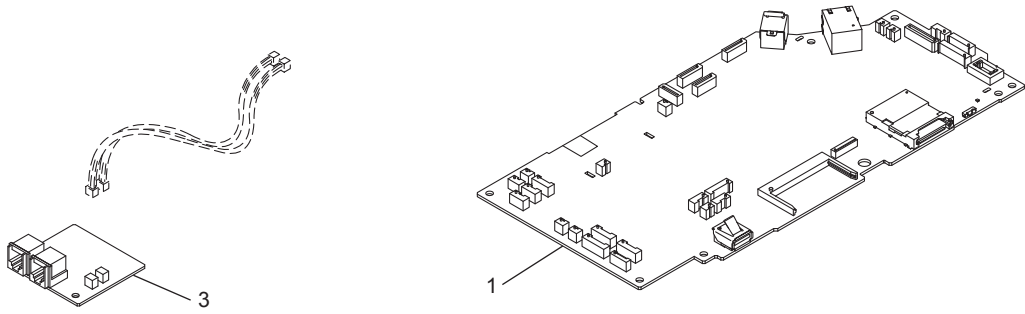
DCP-J125/DCP-J315W/DCP-J515W/DCP-J715W/

8CAK11/13/15/16/17/19/ MFC-J220/MFC-J265W/MFC-J270W/MFC-J410/MFC-J410W/MFC-J415W/
31/33/35/37/41/43/45/4749

MFC-J615W/MFC-J630W

List7(PANEL)

REF No.	CODE	QTY	DESCRIPTION	SYMBOL	REMARKS
1-4	LX7231001	1	RUBBER KEYPAD, DCP-J125/DCP-J315W FOR HK		
1-4	LX7229001	1	RUBBER KEYPAD R, MFC-J615W FOR HK		
1-5	LT0994001	1	CONTROL PANEL PCB ASSY, DCP-J125/DCP-J315W	B57U058	
1-5	LT0990002	1	CONTROL PANEL PCB ASSY, DCP-J515W/DCP-J715W	B57U056	
1-5	LT0992001	1	CONTROL PANEL PCB ASSY, MFC-J220/MFC-J265W/MFC-J270W/MFC-J410/MFC-J410W/MFC-J415W	B57U057	
1-5	LT1086001	1	CONTROL PANEL PCB ASSY,MFC-J615W/MFC-J630W	B57U055	
1-6	LX3129001	1	PRINTED LCD SHEET, DCP-J125		
1-6	LX3958001	1	PRINTED LCD SHEET, DCP-J315W		
1-6	LX3116001	1	PRINTED LCD SHEET, MFC-J220 EXCEPT FOR CHN		
1-6	LX3682001	1	PRINTED LCD SHEET, MFC-J265W EXCEPT FOR CHN		
1-6	LX6412001	1	PRINTED LDC SHEET, MFC-J270W		
1-6	LX3684001	1	PRINTED LCD SHEET, MFC-J410 EXCEPT FOR CHN		
1-6	LX6976001	1	PRINTED LCD SHEET, MFC-J410W		
1-6	LX3686001	1	PRINTED LCD SHEET, MFC-J415W		
1-6	LX7919001	1	PRINTED LCD SHEET, MFC-J220 FOR CHN		
1-6	LX7691001	1	PRINTED LCD SHEET, MFC-J265W FOR CHN		
1-6	LX7925001	1	PRINTED LCD SHEET, MFC-J410 FOR CHN		
1-7	A63045001	1	COLOR LCD, DCP-J125/DCP-J315W/MFC-J220/MFC-J265W/MFC-J270W/MFC-J410/ MFC-J410W/MFC-J415W		
1-8	LX3669001	1	EX PANEL ASSY, DCP-J125 FOR US		
1-8	LX6440001	1	EX PANEL ASSY, DCP-J125/DCP-J315W FOR GER/CHE (GERMAN)		
1-8	LX6415001	1	EX PANEL ASSY, DCP-J515W/DCP-J715W FOR GER/CHE (GERMAN)		
1-8	LX6932001	1	EX PANEL ASSY, DCP-J125/DCP-J315W FOR UK/ISR/ZAF/ASA/OCE/PND/CEE (ENGLISH)		
1-8	LX6472001	1	EX PANEL ASSY, DCP-J515W/DCP-J715W FOR UK/ASA/OCE/PND/CEE (ENGLISH)		
1-8	LX6233001	1	EX PANEL ASSY, DCP-J125/DCP-J315W FOR FRA/CHE (FRENCH)		
1-8	LX6095001	1	EX PANEL ASSY, DCP-J515W/DCP-J715W FOR FRA/CHE (FRENCH)		
1-8	LX6235001	1	EX PANEL ASSY, DCP-J125/DCP-J315W FOR FRA (DUTCH)		
1-8	LX6098001	1	EX PANEL ASSY, DCP-J515W/DCP-J715W FOR FRA (DUTCH)		
1-8	LX6231001	1	EX PANEL ASSY, DCP-J125/DCP-J315W FOR ITA		
1-8	LX6090001	1	EX PANEL ASSY, DCP-J515W/DCP-J715W FOR ITA		
1-8	LX6980001	1	EX PANEL ASSY, DCP-J315W FOR TUR		
1-8	LX7168001	1	EX PANEL ASSY, DCP-J125/DCP-J315W FOR HK		
1-8	LX6237001	1	EX PANEL ASSY, DCP-J125/DCP-J315W FOR ARG/CHL/IBR (SPANISH)		
1-8	LX6239001	1	EX PANEL ASSY, DCP-J125/DCP-J315W FOR BRA/IBR (PORTUGUESE)		
1-8	LX6927001	1	EX PANEL ASSY, DCP-J315W FOR RUS		
1-8	LX6994001	1	EX PANEL ASSY, DCP-J515W FOR RUS		
1-8	LX6099001	1	EX PANEL ASSY, DCP-J515W/DCP-J715W FOR IBR (SPANISH)		
1-8	LX6100001	1	EX PANEL ASSY, DCP-J515W/DCP-J715W FOR IBR (PORTUGUESE)		
1-8	LX6933001	1	EX PANEL ASSY, DCP-J125/DCP-J315W FOR CEE (POLISH)		
1-8	LX6474001	1	EX PANEL ASSY, DCP-J515W/DCP-J715W FOR CEE (POLISH)		
1-9	LX3132001	1	COLOR LCD UNIT, DCP-J515W/DCP-J715W		
1-9	LX1982001	1	COLOR LCD UNIT, MFC-J615W EXCEPT FOR CHN		
1-9	LX7616001	1	COLOR LCD UNIT, MFC-J615W FOR CHN		
1-9	LX6426001	1	COLOR LCD UNIT, MFC-J630W		
1-10	LX3978001	1	LATCH SPRING FOR DCP-J515W/DCP-J715W/MFC-J615W/MFC-J630W		



List8(PCB)

REF No.	CODE	QTY	DESCRIPTION	SYMBOL	REMARKS
1	LT1067001	1	MAIN PCB, DCP-J125	B57U051	
1	LT1068011	1	MAIN PCB, DCP-J315W	B57U051	
1	LT1066001	1	MAIN PCB, DCP-J515W	B75U052	
1	LT1053011	1	MAIN PCB, DCP-J715W	B57U050	
1	LT1069021	1	MAIN PCB, MFC-J220 EXCEPT FOR CHN	B57U051	
1	LT1070031	1	MAIN PCB, MFC-J265W/MFC-J270W	B57U051	
1	LT1071041	1	MAIN PCB, MFC-J410 EXCEPT FOR CHN	B57U051	
1	LT1072051	1	MAIN PCB, MFC-J410W/MFC-J415W	B57U051	
1	LT1052001	1	MAIN PCB, MFC-J615W/MFC-J630W EXCEPT FOR CHN	B57U050	
1	LT1069025	1	MAIN PCB, MFC-J220 FOR CHN	B57U051	
1	LT1070035	1	MAIN PCB, MFC-J265W FOR CHN	B57U051	
1	LT1071045	1	MAIN PCB, MFC-J410 FOR CHN	B57U051	
1	LT1052005	1	MAIN PCB, MFC-J615W FOR CHN	B57U050	
2	LT1075001	1	POWER SUPPLY PCB FOR US/CAN		
2	LT0485001	1	POWER SUPPLY PCB EXCEPT FOR US/CAN/CHN/TWN/ZAF/ASA/BRA/RUS		
2	LT0586001	1	POWER SUPPLY PCB FOR CHN		
2	LT1654001	1	POWER SUPPLY PCB FOR TWN		
2	LT0660001	1	POWER SUPPLY PCB FOR ZAF/ASA/RUS		
2	LT1516001	1	POWER SUPPLY PCB FOR BRA		
3	LT1022001	1	MJ PCB, MFC-J220/MFC-J265W/MFC-J270W/MFC-J410/MFC-J410W/ MFC-J415W/MFC-J615W/MFC-J630W FOR US/CAN/CHN/TWN/HK/ARG/CHL/ASA/OCE	B57U053	
3	LT1022004	1	MJ PCB, MFC-J220/MFC-J265W/MFC-J410/MFC-J415W/MFC-J615W FOR GER/UK/FRA/BEL/NLD/CHE/AUS/SPA/ITA/ISR/POR/TUR/POL/ RUS/PND/CEE	B57U053	
3	LT1022024	1	MJ PCB, MFC-J220 FOR ZAF	B57U053	
3	LT1022044	1	MJ PCB, MFC-J220/MFC-J410 FOR KOR	B57U053	

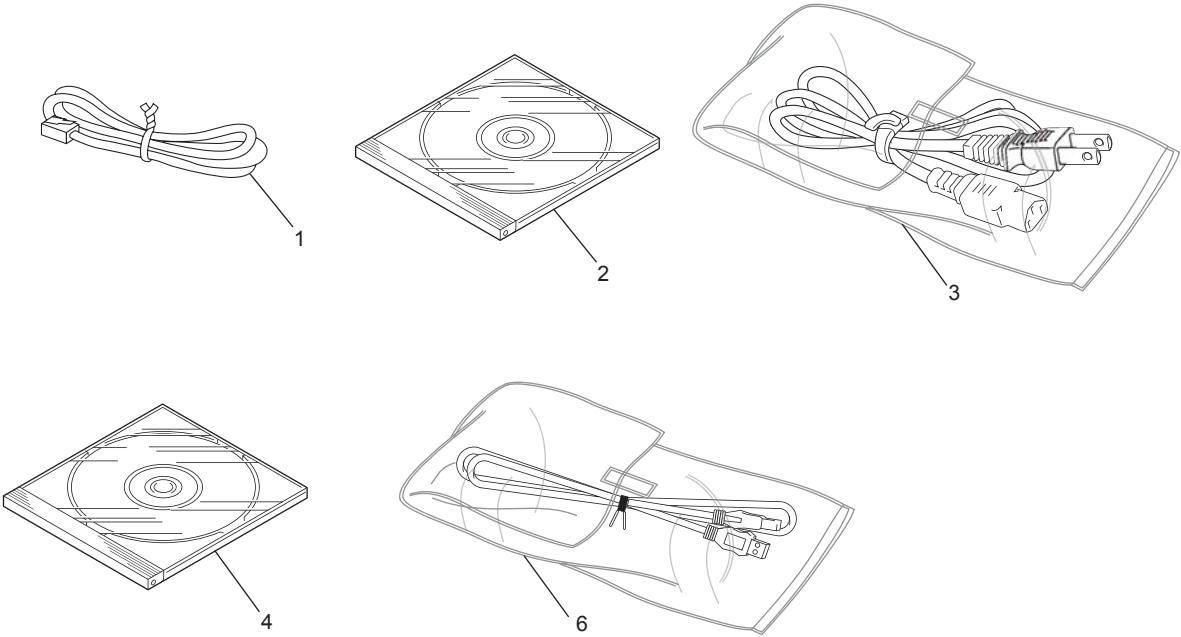
8CAK11/13/15/16/17/19/
31/33/35/37/41/43/45/4749

DCP-J125/DCP-J315W/DCP-J515W/DCP-J715W/

MFC-J220/MFC-J265W/MFC-J270W/MFC-J410/MFC-J410W/MFC-J415W/

MFC-J615W/MFC-J630W

9 ACCESSORIES



List9(Accessories)

REF No.	CODE	QTY	DESCRIPTION	REMARKS
1	LG3077001	1	TELEPHONE LINE CORD CSA, MFC-J220/MFC-J265W/MFC-J270W/MFC-J410/ MFC-J410W/MFC-J415W/MFC-J615W/MFC-J630W FOR US/CAN/UK/NLD/SPA/ISR/POR/CHN/TWN/ZAF/TUR/ARG/CHL/POL/ ASA/KOR/RIJS/OCF/CFF	
1	UG3625001	1	TELEPHONE LINE CORD, MFC-J220/MFC-265W/MFC-J410/MFC-J415W/MFC-J615W FOR GER	
1	UG3626001	1	TELEPHONE LINE CORD, MFC-265W/MFC-J410/MFC-J415W/MFC-J615W FOR UK	
1	UG3627001	1	TELEPHONE LINE CORD, MFC-J220/MFC-265W/MFC-J415W/MFC-J615W FOR FRA	
1	UG1575001	1	TELEPHONE LINE CORD, MFC-J410/MFC-J615W FOR BEL	
1	LG7202001	1	TELEPHONE LINE CORD, MFC-J220/MFC-J410/MFC-J415W/MFC-J615W FOR CHE	
1	UG4205001	1	TELEPHONE LINE CORD, MFC-J220/MFC-J265W/MFC-J410/MFC-J415W/MFC-J615W FOR AUS	
1	UG3634001	1	TELEPHONE LINE CORD, MFC-J220/MFC-J265W/MFC-J410/MFC-J615W FOR ITA	
1	UG3290001	1	TELEPHONE LINE CORD, MFC-J220/MFC-J265W/MFC-J410/MFC-J415W/MFC-J615W FOR HK/OCE	
1	LG5827001	1	TELEPHONE LINE CORD, MFC-J410/MFC-J615W FOR PND	
2	LX6001001	1	CD-ROM ASSY, DCP-J125 FOR US	
2	LX6032001	1	CD-ROM ASSY, MFC-J220 FOR US	
2	LX6039001	1	CD-ROM ASSY, MFC-J265W FOR US/CAN	
2	LX6390001	1	CD-ROM ASSY, MFC-J270W FOR US	
2	LX6577001	1	CD-ROM ASSY, MFC-J410W FOR US	
2	LX6052001	1	CD-ROM ASSY, MFC-J415W FOR US/CAN	
2	LX6058001	1	CD-ROM ASSY, MFC-J615W FOR US/CAN	
2	LX6391001	1	CD-ROM ASSY, MFC-J630W FOR US	
2	LX6002001	1	CD-ROM ASSY, DCP-J125 FOR GER/UK/CHE/ZAF/ASA/OCE	
2	LX6009001	1	CD-ROM ASSY, DCP-J315W FOR GER/UK/CHE/ASA/OCE	
2	LX6017001	1	CD-ROM ASSY, DCP-J515W FOR GER/UK/CHE/OCE	
2	LX6025001	1	CD-ROM ASSY, DCP-J715W FOR GER/UK/CHE/ASA/OCE	
2	LX6033001	1	CD-ROM ASSY, MFC-J220 FOR GER/FRA/CHE/AUS/ZAF/ASA/KOR/OCE	
2	LX6040001	1	CD-ROM ASSY, MFC-265W FOR GER/UK/FRA/AUS/ASA/OCE	
2	LX6047001	1	CD-ROM ASSY, MFC-J410 FOR GER/UK/CHE/AUS/ISR/KOR/OCE	
2	LX6053001	1	CD-ROM ASSY, MFC-J415W FOR GER/UK/FRA/CHE/AUS/ASA/OCE	
2	LX6059001	1	CD-ROM ASSY, MFC-615W FOR GER/UK/FRA/CHE/AUS/ASA/OCE	
2	LX6004001	1	CD-ROM ASSY, DCP-J125 FOR FRA	
2	LX6011001	1	CD-ROM ASSY, DCP-J315W FOR FRA	
2	LX6019001	1	CD-ROM ASSY, DCP-J515W FOR FRA	
2	LX6027001	1	CD-ROM ASSY, DCP-J715W FOR FRA	
2	LX6049001	1	CD-ROM ASSY, MFC-J410 FOR BEL	
2	LX6061001	1	CD-ROM ASSY, MFC-J615W FOR BEL/NLD	
2	LX6035001	1	CD-ROM ASSY, MFC-J220 FOR NLD	
2	LX6042001	1	CD-ROM ASSY, MFC-J265W FOR NLD	
2	LX6055001	1	CD-ROM ASSY, MFC-J415W FOR NLD	
2	LX6034001	1	CD-ROM ASSY, MFC-J220 FOR SPA/ITA/POR	
2	LX6041001	1	CD-ROM ASSY, MFC-J265W FOR SPA/ITA/POR	
2	LX6048001	1	CD-ROM ASSY, MFC-J410 FOR SPA/ITA/POR/ARG/CHL	
2	LX6054001	1	CD-ROM ASSY, MFC-J415W FOR SPA/POR	
2	LX6060001	1	CD-ROM ASSY, MFC-J615W FOR SPA/ITA/POR/ARG/CHL	
2	LX6003001	1	CD-ROM ASSY, DCP-J125 FOR ITA/ARG/CHL/BRA/IBR	
2	LX6010001	1	CD-ROM ASSY, DCP-J315W FOR ITA/IBR	
2	LX6018001	1	CD-ROM ASSY, DCP-J515W FOR ITA/IBR	
2	LX6026001	1	CD-ROM ASSY, DCP-J715W FOR ITA/IBR	
2	LX6006001	1	CD-ROM ASSY, DCP-J125 FOR ISR/CEE (CZECH/HUNGARIAN)	
2	LX6036001	1	CD-ROM ASSY, MFC-J220 FOR ISR/POL/CEE (CZECH/HUNGARIAN)	
2	LX6043001	1	CD-ROM ASSY, MFC-J265W FOR ISR/POL	
2	LX6063001	1	CD-ROM ASSY, MFC-J615W FOR ISR/POL	
2	LX6045001	1	CD-ROM ASSY, MFC-J265W FOR CHN	
2	LX6064001	1	CD-ROM ASSY, MFC-J615W FOR CHN/HK	
2	LX6051001	1	CD-ROM ASSY, MFC-J410 FOR CHN/TWN/HK	
2	LX6057001	1	CD-ROM ASSY, MFC-J415W FOR TWN	
2	LX6015001	1	CD-ROM ASSY, DCP-J315W FOR TUR/RUS	
2	LX6037001	1	CD-ROM ASSY, MFC-J220 FOR TUR	
2	LX6008001	1	CD-ROM ASSY, DCP-J125 FOR HK	
2	LX6016001	1	CD-ROM ASSY, DCP-J315W FOR HK	
2	LX6038001	1	CD-ROM ASSY, MFC-J220 FOR CHN/HK	
2	LX6056001	1	CD-ROM ASSY, MFC-J415W FOR POL	
2	LX6044001	1	CD-ROM ASSY, MFC-J265W FOR RUS	
2	LX6023001	1	CD-ROM ASSY, DCP-J515W FOR RUS	
2	LX6005001	1	CD-ROM ASSY, DCP-J125 FOR PND	
2	LX6012001	1	CD-ROM ASSY, DCP-J315W FOR PND	
2	LX6020001	1	CD-ROM ASSY, DCP-J515W FOR PND	
2	LX6028001	1	CD-ROM ASSY, DCP-J715W FOR PND	

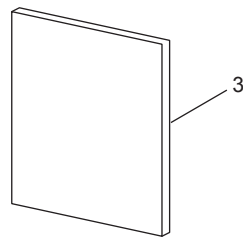
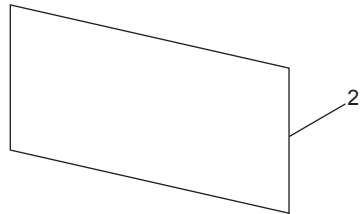
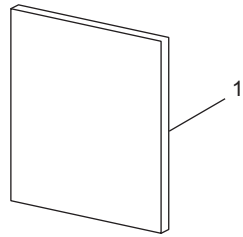
DCP-J125/DCP-J315W/DCP-J515W/DCP-J715W/

8CAK11/13/15/16/17/19/
31/33/35/37/41/43/45/47/49MFC-J220/MFC-J265W/MFC-J270W/MFC-J410/MFC-J410W/MFC-J415W/
MFC-J615W/MFC-J630W

List9(Accessories)

REF No.	CODE	QTY	DESCRIPTION	REMARKS
2	LX6050001	1	CD-ROM ASSY, MFC-J410 FOR PND	
2	LX6062001	1	CD-ROM ASSY, MFC-J615W FOR PND	
2	LX6013001	1	CD-ROM ASSY, DCP-J315W FOR CEE (CZECH/HUNGARIAN)	
2	LX6021001	1	CD-ROM ASSY, DCP-J515W FOR CEE (CZECH/HUNGARIAN)	
2	LX6029001	1	CD-ROM ASSY, DCP-J715W FOR CEE (CZECH/HUNGARIAN)	
2	LX6007001	1	CD-ROM ASSY, DCP-J125 FOR CEE (BULGARIAN/ROMANIAN)	
2	LX6014001	1	CD-ROM ASSY, DCP-J315W FOR CEE (BULGARIAN/ROMANIAN)	
2	LX6022001	1	CD-ROM ASSY, DCP-J515W FOR CEE(BULGARIAN/ROMANIAN)	
2	LX6030001	1	CD-ROM ASSY, DCP-J715W FOR CEE (BULGARIAN/ROMANIAN)	
2	LX8374001	1	CD-ROM ASSY, MFC-J220 FOR CEE (BULGARIAN/ROMANIAN)	
3	LG5717001	1	AC CORD BAG ASSY LF VDE FOR GER/FRA/BEL/NLD/AUS/SPA/ITA/POR/TUR/POL/ASA/RUS/PND/IBR/CEE	
3	LG5692001	1	AC CORD BAG ASSY LF FOR UK/HK/ASA	
3	LG5732001	1	AC CORD BAG ASSY LF SEV FOR CHE	
3	LG7005001	1	AC CORD BAG ASSY LF ISRAEL FOR ISR	
3	LT1404001	1	AC CORD BAG ASSY LF CCC 60227 FOR CHN	
3	LG6404001	1	AC CORD BAG ASSY LF SAF FOR ZAF	
3	LT0921001	1	AC CORD BAG ASSY LF ARG IRAM FOR ARG	
3	LG6426001	1	AC CORD BAG ASSY LF CHILE FOR CHL	
3	LT0935001	1	AC CORD BAG ASSY LF KOR S FOR KOR	
3	LG5734001	1	AC CORD BAG ASSY LF SAA FOR OCE	
3	LG5736001	1	AC CORD BAG ASSY LF DEMKO FOR PND	
4	LX6162001	1	CD USER'S GUIDE, DCP-J125/DCP-J315W	
4	LX6166001	1	CD USER'S GUIDE, DCP-J515W/DCP-J715W	add
4	LX6169004	4	CD USER'S GUIDE, MFC-J220/MFC-J265W/MFC-J270W/MFC-J410/MFC-J410W/MFC-J415W FOR US/BEL/NLD/CHE/AUS/SPA/POR/ARG/CHL/ASA/OCE/PND	DEL
4	LX6176004	4	CD USER'S GUIDE, MFC-J615W FOR US/SPA/ARG/CHL	DEL
4	LX6174004	4	CD USER'S GUIDE, MFC-J615W FOR CAN/GER/UK/FRA/ITA, MFC-J630W FOR US	DEL
4	LX6168004	4	CD USER'S GUIDE, MFC-J220/MFC-J265W/MFC-J410/MFC-J415W FOR CAN/GER/UK/FRA/ITA	DEL
4	LX6901004	4	CD USER'S GUIDE, DCP-J125/DCP-J315W FOR GER/UK/FRA/ITA	DEL
4	LX6165004	4	CD USER'S GUIDE, DCP-J515W/DCP-J715W FOR GER/UK/FRA/ITA	DEL
4	LX6175004	4	CD USER'S GUIDE, MFC-J615W FOR BEL/NLD/CHE/AUS/POR/ASA/OCE/PND	DEL
4	LX6159004	4	CD USER'S GUIDE, DCP-J125/DCP-J315W FOR CHE/PND	DEL
4	LX6164004	4	CD USER'S GUIDE, DCP-J515W/DCP-J715W FOR CHE/PND	DEL
4	LX6170004	4	CD USER'S GUIDE, MFC-J220/MFC-J265W/MFC-J410/MFC-J415W FOR ISR/POL/RUS	DEL
4	LX6177004	4	CD USER'S GUIDE, MFC-J615W FOR ISR/HK/POL	DEL
4	LX6172001	1	CD USER'S GUIDE, MFC-J220/MFC-J265W/MFC-J270W/MFC-J410/MFC-J410W/MFC-J415W	
4	LX6178001	1	CD USER'S GUIDE, MFC-J615W/MFC-J630W	
4	LX6174004	4	CD USER'S GUIDE, MFC-J220/MFC-J410/MFC-J415W FOR TWN/ZAF/TUR/HK	DEL
4	LX6160004	4	CD USER'S GUIDE, DCP-J125/DCP-J315W FOR ZAF/ARG/CHL/ASA/OCE/IBR	DEL
4	LX6164004	4	CD USER'S GUIDE, DCP-J315W FOR TUR	DEL
(5)	LG3622001	1	TELEPHONE PLUG DUT, MFC-J220/MFC-J265W/MFC-J415W/MFC-J615W FOR NLD	
(5)	UG3468000	1	TELEPHONE PLUG, MFC-J220/MFC-J410/MFC-J615W FOR HK	
(5)	LG6573001	1	TELEPHONE PLUG ARL, MFC-J220/MFC-J265W/MFC-J410/MFC-J415W/MFC-J615W FOR OCE	
(5)	LG5828001	1	TELEPHONE PLUG DEN, MFC-J410/MFC-J615W FOR PND	
(5)	LG5830001	1	TELEPHONE PLUG SWE, MFC-J410/MFC-J615W FOR PND	
(5)	LG5829001	1	TELEPHONE PLUG FIN, MFC-J410/MFC-J615W FOR PND	
6	LP0001001	1	USB CABLE 2.0	

10 PRINTED MATERIALS



List10(PRINTED MATERIALS)

REF No.	CODE	Q'TY	DESCRIPTION	REMARKS
1	LX7173001	1	USER'S GUIDE, DCP-J125 FOR US (ENGLISH)	
1	LX6182001	1	USER'S GUIDE, MFC-J220/MFC-J265W/MFC-J410W FOR US (ENGLISH)	
1	LX6602001	1	USER'S GUIDE, MFC-J270W/MFC-J415W FOR US (ENGLISH)	
1	LX3937001	1	USER'S GUIDE, MFC-J615W/MFC-J630W FOR US	
1	LX6182072	1	USER'S GUIDE, MFC-J265W/MFC-J415W FOR CAN (ENGLISH)	
1	LX3937072	1	USER'S GUIDE, MFC-J615W FOR CAN (ENGLISH)	
1	LX6182002	1	USER'S GUIDE, MFC-J265W/MFC-J415W FOR CAN (FRENCH)	
1	LX3937002	1	USER'S GUIDE, MFC-J615W FOR CAN (FRENCH)	
1	LX6202003	1	USER'S GUIDE, DCP-J125/DCP-J315W FOR GER/CHE (GERMAN)	
1	LX6072003	1	USER'S GUIDE, DCP-J515W/DCP-J715W FOR GER/CHE (GERMAN)	
1	LX6218003	1	USER'S GUIDE, MFC-J220/MFC-265W/MFC-J410/MFC-J415W FOR GER/AUS	
1	LX6337003	1	USER'S GUIDE, MFC-J615W FOR GER/AUS	
1	LX6202004	1	USER'S GUIDE, DCP-J125/DCP-J315W FOR UK	
1	LX6072004	1	USER'S GUIDE, DCP-J515W/DCP-J715W FOR UK	
1	LX6218004	1	USER'S GUIDE, MFC-J265W/MFC-J410/MFC-J415W FOR UK, MFC-J220 FOR CEE	
1	LX6337004	1	USER'S GUIDE, MFC-J615W FOR UK	
1	LX6202005	1	USER'S GUIDE, DCP-J125/DCP-J315W FOR FRA/CHE (FRENCH)	
1	LX6072005	1	USER'S GUIDE, DCP-J515W/DCP-J715W FOR FRA/CHE (FRENCH)	
1	LX6202009	1	USER'S GUIDE, DCP-J125/DCP-J315W FOR FRA (DUTCH)	
1	LX6072009	1	USER'S GUIDE, DCP-J515W/DCP-J715W FOR FRA (DUTCH)	
1	LX6218005	1	USER'S GUIDE, MFC-J220/MFC-J265W/MFC-J415W FOR FRA	
1	LX6337005	1	USER'S GUIDE, MFC-J615W FOR FRA	
1	LX6218058	1	USER'S GUIDE, MFC-J220/MFC-J410/MFC-J415W FOR BEL/CHE (FRENCH)	
1	LX6218008	1	USER'S GUIDE, MFC-J410 FOR BEL (DUTCH)	
1	LX6337008	1	USER'S GUIDE, MFC-J615W FOR BEL (DUTCH)	
1	LX6337058	1	USER'S GUIDE, MFC-J615W FOR BEL/CHE (FRENCH)	
1	LX6218009	1	USER'S GUIDE, MFC-J220/MFC-J265W/MFC-J415W FOR NLD	
1	LX6337009	1	USER'S GUIDE, MFC-J615W FOR NLD	
1	LX6218010	1	USER'S GUIDE, MFC-J220/MFC-J410/MFC-J415W FOR CHE (GERMAN)	
1	LX6337010	1	USER'S GUIDE, MFC-J615W FOR CHE (GERMAN)	
1	LX6218015	1	USER'S GUIDE, MFC-J220/MFC-J265W/MFC-J410/MFC-J415W FOR SPA	
1	LX6337015	1	USER'S GUIDE, MFC-J615W FOR SPA	
1	LX6202016	1	USER'S GUIDE, DCP-J125/DCP-J315W FOR CHE/ITA (ITALIAN)	
1	LX6072016	1	USER'S GUIDE, DCP-J515W/DCP-J715W FOR ITA	
1	LX6218016	1	USER'S GUIDE, MFC-J220/MFC-J265W/MFC-J410 FOR CHE/ITA (ITALIAN)	
1	LX6337016	1	USER'S GUIDE, MFC-J615W FOR ITA	
1	LX6218018	1	USER'S GUIDE, MFC-J220/MFC-J265W/MFC-J410/MFC-J415W FOR POR	
1	LX6337018	1	USER'S GUIDE, MFC-J615W FOR POR	
1	LX7698020	1	USER'S GUIDE, MFC-J220/MFC-J265W/MFC-J410 FOR CHN	
1	LX7611020	1	USER'S GUIDE, MFC-J615W FOR CHN	
1	LX6218023	1	USER'S GUIDE, MFC-J220/MFC-J410/MFC-J415W FOR TWN/HK (CANTONESE)	CHG
1	LX6202040	1	USER'S GUIDE, DCP-J125/DCP-J315W FOR ZAF/HK/ASA/OCE	
1	LX6218024	1	USER'S GUIDE, MFC-J220 FOR ZAF	
1	LX6202025	1	USER'S GUIDE, DCP-J315W FOR TUR	
1	LX6218025	1	USER'S GUIDE, MFC-J220 FOR TUR	
1	LX6202028	1	USER'S GUIDE, DCP-J125/DCP-J315W FOR HK (CANTONESE)	
1	LX6337028	1	USER'S GUIDE, MFC-J615W FOR HK (CANTONESE)	
1	LX6218040	1	USER'S GUIDE, MFC-J220/MFC-J265W/MFC-J410/MFC-J415W FOR HK/ASA/OCE (ENGLISH)	
1	LX6337040	1	USER'S GUIDE, MFC-J615W FOR HK/ASA/OCE (ENGLISH)	
1	LX6202031	1	USER'S GUIDE, DCP-J125 FOR ARG/CHL	
1	LX6218031	1	USER'S GUIDE, MFC-J410 FOR ARG/CHL	
1	LX6337031	1	USER'S GUIDE, MFC-J615W FOR ARG/CHL	
1	LX6072040	1	USER'S GUIDE, DCP-J515W/DCP-J715W FOR ASA/OCE	
1	LX6202042	1	USER'S GUIDE, DCP-J125 FOR BRA	
1	LX6218044	1	USER'S GUIDE, MFC-J220/MFC-J410 FOR KOR	
1	LX6202048	1	USER'S GUIDE, DCP-J315W FOR RUS	
1	LX6072048	1	USER'S GUIDE, DCP-J515W FOR RUS	
1	LX6218048	1	USER'S GUIDE, MFC-J265W FOR RUS	
1	LX6439007	1	USER'S GUIDE, DCP-J125/DCP-J315W FOR PND (NORWEGIAN/SWEDISH)	
1	LX6437007	1	USER'S GUIDE, DCP-J515W/DCP-J715W FOR PND (NORWEGIAN/SWEDISH)	
1	LX6610007	1	USER'S GUIDE, MFC-J410 FOR PND (NORWEGIAN/SWEDISH)	
1	LX6469007	1	USER'S GUIDE, MFC-J615W FOR PND (NORWEGIAN/SWEDISH)	
1	LX6439013	1	USER'S GUIDE, DCP-J125/DCP-J315W FOR PND (FINNISH/DANISH)	
1	LX6437013	1	USER'S GUIDE, DCP-J515W/DCP-J715W FOR PND (FINNISH/DANISH)	
1	LX6610013	1	USER'S GUIDE, MFC-J410 FOR PND (FINNISH/DANISH)	
1	LX6469013	1	USER'S GUIDE, MFC-J615W FOR PND (FINNISH/DANISH)	
1	LX6202015	1	USER'S GUIDE, DCP-J125/DCP-J315W FOR IBR (SPANISH)	
1	LX6072015	1	USER'S GUIDE, DCP-J515W/DCP-J715W FOR IBR (SPANISH)	
1	LX6202018	1	USER'S GUIDE, DCP-J125/DCP-J315W FOR IBR (PORTUGUESE)	
1	LX6072018	1	USER'S GUIDE, DCP-J515W/DCP-J715W FOR IBR (PORTUGUESE)	
2	LX6256001	1	FRENCH SEAL, MFC-J265W/MFC-J415W FOR CAN	

DCP-J125/DCP-J315W/DCP-J515W/DCP-J715W/

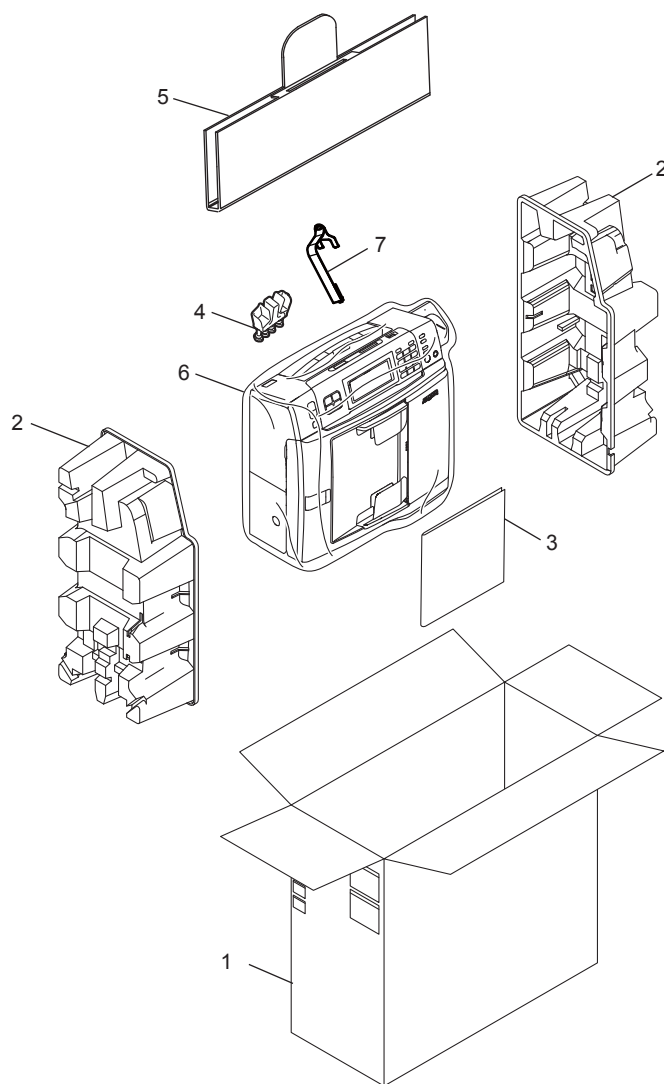
8CAK11/13/15/16/17/19/ MFC-J220/MFC-J265W/MFC-J270W/MFC-J410/MFC-J410W/MFC-J415W/
31/33/35/37/41/43/45/4749

MFC-J615W/MFC-J630W

List10(PRINTED MATERIALS)

REF No.	CODE	QTY	DESCRIPTION	REMARKS
2	LX3946001	1	FRENCH SEAL, MFC-J615W FOR CAN	
3	LX3959001	1	SAFETY/LEGAL BOOKLET, DCP-J125/MFC-J220/MFC-J265W/MFC-J270W/MFC-J410W/MFC-J415W/ MFC-J615W/MFC-J630W FOR US/CAN (ENGLISH)	
3	LX3959002	1	SAFETY/LEGAL BOOKLET, MFC-J265W/MFC-J415W/MFC-J615W FOR CAN (FRENCH)	
3	LX3959003	1	SAFETY/LEGAL BOOKLET, DCP-J125/DCP-J315W/DCP-J515W/DCP-J715W/MFC-J220/MFC-J265W/MFC-J410/ MFC-J415W/MFC-J615W FOR GER/CHE/AUS (GERMAN)	
3	LX3959004	1	SAFETY/LEGAL BOOKLET, DCP-J125/DCP-J315W/DCP-J515W/DCP-J715W/MFC-J220/MFC-J265W/MFC-J410/ MFC-J415W/MFC-J615W FOR UK/ISR	
3	LX3959005	1	SAFETY/LEGAL BOOKLET, DCP-J125/DCP-J315W/DCP-J515W/DCP-J715W/MFC-J220/MFC-J265W/MFC-J410/ MFC-J415W/MFC-J615W FOR FRA/BEL/CHE (FRENCH)	
3	LX3959009	1	SAFETY/LEGAL BOOKLET, DCP-J125/DCP-J315W/DCP-J515W/DCP-J715W/MFC-J220/MFC-J265W/MFC-J410/ MFC-J415W/MFC-J615W FOR FRA/NLD/BEL (DUTCH)	
3	LX3959015	1	SAFETY/LEGAL BOOKLET, DCP-J125/DCP-J315W/DCP-J515W/DCP-J715W/MFC-J220/MFC-J265W/MFC-J410/ MFC-J415W/MFC-J615W FOR SPA/IBR (SPANISH)	
3	LX3959016	1	SAFETY/LEGAL BOOKLET, DCP-J125/DCP-J315W/DCP-J515W/DCP-J715W/MFC-J220/MFC-J265W/MFC-J410/ MFC-J615W FOR ITA	
3	LX3959018	1	SAFETY/LEGAL BOOKLET, DCP-J125/DCP-J315W/DCP-J515W/DCP-J715W/MFC-J220/MFC-J265W/MFC-J410/ MFC-J415W/MFC-J615W FOR POR/BRA/IBR (PORTUGUESE)	
3	LX3959020	1	SAFETY/LEGAL BOOKLET, MFC-J220/MFC-J265W/MFC-J410/MFC-J615W FOR CHN	
3	LX3959023	1	SAFETY/LEGAL BOOKLET, DCP-J125/DCP-J315W/MFC-J220/MFC-J410/MFC-J415W/ MFC-J615W FOR TWN/HK (CANTONESE)	CHG
3	LX3959025	1	SAFETY/LEGAL BOOKLET, DCP-J315W/MFC-J220 FOR TUR	
3	LX3959040	1	SAFETY/LEGAL BOOKLET, DCP-J125/DCP-J315W/DCP-J515W/DCP-J715W/MFC-J220/MFC-J265W/MFC-J410/ MFC-J415W/MFC-J615W FOR ZAF/HK/ASA/OCE (ENGLISH)	
3	LX3959031	1	SAFETY/LEGAL BOOKLET, DCP-J125/MFC-J410/MFC-J615W FOR ARG/CHL	
3	LX3959078	1	SAFETY/LEGAL BOOKLET, DCP-J125/DCP-J315W/DCP-J515W/DCP-J715W/ MFC-J220/MFC-J265W/MFC-J415W/MFC-J615W FOR POL/CEE	
3	LX3959044	1	SAFETY/LEGAL BOOKLET, MFC-J220/MFC-J410 FOR KOR	
3	LX3959048	1	SAFETY/LEGAL BOOKLET, DCP-J315W/DCP-J515W/MFC-J265W FOR RUS	
3	LX3959057	1	SAFETY/LEGAL BOOKLET, DCP-J125/DCP-J315W/DCP-J515W/DCP-J715W/ MFC-J410/MFC-J615W FOR PND	

11 PACKAGING



List11(PACKAGING)

REF No.	CODE	QTY	DESCRIPTION	REMARKS
1	LX7174001	1	CARTON BROTHER, DCP-J125 FOR US	
1	LX6183001	1	CARTON BROTHER, MFC-J220 FOR US	
1	LX6249001	1	CARTON BROTHER, MFC-J265W FOR US	
1	LX6413001	1	CARTON BROTHER, MFC-J270W FOR US	
1	LX6979001	1	CARTON BROTHER, MFC-J410W FOR US	
1	LX6363001	1	CARTON BROTHER, MFC-J415W FOR US	
1	LX3939001	1	CARTON BROTHER, MFC-J615W FOR US	
1	LX6428001	1	CARTON BROTHER, MFC-J630W FOR US	
1	LX6255001	1	CARTON BROTHER, MFC-J265W FOR CAN	
1	LX6366001	1	CARTON BROTHER, MFC-J415W FOR CAN	
1	LX3945001	1	CARTON BROTHER, MFC-J615W FOR CAN	
1	LX6263001	1	CARTON BROTHER, DCP-J125 FOR GER/CHE	
1	LX6210001	1	CARTON BROTHER, DCP-J315W FOR GER/CHE	
1	LX6309001	1	CARTON BROTHER, DCP-J515W FOR GER/CHE	
1	LX6073001	1	CARTON BROTHER, DCP-J715W FOR GER/CHE	
1	LX6374001	1	CARTON BROTHER, MFC-J220 FOR GER/CHE/AUS/ISR/POL/CEE	
1	LX6397001	1	CARTON BROTHER, MFC-J265W FOR GER/AUS	
1	LX6219001	1	CARTON BROTHER, MFC-J410 FOR GER/CHE/AUS	
1	LX6297001	1	CARTON BROTHER, MFC-J415W FOR GER/CHE/AUS	
1	LX6338001	1	CARTON BROTHER, MFC-J615W FOR GER/CHE/AUS	
1	LX6262001	1	CARTON BROTHER, DCP-J125 FOR UK/ISR/PND/CEE	
1	LX6211001	1	CARTON BROTHER, DCP-J315W FOR UK/RUS/PND/CEE	
1	LX6308001	1	CARTON BROTHER, DCP-J515W FOR UK/RUS/PND/CEE	
1	LX6085001	1	CARTON BROTHER, DCP-J715W FOR UK/PND/CEE	
1	LX6398001	1	CARTON BROTHER, MFC-J265W FOR UK/ISR/POL/RUS	
1	LX6222001	1	CARTON BROTHER, MFC-J410 FOR UK/BEL/ISR/PND	
1	LX6298001	1	CARTON BROTHER, MFC-J415W FOR UK/POL	
1	LX6347001	1	CARTON BROTHER, MFC-J615W FOR UK/ISR/POL/PND	
1	LX6264001	1	CARTON BROTHER, DCP-J125 FOR FRA	
1	LX6212001	1	CARTON BROTHER, DCP-J315W FOR FRA	
1	LX6317001	1	CARTON BROTHER, DCP-J515W FOR FRA	
1	LX6110001	1	CARTON BROTHER, DCP-J715W FOR FRA	
1	LX6375001	1	CARTON BROTHER, MFC-J220 FOR FRA/NLD	
1	LX6399001	1	CARTON BROTHER, MFC-J265W FOR FRA/NLD	
1	LX6299001	1	CARTON BRPHTER, MFC-J415W FOR FRA/NLD	
1	LX6349001	1	CARTON BROTHER, MFC-J615W FOR FRA/BEL/NLD	
1	LX6376001	1	CARTON BROTHER, MFC-J220 FOR SPA/ITA/POR	
1	LX6400001	1	CARTON BROTHER, MFC-J265W FOR SPA/ITA/POR	
1	LX6226001	1	CARTON BROTHER, MFC-J410 FOR SPA/ITA/POR	
1	LX6300001	1	CARTON BROTHER, MFC-J415W FOR SPA/POR	
1	LX6351001	1	CARTON BROTHER, MFC-J615W FOR SPA/ITA/POR	
1	LX6265001	1	CARTON BROTHER, DCP-J125 FOR ITA/IBR	
1	LX6213001	1	CARTON BROTHER, DCP-J315W FOR ITA/IBR	
1	LX6320001	1	CARTON BROTHER, DCP-J515W FOR ITA/IBR	
1	LX6092001	1	CARTON BROTHER, DCP-J715W FOR ITA/IBR	
1	LX7923001	1	CARTON BROTHER, MFC-J220 FOR CHN	
1	LX7699001	1	CARTON BROTHER, MFC-J265W FOR CHN	
1	LX7929001	1	CARTON BROTHER, MFC-J410 FOR CHN	
1	LX7612001	1	CARTON BROTHER, MFC-J615W FOR CHN	
1	LX6569001	1	CARTON BROTHER, MFC-J410 FOR TWN/HK/KOR/OCE	
1	LX6551001	1	CARTON BROTHER, MFC-J415W FOR TWN/ASA/OCE	
1	LX6564001	1	CARTON BROTHER, DCP-J125 FOR ZAF/HK/ASA/OCE	
1	LX6567001	1	CARTON BROTHER, MFC-J220 FOR ZAF/TUR/HK/ASA/KOR/OCE	
1	LX6565001	1	CARTON BROTHER, DCP-J315W FOR TUR/HK/ASA/OCE	
1	LX6526001	1	CARTON BROTHER, MFC-J615W FOR HK/ASA/OCE	
1	LX6972001	1	CARTON BROTHER, DCP-J125 FOR ARG/CHL	
1	LX6941001	1	CARTON BROTHER, MFC-J410 FOR ARG/CHL	
1	LX6544001	1	CARTON BROTHER, MFC-J615W FOR ARG/CHL	
1	LX8787001	1	CARTON BROTHER, DCP-J125 FOR ASA	ADD
1	LX8788001	1	CARTON BROTHER, DCP-J315W FOR ASA	ADD
1	LX6542001	1	CARTON BROTHER, DCP-J715W FOR ASA/OCE	
1	LX8789001	1	CARTON BROTHER, MFC-J220 FOR ASA	ADD
1	LX6568001	1	CARTON BROTHER, MFC-J265W FOR ASA/OCE	
1	LX7226001	1	CARTON BROTHER, DCP-J125 FOR BRA	
1	LX6566001	1	CARTON BROTHER, DCP-J515W FOR OCE	
2	LX3671001	1	PULP CUSHION ASSY, DCP-J125/DCP-J315W/DCP-J515W/MFC-J220/MFC-J265W/MFC-J270W	
2	LX3604001	1	PULP CUSHION ASSY, DCP-J715W/MFC-J410/MFC-J410W/MFC-J415W/MFC-J615W/MFC-J630W	
3	LX7175001	1	QUICK SETUP GUIDE, DCP-J125 FOR US (ENGLISH)	
3	LX6184001	1	QUICK SETUP GUIDE, MFC-J220 FOR US (ENGLISH)	

DCP-J125/DCP-J315W/DCP-J515W/DCP-J715W/

8CAK11/13/15/16/17/19/
31/33/35/37/41/43/45/4749

MFC-J220/MFC-J265W/MFC-J270W/MFC-J410/MFC-J410W/MFC-J415W/
MFC-J615W/MFC-J630W

List11(PACKAGING)

REF No.	CODE	QTY	DESCRIPTION	REMARKS
3	LX6250001	1	QUICK SETUP GUIDE, MFC-J265W/MFC-J270W/MFC-J410W/MFC-J415W FOR US/CAN (ENGLISH)	
3	LX3938001	1	QUICK SETUP GUIDE, MFC-J615W/MFC-J630W FOR US/CAN (ENGLISH)	
3	LX6250002	1	QUICK SETUP GUIDE, MFC-J265W/MFC-J415W FOR CAN (FRENCH)	
3	LX3938002	1	QUICK SETUP GUIDE, MFC-J615W FOR CAN (FRENCH)	
3	LX6274003	1	QUICK SETUP GUIDE, DCP-J125 FOR GER/CHE (GERMAN)	
3	LX6209003	1	QUICK SETUP GUIDE, DCP-J315W FOR GER/CHE (GERMAN)	
3	LX6075003	1	QUICK SETUP GUIDE, DCP-J515W/DCP-J715W FOR GER/CHE (GERMAN)	
3	LX6305003	1	QUICK SETUP GUIDE, MFC-J265W/MFC-J415W FOR GER/AUS	
3	LX6220003	1	QUICK SETUP GUIDE, MFC-J220/MFC-J410 FOR GER/AUS	
3	LX6340003	1	QUICK SETUP GUIDE, MFC-J615W FOR GER/AUS	
3	LX6274004	1	QUICK SETUP GUIDE, DCP-J125 FOR UK/ISR	
3	LX6209004	1	QUICK SETUP GUIDE, DCP-J315W FOR UK	
3	LX6075004	1	QUICK SETUP GUIDE, DCP-J515W/DCP-J715W FOR UK	
3	LX6305004	1	QUICK SETUP GUIDE, MFC-J265W/MFC-J415W FOR UK/ISR	
3	LX6220004	1	QUICK SETUP GUIDE, MFC-J220/MFC-J410 FOR UK/ISR	
3	LX6340004	1	QUICK SETUP GUIDE, MFC-J615W FOR UK/ISR	
3	LX6274005	1	QUICK SETUP GUIDE, DCP-J125 FOR FRA/CHE (FRENCH)	
3	LX6209005	1	QUICK SETUP GUIDE, DCP-J315W FOR FRA/CHE (FRENCH)	
3	LX6075005	1	QUICK SETUP GUIDE, DCP-J515W/DCP-J715W FOR FRA/CHE (FRENCH)	
3	LX6274009	1	QUICK SETUP GUIDE, DCP-J125 FOR FRA (DUTCH)	
3	LX6209009	1	QUICK SETUP GUIDE, DCP-J315W FOR FRA (DUTCH)	
3	LX6075009	1	QUICK SETUP GUIDE, DCP-J515W/DCP-J715W FOR FRA (DUTCH)	
3	LX6220005	1	QUICK SETUP GUIDE, MFC-J220 FOR FRA	
3	LX6305005	1	QUICK SETUP GUIDE, MFC-J265W/MFC-J415W FOR FRA	
3	LX6340005	1	QUICK SETUP GUIDE, MFC-J615W FOR FRA	
3	LX6220008	1	QUICK SETUP GUIDE, MFC-J410 FOR BEL (DUTCH)	
3	LX6340008	1	QUICK SETUP GUIDE, MFC-J615W FOR BEL (DUTCH)	
3	LX6220058	1	QUICK SETUP GUIDE, MFC-J220/MFC-J410 FOR BEL/CHE (FRENCH)	
3	LX6340058	1	QUICK SETUP GUIDE, MFC-J615W FOR BEL/CHE (FRENCH)	
3	LX6220009	1	QUICK SETUP GUIDE, MFC-J220 FOR NLD	
3	LX6305009	1	QUICK SETUP GUIDE, MFC-J265W/MFC-J415W FOR NLD	
3	LX6340009	1	QUICK SETUP GUIDE, MFC-J615W FOR NLD	
3	LX6220010	1	QUICK SETUP GUIDE, MFC-J220/MFC-J410 FOR CHE (GERMAN)	
3	LX6305010	1	QUICK SETUP GUIDE, MFC-J415W FOR CHE (GERMAN)	
3	LX6340010	1	QUICK SETUP GUIDE, MFC-J615W FOR CHE (GERMAN)	
3	LX6305058	1	QUICK SETUP GUIDE, MFC-J415W FOR CHE (FRENCH)	
3	LX6220015	1	QUICK SETUP GUIDE, MFC-J220/MFC-J410 FOR SPA	
3	LX6305015	1	QUICK SETUP GUIDE, MFC-J265W/MFC-J415W FOR SPA	
3	LX6340015	1	QUICK SETUP GUIDE, MFC-J615W FOR SPA	
3	LX6274016	1	QUICK SETUP GUIDE, DCP-J125 FOR CHE/ITA (ITALIAN)	
3	LX6209016	1	QUICK SETUP GUIDE, DCP-J315W FOR CHE/ITA (ITALIAN)	
3	LX6075016	1	QUICK SETUP GUIDE, DCP-J515W/DCP-J715W FOR ITA	
3	LX6220016	1	QUICK SETUP GUIDE, MFC-J220/MFC-J410 FOR CHE/ITA (ITALIAN)	
3	LX6305016	1	QUICK SETUP GUIDE, MFC-J265W FOR ITA	
3	LX6340016	1	QUICK SETUP GUIDE, MFC-J615W FOR ITA	
3	LX6305018	1	QUICK SETUP GUIDE, MFC-J265W/MFC-J415W FOR POR	
3	LX6220018	1	QUICK SETUP GUIDE, MFC-J220/MFC-J410 FOR POR	
3	LX6340018	1	QUICK SETUP GUIDE, MFC-J615W FOR POR	
3	LX6220020	1	QUICK SETUP GUIDE, MFC-J220/MFC-J410 FOR CHN	
3	LX6305020	1	QUICK SETUP GUIDE, MFC-J265W FOR CHN	
3	LX6340020	1	QUICK SETUP GUIDE, MFC-J615W FOR CHN	
3	LX6220023	1	QUICK SETUP GUIDE, MFC-J220/MFC-J410 FOR TWN/HK (CANTONESE)	chg
3	LX6305023	1	QUICK SETUP GUIDE, MFC-J415W FOR TWN	
3	LX6274040	1	QUICK SETUP GUIDE, DCP-J125 FOR ZAF/HK/ASA/OCE (ENGLISH)	
3	LX6220024	1	QUICK SETUP GUIDE, MFC-J220 FOR ZAF	
3	LX6209025	1	QUICK SETUP GUIDE, DCP-J315W FOR TUR	
3	LX6220025	1	QUICK SETUP GUIDE, MFC-J220 FOR TUR	
3	LX6274028	1	QUICK SETUP GUIDE, DCP-J125 FOR HK (CANTONESE)	
3	LX6209028	1	QUICK SETUP GUIDE, DCP-J315W FOR HK (CANTONESE)	
3	LX6340028	1	QUICK SETUP GUIDE, MFC-J615W FOR HK (CANTONESE)	
3	LX6209040	1	QUICK SETUP GUIDE, DCP-J315W FOR HK/ASA/OCE (ENGLISH)	
3	LX6220040	1	QUICK SETUP GUIDE, MFC-J220/MFC-J410 FOR HK/ASA/OCE (ENGLISH)	
3	LX6340040	1	QUICK SETUP GUIDE, MFC-J615W FOR HK/ASA/OCE	
3	LX6274031	1	QUICK SETUP GUIDE, DCP-J125 FOR ARG/CHL	
3	LX6220031	1	QUICK SETUP GUIDE, MFC-J410 FOR ARG/CHL	
3	LX6340031	1	QUICK SETUP GUIDE, MFC-J615W FOR ARG/CHL	
3	LX6220039	1	QUICK SETUP GUIFR, MFC-J220 FOR POL	
3	LX6305039	1	QUICK SETUP GUIDE, MFC-J265W/MFC-J415W FOR POL	
3	LX6340039	1	QUICK SETUP GUIDE, MFC-J615W FOR POL	
3	LX6075040	1	QUICK SETUP GUIDE, DCP-J515W/DCP-J715W FOR ASA/OCE	
3	LX6305040	1	QUICK SETUP GUIDE, MFC-J265W/MFC-J415W FOR ASA/OCE	

DCP-J125/DCP-J315W/DCP-J515W/DCP-J715W/

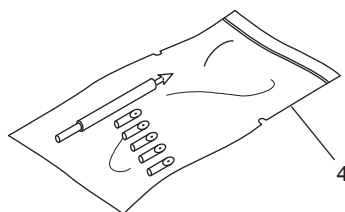
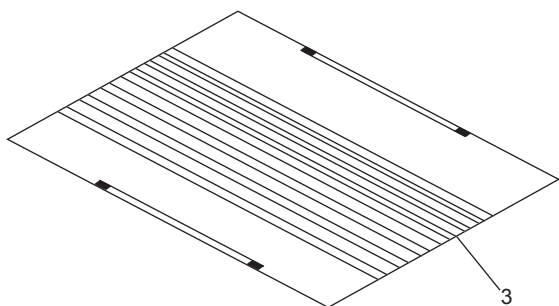
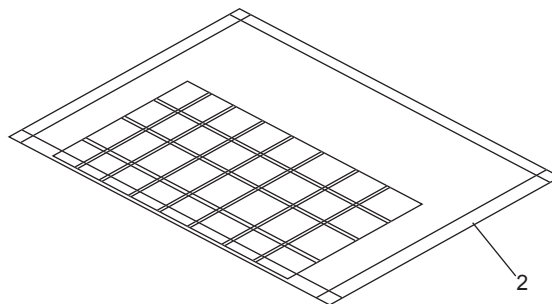
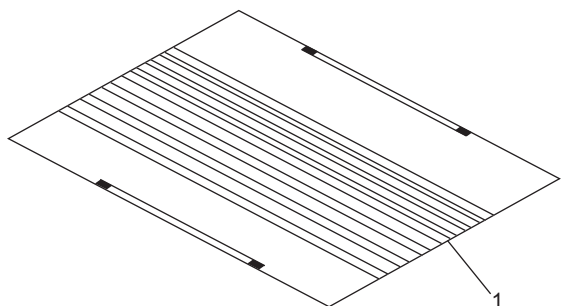
8CAK11/13/15/16/17/19/ MFC-J220/MFC-J265W/MFC-J270W/MFC-J410/MFC-J410W/MFC-J415W/

MFC-J615W/MFC-J630W

List11(PACKAGING)

REF No.	CODE	QTY	DESCRIPTION	REMARKS
3	LX6274018	1	QUICK SETUP GUIDE, DCP-J125 FOR BRA/IBR (PORTUGUESE)	
3	LX6220044	1	QUICK SETUP GUIDE, MFC-J220/MFC-J410 FOR KOR	
3	LX6209048	1	QUICK SETUP GUIDE, DCP-J315W FOR RUS	
3	LX6075048	1	QUICK SETUP GUIDE, DCP-J515W FOR RUS	
3	LX6305048	1	QUICK SETUP GUIDE, MFC-J265W FOR RUS	
3	LX6274007	1	QUICK SETUP GUIDE, DCP-J125 FOR PND (NORWEGIAN)	
3	LX6209007	1	QUICK SETUP GUIDE, DCP-J315W FOR PND (NORWEGIAN)	
3	LX6075007	1	QUICK SETUP GUIDE, DCP-J515W/DCP-J715W FOR PND (NORWEGIAN)	
3	LX6220007	1	QUICK SETUP GUIDE, MFC-J410 FOR PND (NORWEGIAN)	
3	LX6340007	1	QUICK SETUP GUIDE, MFC-J615W FOR PND (NORWEGIAN)	
3	LX6274012	1	QUICK SETUP GUIDE, DCP-J125 FOR PND (FINNISH)	
3	LX6209012	1	QUICK SETUP GUIDE, DCP-J315W FOR PND (FINNISH)	
3	LX6075012	1	QUICK SETUP GUIDE, DCP-J515W/DCP-J715W FOR PND (FINNISH)	
3	LX6220012	1	QUICK SETUP GUIDE, MFC-J410 FOR PND(FINNISH)	
3	LX6340012	1	QUICK SETUP GUIDE, MFC-J615W FOR PND (FINNISH)	
3	LX6274013	1	QUICK SETUP GUIDE, DCP-J125 FOR PND (DANISH)	
3	LX6209013	1	QUICK SETUP GUIDE, DCP-J315W FOR PND (DANISH)	
3	LX6075013	1	QUICK SETUP GUIDE, DCP-J515W/DCP-J715W FOR PND (DANISH)	
3	LX6220013	1	QUICK SETUP GUIDE, MFC-J410 FOR PND (DANISH)	
3	LX6340013	1	QUICK SETUP GUIDE, MFC-J615W FOR PND (DANISH)	
3	LX6274026	1	QUICK SETUP GUIDE, DCP-J125 FOR PND (SWEDISH)	
3	LX6209026	1	QUICK SETUP GUIDE, DCP-J315W FIR PND (SWEDISH)	
3	LX6075026	1	QUICK SETUP GUIDE, DCP-J515W/DCP-715W FOR PND (SWEDISH)	
3	LX6220026	1	QUICK SETUP GUIDE, MFC-J410 FOR PND (SWEDISH)	
3	LX6340026	1	QUICK SETUP GUIDE, MFC-J615W FOR PND (SWEDISH)	
3	LX6274015	1	QUICK SETUP GUIDE, DCP-J125 FOR IBR (SPANISH)	
3	LX6209015	1	QUICK SETUP GUIDE, DCP-J315W FOR IBR (SPANISH)	
3	LX6075015	1	QUICK SETUP GUIDE, DCP-J515W/DCP-J715W FOR IBR (SPANISH)	
3	LX6209018	1	QUICK SETUP GUIDE, DCP-J315W FOR IBR (PORTUGUESE)	
3	LX6075018	1	QUICK SETUP GUIDE, DCP-J515W/DCP-J715W FOR IBR (PORTUGUESE)	
3	LX6274054	1	QUICK SETUP GUIDE, DCP-J125 FOR CEE (ENGLISH)	
3	LX7146038	1	QUICK SETUP GUIDE, DCP-J125 FOR CEE (CZECH/HUNGARIAN)	
3	LX7146039	1	QUICK SETUP GUIDE, DCP-J125 FOR CEE (POLISH/BULGARIAN)	
3	LX7146051	1	QUICK SETUP GUIDE, DCP-J125 FOR CEE (ROMANIAN/SLOVAK)	
3	LX6209037	1	QUICK SETUP GUIDE, DCP-J315W FOR CEE (CZECH/HUNGARIAN/POLISH/ENGLISH)	
3	LX6075037	1	QUICK SETUP GUIDE, DCP-J515W/DCP-J715W FOR CEE	
3	LX6220037	1	QUICK SETUP GUIDE, MFC-J220 FOR CEE (CZECH/HUNGARIAN/ENGLISH)	
3	LX6209059	1	QUICK SETUP GUIDE, DCP-J315W FOR CEE (BULGARIAN/ROMANIAN/SLOVAK)	
3	LX6075059	1	QUICK SETUP GUIDE, DCP-J515W/DCP-J715W FOR CEE (BULGARIAN/ROMANIAN/SLOVAK)	
3	LX6220059	1	QUICK SETUP GUIDE, MFC-J220 FOR CEE (BULGARIAN/ROMANIAN/SLOVAK)	
4	LK4424001	1	PROTECT CTG ASSY CLEANING (SP)	
5	LS5185001	1	ACCESSORIES SHEET, DCP-J315W/DCP-J515W FOR ALL COUNTRIES, DCP-J125/MFC-J220/MFC-J265W EXCEPT FOR US/CAN/BRA	
5	LS5317001	1	ACCESSORIES SHEET, DCP-J715W/MFC-J410/MFC-J630W FOR ALL COUNTRIES, MFC-J415W/MFC-J615W EXCEPT FOR US/CAN/CHN	
5	LS6127001	1	ACCESSORIES SHEET, MFC-J220/MFC-J265W FOR CHN	
5	LS6838001	1	ACCESSORIES SHEET, MFC-J410/MFC-J615W FOR CHN	
6	LX7874001	1	PE BAG 580X650H	chg
7	LS6205001	1	PAPER TRAY STOPPER LABEL ASSY, DCP-J515W/DCP-J715W/MFC-J615W/MFC-J630W	add

12 OTHERS



List12(OTHERS)

REF No.	CODE	Q'TY	DESCRIPTION	REMARKS
1	UF8263001	1	TEST CHART-027	
2	UF9258001	1	COLOR TEST CHART CTC-001	
3	UF4600001	1	CONTRAST CHART TC-023	
4	ZA0310001	1	HEAD CLEANER STICK ASSY (SP)	