

brother®

NOTEBOOK WORD PROCESSOR

Parts List

Model: PN-9000GR/NB-60/NB-80C

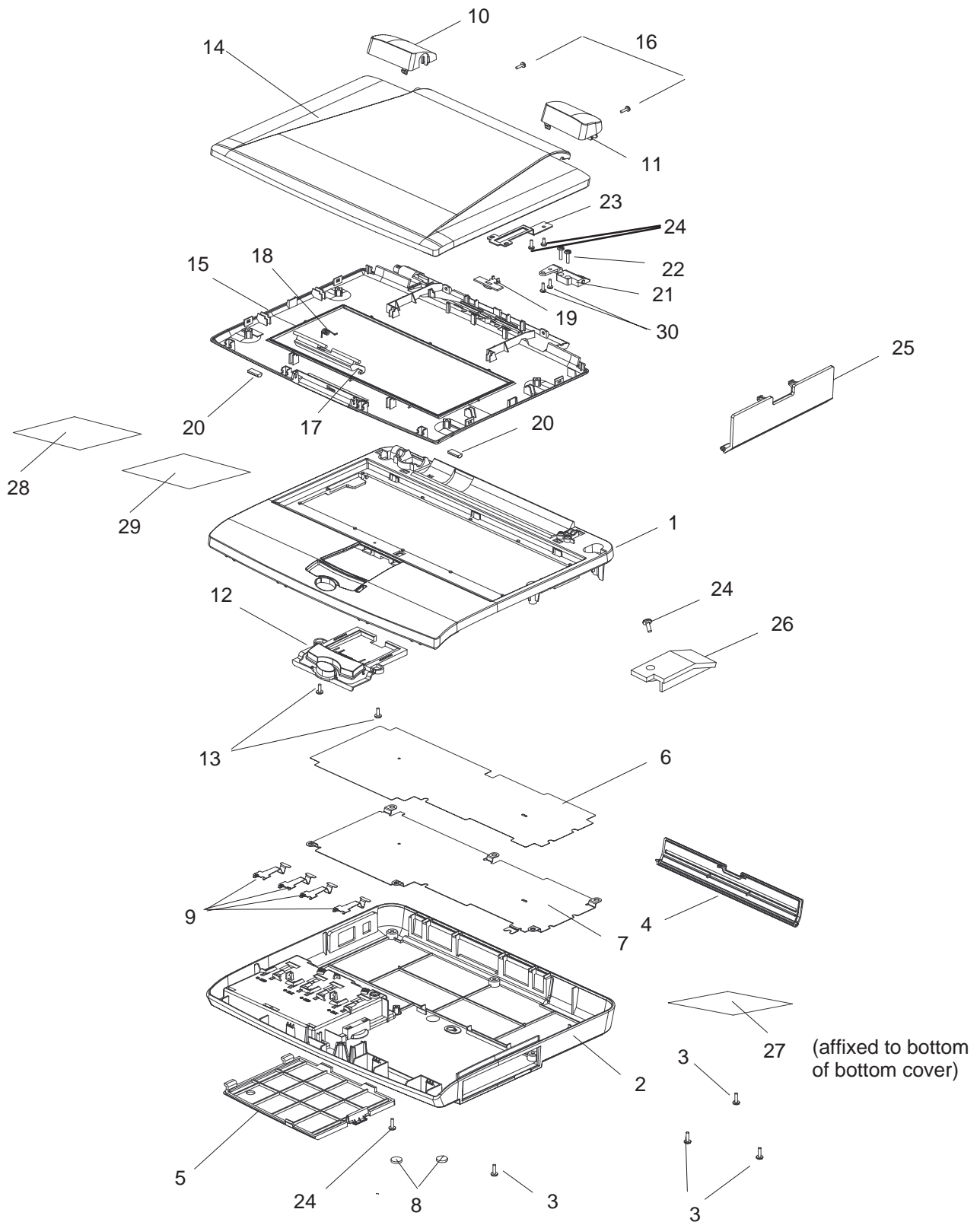


MECHANISM & ELECTRONICS

CONTENTS

- 1. Covers 2
- 2. Main PCB 5
- 3. LCD 6
- 4. Disk Drive 8
- 5. Keyboard (US) 10
- 6. Glidepad 11
- 7. Accessories 12
- 8. Printed Material 13
- 9. Packaging Material 14

1. COVERS (Functional Code -061)

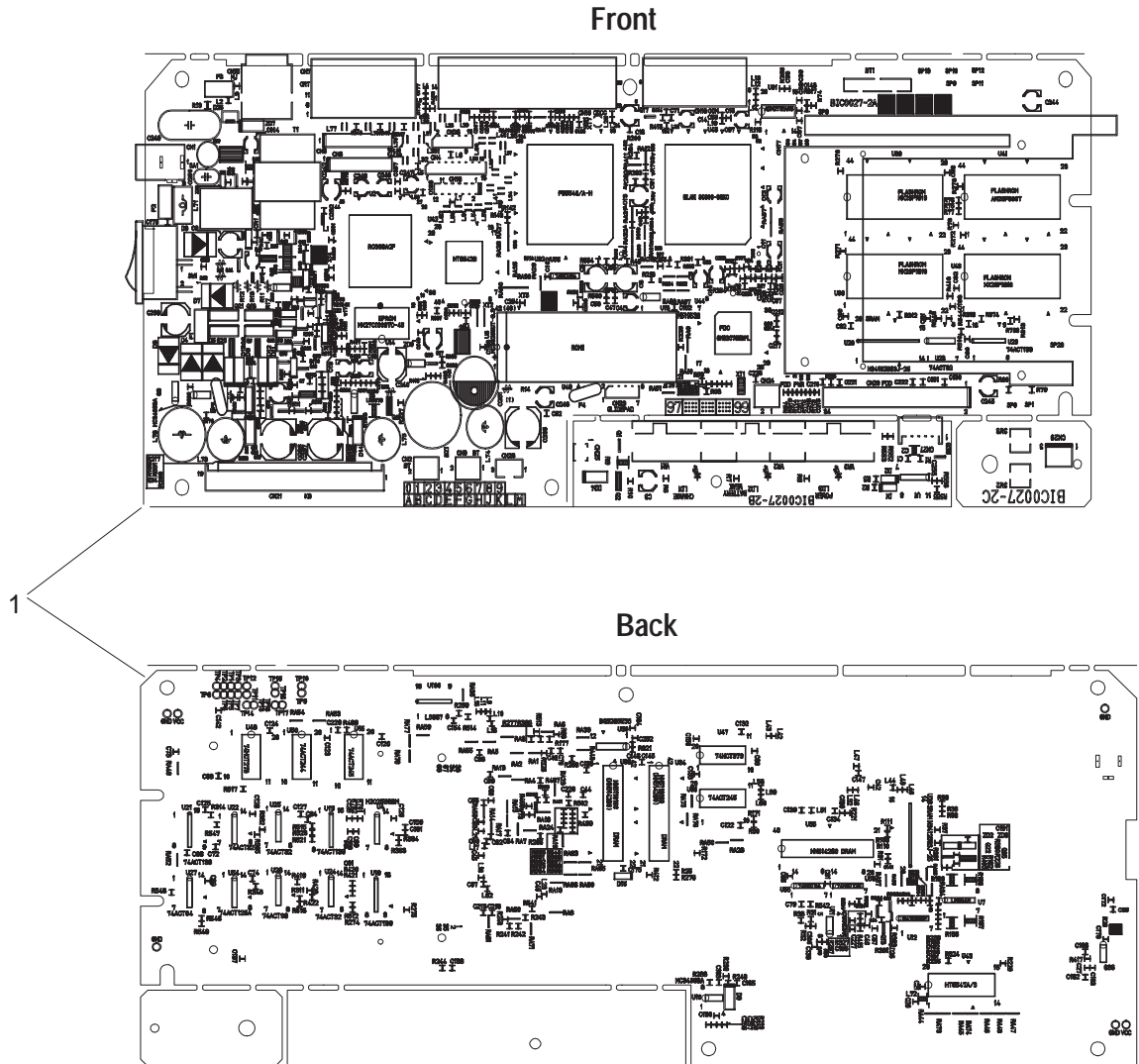


PARTS LIST

PN-9000GR/NB-60/NB-80C

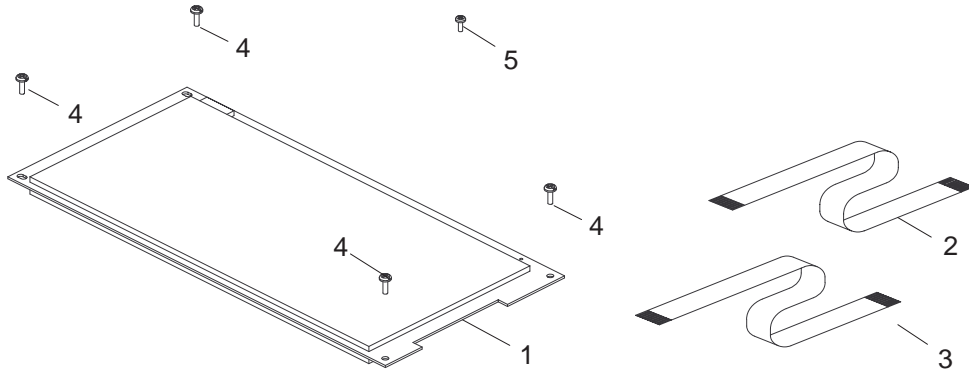
REF. NO.	CODE	QTY	DESCRIPTION	REMARKS
1	US2769020	1	Top Cover, White 1250 for PN-9000GR	
1	US3689020	1	Top Cover S, White 1250 for NB-60/NB-80C	
2	US3688020	1	Bottom Cover 1S, White 1250 for NB-60/NB-80C	
2	US2768020	1	Bottom Cover 2, White 1250 for PN-9000GR	
3	U06923003	4	Taptite, Bind B M3x10	
4	US3211020	1	IF Cover 2, White 1250 for PN-9000GR	
4	US2770020	1	IF Cover, White 1250 for NB-60/NB-80C	
5	US2771020	1	Battery Cover, White 1250	
6	US2773000	1	Insulation Sheet	
7	US2774000	1	Shield Plate Bottom	
8	U41192001	2	Felt Foot	
9	US2776001	4	Battery Terminal	
10	US2777020	1	Shoulder L, White 1250	
11	US2778020	1	Shoulder R, White 1250	
12	US2779020	1	Button, White 1250	
13	U05404001	2	Taptite, Bind B M3X8	
14	US2780020	1	LCD Back, White 1250 for PN-9000GR	
14	US3620020	1	LCD Back NB, White 1250 for NB-60/NB-80C	
15	US2781020	1	LCD Front 0, White 1250 for PN-9000GR	
15	US2783020	1	LCD Front 2, White 1250 for NB-60	
15	US3705020	1	LCD Front CS, White 1250 for NB-80C	
16	U04887001	2	Taptite, Bind B M2.6X8	
17	US2785020	1	Display Latch, White 1250	
18	US2786001	1	Spring	
19	US2787020	1	Contrast Slider, White 1250 for PN-9000GR	
19	US2787020	2	Contrast Slider, White 1250 for NB-60/NB-80C	
20	US2788020	2	Display Rubber, White 1250	
21	US3442001	1	Hinge 2	
22	U07620001	2	Taptite, Bind B M3X12	
23	US2790000	1	Hinge Bracket	
24	UC2598001	4	Taptite, Bind B M2.6X6	
25	US2772020	1	PCMCIA Cover, White 1250 for NB-60/NB-80C	
26	US3313001	1	Harness Cover for NB-80C	
27	US3387001	1	Rating Label, YAGO-0 USA for PN-9000GR	
27	US3388001	1	Rating Label, YAGO-2 USA for NB-60	
27	US3389001	1	Rating Label, YAGO-C USA for NB-80C	
28	US3446001	1	Demo Label 1, for PN-9000GR	
28	US3445001	1	Demo Label 1, for NB-60	
28	US3444001	1	Demo Label 1, for NB-80C	
29	US3570001	1	Demo Label 2, for PN-9000GR	
29	US3572001	1	Demo Label 2, for NB-60	
29	US3573001	1	Demo Label 2, for NB-80C	
30	087310816	2	Taptite, Cup B M 3X8	

2. MAIN PCB (Functional Code -102)

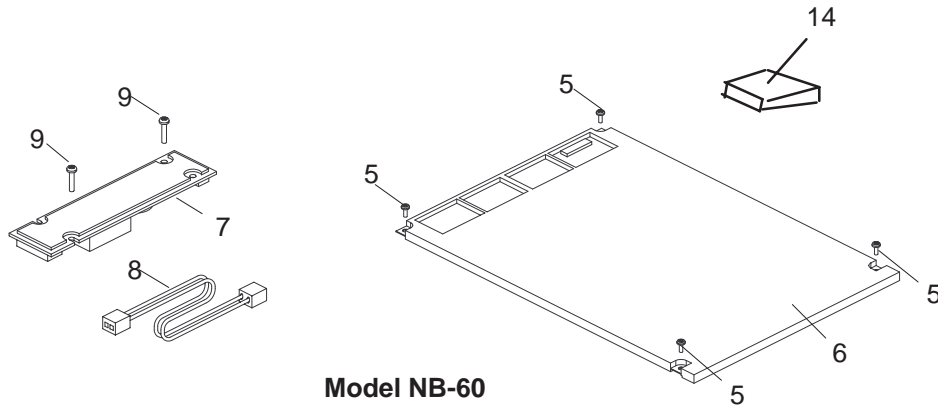


REF. NO.	CODE	QTY	DESCRIPTION	REMARKS
1	US3315001	1	Main PCB Assy-Y0, USA for PN-9000GR (Flash)	
1	US3324021	1	Main PCB Assy-Y2, USA for NB-60 (Flash)	
1	US3330031	1	Main PCB Assy-YC, USA for NB-80C (Flash)	
1	US3315002	1	Main PCB Assy-Y0, USA for PN-9000GR (Mask)	
1	US3324022	1	Main PCB Assy-Y2, USA for NB-60 (Mask)	
1	US3330032	1	Main PCB Assy-YC, USA for NB-80C (Mask)	

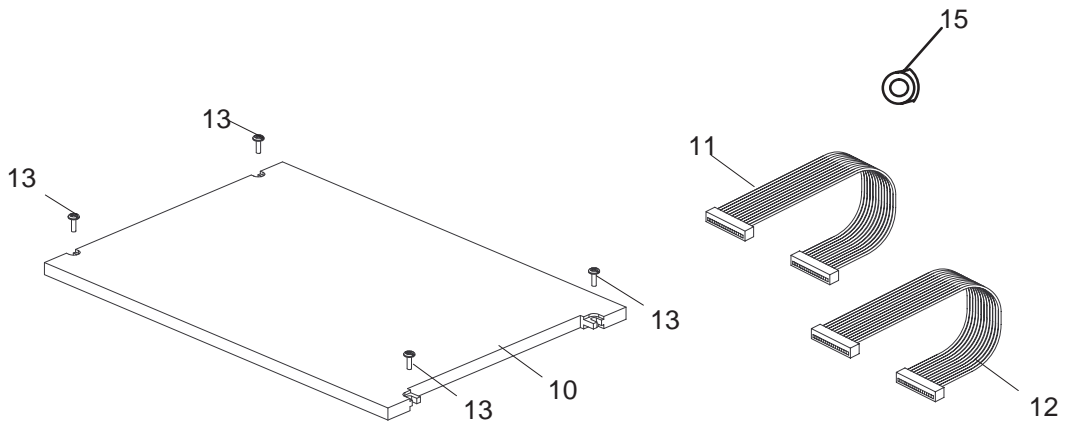
3. LCD (Functional Code -108)



Model PN-9000GR



Model NB-60



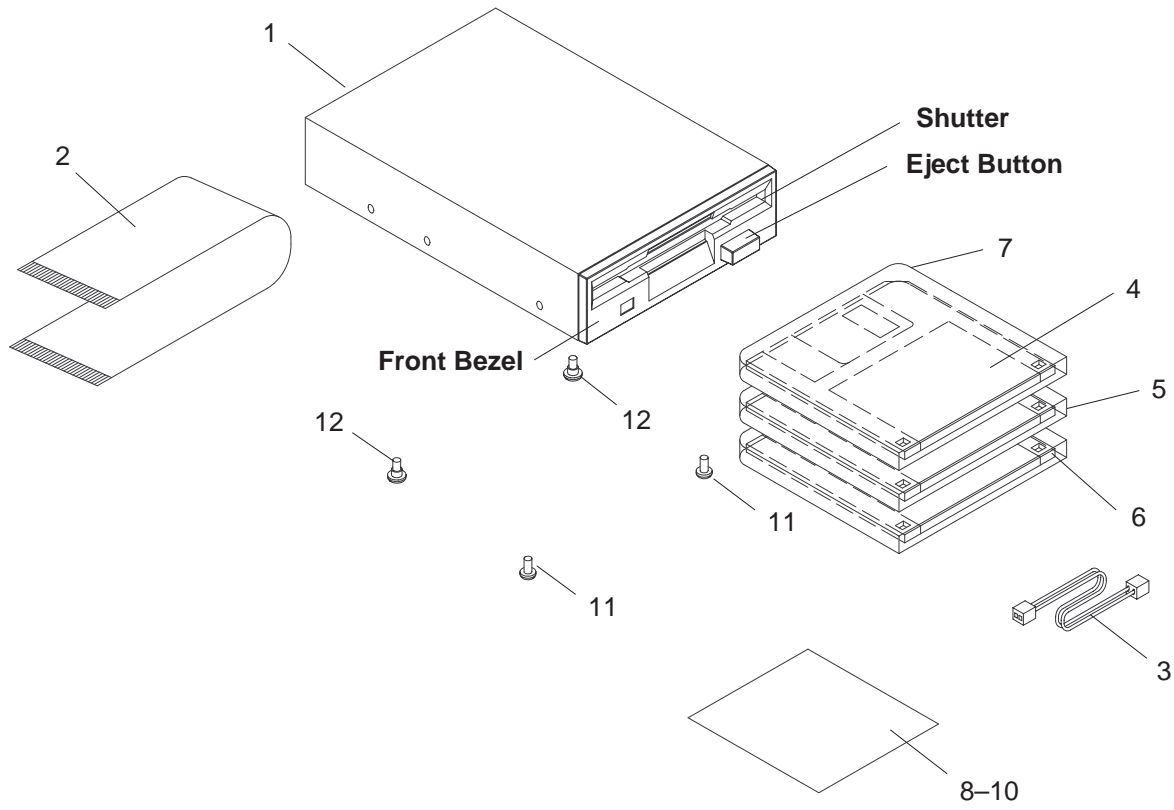
Model NB-80C

PARTS LIST

PN-9000GR/NB-60/NB-80C

REF. NO.	CODE	QTY	DESCRIPTION	REMARKS
1	UC9036001	1	LCD:640X200 for PN-9000GR	
2	US3319001	1	FFC LCD Cable 12P for PN-9000GR	
2	US3755001	1	FFC LCD Cable 16P for NB-60	
3	US3320001	1	FFC Contrast Cable 10P	
4	U05404001	4	Taptite, Bind B M3X8 for PN-9000GR	
5	UC2598001	5	Taptite, Bind B M2.6X6	
6	US3327001	1	MONO VGA 9.4:DMF-50715NFU-FW for NB-60	
7	US3128001	1	INV PCB Assy CXA-L0505 for NB-60/NB-80C	
8	US3329001	1	BL Harness Assy 2P for NB-60/NB-80C	
9	083200815	2	Screw, Pan P 2X8 for NB-60/NB-80C	
10	US3367001	1	Color VGA 10.4: LFUGB613XA-1 for NB-80C	
11	US3368001	1	LCD Harness Assy 14P for NB-80C	
12	US3369001	1	LCD Harness Assy 15P for NB-80C	
13	U06923003	4	Taptite, Bind B M3X10 for NB-80C	
14	US3675001	1	Tape for NB-60	
15	UG3474000	1	Ferrite Core: 20X20X10 for NB-80C	

4. DISK DRIVE (Functional Code -302)

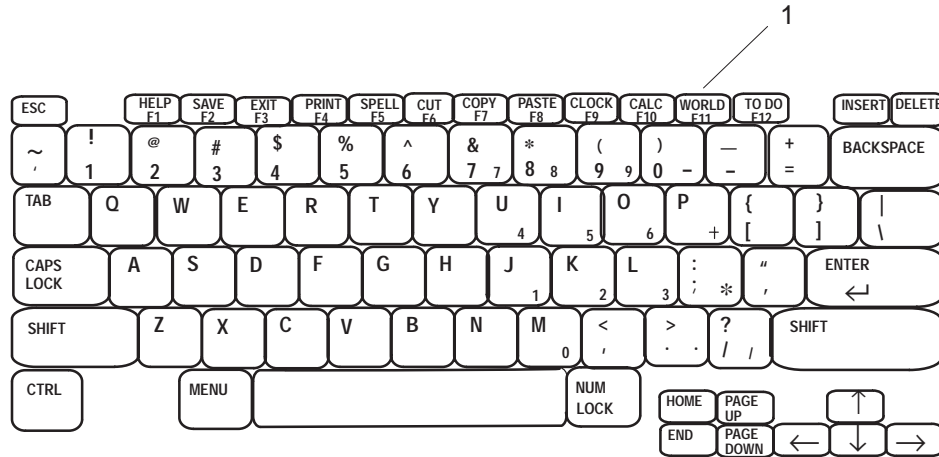


PARTS LIST

PN-9000GR/NB-60/NB-80C

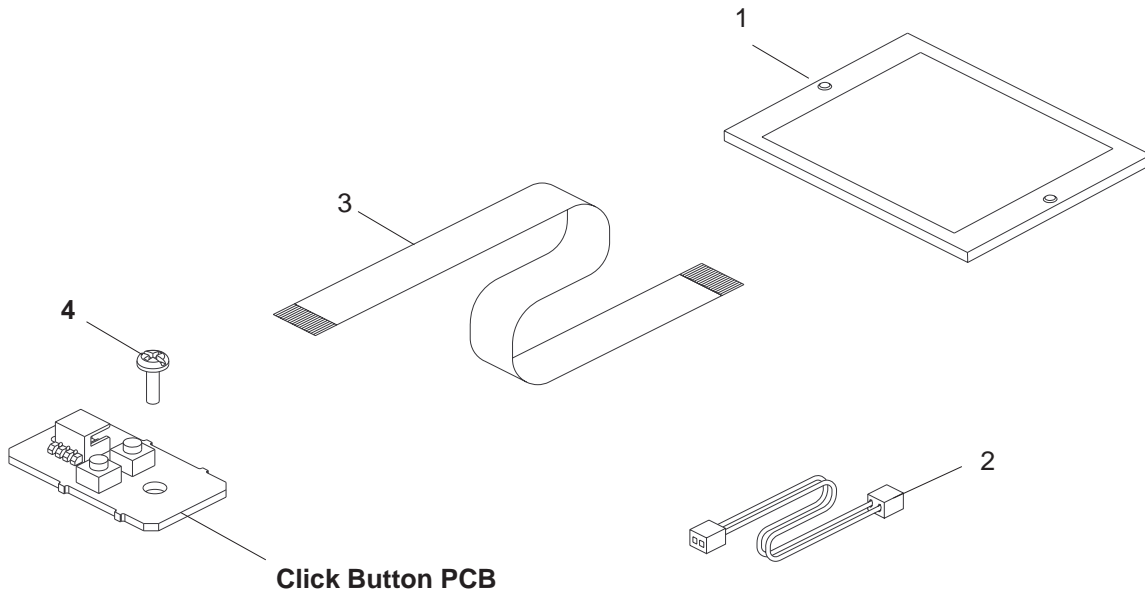
REF. NO.	CODE	QTY	DESCRIPTION	REMARKS
1	US3164020	1	FDD Body ALPS2HD, White 1250	
2	US0208001	1	FDD Harness Assy	
3	US3321001	1	FDD Power Harness Assy 2P	
4	US3841001	1	Diskette 1, 2HD Disk Assy 1, NB, for PN-9000GR	
4	US3476001	1	Diskette 1, 2HD Disk Assy 1, NB, for NB-60/NB-80C	
5	US3480001	1	Diskette 2, 2HD Disk Assy 2, NB, for PN-9000GR	
5	US3477001	1	Diskette 2, 2HD Disk Assy 2, NB, for NB-60/NB-80C	
6	US3481001	1	Diskette 3, 2HD Disk Assy 3, NB, for PN-9000GR	
6	US3478001	1	Diskette 3, 2HD Disk Assy 3, NB, for NB-60/NB-80C	
7	UA8068001	1	3.5 Floppy Disk Poly Bag	
8	US3842001	1	Label 1, GlobeHopper Browser/BR Zip Codes and Area Codes, for PN-9000GR	
8	US3494001	1	Label 1, GlobeHopper Browser/BR Zip Codes and Area Codes/ On-Line Registration, NB-60/NB-80C	
9	US3498001	1	Label 2, TFE/Templates/S/T/Communications/Help Files, for PN-9000GR	
9	US3496001	1	Label 2, TFE/Templates/S/T/Communications/Help Files, for NB-60/NB-80C	
10	US3499001	1	Label 3, Black & White Clip Art, for PN-9000GR	
10	US3497001	1	Label 3, Black & White and Color Clip Art, for NB-60/NB-80C	
11	060300506	2	Screw, Bind M3×5	
12	US3179001	2	Shoulder Screw M3×3.5	

5. US KEYBOARD (Functional Code -402)



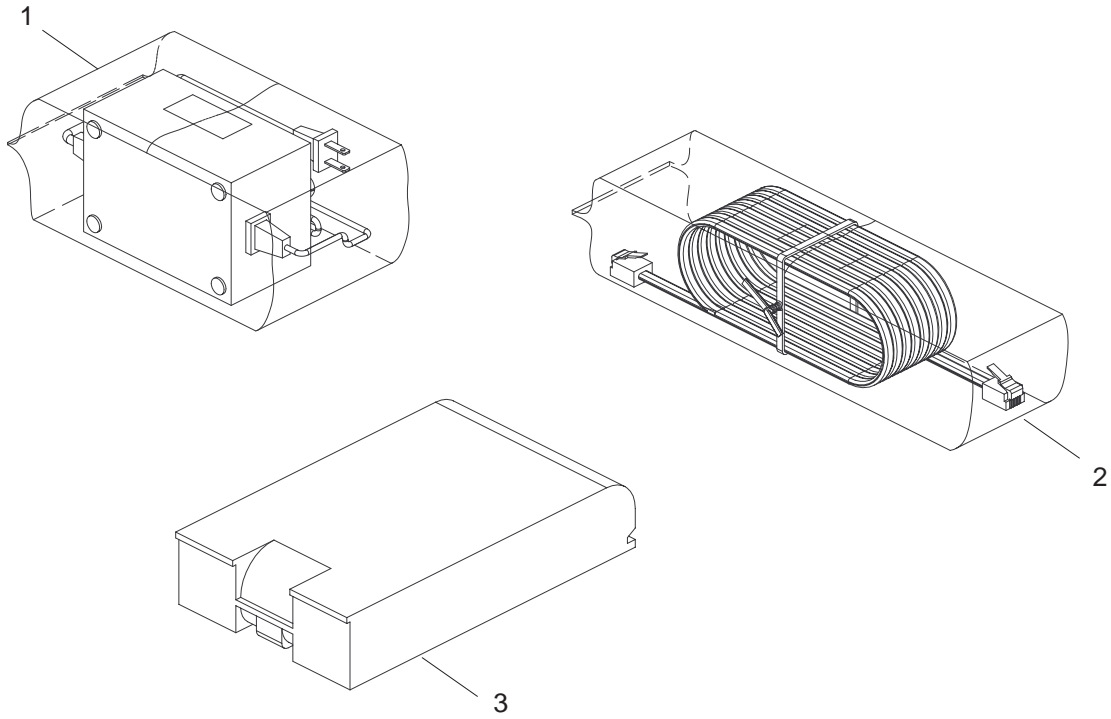
REF. NO.	CODE	QTY	DESCRIPTION	REMARKS
1	US2668020	1	KB Assy 02, YG (US)	

6. GLIDEPAD (Functional Code -502)



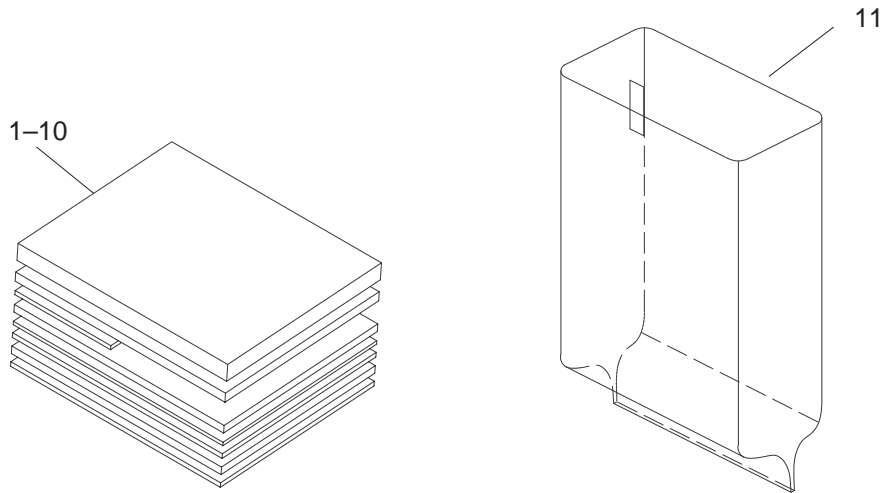
REF. NO.	CODE	QTY	DESCRIPTION	REMARKS
1	US3326001	1	PAD Module:PMV4.0-01100	
2	US3322001	1	PAD Harness Assy 3P	
3	US3323001	1	FFC PAD Cable 8P	
4	U05404001	1	Taptite, Bind B M3X8	

7. ACCESSORIES (Functional Code -910)



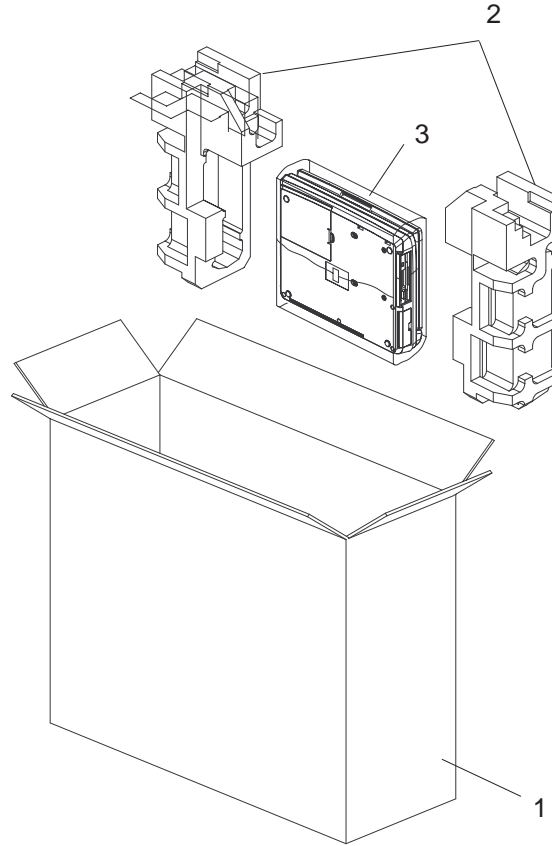
REF. NO.	CODE	QTY	DESCRIPTION	REMARKS
1	US1880001	1	AC Adapter VA, 120V	
2	UG1570001	1	Telephone Line Cord for NB-60/NB-80C	
3	US3629001	1	Battery Pack Assy (US) for NB-60/NB-80C	

8. PRINTED MATERIAL (Functional Code -920)



REF. NO.	CODE	QTY	DESCRIPTION	REMARKS
1	US3580001	1	Owner's Manual 1, English for PN-9000GR	
1	US3390001	1	Owner's Manual 1, English for NB-60/NB-80C	
2	US3618001	1	Owner's Manual 2, English for PN-9000GR	
2	US3475001	1	Owner's Manual 2, English for NB-60/NB-80C	
3	US3483001	1	Warranty Card	
4	US3471001	1	Authorized Service Depots	
5	US3581001	1	Quick Reference Guide for PN-9000GR	
5	US3484001	1	Quick Reference Guide for NB-60/NB-80C	
6	US3844001	1	Accessory Order Form for PN-9000GR	
6	US3485001	1	Accessory Order Form for NB-60/NB-80C	
7	US3486001	1	EarthLink Booklet	
8	US3487001	1	Registration Sheet	
9	US3852001	1	Brother Works Info Sheet	
10	US3843001	1	How-to Booklet	
11	UA7282001	1	Perforated Bag	

9. PACKAGING MATERIAL (Functional Code -930)



REF. NO.	CODE	QTY	DESCRIPTION	REMARKS
1	US3574022	1	Carton Assembly, YAGO-0 for PN-9000GR	
1	US3575022	1	Carton Assembly, YAGO-2 for NB-60	
1	US3576022	1	Carton Assembly, YAGO-C for NB-80C	
2	US3376001	1	Styrofoam Assy	
3	UC7776001	1	Bag	