



Home Sewing Machine

PARTS REFERENCE LIST

MODEL: NV900D

CONFIDENTIAL

©2008 Brother Industries, Ltd.
All rights reserved.

Published: Jan.,2008
Revised: Jan.,2017

Country Code & Abbreviation of Country Name

Country Code	Abbr.	Country Name	Country Code	Abbr.	Country Name	Country Code	Abbr.	Country Name
USA/Canada			Europe			Asia/Oceania		
200	USA	America	401	ZAF	South Africa	601	KOR	Korea
251	CAN	Canada	402	EGY	Egypt	603	TWN	Taiwan
			411	MUS	Mauritius	604	HKG	Hong Kong
301	PER	Peru				605	VNM	Vietnam
302	ARG	Argentina	501	IRE	Ireland	606	IDN	Indonesia
303	CHL	Chile	502	DEU	Germany	607	PHL	Philippines
304	PRY	Paraguay	503	BEL	Belgium	608	MYS	Malaysia
305	URY	Uruguay	505	UK	United Kingdom	609	SGP	Singapore
306	BRA	Brazil	506	FRA	France	615	IND	India
307	VEN	Venezuela	507	NOR	Norway	616	THA	Thailand
308	MEX	Mexico	508	NLD	Netherlands	622	CHN	China
309	COL	Colombia	509	AUT	Austria			
310	PAN	Panama	510	GRC	Greece	701	AUS	Australia
318	GTM	Guatemala	511	SWE	Sweden	702	NZL	New Zealand
324	GUF	FR. Guiana	515	ESP	Spain			
330	BRB	Barbados	516	PRT	Portugal	902	ISR	Israel
399	-	Latin America 2&5	517	ITA	Italy	903	SYR	Syria
			519	FIN	Finland	904	TUR	Turkey
			520	CHE	Switzerland	905	JOR	Jordan
			521	DNK	Denmark	906	KWT	Kuwait
			524	MLT	Malta	908	SAU	Saudi Arabia
			550	EEU	East Europe	909	IRQ	Iraq
			556	RUS	Russia	910	IRN	Iran
			599	NEU	North Europe	911	CYP	Cyprus
						915	UAE	United Arab Emirates

Meaning of "R" and "H"

No.	CODE	NAME	R/H	REMARKS
1	XA9644050	T BELT	H	High mortality parts
2	XA8474051	UPSET 4X12 DB		
3	XA9652150	MOTOR FAN		
4	XC5764051	MOTOR HOLDER BASE		
5	X57908052	TAPTITE, BIND S M4X10		
6	XE8185001	MAIN MOTOR ASSY	R/H	Recommend spare parts & High mortality parts
7	XC6481051	MOTOR CAP		
8	XA9649050	FEEDER TUBE 3X		
9	XC0443051	SPACER 4X7		
10	XA9650051	MOTOR SPACER PRESSER		
11	052401605	SCREW, PAN (S/P WASHER) M4X16		
12	XC5762051	MOTOR HOLDER		
13	XC5763051	MOTOR HOLDER SPACER		
14	XE1142001	NEEDLE PLATE	R	Recommend spare parts
15	XC6404051	SCREW, FLAT M4		

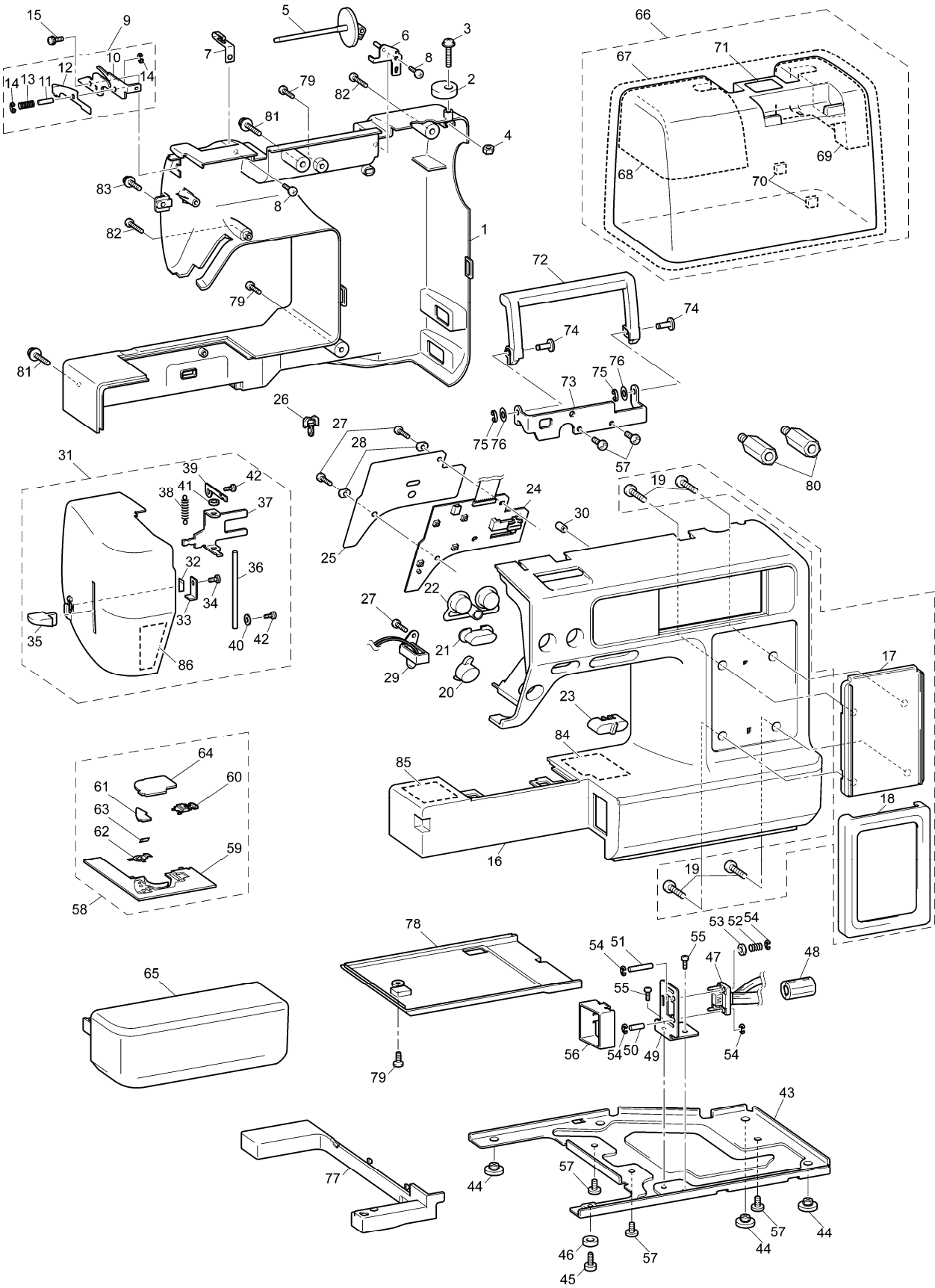
CONTENTS

(1)	MAIN FRAME / COVER	2
(2)	UPPER SHAFT / NEEDLE BAR / PRESSER FOOT UNIT.....	4
(3)-1	FEED UNIT (New type)	8
(3)-2	FEED UNIT (Old type).....	10
(4)	THREAD CUTTING UNIT.....	12
(5)	BOBBIN WINDING / NEEDLE THREADING MECHANISM	14
(6)	ELECTRIC PARTS / MAIN MOTOR UNIT	16
(7)	EMBROIDERY UNIT	18
(8)	ACCESSORY PARTS / USER MANUAL / PACKAGE	20
	SPARE PARTS	22

Note on parts:

We keep performance parts for this sewing machine for at least 8 years after this model is discontinued. Performance parts are the necessary parts to maintain the function of the sewing machine.

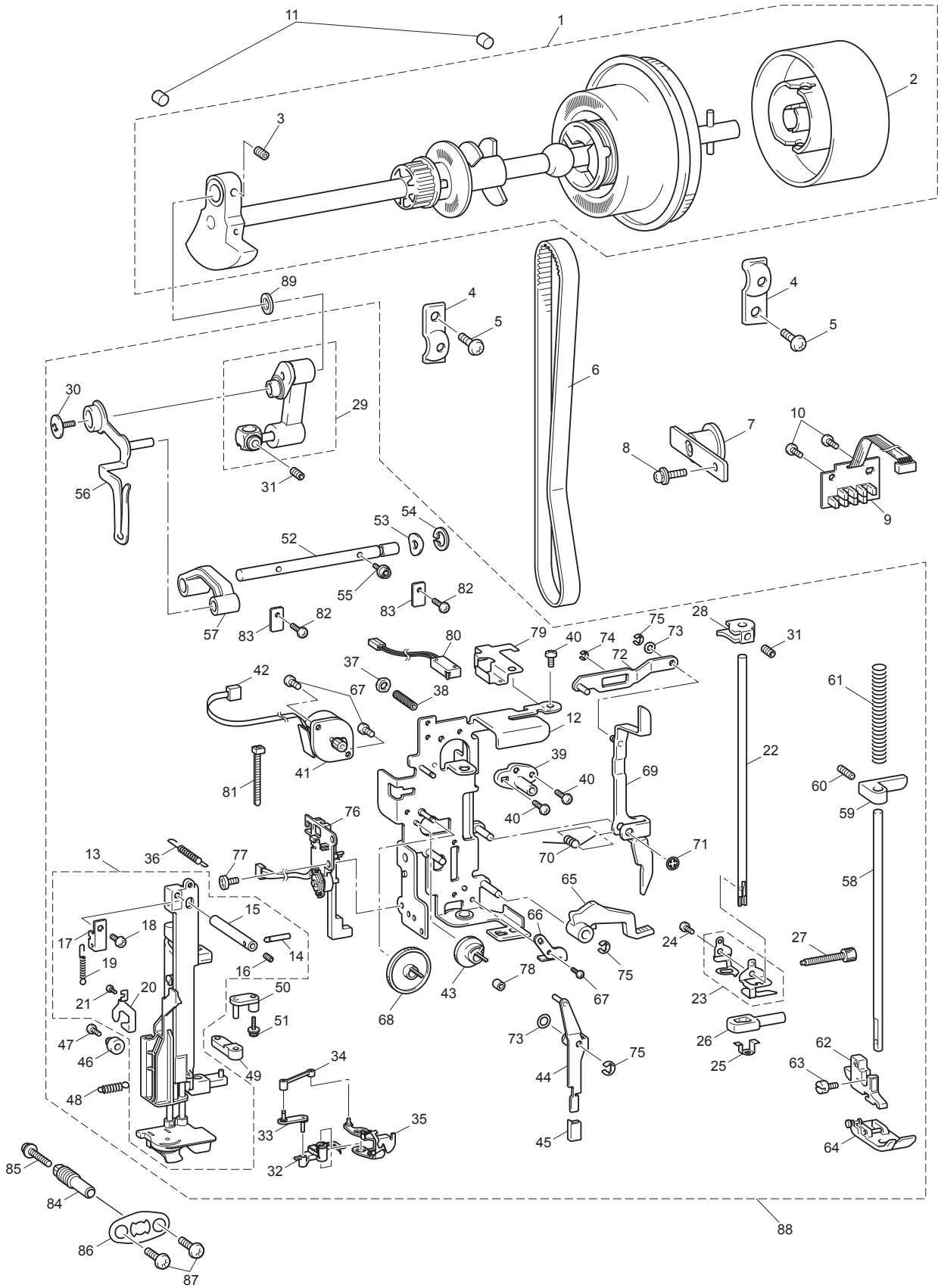
(1) MAIN FRAME / COVER



(1) MAIN FRAME / COVER

No.	CODE	NAME	R/H	REMARKS	No.	CODE	NAME	R/H	REMARKS
1	XE3351001	REAR COVER	R		45	XC3471021	ADJUSTING SCREW		
2	XC4517151	BOBBIN PRESSER			46	XC3472021	BASE PLATE RUBBER	H	
3	0A4302006	SCREW PAN (S/P WASHER) M3X20			47	XD0351051	LEAD WIRE ASSY MAIN BODY FCOMB		
4	021300106	NUT 1 M3			48	XE1829001	FERRITE CORE: K1NF-75(N)BK2		
5	XA1786053	SPOOL PIN			49	XE2942001	CONNECTOR HOLDER		
6	XE1394001	SPOOL PIN HOLDER ASSY			50	XD0353051	ES PIN F-A		
7	XE1490101	THREAD GUIDE SUPPORTING PLATE			51	XD0945051	ES PIN F-B		
8	085311216	TAPTITE BIND B M3X12			52	XD0967051	SPRING, COMPRESSION		
9	XE2910001	THREAD GUIDE PLATE ASSY			53	XC2514021	FEED BAR SPACER		
10	XE2911001	THREAD GUIDE PLATE			54	048020343	RETAINING RING E2		1000038911
11	XE2912001	SHAFT			55	060300516	SCREW BIND M3X5		
12	XE2913001	THREAD GUIDE SPRING			56	XE3145001	CONNECTOR HOLDER COVER		
13	X57605051	SPRING			57	X57908021	TAPTITE, BIND S M4X10		
14	048020343	RETAINING RING E2		1000032908	58	XD0354251	NEEDLE PLATE B ASSY		
15	X59642021	SCREW			59	XD0355251	NEEDLE PLATE B	H	
16	XE4292001	FRONT COVER SUPPLY ASSY	R		60	XC7371022	SLIDE BUTTON		
17	XE3094001	PHOTO FRAME BASE			61	XD1666052	CUTTER COVER		
18	XE3095001	PHOTO FRAME			62	XD1461051	NEEDLE PLATE COVER SPRING		
19	136681021	TAPTITE, BIND B M3X8			63	X80321021	NT LOWER THREAD CUTTER	H	
20	XE3096101	SS BUTTON			64	XD1645021	NEEDLE PLATE COVER SUPPLY ASSY	H	
21	XE2927001	REVERSE BUTTON			65	XE2943204	ACCESSORY TABLE ASSY		
22	XE2929001	NP BUTTON			66	XE3862001	CASE ASSEMBLY		
23	XE2931001	SV KEY TOP			67	XE3838001	BAG 750X600H		
24	XE2934001	SSVR PCB ASSY: CCOM			68	XE2949001	POLYSYRENE FOAM PAD CASE L		
25	XE2935001	INSULATOR SHEET: CCOM SS			69	XE2950001	POLYSYRENE FOAM PAD CASE R		
26	XC3751021	MINI CLAMP: UAMS-02			70	125440050	CASE FELT		
27	085311016	TAPTITE BIND B M3X10			71	XD0271021	MODEL MARK		
28	XC6363021	BOARD PRESSER			72	XE1447201	HANDLE		1000029226
29	XE2367001	LED LAMP RIGHT SUPPLY ASSY LE1			73	XE2953001	HANDLE HOLDER		
30	XE3376001	RUBBER			74	XE1449001	HANDLE SHAFT		
31	XE2937001	FACE PLATE ASSY	R		75	048040343	RETAINING RING E4		1000038911
32	X80321021	NT LOWER THREAD CUTTER	H		76	137713020	POLYESTER SLIDER		
33	XE1435001	FACE PLATE CUTTER HOLDER			77	XE2954001	BASE FOOT COVER		
34	138433021	TAPTITE, PAN B M3X6			78	XE2955001	BOTTOM COVER		
35	XC9604051	NEEDLE THREAD LEVER KNOB			79	060400816	SCREW BIND M4X8		
36	XA5825051	NEEDLE THREAD LEVER SHAFT			80	XE2956001	STUD		
37	XC3039151	NEEDLE THREAD LEVER			81	087411416	TAPTITE CUP B M4X14		
38	138260051	THREAD THROUGH LEVER SPRING			82	085301616	TAPTITE BIND P M3X16		
39	XA6320050	SHAFT PRESSER PLATE			83	XC7568051	SCREW, PAN (S/P WASHER) M4X14		
40	XA5525051	WASHER, PLAIN			84	XE3359101	UPPER THREAD GUIDE LABEL		
41	XC0508020	RUBBER WASHER			85	XG0195001	LOWER THREAD GUIDE LABEL		1000043067
42	085311016	TAPTITE BIND B M3X10			86	XE3361101	THREAD GUIDE LABEL		
43	XE2941001	BASE PLATE							
44	XA1805021	BASE RUBBER A	H						

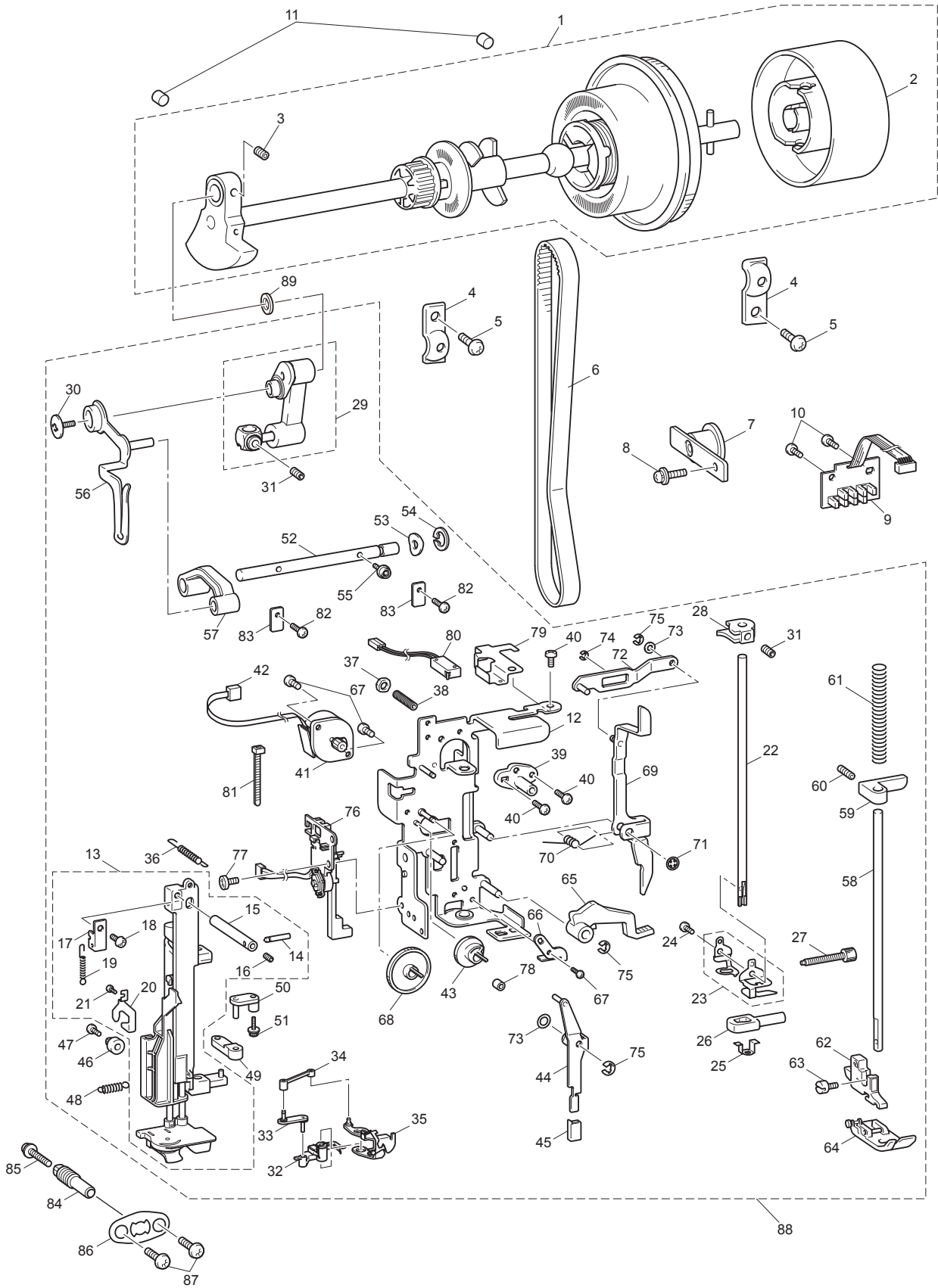
(2) UPPER SHAFT / NEEDLE BAR / PRESSER FOOT UNIT



(2) UPPER SHAFT / NEEDLE BAR / PRESSER FOOT UNIT

No.	CODE	NAME	R/H	REMARKS	No.	CODE	NAME	R/H	REMARKS
UPPER SHAFT MECHANISM					43	XE2977001	Z ZIGZAG CAM		
1	XE3707001	UPPER SHAFT SUPPLY ASSY	H		44	XC8761121	Z ZIGZAG LEVER ASSY		
2	XC2375051	PULLEY			45	XC8764020	Z LEVER CAP		
3	012500532	SET SCREW SOCKET (FT) M5X5			46	XC2435020	ZIGZAG ADJUSTING NUT		
4	132421021	BUSHING PRESSER			47	018301032	BOLT SOCKET M3X10		
5	X57908021	TAPTITE, BIND S M4X10			48	XC2748021	SPRING-Z		
6	XE5842001	TIMING BELT 420-5KC-6	H	1000034635	49	XC2436021	NEEDLE HOLDER BLOCK		
7	XE3581001	TENSION PULLEY ASSEMBLY			50	XC2437021	SHAFT ASSY		
8	138172021	SCREW, PAN (S/P WASHER) M4X10			51	XC3037021	SCREW3X10		
9	XE3036001	NP PCB ASSY CCOM			52	XE1470101	TAKE-UP SUPPORT SHAFT		
10	060400816	SCREW BIND M4X8			53	XZ5030001	WASHER, SPRING		
11	XC3183051	FELT			54	048050343	RETAINING RING E5		1000038911
NEEDLE BAR / PRESSER FOOT UNIT					55	XC3338021	SCREW3X8		
12	XE2967001	BASE HOLDER ASSY CE			56	XC8564031	THREAD TAKE-UP LEVER		
13	XE2970001	NEEDLE BAR HOLDER ASSY	H		57	XC4897020	THREAD TAKE-UP LEVER LINK		
14	XC2420020	SHAFT			58	XC4898021	PRESSER BAR		
15	XC8754021	NEEDLE HOLDER SHAFT A			59	XC4899121	PRESSER BAR CLAMP		
16	014300532	SET SCREW SOCKET (CP) M3X5			60	XC7207021	SCREW STUD M5		
17	XC8755020	PLATE			61	XC4900021	SPRING		
18	060300516	SCREW BIND M3X5			62	XE2555101	PRESSER FOOT HOLDER ASSY		
19	X50476021	SPRING			63	XG1343001	SCREW SM3.57-40X8	H	1000052522
20	XE1463001	HOOK RELEASE PLATE			64	XZ5134001	Z FOOT		1000031636
21	000020416	SCREW BIND M2X4		1000042428	65	XE2982001	PRESSER FOOT LIFTER	H	
22	XF2685001	NEEDLE BAR	H	1000040787	66	XE2983001	EMBROIDERY PRESSER STOPPER		
23	XE7727201	N/B THREAD GUIDE SUPPLY ASSY		1000027848	67	060300416	SCREW BIND M3X4		
24	X53053052	SCREW SM2.38			68	XE2984001	T CAM		
25	XC2426020	NEEDLE THREAD PLATE			69	XE2985001	THREAD RELEASE LEVER ASSY		
26	XC2427051	NEEDLE BLOCK			70	XC4904121	SPRING		
27	XZ0388251	NEEDLE CLAMP SCREW	H		71	146200021	RETAINING RING, CS4		
28	XC2434021	NEEDLE THREAD BLOCK			72	XE2988001	THREAD RELEASER ASSY		
29	XC6562131	NEEDLE BAR CRANK ROD ASSY	H		73	137713020	POLYESTER SLIDER		
30	XE1999001	SCREW, FLAT SM3.57-40X7 L			74	048020343	RETAINING RING E2		1000038911
31	012400432	SET SCREW SOCKET (FT) M4X4			75	048040343	RETAINING RING E4		1000038911
32	XE1464501	THREADER HOOK ASSY	H		76	XE3570101	BH SWITCH ASSY		1000031599
33	XD1546051	LINK A ASSY			77	0A4400806	SCREW PAN (S/P WASHER) M4X8		
34	XD1548151	LINK B			78	XC8773020	RUBBER		
35	XE1465001	THREAD GUIDE ASSY			79	XE1507001	PRESSER SWITCH HOLDER		
36	XC2429021	SPRING			80	XE2991001	PF SWITCH ASSY: CCOM		
37	X56851021	LOCK NUT			81	X53169020	BAND		
38	014401232	SET SCREW SOCKET (CP) M4X12			82	X57908021	TAPTITE, BIND S M4X10		
39	XC8756021	SHAFT BUSHING			83	X50532021	PRESSER PLATE		
40	060300616	SCREW BIND M3X6			84	XC2504050	ADJUSTING SCREW		
41	XE2974001	Z PULSE MOTOR: M35SP-9N CCOM			85	XZ0380051	SCREW, PAN (WASHER) M3X18		
42	XE2976001	LEAD WIRE ASSY ZPM-CCOM			86	XC6056120	PLATE SPRING		

(2) UPPER SHAFT / NEEDLE BAR / PRESSER FOOT UNIT

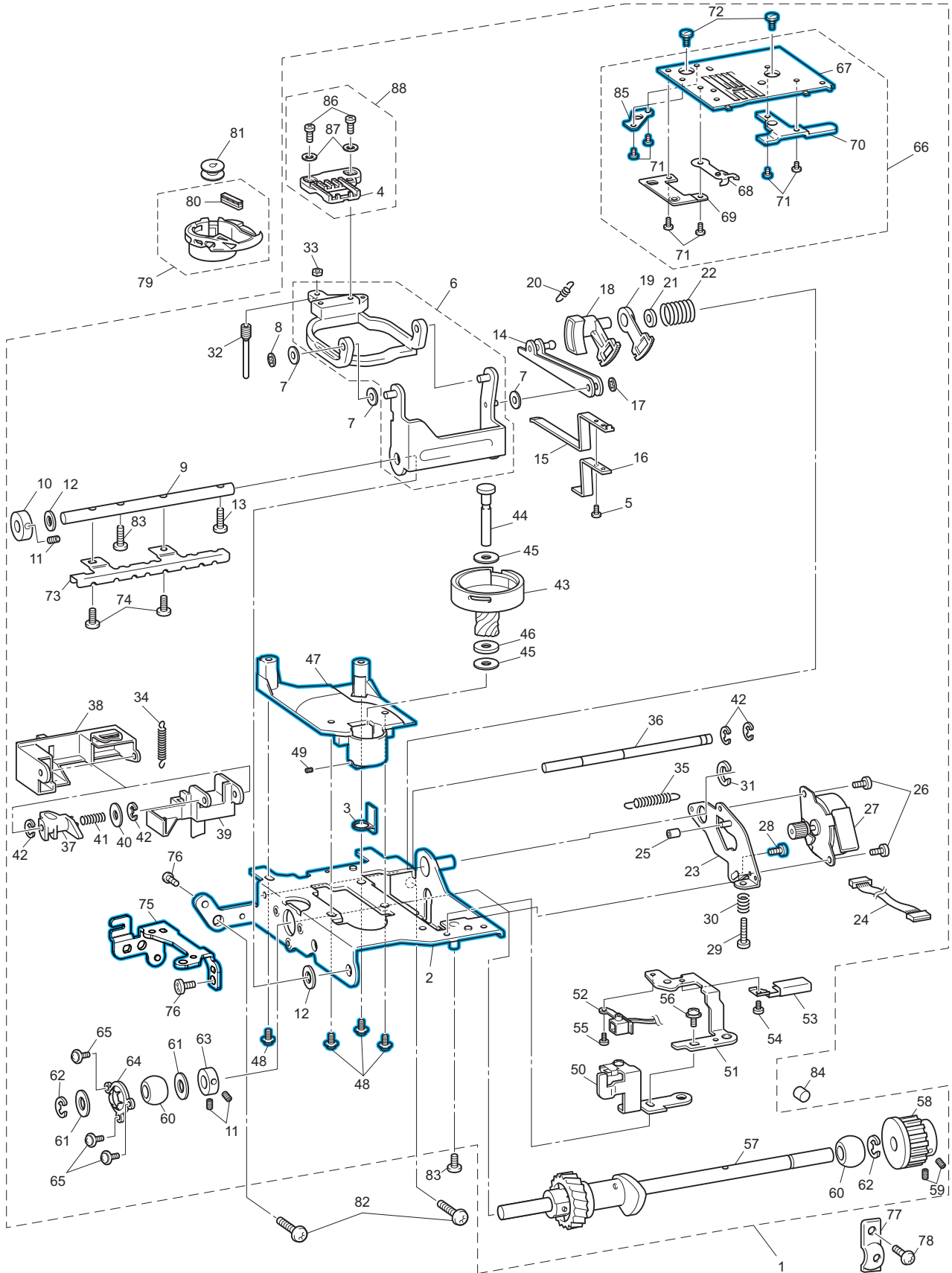


(2) UPPER SHAFT / NEEDLE BAR / PRESSER FOOT UNIT

No.	CODE	NAME	R/H	REMARKS
87	060400816	SCREW BIND M4X8		
88	XE4809101	NEEDLE UNIT SUPPLY ASSY CC		1000029344
89	X53330020	WASHER		1000034663

(3)-1 FEED UNIT (New type)

*There are two types (new type / old type) of the feed unit and the using parts are different. When ordering parts, check the shape of the parts indicated in blue to order appropriate ones.

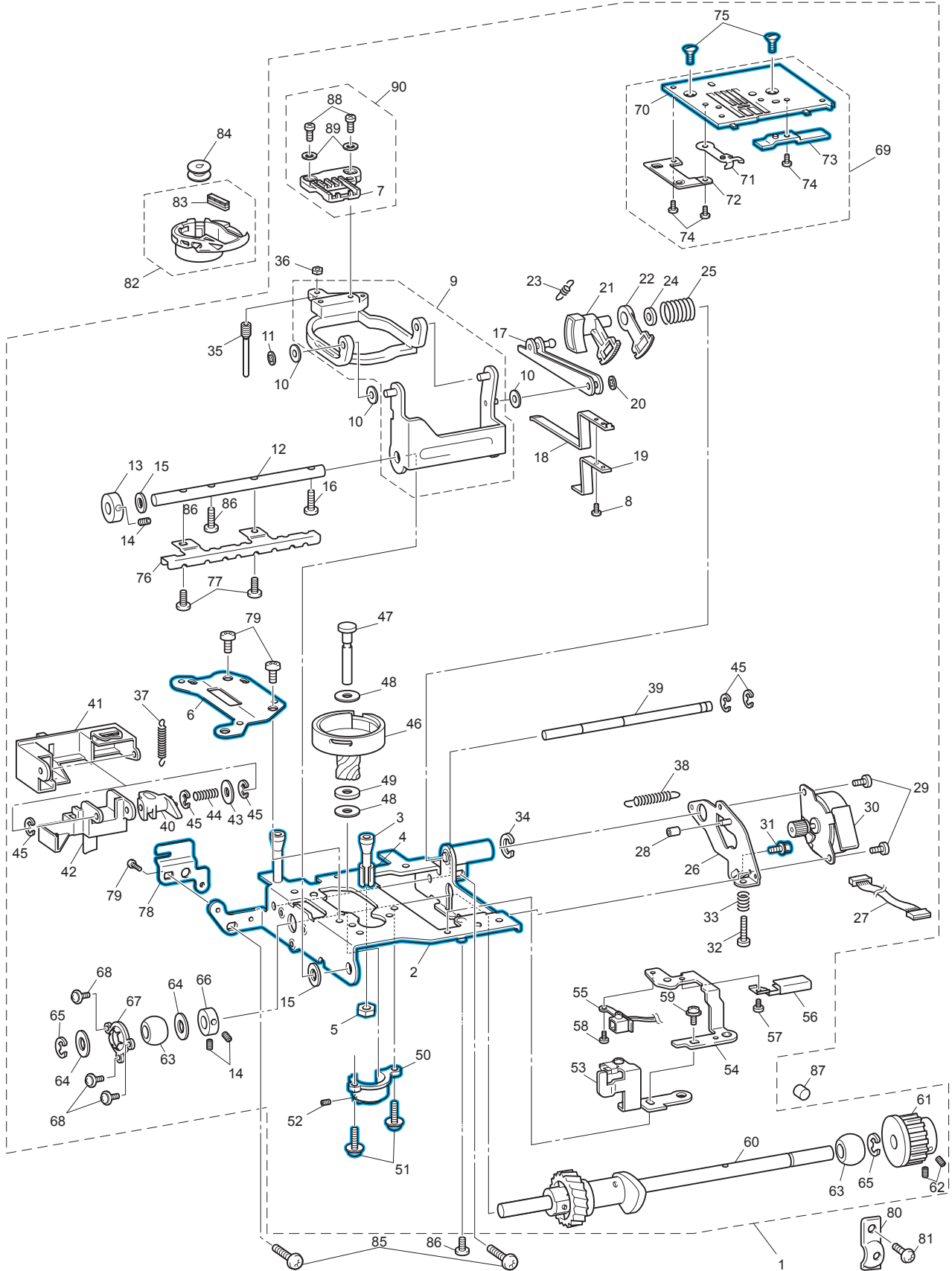


(3)-1 FEED UNIT (New type)

No.	CODE	NAME	R/H	REMARKS	No.	CODE	NAME	R/H	REMARKS
1	XF5532101	FEED UNIT SUPPLY ASSY CCN		1000042713	45	137805022	SPACER		
2	XE6467201	BASE PLATE ASSY		1000033187	46	137976021	WASHER 6		
3	XE5656001	FEED ARM SUPPORTER		1000033187	47	XZ5092001	SHAFT SUPPORTER		1000033187
4	XE7489201	FEED DOG		1000049231	48	0A4400806	SCREW PAN (S/P WASHER) M4X8		1000033187
5	060300616	SCREW BIND M3X6			49	014400632	SET SCREW SOCKET (CP) M4X6		1000033187
6	XE2015201	FEED BAR ASSY			50	XE3650101	INNER ROTARY HOOK BRACKET ASSY		
7	137999020	POLYESTER SLIDER			51	XE2998001	PHOTO DIODE SUPPORTER		
8	146200021	RETAINING RING, CS4			52	XE2999001	PHOTO DIODE HOLDER ASSY		
9	XE2995001	HORIZONTAL FEED SHAFT			53	XC7866351	CORD HOLDER		
10	130676121	SET SCREW COLLAR			54	060260316	SCREW BIND M2.6X3		
11	014400432	SET SCREW SOCKET (CP) M4X4			55	000020416	SCREW BIND M2X4		
12	X50546020	WASHER, THRUST			56	0A5300806	SCREW PAN (S/P WASHER) M3X8		
13	060301206	SCREW BIND M3X12			57	XE3002001	LOWER SHAFT ASSY		
14	XC4924021	FEED ARM ASSY			58	XC4943021	TIMING PULLEY D		
15	XC4927021	FEED SUPPORTING PLATE			59	014500532	SET SCREW SOCKET (CP) M5X5		
16	XC4928120	FEED SUPPORTING PLATE B			60	X52664020	LOWER SHAFT BUSHING		
17	X56655021	RETAINING RING: CSTW-3.5			61	X51383020	WASHER, THRUST		
18	XC2527121	FEED ADJUSTER			62	048060343	RETAINING RING E6		1000038911
19	XC2529020	F GEAR			63	XC8798021	SET COLLAR		
20	XC2530021	SPRING			64	XC4944021	BUSHING PRESSER B		
21	137713020	POLYESTER SLIDER			65	085310615	TAPTITE BIND B M3X6		
22	XC2531021	SPRING			66	XF4998001	NEEDLE PLATE A ASSY	H	1000033187
23	XC8791121	FPM HOLDER SUB ASSY		1000038228	67	XE6469001	NEEDLE PLATE A		
24	XE3173001	LEAD WIRE ASSY FPM-CCOM			68	XF2440001	STOPPER PLATE		1000029417
25	XC8773020	RUBBER			69	XE1488001	NEEDLE PLATE B SUPPORT PLATE		
26	060300416	SCREW BIND M3X4			70	XE6471001	F GEAR STOPPER PLATE		
27	XE3637001	FPM INSULATION ASSY CCOM			71	060260316	SCREW BIND M2.6X3		
28	XE6639001	SCREW3X8		1000033187	72	XE6473001	SCREW NEEDLE PLATE	H	1000033187
29	018402533	BOLT SOCKET M4X25			73	XE3004001	LEAD WIRE GUIDE HOLDER		
30	XC2537021	SPRING			74	060300416	SCREW BIND M3X4		
31	XC9924021	RETAINING RING 10			75	XF5447001	THREAD CUTTER MODULE SUPPORTER		1000033187
32	XC3941021	VERTICAL ADJUSTER SCREW ASSY			76	060400516	SCREW BIND M4X5		1000033187
33	XC2546121	M5 NUT		1000042713	77	132421021	BUSHING PRESSER		
34	XE1940001	SPRING			78	X57908021	TAPTITE, BIND S M4X10		
35	XE1478101	SPRING		1000025521	79	XE7560001	INNER ROTARY HOOK ASSY	H	
36	XC8794021	VERTICAL FEED SHAFT			80	XC3137000	PILE		
37	XC2551020	VERTICAL LEVER			81	X52800120	BOBBIN		
38	XE1479101	DROP KNOB		1000032151	82	XE1489001	STUD SCREW M4		
39	XE2996001	DROP LEVER			83	060301206	SCREW BIND M3X12		
40	025040332	WASHER PLAIN L 4			84	XC3183051	FELT		
41	XC2550021	SPRING			85	XE6472001	NEEDLE PLATE HOLDER		
42	048030343	RETAINING RING E3		1000038911	86	060300816	SCREW BIND M3X8		1000046307
43	XC4141121	OUTER ROTARY HOOK ASSY	H		87	026030236	WASHER PLAIN M 3		1000046307
44	XE1480001	OUTER ROTARY HOOK SHAFT			88	XG1797001	FEED DOG SUPPLY ASSY		1000046307

(3)-2 FEED UNIT (Old type)

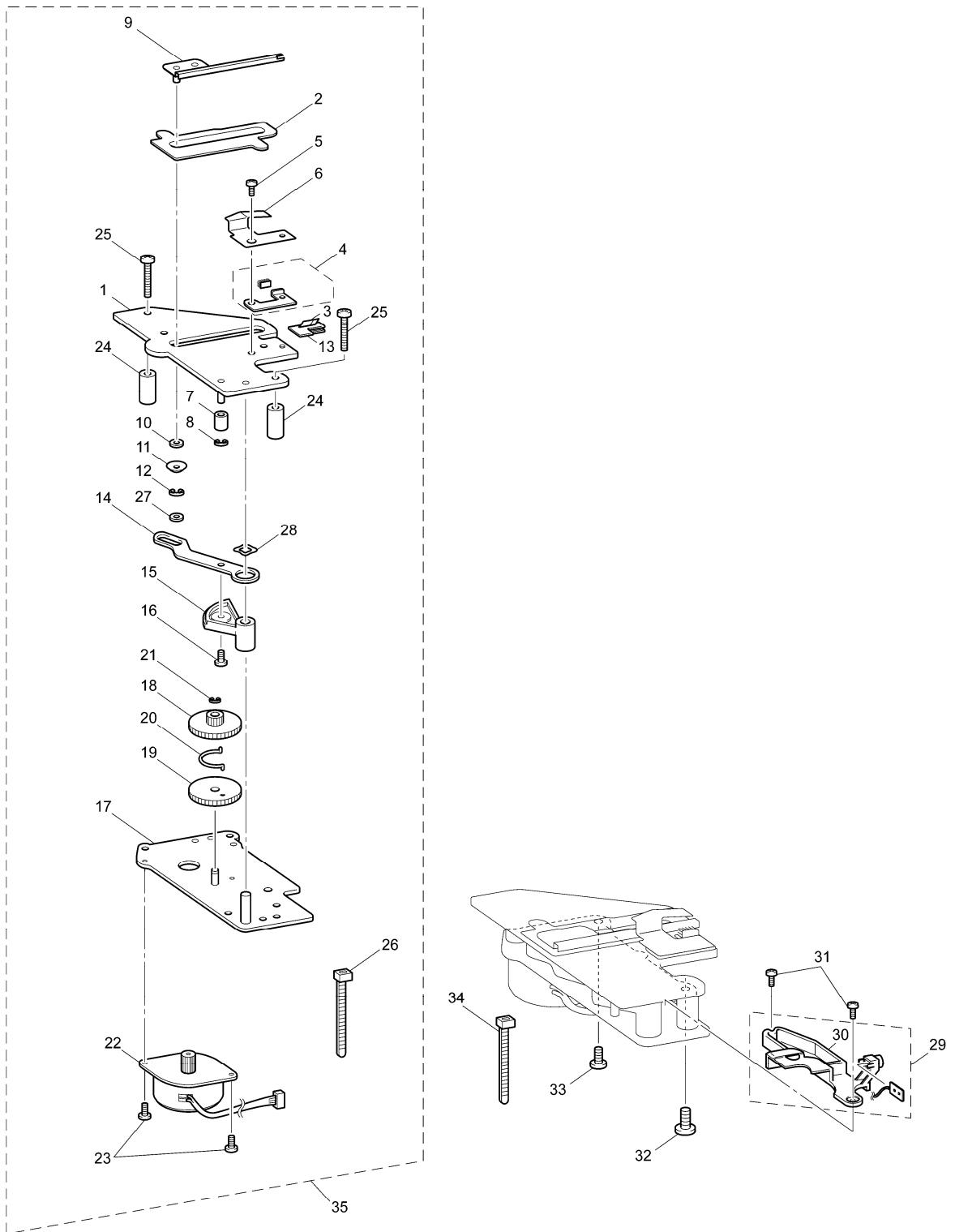
*There are two types (new type / old type) of the feed unit and the using parts are different. When ordering parts, check the shape of the parts indicated in blue to order appropriate ones.



(3)-2 FEED UNIT (Old type)

No.	CODE	NAME	R/H	REMARKS	No.	CODE	NAME	R/H	REMARKS
1	XE4814301	FEED UNIT SUPPLY ASSY CC		1000042713	46	XC4141121	OUTER ROTARY HOOK ASSY		
2	XE1475101	BASE PLATE ASSY			47	XE1480001	OUTER ROTARY HOOK SHAFT		
3	XC8782021	NEEDLE PLATE SUPPORTER SHAFT B			48	137805022	SPACER		
4	XC8783020	FEED ARM SUPPORTER			49	137976021	WASHER 6		
5	021300106	NUT 1 M3			50	XE1481001	SHAFT SUPPORTER		
6	XE2994001	THREAD CUTTER MODULE SUPPORTER			51	138172021	SCREW, PAN (S/P WASHER) M4X10		
7	XE7489101	FEED DOG	H	1000046307	52	014400632	SET SCREW SOCKET (CP) M4X6		
8	060300616	SCREW BIND M3X6			53	XE3650101	INNER ROTARY HOOK BRACKET ASSY		
9	XE2015201	FEED BAR ASSY			54	XE2998001	PHOTO DIODE SUPPORTER		
10	137999020	POLYESTER SLIDER			55	XE2999001	PHOTO DIODE HOLDER ASSY		
11	146200021	RETAINING RING, CS4			56	XC7866351	CORD HOLDER		
12	XE2995001	HORIZONTAL FEED SHAFT			57	060260316	SCREW BIND M2.6X3		
13	130676121	SET SCREW COLLAR			58	000020416	SCREW BIND M2X4		
14	014400432	SET SCREW SOCKET (CP) M4X4			59	0A5300806	SCREW PAN (S/P WASHER) M3X8		
15	X50546020	WASHER, THRUST			60	XE3002001	LOWER SHAFT ASSY		
16	060301206	SCREW BIND M3X12			61	XC4943021	TIMING PULLEY D		
17	XC4924021	FEED ARM ASSY			62	014500532	SET SCREW SOCKET (CP) M5X5		
18	XC4927121	FEED SUPPORTING PLATE			63	X52664020	LOWER SHAFT BUSHING		
19	XC4928120	FEED SUPPORTING PLATE B			64	X51383020	WASHER, THRUST		
20	X56655021	RETAINING RING: CSTW-3.5			65	048060343	RETAINING RING E6		1000038911
21	XC2527121	FEED ADJUSTER			66	XC8798021	SET COLLAR		
22	XC2529020	F GEAR			67	XC4944021	BUSHING PRESSER B		
23	XC2530021	SPRING			68	085310615	TAPTITE BIND B M3X6		
24	137713020	POLYESTER SLIDER			69	XE1827201	NEEDLE PLATE A ASSY	H	1000029417
25	XC2531021	SPRING			70	XE1828201	NEEDLE PLATE A		
26	XC8791121	FPM HOLDER SUB ASSY		1000038228	71	XF2440001	STOPPER PLATE		1000029417
27	XE3173001	LEAD WIRE ASSY FPM-CCOM			72	XE1488001	NEEDLE PLATE B SUPPORT PLATE		
28	XC8773020	RUBBER			73	XE8544001	F GEAR STOPPER PLATE		
29	060300416	SCREW BIND M3X4			74	060260316	SCREW BIND M2.6X3		
30	XE3637001	FPM INSULATION ASSY CCOM			75	X50487021	SCREW M4	H	
31	XC3338021	SCREW3X8			76	XE3004001	LEAD WIRE GUIDE HOLDER		
32	018402533	BOLT SOCKET M4X25			77	060300416	SCREW BIND M3X4		
33	XC2537021	SPRING			78	XE3005001	THREAD CUTTER MODULE SUPPORTER		
34	XC9924021	RETAINING RING 10			79	060400516	SCREW BIND M4X5		
35	XC3941021	VERTICAL ADJUSTER SCREW ASSY			80	132421021	BUSHING PRESSER		
36	XC2546121	M5 NUT		1000042713	81	X57908021	TAPTITE, BIND S M4X10		
37	XE1940001	SPRING			82	XE7560001	INNER ROTARY HOOK ASSY	H	
38	XE1478101	SPRING		1000025521	83	XC3137000	PILE		
39	XC8794021	VERTICAL FEED SHAFT			84	X52800120	BOBBIN		
40	XC2551020	VERTICAL LEVER			85	XE1489001	STUD SCREW M4		
41	XE1479101	DROP KNOB		1000032151	86	060301206	SCREW BIND M3X12		
42	XE2996001	DROP LEVER			87	XC3183051	FELT		
43	025040332	WASHER PLAIN L 4			88	060300816	SCREW BIND M3X8		1000046307
44	XC2550021	SPRING			89	026030236	WASHER PLAIN M 3		1000046307
45	048030343	RETAINING RING E3		1000038911	90	XG1797001	FEED DOG SUPPLY ASSY		1000046307

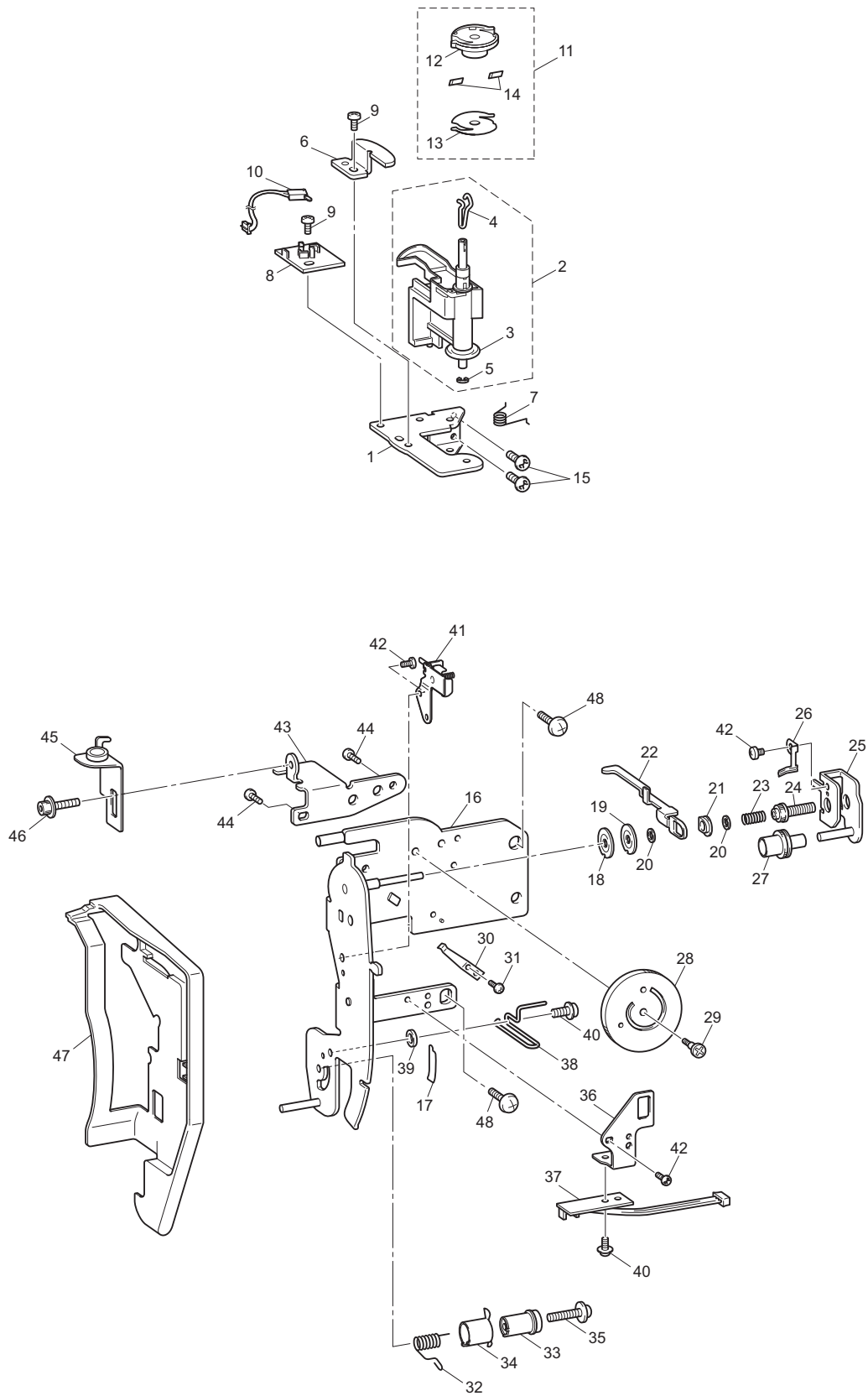
(4) THREAD CUTTING UNIT



(4) THREAD CUTTING UNIT

No.	CODE	NAME	R/H	REMARKS
1	XC9733051	THREAD CUTTER FRAME ASSY		
2	XC9735050	SPACER		
3	X80321021	NT LOWER THREAD CUTTER	H	
4	XE4994001	PRESSER PLATE ASSY	H	
5	060300516	SCREW BIND M3X5		
6	XC2598120	SPRING PLATE	H	
7	XC2587020	RUBBER		
8	048030343	RETAINING RING E3		1000038911
9	XC2583121	THREAD HOOK ASSY		
10	137713020	POLYESTER SLIDER		
11	X56731020	WASHER		
12	048040343	RETAINING RING E4		1000038911
13	XC9736050	CUTTER HOLDER		
14	XC2581221	THREAD CUTTER LEVER		
15	XC2582020	THREAD CUTTER LEVER GEAR		
16	0A4300605	SCREW PAN (S/P WASHER) M3X6		
17	XC2588321	MOTOR HOLDER ASSY		
18	XC2592020	IDLE GEAR A		
19	XC2593020	IDLE GEAR B		
20	X56323021	SPRING		
21	048020343	RETAINING RING E2		1000038911
22	XF7723001	C PULSE MOTOR SMJ35-4840-BP		1000040101
23	060300416	SCREW BIND M3X4		
24	XC2594121	COLLAR		
25	060402016	SCREW BIND M4X20		
26	X53169020	BAND		
27	137713020	POLYESTER SLIDER		
28	XC8407020	WAVE-SHAPE SPRING WASHER		
29	XE3186001	PHOTO TRANSISTOR ASSY		
30	XC9199051	SENSOR HOLDER		
31	0A4300605	SCREW PAN (S/P WASHER) M3X6		
32	060400516	SCREW BIND M4X5		
33	060300516	SCREW BIND M3X5		
34	X53169020	BAND		
35	XD0075351	THREAD CUTTER SUPPLY ASSY		1000044631

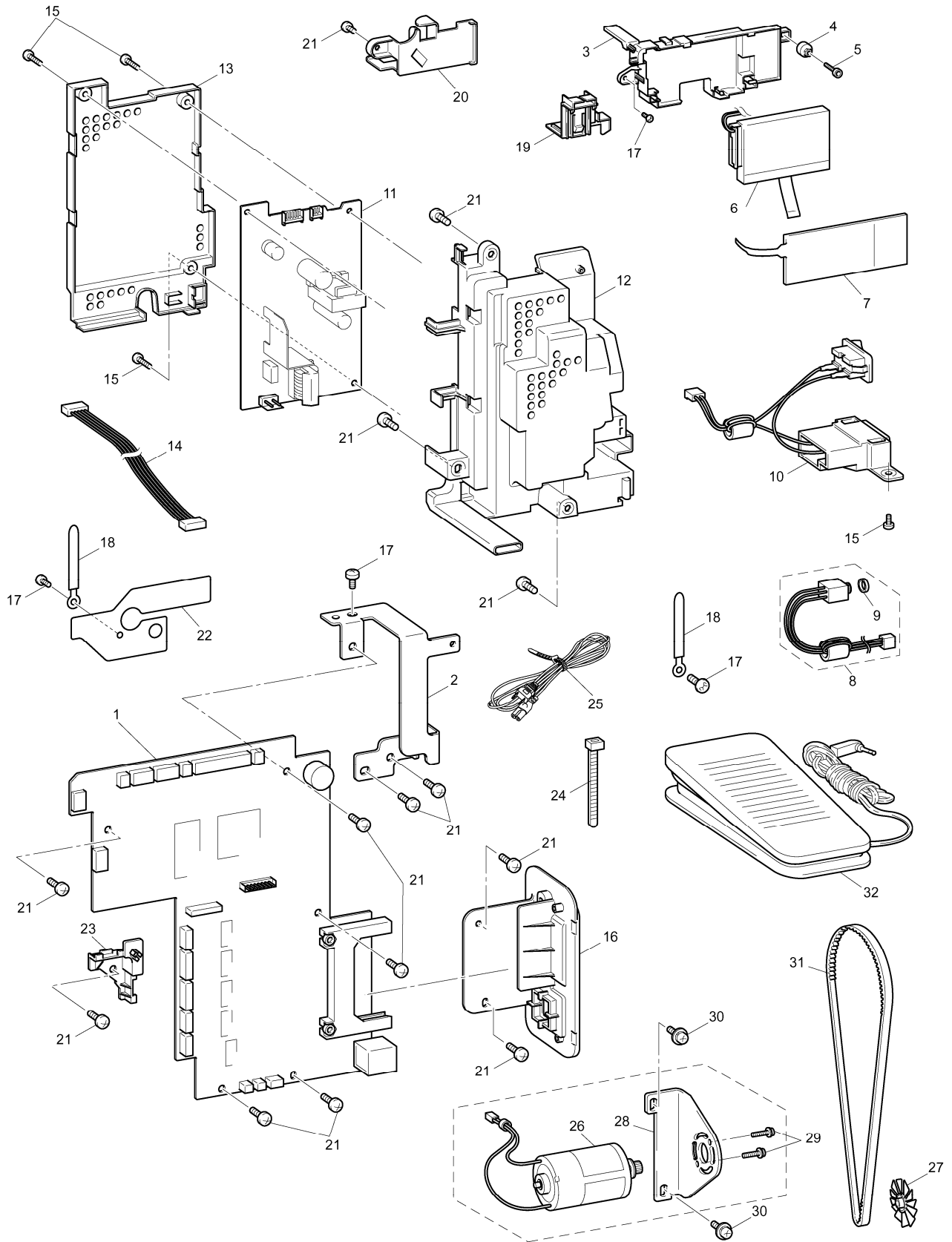
(5) BOBBIN WINDING / NEEDLE THREADING MECHANISM



(5) BOBBIN WINDING / NEEDLE THREADING MECHANISM

No.	CODE	NAME	R/H	REMARKS	No.	CODE	NAME	R/H	REMARKS
BOBBIN WINDING MECHANISM					NEEDLE THREADING MECHANISM				
1	XE3008001	BOBBIN WINDER ASSEMBLY HOLDER			16	XE3011001	THREAD GUARD ASSEMBLY		
2	XE1495001	BW SHAFT HOLDER ASSEMBLY			17	XA9935050	SPRING TAPE		
3	X55238021	RUBBER RING			18	XA0083121	TENSION DISC A	H	
4	XZ5039001	BOBBIN WINDER SHAFT SPRING			19	XA0084121	TENSION DISC B	H	
5	048050343	RETAINING RING E5		1000038911	20	XD0573021	WASHER		
6	XA2862021	BOBBIN WINDER SHAFT STOPPER			21	XA1388021	TENSION DISC WASHER		
7	XZ0070021	BOBBIN WINDER SPRING			22	XE1506001	THREAD RELEASE PLATE		
8	XC2614051	SW ADJUST PLATE		1000046449	23	XE3014001	SPRING		
9	060300616	SCREW BIND M3X6			24	XE3015001	THREAD TENSION ADJUSTING SCREW		
10	XC2612051	SW ASSY: BW-F			25	XE3016001	THREAD TENSION PLATE ASSY		
11	XC4672051	BOBBIN BASE ASSY	H		26	XE3019001	ADJUSTING SCREW SPRING PLATE		
12	XC2616051	BOBBIN BASE		1000034911	27	XE3020101	THREAD TENSION ADJUSTING GEAR		1000033516
13	XA5877021	BOBBIN THREAD CUTTER HOLDER			28	XE3201001	THREAD TENSION DIAL		
14	X80321021	NT LOWER THREAD CUTTER	H		29	XC9234021	TENSION DIAL SHAFT		
15	X57908021	TAPTITE, BIND S M4X10			30	X56839021	NOTCHED SPRING		1000043008
					31	062300416	SCREW PAN M3X4		
					32	XC6957121	THREAD TAKE UP SPRING	H	
					33	XD0377151	THREAD CATCHING SPRING CASE FE	H	
					34	XE5731001	THREAD CUTTING SHUTTER	H	
					35	0A4301806	SCREW, PAN (S/P WASHE) M3X18		
					36	XE3021001	THREAD SENSOR HOLDER		
					37	XE3022001	UPTHREAD PCB ASSY CCOM		
					38	XD0383050	THREAD GUIDE WIRE FE	H	
					39	XA9996051	WASHER, PLAIN		
					40	XC7564021	SCREW, PAN (S/P WASHER) M3X6		
					41	XE3025001	PLATE ASSEMBLY		
					42	060300416	SCREW BIND M3X4		
					43	XE3028001	THREAD GUARD HOLDER S		
					44	060300416	SCREW BIND M3X4		
					45	XE1519101	BOBBIN WINDER GUIDE ASSY		
					46	XC3037021	SCREW3X10		
					47	XE3029001	THREAD GUARD COVER	H	
					48	XE1489001	STUD SCREW M4		

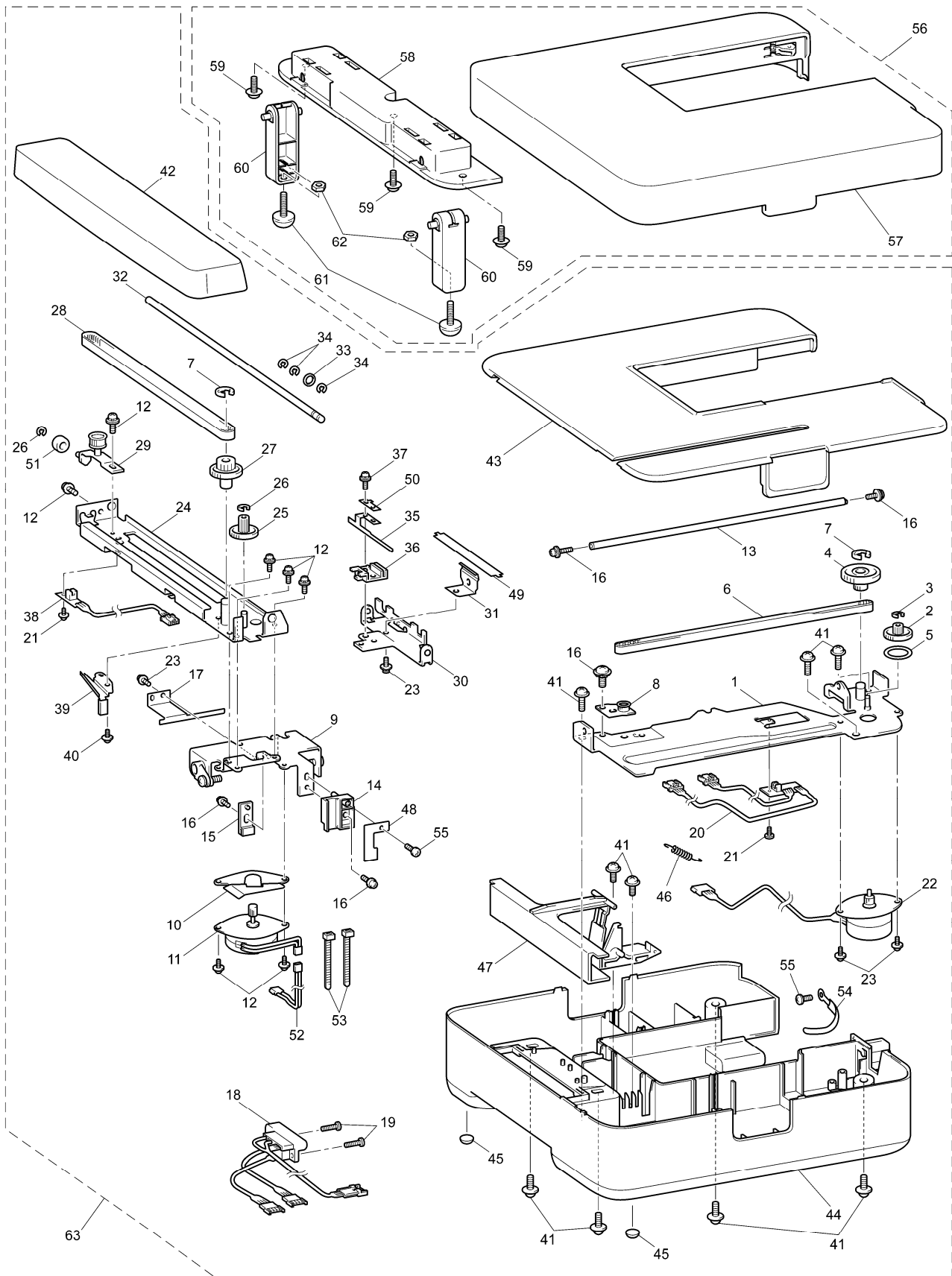
(6) ELECTRIC PARTS / MAIN MOTOR UNIT



(6) ELECTRIC PARTS / MAIN MOTOR UNIT

No.	CODE	NAME	R/H	REMARKS	No.	CODE	NAME	R/H	REMARKS
ELECTRIC PARTS					MAIN MOTOR UNIT				
1	XE4280301	MAIN PCB SUPPLY ASSY-D	R	1000054748	26	XE3180101	MAIN MOTOR SUB ASSY:CCOM V (USA, CAN, BRA120V)	H	1000037327
2	XE3032001	LCD SUPPORTER				XE9044101	MAIN MOTOR SUB ASSY:CCOM-2 (CHL, BRA220V)	H	1000037327
3	XE3033001	LIGHT PLATE ASSY							
4	XC2435020	ZIGZAG ADJUSTING NUT			27	XC3803120	MOTOR FAN	H	1000033777
5	018301232	BOLT SOCKET M3X12			28	XE3046001	MOTOR HOLDER		
6	XD0830151	LCD SUPPLY ASSY (~D1G*****)	R	1000028578	29	0A5300806	SCREW PAN (S/P WASHER) M3X8		
	XF2349001	LCD SUPPLY ASSY (E1G*****)	R	1000028578	30	XA8474021	UPSET 4X12 DB		
7	XE3901001	TOUCH PANEL ASSY	R		31	XC2685051	T BELT494-2GT-6	H	
8	XE3653001	FC JACK SUPPLY ASSY: CCOM			32	XC8816071	FOOT CONTROLLER: FC-322-81-LF		1000035004
9	XE7829001	NUT N		1000026582					
10	XE3183001	INLET ASSY: CCOM UL (120V)	R						
	XE4205001	INLET ASSY: CCOM EU (230V)	R						
	XE3267001	INLET ASSY:CCOM (BRA120V)	R						
11	XE3654001	POWER PCB SUPPLY ASSY 120: CCOM (120V)	R						
	XE4293001	POWER PCB SUPPLY ASSY 230: CCOM (230V)	R						
12	XE3039101	INSULATION COVER							
13	XE3040101	INSULATION PLATE							
14	XE3041001	POWER LEAD WIRE ASSY: CCOM							
15	085311016	TAPTITE BIND B M3X10		1000024772					
16	XE3042001	CARD CONNECT COVER							
17	060400516	SCREW BIND M4X5							
18	XA0286051	WIRE CLIP		1000042697					
19	XE3043001	CORD GUIDE							
20	XE3044001	CORD GUIDE A							
21	060400816	SCREW BIND M4X8							
22	XE3318001	INSULATE SHEET CCOM BACK							
23	XE3045001	SUPPORTER MAIN PWB							
24	X53169020	BAND							
25	XC6052021	POWER SUPPLY CORD: UL CSA-LF (USA, CAN)	H						
	XF0749101	POWER SUPPLY CORD: BRZ (BRA120V)	H	1000029467					
	XE4301101	POWER SUPPLY CORD: BRZ 220V (BRA220V)	H	1000029467					
	XA0070121	POWER SUPPLY CORD (OTHER)	H						

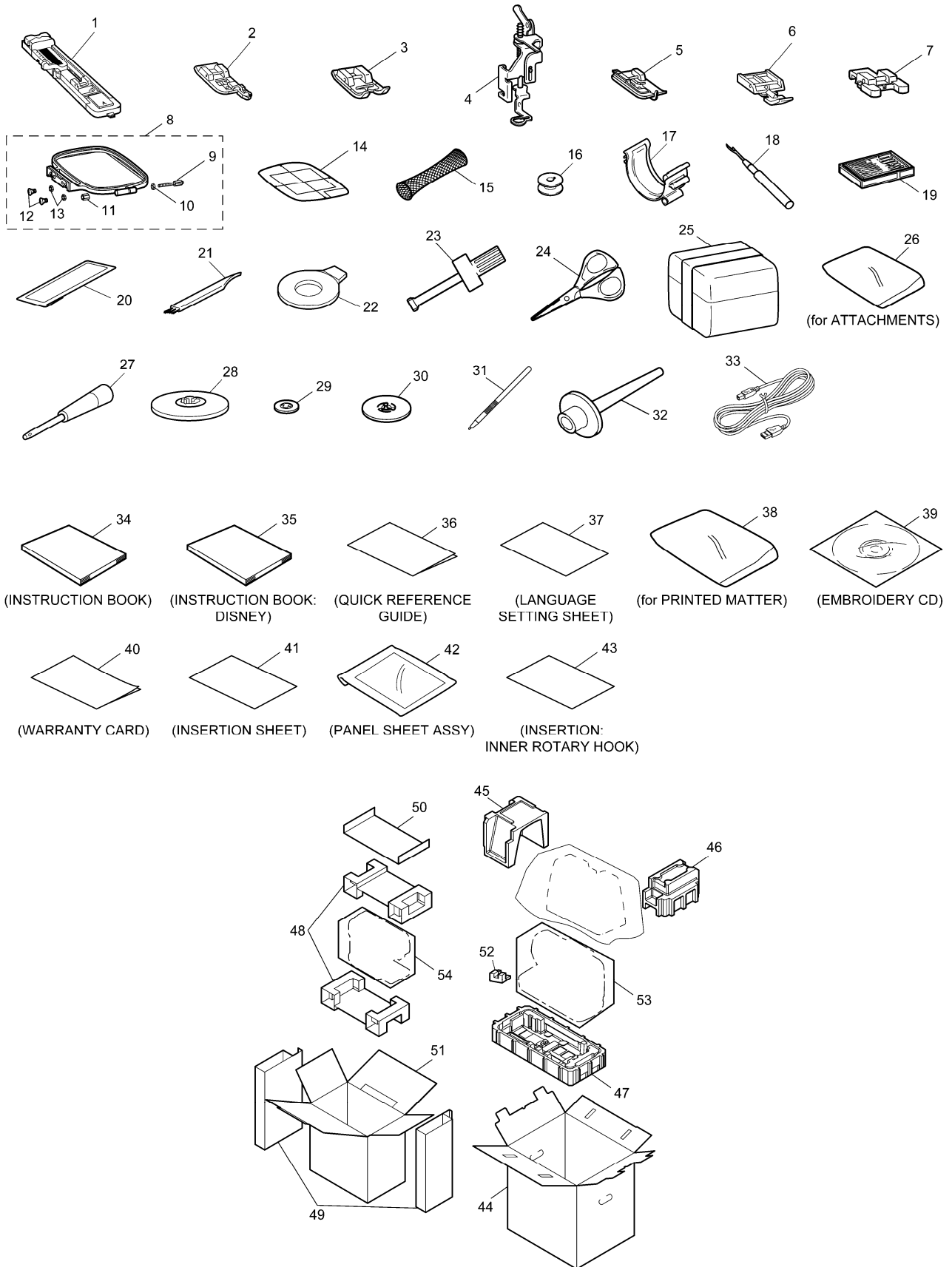
(7) EMBROIDERY UNIT



(7) EMBROIDERY UNIT

No.	CODE	NAME	R/H	REMARKS	No.	CODE	NAME	R/H	REMARKS
1	XC3807021	MAIN FRAME ASSEMBLY			45	X59853020	RUBBER CUSHION		
2	XC4153020	X GEAR			46	XA1899021	SPRING		
3	048030343	RETAINING RING E3		1000038911	47	XC3824121	HANDLE		
4	XC4154020	X DRIVING GEAR			48	XA5352020	CORD PRESSER		
5	X53330020	WASHER			49	XA6281020	Y PRESSER PLATE		
6	X58715021	T BELT 40S2M400	H		50	XA6334020	SHUTTER PRESSER PLATE		
7	048060343	RETAINING RING E6		1000038911	51	XA6152021	ROLLER ASSY		
8	XA5308021	X TENSION PULLEY ASSY			52	XC5001021	LEAD WIRE ASSY, YPM		
9	XC3809021	X CARRIAGE GUIDE PLATE ASSY			53	X53169020	BAND		
10	XA5314020	CORD GUIDE			54	X52318021	COACHING CLIP CS-2		
11	XC3811021	MOTOR, PULSE: Y SMJ35-4823-C			55	085310815	TAPTITE BIND P M3X8		
12	XC7564021	SCREW, PAN (S/P WASHER) M3X6			56	XE3053002	ES TOP COVER ASSY		
13	XA5316021	X GUIDE SHAFT			57	XE3375002	ES TOP COVER		
14	XA5317120	X SLIDER			58	XE3058001	ES FOOT COVER		
15	XA5318120	X BELT PRESSER			59	087411416	TAPTITE CUP B M4X14		
16	0A4400806	SCREW PAN (S/P WASHER) M4X8			60	XE3059001	ES FOOT		
17	XC5350020	X SHUTTER			61	XD1223021	ADJUSTING FOOT		
18	XE3182001	LEAD WIRE ASSY: EMB UNIT			62	021400206	NUT 2 M4		
19	085301616	TAPTITE BIND P M3X16							
20	XE3176001	XSENS PCB ASSY: CCOM			63	XE7511001	EMBROIDERY SUPPLY ASSY		
21	000020416	SCREW BIND M2X4							
22	XC3815021	MOTOR, PULSE: X SMJ40-4888-A							
23	0A4300506	SCREW, PAN (S/P WASHER) M3X5							
24	XA5324221	X CARRIAGE ASSY							
25	XC4155020	Y GEAR							
26	048020343	RETAINING RING E2		1000038911					
27	XC4156120	Y DRIVING GEAR							
28	XA5330021	T BELT 40S2M316	H						
29	XA6151021	Y TENSION PULLEY ASSY							
30	XA5338121	Y CARRIAGE							
31	XC5287121	NOTCHED SPRING							
32	XA5340121	Y GUIDE SHAFT							
33	103810022	WASHER, WAVE SPRING							
34	048040343	RETAINING RING E4		1000038911					
35	XA5341120	Y SHUTTER							
36	XA5342120	Y SLIDER							
37	XA8390021	SCREW							
38	XE3178001	YSENS PCB ASSY: CCOM							
39	XA5346020	CORD HOLDER							
40	060300416	SCREW BIND M3X4							
41	087411416	TAPTITE CUP B M4X14							
42	XC2133025	CARRIAGE COVER	R						
43	XE3398001	ES COVER U	R						
44	XE3052001	ES COVER D	R						

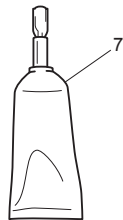
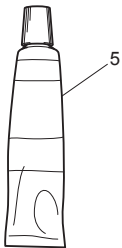
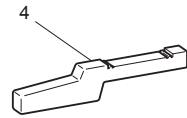
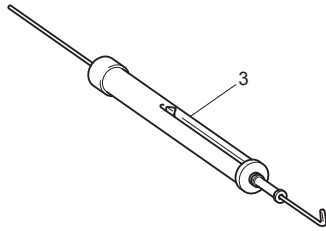
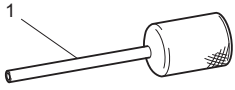
(8) ACCESSORY PARTS / USER MANUAL / PACKAGE



(8) ACCESSORY PARTS / USER MANUAL / PACKAGE

No.	CODE	NAME	R/H	REMARKS	No.	CODE	NAME	R/H	REMARKS
ACCESSORY PARTS					USER MANUAL				
1	XC2691023	BH PRESSER FOOT ASSY			34	XE3848101	INSTRUCTION BOOK ENG (English)	R	
2	XC3098031	OVERCASTING STITCH FOOT ASSY		1000040722		XE4299001	INSTRUCTION BOOK FRE (French)	R	
3	XD0810031	TRANSPARENCY PRESSER FOOT				XE4460001	INSTRUCTION BOOK SPA (Spanish)	R	
4	XD0474151	EMBROIDERY PRESSER ASSEMBLY				XE5835001	INSTRUCTION BOOK BR (Portuguese)	R	
5	XE2650001	BLIND STITCH FOOT ASSY		1000036866	35	XE3850001	INSTRUCTION BOOK:DISNEY V37		
6	X59370021	ZIPPER FOOT			36	XE3849001	QUICK REFERENCE GUIDE ENG	R	
7	XE2137001	BUTTON SEWING FOOT			37	XE4199001	LANGUAGE SETTING SHEET		
8	XA5353102	ENBROIDERY FRAME S2M			38	130800021	BAG 230X310H		
9	XE4590001	THUMB SCREW			39	XE3851001	EMBROIDERY CD		
10	X59422001	WASHER			40	XC8946021	WARRANTY CARD C (USA)		
11	XA6982001	NUT				XE4547001	WARRANTY CARD BR HEM (BRA)		
12	061300606	SCREW FLAT M3X6			41	XE3863001	INSERTION SHEET V37		
13	021300106	NUT 1 M3			42	XE3577001	PANEL SHEET ASSY		
14	XA5590121	EMBROIDERY SHEET S2M ASSY			43	XE8340001	INSERTION (for INNER ROTARY HOOK & INNER ROTARY HOOK BRACKET: USA, CAN)		
15	XA5523020	NET				XE8341001	INSERTION (for INNER ROTARY HOOK & INNER ROTARY HOOK BRACKET: EXCEPT USA, CAN)		
16	X52800120	BOBBIN			PACKAGE				
17	XE3060001	BOBBIN CLIP			44	XE3852001	CARTON DISNEY	R	1000029155
18	XZ5082001	SEAM RIPPER			45	XE3152101	POLYSYRENE FOAM PAD TOP L	R	1000031437
19	X58358021	Z NEEDLE ASSY			46	XE3153101	POLYSYRENE FOAM PAD TOP R	R	1000031437
20	X59296121	TWIN NEEDLE (1PC)			47	XE3158101	POLYSYRENE FOAM PAD BOTTOM	R	1000031437
21	X59476021	CLEANING BRUSH			48	XE3159001	ES PAD D	R	
22	XC1074051	DISC-SHAPED SCREWDRIVER			49	XE3161001	SIDE PAD D	R	
23	XC4237021	DRIVER ASSY			50	XE3162001	TOP PAD D	R	
24	XC1807121	SCISSORS			51	XE3163001	ES CARTON	R	
25	XE3062003	POUCH ASSY			52	XF2315101	THREADER SUPPORT SF	R	1000031437
26	X57367021	BAG 135X150			53	X60439121	BAG 630X630T		
27	XZ5051001	PUNCH			54	X60679021	BAG, 450X400H		
28	130012024	SPOOL PRESSER A							
29	130013124	SPOOL PRESSER B							
30	XE1372001	SPOOL PRESSER C							
31	XE3069001	TOUCH PEN							
32	XE2241001	EXTRA SPOOL PIN							
33	XD0745051	USB I/F CORE CABLE							

SPARE PARTS



SPARE PARTS

No.	CODE	NAME	R/H	REMARKS
DRIVER				
1	XE2395001	BOX SCREW DRIVER 6		
GAUGE				
2	XA9152001	TENSION GAUGE 10		
	XA9153001	TENSION GAUGE 30		
	XA9154001	TENSION GAUGE 50		
	XC2276001	TENSION GAUGE 100		
3	XC2277001	PUSH PULL GAUGE		
4	XC2278001	FEED GAUGE		
GREASE, OIL				
5	XC8385001	MOLYKOTE EM30L		
6	XC8387001	EPNOC AP (N) 0		
7	XC8386001	MOLYKOTE M DISPERSION * (EXCEPT USA)		
8	XC8388001	FBK OIL RO 100		
9	XZ0206051	OILER		

* USA must purchase in the US. (It's not listed on the TSCA).

brother