



**Home Sewing Machine  
PARTS REFERENCE LIST**

**OPTIONAL ACCESSORIES**

**PR1000e/PR-1000**

**PR655/PR655C**

**PR650e/PR650eC**

**PR-650/PR-650C**

**PR-620/PR620C**

**PR-600II/PR-600IIC**

**PR-600/PR-600C**

**CONFIDENTIAL**

Copyright © 2010 Brother Industries, Ltd.  
All rights reserved.

Published: Jul.,2010  
Revised: Dec.,2016



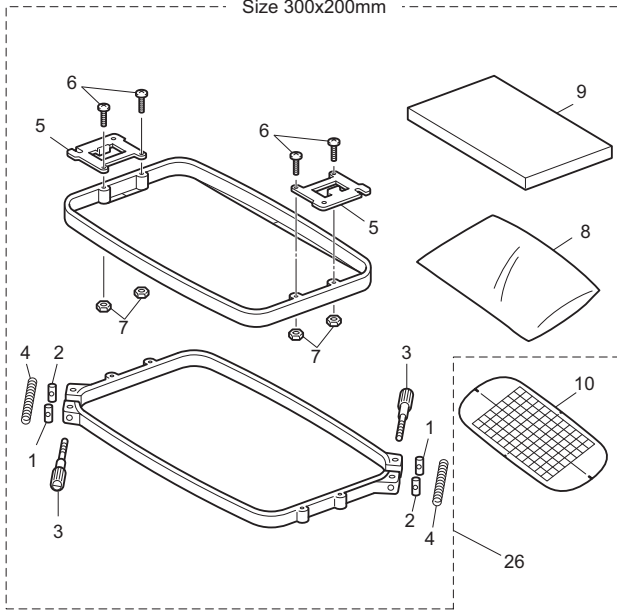


# CONTENTS

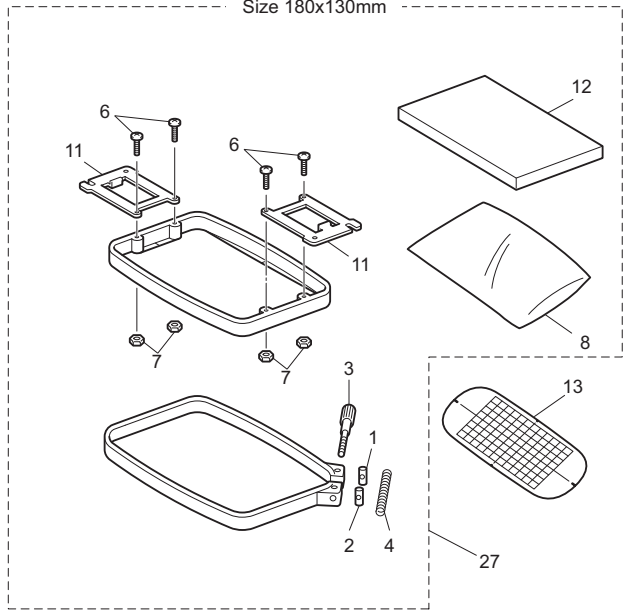
<b>EMBROIDERY FRAMES (SQUARE) .....</b>	<b>2</b>
<b>EMBROIDERY FRAMES (ROUND) .....</b>	<b>6</b>
<b>EMBROIDERY FRAME HOLDER for EMBROIDERY FRAMES (ROUND).....</b>	<b>8</b>
<b>CAP FRAMES.....</b>	<b>10</b>
<b>CYLINDER FRAME .....</b>	<b>16</b>
<b>BORDER FRAME .....</b>	<b>18</b>
<b>CLAMP FRAMES .....</b>	<b>20</b>
<b>BOBBIN WINDER SET.....</b>	<b>22</b>
<b>CUT WORK SET.....</b>	<b>24</b>
<b>EMBROIDERY TABLE / DEDICATED STAND .....</b>	<b>26</b>

# EMBROIDERY FRAMES (SQUARE)

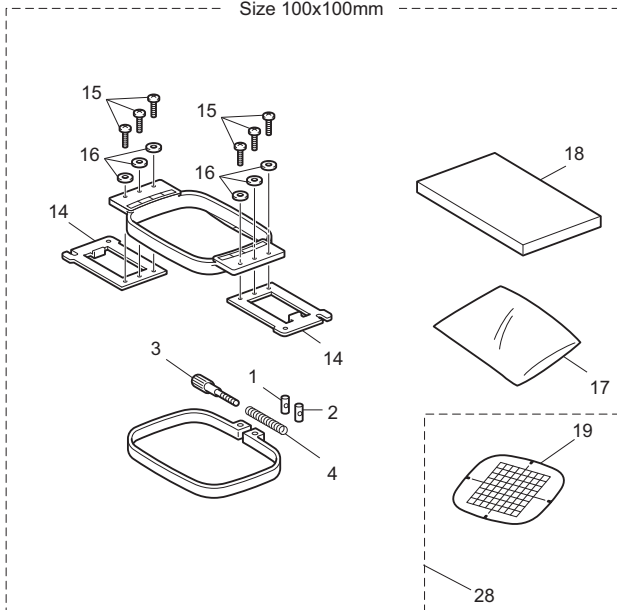
Size 300x200mm



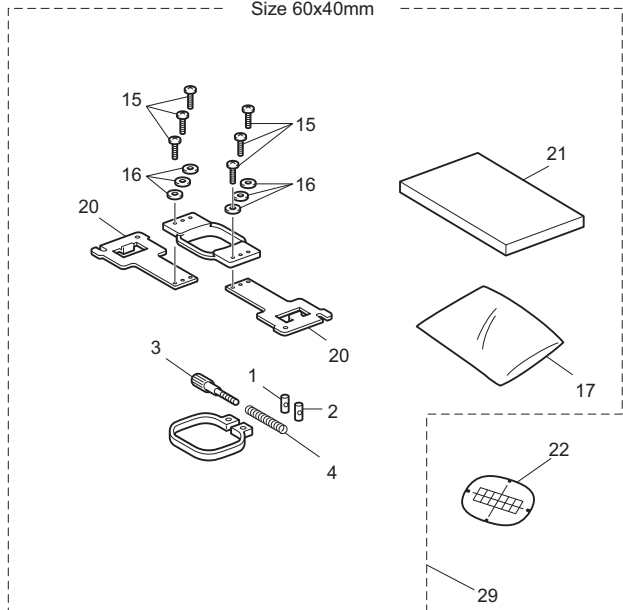
Size 180x130mm



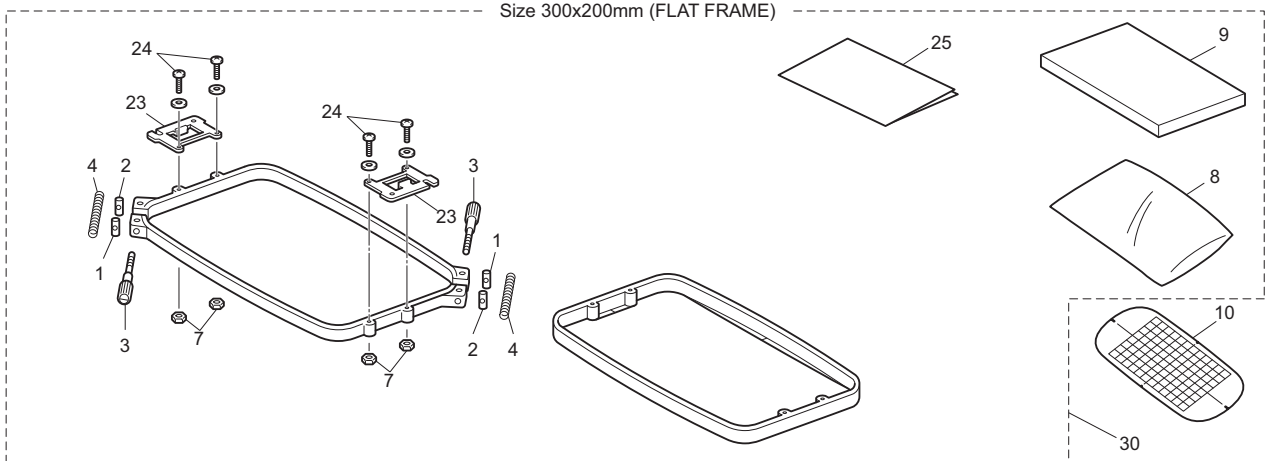
Size 100x100mm



Size 60x40mm



Size 300x200mm (FLAT FRAME)

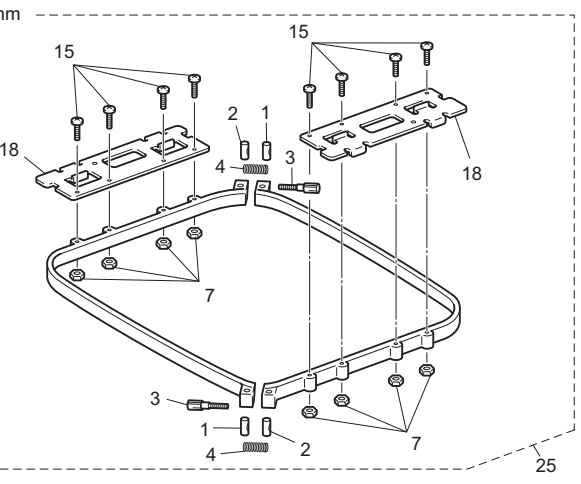
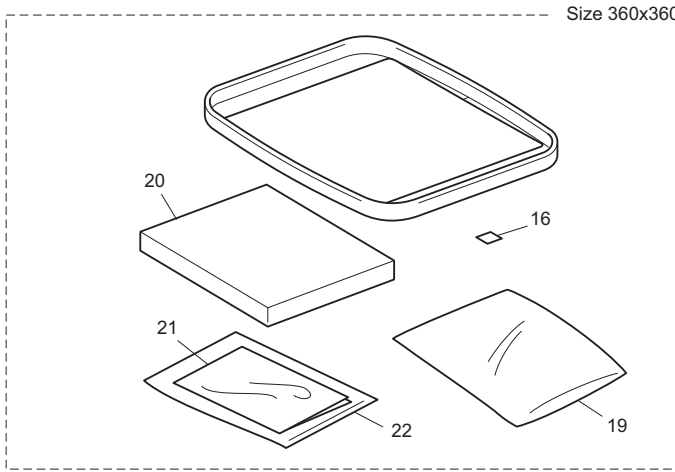
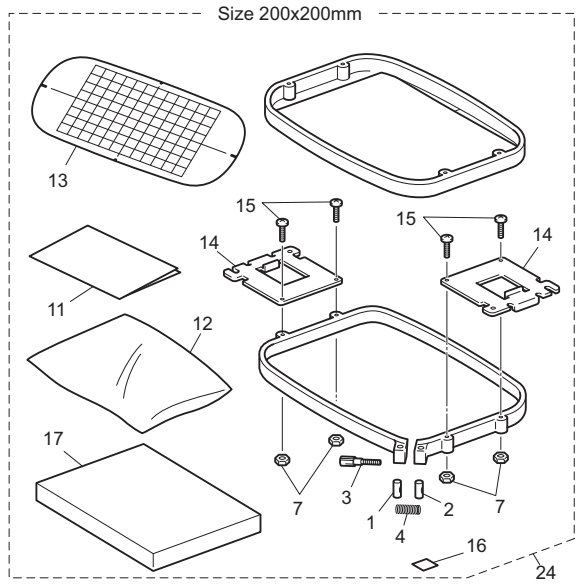
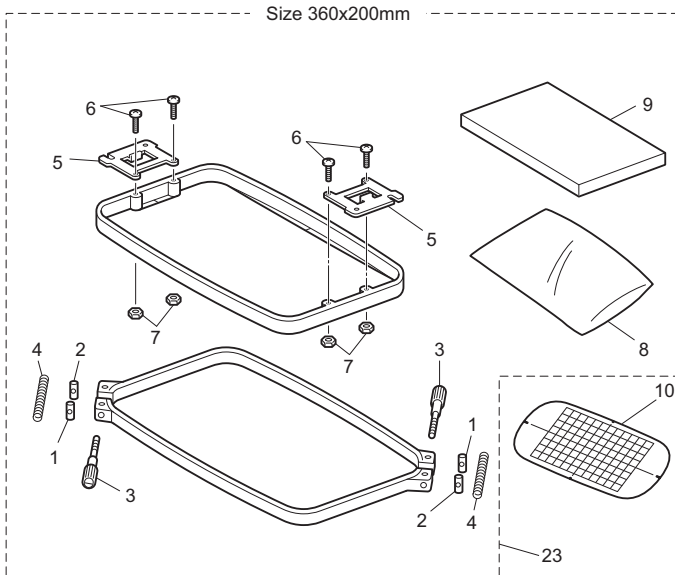


## EMBROIDERY FRAMES (SQUARE)

No.	CODE	NAME	REMARKS
EMBROIDERY FRAMES (SQUARE)			
1	S32798001	COLLAR	
2	S32799001	NUT, M4	
3	XC5957051	SCREW, M4	
4	S36043000	SPRING, COMPRESSION 5.3X47.7	
5	XC5958051	HOLDER 30X20	
6	062401416	SCREW, PAN M4X14	
7	021400206	NUT, 2 M4	
8	X60224051	BAG 350X700H	
9	XC7166151	CARTON	
10	XC5704051	EMBROIDERY SHEET 30X20 ASSY	
11	XC5963051	HOLDER 18X13	
12	XC7167051	CARTON	
13	XC5721051	EMBROIDERY SHEET 18X13 ASSY	
14	XC5968051	HOLDER 10X10	
15	060300516	SCREW, BIND M3X5	
16	025030236	WASHER, PLAIN M 3	
17	XZ0197051	BAG 180X470	
18	XC7168051	CARTON	
19	XC5759051	EMBROIDERY SHEET 10X10 ASSY	
20	XC5973051	HOLDER 06X04	
21	XC7169051	CARTON	
22	XC5761051	EMBROIDERY SHEET 06X04 ASSY	
23	XE2090001	HOLDER 30X20	
24	062401216	SCREW, PAN M4X12	
25	XE2280001	SQUARE FRAME INSERTION	
26	ACC	PRH300/T01 EMBROIDERY FRAME 30X20	
27	ACC	PRH180/T01 EMBROIDERY FRAME 18X13	
28	ACC	PRH100/T01 EMBROIDERY FRAME 10X10	
29	ACC	PRH60/T01 EMBROIDERY FRAME 06X04	
30	ACC	PRF300/T03 EMBROIDERY FRAME 30X20	

# EMBROIDERY FRAMES (SQUARE)

\*For PR1000e/PR-1000



## EMBROIDERY FRAMES (SQUARE)

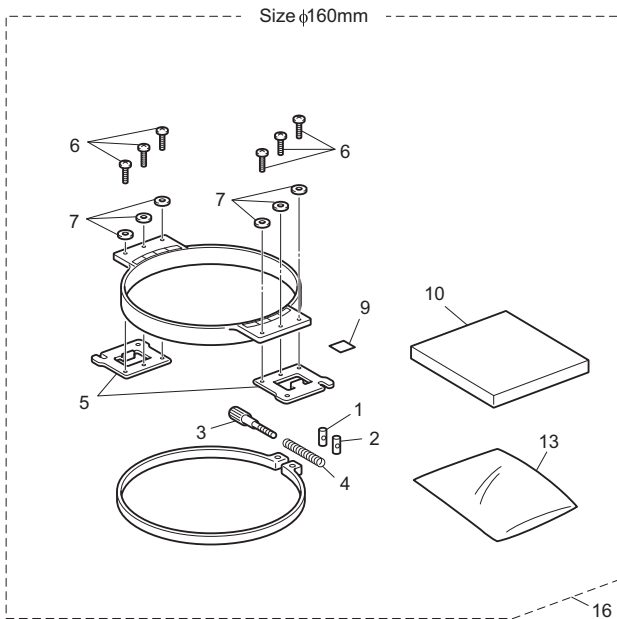
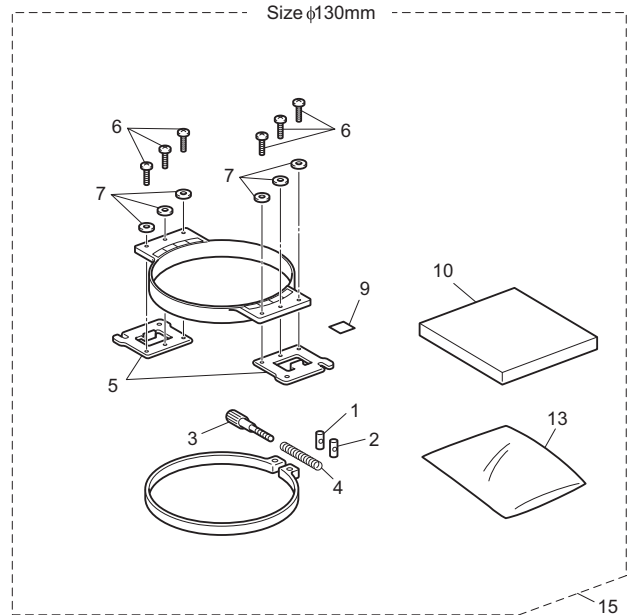
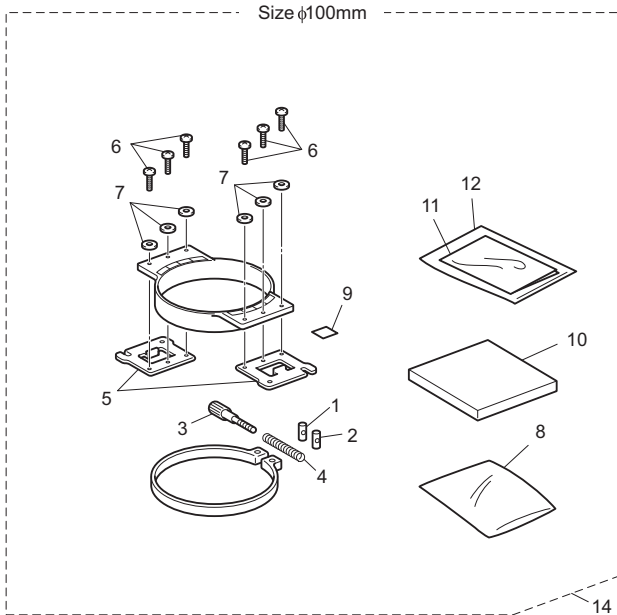
No.	CODE	NAME	REMARKS
EMBROIDERY FRAMES (SQUARE)			
1	S32798001	COLLAR	
2	S32799001	NUT, M4	
3	XC5957051	SCREW, M4	
4	S36043000	SPRING, COMPRESSION 5.3X47.7	
5	XC5958051	HOLDER 30X20	
6	062401416	SCREW PAN M4X14	
7	021400206	NUT 2 M4	
8	X60224051	BAG 350X700H	
9	XE7441001	CARTON	
10	XE7158001	EMBROIDERY SHEET 36X20 ASSY	
11	XE8476001	SQUARE FRAME INSERTION	
12	130800051	BAG 230X310H	
13	XE7171001	EMBROIDERY SHEET 20X20 ASSY	
14	XE7173001	HOLDER 20X20	
15	062401216	SCREW PAN M4X12	
16	XE7415001	SEAL B	
17	XC7166151	CARTON	
18	XE7187001	HOLDER 36X36	
19	X60439151	BAG 630X630T	
20	XE7440001	CARTON	
21	XE8478001	SQUARE FRAME 36 INSERTION	
22	130800051	BAG 230X310H	
23	ACC	PRH360/T10 EMBROIDERY FRAME 36X20	
24	ACC	PRPQF200/T10 EMBROIDERY FRAME 20X20	
25	ACC	PRPJF360/T10 EMBROIDERY FRAME 36X36	

\*For PR1000e/PR-1000



# EMBROIDERY FRAMES (ROUND)

\*For PR1000e/PR-1000



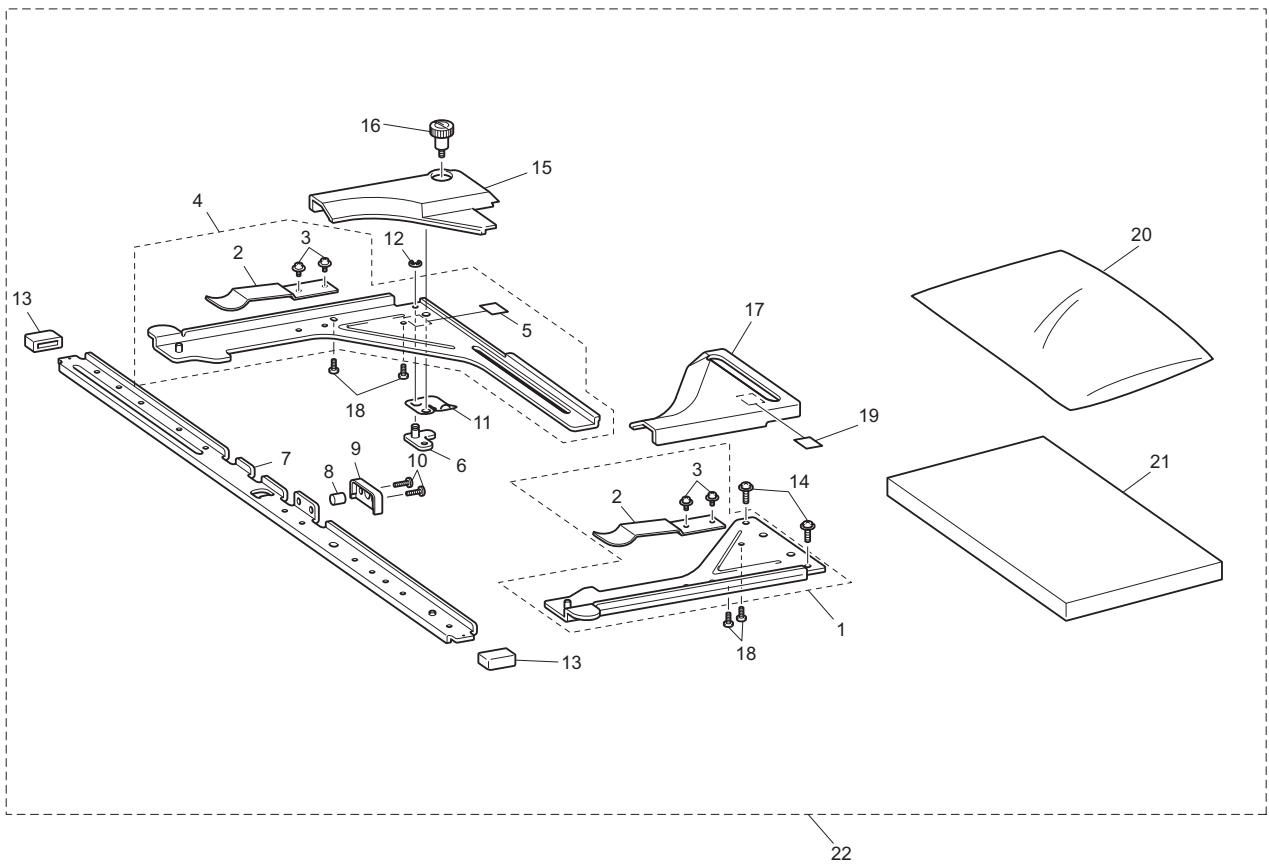
## EMBROIDERY FRAMES (ROUND)

No.	CODE	NAME	REMARKS
EMBROIDERY FRAMES (ROUND)			
1	S32798001	COLLAR	
2	S32799001	NUT, M4	
3	XC5957051	SCREW, M4	
4	S36043000	SPRING, COMPRESSION 5.3X47.7	
5	XE7119001	HOLDER	
6	060300516	SCREW BIND M3X5	
7	025030236	WASHER PLAIN M 3	
8	XZ0197051	BAG 180X470	
9	XE7416001	SEAL C	
10	XE7442001	CARTON	
11	XE8492001	INSERTION	
12	130800051	BAG 230X310H	
13	XE2641001	BAG 280X470H	
14	ACC	PRPRF100/T10 ROUND FRAME	
15	ACC	PRPRF130/T10 ROUND FRAME	
16	ACC	PRPRF160/T10 ROUND FRAME	

\*For PR1000e/PR-1000

# EMBROIDERY FRAME HOLDER for EMBROIDERY FRAMES (ROUND)

\*For PR1000e/PR-1000



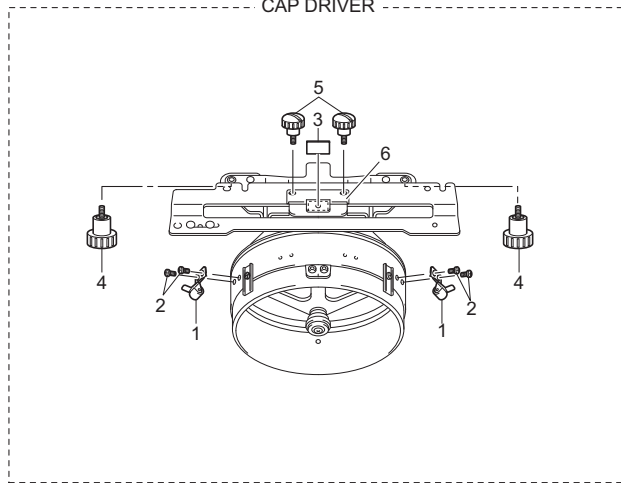
# EMBROIDERY FRAME HOLDER for EMBROIDERY FRAMES (ROUND)

\*For PR1000e/PR-1000

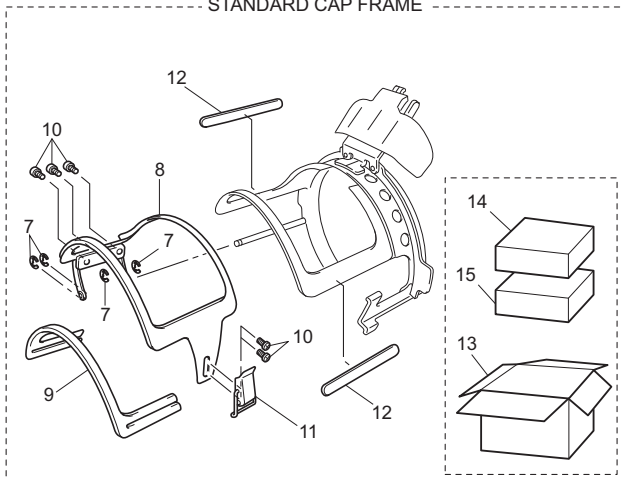
No.	CODE	NAME	REMARKS
EMBROIDERY FRAME HOLDER C (for PR-1000e/PR-1000)			
1	XE7400001	TUBULAR ROUND ARM RA ASSY	
2	XC7076151	SPRING,PLATE	
3	XC7644051	SCREW, PAM (S/P WASHER) M3X5	
4	XE7149001	TUBLAR ROUND ARM LC ASSY	
5	XE7375001	SEAL	
6	XE7140001	GUIDE PLATE ASSY	
7	XE7152001	HOOP STAY C	
8	XE2270001	MAGNET	
9	XE2271001	MAGNET HOLDER	
10	060300613	SCREW BIND M3X6	
11	XE7143001	SPRING PLATE	
12	048030346	RETAINING RING E3	
13	XC5816051	RUBBER	
14	0A5400806	SCREW PAN (S/P WASHER) M4X8	
15	XE7146003	TUBULAR ARM COVER L2	
16	XC5553051	THUMB BOLT M4 L	
17	XE7174003	TUBULAR ARM COVER R2	
18	136681051	TAPTITE, BIND B M3X8	
19	XE7416001	SEAL C	
20	XE2641001	BAG 280X470H	
21	XE7419001	CARTON	
22	ACC	PRPARMC/T10 TUBULAR ARM C	

# CAP FRAMES

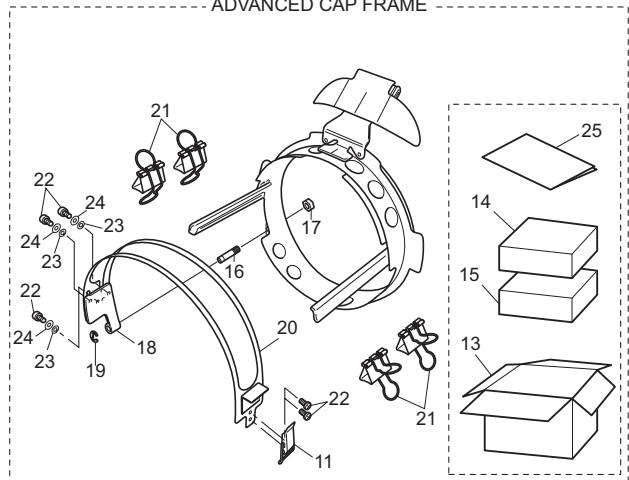
CAP DRIVER



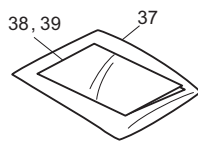
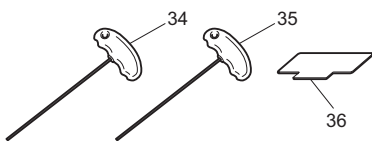
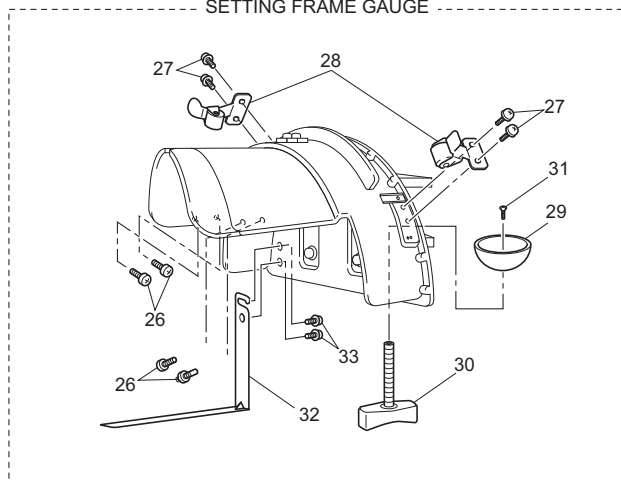
STANDARD CAP FRAME



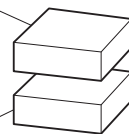
ADVANCED CAP FRAME



SETTING FRAME GAUGE



40 (PS FOAM PAD TOP for COMPLETE SET)



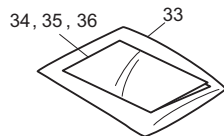
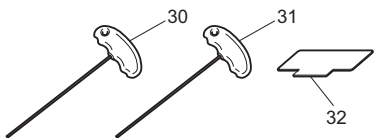
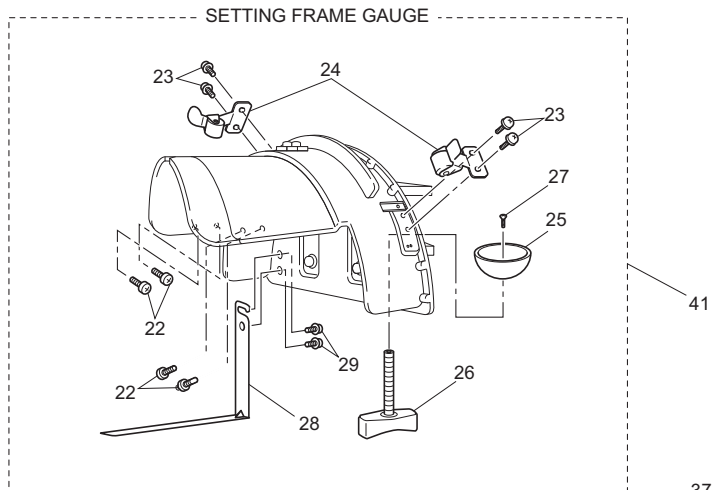
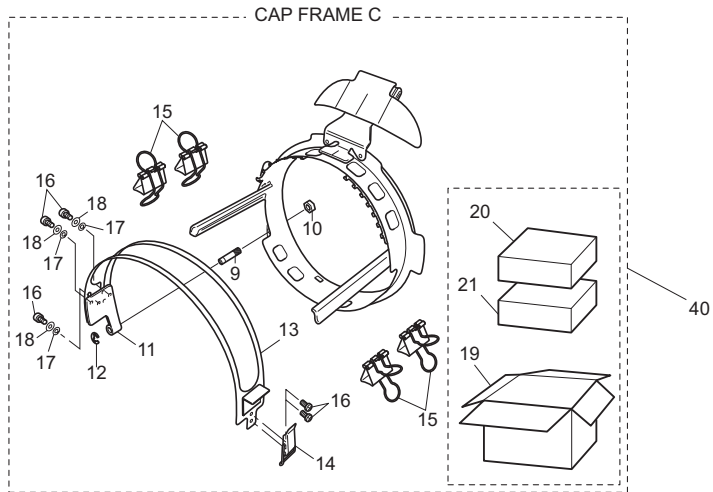
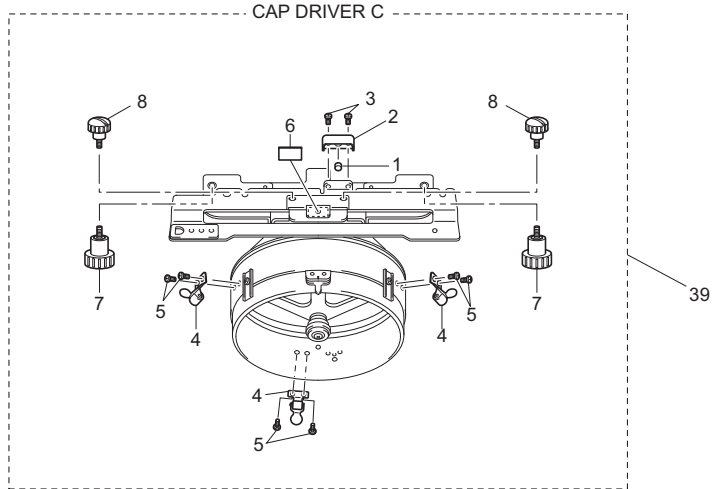
41 (PS FOAM PAD BOTTOM for COMPLETE SET)

# CAP FRAMES

No.	CODE	NAME	REMARKS	No.	CODE	NAME	REMARKS
CAP DRIVER				SETTING FRAME GAUGE			
1	XC7235051	ROLLER BASE B ASSY	1000022560	26	0A5400606	SCREW, PAN (S/P WASHER) M4X6	
2	0A5300606	SCREW, PAN (S/P WASHER) M3X6		27	0A5300806	SCREW, PAN (S/P WASHER) M3X8	
3	XC5550051	SHEET		28	XC7235051	ROLLER BASE B ASSY	
4	XC5553051	THUMB BOLT M4 L		29	XC5576051	WASHER	
5	XC5817051	SCREW, KNOB M4S		30	XC5577051	THUMB BOLT M6	
6	XC5574001	STOPPER	ADD	31	004261214	SCREW, FLAT (M2.6) X12	
STANDARD CAP FRAME				32	XC6227051	FRAME COVER STOPPER	
7	048050346	RETAINING RING, E5		33	062400613	SCREW, PAN M4X6	
8	XC5561051	FRAME COVER					
9	XC5562051	RUBBER		34	XC7148051	T-TYPE HEXAGONAL WRENCH, 3	
10	060300516	SCREW, BIND M3X5		35	XC7149051	T-TYPE HEXAGONAL WRENCH, 2.5	
11	S32897000	SNAP LOCK		36	XC7150051	SHEET	
12	XC6974051	HOLD TAPE		37	130800051	BAG 230X310H	
13	XC7163151	CARTON		38	XE2893001	INSERTION SHEET	
14	XC7164051	POLYSTYRENE FOAM PAD TOP		39	XE2272001	SETTING GAUGE INSERTION	
15	XC7165151	POLYSTYRENE FOAM PAD DOWN		40	XC7146150	POLYSTYRENE FOAM PAD TOP	
ADVANCED CAP FRAME				41	XC7147250	POLYSTYRENE FOAM PAD DOWN	
16	XC7485051	PIN					
17	021400203	NUT, 2 M4		42	XC5533051	CAP DRIVER ASSY	
18	XC7484051	HINGE		43	ACC	PRCFH1/T01 CAP FRAME ASSY	
19	048050343	RETAINING RING, E5		44	ACC	PRCFH2/T01 CAP FRAME ASSY	
20	XC7486051	FRAME COVER B		45	ACC	PRCFJ2/T01 CAP JIG ASSY	
21	S39460100	BINDER CLIP					
22	060300513	SCREW, BIND M3X5					
23	026030233	WASHER, PLAIN M 3					
24	028030243	WASHER, SPRING 2-3					
25	XC8943151	CAP FRAME USER'S GUIDE,ENG					

# CAP FRAMES

\*For PR1000e/PR-1000/PR655/PR650e/PR-650/PR-620



37 (PS FOAM PAD TOP for COMPLETE SET)



38 (PS FOAM PAD BOTTOM for COMPLETE SET)

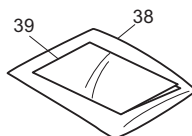
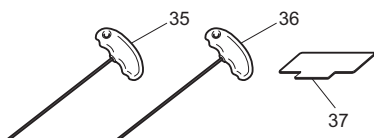
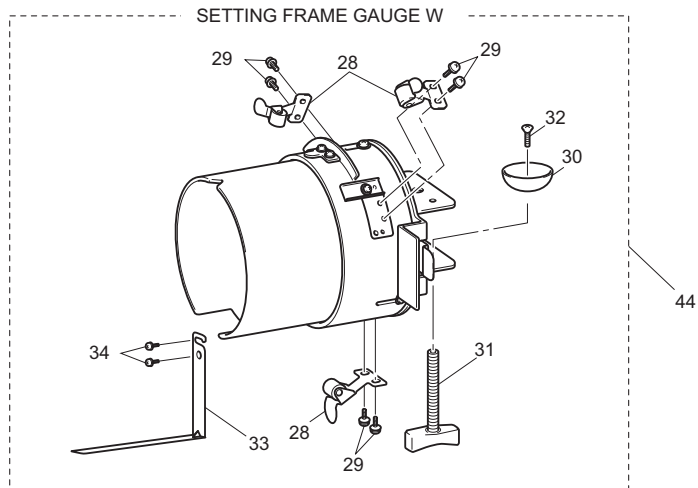
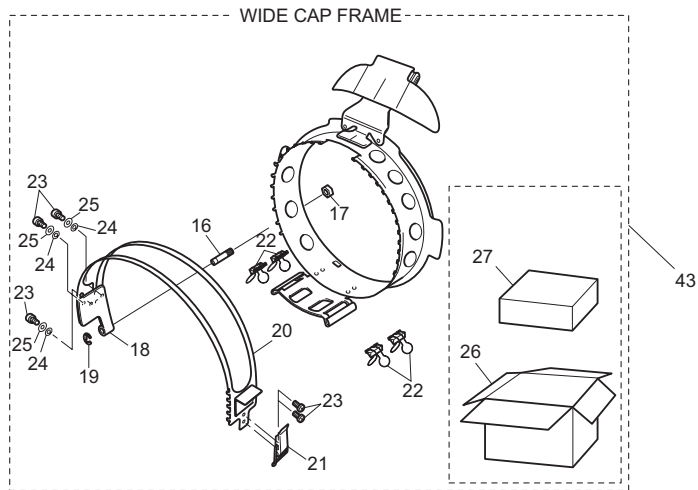
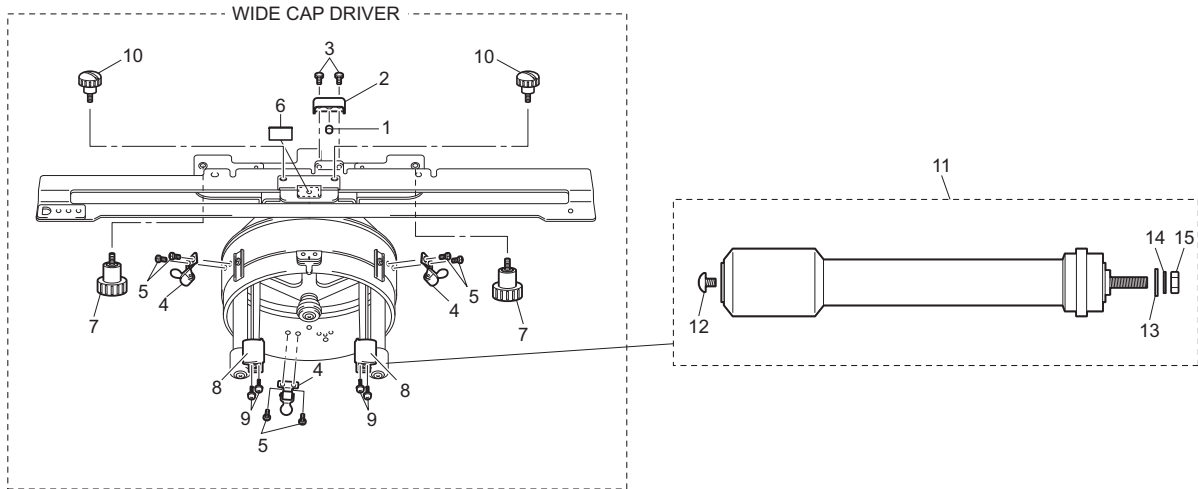
## CAP FRAMES

No.	CODE	NAME	REMARKS	No.	CODE	NAME	REMARKS
CAP DRIVER C				39	XE2268001	CAP DRIVER C ASSY	
1	XE2270001	MAGNET		40	ACC	PRCFH3/TO3 CAP FRAME C ASSY	
2	XE2271001	MAGNET HOLDER		41	ACC	PRCFJ2/T01 CAP JIG ASSY	
3	060300613	SCREW BIND M3X6					
4	XC7235051	ROLLER BASE B ASSY	1000022560	<b>*For PR1000e/PR-1000/PR655/PR650e/PR-650/PR-620</b>			
5	0A5300606	SCREW, PAN (S/P WASHER) M3X6					
6	XC5550051	SHEET					
7	XC5553051	THUMB BOLT M4 L					
8	XC5817051	SCREW, KNOB M4S					
CAP FRAME C							
9	XC7485051	PIN					
10	021400203	NUT, 2 M4					
11	XC7484051	HINGE					
12	048050343	RETAINING RING, E5					
13	XC7486051	FRAME COVER B					
14	S32897000	SNAP LOCK					
15	S39460100	BINDER CLIP					
16	060300513	SCREW, BIND M3X5					
17	026030233	WASHER, PLAIN M 3					
18	028030243	WASHER, SPRING 2-3					
19	XC7163151	CARTON					
20	XC7164051	POLYSTYRENE FOAM PAD TOP					
21	XC7165151	POLYSTYRENE FOAM PAD DOWN					
SETTING FRAME GAUGE							
22	0A5400606	SCREW, PAN (S/P WASHER) M4X6					
23	0A5300806	SCREW, PAN (S/P WASHER) M3X8					
24	XC7235051	ROLLER BASE B ASSY					
25	XC5576051	WASHER					
26	XC5577051	THUMB BOLT M6					
27	004261214	SCREW, FLAT (M2.6) X12					
28	XC6227051	FRAME COVER STOPPER					
29	062400613	SCREW, PAN M4X6					
30	XC7148051	T-TYPE HEXAGONAL WRENCH, 3					
31	XC7149051	T-TYPE HEXAGONAL WRENCH, 2.5					
32	XC7150051	SHEET					
33	130800051	BAG 230X310H					
34	XE2893001	INSERTION SHEET					
35	XE2272001	SETTING GAUGE INSERTION					
36	XC8943151	CAP FRAME USER'S GUIDE,ENG					
	XC8944051	CAP FRAME USER'S GUIDE,GER					
	XE2894101	CAP FRAME USER'S GUIDE GER4 (German, Italian, Dutch, Russian)					
37	XC7146150	POLYSTYRENE FOAM PAD TOP					
38	XC7147250	POLYSTYRENE FOAM PAD DOWN					

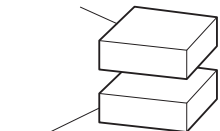


# CAP FRAMES

\*For PR1000e/PR-1000



40 (PS FOAM PAD TOP for COMPLETE SET)



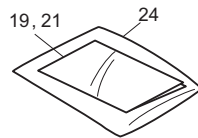
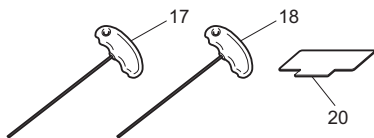
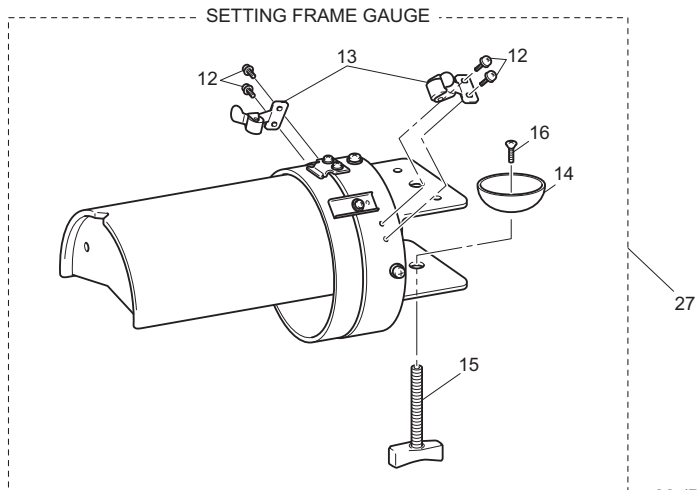
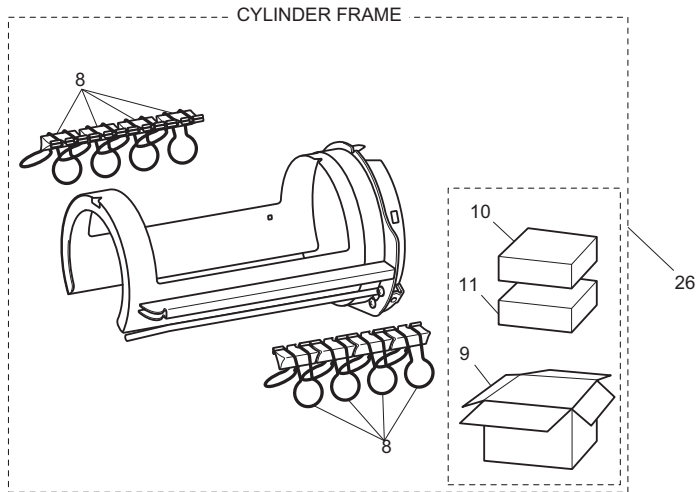
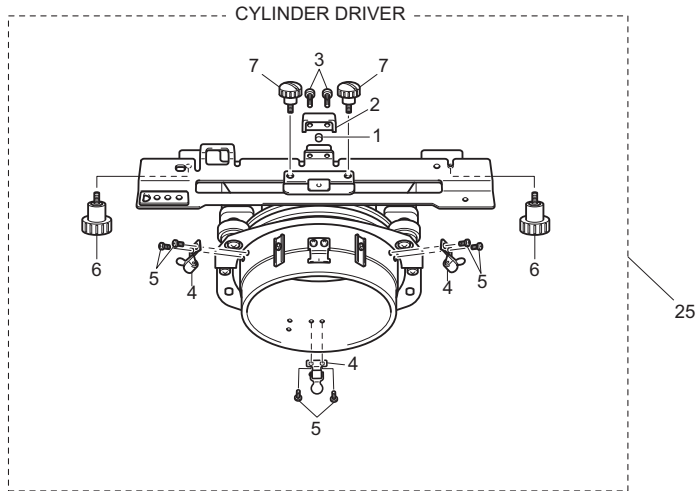
41 (PS FOAM PAD BOTTOM for COMPLETE SET)

## CAP FRAMES

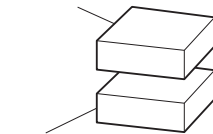
No.	CODE	NAME	REMARKS	No.	CODE	NAME	REMARKS	
WIDE CAP DRIVER								
1	XE2270001	MAGNET		35	XC7148051	T-TYPE HEXAGONAL WRENCH, 3		
2	XE2271001	MAGNET HOLDER		36	XC7149051	T-TYPE HEXAGONAL WRENCH, 2.5		
3	060300613	SCREW BIND M3X6		37	XC7150051	SHEET		
4	XC7235051	ROLLER BASE B ASSY		38	130800051	BAG 230X310H		
5	0A5300606	SCREW PAN (S/P WASHER) M3X6		39	XE8479001	W CAP FRAME INSERTION		
6	XC5550051	SHEET		40	XE7411101	POLYSTYRENE FOAM PAD TOP	1000050349	
7	XC5553051	THUMB BOLT M4 L		41	XE7412101	POLYSTYRENE FOAM PAD BOTTOM	1000050349	
8	XE7343001	CAP SUPPORT						
9	0A5400806	SCREW PAN (S/P WASHER) M4X8		42	XF6607001	CAP DRIVER W SUPPLY ASSY		
10	XC5817051	SCREW, KNOB M4S		43	ACC	PRPCFH4/T10 W CAP FRAME ASSY		
11	XG1355001	ROLLER L SUPPLY ASSY	1000050815	44	XE7204001	SETTING FRAME GAUGE W ASSY		
12	008400603	SCREW TRUSS M4X6	1000050815					
13	025050233	WASHER, PLAIN M 5	1000050815	<b>*For PR1000e/PR-1000</b>				
14	028050243	WASHER, SPRING 2-5	1000050815					
15	021500203	NUT, 2 M5	1000050815					
WIDE CAP FRAME								
16	XC7485051	PIN						
17	021400203	NUT, 2 M4						
18	XE7352001	HINGE						
19	048050343	RETAINING RING E5						
20	S55837000	COVER FRAME						
21	S32897000	SNAP LOCK						
22	S39460100	BINDER CLIP						
23	060300513	SCREW BIND M3X5						
24	XE7422001	WASHER PLAIN M 3						
25	028030243	WASHER, SPRING 2-3						
26	XE7428001	CARTON						
27	XE7427001	PAD						
SETTING FRAME GAUGE W								
28	XC7235051	ROLLER BASE B ASSY						
29	0A5300806	SCREW PAN (S/P WASHER) M3X8						
30	XC5576051	WASHER						
31	XC5577051	THUMB BOLT M6						
32	004261214	SCREW FLAT M2.6X12						
33	XC6227051	FRAME COVER STOPPER						
34	062400613	SCREW PAN M4X6						

# CYLINDER FRAME

\*For PR1000e/PR-1000/PR655/PR650e/PR-650/PR-620



22 (PS FOAM PAD TOP for COMPLETE SET)



23 (PS FOAM PAD BOTTOM for COMPLETE SET)

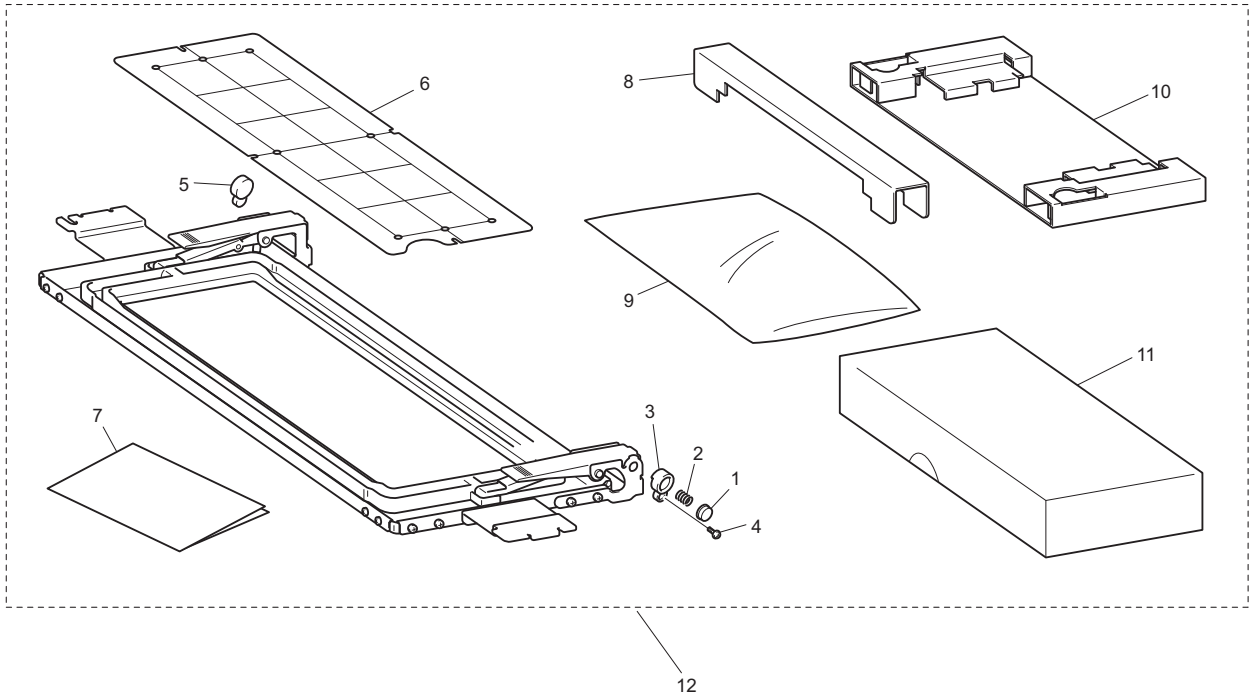
## CYLINDER FRAME

\*For PR1000e/PR-1000/PR655/PR650e/PR-650/PR-620

No.	CODE	NAME	REMARKS
CYLINDER DRIVER			
1	XE2270001	MAGNET	
2	XE2271001	MAGNET HOLDER	
3	060300613	SCREW BIND M3X6	
4	XC7235051	ROLLER BASE B ASSY	1000022560
5	060300413	SCREW BIND M3X4	
6	XC5553051	THUMB BOLT M4 L	
7	XC5817051	SCREW, KNOB M4S	
CYLINDER FRAME			
8	S39460100	BINDER CLIP	
9	XC7163153	CARTON	
10	XE2314001	POLYSTYRENE FOAM PAD TOP	
11	XE2315001	POLYSTYRENE FOAM PAD DOWN	
SETTING FRAME GAUGE			
12	0A5300606	SCREW, PAN (S/P WASHER) M3X6	
13	XC7235051	ROLLER BASE B ASSY	1000022560
14	XC5576051	WASHER	
15	XC5577051	THUMB BOLT M6	
16	004261214	SCREW, FLAT (M2.6) X12	
17	XC7148051	T-TYPE HEXAGONAL WRENCH, 3	
18	XC7149051	T-TYPE HEXAGONAL WRENCH, 2.5	
19	XE2316001	CYLINDER FRAME USER'S GUIDE	
20	XC7150051	SHEET	
21	XE2272001	SETTING GAUGE INSERTION	
22	XE2282001	POLYSTYRENE FOAM PAD TOP	
23	XE2283001	POLYSTYRENE FOAM PAD DOWN	
24	XF3666001	BAG 230X340H	
25	XE2298001	CYLINDER DRIVER ASSY	
26	ACC	PRCLH1/T03 CYLINDER FRAME ASSY	
27	XE2307001	SETTING FRAME GAUGE ASSY	

# BORDER FRAME

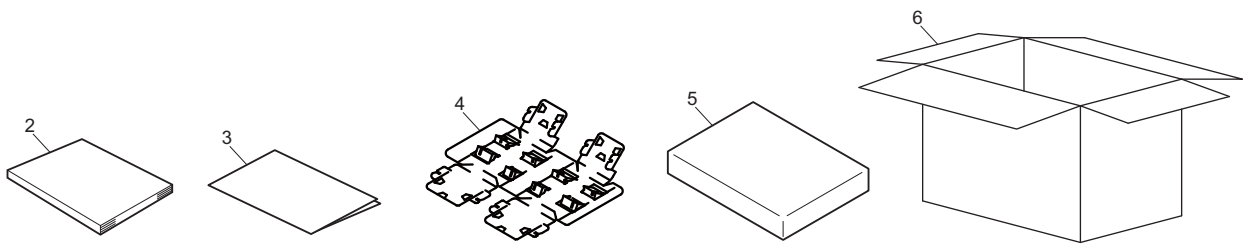
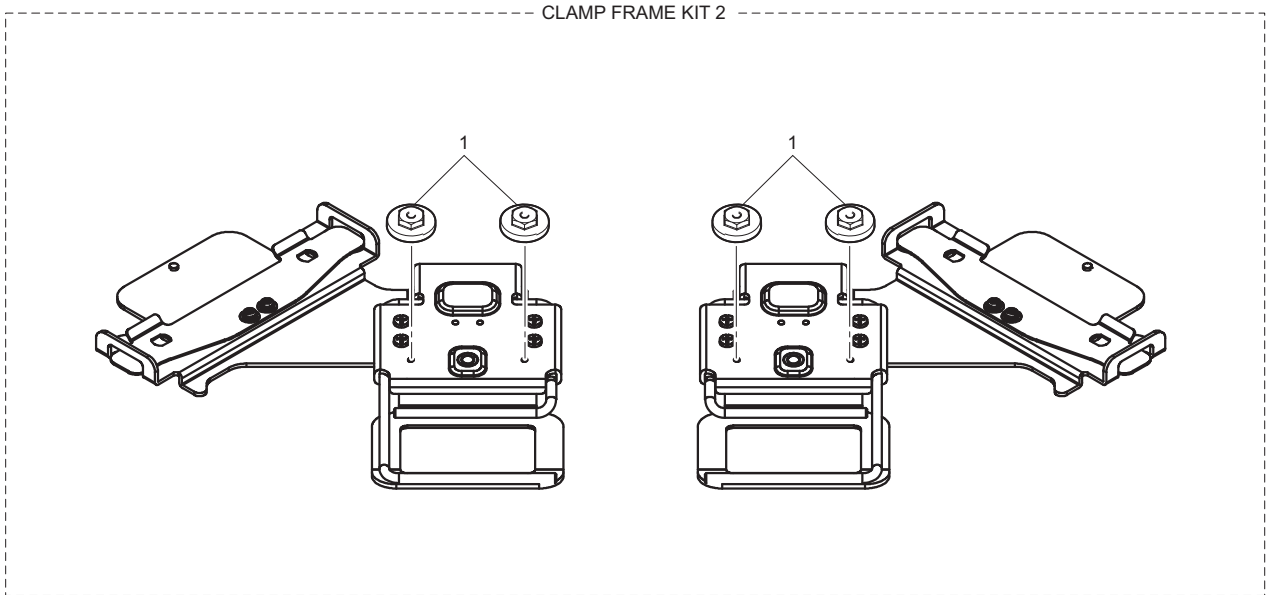
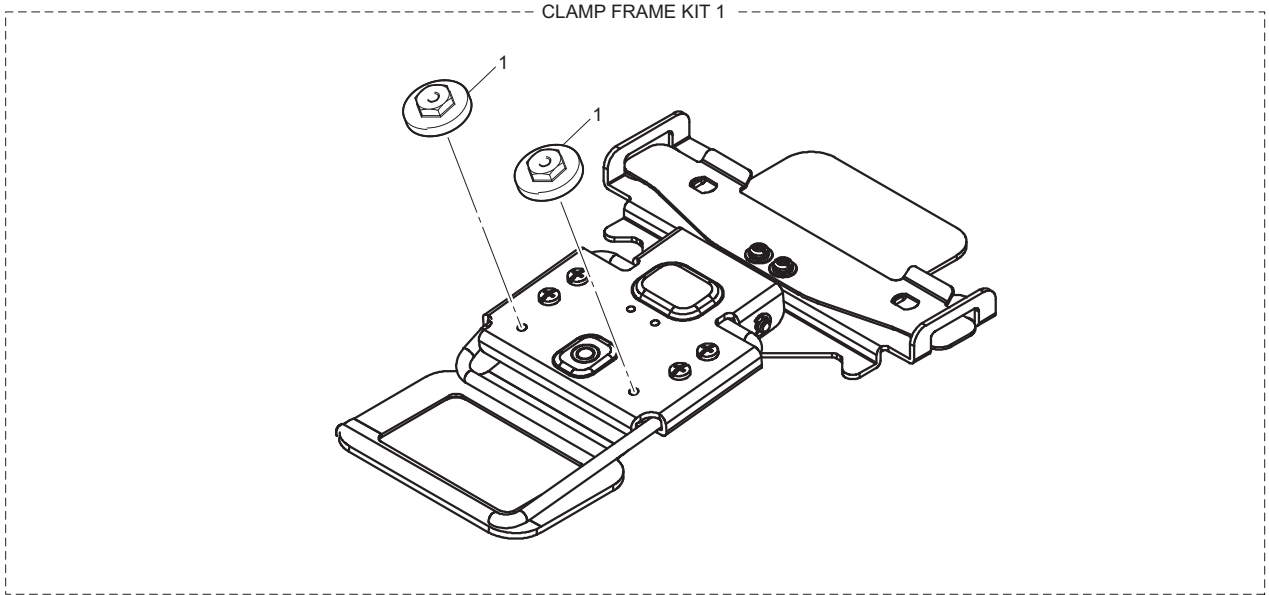
\*For PR1000e/PR-1000





# CLAMP FRAMES

\*For PR1000e/PR-1000/PR655



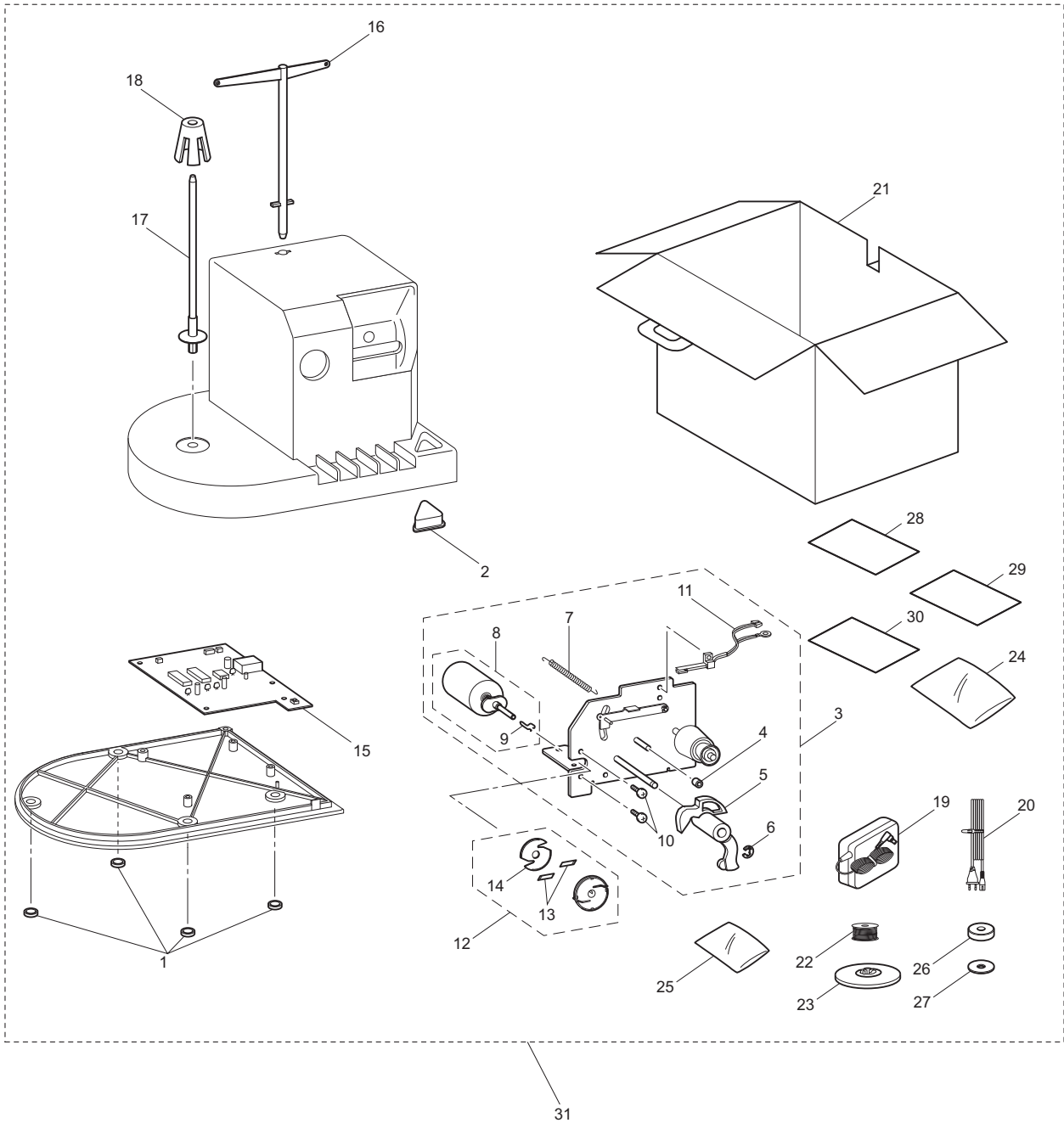
## CLAMP FRAMES

\*For PR1000e/PR-1000/PR655

No.	CODE	NAME	REMARKS
CLAMP FRAME KIT 1 / CLAMP FRAME KIT 2			
1	XF2232001	ADJUST NUT M4	
2	XF2261001	INSTRUCTION MANUAL	
3	XF7809001	INSERTION FOR PRCLP45LRD	
4	XF2263001	PAD LR	
5	XF2259001	CARTON	
6	XF2271001	CARTON L	
7	ACC	PRCLP45B CLAMP FRAME FOR 45B	
8	ACC	PRCLP45LR CLAMP FRAME FOR 45LR	



# BOBBIN WINDER SET

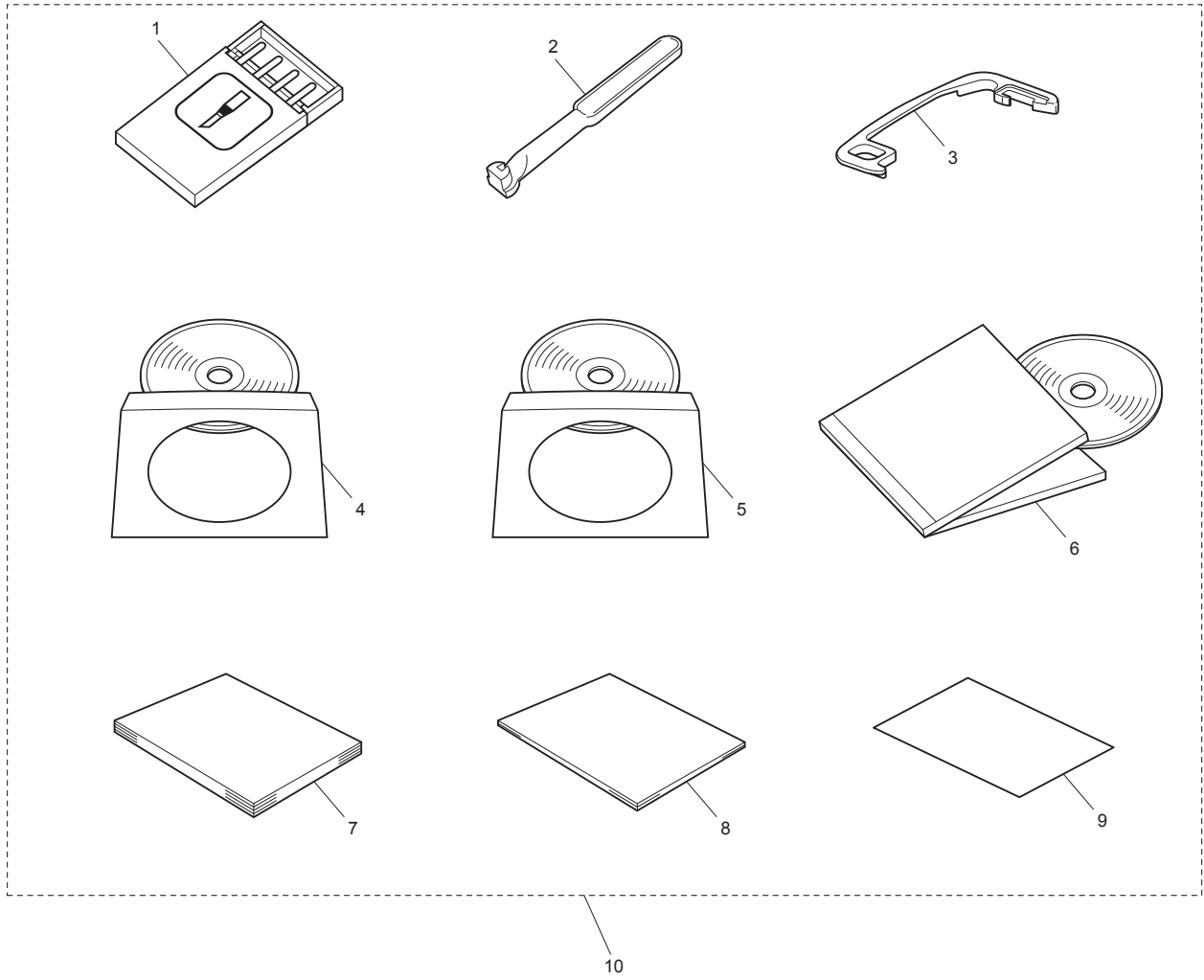


## BOBBIN WINDER SET

No.	CODE	NAME	REMARKS
BOBBIN WINDER SET			
1	X59853050	RUBBER CUSHION	
2	XC6602051	BOBBIN WINDER SS BUTTON	
3	XC6611251	BOBBIN WINDER HOLDER UNIT	1000051251
4	XC6607051	RUBBER	
5	XC6608151	THREAD GUIDE LEVER	1000051251
6	048040346	RETAINING RING, E4	
7	XA9545051	SPRING	
8	XC6633051	BOBBIN WINDER MOTOR COMPLETE	
9	XC6628051	BOBBIN WINDER SHAFT SPRING	
10	060300416	SCREW, BIND M3X4	
11	XC7172151	ASSY, BW SWITCH	
12	XA5876051	BOBBIN BASE ASSY	
13	X80321001	NT LOWER THREAD CUTTER	
14	XA5877051	BOBBIN THREAD CUTTER HOLDER	
15	XC6639251	ASSY: BW PCB	1000034146
16	XC6644151	THREAD GUIDE ROD ASSY	
17	XC5949051	SPOOL PIN	
18	XA0679050	SPOOL CUSHION	
19	XE9697101	AC ADAPTER SUPPLY ASSY EU (EUROPE)	1000025686
	XF0759101	AC ADAPTER SA124C-24U (CHL, RUS, KOR, IND)	
	XG6395001	AC ADAPTER SA142D-24U BW (OTHER)	1000053841
20	XD0111151	POWER SUPPLY CORD:IRAM (ARG)	
	LW2359001	POWER SUPPLY CORD CSA LF (USA, CAN)	1000041525
	XC9548051	POWER SUPPLY CORD:SAA-LF (AUS, NZL)	
	XF0749101	POWER SUPPLY CORD: BRZ (BRA)	1000029467
	XD0225051	POWER SUPPLY CORD:TWN (TWN)	
	XF7409001	POWER SUPPLY CORD:CHN (CHN)	1000038647
	X59354251	POWER SUPPLY CORD BS (UK,IRE, MYS)	1000050840
	XE2016001	POWER SUPPLY CORD KOR (KOR)	
	XA0070151	POWER SUPPLY CORD (OTHER)	
21	XC6630051	BOBBIN WINDER CARTON	
22	100376051	BOBBIN	1000035789
23	130012054	SPOOL PRESSER A	
24	XC5720051	BAG 260X440H (for BOBBIN WINDER)	
25	X57367051	BAG, 135X150 (for ACSESSORIES)	
26	XC5974151	BOBBIN TENSION GAUGE	
27	XC6631051	BOBBIN TENSION GAUGE 45G	
28	XC7250051	INSERTION FOR THREAD TENSION	
29	XF0300001	INSERTION WEEE	
30	XE7716001	POWER SUPPLY CORD INSERTION	
31	ACC	PRBW1 T01 BOBBIN WINDER SET	

# CUT WORK SET

\*For PR1000e/PR-1000/PR655/PR650e/PR-650

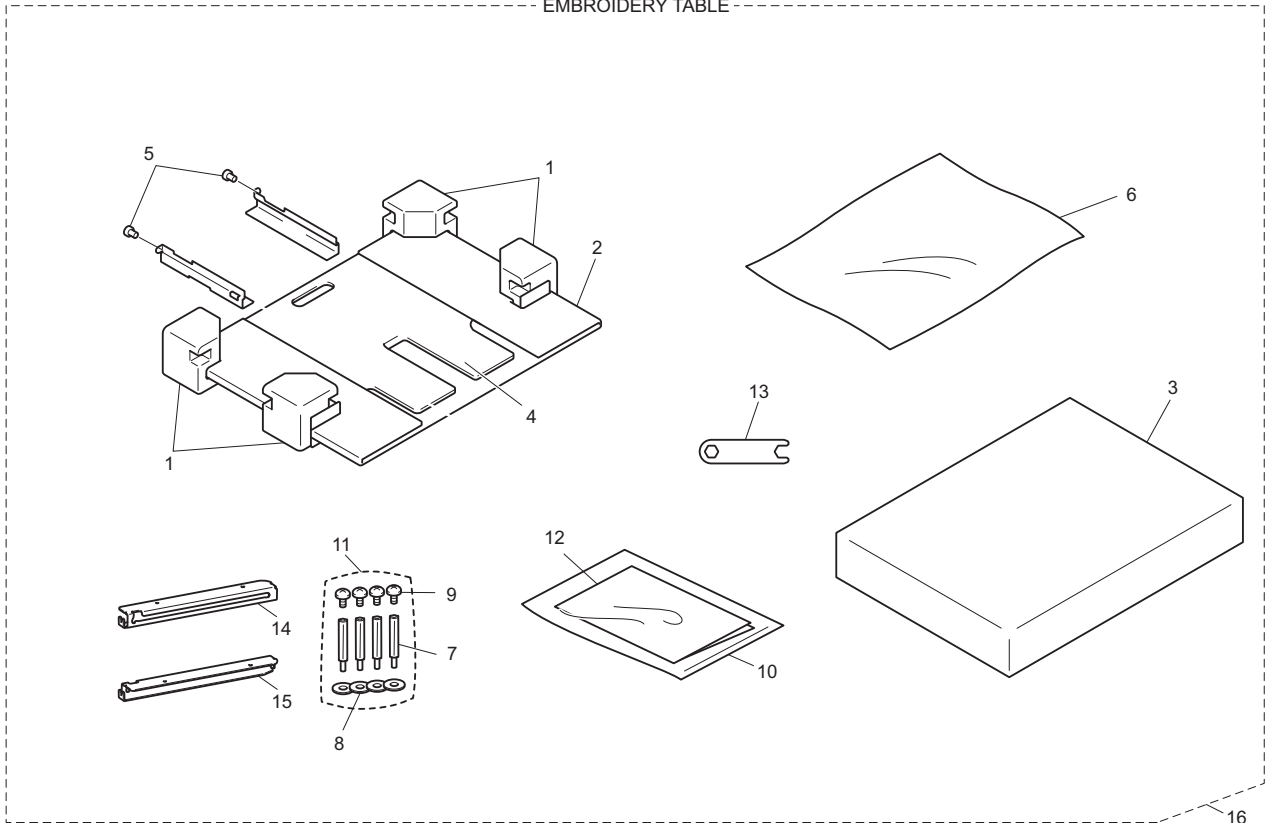




# EMBROIDERY TABLE / DEDICATED STAND

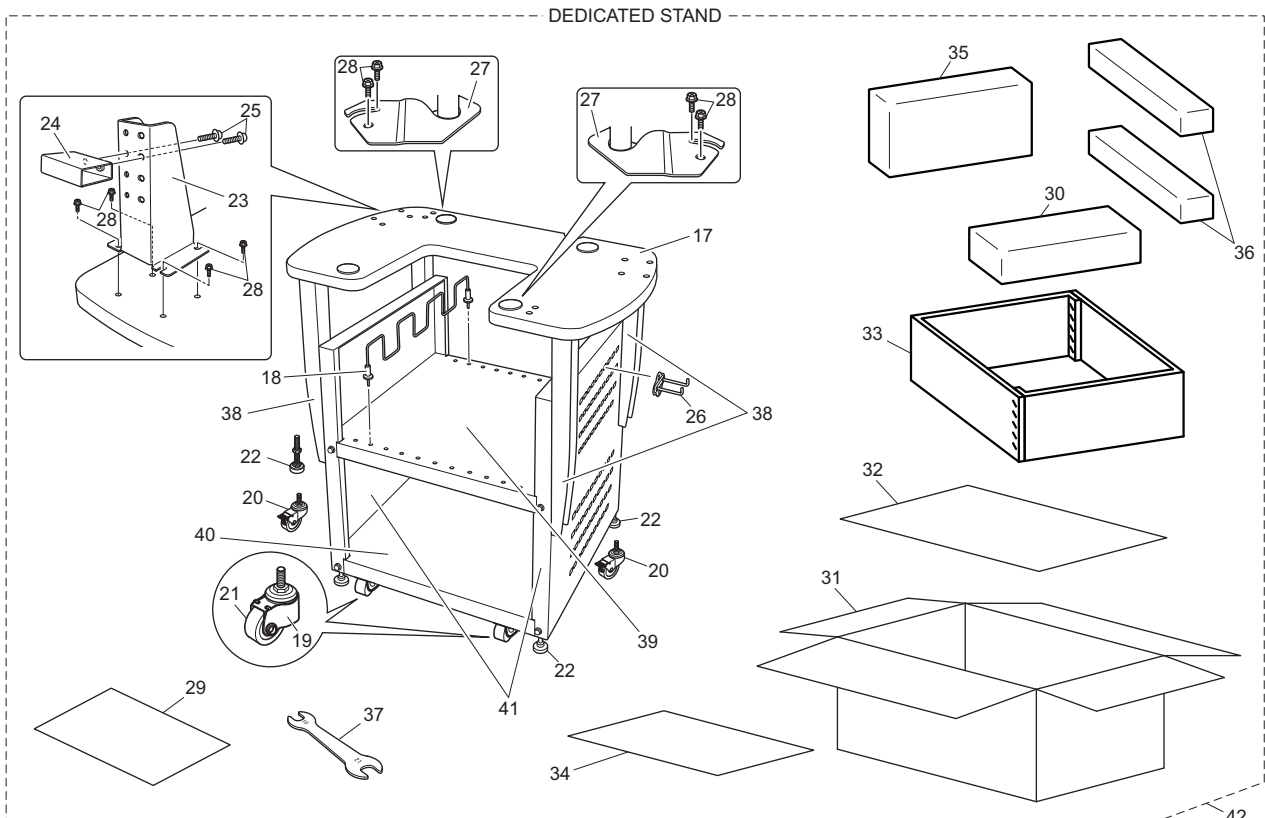
## EMBROIDERY TABLE

EMBROIDERY TABLE



## DEDICATED STAND

DEDICATED STAND



## EMBROIDERY TABLE / DEDICATED STAND

No.	CODE	NAME	REMARKS	No.	CODE	NAME	REMARKS
EMBROIDERY TABLE				DEDICATED STAND			
1	XE7423101	POLYSTYRENE FOAM PAD CORNER	1000051163	17	XG3060001	UPPER PLATE ASSY	
2	XE7424001	PAD		18	XF7159001	PARTITION ASSY	
3	XE7425001	CARTON		19	XG3536001	CASTER COVER	
4	XE7197001	WIDE TABLE TOP		20	XF7162001	CASTER	
5	XC5553051	THUMB BOLT M4 L		21	XF6861001	STOP CASTER	
6	XC6459051	SHEET 1400X2000		22	XF6862001	ADJUSTER	
7	XE8036001	STUD		23	XF6863001	CAP JIG STAND	
8	025040236	WASHER PLAIN M 4		24	XF6864001	CAP JIG HOLDER	
9	008400603	SCREW TRUSS M4X6		25	0A5061606	SCREW PAN (S/P WASHER) M6X16	
10	130800051	BAG 230X310H		26	XF6865001	HOOK	
11	XE5132001	BAG_100X100		27	XG1601001	FIX PLATE	
12	XE8480001	TABLE SET INSERTION		28	XF6867001	FLANGE BOLT M6X14	
13	XE7421001	TOOL WRENCH M7		29	XF6868201	ASSEMBLY MANUAL	
14	XE7200001	TABLE PLATE L ASSY		30	XF6869001	PARTS CARTON	
15	XE7201001	TABLE PLATE R ASSY		31	XG2469001	CARTON	
16	ACC	PRBW1 T01 BOBBIN WINDER SET		32	XF6871001	A PLATE D	
				33	XF6872001	STRENGTHEN PLATE D ASSY	
				34	XF7217001	B PLATE D	
				35	XF6873001	SIDE SUPPORT SF	
				36	XG1602001	SIDE SUPPORT SF	
				37	XF7202001	WRENCH	
				38	XF6856001	FOOT	
				39	XF6880001	PLATE D UPPER	
				40	XF6858001	PLATE D	
				41	XG2471001	SIDE PLATE	
				42	ACC	PRNSTD2 STAND/VRPRNSTD STAND	

**brother**