

brother[®]

PARTS REFERENCE LIST

**MODEL: PT-10/PT-150
PT-2000**

MECHANICS & ELECTRONICS

NOTES FOR USING THIS PARTS REFERENCE LIST

1. In the case of ordering parts, it needs mentioning the following items:

- (1) Code
- (2) Q'ty
- (3) Description
- (4) Revision No. (for a kind of printed circuit boards)

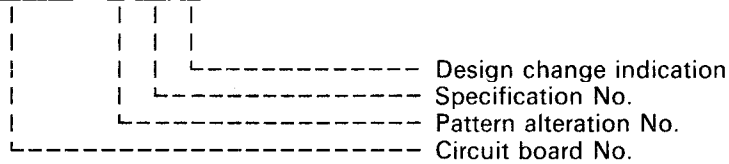
Note: No orders without Parts Code or Tool No. can be accepted.

Example

REF.NO.	CODE	Q'TY	DESCRIPTION	REMARKS
	(1) 	(2) 	(3) 	

(4) Revision No.: marked on a printed circuit board

B48V032 - 3 01 A



2. On alternative parts (design changed parts);

They have any one of the following symbols. In such a case, please refer to information, "Technical Information (revised edition)", and order.

- #A : exchangeable
- #B : substitutable new one for old
- #D : unexchangeable
- # : newly-established

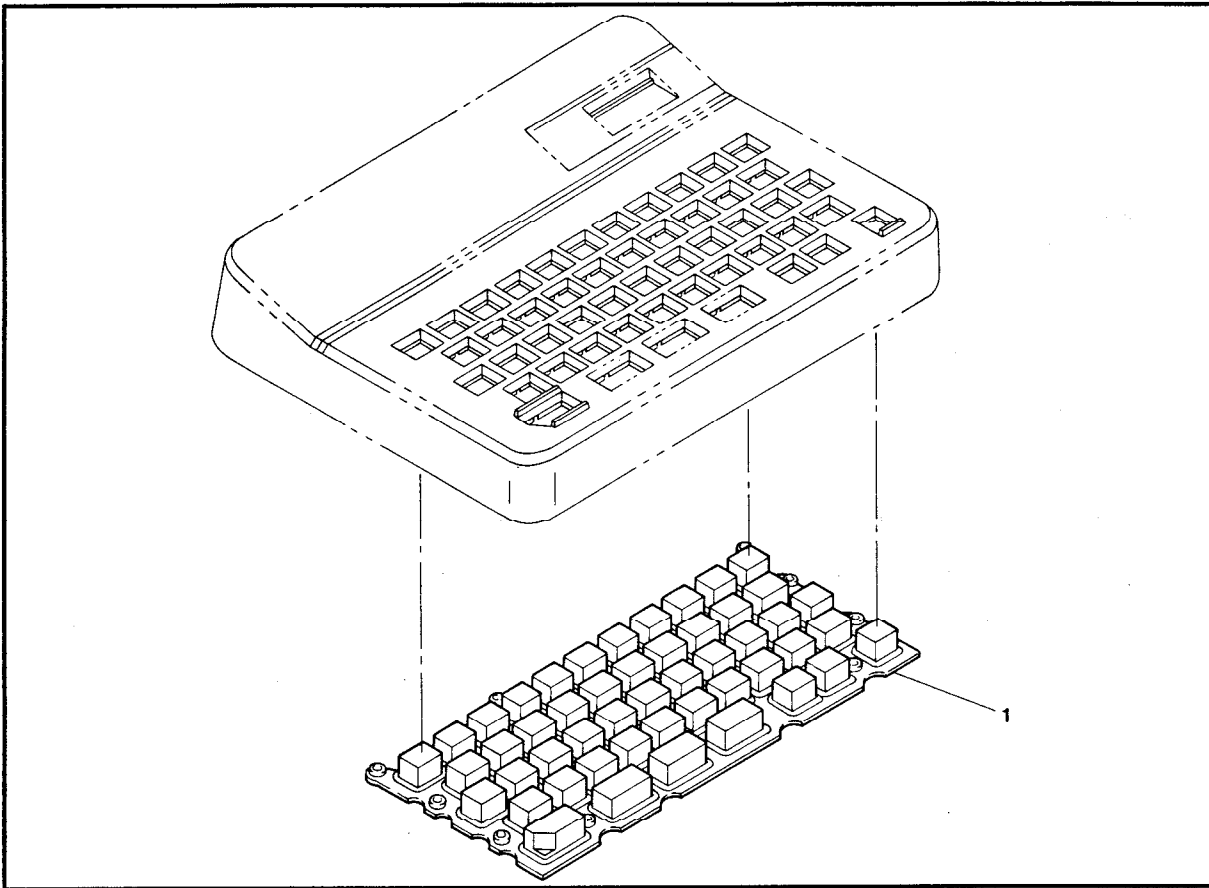
3. The original of this list was made based on the information available IN SEPTEMBER 1991.

4. Parts are subject to change in design without previous notice.

CONTENTS

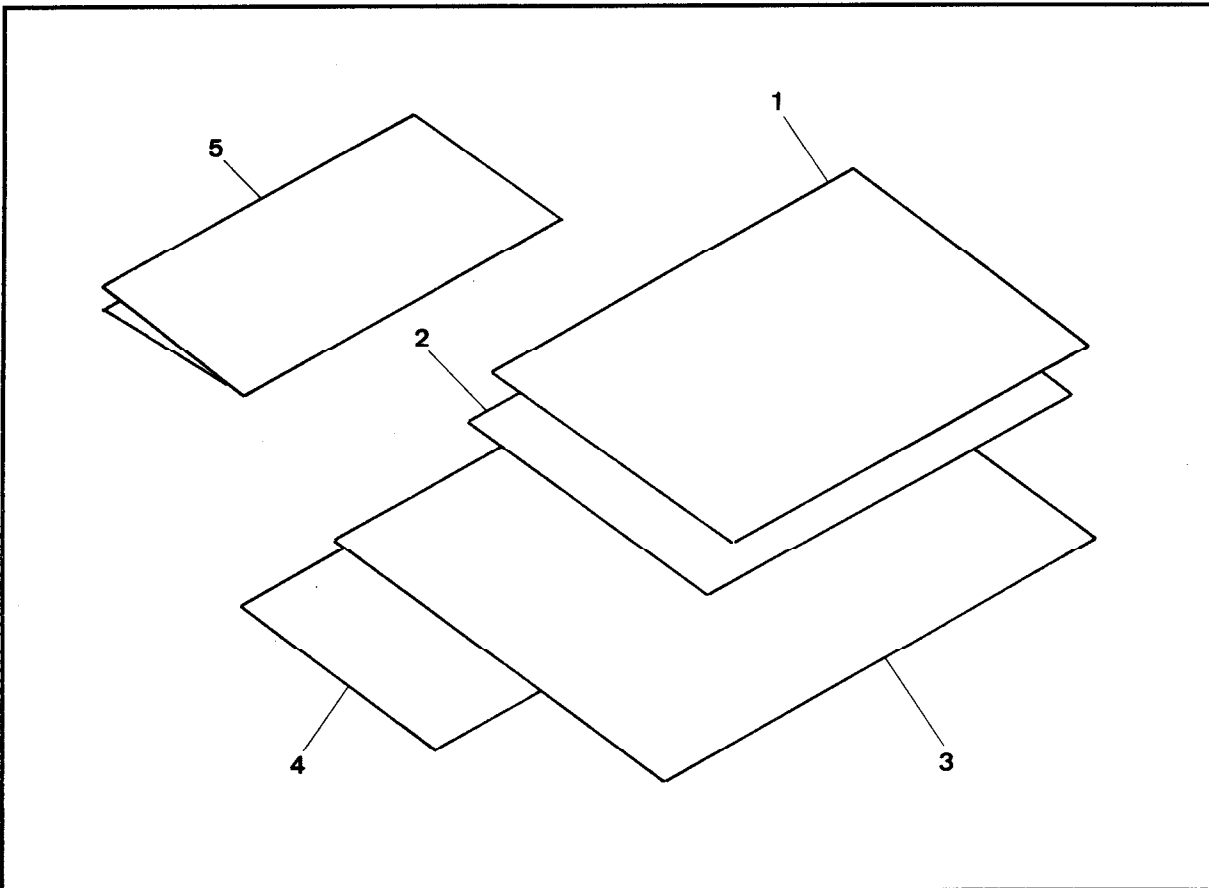
- 1. RUBBER KEY 1
- 2. PRINTED MATTER 1
- 3. MECHANISM 3
- 4. COVER 5
- 5. CONTROL PCB ASSEMBLY 7
- 6. PACKING MATERIALS 9
- 7. ADJUSTING TOOL KIT 11
- INDEX 13

1. RUBBER KEY



5V1-222-003

2. PRINTED MATTER



5V1-222-920

1. RUBBER KEY

REF.NO.	CODE	Q'TY	DESCRIPTION	REMARKS
1	UB1479001	1	RUBBER CONTACT 49 KEY, USA.ENGLISH PT-10/PT-150	
1	UB1480001	1	RUBBER CONTACT 49 KEY, GERMAN PT-2000	
1	UB1481001	1	RUBBER CONTACT 49 KEY, FRENCH PT-2000	
1	UB1482001	1	RUBBER CONTACT 49 KEY, U.K./INTERNATIONAL PT-2000	
1	UB1483001	1	RUBBER CONTACT 49 KEY, BELGIUM PT-2000	
1	UB1479003	1	RUBBER CONTACT 49 KEY, USA.ENGLISH PT-10 OLYMPIC	#

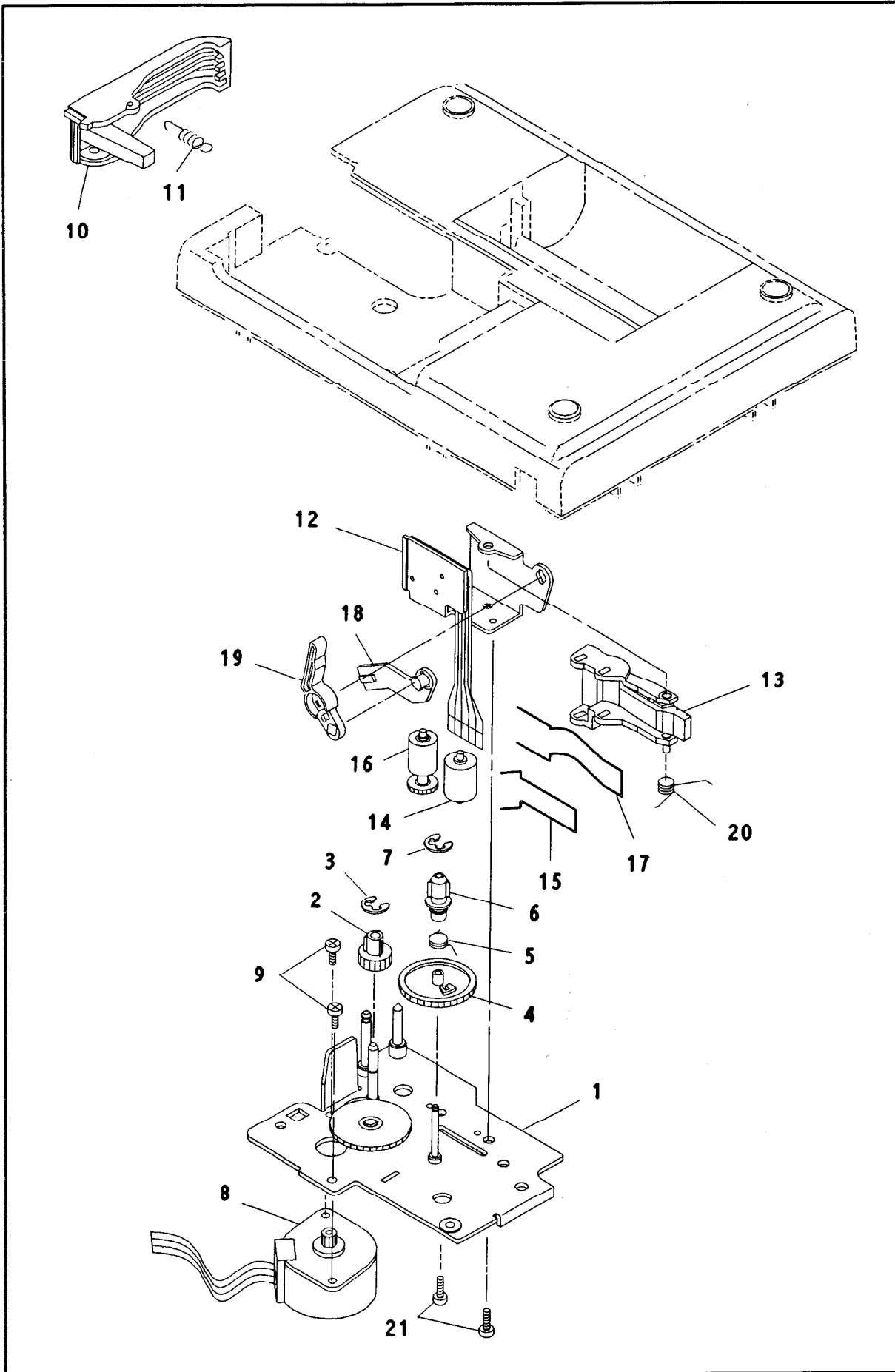
5V1-222-003

2. PRINTED MATTER

REF.NO.	CODE	Q'TY	DESCRIPTION	REMARKS
1	UB1492001	1	USER'S GUIDE, U.S.A. PT-10	
1	UB1493001	1	USER'S GUIDE, A.ENGLISH PT-10	
1	UB1521001	1	USER'S GUIDE, CANADA/FRENCH PT-2000	
1	UB1516001	1	USER'S GUIDE, U.K. ENGLISH PT-2000	
1	UB1517001	1	USER'S GUIDE, DUTCH PT-2000	
1	UB1518001	1	USER'S GUIDE, GERMAN PT-2000	
1	UB1519001	1	USER'S GUIDE, FRENCH PT-2000	
1	UB1520001	1	USER'S GUIDE, SPANISH PT-2000	
1	UB1552001	1	USER'S GUIDE, DANISH PT-2000	#
1	UB1553001	1	USER'S GUIDE, SWEDISH PT-2000	#
1	UB1554001	1	USER'S GUIDE, FINNISH PT-2000	#
1	UB1546001	1	USER'S GUIDE, SWISS G/F PT-2000	#
1	UB2566001	1	USER'S GUIDE, SPANISH PT-10 U.S.A.	#
1	UB2596001	1	USER'S GUIDE, USA ENGLISH PT-150	#
1	UB2689001	1	USER'S GUIDE, SPANISH PT-150	#
2	UB0176001	1	WARRANTY CARD USA	
2	UB0792001	1	WARRANTY CARD E, CANADA/ENGLISH	
2	UB0793001	1	WARRANTY CARD F, CANADA/FRENCH	
2	UB0659001	1	WARRANTY CARD GERMAN	
2	237703001	1	WARRANTY CARD DUTCH	#
2	UB2565001	1	WARRANTY CARD SWEDISH	#
3	UB1525001	1	PRECAUTION LABEL, TAPE PT-10	
4	UB1922001	1	INSERTION SHEET, CANADA	#
5	UB1946001	1	TAPE CATALOG GERMANY	#

5V1-222-920

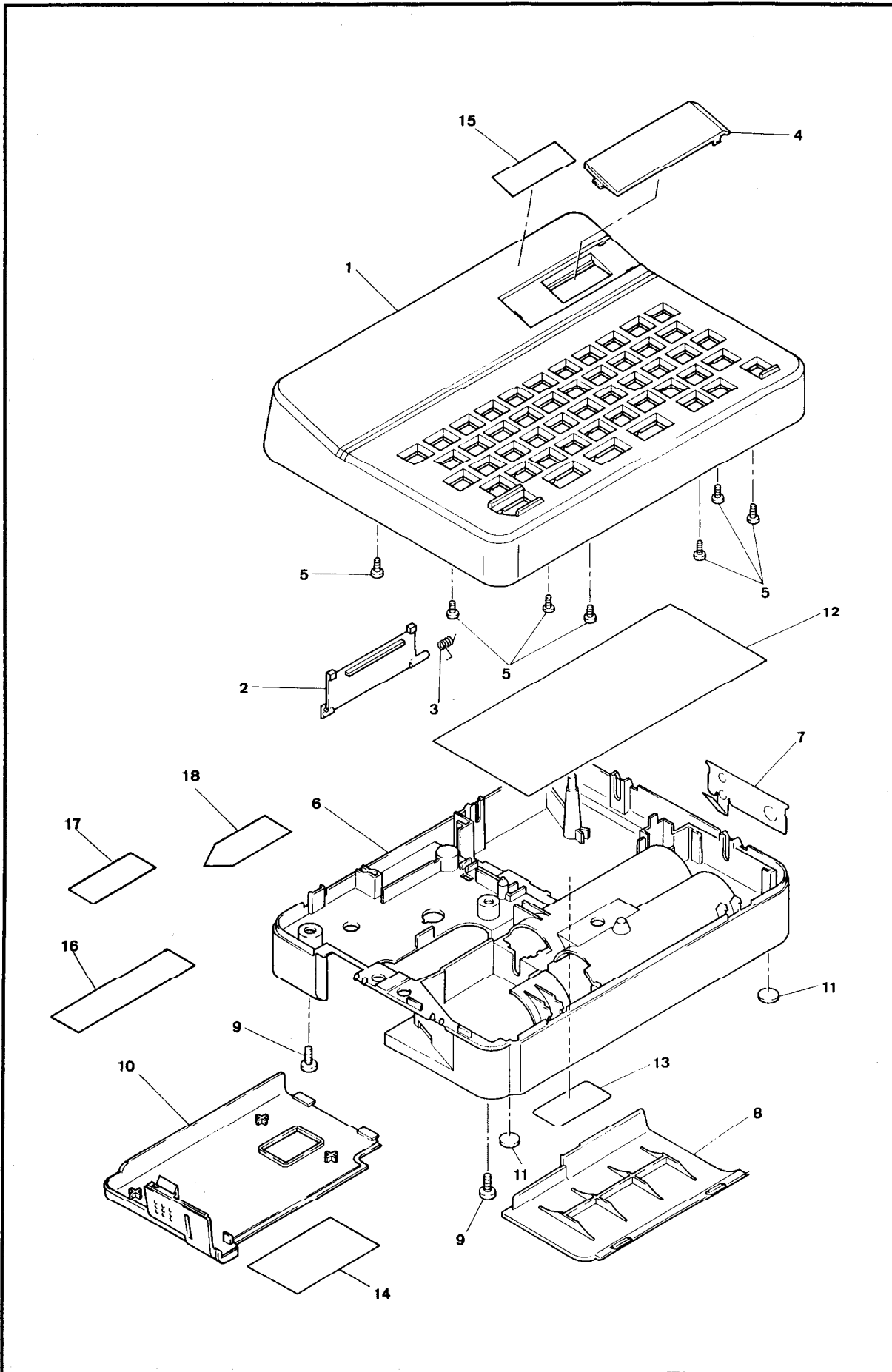
3. MECHANISM



3. MECHANISM

REF.NO.	CODE	Q'TY	DESCRIPTION	REMARKS
1-7	UB0026001	1	MOTOR HOLDER ASSEMBLY	
1	UB0027001	1	MOTOR HOLDER UNIT	
2	UB0034001	1	TAPE FEED ROLLER CAM	
3	048020346	1	RETAINING RING, E2	
4	UB0036000	1	TAPE DRIVE GEAR	
5	UB0037001	1	CLUTCH SPRING	
6	UB0038001	1	TAPE DRIVE CAM	
7	048015346	1	SNAP RING, E1.5	
8	Z23951001	1	TAPE FEED MOTOR	
9	062260406	2	SCREW, PAN M2.6X4	
10	UB0039014	1	CUTTER LEVER GRAY1135	#
10	UB0039011	1	CUTTER LEVER GRAY064 (BLACK)	#
10	UB0039018	1	CUTTER LEVER ORANGE9S106 PT-150	#
11	UB0127001	1	SPRING, COIL	
12	UB0053001	1	THERMAL HEAD UNIT	
13-17	UB0045001	1	ROLLER HOLDER ASSY	
13	UB0046001	1	ROLLER HOLDER	
14	UB0047001	1	PLATEN ROLLER	
15	UB0049001	1	PLATEN HOLDING SPRING	
16	UB0050001	1	TAPE FEED SUB ROLLER	
17	UB0129001	1	SUB ROLLER HOLDING SPRING	
18	UB0130001	1	ROLLER RELEASE ROD	
19	UB0061003	1	ROLLER RELEASE LEVER	
20	UB0131001	1	SPRING, TORSION	
21	062300405	2	SCREW, PAN M3X4	

4. COVER

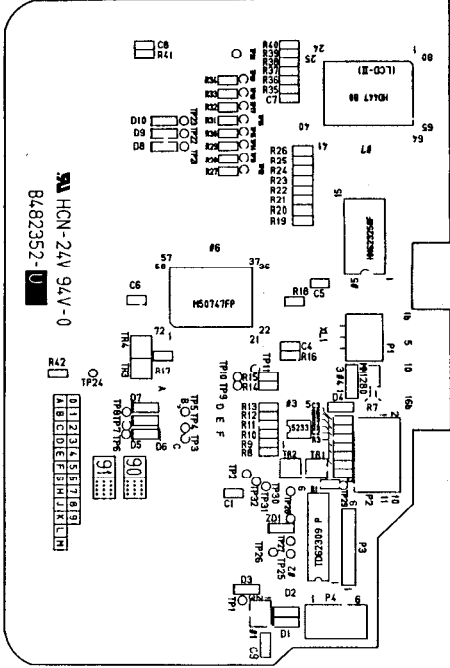
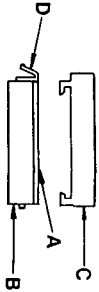


4. COVER

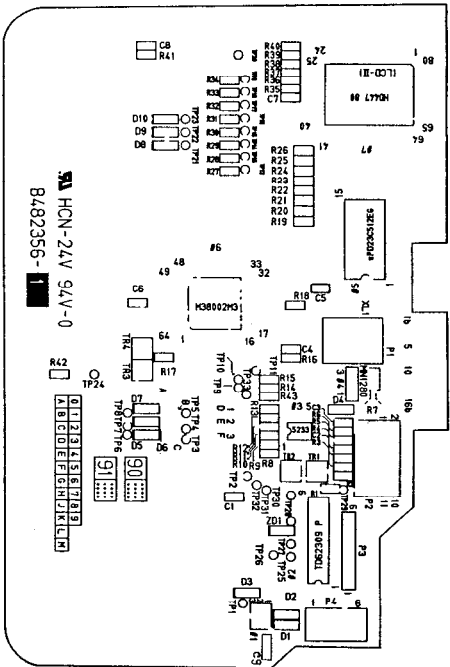
REF.NO.	CODE	Q'TY	DESCRIPTION	REMARKS
1	UB1484015	1	BODY COVER WHITE1137 USA. PT-10	
1	UB1485015	1	BODY COVER WHITE1137 DEU.AUT. PT-2000	
1	UB1486015	1	BODY COVER WHITE1137 FRA. PT-2000	
1	UB1487015	1	BODY COVER WHITE1137 GBR./OTHERS PT-2000	
1	UB1485011	1	BODY COVER GRAY064Y DEU. PT-2000	#
1	UB1487011	1	BODY COVER GRAY064 GBR. PT-2000	#
1	UB2480009	1	BODY COVER GOLD1257 USA. PT-10	#
1	UB2481010	1	BODY COVER SILVER1258 DEU.AUT. PT-2000	#
1	UB2482010	1	BODY COVER SILVER1258 FRA. PT-2000	#
1	UB2483010	1	BODY COVER SILVER1258 GBR./OTHERS PT-2000	#
1	UB2593005	1	BODY COVER GRAY738 USA. PT-150	#
2	UB1488015	1	FONT CARTRIDGE SLOT LID WHITE1137	#
2	UB1488011	1	FONT CARTRIDGE SLOT LID GRAY064	#
2	UB2508009	1	FONT CARTRIDGE SLOT LID GOLD1257	#
2	UB2508010	1	FONT CARTRIDGE SLOT LID SILVER1258	#
3	UB0132001	1	SPRING, TORSION	#
4	UB1489001	1	LCD PANEL, USA. PT-10	
4	UB1490001	1	LCD PANEL, EC/OTHERS PT-2000	
4	UB1930001	1	LCD PANEL, FRA. PT-2000	#
4	UB2594001	1	LCD PANEL, USA. PT-150	#
5	UB2235001	7	TAPTITE, PAN B M2.6X6	
6	UB0442014	1	BOTTOM COVER GRAY1135	#
6	UB0442011	1	BOTTOM COVER GRAY064 (BLACK)	#
6	UB0442005	1	BOTTOM COVER GRAY738 PT-150	#
7	UB0070000	1	BATTERY TERMINAL PLATE	
8	UB0071014	1	BATTERY COVER GRAY1135	#
8	UB0071011	1	BATTERY COVER GRAY064 (BLACK)	#
8	UB0071005	1	BATTERY COVER GRAY738 PT-150	#
9	575364001	2	SCREW, PAN M3X8	
10	UB0081014	1	TAPE CASSETTE COVER GRAY1135	#
10	UB0081011	1	TAPE CASSETTE COVER GRAY064 (BLACK)	#
10	UB0081005	1	TAPE CASSETTE COVER GRAY738 PT-150	#
11	UB0122001	2	FOOT	
12	UB1491000	1	BLIND SHEET	
13	UB1494001	1	LABEL, RATING PT-10 USA.	
13	UB1523001	1	LABEL, RATING PT-2000 DEU.AUT.	
13	UB1524001	1	LABEL, RATING PT-2000 EC/OTHERS	
13	UB2595001	1	LABEL, RATING PT-150 USA.	#
14	UB0283001	1	LABEL, ATTENTION A.ENGLISH	
14	UB0544001	1	LABEL, ATTENTION GER. ENG. F.	
14	UB1873001	1	LABEL, ATTENTION NORTH EUROPE DNK.SWE.FIN.	#
15	UB1550001	1	CAUTION LABEL A.ENGLISH	
15	UB1522001	1	CAUTION LABEL OTHERS	
15	UB1874002	1	SEAL, ATTENTION NORTH EUROPE DNK.SWE.FIN.	#
15	UB2484001	1	SEAL, ATTENTION A.ENGLISH (GOLD)	#
16	UB2332001	1	LABEL, MYLAR PT-10/PT-150	#
17	UB2564001	1	LABEL SWEDISH	#
18	UB2572002	1	CUTTER LABEL PT-10/150	#

1-60

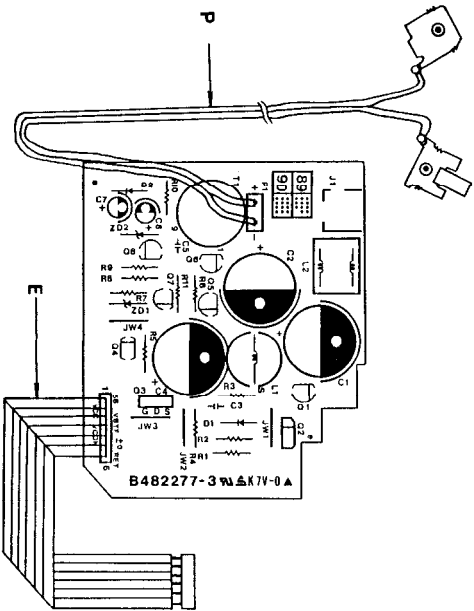
1-37



1-37



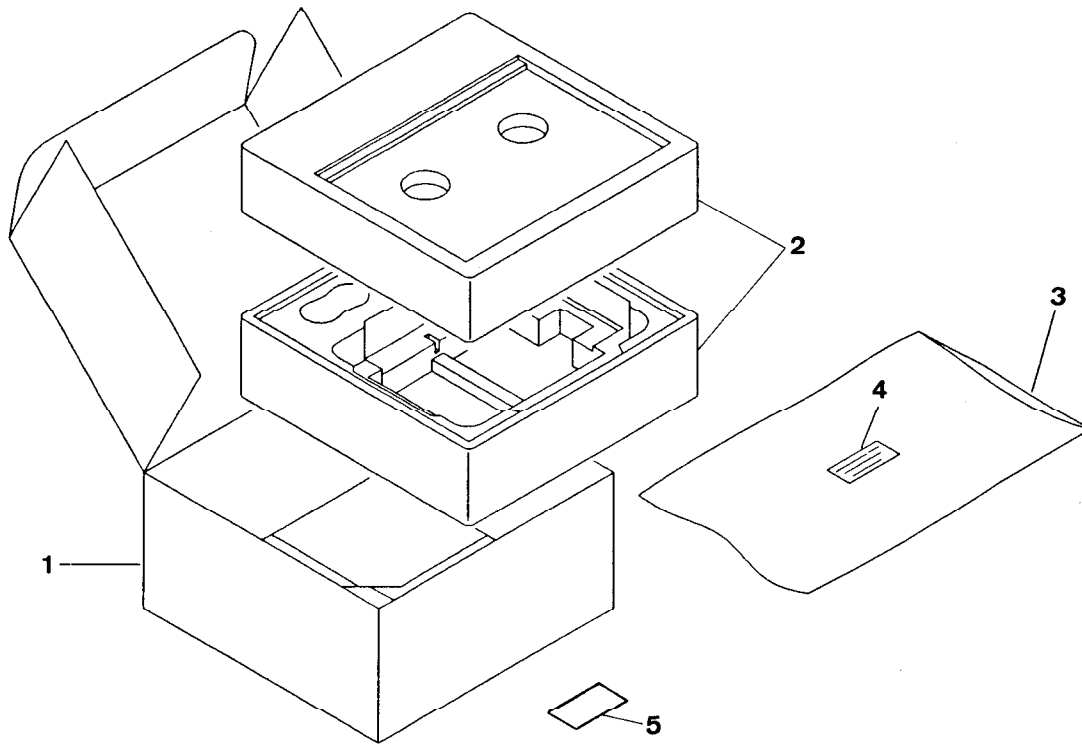
38-60



5. CONTROL PCB ASSEMBLY

REF.NO.	SYMBOL	CODE	Q'TY	DESCRIPTION	RMKS
1-60	B482352-1B	UB1562001	1	WHOLE CONTROL PCB ASSY, PT-10 A.ENGLISH	
1-60	B482356-12B	UB1563001	1	WHOLE CONTROL PCB ASSY, PT-2000 GERMAN	
1-60	B482356-13B	UB1564001	1	WHOLE CONTROL PCB ASSY, PT-2000 FRENCH	
1-60	B482356-11B	UB1565001	1	WHOLE CONTROL PCB ASSY, PT-2000 U.K/INT.	
1-60	B482352-200	UB2570001	1	WHOLE CONTROL PCB ASSY, PT-150 USA.	#
1-37	B482352	UB1566001	1	CONTROL PCB ASSY, PT-10 A.ENGLISH	
1-37	B482356	UB1567001	1	CONTROL PCB ASSY, PT-2000 GERMAN	
1-37	B482356	UB1568001	1	CONTROL PCB ASSY, PT-2000 FRENCH	
1-37	B482356	UB1569001	1	CONTROL PCB ASSY, PT-2000 U.K/INT.	
1-37	B482352	UB2571001	1	CONTROL PCB ASSY, PT-150 USA.	#
1	A	UB0150000	1	LCD LR666	
2	B	UB1020001	2	RUBBER CONNECTOR	
3	C	UB1010000	1	LCD HOLDER	
4	D	UR1009000	1	SPACER	
5	#6	UB1551000	1	DIGITAL LSI, CMOS PT-10	#
5	#6	UB1541000	1	DIGITAL LSI, CMOS PT-2000	
5	#6	UB2569000	1	DIGITAL LSI, CMOS PT-150	#
6	#5	UB0091000	1	DIGITAL LSI, CMOS PT-10/PT-150	
6	#5	UB1327000	1	DIGITAL LSI, CMOS PT-2000	
7	#7	UB0077000	1	DIGITAL LSI, CMOS PT-10/PT-150	
7	#7	UB1478000	1	DIGITAL LSI, CMOS PT-2000 GERMAN	
7	#7	UB1477000	1	DIGITAL LSI, CMOS PT-2000 FRENCH	
7	#7	UB1476000	1	DIGITAL LSI, CMOS PT-2000 U.K/INT.	
8	#3	U82940000	1	LINEAR IC, BIPOLAR	
9	#4	U33105000	1	DIGITAL LSI, MOS	
10	#1	UB1531000	1	LINEAR IC, CMOS	
11	#2	UB0142000	1	TRANSISTOR, ARRAY	
12	TR3	U33546000	1	TRANSISTOR, SILICON 2SA1365	
13	TR1	UB0144000	1	TRANSISTOR, SILICON	
14	TR2,TR4	U40270000	2	TRANSISTOR, :DTC114YK	
15	D1,D2,D4-10	U16908000	9	DIODE, SILICON	
16	ZD1	UB0146000	1	DIODE, ZENER	
17	XL1	UB0079000	1	OSCILLATOR PT-10	
17	XL1	UB1533000	1	OSCILLATOR PT-2000	
18	C3	Y81533010	1	CAPACITOR, CERAMIC 50C153J	
19	C4,C5,C6,C9	Y81042400	4	CAPACITOR, CERAMIC 25C104	#
20	C8	Y81031010	1	CAPACITOR, CERAMIC 50C103	
21	C1	Y81021010	1	CAPACITOR, CERAMIC 50C102	
22	R40	094913120	1	RESISTOR, C110J913	
23	R14,R15,R19-34,R41	094104120	19	FIXED RESISTOR, G-C110J104	
23	R14,R15,R19-34,R41,R43	094104120	20	FIXED RESISTOR, G-C110J104	
24	R1,R4,R10,R16,R17,R36-39	094103120	9	FIXED RESISTOR, G-C110J103	
25	R5	094223110	1	RESISTOR, C110G223	
26	R35	094113110	1	RESISTOR, C110G113	
27	R3	094273120	1	RESISTOR, C110J273	
28	R2	094224120	1	FIXED RESISTOR, G-C110J224	
29	R13	094753110	1	RESISTOR, C110G753	
30	R8,R9	094564110	2	RESISTOR, C110G564	
31	R11,R18	094105120	2	FIXED RESISTOR, G-C110J105	
31	R11	094105120	1	FIXED RESISTOR, G-C110J105	
32	P2	UB0147000	1	CONNECTOR	
33	P4	X51695001	1	CONNECTOR	
34	R7	U42459000	1	THERMISTOR	
35	R6	094273110	1	RESISTOR, C110G273	
36	C2	UB0082000	1	CAPACITOR, CERAMIC 16C683K	
37	R12	094473110	1	RESISTOR, C110G473	
38-60	B482277	UB1570001	1	POWER SUPPLY PCB ASSY	
38	J1	UB0116000	1	AC JACK S-G9312	
39	L2	U16735000	1	COIL:PLT1R53C	
40	E	UB1027000	1	RELAY HARNESS	
41	P1	UB1685001	1	POWER SUPPLY HARNESS UNIT	
42	L1	UB0143000	1	COIL MCPT100MH	
43	C1,C2	Y43322601	2	CAPACITOR, ALUMI-ELEC 16B332	
44	C7	Y44701601	1	CAPACITOR, ALUMI-ELEC 10B470	
45	C4	UB1560000	1	CAPACITOR, ALUMI-ELEC 16B222RS	
46	Q7	U15058000	1	TRANSISTOR, SILICON	
47	Q4,Q5	U15878000	2	TRANSISTOR, SILICON	
48	Q1	U15775000	1	TRANSISTOR, SILICON	
49	D1	U15876000	1	DIODE, SILICON	
50	ZD1	U15861000	1	DIODE, ZENER	
51	C3	Y23321205	1	CAPACITOR, CERAMIC 50B332	
52	R6	090470320	1	RESISTOR, A12YJ470	
53	R3,R7	090102120	2	FIXED RESISTOR, D-A14YJ102	
54	R5,R8	090332120	2	FIXED RESISTOR, D-A14YJ332	
55	R4	090153120	1	RESISTOR, A14AJ153	
56	Q3	U43107000	1	TRANSISTOR, FIELD EFFECT	
57	Q2	U41775000	1	TRANSISTOR, SILICON	
58	R1	090223120	1	FIXED RESISTOR, D-A14YJ223	
59	R11	090331120	1	FIXED RESISTOR, D-A14YJ331	
60	R2	090474120	1	RESISTOR, A14YJ474	

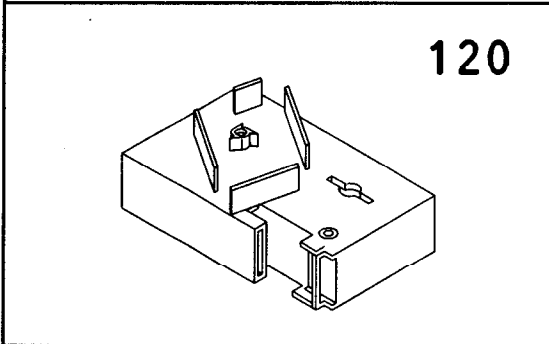
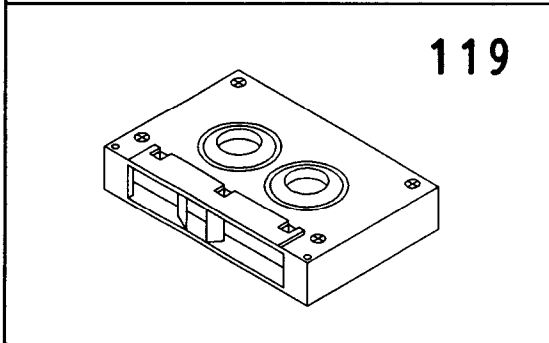
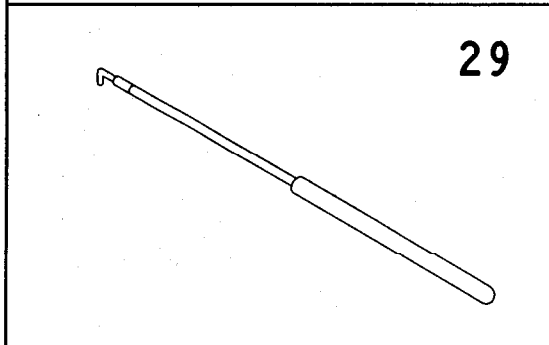
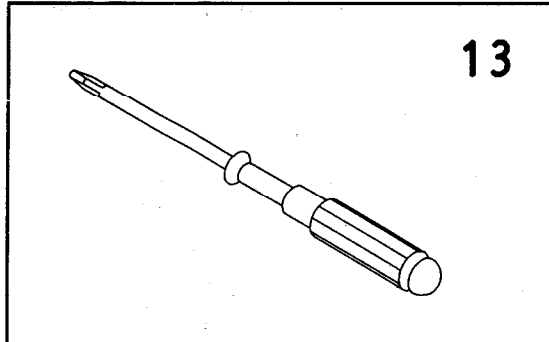
6. PACKING MATERIALS



6. PACKING MATERIALS

REF.NO.	CODE	Q'TY	DESCRIPTION	REMARKS
1	UB1545001	1	CARTON USA. PT-10	
1	UB1548001	1	CARTON CANADA PT-2000	
1	UB1547001	1	CARTON EUROPE PT-2000	
1	UB1951001	1	CARTON GERMANY PT-2000	#
1	UB2430001	1	CARTON OLYMPIC USA. PT-10	#
1	UB2431001	1	CARTON OLYMPIC CANADA PT-2000	#
1	UB2432001	1	CARTON OLYMPIC EUROPE(FOR WHITE) PT-2000	#
1	UB2433001	1	CARTON OLYMPIC EUROPE(FOR GRAY) PT-2000	#
1	UB2478001	1	CARTON OLYMPIC USA.(FOR GOLD) PT-10	#
1	UB2479001	1	CARTON OLYMPIC EUROPE(FOR SILVER) PT-2000	#
1	UB2597001	1	CARTON USA. PT-150	#
2	UB1927001	1	STYROFOAM PAD UNIT	#
3	U62093001	1	POLYVINYL BAG(WITH WARNING)	#
3	562778000	1	BAG BS	
4	163528001	1	ATTENTION LABEL BS	
5	UB2486001	1	BAR CODE LABEL 110723/1 IRL. PT-2000	#
5	UB2488001	1	BAR CODE LABEL 110727/1 BEL. PT-2000	#
5	UB2490001	1	BAR CODE LABEL 110721/1 GBR. PT-2000	#
5	UB2492001	1	BAR CODE LABEL 110722/1 FRA. PT-2000	#
5	UB2494001	1	BAR CODE LABEL 110724/1 NLD. PT-2000	#
5	UB2496001	1	BAR CODE LABEL 110726/1 AUT. PT-2000	#
5	UB2498001	1	BAR CODE LABEL 110973/1 SWE. PT-2000	#
5	UB2500001	1	BAR CODE LABEL 110968/1 FIN. PT-2000	#
5	UB2502001	1	BAR CODE LABEL 110972/1 PRT. PT-2000	#
5	UB2504001	1	BAR CODE LABEL 11072511 CHE. PT-2000	#
5	UB2506001	1	BAR CODE LABEL 110970/1 DNK. PT-2000	#
5	UB2573001	1	BAR CODE LABEL 112416/1 OLYMPIC GBR. PT-2000	#
5	UB2575001	1	BAR CODE LABEL 112430/1 OLYMPIC IRL. PT-2000	#
5	UB2577001	1	BAR CODE LABEL 112417/1 OLYMPIC NLD. PT-2000	#
5	UB2579001	1	BAR CODE LABEL 112418/1 OLYMPIC CHE. PT-2000	#
5	UB2581001	1	BAR CODE LABEL 112431/1 OLYMPIC DNK. PT-2000	#
5	UB2583001	1	BAR CODE LABEL 112419/1 OLYMPIC SWE. PT-2000	#
5	UB2585001	1	BAR CODE LABEL 112422/1 OLYMPIC FRA. PT-2000	#
5	UB2587001	1	BAR CODE LABEL 112421/1 OLYMPIC DEU. PT-2000	#
5	UB2589001	1	BAR CODE LABEL 112423/1 OLYMPIC BEL. PT-2000	#
5	UB2591001	1	BAR CODE LABEL 112428/1 BLACK GBR. PT-2000	#
5	UB2600001	1	BAR CODE LABEL 110737/1 DEU. PT-2000	#
5	UB2602001	1	BAR CODE LABEL 111767/1 BLACK DEU. PT-2000	#
5	UB2604001	1	BAR CODE LABEL 112583/1 ITA. PT-2000	#
5	UB2608001	1	BAR CODE LABEL 110728/1 ESP. PT-2000	#
5	UB2606001	1	BAR CODE LABEL 112584/1 OLYMPIC ITA. PT-2000	#

7. ADJUSTING TOOL KIT



INDEX

CODE	REF.NO.	PAGE
UB0026001	3 - 1-7	4
UB0027001	3 - 1	4
UB0034001	3 - 2	4
UB0036000	3 - 4	4
UB0037001	3 - 5	4
UB0038001	3 - 6	4
UB0039011	3 - 10	4
UB0039014	3 - 10	4
UB0039018	3 - 10	4
UB0045001	3 - 13-17	4
UB0046001	3 - 13	4
UB0047001	3 - 14	4
UB0049001	3 - 15	4
UB0050001	3 - 16	4
UB0053001	3 - 12	4
UB0061003	3 - 19	4
UB0070000	4 - 7	6
UB0071005	4 - 8	6
UB0071011	4 - 8	6
UB0071014	4 - 8	6
UB0077000	5 - 7	8
UB0079000	5 - 17	8
UB0081005	4 - 10	6
UB0081011	4 - 10	6
UB0081014	4 - 10	6
UB0082000	5 - 36	8
UB0091000	5 - 6	8
UB0116000	5 - 38	8
UB0122001	4 - 11	6
UB0127001	3 - 11	4
UB0129001	3 - 17	4
UB0130001	3 - 18	4
UB0131001	3 - 20	4
UB0132001	4 - 3	6
UB0142000	5 - 11	8
UB0143000	5 - 42	8
UB0144000	5 - 13	8
UB0146000	5 - 16	8
UB0147000	5 - 32	8
UB0150000	5 - 1	8
UB0176001	2 - 2	2
UB0283001	4 - 14	6
UB0442005	4 - 6	6
UB0442011	4 - 6	6
UB0442014	4 - 6	6
UB0544001	4 - 14	6
UB0659001	2 - 2	2
UB0792001	2 - 2	2
UB0793001	2 - 2	2
UB1009000	5 - 4	8
UB1010000	5 - 3	8
UB1020001	5 - 2	8
UB1027000	5 - 40	8
UB1327000	5 - 6	8
UB1476000	5 - 7	8
UB1477000	5 - 7	8
UB1478000	5 - 7	8
UB1479001	1 - 1	2
UB1479003	1 - 1	2
UB1480001	1 - 1	2
UB1481001	1 - 1	2
UB1482001	1 - 1	2
UB1483001	1 - 1	2
UB1484015	4 - 1	6
UB1485011	4 - 1	6
UB1485015	4 - 1	6
UB1486015	4 - 1	6

CODE	REF.NO.	PAGE
UB1487011	4 - 1	6
UB1487015	4 - 1	6
UB1488011	4 - 2	6
UB1488015	4 - 2	6
UB1489001	4 - 4	6
UB1490001	4 - 4	6
UB1491000	4 - 12	6
UB1492001	2 - 1	2
UB1493001	2 - 1	2
UB1494001	4 - 13	6
UB1516001	2 - 1	2
UB1517001	2 - 1	2
UB1518001	2 - 1	2
UB1519001	2 - 1	2
UB1520001	2 - 1	2
UB1521001	2 - 1	2
UB1522001	4 - 15	6
UB1523001	4 - 13	6
UB1524001	4 - 13	6
UB1525001	2 - 3	2
UB1531000	5 - 10	8
UB1533000	5 - 17	8
UB1541000	5 - 5	8
UB1545001	6 - 1	10
UB1546001	2 - 1	2
UB1547001	6 - 1	10
UB1548001	6 - 1	10
UB1550001	4 - 15	6
UB1551000	5 - 5	8
UB1552001	2 - 1	2
UB1553001	2 - 1	2
UB1554001	2 - 1	2
UB1560000	5 - 45	8
UB1562001	5 - 1-60	8
UB1563001	5 - 1-60	8
UB1564001	5 - 1-60	8
UB1565001	5 - 1-60	8
UB1566001	5 - 1-37	8
UB1567001	5 - 1-37	8
UB1568001	5 - 1-37	8
UB1569001	5 - 1-37	8
UB1570001	5 - 38-60	8
UB1685001	5 - 41	8
UB1873001	4 - 14	6
UB1874002	4 - 15	6
UB1922001	2 - 4	2
UB1927001	6 - 2	10
UB1930001	4 - 4	6
UB1946001	2 - 5	2
UB1951001	6 - 1	10
UB2332001	4 - 16	6
UB2430001	6 - 1	10
UB2431001	6 - 1	10
UB2432001	6 - 1	10
UB2433001	6 - 1	10
UB2478001	6 - 1	10
UB2479001	6 - 1	10
UB2480009	4 - 1	6
UB2481010	4 - 1	6
UB2482010	4 - 1	6
UB2483010	4 - 1	6
UB2484001	4 - 15	6
UB2486001	6 - 5	10
UB2488001	6 - 5	10
UB2490001	6 - 5	10
UB2492001	6 - 5	10
UB2494001	6 - 5	10

INDEX

CODE	REF.NO.	PAGE	CODE	REF.NO.	PAGE
UB2496001	6 - 5	10	090223120	5 - 58	8
UB2498001	6 - 5	10	090331120	5 - 59	8
UB2500001	6 - 5	10	090332120	5 - 54	8
UB2502001	6 - 5	10	090470320	5 - 52	8
UB2504001	6 - 5	10	090474120	5 - 60	8
UB2506001	6 - 5	10	094103120	5 - 24	8
UB2508009	4 - 2	6	094104120	5 - 23	8
UB2508010	4 - 2	6		5 - 23	8
UB2564001	4 - 17	6	094105120	5 - 31	8
UB2565001	2 - 2	2		5 - 31	8
UB2566001	2 - 1	2	094113110	5 - 26	8
UB2569000	5 - 5	8	094223110	5 - 25	8
UB2570001	5 - 1-60	8	094224120	5 - 28	8
UB2571001	5 - 1-37	8	094273110	5 - 35	8
UB2572002	4 - 18	6	094273120	5 - 27	8
UB2573001	6 - 5	10	094473110	5 - 37	8
UB2575001	6 - 5	10	094564110	5 - 30	8
UB2577001	6 - 5	10	094753110	5 - 29	8
UB2579001	6 - 5	10	094913120	5 - 22	8
UB2581001	6 - 5	10	163528001	6 - 4	10
UB2583001	6 - 5	10	237703001	2 - 2	2
UB2585001	6 - 5	10	562778000	6 - 3	10
UB2587001	6 - 5	10	575364001	4 - 9	6
UB2589001	6 - 5	10			
UB2591001	6 - 5	10			
UB2593005	4 - 1	6			
UB2594001	4 - 4	6			
UB2595001	4 - 13	6			
UB2596001	2 - 1	2			
UB2597001	6 - 1	10			
UB2600001	6 - 5	10			
UB2602001	6 - 5	10			
UB2604001	6 - 5	10			
UB2606001	6 - 5	10			
UB2608001	6 - 5	10			
UB2689001	2 - 1	2			
U15058000	5 - 46	8			
U15775000	5 - 48	8			
U15861000	5 - 50	8			
U15876000	5 - 49	8			
U15878000	5 - 47	8			
U16735000	5 - 39	8			
U16908000	5 - 15	8			
U33105000	5 - 9	8			
U33546000	5 - 12	8			
U40270000	5 - 14	8			
U41775000	5 - 57	8			
U42459000	5 - 34	8			
U43107000	5 - 56	8			
U62093001	6 - 3	10			
U82235001	4 - 5	6			
U82940000	5 - 8	8			
X51695001	5 - 33	8			
Y23321205	5 - 51	8			
Y43322601	5 - 43	8			
Y44701601	5 - 44	8			
Y81021010	5 - 21	8			
Y81031010	5 - 20	8			
Y81042400	5 - 19	8			
Y81533010	5 - 18	8			
Z23951001	3 - 8	4			
048015346	3 - 7	4			
048020346	3 - 3	4			
062260406	3 - 9	4			
062300405	3 - 21	4			
090102120	5 - 53	8			
090153120	5 - 55	8			

brother[®]