



P-touch

PARTS REFERENCE LIST

**MODEL: PT-1010S/1010R/1010B/1010/
GL200/PT-1010SDT/1010RDT/
1010BDT/1010P1/1010P2/
1010CH/1010BS/7100/7100VP/
1005F**

MECHANISMS & ELECTRONICS

NOTES FOR USING THIS PARTS REFERENCE LIST

1. When ordering parts, inform us of the following items:

- (1) Code
- (2) Q'ty
- (3) Description
- (4) Symbol (PCB No., Revision, and Parts location mounted on the PCB.)

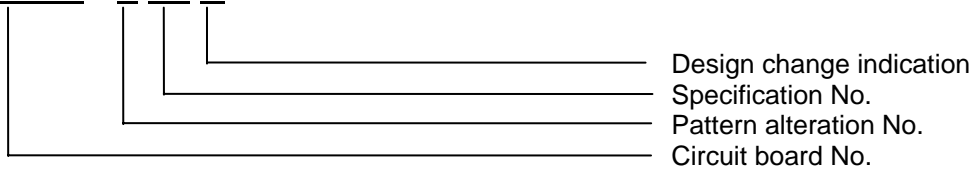
Note : Orders without Parts Code or Tool No. cannot be accepted.

[Example]

REF. NO.	CODE	Q'TY	DESCRIPTION	SYMBOL	REMARKS
					R

Revision No. : marked on the printed circuit board.

B55L178 - 1 01 A



2. Design-changed parts:

When the parts are design-changed, any one of the following symbols is indicated in the REMARKS column.

- CHNG#A: compatible between old and new
- CHNG#B: replaceable from old to new
- CHNG#D: incompatible
- ADD : newly added

3. Parts marked with an "R" in the REMARKS column are recommended spare parts.

4. The original of this list was made based on the information as of Aug 2007.

5. Parts are subject to change in design without prior notice.

COUNTRIES

GERMANY ---- DEU

UNITED KINGDOM ---- GBR

FRANCE ---- FRA

RUSSIA ---- RUS

SWITZERLAND ---- CHE

DENMARK ---- DNK

AUSTRIA ---- AUT

SPAIN ---- ESP

SOUTH AFRICA ---- ZAF

U.S.A. ---- USA

AUSTRALIA ---- AUS

CANADA ---- CAN

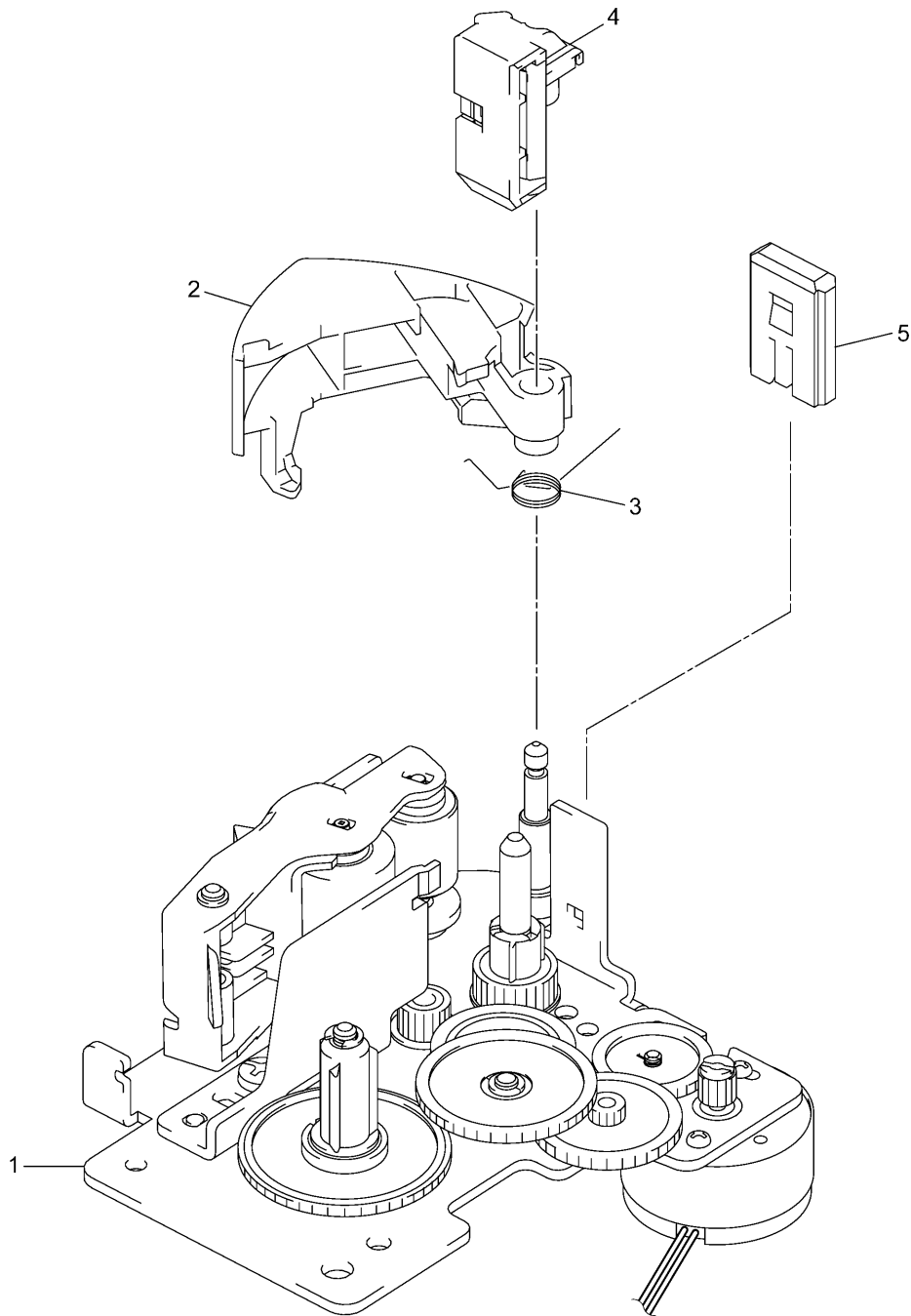
CHINA ---- CHN

ITALY ---- ITA

CONTENTS

1 . PRINT MECHANISM	1
2 . COVERS	3
3 . MAIN PCB / LCD	6
4 . RUBBER KEY	8
5 . SENSORS	8
6 . PRINTED MATTER	10
7 . PACKING MATERIALS	13
8 . ATTACHMENTS	16

1 . PRINT MECHANISM

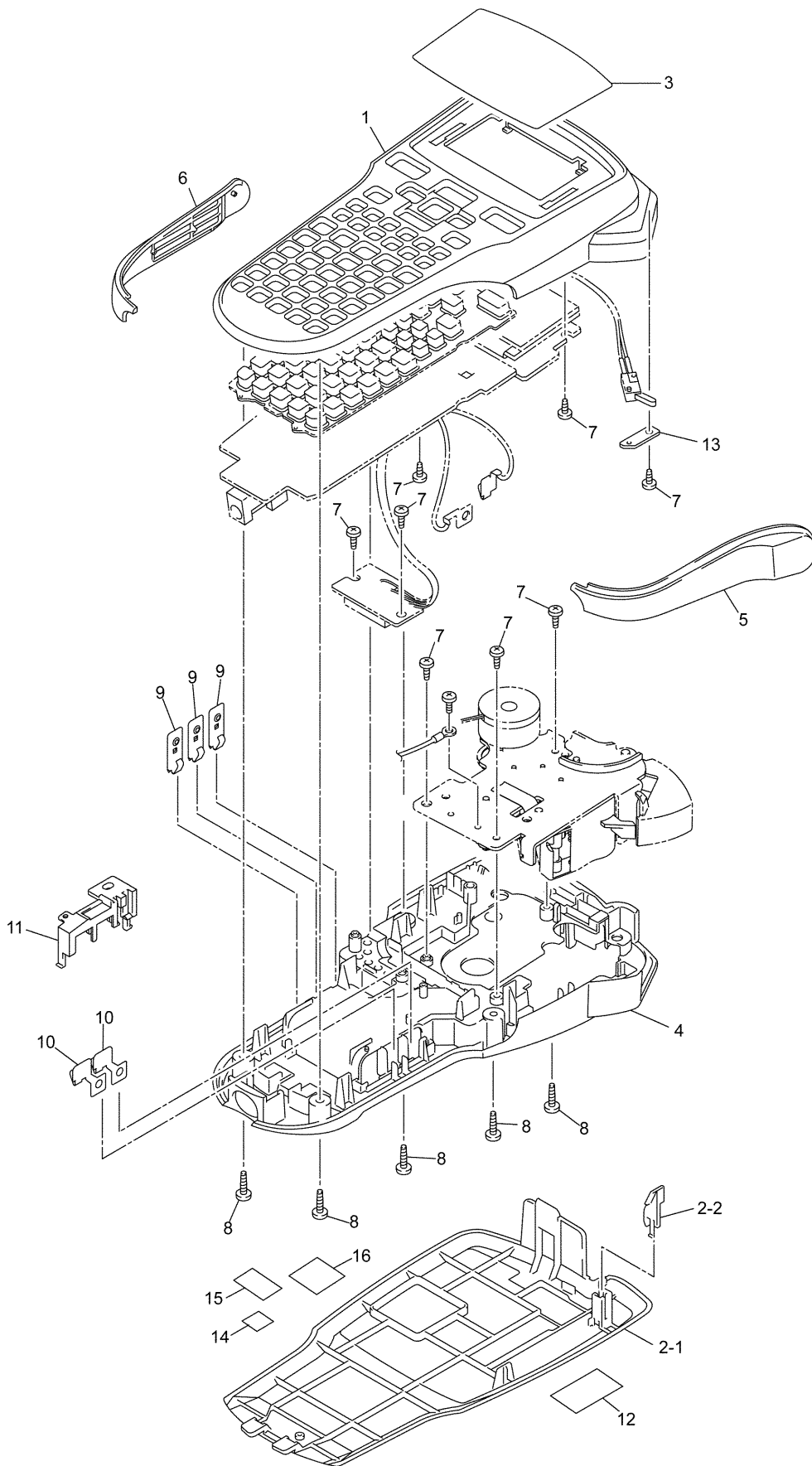


MODEL PT-1010 8V2-356-045

1 . PRINT MECHANISM

REF.NO.	CODE	Q'TY	DESCRIPTION	REMARKS
1	LW2068001	1	FRAME ASSY PT-1010 (SP)	
2	LW1687004	1	CUTTER LEVER 1010, PT-1010BS/1010S/1010SDT	
2	LW1687002	1	CUTTER LEVER 1010, PT-1010R/1010RDT	
2	LW1687003	1	CUTTER LEVER 1010 (GRAY 1691), PT-1010B/1010BDT/7100VP/1005F	
2	LW1687001	1	CUTTER LEVER 1010, PT-1010 FOR USA/CAN/AUS	
2	LW1687005	1	CUTTER LEVER 1010, PT-1010 FOR DEU/GBR/FRA/RUS/CHE/DNK/ AUT/ESP/ZAF	
2	LW1687006	1	CUTTER LEVER 1010, GL200	
2	LW1687007	1	CUTTER LEVER 1010, PT-1010P1/1010P2	
2	LW1687008	1	CUTTER LEVER 1010 (BLACK1854), PT-1010CH/1005F	
2	LW1687009	1	CUTTER LEVER 1010, PT-7100	
3	LW1688001	1	CUTTER LEVER SPRING 1010	
4	LN5644001	1	CUTTER CASE ASSY 1000	
5	LA3203001	1	BOARD	

2. COVERS



MODEL PT-1010 8V2-356-061

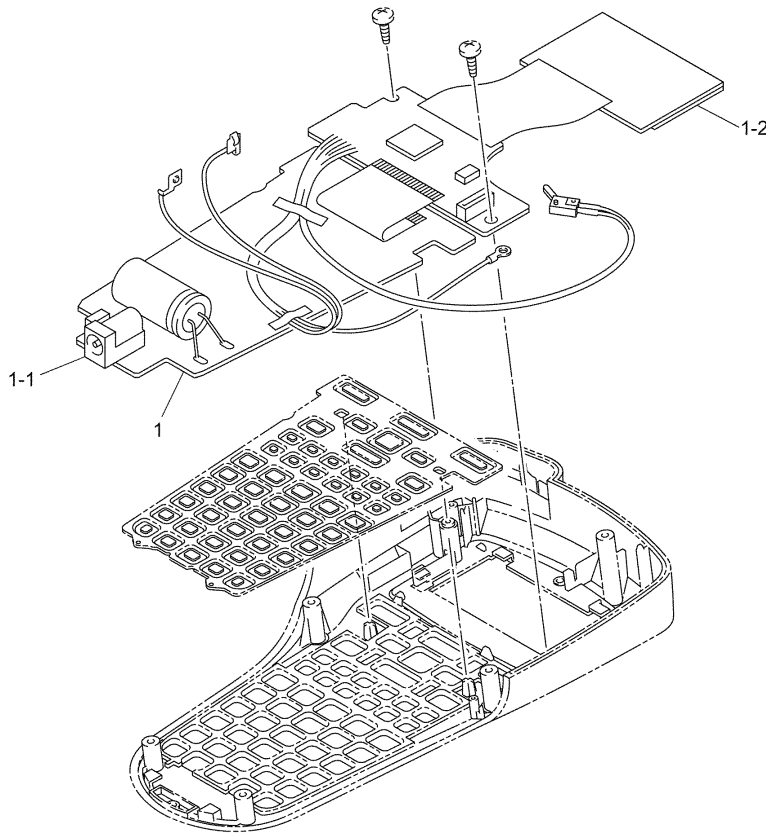
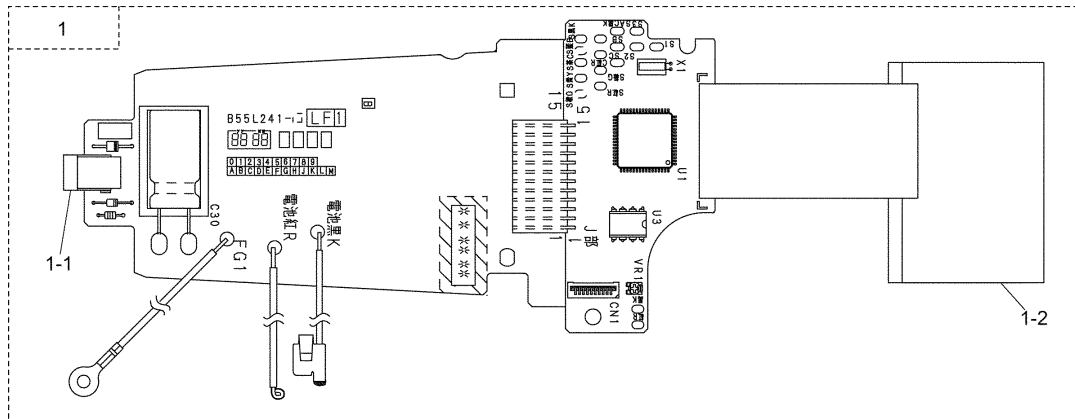
2. COVERS

REF.NO.	CODE	Q'TY	DESCRIPTION	REMARKS
1	LW1679004	1	UPPER COVER 1010, PT-1010S/1010SDT	
1	LW1679002	1	UPPER COVER 1010, PT-1010R/1010RDT	
1	LW1679003	1	UPPER COVER 1010, PT-1010B/1010BDT	
1	LW1679001	1	UPPER COVER 1010, PT-1010 FOR USA/CAN/AUS	
1	LW1679005	1	UPPER COVER 1010, PT-1010 FOR DEU/GBR/FRA/RUS/CHE/DNK/AUT/ ESP/ZAF	
1	LW1679006	1	UPPER COVER 1010, GL200	
1	LW1679007	1	UPPER COVER 1010, PT-1010P1/1010P2	
1	LW1679008	1	UPPER COVER 1010, PT-1010CH	
1	LW1679009	1	UPPER COVER 1010, PT-1010BS	
1	LW1679010	1	UPPER COVER 1010, PT-7100VP	
1	LW1679011	1	UPPER COVER 1010, PT-7100	
1	LW1679012	1	UPPER COVER 1010 (PEARL YELLOW 4229), PT-1005F	
1	LW1679013	1	UPPER COVER 1010 (METALLIC SILVER 1897), PT-1005F	
2-1	LW1681004	1	CASSETTE COVER 1010, PT-1010S/PT-1010SDT	
2-1	LW1681002	1	CASSETTE COVER 1010, PT-1010R/PT-1010RDT	
2-1	LW1681003	1	CASSETTE COVER 1010, PT-1010B/PT-1010BDT	
2-1	LW1681001	1	CASSETTE COVER 1010, PT-1010 FOR USA/CAN/AUS	
2-1	LW1681005	1	CASSETTE COVER 1010, PT-1010 FOR DEU/GBR/FRA/RUS/CHE/DNK/AUT/ ESP/ZAF	
2-1	LW2113001	1	CASSETTE COVER GL200, GL200	
2-1	LW1681006	1	CASSETTE COVER 1010, PT-1010P1/1010P2	
2-1	LW2348001	1	CASSETTE COVER 1010 CHN, PT-1010CH	
2-1	LW1681007	1	CASSETTE COVER 1010, PT-1010BS	
2-1	LW3358001	1	CASSETTE COVER 7100, PT-7100VP	
2-1	LW3358002	1	CASSETTE COVER 7100, PT-7100	
2-1	LW3713001	1	CASSETTE COVER PT-1005, PT-1005F	
2-2	LN6779001	1	HOLDER CAM 1280	
3	LW1757001	1	LCD PANEL 1010 M, PT-1010BS/1010S/1010SDT	
3	LW1755001	1	LCD PANEL 1010 ST, PT-1010R/1010RDT	
3	LW1756001	1	LCD PANEL 1010 D, PT-1010B/1010BDT	
3	LW1686001	1	LCD PANEL 1010 US, PT-1010 FOR USA/CAN/AUS	
3	LW1758001	1	LCD PANEL 1010 EU, PT-1010 FOR DEU/GBR/FRA/RUS/CHE/DNK/AUT/ ESP/ZAF	
3	LW2111001	1	LCD PANEL GL200, GL200	
3	LW2295001	1	LCD PANEL 1010 AUS, PT-1010P1/1010P2	
3	LW2349001	1	LCD PANEL 1010 CHN, PT-1010CH	
3	LW3432001	1	LCD PANEL 7100 US, PT-7100	
3	LW3359001	1	LCD PANEL 7100 EU, PT-7100VP	
3	LW3604001	1	LCD PANEL PT-1005, PT-1005F	
4	LW1680004	1	BOTTOM COVER 1010, PT-1010S/1010SDT	
4	LW1680002	1	BOTTOM COVER 1010, PT-1010R/1010RDT	
4	LW1680003	1	BOTTOM COVER 1010, PT-1010B/1010BDT	
4	LW1680001	1	BOTTOM COVER 1010, PT-1010 FOR USA/CAN/AUS	
4	LW1680005	1	BOTTOM COVER 1010, PT-1010 FOR DEU/GBR/FRA/RUS/CHE/DNK/AUT/ ESP/ZAF	
4	LW1680006	1	BOTTOM COVER 1010, GL200	
4	LW1680007	1	BOTTOM COVER 1010, PT-1010P1/1010P2	
4	LW1680008	1	BOTTOM COVER 1010, PT-1010CH	
4	LW1680009	1	BOTTOM COVER 1010, PT-1010BS	
4	LW1680010	1	BOTTOM COVER 1010, PT-7100VP	
4	LW1680011	1	BOTTOM COVER 1010, PT-7100	
4	LW1680012	1	BOTTOM COVER 1010 (YELLOW 4196), PT-1005F	
4	LW1680013	1	BOTTOM COVER 1010 (YELLOW 4168), PT-1005F	
5	LW1682001	1	SIDE GRIP R 1010, PT-1010/1010BS/1010S/1010SDT/1010P1/1010P2/1010B/ 1010BDT/1010CH/GL200/7100VP	
5	LW1682002	1	SIDE GRIP R 1010, PT-1010R/1010RDT/7100	
5	LW1682003	1	SIDE GRIP R 1010, PT-1005F	
6	LW1684001	1	SIDE GRIP L 1010, PT-1010/1010BS/1010S/1010SDT/1010P1/1010P2/1010B/ 1010BDT/1010CH/GL200/7100VP	
6	LW1684002	1	SIDE GRIP L 1010, PT-1010R/1010RDT/7100	
6	LW1684003	1	SIDE GRIP L 1010, PT-1005F	
7	085270616	8	TAPTITE BIND B M2.6X6	
8	085271017	5	TAPTITE BIND B M2.6X10	
9	LA3867000	3	BATTERY TERMINAL A (+ -)	
10	LA3228000	2	BATTERY TERMINAL B (+ -)	
11	LW1689001	1	TERMINAL PRESS COVER 1010	

2 . COVERS

REF.NO.	CODE	Q'TY	DESCRIPTION	REMARKS
12	LW1831001	1	FUNCTION LABEL 1010 US, PT-1010 FOR USA/AUS, PT-1010BS/1010S/ 1010SDT/1010P1/1010P2/1010R/1010RDT/1010B/1010BDT/7100	
12	LW1832001	1	FUNCTION LABEL 1010 EU, PT-1010 FOR DEU/GBR/FRA/RUS/CHE/DNK/ AUT/ESP/ZAF/CAN, GL200, PT-7100VP/1005F	
12	LW2343001	1	FUNCTION LABEL 1010 CHN, PT-1010CH	
13	LA8035001	1	SW HOLD PLATE	
14	LW0985001	1	CHINA ROHS STICKER 10, PT-1010CH	
15	LW1476001	1	CHINA PRODUCTION DATE LABEL, PT-1010CH	
16	LW2140001	1	GOST LABEL PT-1010 RUS, PT-1010 FOR RUS	

3. MAIN PCB / LCD



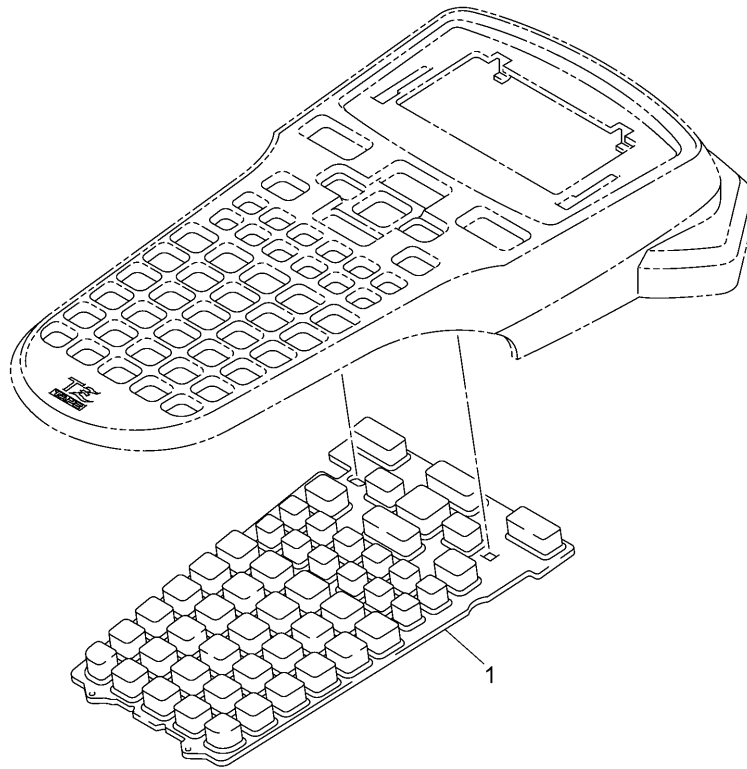
SPEC	Solder points		
	S1	S2	S3
DEU	High (Open)	High (Open)	Low (Closed)
FRA	Low (Closed)	High (Open)	High (Open)
GBR	Low (Closed)	High (Open)	High (Open)
USA	High (Open)	High (Open)	High (Open)

Head rank	Solder points		
	SA	SB	SC
A	Low (Closed)	High (Open)	High (Open)
B	High (Open)	Low (Closed)	High (Open)
C	High (Open)	High (Open)	Low (Closed)

3 . MAIN PCB / LCD

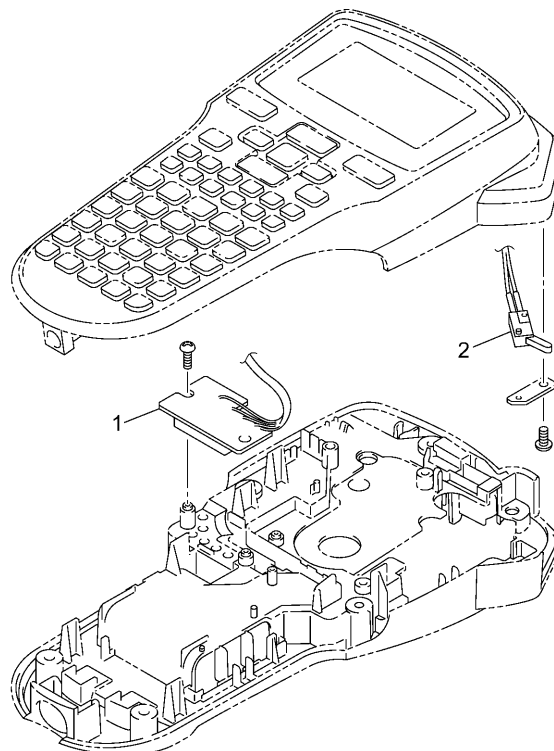
REF.NO.	CODE	Q'TY	DESCRIPTION	SYMBOL	REMARKS
1	LW2107001	1	MAIN PCB ASSY PT-1010, PT-1010 FOR USA/CAN, PT-1010S FOR USA, PT-101BS/1010SDT/1010R/1010RDT/1010B/1010BDT	B55L241-111B	R/chng#B
1	LW2107002	1	MAIN PCB ASSY PT-1010, PT-1010 FOR GBR/FRA/CHE/DNK/AUT/ESP/ZAF/AUS, PT-1010S FOR AUS, PT-1010P1/1010P2, GL200 FOR GBR, PT-1005F FOR GBR/FRA/DNK/AUT/ITA/ESP	B55L241-112B	R/chng#B
1	LW2107004	1	MAIN PCB ASSY PT-1010, PT-1010/1005F/GL200 FOR DEU	B55L241-114B	R
1	LW2328001	1	MAIN PCB ASSY PT-1010 CHN, PT-1010CH	B55L241-2	R
1	LW3349001	1	MAIN PCB ASSY 1010 RUS, PT-1010 FOR RUS	B55L241-221B	R
1	LW3360004	1	MAIN PCB ASSY PT-7100, PT-7100VP FOR DEU	B55L241-134A	R
1	LW3360002	1	MAIN PCB ASSY PT-7100, PT-7100VP FOR GBR/FRA/CHE/DNK/AUT/ESP/ZAF	B55L241-132A	R
1	LW3360001	1	MAIN PCB ASSY PT-7100, PT-7100	B55L241-131A	R
1-1	W00325001	1	JACK: HEC0470		
1-2	LW2346001	1	LCDM: MGGF01607Z, PT-1010CH		

4 . RUBBER KEY



MODEL PT-1010 8V2-356-003

5 . SENSORS



4 . RUBBER KEY

REF.NO.	CODE	Q'TY	DESCRIPTION	REMARKS
1	LW1678004	1	RUBBER 51 KEY 1010 US, PT-1010S/1010SDT	
1	LW1678002	1	RUBBER 51 KEY 1010 US, PT-1010R/1010RDT	
1	LW1678003	1	RUBBER 51 KEY 1010 US, PT-1010B/1010BDT	
1	LW1678001	1	RUBBER 51 KEY 1010 US, PT-1010 FOR USA/AUS	
1	LW1678007	1	RUBBER 51 KEY 1010 US, PT-7100	
1	LW1746002	1	RUBBER 51 KEY 1010 EU, PT-1010 FOR CAN	
1	LW1746001	1	RUBBER 51 KEY 1010 EU, PT-1010 FOR DEU/GBR/FRA/CHE/DNK/AUT/ ESP/ZAF	
1	LW1746003	1	RUBBER 51 KEY 1010 EU, GL200	
1	LW1746004	1	RUBBER 51 KEY 1010 EU, PT-7100VP	
1	LW1746005	1	RUBBER 51 KEY 1010 EU, PT-1005F *1	
1	LW1746006	1	RUBBER 51 KEY 1010 EU, PT-1005F *2	
1	LW1678005	1	RUBBER 51 KEY 1010 US, PT-1010P1/1010P2	
1	LW2347001	1	RUBBER 51 KEY 1010 CHN, PT-1010CH	
1	LW1678006	1	RUBBER 51 KEY 1010 US, PT-1010BS	
1	LW3344001	1	RUBBER 51 KEY 1010 RUS, PT-1010 FOR RUS	
			*1 The printing color of alphabets: BROWN (87505) *2 The printing color of alphabets: BLACK (010)	

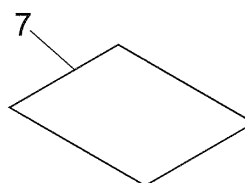
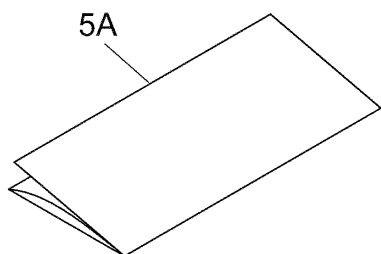
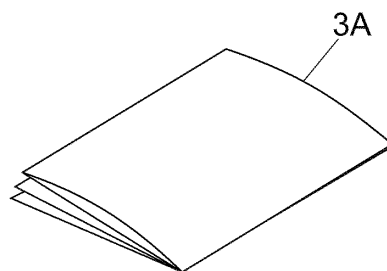
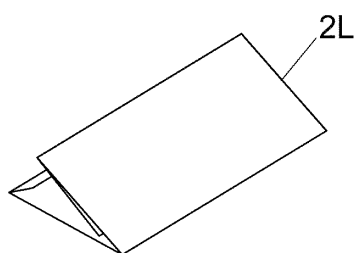
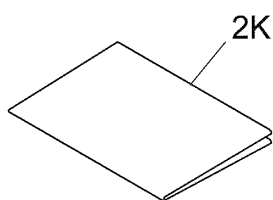
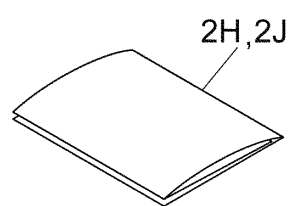
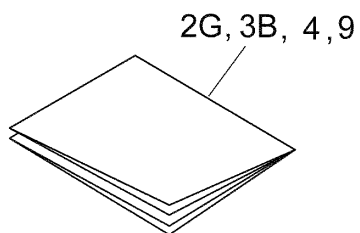
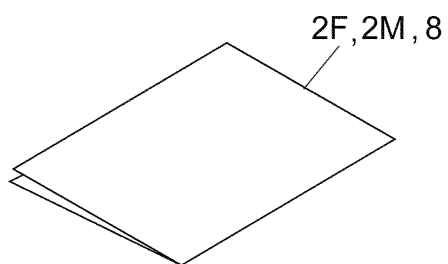
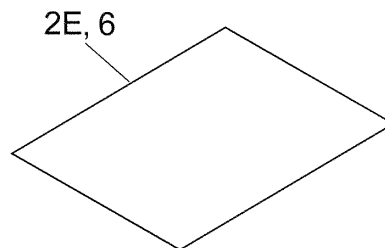
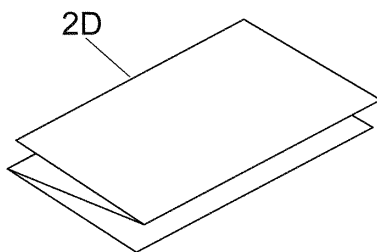
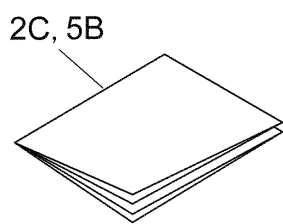
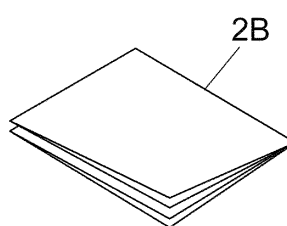
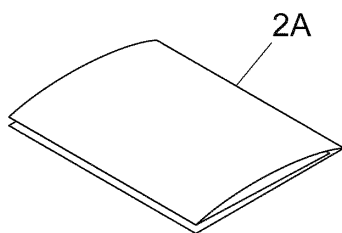
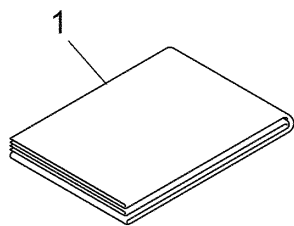
MODEL PT-1010 8V2-356-003

5 . SENSORS

REF.NO.	CODE	Q'TY	DESCRIPTION	SYMBOL	REMARKS
1	LW3582001	1	CASSETTE SENSOR PCB ASSY 1010	B55L242	CHNG#A
2	LW1740001	1	CUTTER SENSOR ASSY 1010	MLS-42AU	R

MODEL PT-1010 8V2-356-100

6 . PRINTED MATTER



6 . PRINTED MATTER

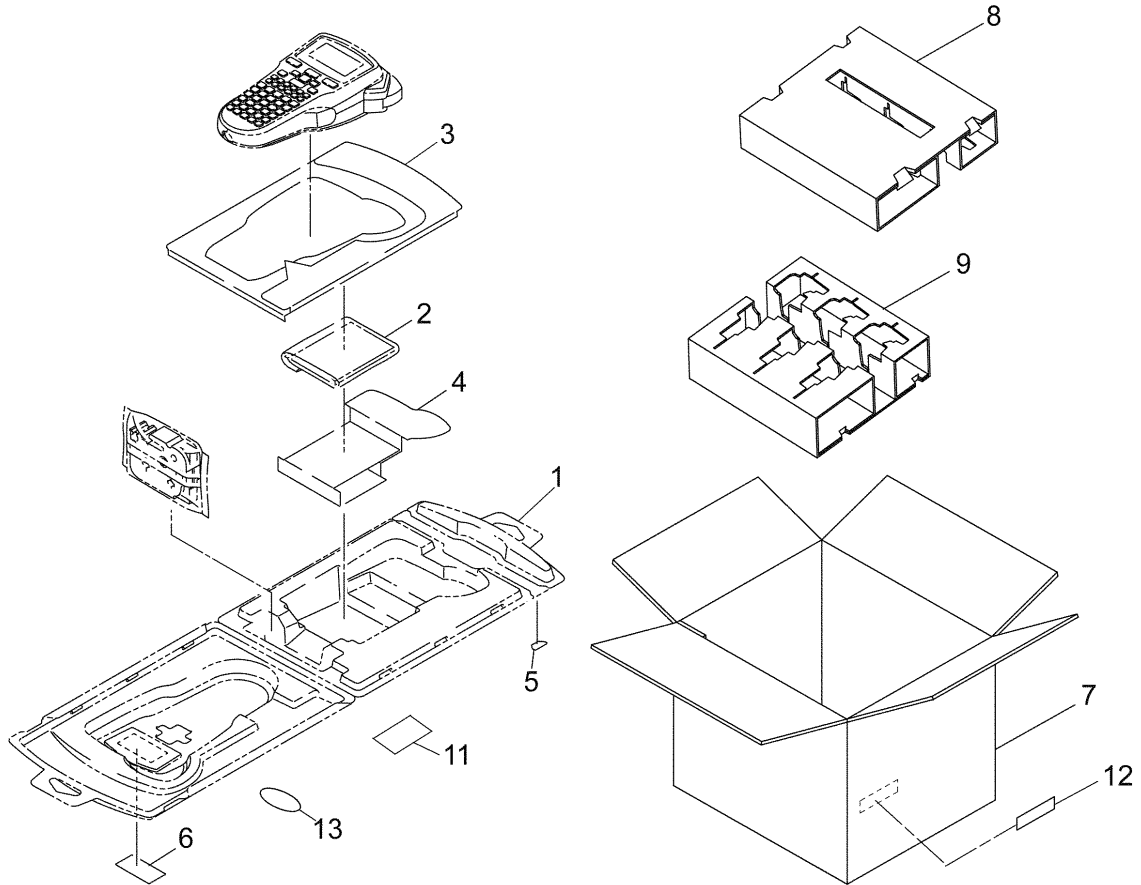
REF.NO.	CODE	Q'TY	DESCRIPTION	SYMBOL	REMARKS
1	LW1907001	1	USER'S MANUAL 1010 USA, PT-1010/1010S FOR USA, PT-1010BS/1010SDT/1010R/1010RDT/1010B/1010BDT		
1	LW1910001	1	USER'S MANUAL 1010 AUS, PT-1010/1010S FOR AUS, PT-1010P1/1010P2		
1	LW1952001	1	USER'S MANUAL 1010 CAN ENG/FRA, PT-1010 FOR CAN		
1	LW2058001	1	USER'S MANUAL 1010 GERMAN, PT-1010 FOR DEU/FRA, GL200 FOR DEU		
1	LW2056001	1	USER'S MANUAL 1010 UK.ENG, PT-1010 FOR GBR/ZAF, GL200 FOR GBR		
1	LW2059001	1	USER'S MANUAL 1010 FRA/DUTCH, PT-1010 FOR FRA/CHE		
1	LW2066001	1	USER'S MANUAL 1010 ITA/CHE.GER, PT-1010 FOR CHE		
1	LW2064001	1	USER'S MANUAL 1010 NOR/FIN, PT-1010 FOR DNK		
1	LW2065001	1	USER'S MANUAL 1010 SWE/DEN, PT-1010 FOR DNK		
1	LW2060001	1	USER'S MANUAL 1010 GERMAN/ENG, PT-1010 FOR AUT		
1	LW2061001	1	USER'S MANUAL 1010 EU 1 (CROATIAN/SLOVENIAN/SLOVAK/RUMANIAN), PT-1010 FOR AUT		
1	LW2062001	1	USER'S MANUAL 1010 EU 2 (CZECH/POLISH/HUNGARIAN), PT-1010 FOR AUT		
1	LW2063001	1	USER'S MANUAL 1010 SPA/POR, PT-1010 FOR ESP		
1	LW2327001	1	USER'S MANUAL PT-1010 CHINESE, PT-1010CH		
1	LW3345001	1	USER'S MANUAL 1010 RUSSIA, PT-1010 FOR RUS		
1	LW3522001	1	USER'S MANUAL 7100 USA, PT-7100		
1	LW3362001	1	USER'S MANUAL 7100 GERMAN, PT-7100VP FOR DEU/FRA		
1	LW3363001	1	USER'S MANUAL 7100 UK.ENG, PT-7100VP FOR GBR/ZAF		
1	LW3364001	1	USER'S MANUAL 7100 FRA/DUTCH, PT-7100VP FOR FRA/CHE		
1	LW3365001	1	USER'S MANUAL 7100 ITA/CHE.GER, PT-7100VP FOR CHE		
1	LW3366001	1	USER'S MANUAL 7100 NOR/FIN, PT-7100VP FOR DNK		
1	LW3367001	1	USER'S MANUAL 7100 SWE/DEN, PT-7100VP FOR DNK		
1	LW3369001	1	USER'S MANUAL 7100 GERMAN/ENG, PT-7100VP FOR AUT		
1	LW3370001	1	USER'S MANUAL 7100 CR/SK/SL/RO, PT-7100VP FOR AUT		
1	LW3371001	1	USER'S MANUAL 7100 CS/PL/HU, PT-7100VP FOR AUT		
1	LW3368001	1	USER'S MANUAL 7100 SPA/POR, PT-7100VP FOR ESP		
1	LW3725001	1	USER'S MANUAL 1005 GERMAN, PT-1005F FOR DEU		
1	LW3715001	1	USER'S MANUAL 1005 UK.ENG, PT-1005F FOR GBR		
1	LW3731001	1	USER'S MANUAL 1005 FRA/DUTCH, PT-1005F FOR FRA/ITA		
1	LW3740001	1	USER'S MANUAL 1005 NOR/FIN, PT-1005F FOR DNK		
1	LW3741001	1	USER'S MANUAL 1005 SWE/DEN, PT-1005F FOR DNK		
1	LW3728001	1	USER'S MANUAL 1005 GERMAN/ENG, PT-1005F FOR AUT		
1	LW3729001	1	USER'S MANUAL 1005 CR/SK/SL/RO, PT-1005F FOR AUT		
1	LW3730001	1	USER'S MANUAL 1005 CS/PL/HU, PT-1005F FOR AUT		
1	LW3745001	1	USER'S MANUAL 1005 ITA/CHE GER, PT-1005F FOR ITA		
1	LW3736001	1	USER'S MANUAL 1005 SPA/POR, PT-1005F FOR ESP		
2A	LN9325001	1	WARRANTY CARD USA CH, PT-1010/1010S FOR USA, PT-1010BS/1010SDT/1010R/1010RDT/1010B/1010BDT/7100		
2B	LW3356001	1	1YEAR WARRANTY CARD, PT-1010 FOR CAN		CHNG#B
2C	LA1661001	1	WARRANTY CARD EURO CH, PT-1010/7100VP/1005F FOR DEU/GBR/FRA/CHE/DNK/AUT/ESP, GL200		CHNG#B
2D	LM4756001	1	WARRANTY CARD IRE, PT-1010/7100VP/1005F/GL200 FOR GBR		
2E	LW2661001	1	WARRANTY CARD FRA, PT-1010/7100VP/1005F FOR FRA		chng#A
2F	LM2019001	1	WARRANTY CARD SWE/NOR, PT-1010/7100VP/1005F FOR DNK		
2G	LW3135001	1	CEE WARRANTY CARD, PT-1010/7100VP/1005F FOR AUT		CHNG#A
2H	LJ5400001	1	WARRANTY CARD SPA, PT-1010/7100VP/1005F FOR ESP		
2J	LM2652001	1	WARRANTY CARD POR, PT-1010/7100VP FOR ESP		
2K	LW2157001	1	3YEAR WARRANTY CARD UK, PT-1010/7100VP/1005F/GL200 FOR GBR		
2K	LF4280001	1	3YEAR GUARANTEE CARD GER, PT-1010/7100VP/1005F/GL200 FOR DEU		
2L	LW3773001	1	WARRANTY CARD CHINA, PT-1010CH		CHNG#B
2M	LF6085001	1	WARRANTY CARD RUSSIA, PT-1010 FOR RUS		
3A	LN9950001	1	ACCESSORY ORDER FORM LIST, PT-1010/1010S FOR USA, PT-1010BS/1010SDT/1010R/1010RDT/1010B/1010BDT/7100		
3B	LA7938001	1	1180 ACCESSORY ORDER FORM CACH, PT-1010 FOR CAN		
4	LN6297001	1	REGISTER INSERTION US CH, PT-1010/1010S FOR USA, PT-1010BS/1010SDT/1010R/1010RDT/1010B/1010BDT/7100		
5A	LN2976001	1	TAPE CATALOG 9500 US, PT-1010/1010S FOR USA, PT-1010BS/1010SDT/1010R/1010RDT/1010B/1010BDT/7100		

6 . PRINTED MATTER

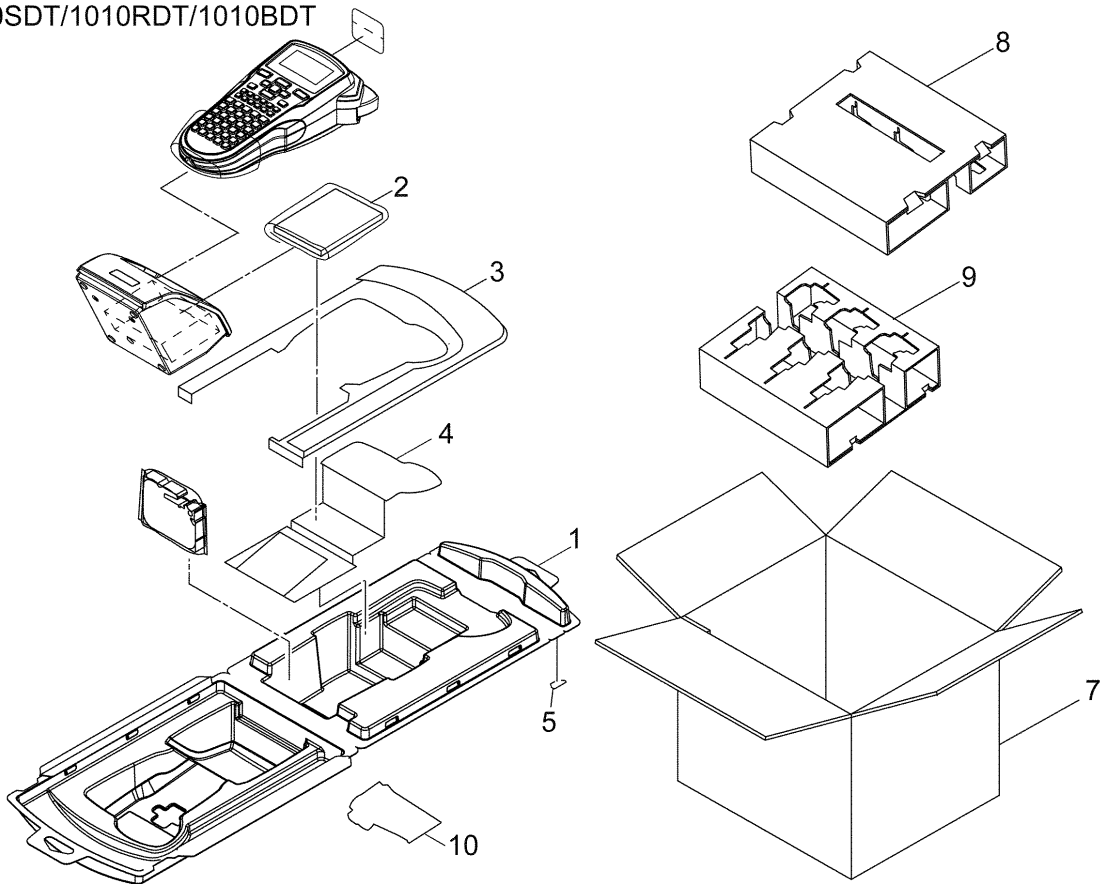
REF.NO.	CODE	Q'TY	DESCRIPTION	SYMBOL	REMARKS
5B	LN7630001	1	TAPE CATALOG AUS, PT-1010/1010S FOR AUS, PT-1010P1/1010P2		
5B	LW3931001	1	TAPE CATALOG EU, PT-1010 FOR DEU/GBR/FRA/RUS/CHE/DNK/AUT/ESP/ZAF, GL200, PT-1005F		CHNG#A
5B	LW0869001	1	TAPE CATALOG PT-2700CHN, PT-1010CH		
6	LN7251001	1	EEE INSERTION CH, PT-1010 FOR DEU/GBR/FRA/RUS/CHE/DNK/AUT/ESP/ZAF, GL200, PT-7100VP/1005F		
7	LW2151001	1	INSERTION GL200, GL200		
8	LW3533001	1	FLAGGING INSERTION US, PT-7100		
9	LW3694001	1	APPLICATION GUIDE, PT-7100VP		

7 . PACKING MATERIALS

PT-1010/1010S/1010R/1010B/1010P1/1010P2/1010CH/1010BS/GL200



PT-1010SDT/1010RDT/1010BDT



MODEL PT-1010 8V2-356-930

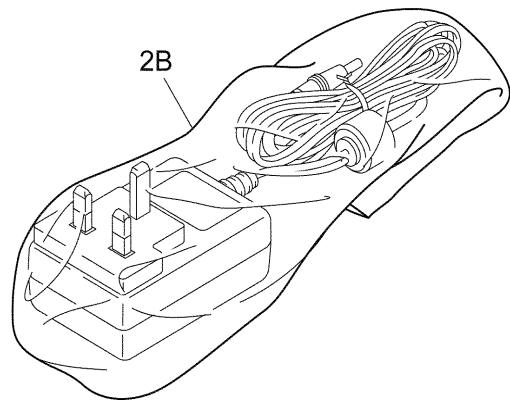
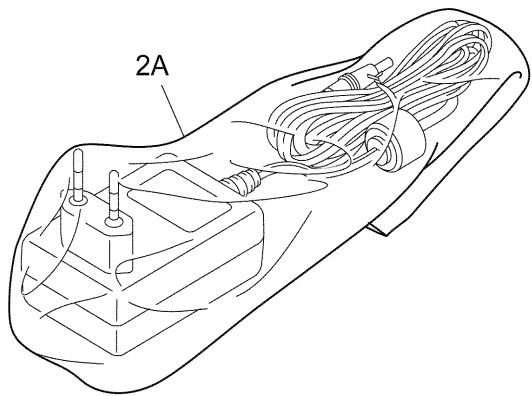
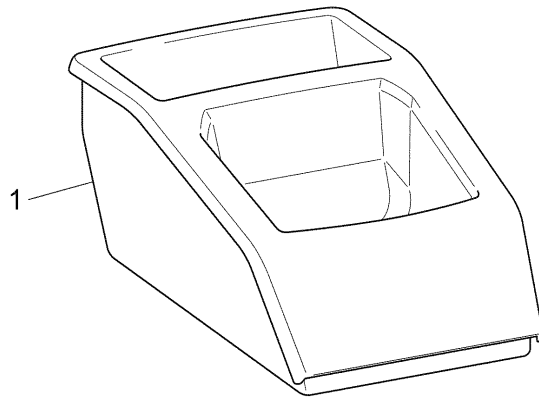
7 . PACKING MATERIALS

REF.NO.	CODE	Q'TY	DESCRIPTION	SYMBOL	REMARKS
1	LW1741000	1	CLAM SHELL ASSY 1010, PT-1010/1010BS/1010S/1010P1/1010P2/1010R/1010B/1010CH/GL200		
1	LW2164000	1	CLAM SHELL ASSY 1010, PT-1010SDT/1010RDT/1010BDT		
	LW3129001	1	CLAM SHELL UPPER 7100, PT-7100		
	LW3132001	1	CLAM SHELL LOWER 7100, PT-7100		
	LW3717000	1	UPPER PACK SHELL PT-1005, PT-1005F		
	LW3724000	1	UPPER PACK SHELL PT-1005, PT-1005F		
2	LA7456001	1	PE BAG 130X250 (FOR USER'S MANUAL)		
3	LW3541001	1	COMMERCIAL SHEET 1010EU, PT-1010 FOR DEU/GBR/FRA/CHE/DNK/AUT/ESP/ZAF		CHNG#B
3	LW1957001	1	COMMERCIAL SHEET 1010S US, PT-1010S FOR USA		add
3	LW1955001	1	COMMERCIAL SHEET 1010R US, PT-1010R		add
3	LW1956001	1	COMMERCIAL SHEET 1010B US, PT-1010B		add
3	LW1742001	1	COMMERCIAL SHEET 1010 US, PT-1010 FOR USA		add
3	LW1911001	1	COMMERCIAL SHEET 1010 AUS, PT-1010 FOR AUS		add
3	LW3040001	1	COMMERCIAL SHEET 1010S AUS, PT-1010S FOR AUS		add
3	LN9716001	1	COMMERCIAL SHEET 1010BS US, PT-1010BS		
3	LW2220001	1	COMMERCIAL SHEET 1010SDT US, PT-1010SDT		add
3	LW2217001	1	COMMERCIAL SHEET 1010RDT US, PT-1010RDT		add
3	LW2222001	1	COMMERCIAL SHEET 1010BDT US, PT-1010BDT		add
3	LW3352001	1	COMMERCIAL SHEET 1010P AUS, PT-1010P1/1010P2		CHNG#B
3	LW1953001	1	COMMERCIAL SHEET 1010CA, PT-1010 FOR CAN		add
3	LW2350001	1	COMMERCIAL SHEET 1010CHN, PT-1010CH		
3	LW3542001	1	COMMERCIAL SHEET GL200 GBR/DEU, GL200		CHNG#B
3	LW3346001	1	COMMERCIAL SHEET 1010 RUS, PT-1010 FOR RUS		
3	LW3726001	1	COMMERCIAL SHEET 1005 DEU/AUT, PT-1005F FOR DEU/AUT		
3	LW3719001	1	COMMERCIAL SHEET 1005 GBR, PT-1005F FOR GBR		
3	LW3732001	1	COMMERCIAL SHEET 1005 FRA, PT-1005F FOR FRA		
3	LW3749001	1	COMMERCIAL SHEET 1005 DNK, PT-1005F FOR DNK		
3	LW3746001	1	COMMERCIAL SHEET 1005 ITA, PT-1005F FOR ITA		
3	LW3737001	1	COMMERCIAL SHEET 1005 ESP, PT-1005F FOR ESP		
4	LW1958001	1	APPLICATION CARD 1010S US, PT-1010/1010S FOR USA, PT-1010B	A	
4	LW1959001	1	APPLICATION CARD 1010R US, PT-1010R	A	
4	LW1912001	1	APPLICATION CARD 1010 AUS, PT-1010 FOR AUS		chng#B
4	LW3041001	1	APPLICATION CARD 1010S AUS, PT-1010S FOR AUS		add
4	LW1954001	1	APPLICATION CARD 1010 CA, PT-1010 FOR CAN		
4	LW1877001	1	APPLICATION CARD 1010 EU, PT-1010 FOR DEU/GBR/FRA/CHE/DNK/AUT/ESP/ZAF		
4	LW2116001	1	APPLICATION CARD GL200, GL200		
4	LW2224001	1	APPLICATION CARD 1010SDT US, PT-1010SDT		
4	LW2218001	1	APPLICATION CARD 1010RDT US, PT-1010RDT		
4	LW2223001	1	APPLICATION CARD 1010BDT US, PT-1010BDT		
4	LW2297001	1	APPLICATION CARD 1010P AUS, PT-1010P1/1010P2		
4	LW2351001	1	APPLICATION CARD 1010 CHN, PT-1010CH		
4	LN9717001	1	APPLICATION CARD 1010BS US, PT-1010BS		
4	LW3347001	1	APPLICATION CARD 1010 RUS, PT-1010 FOR RUS		
4	LW3727001	1	APPLICATION CARD 1005 DEU/AUT, PT-1005F FOR DEU/AUT		
4	LW3720001	1	APPLICATION CARD 1005 GBR, PT-1005F FOR GBR		
4	LW3733001	1	APPLICATION CARD 1005 FRA, PT-1005F FOR FRA		
4	LW3750001	1	APPLICATION CARD 1005 DNK, PT-1005F FOR DNK		
4	LW3747001	1	APPLICATION CARD 1005 ITA, PT-1005F FOR ITA		
4	LW3738001	1	APPLICATION CARD 1005 ESP, PT-1005F FOR ESP		
5	LW1820001	1	EASY OPEN LABEL, PT-1010/1010S FOR USA, PT-1010BS/1010SDT/1010R/1010RDT/1010B/1010BDT		
6	LW1909001	1	LCD MYLAR LABEL 1010 HS, PT-1010 FOR USA/AUS, PT-1010BS/1010S/1010SDT/1010R/1010RDT/1010B/1010BDT/7100		
6	LW1747001	1	LCD MYLAR LABEL 1010 EU, PT-1010 FOR DEU/GBR/FRA/RUS/CHE/DNK/AUT/ESP/ZAF/CAN		
7	LW1743001	1	CARTON (X3) PT1010, PT-1010 FOR DEU/GBR/FRA/RUS/CHE/DNK/AUT/ESP/ZAF, GL200		add
7	LW2233001	1	CARTON (X3) PT1010DT, PT-1010SDT/1010RDT/1010BDT		add
7	LW3216001	1	CARTON (X3) PT1010 US, PT-1010 FOR USA/CAN/AUS, PT-1010BS/1010S/1010P1/1010P2/1010R/1010B/1010CH		ADD

7 . PACKING MATERIALS

REF.NO.	CODE	Q'TY	DESCRIPTION	SYMBOL	REMARKS
7	LW3525001	1	CARTON (X3) PT7100 US, PT-7100		
7	LW3373001	1	CARTON (X3) PT-7100, PT-7100VP		
8	LW1744000	1	PAD UPPER 1010, PT-1010/1010BS/1010S/1010P1/ 1010P2/1010R/1010B/1010CH/GL200		add
8	LW2234000	1	PAD UPPER 1010DT, PT-1010SDT/1010RDT/1010BDT		add
8	LW3710000	1	PAD UPPER R PT-1005, PT-1005F		
8	LW3775000	1	PAD UPPER L PT-1005, PT-1005F		
9	LW1745000	1	PAD LOWER 1010, PT-1010/1010BS/1010S/1010P1/ 1010P2/1010R/1010B/1010CH/GL200		add
9	LW2235000	1	PAD LOWER 1010DT, PT-1010SDT/1010RDT/1010BDT		add
9	LW3379000	1	PAD LOWER 7100, PT-7100VP		
9	LW3711000	1	PAD LOWER PT-1005, PT-1005F		
10	LN7055001	1	STICKER PT1010DT, PT-1010RDT		
11	LN6939001	1	AUSTRIA LABEL SMALL, PT-1010/7100VP/1005F FOR AUT		add
12	UN8891001	1	C-TICK MARK, PT-1010/1010S FOR AUS, PT-1010P1/ 1010P2		add
13	LW2323001	1	LAMINATED STICKER 1010P1, PT-1010P1		
13	LW2324001	1	FABRIC STICKER 1010P2, PT-1010P2		
	LW3514001	1	CE LABEL 18X15, PT-1010 FOR RUS		
	LW3524001	1	CARTON PT-7100 US, PT-7100		
	LW3372001	1	CARTON PT-7100 EU, PT-7100VP		
	LW3353001	1	CARRYING CASE 7100, PT-7100VP		
	LN7473001	1	PE BAG 1280VP (FOR CARRYING CASE), PT-7100VP		
	LA6496001	1	BAG 230X280 (FOR BODY), PT-7100VP		
	LW3380000	1	CASSETTE SPACER 7100, PT-7100VP		
	LW3378000	1	PAD PT-7100 CC, PT-7100VP		
	LW3705001	1	DISPLAY STAND PT-1005, PT-1005F		
	LW3708001	1	POP BOARD PT-1005, PT-1005F		
	LW3721001	1	PT-1005 STICKER DE/FR/NL/IT, PT-1005F FOR DEU/FRA/ITA		
	LW3739001	1	PT-1005 STICKER EN/DE/ES/PT, PT-1005F FOR GBR/AUT/ESP		
	LW3744001	1	PT-1005 STICKER NORDIC, PT-1005F FOR DNK		
	LW3704001	1	CARTON (X4) PT-1005, PT-1005F		

8 . ATTACHMENTS



8 . ATTACHMENTS

REF.NO.	CODE	Q'TY	DESCRIPTION	SYMBOL	REMARKS
1	LW2221001	1	STAND ASSY 1010, PT-1010SDT/1010RDT/1010BDT		
2A	LW1493001	1	ADAPTER AD-24 EC, PT-7100VP FOR DEU/FRA/CHE/DNK/AUT/ESP/ZAF		
2B	LW1633001	1	ADAPTER AD-24 UK, PT-7100VP FOR GBR		

MODEL PT-1010 8V2-356-910

brother®

August, 2007
PL-PT003

Revised
Ver. D-1