



P-touch

PARTS REFERENCE LIST

MODEL: PT-1100/1100C/1170CC

PT-1180/1180M/1190/11Q

ST-1150 (Heavy Duty Labeler™)

REVISED 1

MECHANISMS & ELECTRONICS

NOTES FOR USING THIS PARTS REFERENCE LIST

1. In the case of ordering parts, it needs mentioning the following items:

- (1) Code
- (2) Q'ty
- (3) Description
- (4) Symbol (PCB No., Revision , and Parts location mounted on the PCB.)

Note : No orders without Parts Code or Tool No. can be accepted.

[Example]

| REF. NO. | SYMBOL | CODE | Q'TY | DESCRIPTION | REMARKS |
|----------|----------|----------|----------|-------------|---------|
| | (4) ⋮ | (1) ⋮ | (2) ⋮ | (3) ⋮ | |

Revision No. : marked on the printed circuit board.

B55L076 - 1 01 A



2. Design-changed parts:

When the parts are changed, any one of the following symbols is indicated in the REMARKS column.

- CHNG#A : compatible between old and new
- CHNG#B : replaceable from old to new
- CHNG#D : incompatible
- ADD : newly established

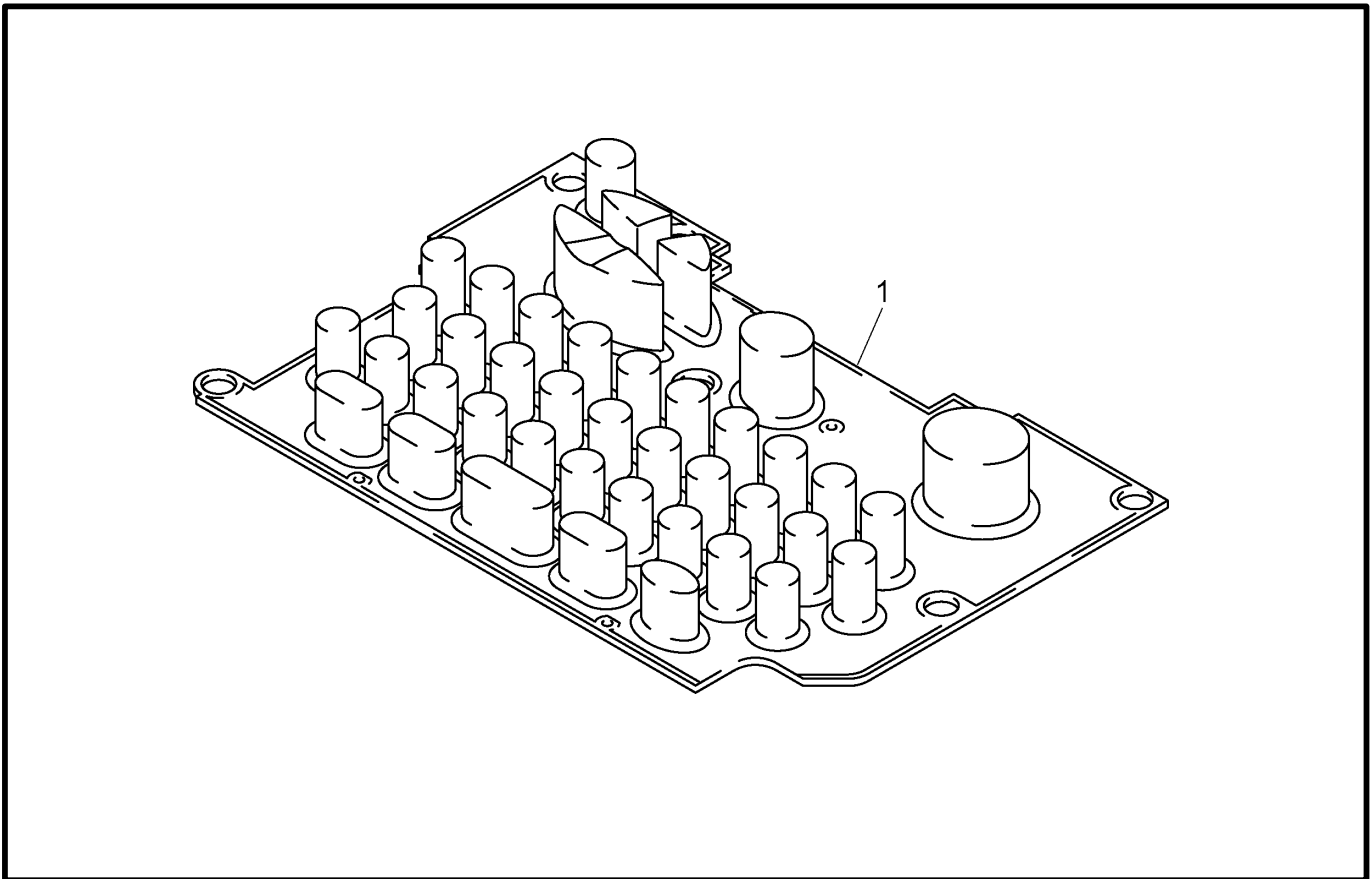
3. The original of this list was made based on the information available in June, 2002.

4. Parts are subject to change in design without prior notice.

CONTENTS

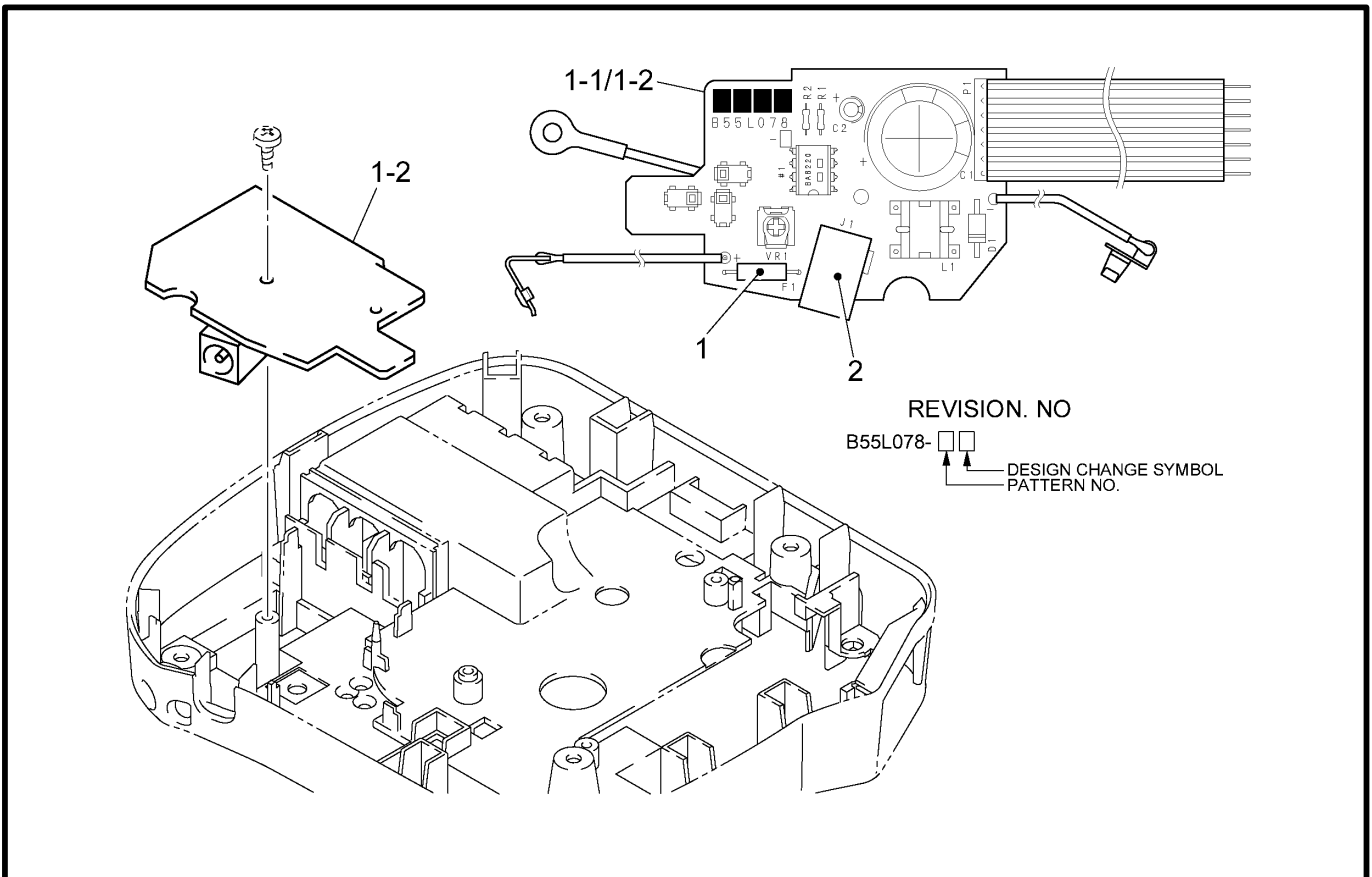
| | |
|----------------------------|----|
| 1 . RUBBER KEY..... | 1 |
| 2 . SUB PCB..... | 1 |
| 3 . PRINT MECHANISM | 3 |
| 4 . COVERS | 5 |
| 5 . MAIN PCB | 7 |
| 6 . ATTACHMENTS..... | 9 |
| 7 . PRINTED MATTER | 9 |
| 8 . PACKING MATERIALS..... | 11 |

1 . RUBBER KEY



MODEL PT-1100/ST-1150 8V2-351-003

2 . SUB PCB



MODEL PT-1100/ST-1150 8V2-351-102

1 . RUBBER KEY

PtPn040036

| REF.NO. | CODE | Q'TY | DESCRIPTION | REMARKS |
|---------|-----------|------|--|---------|
| 1 | LA3180001 | 1 | RUBBER 41 KEY 1100 US (USA/AUS) (PT-1100/1100C) | |
| 1 | LA3180002 | 1 | RUBBER 41 KEY 1100 US (USA/CAN) (PT-11Q, ST-1150C/1150DX) | |
| 1 | LA3180006 | 1 | RUBBER 41 KEY 1100 US (USA) (PT-1170CC) | |
| 1 | LA3180007 | 1 | RUBBER 41 KEY 1100 US (USA/CAN/AUS) (PT-1180/1180M/1180SC) | ADD |
| 1 | LA3180008 | 1 | RUBBER 41 KEY 1100 US (USA) (PT-1190) | ADD |

MODEL PT-1100/ST-1150 8V2-351-003

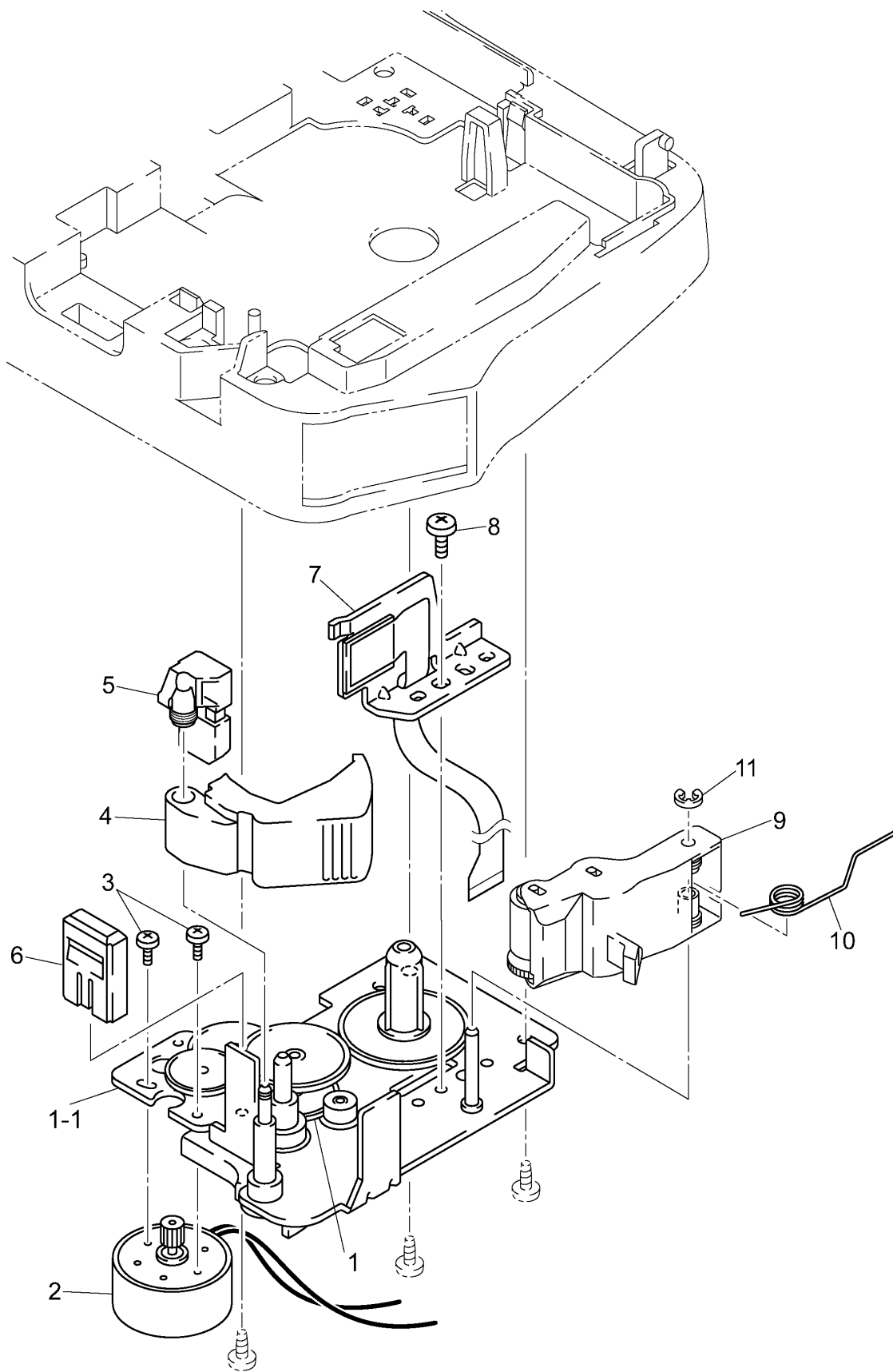
2 . SUB PCB

PtPn040036

| REF.NO. | SYMBOL | CODE | Q'TY | DESCRIPTION | REMARKS |
|---------|------------|-----------|------|--|---------|
| 1-2 | B55L078-1C | LA3304001 | 1 | SUB PCB ASSY PT1250 (USA/CAN/AUS) (PT-1100/1100C/11Q /1170CC, ST-1150C/1150DX) | CHNG#A |
| 1-1 | B55L078-1A | LA7960001 | 1 | SUB PCB ASSY PT1180 (USA/CAN/AUS) (PT-1180/1180M /1180SC/1190) | ADD |
| 1 | F1 | UN0999000 | 1 | FUSE,125V4A | |
| 2 | J1 | W00325001 | 1 | JACK, HECO470 | |

MODEL PT-1100/ST-1150 8V2-351-102

3 . PRINT MECHANISM



MODEL PT-1100/ST-1150 8V2-351-045

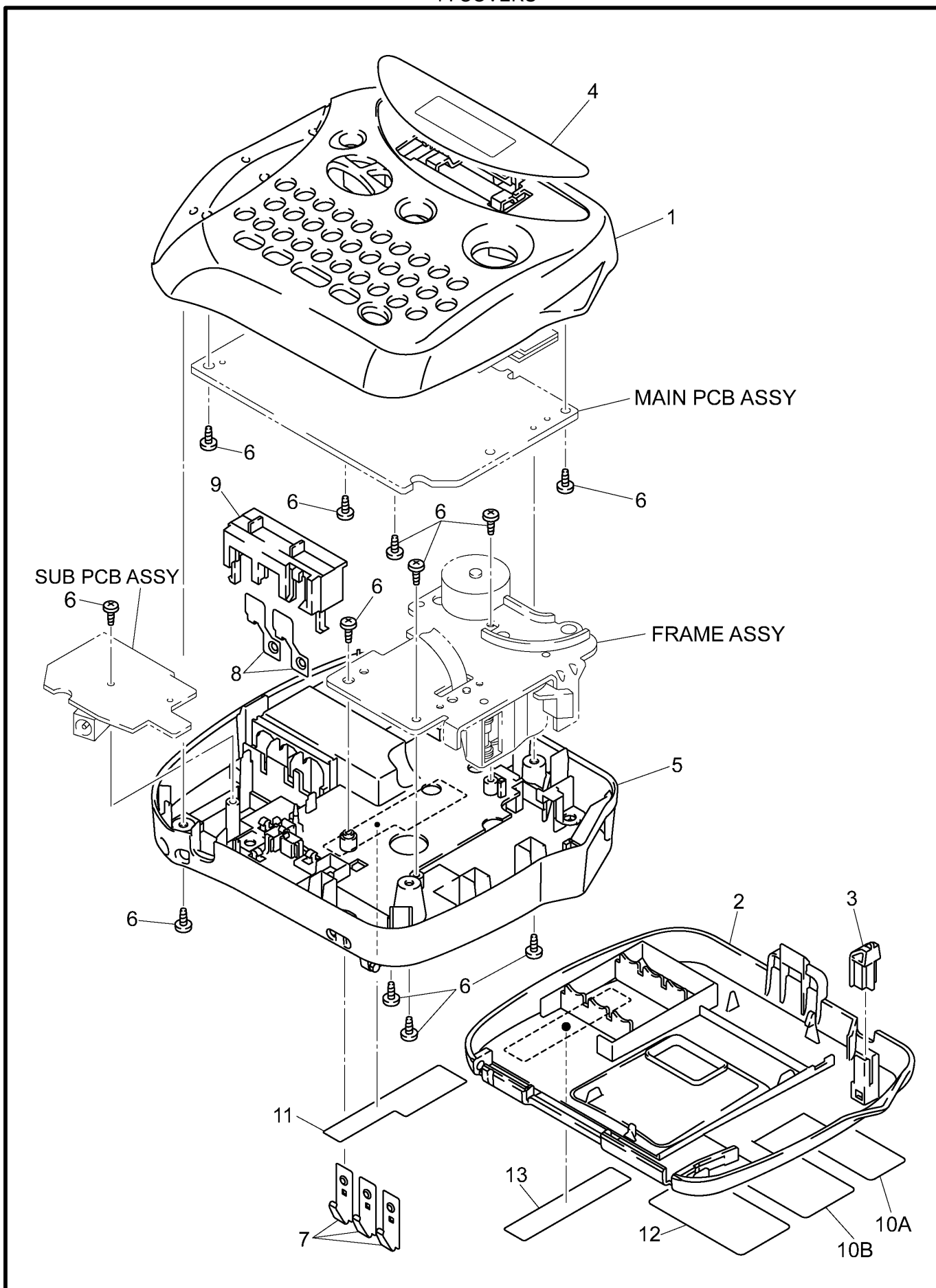
3 . PRINT MECHANISM

PtPn040036

| REF.NO. | CODE | Q'TY | DESCRIPTION | REMARKS |
|---------|-----------|------|---|---------|
| 1-1 | LA3181001 | 1 | FRAME ASSY 1100 | |
| 1 | LA3195001 | 1 | IDLE GEAR | |
| 2 | LA3963001 | 1 | DC MOTOR ASSY F | |
| 3 | UN3640001 | 2 | SCREW, PAN 1.7X2.5 | |
| 4 | LA3198001 | 1 | CUTTER LEVER, BLUE6306 (USA/AUS) (PT-1100/1100C) | |
| 4 | LA3198004 | 1 | CUTTER LEVER, YELLOW4178 (USA/CAN) (PT-11Q, ST-1150C/1150DX) | CHNG#D |
| 4 | LA3198006 | 1 | CUTTER LEVER, PURPLE6341 (USA) (PT-1170CC) | |
| 4 | LA3198009 | 1 | CUTTER LEVER, PURPLE6140 (USA/CAN/AUS) (PT-1180/1180M/1180SC) | ADD |
| 4 | LA3198010 | 1 | CUTTER LEVER, GRAY1252 (USA/CAN/AUS) (PT-1190) | ADD |
| 5 | LA3199001 | 1 | CUTTER CASE ASSY | |
| 6 | LA3203001 | 1 | BOARD | |
| 7 | LA3204001 | 1 | HEAD ASSY, KF1800-21 | |
| 8 | 060300415 | 1 | SCREW, BIND M3X4 | |
| 9 | LA3209001 | 1 | ROLLER HOLDER ASSY 1100 | |
| 10 | LA3218001 | 1 | ROLLER HOLDER RELEASE SPRING | |
| 11 | 048020346 | 1 | RETAINING RING, E2 | |

MODEL PT-1100/ST-1150 8V2-351-045

4 . COVERS



MODEL PT-1100/ST-1150 8V2-351-061

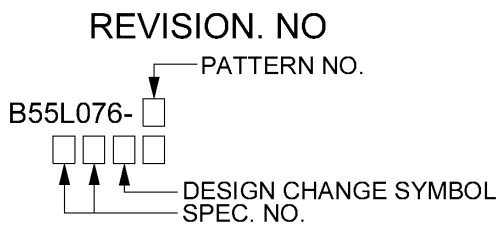
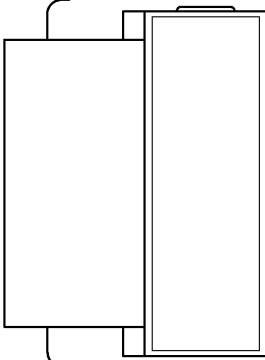
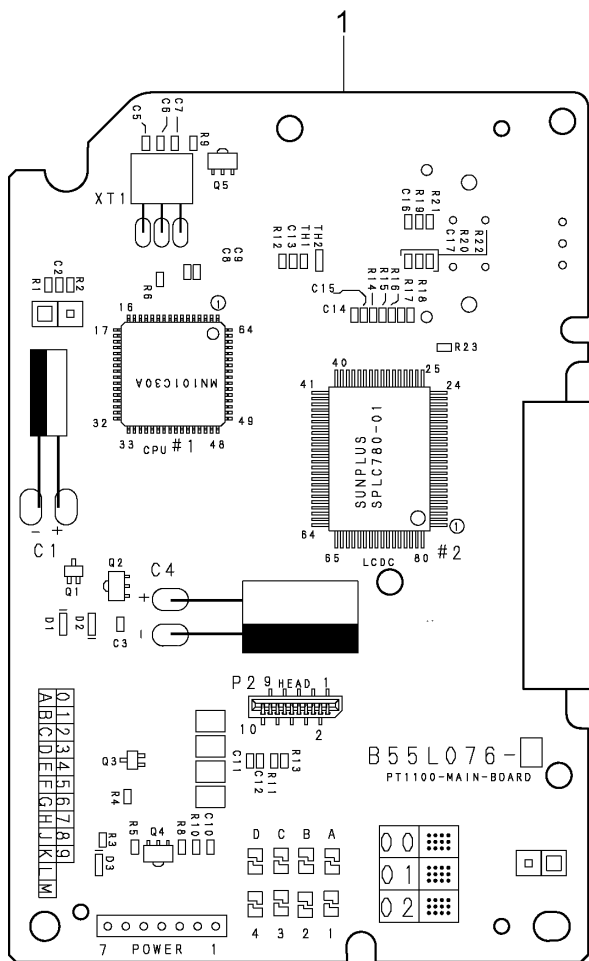
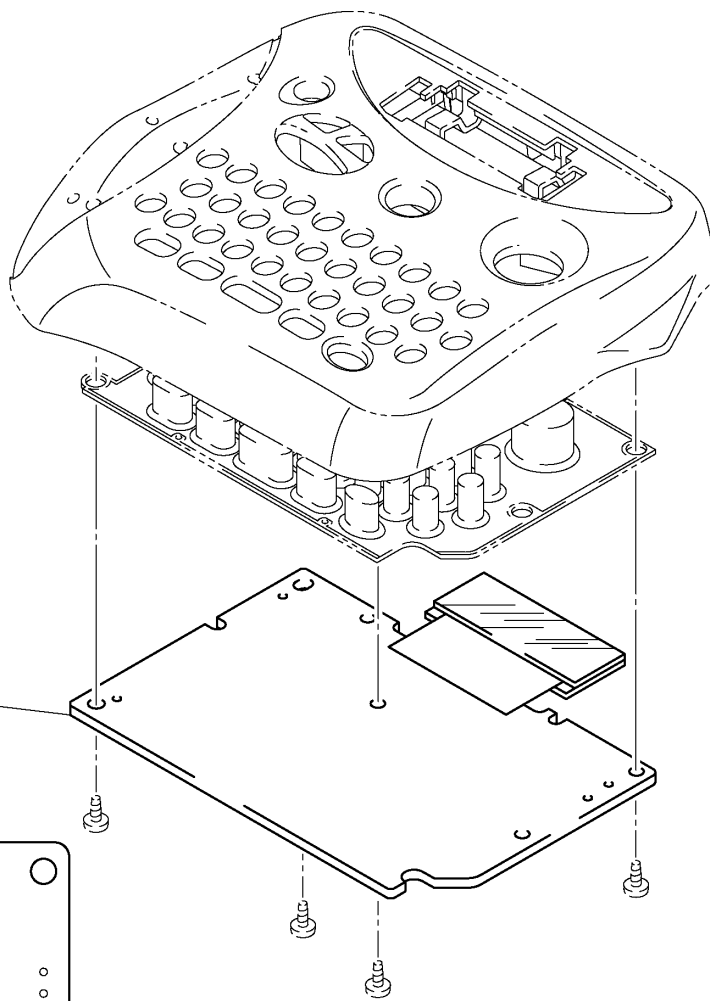
4 . COVERS

PtPn040036

| REF.NO. | CODE | Q'TY | DESCRIPTION | REMARKS |
|---------|-----------|------|--|---------|
| 1 | LA3220001 | 1 | UPPER COVER ASSY 1100, WHITE1552 (USA/AUS) (PT-1100/1100C) | |
| 1 | LA3220002 | 1 | UPPER COVER ASSY 1100, GRAY1554 (USA/CAN) (PT-11Q, ST-1150C/1150DX) | |
| 1 | LA3220006 | 1 | UPPER COVER ASSY 1100, BLACK1553 (USA) (PT-1170CC) | |
| 1 | LA7888001 | 1 | UPPER COVER ASSY 1180, GRAY1593 (USA/CAN/AUS) (PT-1180/1180M/1180SC) | ADD |
| 1 | LA3220007 | 1 | UPPER COVER ASSY 1100, WHITE1552 (USA) (PT-1190) | ADD |
| 2 | LA3224001 | 1 | CASSETTE COVER 1100 (USA/AUS) (PT-1100/1100C) | |
| 2 | LA3251002 | 1 | CASSETTE COVER 1150 (USA/CAN) (ST-1150C/1150DX) | |
| 2 | LA3390002 | 1 | CASSETTE COVER 11Q (USA) (PT-11Q) | |
| 2 | LA5765001 | 1 | CASSETTE COVER 1170 (USA) (PT-1170CC) | |
| 2 | LA7891001 | 1 | CASSETTE COVER 1180 (USA/CAN/AUS) (PT-1180/1180M/1180) | ADD |
| 2 | LN6112001 | 1 | CASSETTE COVER 1190 (USA) (PT-1190) | ADD |
| 3 | LA3225000 | 1 | HOLDER CAM | |
| 4 | LA3226001 | 1 | LCD PANEL 1100 US (USA) (PT-1100) | |
| 4 | LA3952001 | 1 | LCD PANEL 1150 US (USA) (ST-1150C) | |
| 4 | LA3249001 | 1 | LCD PANEL 1150 CA (CAN/USA) (ST-1150C/1150DX) | |
| 4 | LA3774001 | 1 | LCD PANEL 1100 AUS (AUS) (PT-1100C) | |
| 4 | LA5766001 | 1 | LCD PANEL 1170 US (USA) (PT-1170CC) | |
| 4 | LA7892001 | 1 | LCD PANEL 1180 US (USA/AUS) (PT-1180/1180M) | ADD |
| 4 | LA7932001 | 1 | LCD PANEL 1180 CA (CAN) (PT-1180/1180SC) | ADD |
| 4 | LA7987001 | 1 | LCD PANEL 11Q US (USA) (PT-11Q) | |
| 4 | LN6113001 | 1 | LCD PANEL 1190 US (USA) (PT-1190) | ADD |
| 5 | LA3299002 | 1 | BOTTOM COVER 1250, WHITE1552 (USA/AUS) (PT-1100/1100C) | CHNG#D |
| 5 | LA3299003 | 1 | BOTTOM COVER 1250, GRAY1554 (USA/CAN) (PT-11Q, ST-1150C/1150DX) | CHNG#D |
| 5 | LA3299001 | 1 | BOTTOM COVER 1250, BLACK1553 (USA) (PT-1170CC) | CHNG#D |
| 5 | LA5810003 | 1 | BOTTOM COVER 1100 HK, GRAY1593 (USA/CAN/AUS) (PT-1180/1180M/1180SC) | ADD |
| 5 | LA5810004 | 1 | BOTTOM COVER 1100 HK, WHITE1550 (USA) (PT-1190) | ADD |
| 6 | 085270617 | 12 | TAPTITE, BIND B M2.6X6 | |
| 7 | LA3867000 | 3 | BATTERY TERMINAL A (+,-) | |
| 8 | LA3228000 | 2 | BATTERY TERMINAL B (+,-) | |
| 9 | LA3229001 | 1 | TERMINAL PRESS COVER | |
| 10A | LA0492001 | 1 | FCC LABEL 1200, US (USA) (PT-1100/1170CC/1180M/11Q, ST-1150C/1150DX) | CHNG |
| 10A | LN0355001 | 1 | FCC LABEL 1180, US (USA) (PT-1180/1190) | ADD |
| 10B | LA0518001 | 1 | FCC LABEL 1200, CA (SYMBOL:A) (CAN) (ST-1150C) | CHNG |
| 10B | LN0356001 | 1 | FCC LABEL 1180, CA (CAN) (PT-1180/1180SC) | ADD |
| 11 | UN3739001 | 1 | CUTTER CAUTION LABEL | |
| 12 | UN3740001 | 1 | ADAPTER CAUTION LABEL (SYMBOL:A) (AUS) (PT-1100C) | CHNG#D |
| 12 | LN0888001 | 1 | CAUTION LABEL (AUS) (PT-1180) | ADD |
| 13 | LA3997001 | 1 | C-TICK MARK CH (AUS) (PT-1100C) | |
| 13 | LA4998001 | 1 | C-TICK MARK (AUS) (PT-1180) | ADD |

MODEL PT-1100/ST-1150 8V2-351-061

5 . MAIN PCB



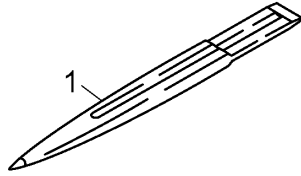
5 . MAIN PCB

PtPn040006

| REF.NO. | SYMBOL | CODE | Q'TY | DESCRIPTION | REMARKS |
|---------|--------------|-----------|------|------------------------------------|---------|
| 1 | B55L076-120C | LA3230001 | 1 | MAIN PCB ASSY PT1100 (USA/CAN/AUS) | CHNG#B |

MODEL PT-1100/ST-1150 8V2-351-101

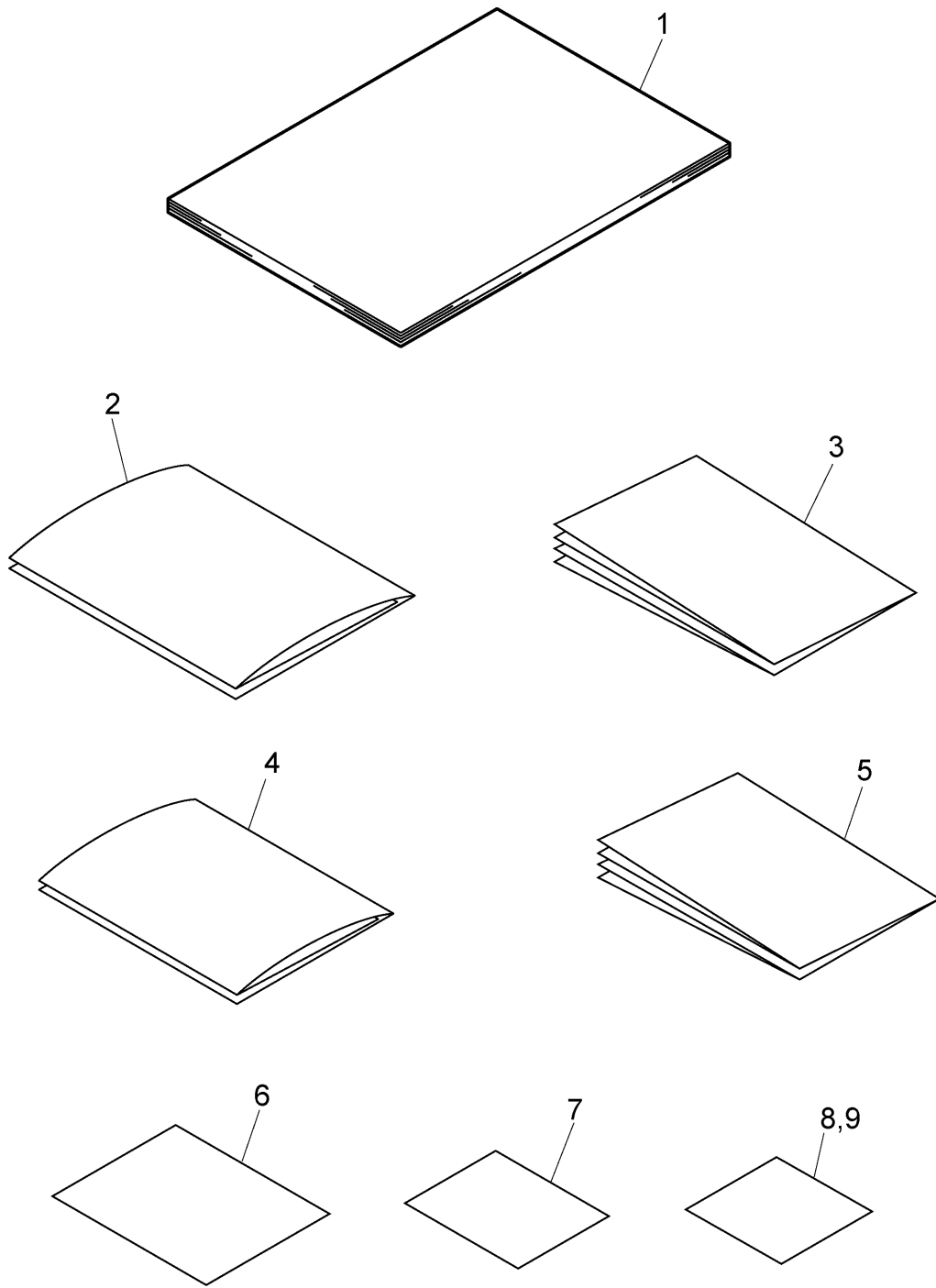
6 . ATTACHMENTS



MODEL PT-1100/ST-1150 8V2-351-910

7 . PRINTED MATTER

PT2002030



MODEL PT-1100/ST-1150 8V2-351-930

6 . ATTACHMENTS

PtPn040036

| REF.NO. | SYMBOL | CODE | Q'TY | DESCRIPTION | REMARKS |
|---------|--------|-----------|------|---|---------|
| 1 | | LA4896001 | 1 | PEELER-STICK, GRAY1252 (USA/CAN/AUS) (PT-1180/1180M /1180SC/1190) | ADD |
| 1 | | UN0733022 | 1 | LETTERING STICK TZ, GRAY1252 (USA) (PT-11Q) | |

MODEL PT-1100/ST-1150 8V2-351-910

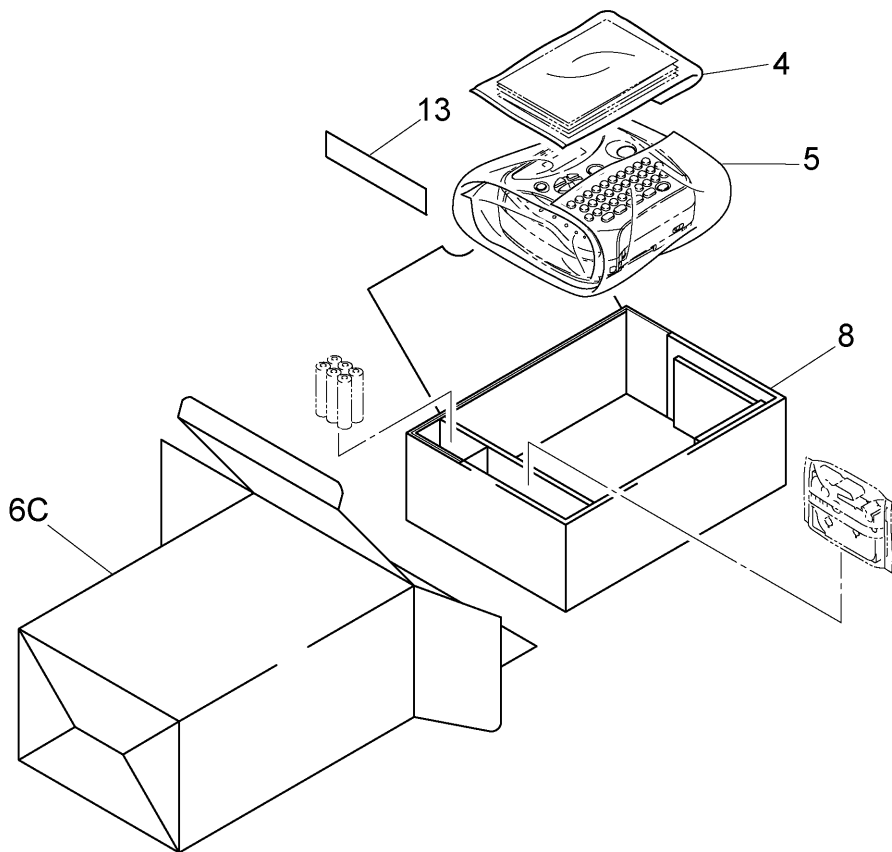
7 . PRINTED MATTER

PtPn040036

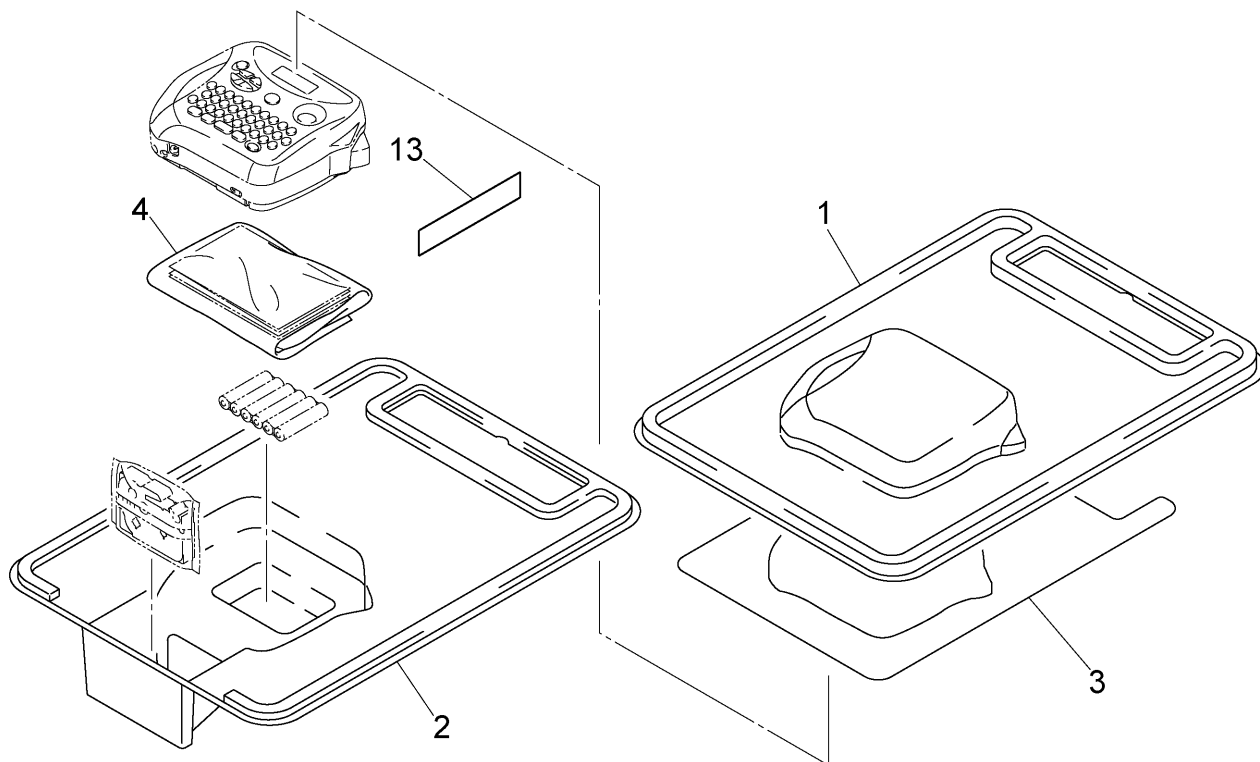
| REF.NO. | SYMBOL | CODE | Q'TY | DESCRIPTION | REMARKS |
|---------|--------|-----------|------|--|---------|
| 1 | | LA3242001 | 1 | USER'S MANUAL 1100, USA.ENGLISH (USA) (PT-1100) | |
| 1 | | LA3243001 | 1 | USER'S MANUAL 1100, USA.SPANISH (USA) (PT-1100) | |
| 1 | | LA3255001 | 1 | USER'S MANUAL 1150, USA.ENGLISH (USA) (ST-1150C /1150DX) | |
| 1 | | LA3256001 | 1 | USER'S MANUAL 1150, USA.SPANISH (USA) (ST-1150C /1150DX) | |
| 1 | | LA3268001 | 1 | USER'S MANUAL 1150, CAN.ENGLISH (CAN) (ST-1150C) | |
| 1 | | LA3269001 | 1 | USER'S MANUAL 1150, CAN.FRENCH (CAN) (ST-1150C) | |
| 1 | A | LA3776001 | 1 | USER'S MANUAL 1100, AUS.ENGLISH (AUS) (PT-1100C/1180) | CHNG#B |
| 1 | | LA5767001 | 1 | USER'S MANUAL 1170, USA.ENGLISH (USA) (PT-1170CC) | |
| 1 | | LA5768001 | 1 | USER'S MANUAL 1170, USA.SPANISH (USA) (PT-1170CC) | |
| 1 | | LA3288001 | 1 | USER'S MANUAL 11Q, USA.ENGLISH (USA) (PT-11Q) | |
| 1 | | LA3289001 | 1 | USER'S MANUAL 11Q, USA.SPANISH (USA) (PT-11Q) | |
| 1 | C | LA7895001 | 1 | USER'S MANUAL 1180, USA.ENGLISH (USA) (PT-1180/1180M) | CHNG#B |
| 1 | A | LA7896001 | 1 | USER'S MANUAL 1180, USA.SPANISH (USA) (PT-1180/1180M) | ADD |
| 1 | | LA7933001 | 1 | USER'S MANUAL 1180, CAN.ENGLISH (CAN) (PT-1180/1180SC) | ADD |
| 1 | | LA7934001 | 1 | USER'S MANUAL 1180, CAN.FRENCH (CAN) (PT-1180/1180SC) | ADD |
| 1 | | LN6115001 | 1 | USER'S MANUAL 1190, USA.ENGLISH (USA) (PT-1190) | ADD |
| 1 | | LN6116001 | 1 | USER'S MANUAL 1190, USA.SPANISH (USA) (PT-1190) | ADD |
| 2 | B | LA4059001 | 1 | WARRANTY CARD US CH (USA) (PT-1100/1180/1180M/1170CC /11Q) | ADD |
| 2 | A | LA3257001 | 1 | WARRANTY CARD STANLEY (USA) (ST-1150C/1150DX) | |
| 2 | | LA3270001 | 1 | WARRANTY CARD STANLEY (CAN) (ST-1150C) | |
| 2 | B | UN8607002 | 1 | WARRANTY CARD, CAN.E/F (CAN) (PT-1180/1180SC) | ADD |
| 2 | | LN6117001 | 1 | WARRANTY CARD, 1190US CH (USA) (PT-1190) | ADD |
| 3 | | LA3258001 | 1 | ACCESSORY ORDER FORM STANLEY (USA) (ST-1150C/1150DX) | |
| 3 | | LA3697001 | 1 | ACCESSORY ORDER FORM (USA) (PT-1100/1170CC) | CHNG#D |
| 3 | A | LA8460001 | 1 | ACCESSORY ORDER FORM (USA) (PT-1180/1180M) | CHNG#B |
| 3 | | LA3271001 | 1 | ACCESSORY ORDER FORM STANLEY (CAN) (ST-1150C) | |
| 3 | B | LA1825001 | 1 | ACCESSORY ORDER FORM, US (USA) (PT-1100/1170CC /1180/1180M) | CHNG#B |
| 3 | | LA7938001 | 1 | 1180 ACCESSORY ORDER FORM CACH (CAN) (PT-1180 /1180SC) | ADD |
| 4 | | LA2895001 | 1 | TZ TAPE CATALOG, AUS CH (AUS) (PT-1100C/1180) | ADD |
| 5 | A | LA3729001 | 1 | INSERTION 1100, USA.ENGLISH (USA/AUS/CAN) (PT-1100 /1100C/1170CC/1180/1180M/1180SC, ST-1150C/1150DX) | ADD |
| 5 | | LA3730001 | 1 | INSERTION 1100, USA.SPANISH (USA) (PT-1100/1100C /1170CC/1180/1180M, ST-1150C/1150DX) | ADD |
| 5 | | LA3734001 | 1 | INSERTION 1150, CAN.FRENCH (CAN) (PT-1180,ST-1150C /1180SC) | ADD |
| 6 | | LA3946001 | 1 | LEGEND LABEL 1150 (CAN) (ST-1150C) | |
| 6 | | LA7935001 | 1 | LEGEND LABEL 1180 (CAN) (PT-1180/1180SC) | ADD |
| 7 | | LA3947001 | 1 | LEGEND INSERTION 1150 (CAN) (ST-1150C) | |
| 7 | | LA7936001 | 1 | LEGEND INSERTION 1180 (CAN) (PT-1180/1180SC) | ADD |
| 8 | | LA4044001 | 1 | APPLICATION CARD 1150 (USA) (ST-1150C/1150DX) | |
| 8 | | LA7453001 | 1 | APPLICATION CARD 1180 (USA) (PT-1180/1180M) | ADD |
| 8 | | LN1349001 | 1 | APPLICATION CARD 1180AUS (AUS) (PT-1180) | ADD |
| 9 | | LA8416001 | 1 | UNPACKING INSTRUCTION 1100 | ADD |

MODEL PT-1100/ST-1150 8V2-351-920

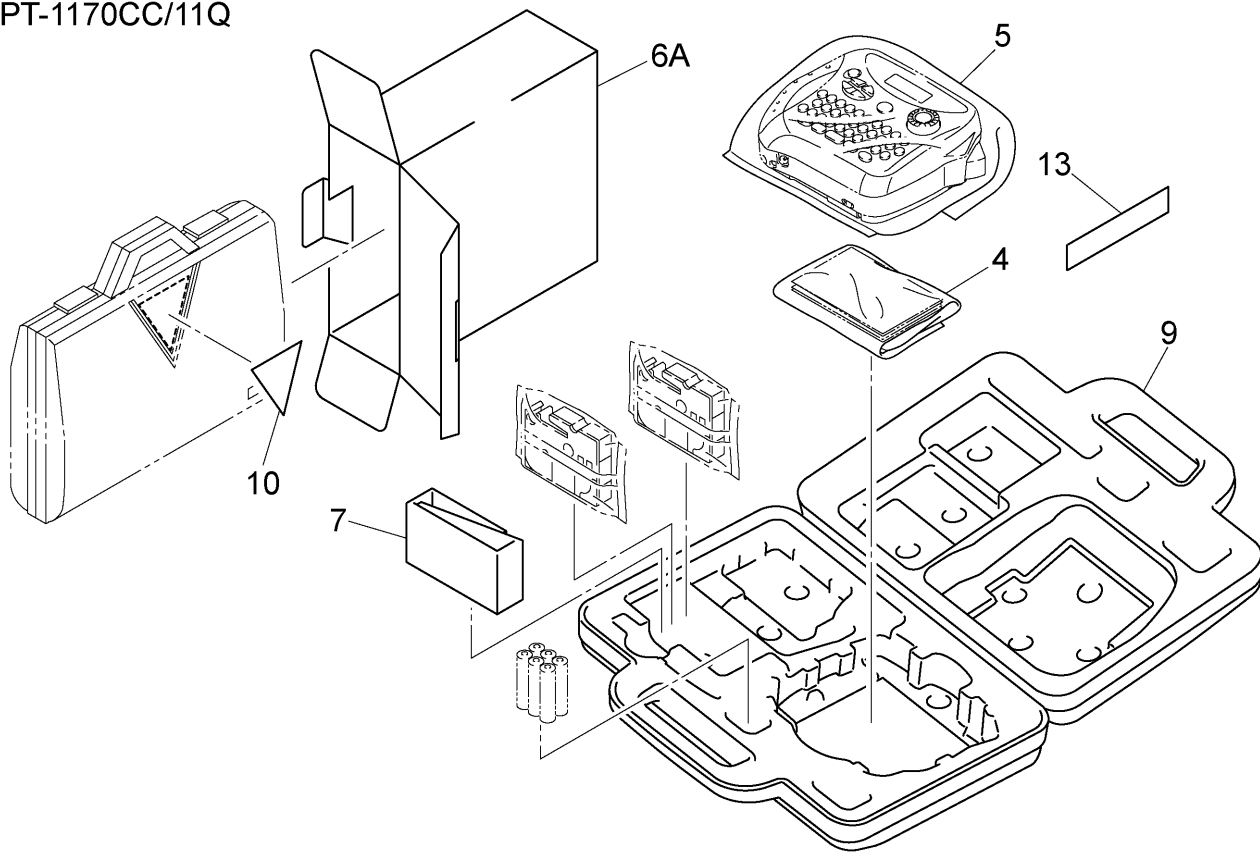
PT-1100



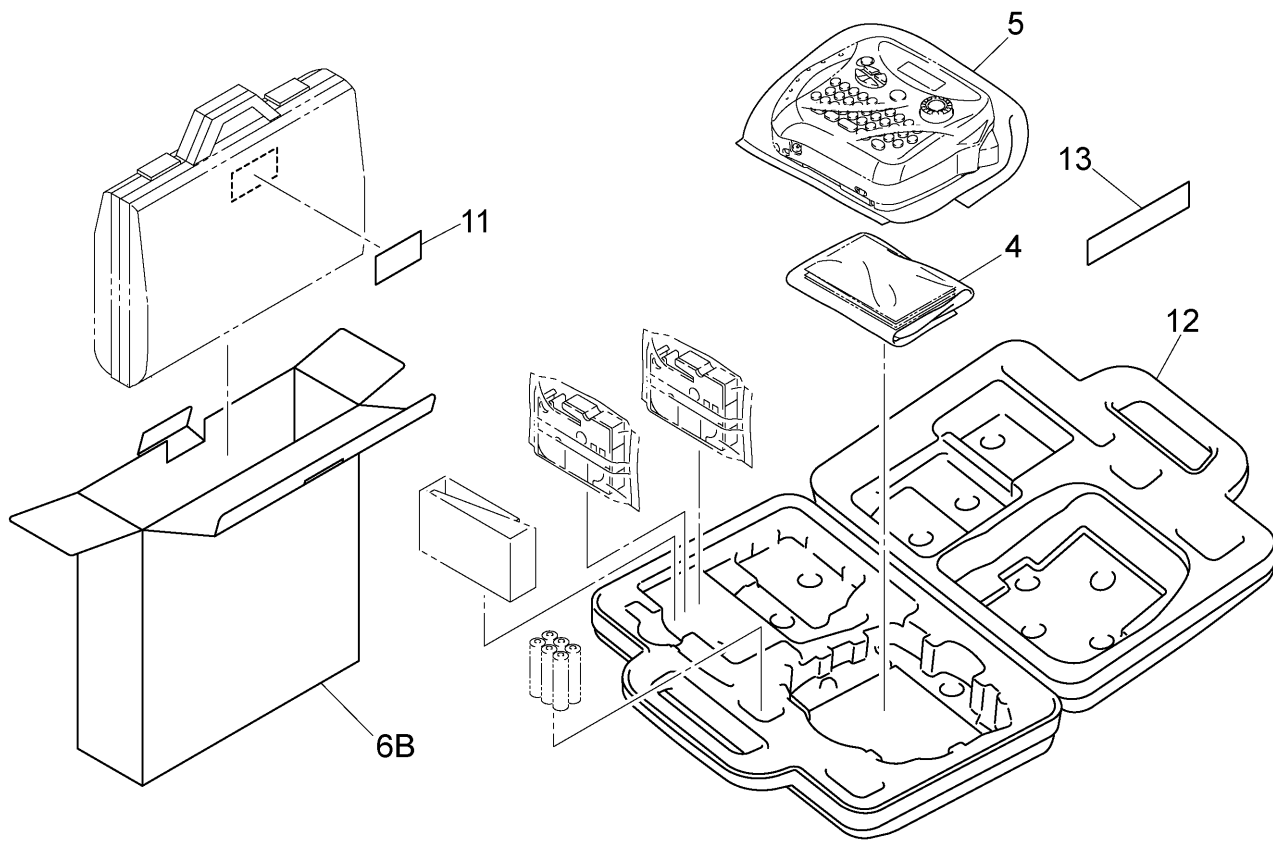
PT-1100C/1130C/1180,ST-1150C

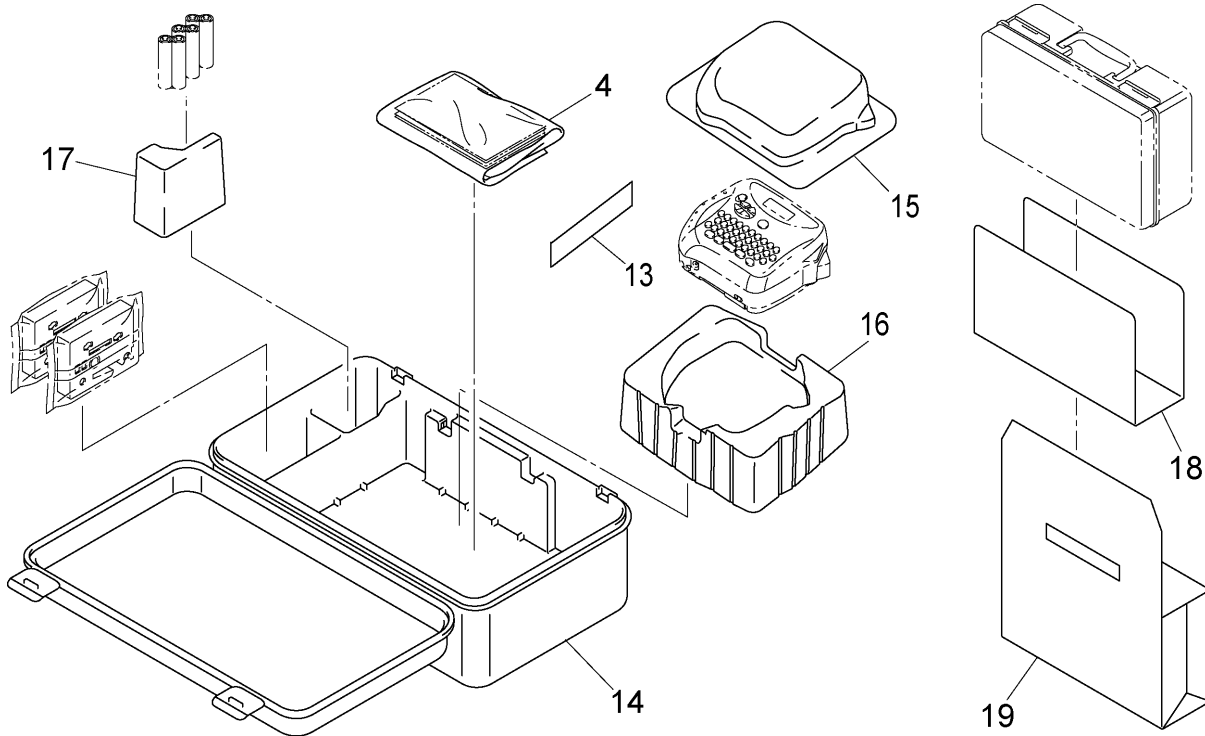


PT-1170CC/11Q



ST-1150DX





8 . PACKING MATERIALS

PtPn040036

| REF.NO. | CODE | Q'TY | DESCRIPTION | REMARKS |
|---------|-----------|------|--|---------|
| 1 | LA3261000 | 1 | CLAM SHELL UPPER 1150 (PT-1100C/1180, ST-1150C) | |
| 1 | LN1990000 | 1 | UPPER PACK SHELL 1180M (USA/CAN) (PT-1180M/1180SC) | ADD |
| 2 | LA3262000 | 1 | CLAM SHELL LOWER 1150 (PT-1100C/1180, ST-1150C) | |
| 2 | LN1991000 | 1 | LOWER PACK SHELL 1180M (USA/CAN) (PT-1180M/1180SC) | ADD |
| 3 | LA7897001 | 1 | COMMERCIAL SHEET PT1180US (USA) (PT-1180) | |
| 3 | LA7937001 | 1 | COMMERCIAL SHEET PT1180CA (CAN) (PT-1180) SYMBOL:A | CHNG#B |
| 3 | LA9996001 | 1 | COMMERCIAL SHEET PT1180M (USA) (PT-1180M) | ADD |
| 3 | LA3263001 | 1 | COMMERCIAL SHEET PT1150US (USA) (ST-1150C) | |
| 3 | LA3272001 | 1 | COMMERCIAL SHEET PT1150CA (CAN) (ST-1150C) | |
| 3 | LA3777001 | 1 | COMMERCIAL SHEET PT1100AUS (AUS) (PT-1100C) | |
| 3 | LN0817001 | 1 | COMMERCIAL SHEET PT1180AUS (AUS) (PT-1180) | ADD |
| 3 | LN5867001 | 1 | COMMERCIAL SHEET PT1180SC (CAN) (PT-1180SC) | ADD |
| 4 | LA6866001 | 1 | BAG, 130X250 (USER'S MANUAL) | |
| 5 | LA6867001 | 1 | BAG, 215X360H (BODY) (EXCEPT PT-1190) | |
| 6A | LA5763001 | 1 | CARTON 1170CC (USA) (PT-1170CC) | |
| 6A | LA7988001 | 1 | CARTON 11QCC (USA) (PT-11Q) | |
| 6B | LA3957001 | 1 | CARTON 1150DX (USA) (ST-1150DX) | |
| 6C | LA3244001 | 1 | CARTON 1100US (USA) (PT-1100) | |
| 7 | LA3932000 | 1 | CASSETTE PAD 1 (USA) (PT-1170CC/11Q, ST-1150DX) | |
| 8 | LA3245000 | 1 | PAD 1100 (USA) (PT-1100) | |
| 9 | LA3626001 | 1 | CARRYING CASE 65 (USA) (PT-1170CC/11Q) | |
| 10 | LA3996001 | 1 | CARRYING CASE LABEL BRO (USA) (PT-1170CC/11Q) | |
| 11 | LA4002001 | 1 | CARRYING CASE LABEL STANLY (USA) (ST-1150DX) | |
| 12 | LA4526001 | 1 | CARRYING CASE ST1150 (USA) (ST-1150DX) | |
| 13 | LA8414000 | 1 | PLATEN PROTECT PAD | ADD |
| 14 | LN6118001 | 1 | PP CASE ASSY 1190 (USA) (PT-1190) | ADD |
| 15 | LA5142001 | 1 | BODY HOLDER UPPER PT1250LB (USA) (PT-1190) | ADD |
| 16 | LA5508001 | 1 | BODY HOLDER LOWER PT1250LB (USA) (PT-1190) | ADD |
| 17 | LA6149000 | 1 | BATTERY PAD (USA) (PT-1190) | ADD |
| 18 | LN6120001 | 1 | COMMERCIAL SHEET PT-1190 (USA) (PT-1190) | ADD |
| 19 | LN6121001 | 1 | BAG PT-1190 (USA) (PT-1190) | ADD |

MODEL PT-1100/ST-1150 8V2-351-045

brother[®]

June, 2002
8V2009BE1
Printed in Japan