



PARTS REFERENCE LIST

MODEL: PT-12

PT-15

PT-3000

REVISED EDITION A

MECHANISMS & ELECTRONICS

NOTES FOR USING THIS PARTS REFERENCE LIST

1. In the case of ordering parts, it needs mentioning the following items:

- (1) Code
- (2) Q'ty
- (3) Description
- (4) Symbol (PCB No., Revision , and Parts location mounted on the PCB.)

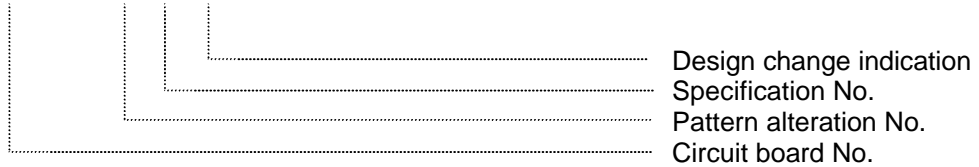
Note : No orders without Parts Code or Tool No. can be accepted.

[Example]

REF. NO.	SYMBOL	CODE	Q'TY	DESCRIPTION	REMARKS

Revision No. : marked on the printed circuit board.

B48J300 - 1 01 A



2. Design-changed parts:

When the parts are changed, any one of the following symbols is indicated in the REMARKS column.

- CHNG#A : compatible between old and new
- CHNG#B : replaceable from old to new
- CHNG#D : incompatible
- ADD : newly established

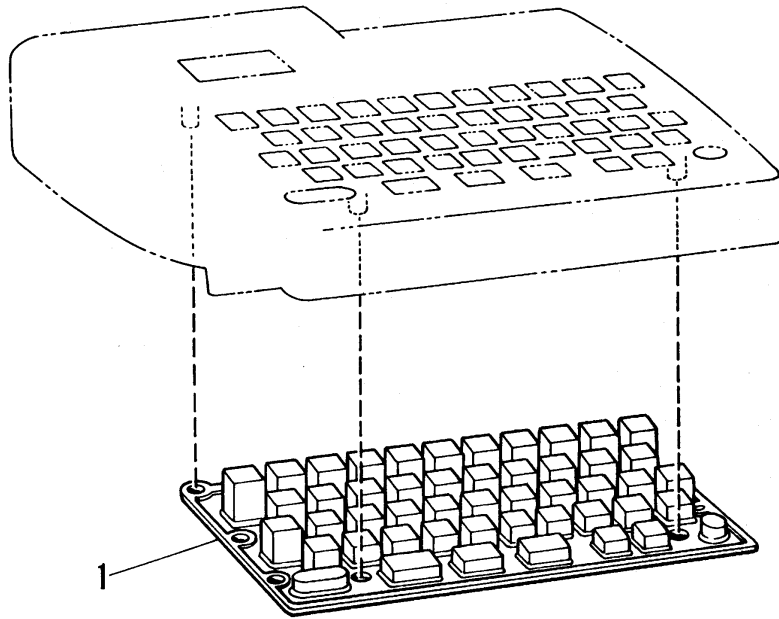
3. The original of this list was made based on the information available in January, 2000.

4. Parts are subject to change in design without prior notice.

CONTENTS

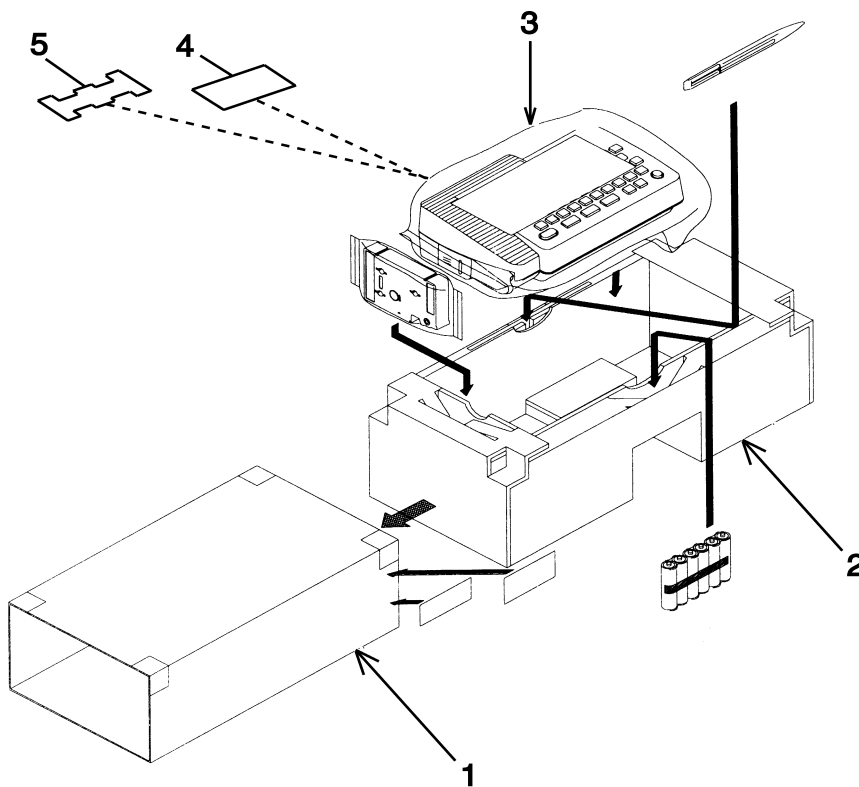
1 . RUBBER KEY.....	1
2 . PACKING MATERIALS.....	1
3 . PRINT MECHANISM	3
4 . COVERS	5
5 . MAIN PCB	7
6 . POWER SUPPLY PCB.....	9
7 . PRINTED MATTER	9
8 . ATTACHMENTS.....	11

1 . RUBBER KEY



MODEL PT-12/15/3000 5V1-232-003

2 . PACKING MATERIALS



MODEL PT-12/15/3000 5V1-232-930

1 . RUBBER KEY

REF.NO.	CODE	Q'TY	DESCRIPTION	REMARKS
1	UB3701001	1	RUBBER 49 KEY, USA.ENG GRAY1252 PT-15 (USA)	
1	UB3701002	1	RUBBER 49 KEY, USA.ENG GRAY1251 PT-12 (USA)	
1	UB3702001	1	RUBBER 49 KEY, GERMAN GRAY1252 PT-3000 (DEU/AUT)	
1	UB3703001	1	RUBBER 49 KEY, FRENCH GRAY1252 PT-3000 (FRA)	
1	UB3704001	1	RUBBER 49 KEY, UK.ENG GRAY1252 PT-3000 (OTHERS)	
1	UB3705001	1	RUBBER 49 KEY, BEL GRAY1252 PT-3000 (BEL)	
1	UB3718001	1	RUBBER 49 KEY, CAN GRAY1252 PT-15 (CAN)	
1	UB3898001	1	RUBBER 49 KEY, CHINESE GRAY1252 PT-3000 (CHN)	
1	UB3945001	1	RUBBER 49 KEY, GREEK GRAY1252 PT-3000 (GRC)	
1	UB3703002	1	RUBBER 49 KEY, FRENCH GRAY1251 PT-3000 (FRA)	
1	UB3704002	1	RUBBER 49 KEY, UK.SPANISH GRAY1251 PT-3000 (GBR/ESP)	

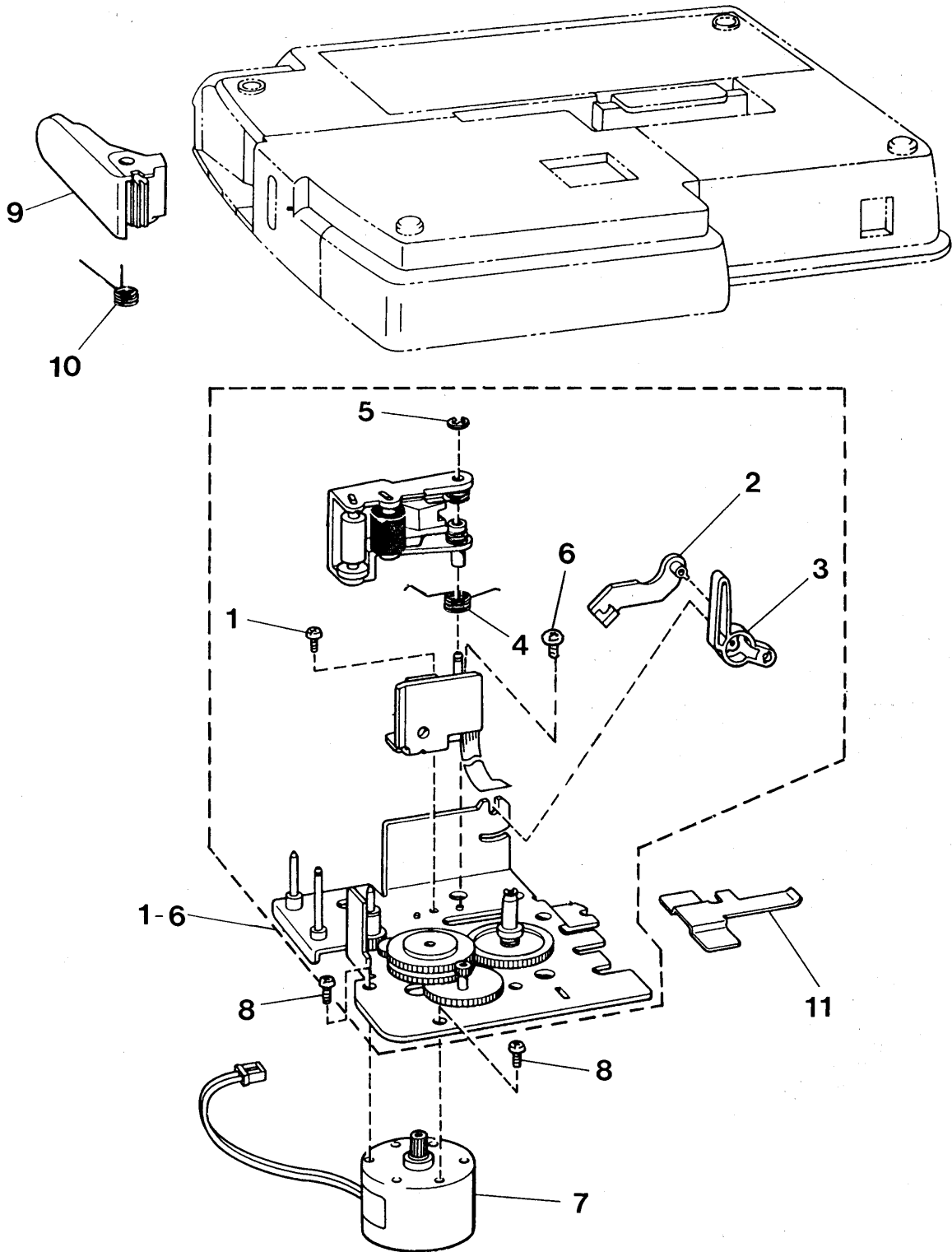
MODEL PT-12/15/3000 5V1-232-003

2 . PACKING MATERIALS

REF.NO.	CODE	Q'TY	DESCRIPTION	REMARKS
1	UB3771001	1	CARTON, PT-3000 (OTHERS)	
1	UB3772001	1	CARTON, PT-3000 (DEU)	
1	UB3773001	1	CARTON, PT-15 (CAN)	
1	UB4379001	1	CARTON, PT-3000 (FRA)	
2	LA1942001	1	MAIN BODY HOLDER, PT-3000	
3	U62093001	1	BAG, (BODY) US	
3	562778000	1	BAG, (BODY) BS	
3	UB3523001	1	BAG, (BODY) DEU	
4	163528001	1	CAUTION LABEL, BS	
5	UB4173000	1	PLATEN PROTECTION SHEET	

MODEL PT-12/15/3000 5V1-232-930

3 . PRINT MECHANISM

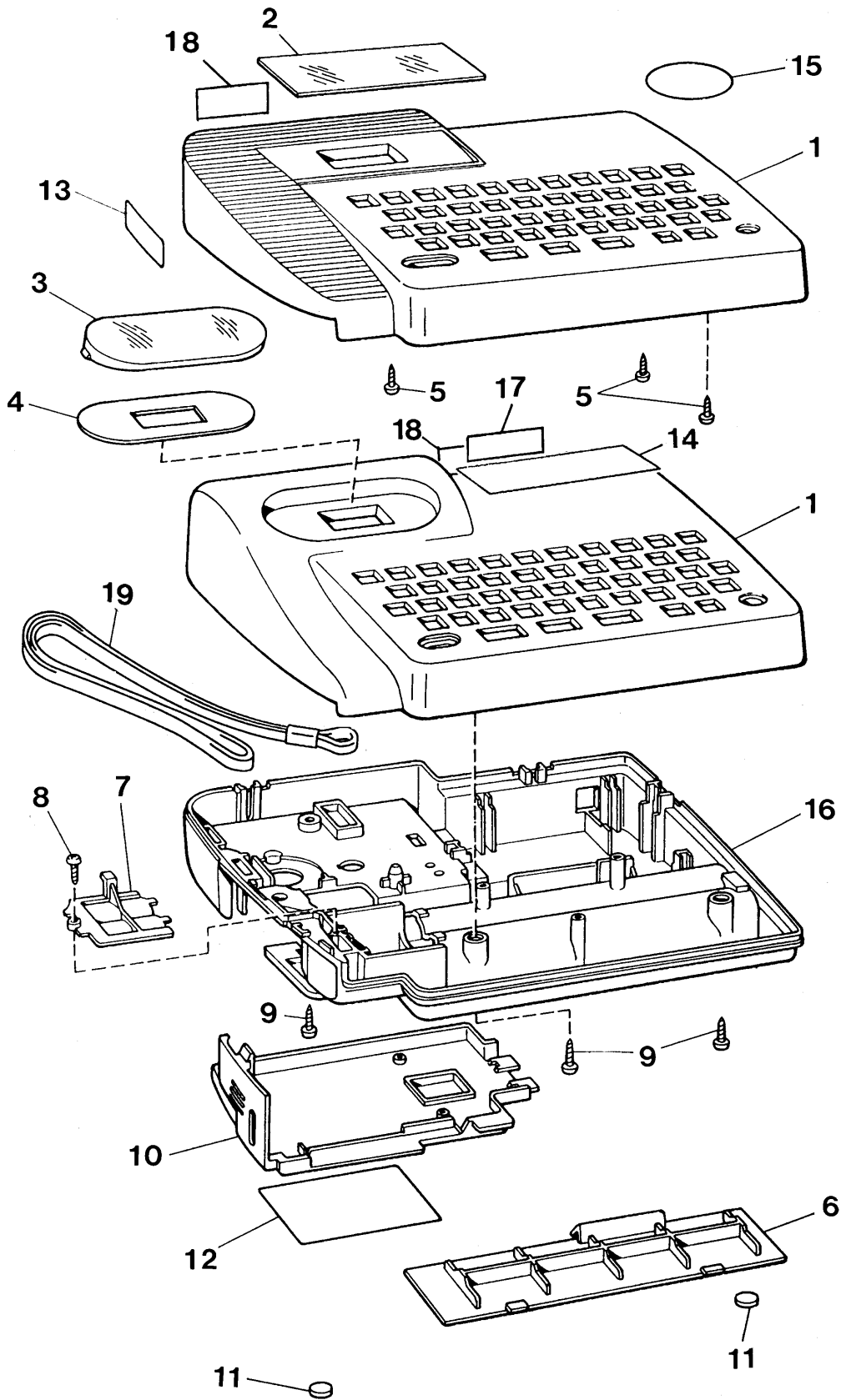


MODEL PT-12/15/3000 5V1-232-045

3 . PRINT MECHANISM

REF.NO.	CODE	Q'TY	DESCRIPTION	REMARKS
1-6	UB3943001	1	MOTOR HOLDER ASSY 12 (SP)	
1	UB3941001	1	CUP SCREW, M2.6X4	
2	UB3752000	1	ROLLER RELEASE ROD 12	
3	UB3753003	1	ROLLER RELEASE LEVER 12, ORANGE3127	
4	UB3754001	1	ROLLER H RETURN SPRING 12	
5	048020346	1	RETAINING RING, E2	
6	U42247001	1	SHOULDER SCREW	
7	UB3736001	1	DC MOTOR ASSY PT-12	
8	UB3007001	2	SCREW, PAN M2.6X3.3	
9	UB3740030	1	CUTTER LEVER 12/15, BLUE6150 PT-15/PT-3000	
9	UB3740031	1	CUTTER LEVER 12/15, GREEN5134 PT-12	
10	UB1806000	1	SPRING	
11	UB3853000	1	ANTI-STATIC SPRING 12	

4. COVERS



MODEL PT-12/15/3000 5V1-232-061

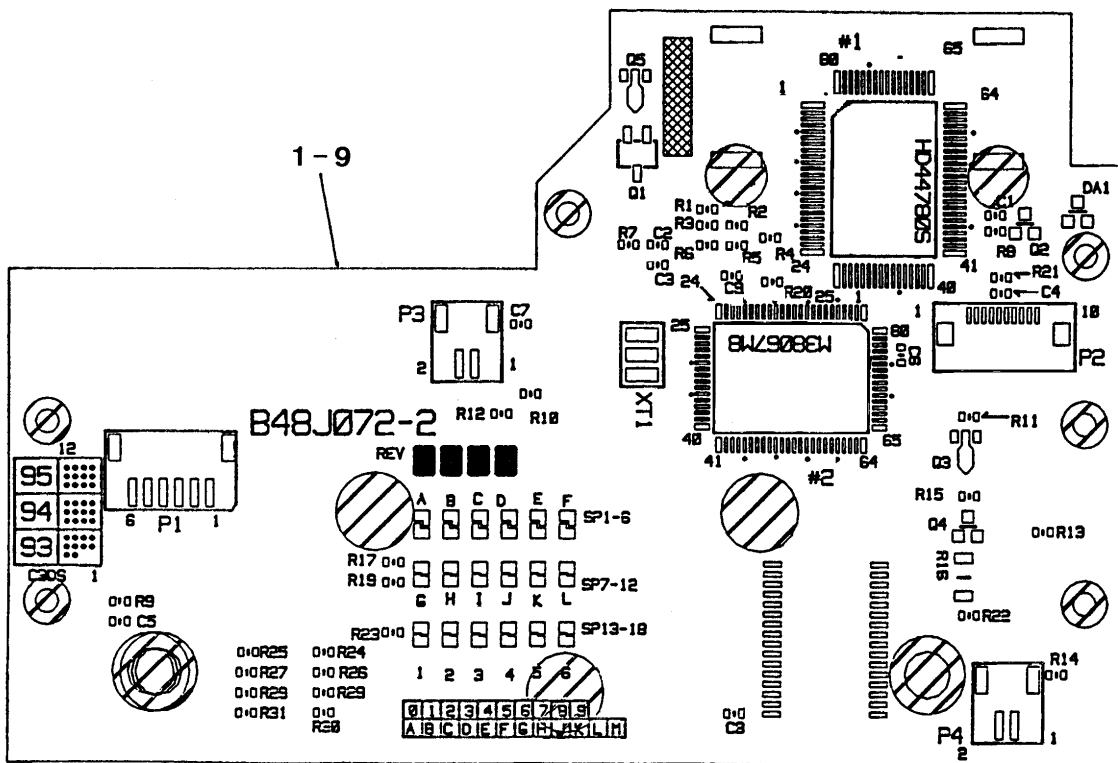
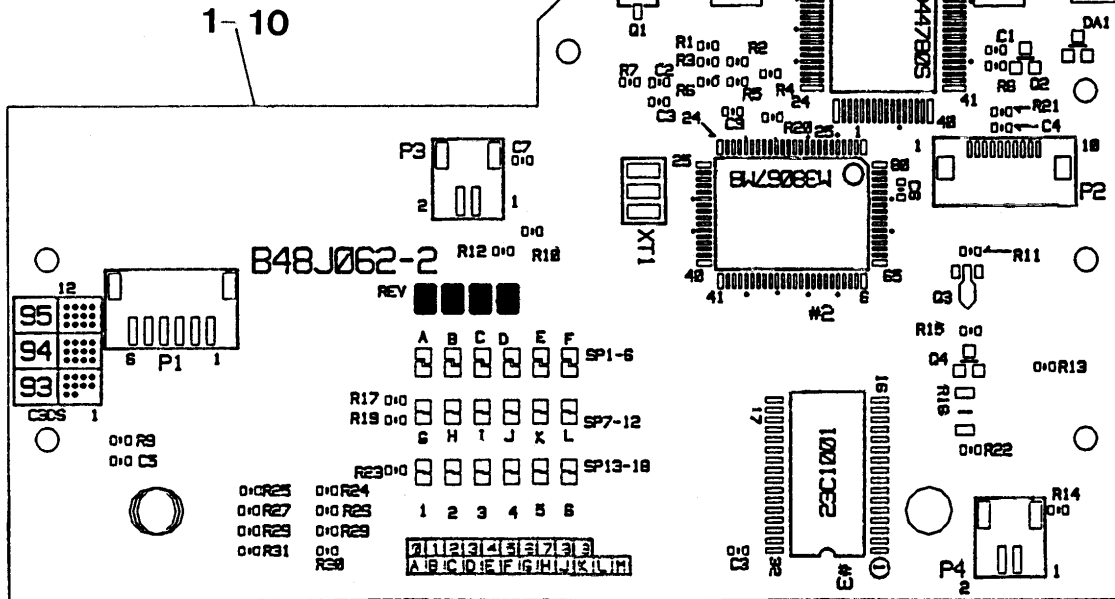
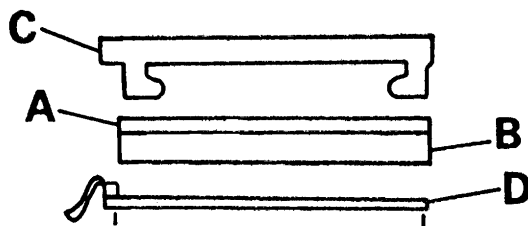
4 . COVERS

REF.NO.	CODE	Q'TY	DESCRIPTION	REMARKS
1	UB3706005	1	BODY COVER 15, GRAY738 PT-15	
1	UB3708024	1	BODY COVER 12, GRAY1267 PT-12	
1	UB3711005	1	BODY COVER 3000GE, GRAY738 PT-3000 (DEU/AUT)	
1	UB3713005	1	BODY COVER 3000FR, GRAY738 PT-3000 (FRA)	
1	UB3715005	1	BODY COVER 3000UK, GRAY738 PT-3000 (OTHERS)	
1	UB3899005	1	BODY COVER 3000CHI, PT-3000 (CHN)	
1	UB4376024	1	BODY COVER 12FR-S, GRAY1267 PT-3000S	
1	UB0218024	1	BODY COVER 12UK-S, GRAY1267 PT-3000 UK.SPA	
2	UB3707001	1	LCD PANEL 15, PT-15	
2	UB3712001	1	LCD PANEL 3000GE, PT-3000 (DEU/AUT)	
2	UB3714001	1	LCD PANEL 3000FR, PT-3000 (FRA)	
2	UB3716001	1	LCD PANEL 3000UK, PT-3000 (OTHERS)	
2	UB3900001	1	LCD PANEL 3000CHI, PT-3000 (CHN)	
3	UB3709000	1	LCD PANEL 12, PT-12	
4	UB3710001	1	LCD SHEET 12, PT-12	
4	UB4377001	1	LCD SHEET 12 FR, PT-3000	
4	UB0219001	1	LCD SHEET 12 UK, PT-12	
5	U82235001	3	TAPTITE, PAN B M2.6X6	
6	UB3720005	1	BATTERY CAP 12/15, GRAY738 PT-15/3000	
6	UB3720024	1	BATTERY CAP 12/15, GRAY1267 PT-12	
7	UB3854005	1	BLIND COVER, GRAY738	
8	U82235001	1	TAPTITE, PAN B M2.6X6	
9	575364001	3	TAPTITE, PAN P M3X8	
10	UB3721005	1	CASSETTE COVER 12/15, GRAY738 PT-15/3000	
10	UB3721024	1	CASSETTE COVER 12/15, GRAY1267 PT-12	
11	UB4431001	2	BASE PLATE FOOT	
12	UB3725001	1	CAUTION LABEL 3000, PT-15 (CAN) PT-3000 (OTHERS)	
12	UB1873001	1	ATTENTION LABEL, NORTH EUROPE PT-3000 (DNK/SWE/FIN/NOR)	
13	UN0732001	1	CAUTION LABEL MID, USA	
13	UB1522001	1	CAUTION LABEL 2, PT-15 (CAN) PT-3000 (OTHERS)	
13	UB1874002	1	ATTENTION LABEL, NORTH EUROPE PT-3000 (DNK/SWE/FIN/NOR)	
14	UB3862001	1	MYLAR LABEL 12/15 (USA)	
15	UB3863001	1	SW3000 LABEL, SWEDISH (SWE)	
16	UB4436005	1	BOTTOM COVER ASSY 12/15, GRAY738	
16	UB4436024	1	BOTTOM COVER ASSY 12/15, GRAY1267	
17	UB7372001	1	ADAPTER CAUTION LABEL PT-12/15 US (USA)	
18	UB0022001	1	FCC LABEL, US (USA)	
18	UN0630001	1	FCC LABEL, CA (CAN)	
19	UN3680001	1	STRAP BELT, PT-3000P/PT-3000S (FRA)	

5. MAIN PCB

05	GREECE	H	H	H	H	L	H
04	BELGIUM	H	H	H	L	H	H
03	FRANCE	H	H	L	H	H	H
02	GERMANY	H	L	H	H	H	H
01	UK.	L	H	H	H	H	H
	Destination	1	2	3	4	5	6
		Solder Points					

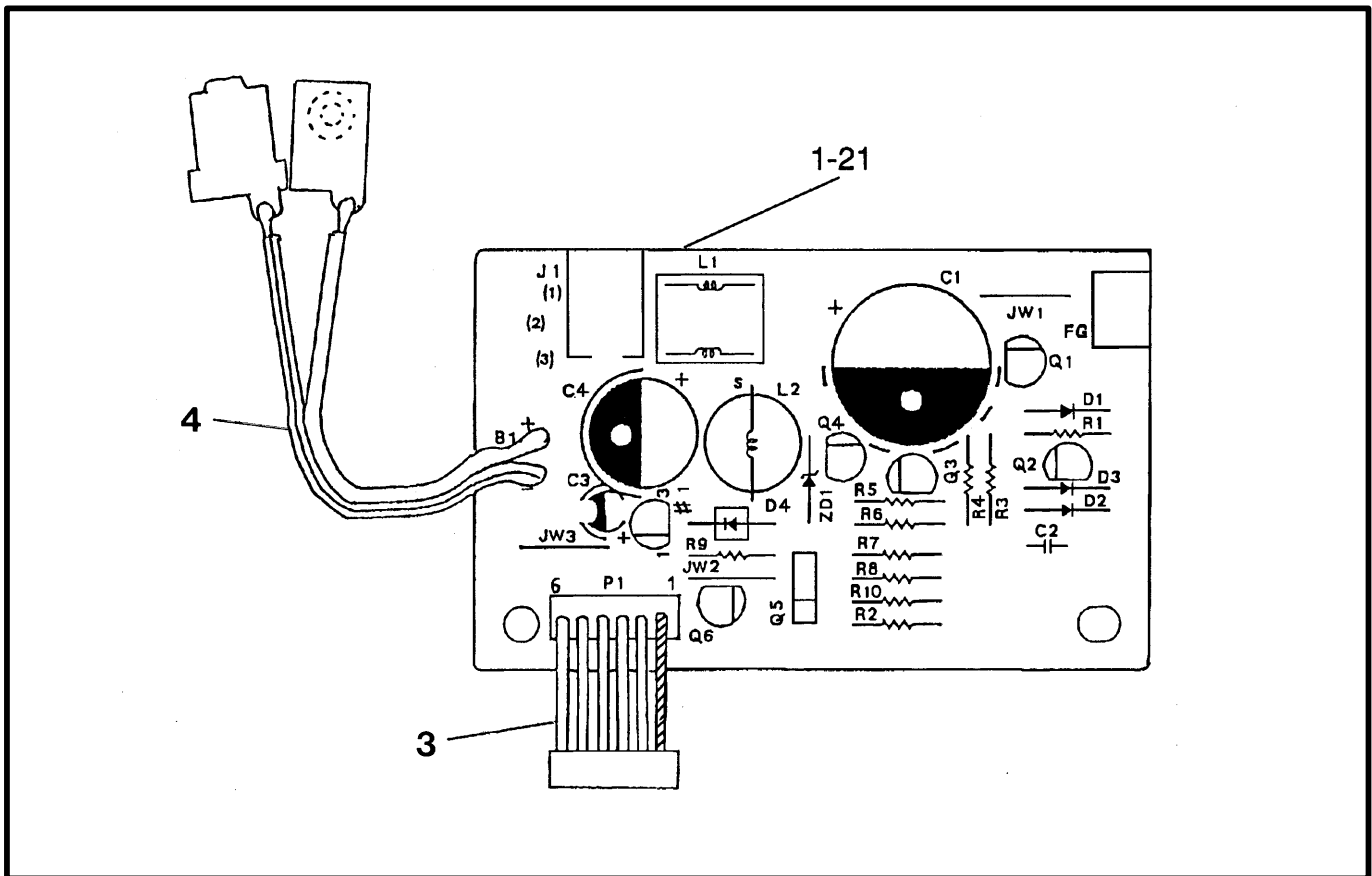
H : Solder point opened L : Solder point closed



5 . MAIN PCB

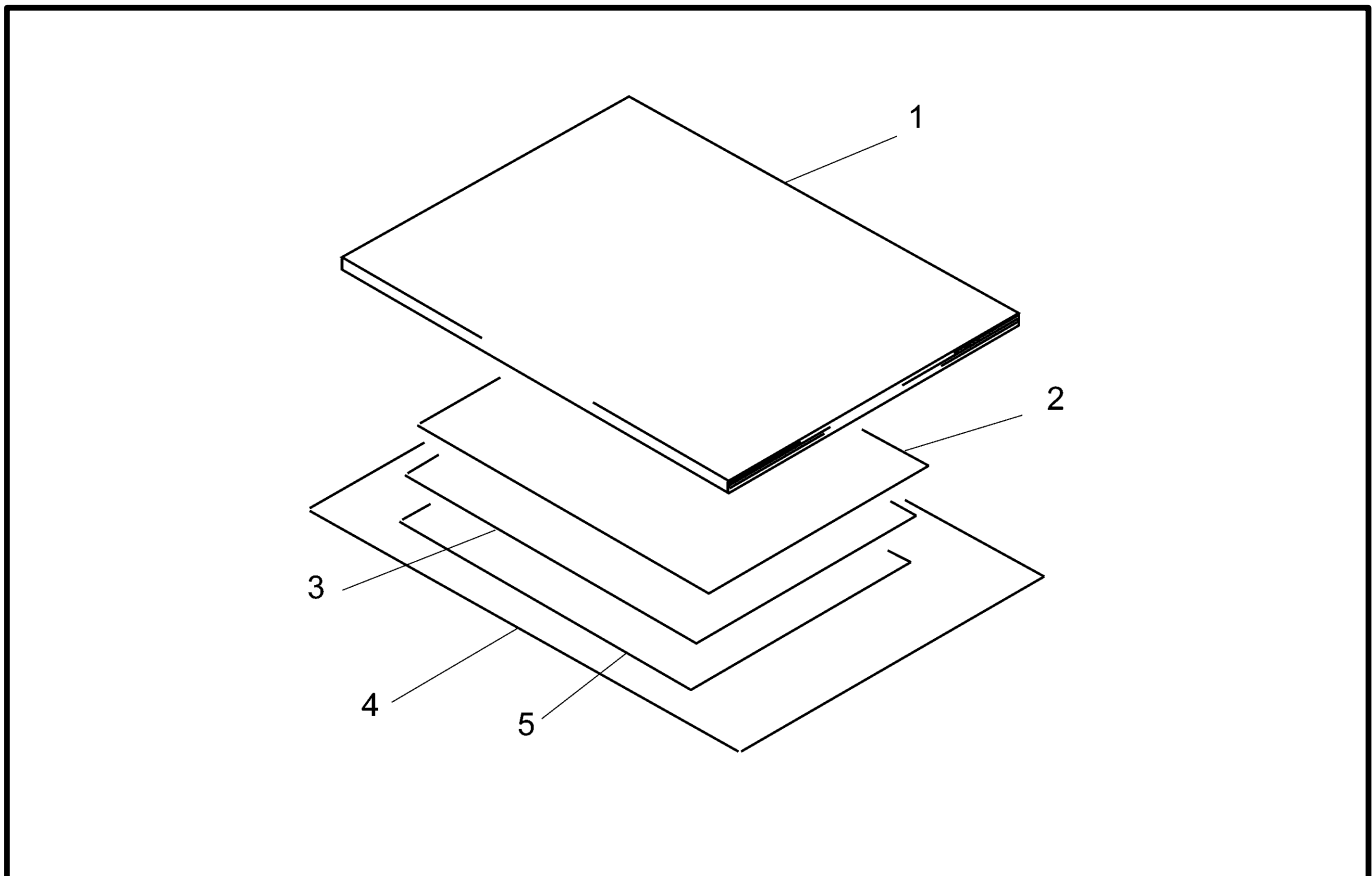
REF.NO.	SYMBOL	CODE	QTY	DESCRIPTION	REMARKS
1-9	B48J072-200F	UB3835001	1	MAIN PCB ASSY PT12 (SP), PT-12/15 (USA)	
1-10	B48J062-201F	UB3836001	1	MAIN PCB ASSY 3000 UK (SP), PT-3000 (OTHERS)	
1-10	B48J062-202F	UB3837001	1	MAIN PCB ASSY 3000 GERMAN (SP), PT-3000 (DEU/AUT)	
1-10	B48J062-203F	UB3838001	1	MAIN PCB ASSY 3000 FRENCH (SP), PT-3000 (FRA)	
1-10	B48J062-204F	UB3860001	1	MAIN PCB ASSY 3000 BEL (SP), PT-3000 (BEL)	
1-9	B48J072-201E	UB3861001	1	MAIN PCB ASSY 15CA (SP), PT-15 (CAN)	
1-10	B48J062-205B	UB4208001	1	MAIN PCB ASSY 3000 GREEK (SP), PT-3000 (GRC)	
1	A	UB0150000	1	LCD:LR666	
2	B	UB1020001	2	RUBBER CONNECTOR	
3	C	UB1010000	1	LCD HOLDER	
4	D	UB1009000	1	SPACER	
5	#2	UB4366000	1	MCU:M38067M8-129, PT-12/15 (USA)	
5	#2	UB4156000	1	MCU:M38067M8, PT-3000 (OTHERS)	
5	#2	UB4157000	1	MCU:M38067M8-061, PT-15 (CAN)	
6	#1	UB2610000	1	LSI:HD44780SB94, PT-12/15 (USA)	
6	#1	UB4204000	1	LSI:HD44780SA00, PT-3000 (OTHERS)	
6	#1	UB1478000	1	LSI:HD44780SB51, PT-15 (CAN)	
7	P2	UB3823000	1	CONNECTOR:52207-1090	
8	P4	UB3824000	1	CONNECTOR:S2B-PH-SM3	
9	P1	UB3825000	1	CONNECTOR:S6B-PH-SM3	
10	#3	UB3828000	1	MASK ROM:23C1001A351, PT-3000 (OTHERS)	
10	#3	UB4203000	1	MASK ROM:23C1001A381, PT-3000 (GRC)	

6 . POWER SUPPLY PCB



MODEL PT-12/15/3000 5V1-232-102

7 . PRINTED MATTER



MODEL PT-12/15/3000 5V1-232-920

6 . POWER SUPPLY PCB

REF.NO.	SYMBOL	CODE	QTY	DESCRIPTION	REMARKS
1-21	B48J063	UB3839001	1	PS PCB ASSY 12 (SP)	
1	J1	UB0116000	1	AC JACK:S-G9312	
2	L1	U16735000	1	COIL:PLT1R53C	
3	P1	UB3833001	1	RELAY HARNESS 12	
4	B1	UB3834001	1	PS HARNESS 12	
5	L2	UB0143000	1	COIL:MCPT100MH	
6	C1	Y43322601	1	CAPACITOR, ALUM-ELEC 16B332	
7	C3	Y44701601	1	CAPACITOR, ALUM-ELEC 10B470	
8	C4	UB3842000	1	CAPACITOR, ALUM-ELEC 16B222	
9	#1	UB3859000	1	REGULATOR:U7201L50	
10	Q1	U15058000	1	TRANSISTOR, :2SC2603	
11	Q2,Q3	UB2530000	2	TRANSISTOR, :2SC3247	
12	Q4	UB2614000	1	TRANSISTOR, :2SD1961-RS	
13	D4	UB2113000	1	DIODE, :RK14	
14	D1,D2,D3	341786000	3	DIODE, :1S2076	
15	ZD1	U15861000	1	DIODE, ZENER:HZ11C2L	
16	C2	Y23320005	1	CAPACITOR, 50B332	
17	R1	090470320	1	FIXED RESISTOR, D-A12YJ470	
18	R5	090153120	1	FIXED RESISTOR, D-A14YJ153	
19	R6	090332120	1	FIXED RESISTOR, D-A14YJ332	
20	R2,R4,R7	090102120	3	FIXED RESISTOR, D-A14YJ102	
21	R3	090331120	1	FIXED RESISTOR, D-A14YJ331	

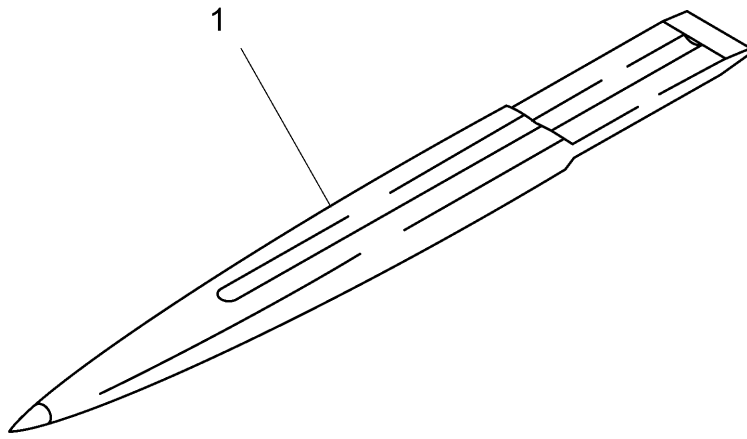
MODEL PT-12/15/3000 5V1-232-102

7 . PRINTED MATTER

REF.NO.	SYMBOL	CODE	QTY	DESCRIPTION	REMARKS
1		UB3756001	1	USER'S MANUAL, PT-12/15 (USA)	
1		UB3757001	1	USER'S MANUAL, PT-15 CA, ENGLISH	
1		UB3758001	1	USER'S MANUAL, PT-3000 GBR.ENGLISH	
1		UB3759001	1	USER'S MANUAL, PT-3000 GERMAN	
1		UB3761001	1	USER'S MANUAL, PT-3000 FRENCH	
1		UB3762001	1	USER'S MANUAL, PT-3000 DANISH	
1		UB3763001	1	USER'S MANUAL, PT-3000 DUTCH	
1		UB3764001	1	USER'S MANUAL, PT-3000 SWEDISH	
1		UB3765001	1	USER'S MANUAL, PT-3000 SPANISH	
1		UB3766001	1	USER'S MANUAL, PT-3000 ITALIAN	
1		UB3767001	1	USER'S MANUAL, PT-3000 CHE.FRENCH	
1		UB3894001	1	USER'S MANUAL, PT-15 CAN.FRENCH	
1		UB3889001	1	USER'S MANUAL, PT-3000 CHE.GERMAN	
1		UB3895001	1	USER'S MANUAL, PT-3000 NORWEGIAN	
1		UB3896001	1	USER'S MANUAL, PT-3000 FINNISH	
1		UB4205001	1	USER'S MANUAL, PT-3000 GREEK	
2		UB2736001	1	TAPE CATALOG, USA	
2		UB1946001	1	TAPE CATALOG, GERMAN	
2		UB2561001	1	TAPE CATALOG, UK	
2		UB2562001	1	TAPE CATALOG, DANISH	
2		UB2563001	1	TAPE CATALOG, ITALIAN	
2		UB2435001	1	TAPE CATALOG, CANADA	
3		UB0792001	1	WARRANTY CARD, CAN.ENGLISH	
3		UB0793001	1	WARRANTY CARD, CAN.FRENCH	
3		UN0183001	1	WARRANTY CARD, USA.ENGLISH	
3		UB2565001	1	WARRANTY CARD, SWEDISH	
3		UB3650001	1	WARRANTY CARD, FRENCH	
3		UH3851001	1	WARRANTY CARD, EUROPE	
4		UB1922001	1	INSERTION SHEET, CANADA	
5		UB4174001	1	UNPACKING INSTRUCTION PT-12	

MODEL PT-12/15/3000 5V1-232-920

8 . ATTACHMENTS



MODEL PT-12/15/3000 5V1-232-910

8 . ATTACHMENTS

REF.NO.	CODE	Q'TY	DESCRIPTION	REMARKS
1	UB2376005	1	LETTERING STICK, GRAY738	

MODEL PT-12/15/3000 5V1-232-910

brother[®]

January, 2000
5V1032BE1
Printed in Japan