

brother®

P-touch

PARTS REFERENCE LIST

MODEL: PT-1280

MECHANISMS & ELECTRONICS

NOTES FOR USING THIS PARTS REFERENCE LIST

1. When ordering parts, inform us of the following items:

- (1) Code
- (2) Q'ty
- (3) Description
- (4) Symbol (PCB No., Revision, and Parts location mounted on the PCB.)

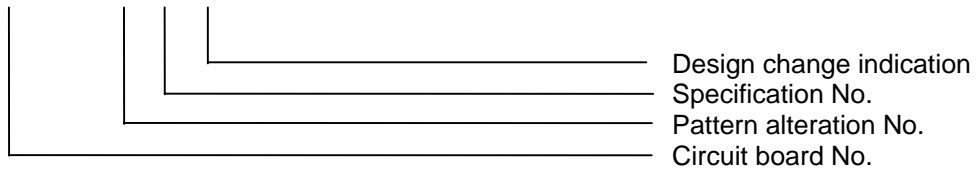
Note : Orders without Parts Code or Tool No. cannot be accepted.

[Example]

REF. NO.	SYMBOL	CODE	Q'TY	DESCRIPTION	REMARKS
					R

Revision No. : marked on the printed circuit board.

B55L139 - 1 01 A



2. Design-changed parts:

When the parts are design-changed, any one of the following symbols is indicated in the REMARKS column.

- CHNG#A: compatible between old and new
- CHNG#B: replaceable from old to new
- CHNG#D : incompatible
- ADD : newly added

3. Parts marked with an "R" in the REMARKS column are recommended spare parts.

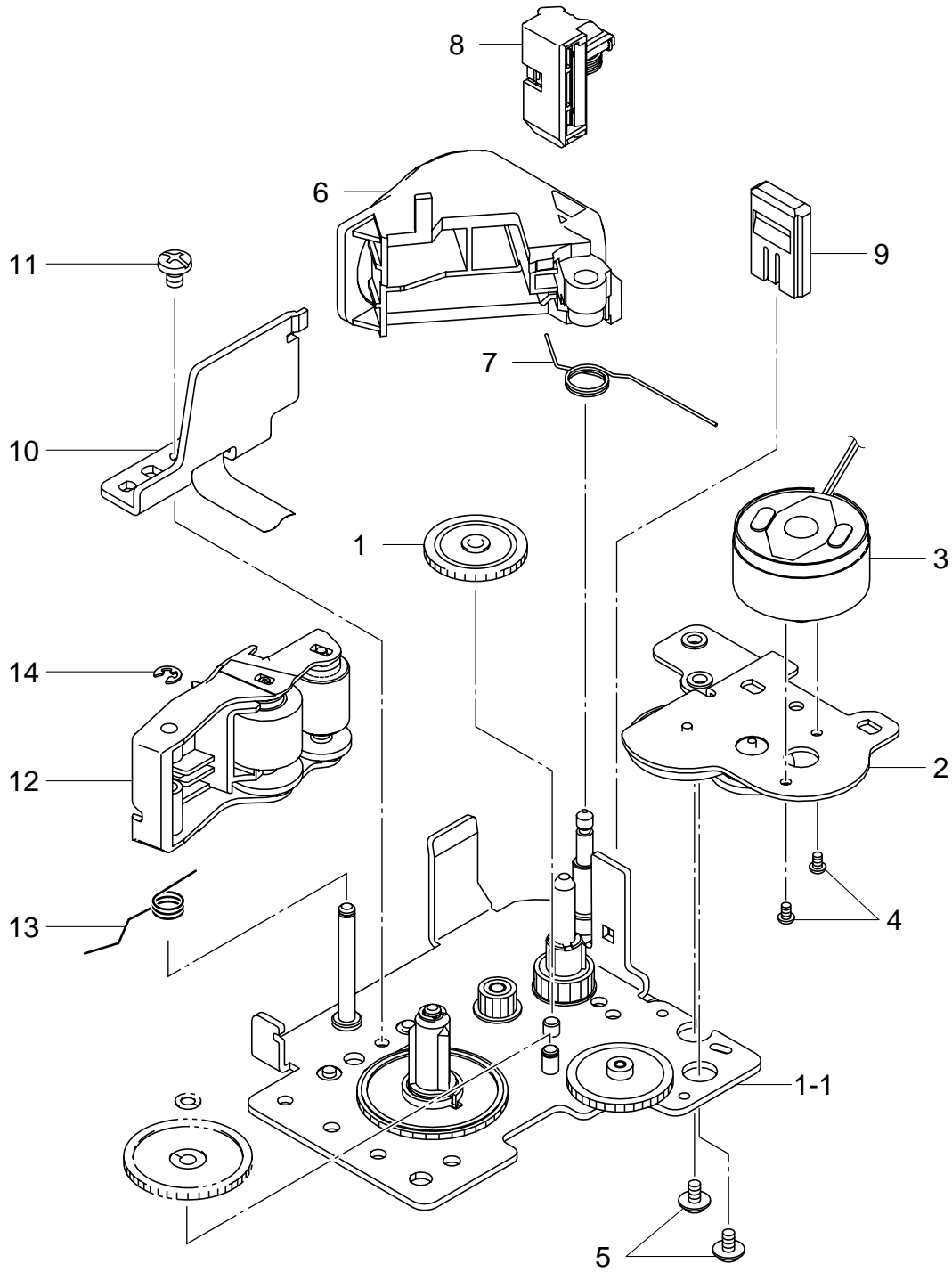
4. The original of this list was made based on the information as of April, 2005.

5. Parts are subject to change in design without prior notice.

CONTENTS

1 . PRINT MECHANISM	1
2 . COVERS	3
3 . MAIN PCB ASSY	5
4 . RUBBER KEY	7
5 . SENSORS	7
6 . POWER SUPPLY PCB	9
7 . ATTACHMENTS	9
8 . PRINTED MATTER	11
9 . PACKING MATERIALS	13

1 . PRINT MECHANISM

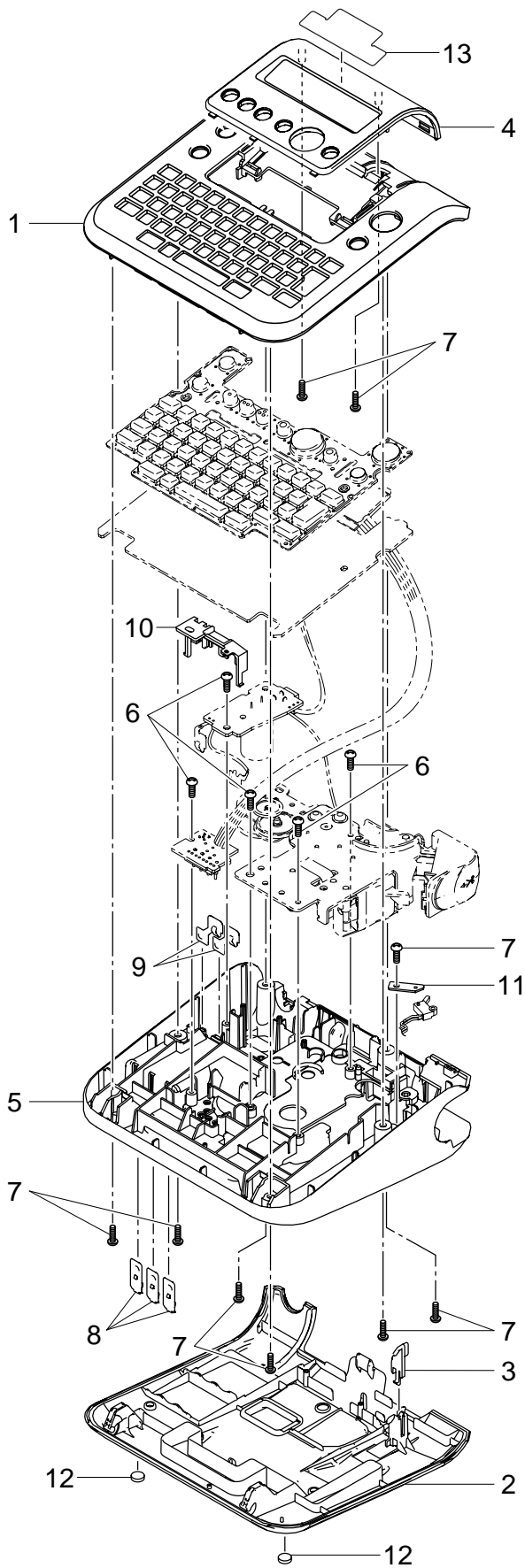


MODEL PT-1280 8V2-355-045

1 . PRINT MECHANISM

REF.NO.	CODE	Q'TY	DESCRIPTION	REMARKS
1-1	LN6880001	1	CHASSIS ASSY 1280	
1	LA3195001	1	IDLE GEAR	
2	LN6882001	1	MOTOR CHASSIS ASSY 1280	
3	LN6883001	1	DC MOTOR ASSY 1280 F	
4	UN3640001	2	SCREW, PAN 1.7X2.5	
5	LN7093001	2	SCREW PAN (S/P WASHER) M3X5	
6	LN6775001	1	CUTTER LEVER 1280	
7	LN6886001	1	CUTTER LEVER SPRING 1280	
8	LN5644001	1	CUTTER CASE ASSY 1000	
9	LA3203001	1	BOARD	
10	LA3204001	1	HEAD ASSY KF1800-21	R
11	060300416	1	SCREW BIND M3X4	
12	LN6887001	1	ROLLER HOLDER ASSY 1280	R
13	LA3218001	1	ROLLER HOLDER RELEASE SPRING	
14	048020346	1	RETAINING RING E2	

2 . COVERS

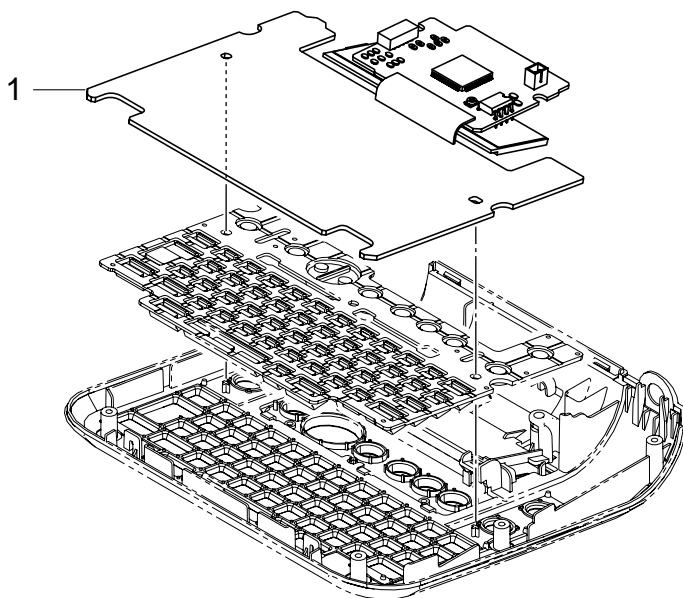
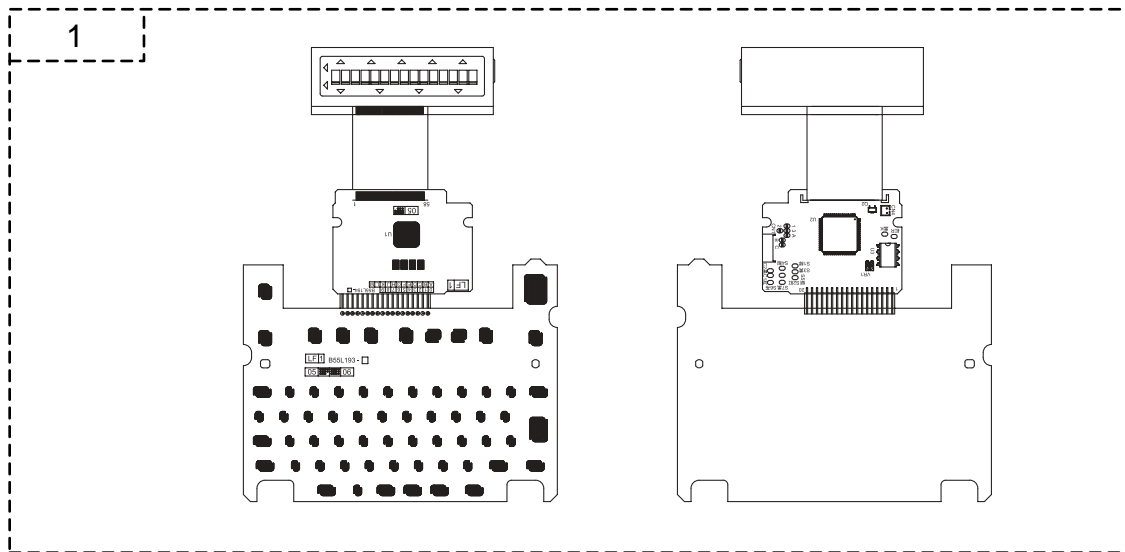


MODEL PT-1280 8V2-355-061

2 . COVERS

REF.NO.	CODE	Q'TY	DESCRIPTION	REMARKS
1	LN6776001	1	UPPER COVER 1280 US (USA/CAN)	
1	LN7092001	1	UPPER COVER 1280 EU (EUROPE/ZAF)	
2	LN6778001	1	CASSETTE COVER 1280 US, METALLIC BLUE6363 (USA/CAN)	
2	LN6778002	1	CASSETTE COVER 1280 US, SILVER1585 (EUROPE/ZAF)	
3	LN6779001	1	HOLDER CAM 1280	
4	LN6931001	1	LCD COVER 1280 EU (EUROPE/ZAF)	
4	LN6780001	1	LCD COVER 1280 US (USA/CAN)	
5	LN6777001	1	BOTTOM COVER 1280, BLUE6483 (USA/CAN)	
5	LN6777002	1	BOTTOM COVER 1280, BLACK1553 (EUROPE/ZAF)	
6	085270616	5	TAPTITE BIND B M2.6X6	
7	085271017	9	TAPTITE BIND B M2.6X10	
8	LA3867000	3	BATTERY TERMINAL A (+,-)	
9	LA3228000	2	BATTERY TERMINAL B (+,-)	
10	LN5616001	1	TERMINAL PRESS COVER 1000	
11	LA8035001	1	SW HOLD PLATE	
12	LA5753001	2	LOWER FOOT 2300	
13	LN7423001	1	LCD MYLAR LABEL 1280EU (EUROPE/ZAF)	
13	LN7347001	1	LCD MYLAR LABEL 1280US (USA)	

3 . MAIN PCB ASSY

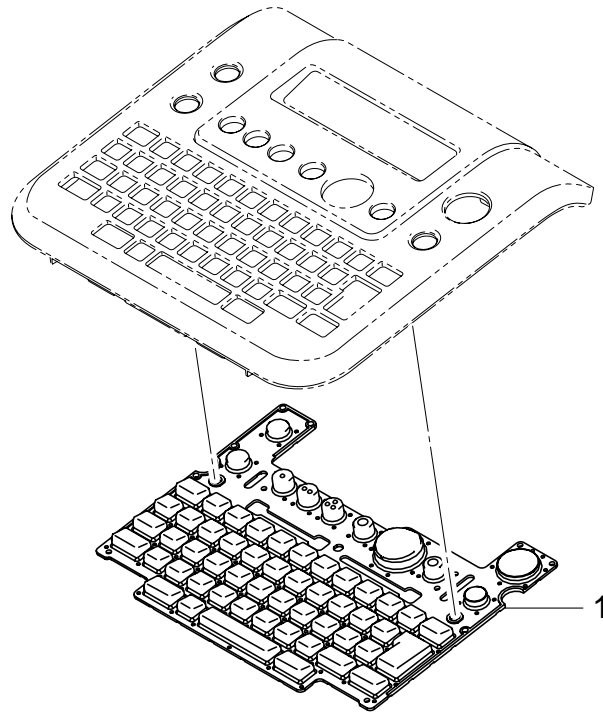


Spec. No.	ROM version	Main PCB parts code	Destination (Keypad version)	Solder points		
				1	2	3
01	USA	LN6855001	US	Low (Closed)	High (Open)	High (Open)
02	GBR	LN6855002	UK	High (Open)	High (Open)	High (Open)
03	DEU	LN6855003	GE	High (Open)	Low (Closed)	High (Open)
04	FRA	LN6855004	FR	High (Open)	High (Open)	Low (Closed)
43	AUT	LN6855005	GE	High (Open)	Low (Closed)	High (Open)
12	ESP	LN6855006	UK	High (Open)	High (Open)	High (Open)
22	DNK	LN6855007				
32	CHE	LN6855008				
42	ZAF	LN6855009				

3 . MAIN PCB ASSY

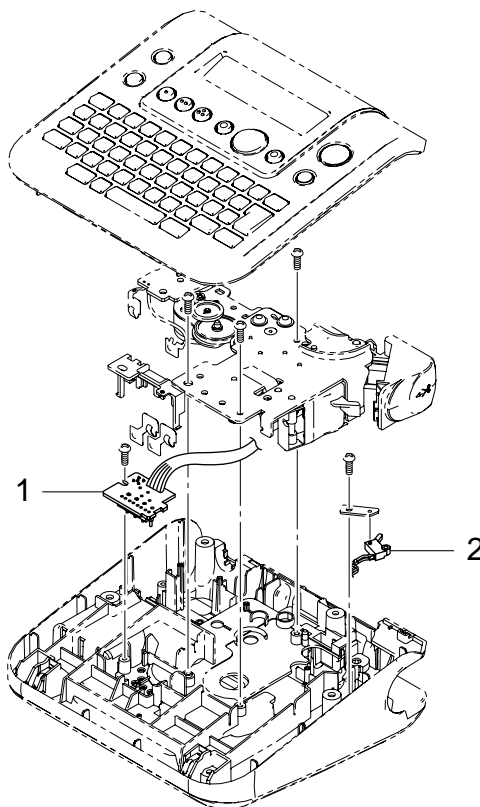
REF.NO.	SYMBOL	CODE	QTY	DESCRIPTION	REMARKS
1	B55L194-201	LN6855001	1	MAIN PCB ASSY PT-1280 (USA/CAN)	R
1	B55L194-202	LN6855002	1	MAIN PCB ASSY PT-1280 (GBR)	R
1	B55L193-203	LN6855003	1	MAIN PCB ASSY PT-1280 (DEU)	R
1	B55L194-204	LN6855004	1	MAIN PCB ASSY PT-1280 (FRA)	R
1	B55L194-243	LN6855005	1	MAIN PCB ASSY PT-1280 (AUT)	R
1	B55L194-212	LN6855006	1	MAIN PCB ASSY PT-1280 (ESP)	R
1	B55L194-222	LN6855007	1	MAIN PCB ASSY PT-1280 (DNK)	R
1	B55L194-232	LN6855008	1	MAIN PCB ASSY PT-1280 (CHE)	R
1	B55L194-242	LN6855009	1	MAIN PCB ASSY PT-1280 (ZAF)	R

4 . RUBBER KEY



MODEL PT-1280 8V2-355-003

5 . SENSORS



MODEL PT-1280 8V2-355-100

4 . RUBBER KEY

REF.NO.	CODE	Q'TY	DESCRIPTION	REMARKS
1	LN6930001	1	RUBBER 60 KEY 1280 GE (DEU/AUT)	
1	LN6929001	1	RUBBER 60 KEY 1280 UK (GBR/ZAF/DNK/CHE/ESP)	
1	LN6932001	1	RUBBER 60 KEY 1280 FR (FRA)	
1	LN6769001	1	RUBBER 60 KEY 1280 US (USA/CAN)	

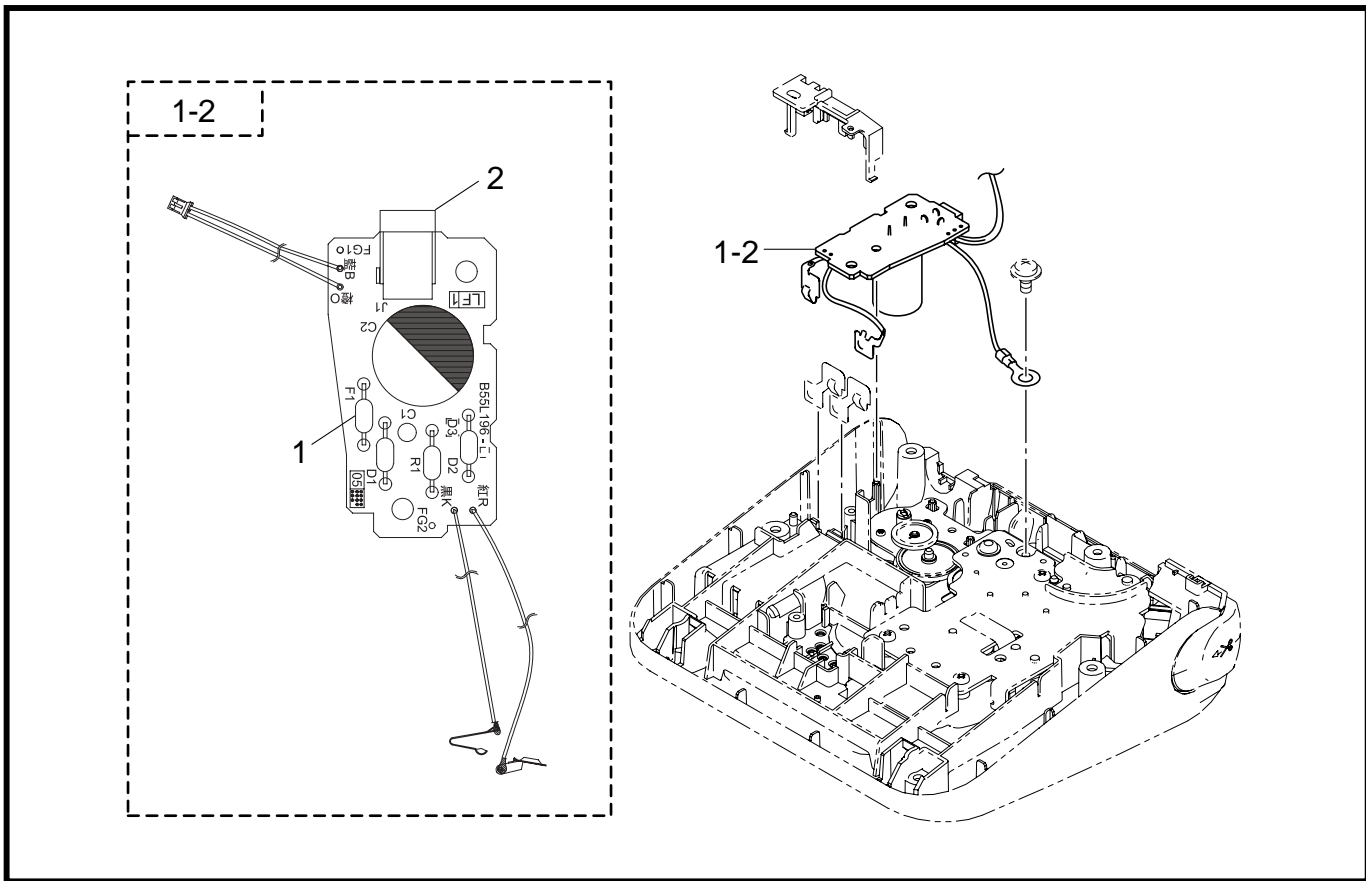
MODEL PT-1280 8V2-355-003

5 . SENSORS

REF.NO.	SYMBOL	CODE	Q'TY	DESCRIPTION	REMARKS
1	B55L197-1B	LN6865001	1	CASSETTE SENSOR PCB ASSY 1280	R
2	MSL-1B	LN6872001	1	CUTTER SENSOR ASSY 1280	R

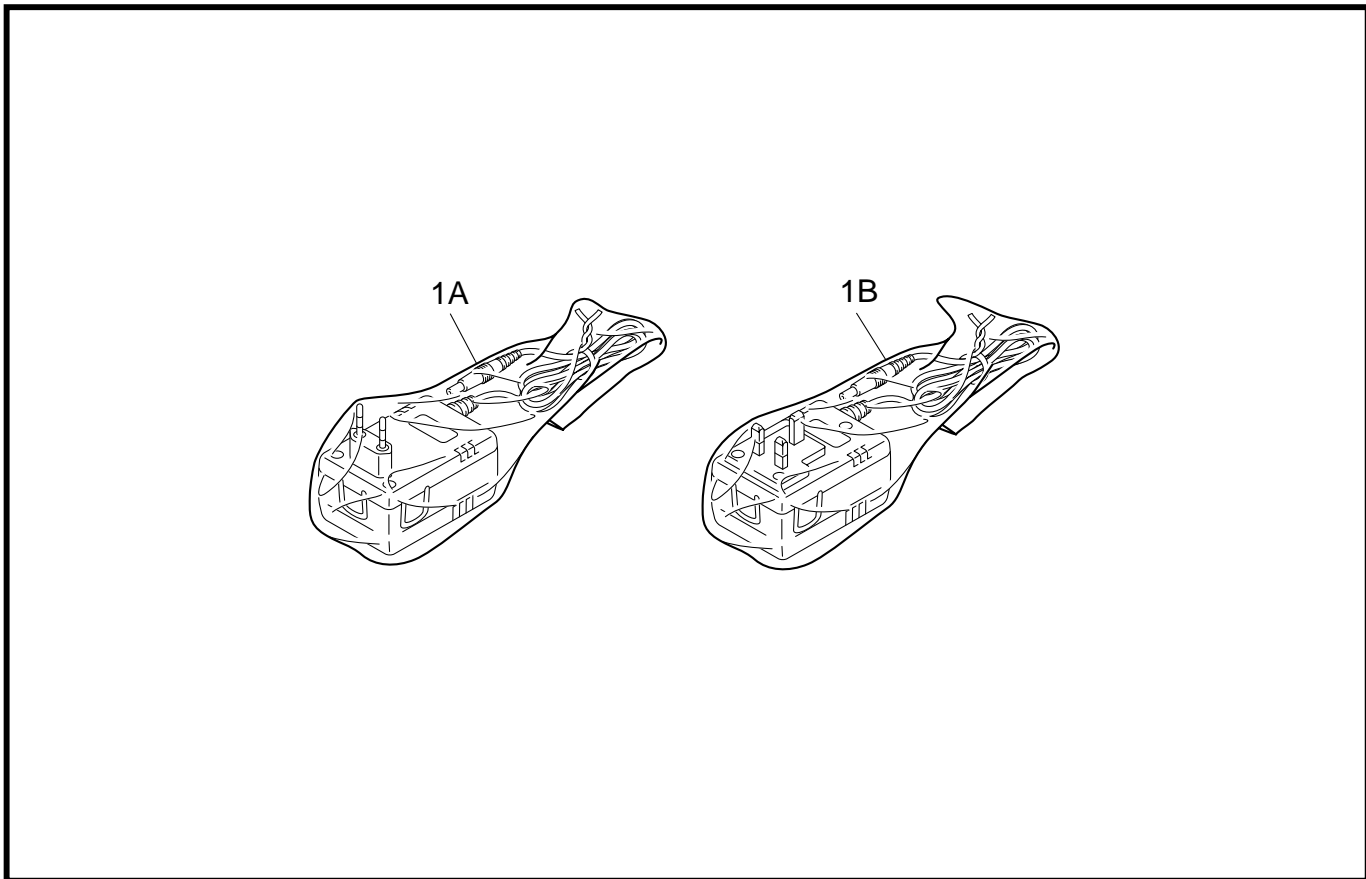
MODEL PT-1280 8V2-355-100

6 . POWER SUPPLY PCB



MODEL PT-1280 8V2-355-102

7 . ATTACHMENTS



MODEL PT-1280 8V2-355-910

6 . POWER SUPPLY PCB

REF.NO.	SYMBOL	CODE	Q'TY	DESCRIPTION	REMARKS
1-2	B55L196-1A	LN6874001	1	POWER PCB ASSY 1280	R
1	F1	UN0999000	1	FUSE, 125V4A	
2	J1	W00325001	1	JACK, HEC0470	

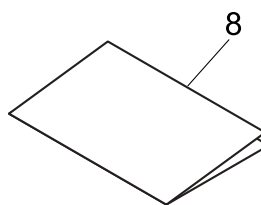
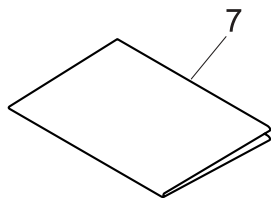
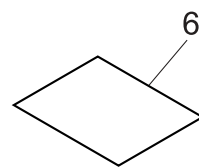
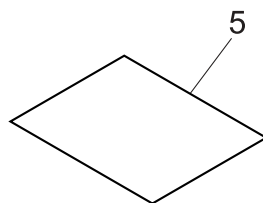
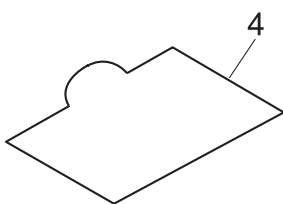
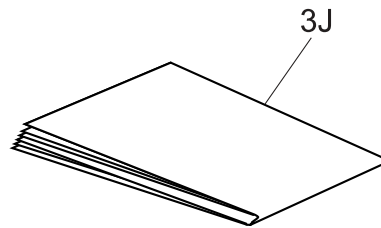
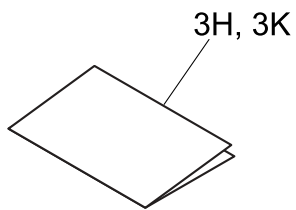
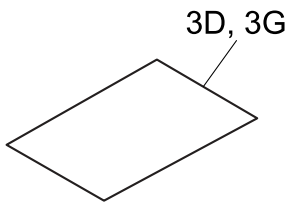
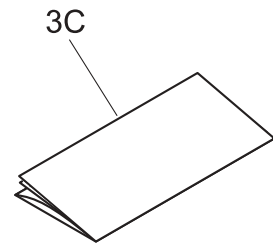
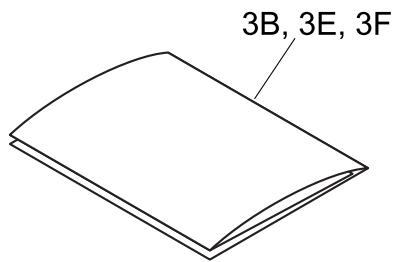
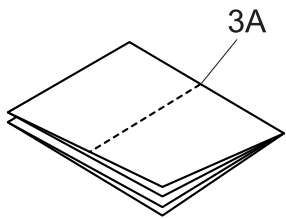
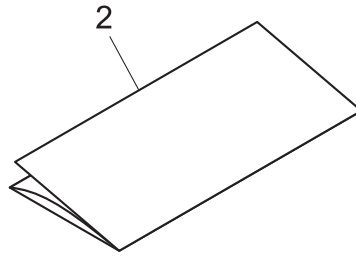
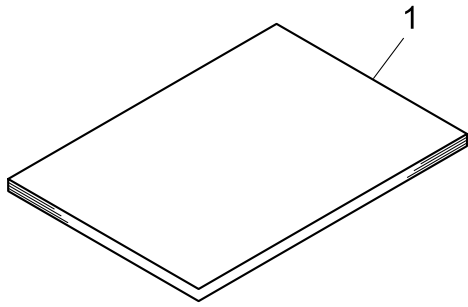
MODEL PT-1280 8V2-355-102

7 . ATTACHMENTS

REF.NO.	SYMBOL	CODE	Q'TY	DESCRIPTION	REMARKS
1A		LN7176001	1	ADAPTER MDL-G1 EC (DEU/FRA/AUT/ESP/ZAF) (PT1280VP)	
1B		LN7175001	1	ADAPTER MDL-G1 UK (GBR) (PT1280VP)	

MODEL PT-1280 8V2-355-910

8. PRINTED MATTER

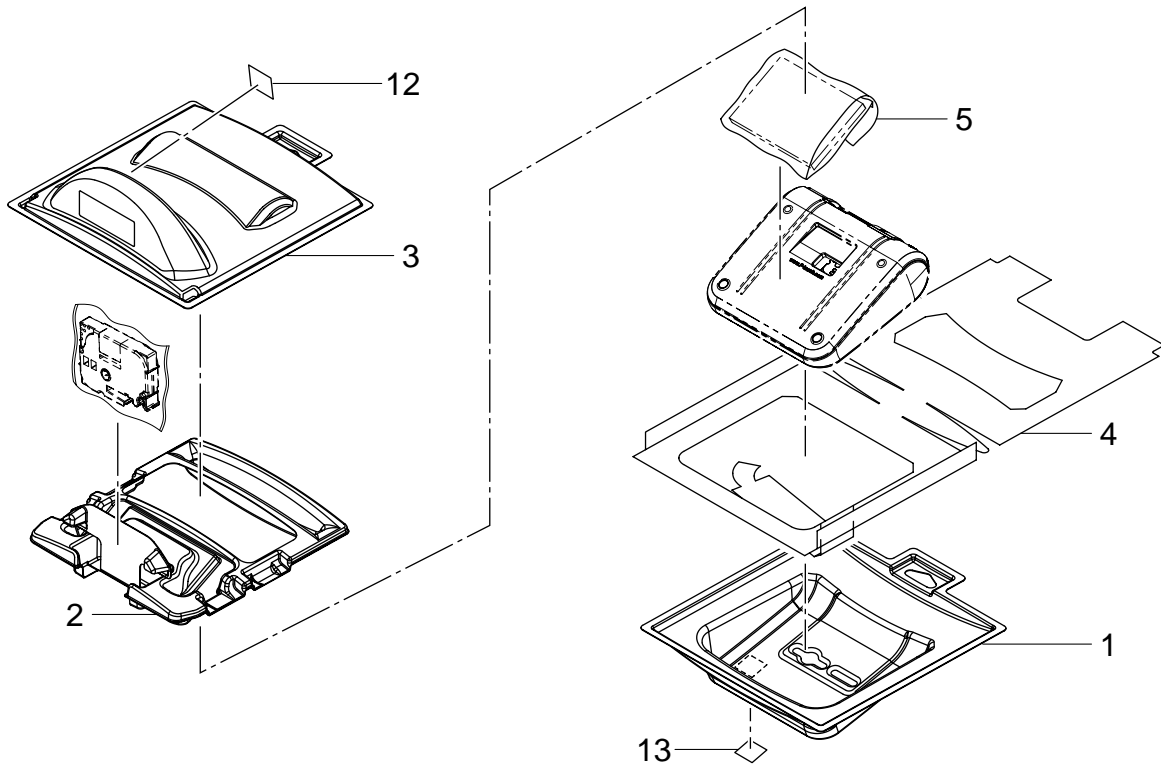


8 . PRINTED MATTER

REF.NO.	SYMBOL	CODE	Q'TY	DESCRIPTION	REMARKS
1		LN7429001	1	USER'S MANUAL 1280 DEU (DEU/AUT)	
1		LN7424001	1	USER'S MANUAL 1280 GBR (GBR/AUT/ZAF)	
1		LN7432001	1	USER'S MANUAL 1280 FRA/DUT (FRA)	
1		LN7443001	1	USER'S MANUAL 1280 DAN/NOR (DNK)	
1		LN7444001	1	USER'S MANUAL 1280 SWE/FIN (DNK)	
1		LN7447001	1	USER'S MANUAL 1280 CHE FR/GER (CHE)	
1		LN7448001	1	USER'S MANUAL 1280 ITA/DUT (CHE)	
1		LN7436001	1	USER'S MANUAL 1280 POL/HUN (AUT)	
1		LN7437001	1	USER'S MANUAL 1280 CZE/SVN (AUT)	
1		LN7440001	1	USER'S MANUAL 1280 SPA/POR (ESP)	
1		LN7348001	1	USER'S MANUAL 1280 US (USA)	
1		LN7507001	1	USER'S MANUAL 1280 CAN ENG/FRA (CAN)	
2		LN7433001	1	TAPE CATALOG 12 (EUROPE)	
2		LN2976001	1	TAPE CATALOG 9500 US (USA)	
3A	C	LA1661001	1	WARRANTY CARD EURO CH (EUROPE)	
3B	B	LA4059001	1	WARRANTY CARD US CH (USA)	
3C		LM4756001	1	WARRANTY CARD IRE (GBR)	
3D		LN7475001	1	WARRANTY CARD EEU (AUT)	
3E	2	LJ5400001	1	WARRANTY CARD SPA (ESP)	
3F	1	LM2652001	1	WARRANTY CARD POR (ESP)	
3G	1	LF2491001	1	12 MONTH WARRANTY BOOKLET UK (GBR)	
3H	1	LM2019001	1	WARRANTY CARD, SWE/NOR (DNK)	
3J	B	UN8607001	1	WARRANTY CARD, CAN.E/F (CAN)	
3K	1	LF4280001	1	3YR GUARANTEE CARD GER (DEU)	
4		LN6297001	1	REGISTER INSERTION US CH (USA)	
5		LN7508001	1	LEGEND INSERTION 1280 (CAN)	
6		LN7509001	1	LEGEND LABEL 1280 (CAN)	
7	C	LA8624001	1	ACCESSORY ORDER FORM LIST (USA)	
8	A	LA7938001	1	1180 ACCESSORY ORDER FORM CACH (USA)	

9 . PACKING MATERIALS

PT-1280



PT-1280VP

9 . PACKING MATERIALS

REF.NO.	SYMBOL	CODE	QTY	DESCRIPTION	REMARKS
1		LN6890000	1	CLAM SHELL UPPER 1280 (PT-1280)	
2		LN7112000	1	CLAM SHELL MIDDLE 1280 (PT-1280)	
3		LN6891000	1	CLAM SHELL LOWER 1280 (PT-1280)	
4		LN7425001	1	COMMERCIAL SHEET PT1280 EU (EUROPE/ZAF) (PT-1280)	
4		LN6892001	1	COMMERCIAL SHEET PT1280 US (USA) (PT-1280)	
4		LN7510001	1	COMMERCIAL SHEET PT1280 CAN (CAN) (PT-1280)	
5		LA7456001	1	PE BAG, 130X250	
6		LN7454001	1	CARTON PT-1280VP (PT-1280VP)	
7		LN7453001	1	CARRYING CASE 1280 (PT-1280VP)	
8		LN7473001	1	PE BAG 1280VP (PT-1280VP)	
9		LA3933000	1	CASSETTE PAD 2 (PT-1280VP)	
10		LN0003000	1	PAD 58X15X20 (PT-1280VP)	
11		LA6496001	1	BAG,230X280 (PT-1280VP)	
12		LN6939001	1	AUSTRIA LABEL SMALL (AUT)	
13		LF4281001	1	3YR GUARANTEE MYLAR LABEL GER (DEU)	

MODEL PT-1280 8V2-355-930

brother®

April 2005
8V2061BE0
Printed in Japan