



P-touch

PARTS REFERENCE LIST

MODEL: PT-1750/1750BOX/1760

MECHANISMS & ELECTRONICS

NOTES FOR USING THIS PARTS REFERENCE LIST

1. In the case of ordering parts, it needs mentioning the following items:

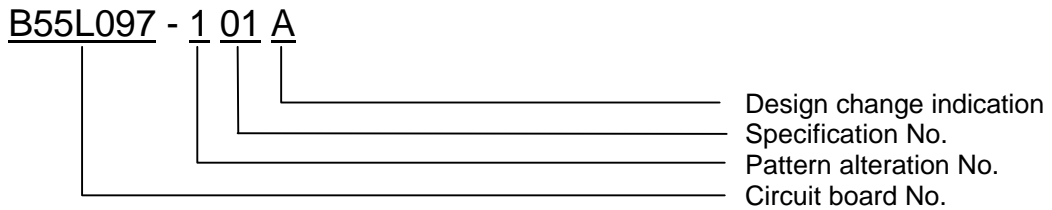
- (1) Code
- (2) Q'ty
- (3) Description
- (4) Symbol (PCB No., Revision , and Parts location mounted on the PCB.)

Note : No orders without Parts Code or Tool No. can be accepted.

[Example]

REF. NO.	SYMBOL	CODE	Q'TY	DESCRIPTION	REMARKS

Revision No. : marked on the printed circuit board.



2. Design-changed parts:

When the parts are changed, any one of the following symbols is indicated in the REMARKS column.

- CHNG#A : compatible between old and new
- CHNG#B : replaceable from old to new
- CHNG#D : incompatible
- ADD : newly established

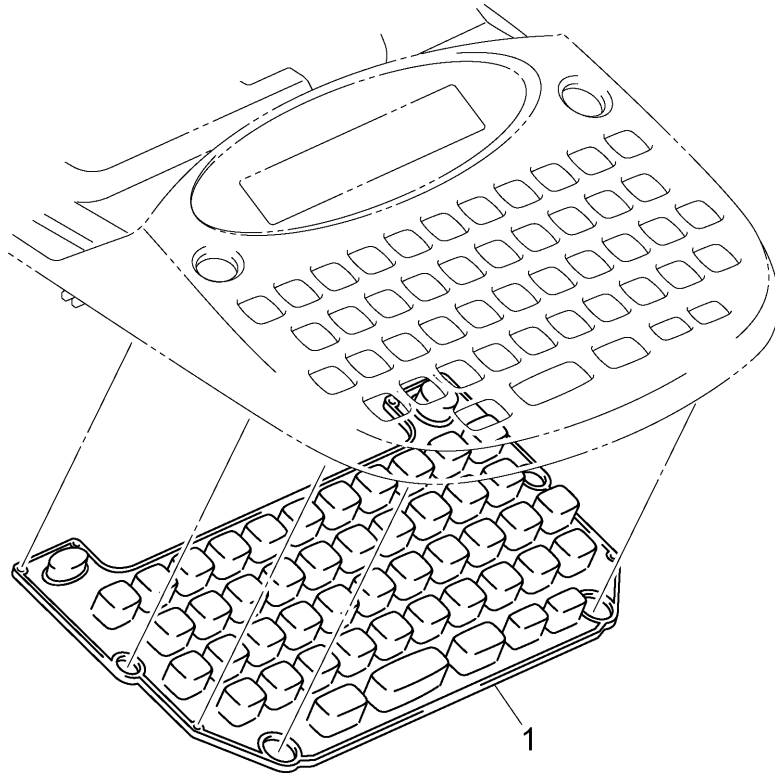
3. The original of this list was made based on the information available in March, 2001.

4. Parts are subject to change in design without prior notice.

CONTENTS

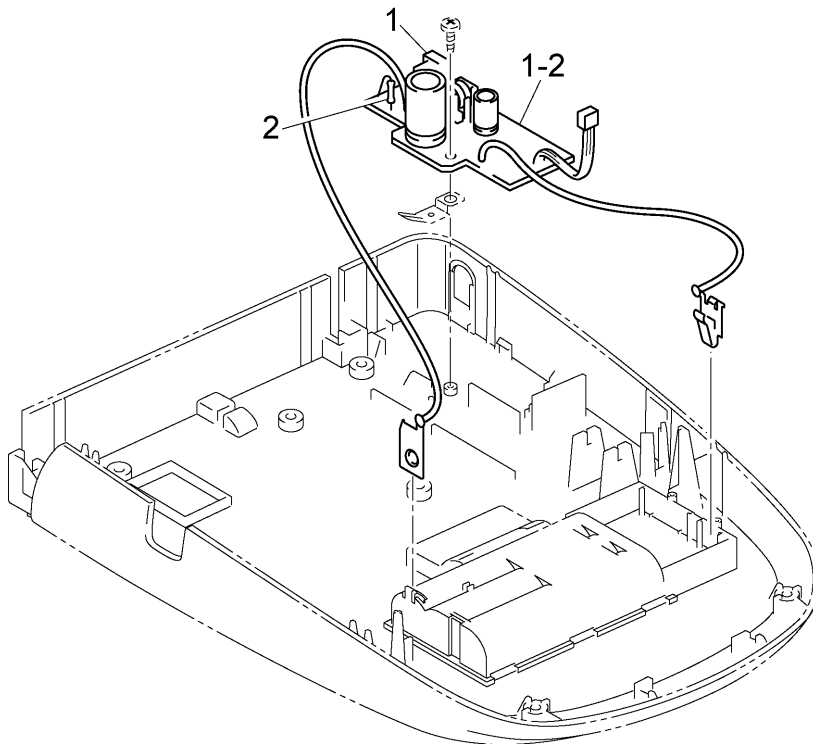
1 . RUBBER KEY.....	1
2 . SUB PCB.....	1
3 . PRINT MECHANISM	3
4 . COVERS	5
5 . MAIN PCB	7
6 . SENSORS.....	9
7 . PRINTED MATTER	9
8 . PACKING MATERIALS.....	11

1 . RUBBER KEY



MODEL PT-1750 8V2-306-003

2 . SUB PCB



MODEL PT-1750 8V2-306-102

1 . RUBBER KEY

PtPn030153

REF.NO.	CODE	Q'TY	DESCRIPTION	REMARKS
1	LA4857001	1	RUBBER 49 KEY 1750 US, GRAY1395 (USA/CAN/AUS) (PT-1750B BULK/1750B)	ADD
1	LA4857002	1	RUBBER 49 KEY 1750 US, GRAY1267 (USA/CAN) (PT-1750BULK/1750)	
1	LA4857003	1	RUBBER 49 KEY 1750 US, GRAY1726 (USA) (PT-1760)	ADD
1	LA8497001	1	RUBBER 49 KEY 1750 GE, GRAY1395 (DEU/AUT) (PT-1750BOX)	ADD
1	LA4914001	1	RUBBER 49 KEY 1750 UK, GRAY1395 (GBR) (PT-1750B)	
1	LA4914002	1	RUBBER 49 KEY 1750 UK, GRAY1267 (GBR) (PT-1750)	
1	LA9350001	1	RUBBER 49 KEY 1750 UK2, GRAY1395 (GBR/NLD/DNK/ITA) (PT-1750BOX)	ADD
1	LA8608001	1	RUBBER 49 KEY 1750 BEL, GRAY1395 (BEL) (PT-1750BOX)	ADD

MODEL PT-1750/1760 8V2-306-003

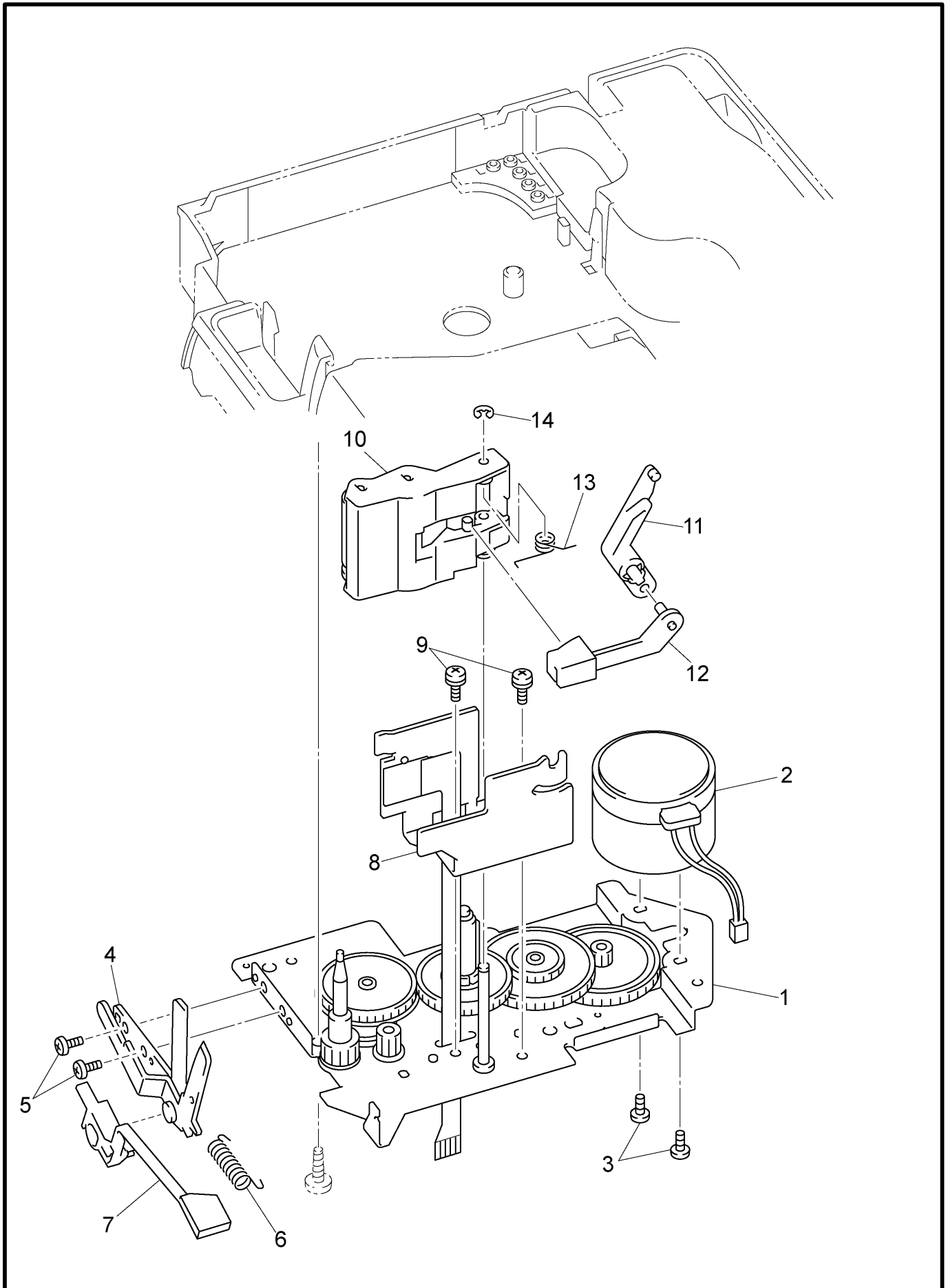
2 . SUB PCB

PT2001012

REF.NO.	SYMBOL	CODE	Q'TY	DESCRIPTION	REMARKS
1-2	B55L098-1	LA4878001	1	POWER SUPPLY PCB ASSY 1750	CHNG#A
1		W00325001	1	JACK, HEC0470	
2		UN0999000	1	FUSE, 125V4A	

MODEL PT-1750/1760 8V2-306-102

3 . PRINT MECHANISM



MODEL PT-1750 8V2-306-045

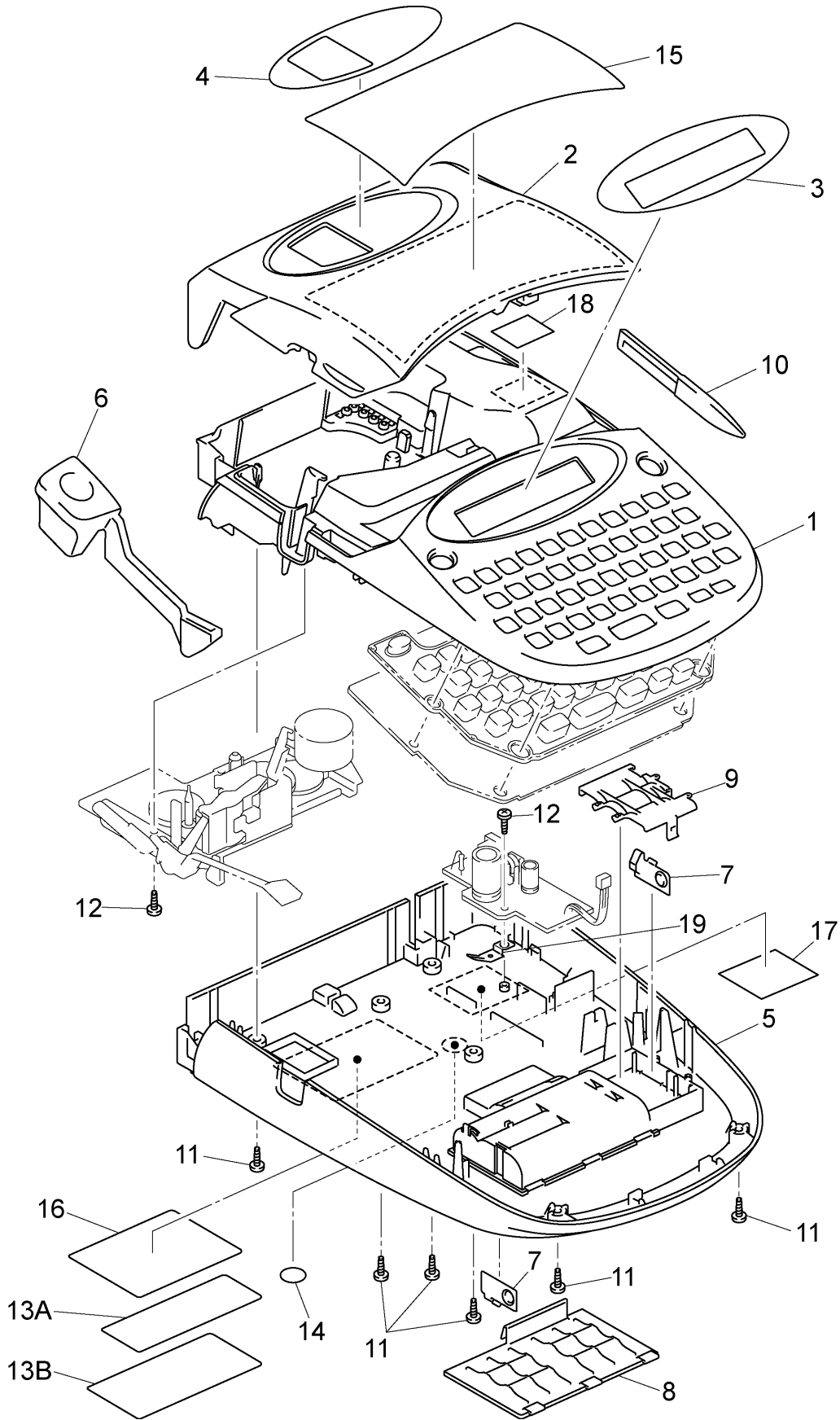
3 . PRINT MECHANISM

PtPn030153

REF.NO.	CODE	Q'TY	DESCRIPTION	REMARKS
1	LA4858001	1	FRAME ASSY 1750	
2	LA4869001	1	DC MOTOR ASSY PT1750	
3	002260306	2	SCREW, PAN M2.6X3 (PT-1750B/1750B BULK/1750BOX/1760)	ADD
3	UB3848001	2	SCREW, PAN M2.6X3.5 (PT-1750/1750 BULK)	
4	UN4279001	1	CUTTER ASSY	
5	085320515	2	TAPTITE, BIND S M3X5	
6	UN4285001	1	SPRING	
7	LA4883001	1	CUTTER SENSOR ARM	
8	LA4884001	1	HEAD ASSY, KF1800-23	CHNG#A
9	060300415	2	SCREW, BIND M3X4 (PT1750B/1750B BULK/1750BOX/1760)	ADD
9	0A4300605	2	SCREW, PAN (S/P WASHER) M3X6 (PT-1750/1750 BULK)	
10	LA4711001	1	ROLLER HOLDER ASSY 240	
11	LA4886001	1	ROLLER RELEASE LEVER 1750	
12	LA4887001	1	ROLLER HOLDER RELEASE ROD	
13	LA4888001	1	ROLLER HOLDER RELEASE SPRING	
14	048020346	1	RETAINING RING, E2	

MODEL PT-1750/1760 8V2-306-045

4. COVERS



MODEL PT-1750 8V2-306-061

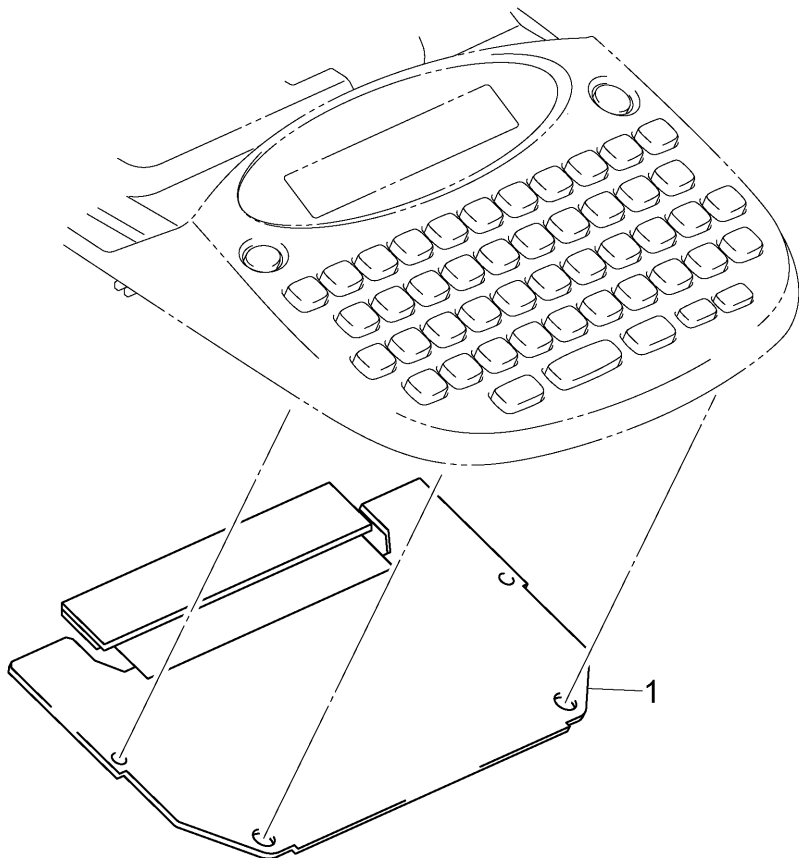
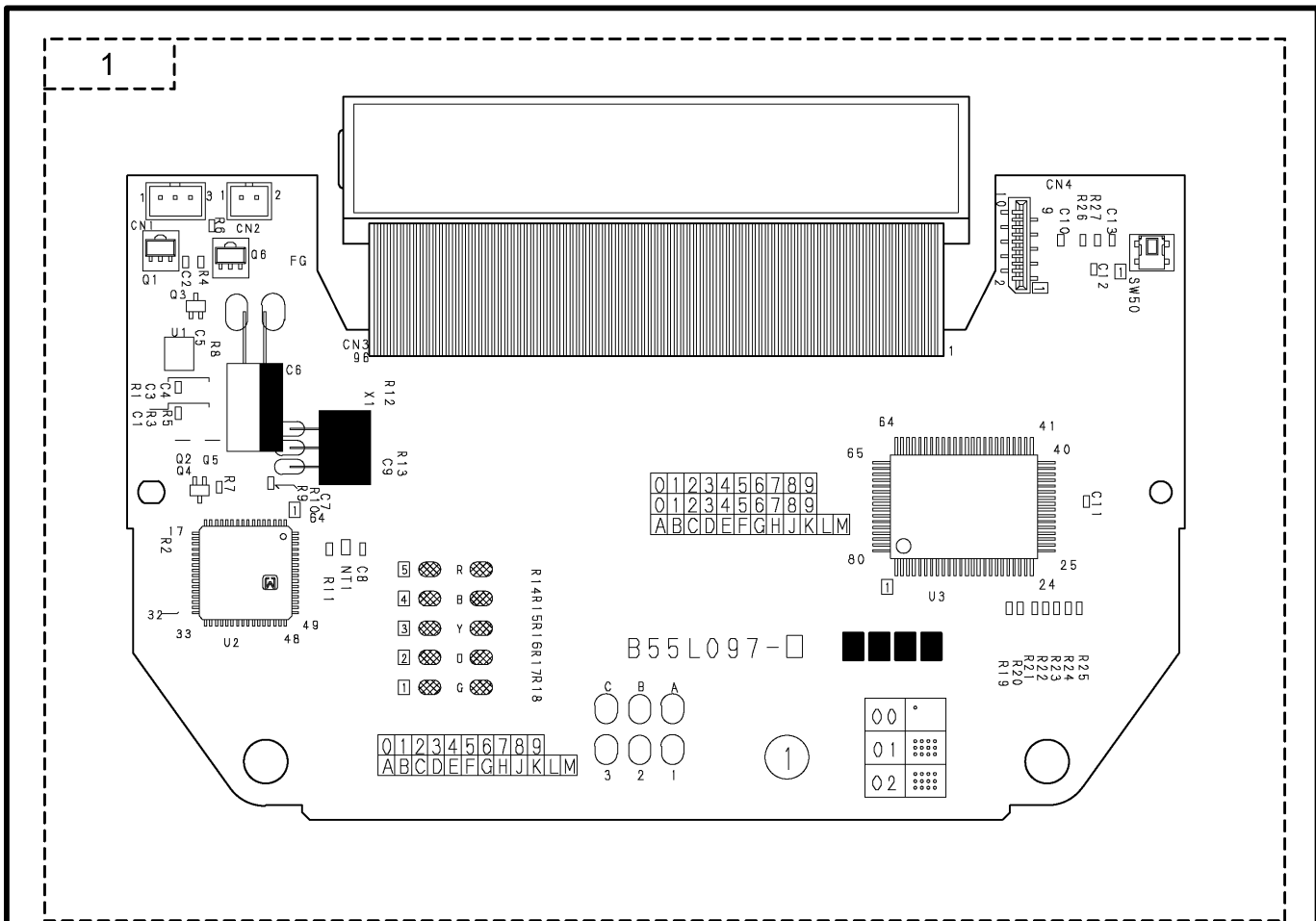
4 . COVERS

PtPn030153

REF.NO.	CODE	Q'TY	DESCRIPTION	REMARKS
1	LA4889001	1	UPPER COVER 1750US, SILVER1585 (USA/CAN/AUS) (PT-1750B BULK/1750B)	ADD
1	LA4889002	1	UPPER COVER 1750US, WHITE1397 (USA/CAN) (PT-1750BULK/1750)	
1	LA4889003	1	UPPER COVER 1750US, GRAY1725 (USA) (PT-1760)	ADD
1	LA8498001	1	UPPER COVER 1750GE, GRAY1593 (DEU/AUT) (PT-1750BOX)	ADD
1	LA4915001	1	UPPER COVER 1750UK, GRAY1593 (GBR) (PT-1750B)	
1	LA4915003	1	UPPER COVER 1750UK, GRAY1593 (GBR/NLD/DNK/ITA/BEL) (PT-1750BOX)	ADD
1	LA4915002	1	UPPER COVER 1750UK, WHITE1397 (GBR) (PT-1750)	
2	LA4890001	1	CASSETTE COVER 1750, BLUE6350 (USA/CAN/AUS/DEU/GBR/NLD/DNK/AUT/ITA/BEL) (PT-1750B BULK/1750B/1750BOX)	
2	LA4890002	1	CASSETTE COVER 1750, GREEN5158 (USA/CAN/GBR) (PT-1750BULK/1750)	
2	LA4890003	1	CASSETTE COVER 1750, GRAY1725 (USA) (PT-1760)	ADD
3	LA4891001	1	LCD PANEL 1750US (USA)	ADD
3	LA4908001	1	LCD PANEL 1750CA (CAN)	
3	LA4908003	1	LCD PANEL 1750CA (USA) (PT-1760)	ADD
3	LA8499001	1	LCD PANEL 1750GE (DEU/AUT)	ADD
3	LA4916001	1	LCD PANEL 1750UK (GBR) (PT-1750B/1750)	
3	LA8610001	1	LCD PANEL 1750UK2 (GBR/NLD/DNK/ITA/BEL) (PT-1750BOX)	ADD
4	LA4892001	1	TAPE PANEL 1750 US (USA/CAN/GBR) (PT-1750B/1750BULK/1750B BULK/1750)	ADD
4	LA5383001	1	TAPE PANEL 1750 AUS (AUS) (PT-1750B)	
4	LA9352001	1	TAPE PANEL 1750 EC (DEU/GBR/NLD/DNK/AUT/ITA/BEL) (PT-1750BOX)	ADD
4	LA9910001	1	TAPE PANEL 1760 US (USA) (PT-1760)	ADD
5	LA4893001	1	BOTTOM COVER 1750, GRAY1593 (USA/CAN/AUS/DEU/GBR/NLD/DNK/AUT/ITA/BEL) (PT-1750B BULK/1750B/1750BOX)	ADD
5	LA4893002	1	BOTTOM COVER 1750, WHITE1397 (USA/CAN/GBR) (PT-1750BULK/1750)	
5	LA9919001	1	BOTTOM COVER 1760 (USA) (PT-1760)	ADD
6	LA4894001	1	CUTTER LEVER 1750, PURPLE6140 (PT-1750)	
6	LA4894003	1	CUTTER LEVER 1750, ORANGE3220 (USA) (PT-1760)	ADD
7	UB3719000	2	BATTERY TERMINAL	
8	LA0092003	1	BATTERY LID PS, GRAY1593 (USA/CAN/AUS/DEU/GBR/NLD/DNK/AUT/ITA/BEL) (PT-1750B BULK/1750B/1750BOX)	ADD
8	LA0092001	1	BATTERY LID PS, WHITE1397 (USA/CAN/GBR) (PT-1750BULK/1750)	
8	LA0092004	1	BATTERY LID PS, GRAY1725 (USA) (PT-1760)	ADD
9	UN0401003	1	BLIND COVER, GRAY1593	
10	LA4896001	1	PEELER-STICK, GRAY1252	
11	085270817	6	TAPTITE, BIND B M2.6X8	
12	085270617	2	TAPTITE, BIND B M2.6X6	
13A	LA5001001	1	FCC LABEL 1750, US (USA) (PT-1750B BULK/1750B/1760)	ADD
13A	LA0492001	1	FCC LABEL 1200, US (USA) (PT-1750BULK)	
13B	LA5002001	1	FCC LABEL 1750, CA (CAN) (PT-1750B)	CHNG#D
13B	LA0518001	1	FCC LABEL 1200, CA (CAN) (PT-1750)	CHNG#D
14	LA5003001	1	CE LABEL (DEU/GBR/NLD/DNK/AUT/ITA/BEL) (PT-1750B/1750BOX)	
14	UN3714001	1	CE LABEL (GBR) (PT-1750)	
15	LA4846001	1	MYLAR LABEL 1750US (USA) (PT-1750B BULK/1750B/1750BULK)	ADD
15	LA5529001	1	MYLAR LABEL 1750AUS (AUS) (PT-1750B)	
16	LA5004001	1	CAUTION LABEL, EUR (GBR/AUS) (PT-1750B)	
16	UN0601001	1	CAUTION LABEL, EUR (GBR) (PT-1750)	
16	LA9351001	1	CAUTION LABEL, EC (DEU/GBR/NLD/DNK/AUT/ITA/BEL) (PT-1750BOX)	ADD
17	LA4998001	1	C-TICK MARK (AUS) (PT-1750B)	
18	LA5226001	1	TAPE SEPARATOR LABEL (USA) (PT-1750B BULK/1750B/1760)	ADD
19	UN4594000	1	GROUND PLATE 350	

MODEL PT-1750/1760 8V2-306-061

5 . MAIN PCB



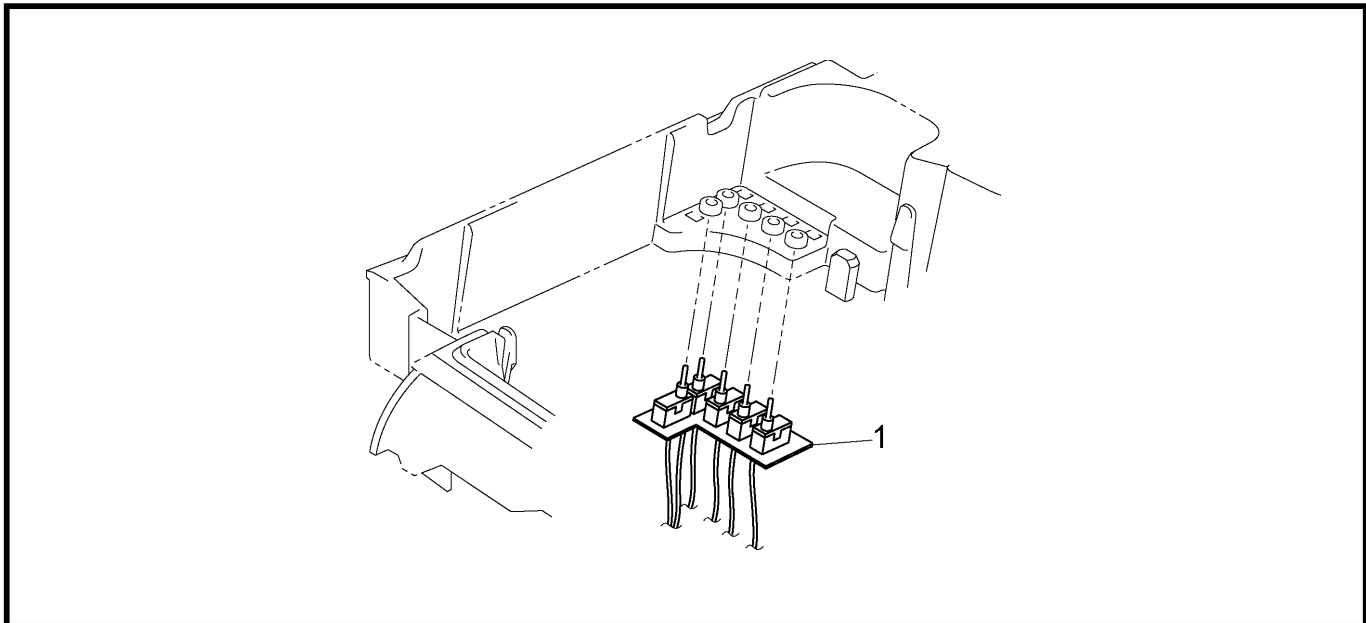
5 . MAIN PCB

PtPn030151

REF.NO.	SYMBOL	CODE	Q'TY	DESCRIPTION	REMARKS
1	B55L097-100A	LA4904001	1	MAIN PCB ASSY 1750 (USA/CAN/AUS)	ADD
1	B55L097-310B	LA8135001	1	MAIN PCB ASSY 1750 GE (DEU/AUT)	CHNG#B
1	B55L097-101A	LA4904002	1	MAIN PCB ASSY 1750 (GBR/NLD/DNK/ITA)	CHNG#A
1	B55L097-120	LA8955001	1	MAIN PCB ASSY 1750 (BEL)	ADD

MODEL PT-1750/1760 8V2-306-101

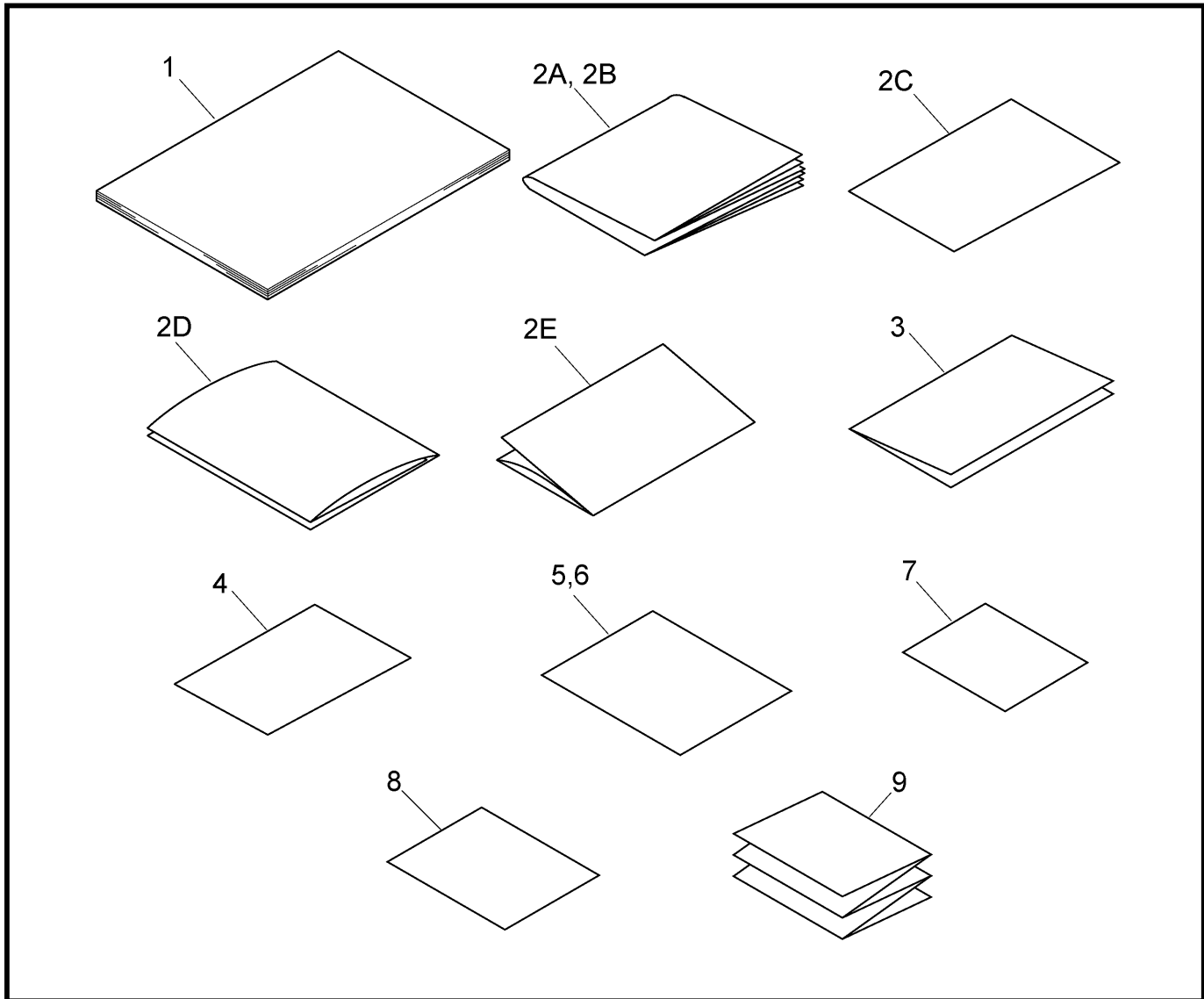
6 . SENSORS



MODEL PT-1750 8V2-306-100

7 . PRINTED MATTER

PtPn030121



MODEL PT-1750 8V2-306-920

6 . SENSORS

REF.NO.	SYMBOL	CODE	Q'TY	DESCRIPTION	REMARKS
1		LA6466001	1	SWITCH ASSY PT1750	

MODEL PT-1750/1760 8V2-306-100

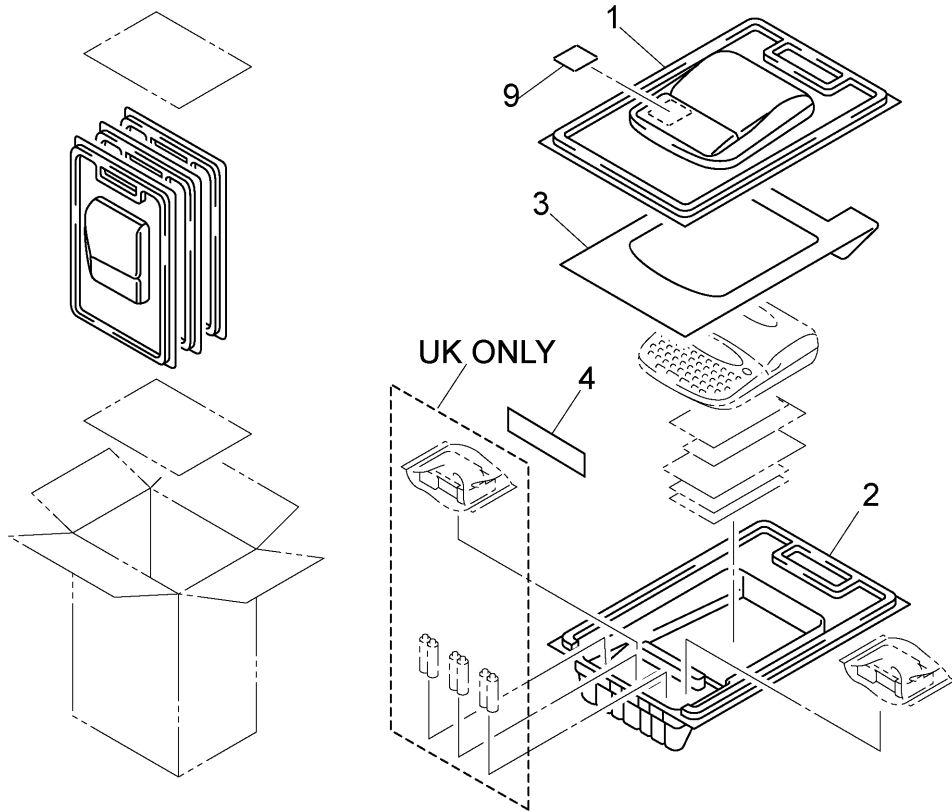
7 . PRINTED MATTER

PtPn030153

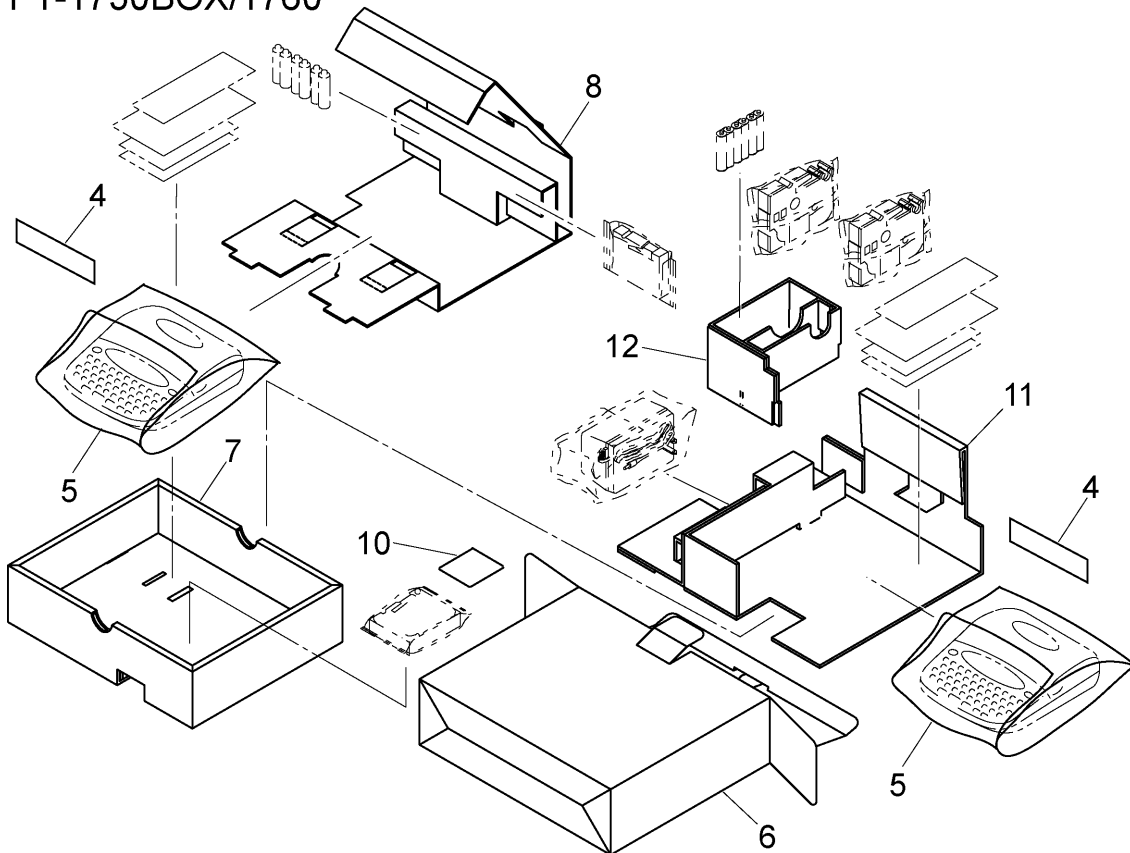
REF.NO.	SYMBOL	CODE	Q'TY	DESCRIPTION	REMARKS
1	A	LA8464001	1	USER'S MANUAL PT1750, US (USA) (PT-1750B)	CHNG#B
1		LA8500001	1	USER'S MANUAL PT1750, GE (DEU/AUT) (PT-1750BOX)	ADD
1	C	LA4918001	1	USER'S MANUAL PT1750, UK (GBR) (PT-1750/1750B/1750BOX)	CHNG#A
1		LA8496001	1	USER'S MANUAL PT1750, DUTCH (NLD/BEL) (PT-1750BOX)	ADD
1		LA8495001	1	USER'S MANUAL PT1750, DANISH (DNK) (PT-1750BOX)	ADD
1		LA8501001	1	USER'S MANUAL PT1750, ITALIAN (ITA) (PT-1750BOX)	ADD
1	A	LA4912001	1	USER'S MANUAL 1750, CA.ENG (CAN) (PT-1750/1750B)	CHNG#A
1	A	LA4913001	1	USER'S MANUAL 1750, CA.FR (CAN) (PT-1750/1750B)	CHNG#A
1		LA5379001	1	USER'S MANUAL 1750, AUS (AUS) (PT-1750B)	
1		LA8543001	1	USER'S MANUAL 1750, CHE.FRENCH (BEL) (PT-1750BOX)	ADD
1		LA9916001	1	USER'S MANUAL PT-1760US (USA) (PT-1760)	ADD
2A	F	UH3851001	1	WARRANTY CARD EUR (EUROPE)	
2B	B	UN8607001	1	WARRANTY CARD, CAN.E/F (CAN)	CHNG#B
2C		LF2491001	1	12 MONTH WARRANTY BOOKLET (GBR)	ADD
2D	B	LA4059001	1	WARRANTY CARD US CH (USA) (PT-1750B)	CHNG#D
2E		LA6619001	1	WARRANTY CARD, 1160 (USA) (PT-1760)	ADD
3	A	UN4239001	1	TAPE CATALOG UK (EUROPE)	
3		LA1188001	1	TAPE CATALOG CA 18 CHN (CAN)	
3		LA2895001	1	TZ TAPE CATALOG, AUS CH (AUS)	
3	E	UN0838001	1	TAPE CATALOG US, ENG/CHINESE (USA) (PT-1750B)	ADD
4	A	LA4943001	1	APPLICATION CARD, 1750 (CAN)	
4	A	LA5380001	1	APPLICATION CARD, 1750 AUS (AUS)	
4		LA8468001	1	APPLICATION CARD,1750 US (USA) (PT-1750B)	ADD
5		LA4924001	1	LEGEND LABEL 1750 (CAN)	
6		LA4925001	1	LEGEND INSERTION 1750 (CAN)	
7		LA8415001	1	UNPACKING INSTRUCTION 1750	
8		LA8465001	1	BROTHER MALL CARD (USA) (PT-1750B)	ADD
9		LN4131001	1	PRIZE LEAFLET (GBR) (PT-1750BOX)	ADD

MODEL PT-1750/1760 8V2-306-920

PT-1750/1750B



PT-1750BOX/1760



8 . PACKING MATERIALS

PtPn030153

REF.NO.	CODE	Q'TY	DESCRIPTION	REMARKS
1	LA4899000	1	CLAM SHELL UPPER 1750 (USA/CAN/AUS/GBR) (PT-1750/1750B)	
2	LA4900000	1	CLAM SHELL LOWER 1750 (USA/CAN/AUS/GBR) (PT-1750/1750B)	
3	LA8467001	1	COMMERCIAL SHEET 1750US (USA) (PT-1750B)	ADD
3	LA4926001	1	COMMERCIAL SHEET 1750CA, SYMBOL:A (CAN) (PT-1750/1750B)	CHNG#B
3	LA5381001	1	COMMERCIAL SHEET 1750AUS (AUS) (PT-1750B)	
3	LA4845001	1	COMMERCIAL SHEET 1750UK (GBR) (PT-1750/1750B)	
4	LA8414000	1	PLATEN PROTECT PAD	ADD
5	LA9904001	1	BAG, 280X410H (EUROPE/USA) (PT-1750BOX/1760)	ADD
6	LA8486001	1	CARTON 1750 EC (EUROPE) (PT-1750BOX)	ADD
6	LA9920001	1	CARTON 1760 US (USA) (PT-1760)	ADD
7	LA8562001	1	INNER PAD 1750 EC (EUROPE) (PT-1750BOX)	ADD
7	LA9922000	1	INNER PAD 1760 US (USA) (PT-1760)	ADD
8	LA8563001	1	SUB PAD 1750 EC (EUROPE) (PT-1750BOX)	ADD
9	LN3054001	1	50TH ANNIVERSARY LABEL US (USA) (PT-1750B)	ADD
10	LN4279001	1	PRIZE STICKER FLOWER (GBR) (PT-1750BOX)	ADD
11	LA9923000	1	PAD 1760A (USA) (PT-1760)	ADD
12	LA9924000	1	PAD 1760B (USA) (PT-1760)	ADD

MODEL PT-1750/1760 8V2-306-930

brother[®]

Mar., 2001
8V2012BE0
Printed in Japan