



## **PARTS REFERENCE LIST**

**MODEL: PT-1800/1800E/1800ECC/1810 China production**

**MECHANISMS & ELECTRONICS**

## NOTES FOR USING THIS PARTS REFERENCE LIST

1. In the case of ordering parts, it needs mentioning the following items:

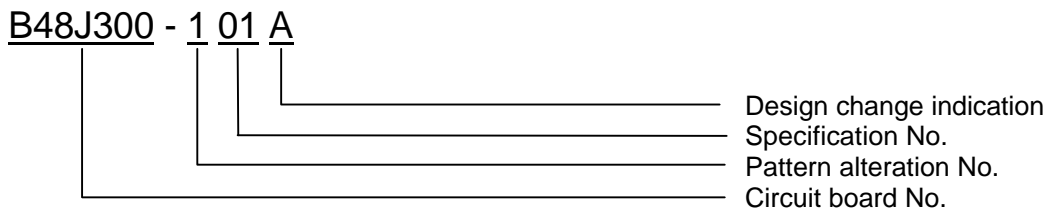
- (1) Code
- (2) Q'ty
- (3) Description
- (4) Symbol (PCB No., Revision , and Parts location mounted on the PCB.)

Note : No orders without Parts Code or Tool No. can be accepted.

[ Example ]

REF. NO.	SYMBOL	CODE	Q'TY	DESCRIPTION	REMARKS

Revision No. : marked on the printed circuit board.



2. Design-changed parts:

When the parts are changed, any one of the following symbols is indicated in the REMARKS column.

- CHNG#A : compatible between old and new
- CHNG#B : replaceable from old to new
- CHNG#D : incompatible
- ADD : newly established

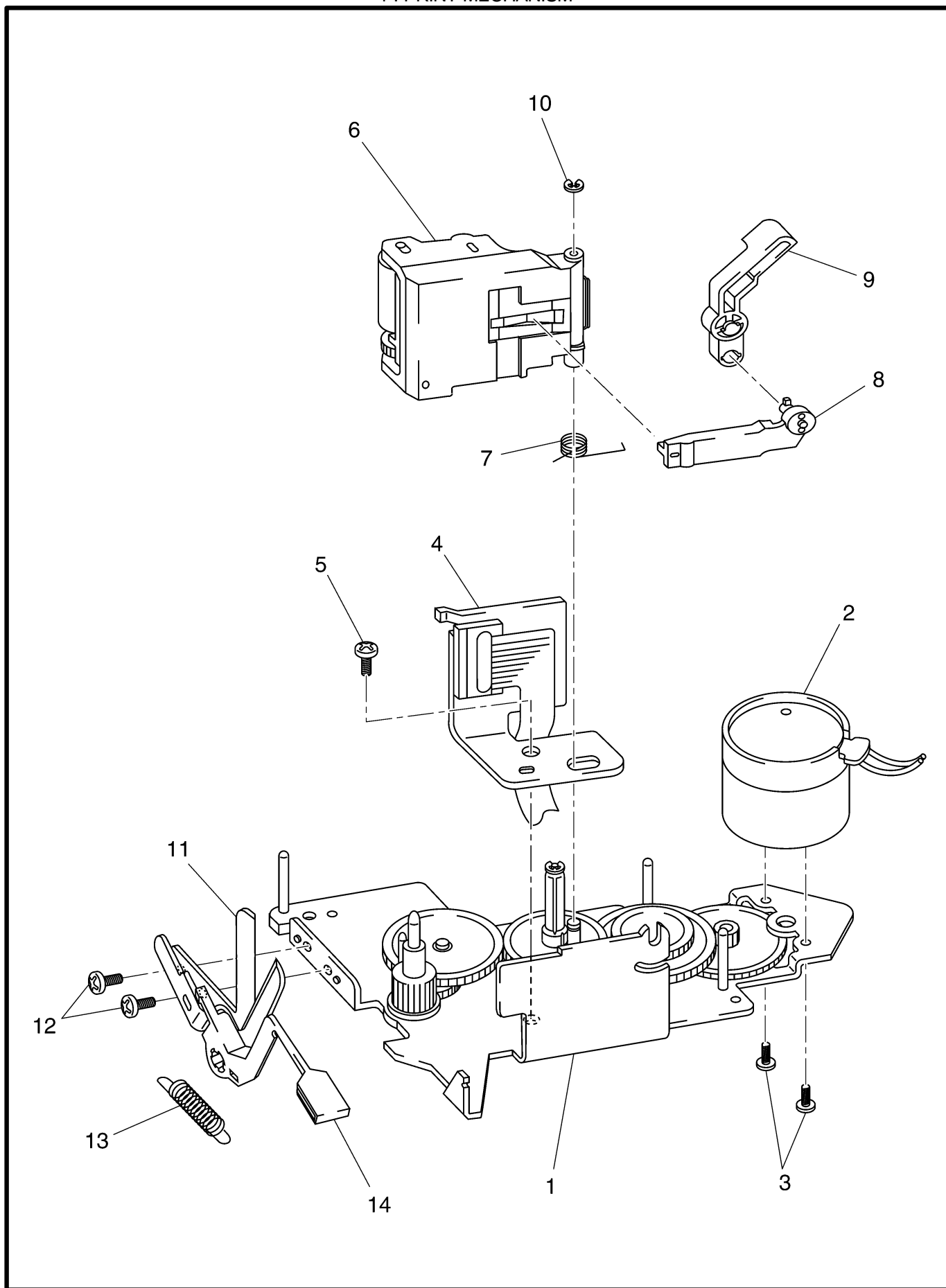
3. The original of this list was made based on the information available in Aug, 1999.

4. Parts are subject to change in design without prior notice.

# CONTENTS

1 . PRINT MECHANISM .....	1
2 . COVERS .....	3
3 . RUBBER KEY .....	5
4 . SENSOR .....	5
5 . MAIN PCB .....	7
6 . POWER SUPPLY PCB .....	9
7 . ATTACHMENTS.....	9
8 . PRINTED MATTER .....	11
9 . PACKING MATERIALS .....	13

1 . PRINT MECHANISM



MODEL PT-1800/PT-1810 CHINA PRODUCTION 8V2-324-045

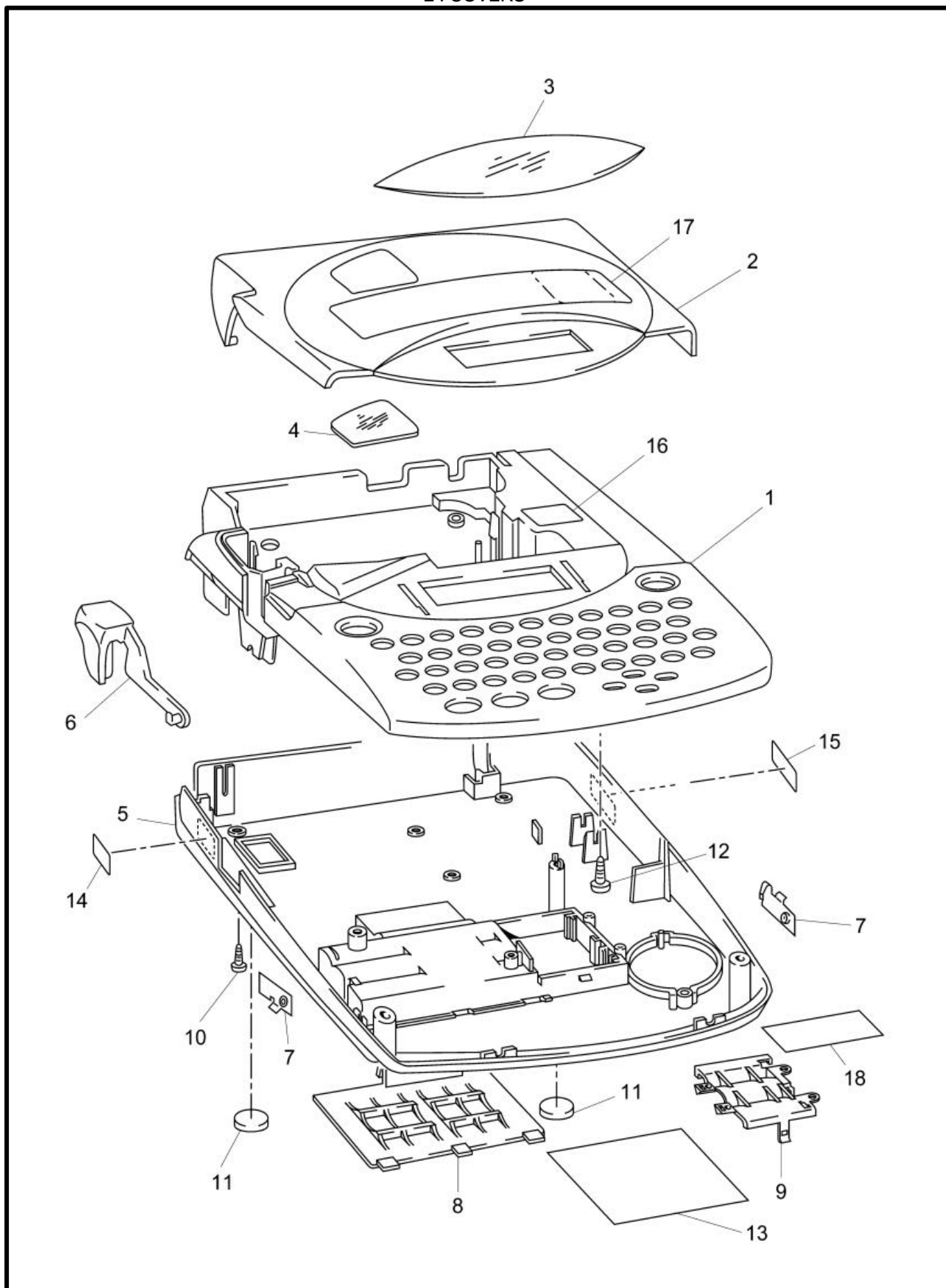
## 1 . PRINT MECHANISM

PT2001005

REF.NO.	CODE	Q'TY	DESCRIPTION	REMARKS
1	LA1642001	1	CHASSIS ASSY PT1800	
2	UN0370001	1	DC MOTOR ASSY PT300	
3	UB3848001	2	SCREW, PAN M2.6X3.5	
4	UN4350001	1	HEAD ASSY (SP)	
5	060300415	1	SCREW, BIND M3X4	
6	UN4268001	1	ROLLER HOLDER ASSY 350	
7	UN0392001	1	ROLLER HOLDER SPRING	
8	UN4277000	1	ROLLER RELEASE ROD	
9	UN4278001	1	ROLLER RELEASE LEVER 350	
10	048020346	1	RETAINING RING, E2	
11	UN4279001	1	CUTTER ASSY (SP)	CHNG#A
12	062300506	2	SCREW, PAN M3X5	
13	UN4285001	1	SPRING	
14	UN4284001	1	CUTTER SENSOR ARM	

MODEL PT-1800/PT-1810 CHINA PRODUCTION 8V2-324-045

## 2. COVERS



MODEL PT-1800/PT-1810 CHINA PRODUCTION 8V2-324-061

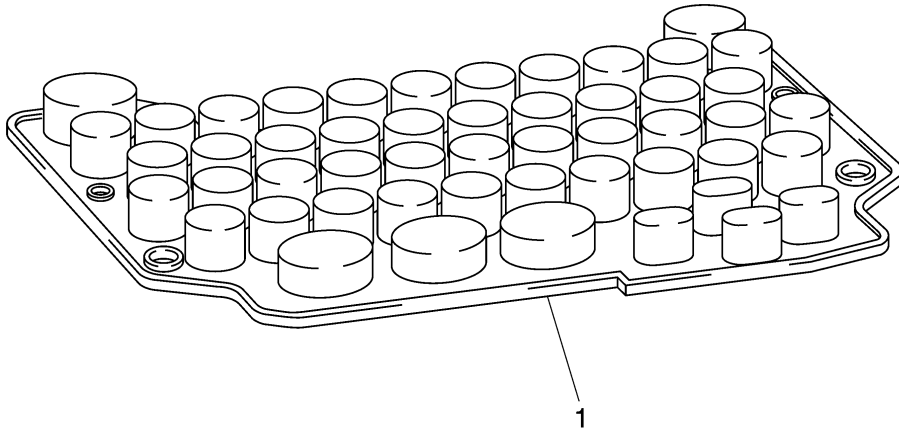
## 2 . COVERS

PT2001020

REF.NO.	CODE	Q'TY	DESCRIPTION	REMARKS
1	LA1711001	1	BODY COVER 1800 UK, (PT-1800)(GBR/IRL/NLD/CHE/DNK/SWE/ITA/BEL/FIN/PRT/NOR/ESP/ZAF)	
1	LA1702001	1	BODY COVER 1800 GE, (PT-1800)(DEU)	
1	LA1716001	1	BODY COVER 1800 FR, (PT-1800)(FRA)	
1	LA1675001	1	BODY COVER 1800 US, (PT-1800/PT-1810 WHITE)(USA/CAN)	
1	LA5375001	1	BODY COVER 1800 US, (PT-1800 SILVER) (USA/CAN)	ADD
1	LA5245001	1	BODY COVER 1800E UK PS, (PT1800E IRL/FRA/CHE/ITA/BEL/FIN/PRT/NLD/SWE/ESP/NOR/DNK/GBR)	
1	LA5236001	1	BODY COVER 1800E FR PS, (PT1800E FRA)	
1	LA5252001	1	BODY COVER 1800E GE PS, (PT1800E DEU)	
2	LA0680001	1	CASSETTE COVER 1800 EC, (PT-1800 EUROPE)	
2	LA0647001	1	CASSETTE COVER 1800 US, (PT-1800/PT-1810 WHITE)(USA/CAN)	
2	LA0676002	1	CASSETTE COVER 1800 US, (PT-1800 SILVER)(USA/CAN)	ADD
2	LA5237001	1	CASSETTE COVER 1800E EC, (PT1800E EUROPE)	
3	LA1712001	1	LCD PANEL 1800 UK (PT-1800/1800E)(GBR/IRL/NLD/CHE/DNK/SWE/ITA/BEL/FIN/PRT/ NOR/ESP/ZAF)	
3	LA1704001	1	LCD PANEL 1800 GE (PT-1800/1800E)(DEU)	
3	LA1717001	1	LCD PANEL 1800 FR (PT-1800/1800E)(FRA)	
3	LA1677001	1	LCD PANEL 1800 US (PT-1800/PT-1810)(USA/CAN)	
4	UN4296001	1	TAPE PANEL 350	
5	LA1678002	1	BOTTOM COVER 1800, (PT-1800/1800E EUROPE)	
5	LA1678001	1	BOTTOM COVER 1800, (PT-1800/PT-1810 WHITE)(USA/CAN)	
5	LA1678003	1	BOTTOM COVER 1800, (PT-1800 SILVER)(USA/CAN)	ADD
6	UN4299002	1	CUTTER LEVER 350, (PT1800/1800E EUROPE)	
6	UN4299003	1	CUTTER LEVER 350, (PT-1800/PT-1810)(USA/CAN)	
7	UB3719000	2	BATTERY TERMINAL	
8	LA0092002	1	BATTERY LID, (PT-1800/1800E EUROPE)	
8	LA0092001	1	BATTERY LID, (PT-1800/PT-1810 WHITE)(USA/CAN)	
8	LA0092003	1	BATTERY LID, (PT-1800 SILVER)(USA/CAN)	ADD
9	UN0401002	1	BLIND COVER, (PT-1800/1800E EUROPE)	
9	UN0401004	1	BLIND COVER, (PT-1800/PT-1810 WHITE)(USA/CAN)	
9	UN0401003	1	BLIND COVER, (PT-1800 SILVER)(USA/CAN)	ADD
10	085270817	7	TAPTITE, BIND B M2.6X8	
11	UB4431001	2	LOWER FOOT	
12	060300415	1	SCREW, BIND M3X4	
13	UN4307001	1	CAUTION LABEL EC (PT1800/1800E)(GBR/DEU/FRA/IRL/NLD/CHE/DNK/SWE/ITA/BEL/FIN/PRT/NOR/ESP/ZAF/CAN)	
14	UN0732001	1	CAUTION LABEL MID (PT-1800/PT-1810)(USA)	
15	UB7372001	1	ADAPTER CAUTION LABEL (PT-1800/PT-1810)(USA)	
16	UN0700001	1	LEVER CAUTION LABEL (PT-1800/PT-1810 WHITE)(USA)	
16	LA5700001	1	LEVER CAUTION LABEL (PT-1800 SILVER)(USA)	ADD
17	LA0650001	1	MYLAR LABEL 1800 US (PT-1800 WHITE)(USA)	
17	LA5376001	1	MYLAR LABEL 1800 US (PT-1800 SILVER)(USA)	ADD
17	LA0746001	1	MYLAR LABEL 1810 US (PT-1810)(USA)	
18	UB0022001	1	FCC LABEL (PT-1800/PT-1810)(USA)	
18	LA1939001	1	FCC LABEL, CA (PT-1800)(CAN)	

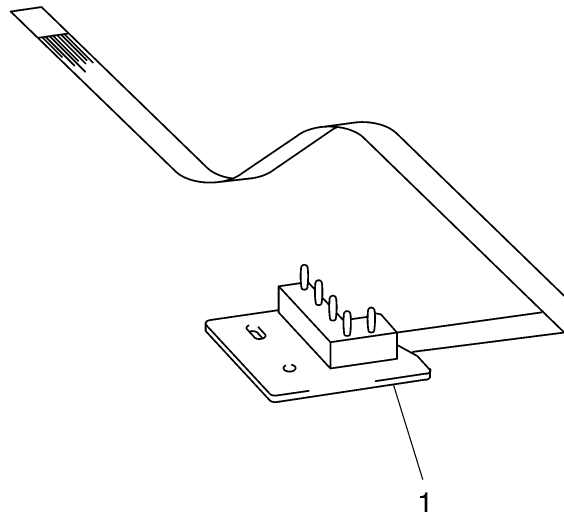
MODEL PT-1800/1800E/1810/1800CC/1800ECC CHINA PRODUCTION 8V2-324-061

### 3 . RUBBER KEY



MODEL PT-1800/PT-1810 CHINA PRODUCTION 8V2-324-003

### 4 . SENSOR



MODEL PT-1800/PT-1810 CHINA PRODUCTION 8V2-324-100



3 . RUBBER KEY

PT2001010

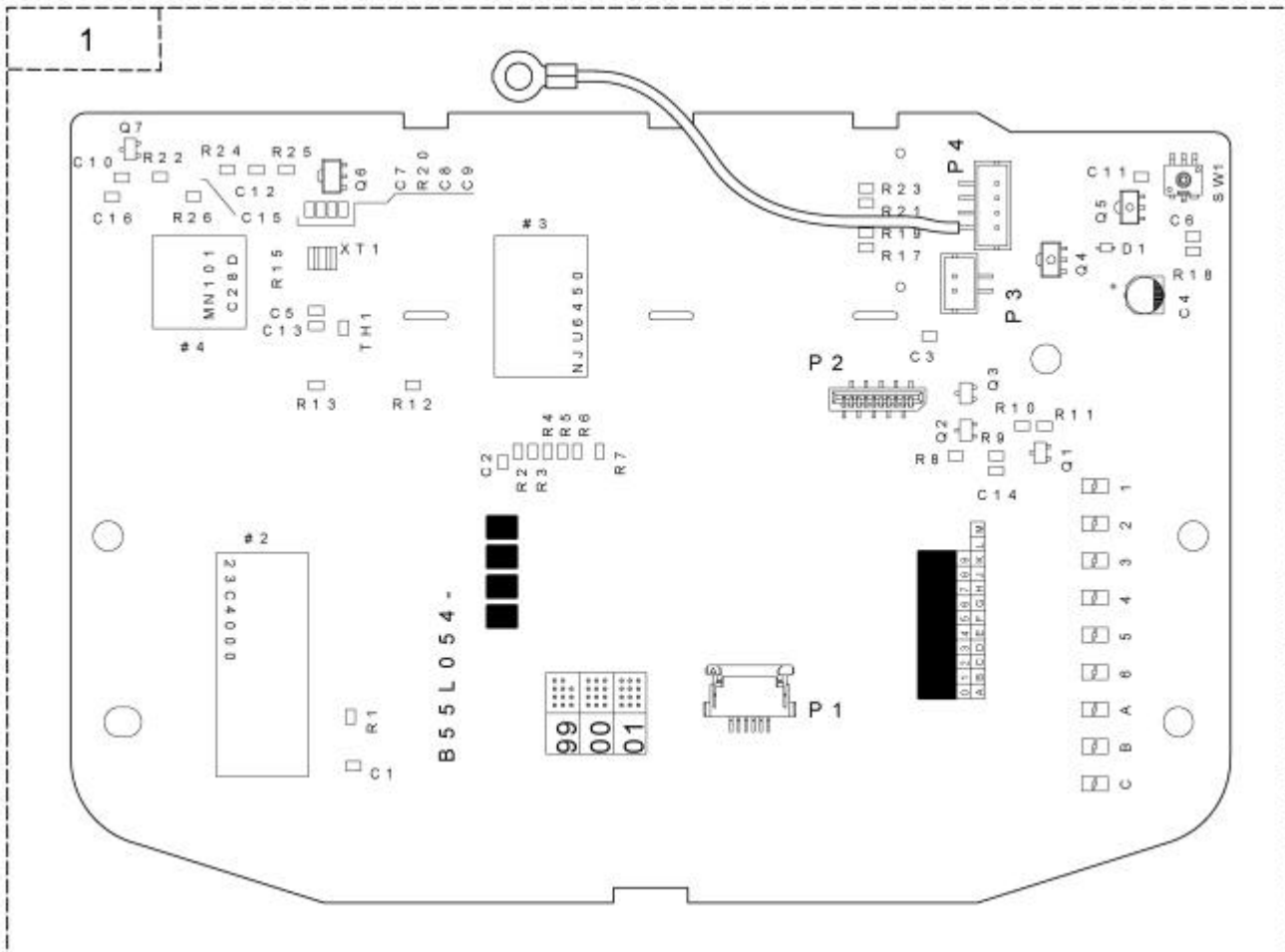
REF.NO.	CODE	Q'TY	DESCRIPTION	REMARKS
1	LA0678001	1	RUBBER 51 KEY UK, GRAY1395 (PT-1800/1800E)(GBR/IRL/NLD/CHE/DNK/SWE/ITA/FIN/ NOR/ESP/ZAF)	CHNG
1	LA0666001	1	RUBBER 51 KEY GE, GRAY1395 (PT-1800/1800E)(DEU)	CHNG
1	LA0750001	1	RUBBER 51 KEY FR, GRAY1395 (PT-1800/1800E)(FRA)	CHNG
1	LA0698001	1	RUBBER 51 KEY BG, GRAY1395 (PT-1800/1800E)(BEL/PRT)	CHNG
1	LA0645001	1	RUBBER 51 KEY US, GRAY1267 (PT-1800/PT-1810)(USA/CAN)	

MODEL PT-1800/1800E/1810/1800CC/1800ECC CHINA PRODUCTION 8V2-324-003

4 . SENSOR

REF.NO.	SYMBOL	CODE	Q'TY	DESCRIPTION	REMARKS
1	B48J340-2	LA0119001	1	SENSOR PCB ASSY (SP)	

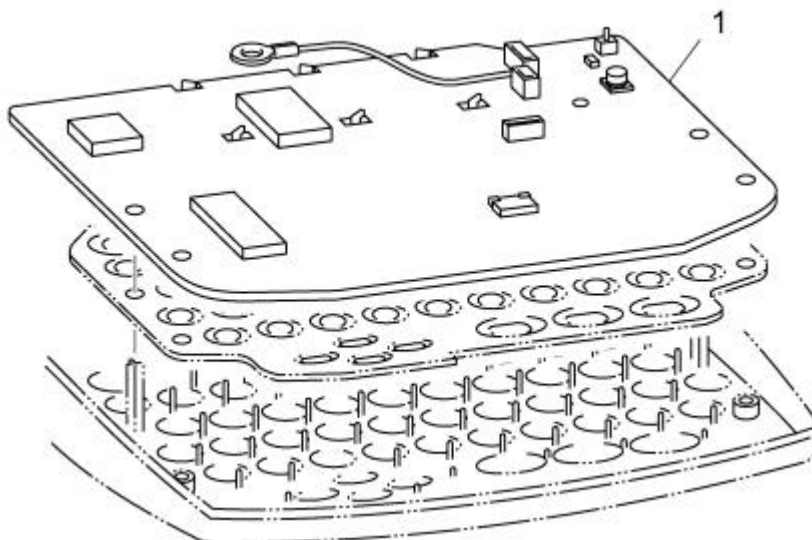
MODEL PT-1800/PT-1810 CHINA PRODUCTION 8V2-324-100



Keyboard Specification

Destination	Spec. code	Solder Points					
		1	2	3	4	5	6
Belgium	02, 42	H	L	H	H	H	H
U.K.	00, 40	H	H	H	H	H	H

H: Solder point opened L: Solder point closed



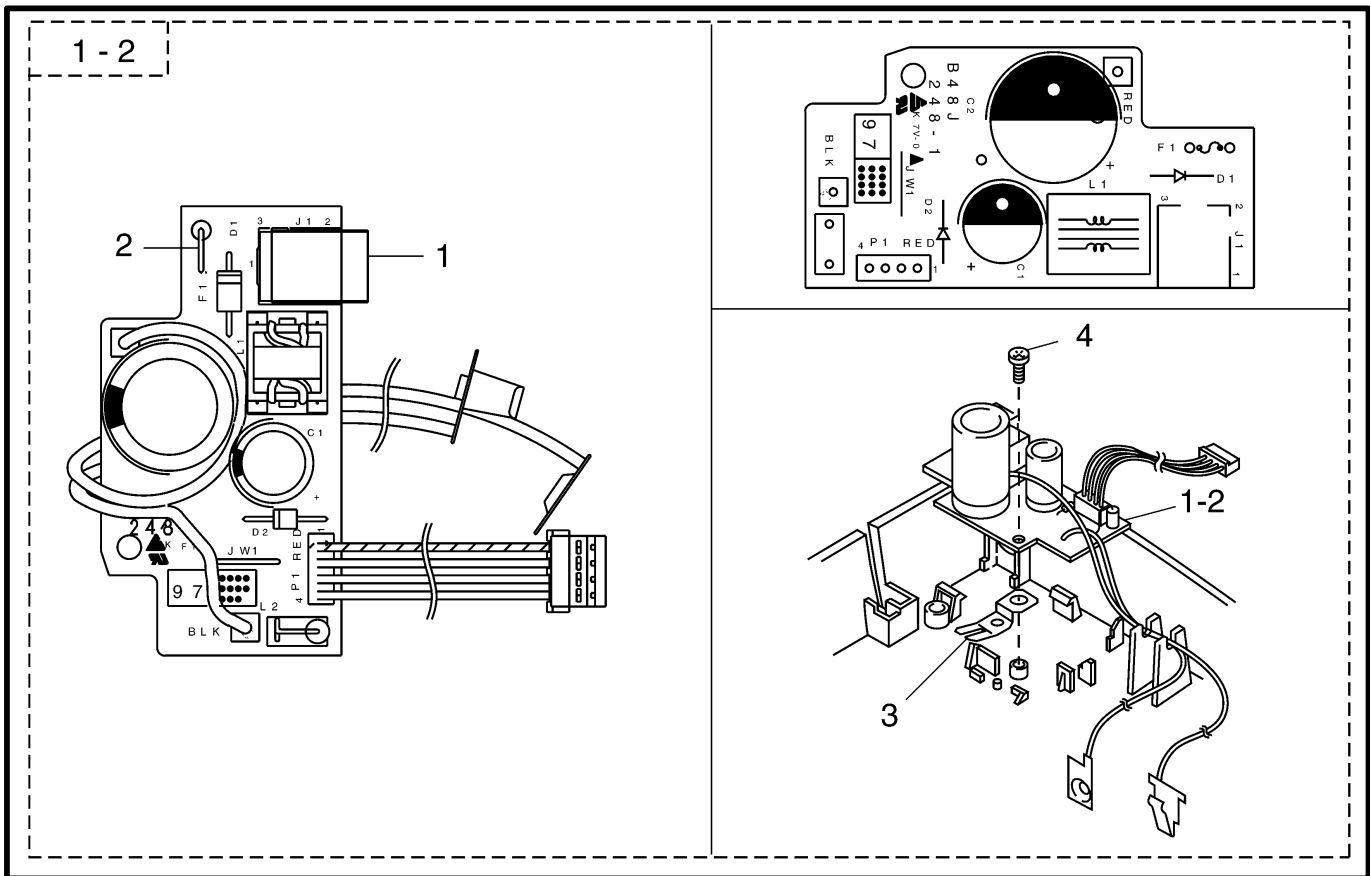
## 5 . MAIN PCB

PT2001010

REF.NO.	SYMBOL	CODE	QTY	DESCRIPTION	REMARKS
1	B55L072-1	LA0121001	1	MAIN PCB ASSY 1800E, GBR.ENG (SP) (PT1800 GBR/IRL/NLD/CHE/DNK/ SWE/ITA/FIN/NOR/ESP/ZAF)	
1	B55L072-1	LA0121002	1	MAIN PCB ASSY 1800E, BELGIAN (SP) (PT1800 BEL/PRT)	
1	B55L072-1	LA0120001	1	MAIN PCB ASSY 1800G, GERMAN (SP) (PT1800 DEU)	
1	B55L072-1	LA0122001	1	MAIN PCB ASSY 1800F, FRENCH (SP) (PT1800 FRA)	
1	B55L054-130A	LA0101001	1	MAIN PCB ASSY 1800U, USA.E,CAN.E/F (SP) (PT1800/1810 USA/CAN)	
1	B55L072	LA5247001	1	MAIN PCB ASSY 1800E EC, (PT1800E ZAF/IRL/CHE/ITA/FIN/NLD/SWE/ESP/NOR/DNK/GBR)	ADD
1	B55L072	LA5247002	1	MAIN PCB ASSY 1800E EC, (PT1800E BEL/PRT)	ADD
1	B55L072	LA5244001	1	MAIN PCB ASSY 1800E FRA, (PT1800E FRA)	ADD
1	B55L072	LA5253001	1	MAIN PCB ASSY 1800E GER, (PT1800E DEU)	ADD

MODEL PT-1800/1800E/1810/1800CC/1800ECC CHINA PRODUCTION 8V2-324-101

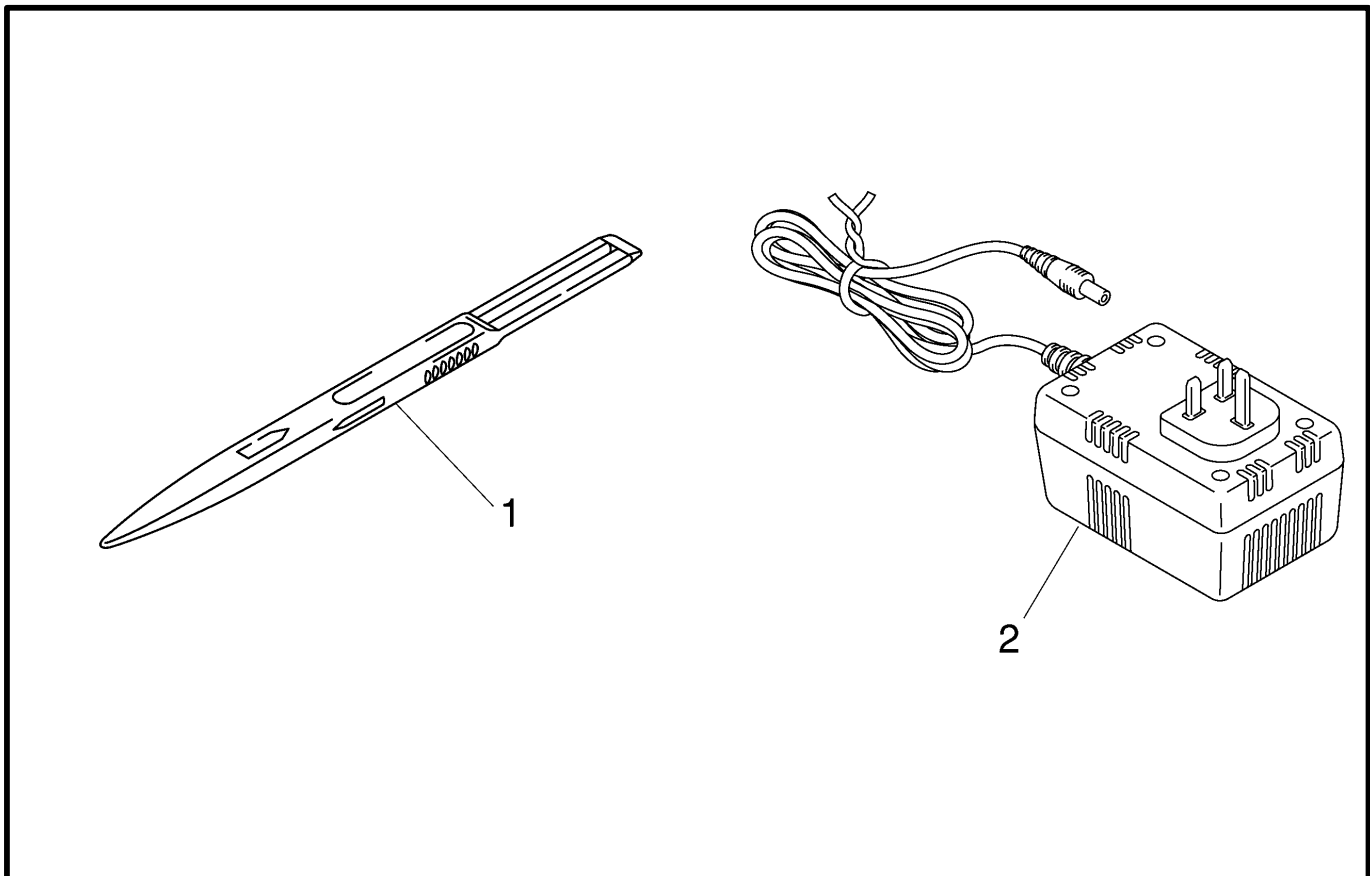
6 . POWER SUPPLY PCB



MODEL PT-1800/PT-1810 CHINA PRODUCTION 8V2-324-102

7 . ATTACHMENTS

PT2000035



MODEL PT-1800/PT-1810 CHINA PRODUCTION 8V2-324-910

## 6 . POWER SUPPLY PCB

PT99132

REF.NO.	SYMBOL	CODE	Q'TY	DESCRIPTION	REMARKS
1-2	B48J248-1	LA0102001	1	PS PCB ASSY, 1800 (SP)	CHNG#A
1	J1	W00325001	1	JACK:HEC0470	
2	F1	UN4105000	1	FUSE F4A	
3		UN4594000	1	GROUND PLATE 350	
4		085270617	1	TAPTITE, BIND B M2.6X6	

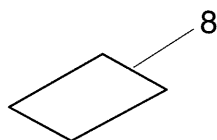
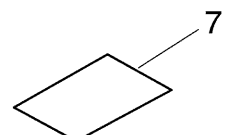
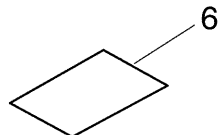
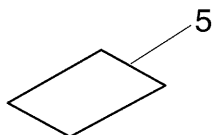
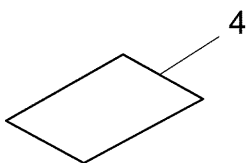
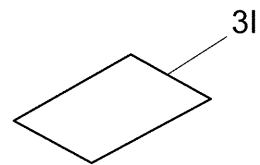
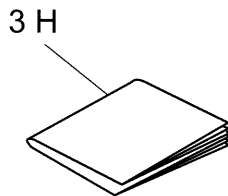
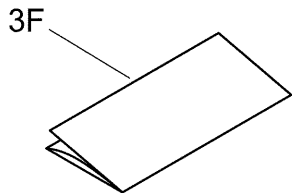
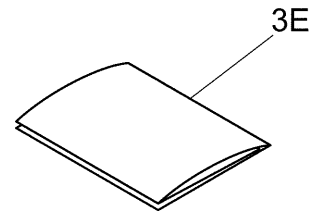
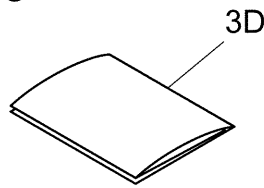
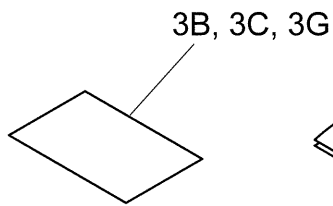
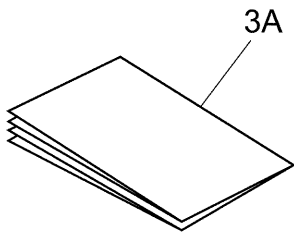
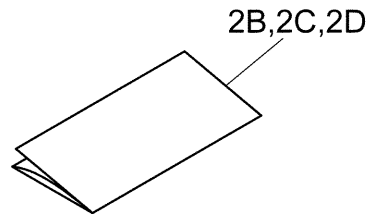
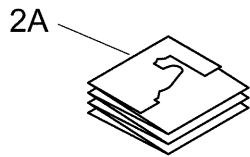
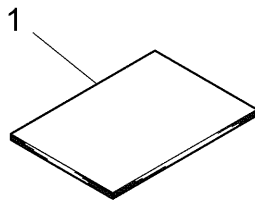
MODEL PT-1800/PT-1810 CHINA PRODUCTION 8V2-324-102

## 7 . ATTACHMENTS

PT2000035

REF.NO.	CODE	Q'TY	DESCRIPTION	REMARKS
1	UN0733022	1	LETTERING STICK TZ, GRAY1252	ADD
2	UT2489001	1	ADAPTER MDL-H UK, (GBR)	

MODEL PT-1800/PT-1810 CHINA PRODUCTION 8V2-324-910



## 8 . PRINTED MATTER

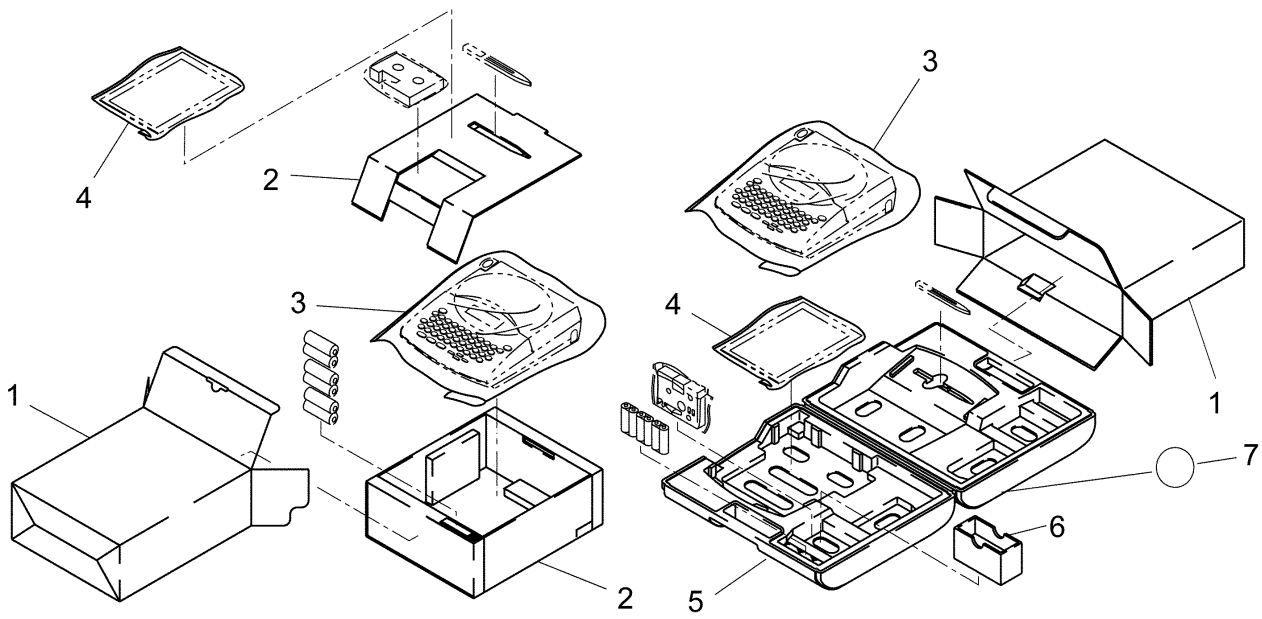
PT2001020

REF.NO.	SYMBOL	CODE	QTY	DESCRIPTION	REMARKS
1	A	LA1713001	1	USER'S MANUAL 1800, ENGLISH (PT-1800)(GBR/IRL/PRT/ZAF)	
1	B	LA1706001	1	USER'S MANUAL 1800, GERMAN (PT-1800)(DEU)	
1	A	LA1719001	1	USER'S MANUAL 1800, FRENCH (PT-1800)(FRA)	
1	A	LA1724001	1	USER'S MANUAL 1800, DUTCH (PT-1800)(NLD/BEL)	
1	A	LA1727001	1	USER'S MANUAL 1800, CHE.FRENCH (PT-1800)(CHE/BEL)	
1	A	LA1728001	1	USER'S MANUAL 1800, CHE.GERMAN (PT-1800)(CHE)	
1	A	LA1731001	1	USER'S MANUAL 1800, DANNISH (PT-1800)(DNK)	
1	A	LA1734001	1	USER'S MANUAL 1800, SWEDISH (PT-1800)(SWE)	
1	A	LA1737001	1	USER'S MANUAL 1800, ITALIAN (PT-1800)(ITA)	
1		LA1742001	1	USER'S MANUAL 1800, FINNISH (PT-1800)(FIN)	
1	A	LA1747001	1	USER'S MANUAL 1800, NORWEGIAN (PT-1800)(NOR)	
1	A	LA1750001	1	USER'S MANUAL 1800, SPANISH (PT-1800)(ESP)	
1	A	LA1692001	1	USER'S MANUAL 1800, USA.SPA (PT-1800/PT-1810)(USA)	
1		LA1699001	1	USER'S MANUAL 1800, CAN.ENG (PT-1800)(CAN)	
1		LA1700001	1	USER'S MANUAL 1800, CAN.FRENCH (PT-1800)(CAN)	
1		LA5249001	1	USER'S MANUAL 1800E, ENG CH (PT1800E ZAF/IRL/PRT/GBR)	
1		LA5239001	1	USER'S MANUAL 1800E, FRANCH CH (PT1800E FRA)	
1		LA5257001	1	USER'S MANUAL 1800E, CHE.FR CH (PT1800E CHE/BEL)	
1		LA3317001	1	USER'S MANUAL 1800E, CHE GE CH (PT1800E CHE)	
1		LA5254001	1	USER'S MANUAL 1800E, GERMAN CH (PT1800E DEU)	
1		LA5311001	1	USER'S MANUAL 1800E, ITALY CH (PT1800E ITA)	
1		LA5261001	1	USER'S MANUAL 1800E, DUTCH CH (PT1800E NLD/BEL)	
1		LA5330001	1	USER'S MANUAL 1800E, FIN CH (PT1800E FIN)	
1		LA5322001	1	USER'S MANUAL 1800E, SPA CH (PT1800E ESP)	
1		LA5268001	1	USER'S MANUAL 1800E, NOR CH (PT1800E NOR)	
1		LA5325001	1	USER'S MANUAL 1800E, DAN CH (PT1800E DNK)	
1		LA5271001	1	USER'S MANUAL 1800E, SWEDISH CH (PT1800E SWE)	
2A		UN4239001	1	TAPE CATALOG UK (PT1800/1800E)(GBR/DEU/FRA/IRL/NLD/CHE/DNK/SWE/ITA/BEL/FIN/PRT/NOR/ESP/ZAF)	
2B	E	UN0838001	1	TAPE CATALOG US, ENG (PT-1800/PT-1810)(USA)	
2C		LA1188001	1	TAPE CATALOG CA 18 CHN, (PT-1800)(CAN)	
3A		UH3851001	1	WARRANTY CARD, EUR (PT1800/1800E)(GBR/DEU/FRA/IRL/NLD/CHE/DNK/SWE/ITA/BEL/NO R/ESP)	
3B		UB3650001	1	WARRANTY CARD, FRENCH (PT1800/1800E FRA)	
3C		UB2565001	1	WARRANTY CARD, SWEDISH (PT1800/1800CC/1800E SWE)	
3D		UU0605001	1	WARRANTY CARD, SPANISH (PT1800/1800E)(ESP)	
3E		LA4059001	1	WARRANTY CARD, US CH (PT-1800/PT-1810)(USA)	
3F		UH3662001	1	WARRANTY CARD, UK-A (PT1800/1800E GBR)	
3G		UH3663001	1	WARRANTY CARD, UK-B (PT1800/1800E GBR)	
3H		UN8607001	1	WARRANTY CARD, CAN.E/F (PT-1800)(CAN)	
4	A	LA1825001	1	ACCESSORY ORDER FORM, US	
5		LA3906001	1	LEGEND LABEL 1800, (CAN)	
6		LA3907001	1	LEGEND INSERTION 1800, (CAN)	
7		LA4997002	1	EMC INSERTION SHEET (PT1800 EUROPE)	
8		LA6526001	1	PITNEY BOWES CATALOG (PT1800 SILVER USA)	ADD

MODEL PT-1800/1800E/1810/1800CC/1800ECC CHINA PRODUCTION 8V2-324-920

PT-1800/1800E

PT-1810/1800SP/1800CC/1800ECC



MODEL PT-1800/P1810/1800E/1800CC CHINA PRODUCTION 8V2-324-930



9 . PACKING MATERIALS

PT2001020

REF.NO.	SYMBOL	CODE	QTY	DESCRIPTION	REMARKS
1		LA1707001	1	CARTON 1800 EC (PT-1800)(GBR/DEU/FRA/IRL/NLD/CHE/DNK/SWE/ITA/BEL/FIN/ PRT/NOR/ESP/ZAF)	
1		LA1845001	1	CARTON 1800CC (PT-1800CC)(SWE/NOR/GBR/NLD)	
1	A	LA1693001	1	CARTON 1800 US (PT-1800 WHITE)(USA)	
1		LA5437001	1	CARTON 1800 US (PT-1800 SILVER)(USA)	ADD
1	A	LA1695001	1	CARTON 1810 US (PT-1810)(USA)	
1	A	LA1697001	1	CARTON 1800SP (PT-1800SP)(USA)	
1		LA1701001	1	CARTON 1810 CA (PT-1800 WHITE)(CAN)	
1		LA5438001	1	CARTON 1810 CA (PT-1800 SILVER)(CAN)	ADD
1		LA5240001	1	CARTON 1800E EC CH, (PT-1800E ZAF/IRL/CHE/FRA/DEU/ITA/BEL/FIN/PRT/NLD/SWE/ESP/DNK/NOR/GBR)	
1		LA5262001	1	CARTON 1800ECC CH (PT1800ECC IRL/FRA/NOR/GBR/NLD/SWE)	
2		UN4317001	1	PAD ASSY 350 (PT-1800/1800E)	
3		UN0767001	1	BAG, 280X400H	
4		UN5224001	1	BAG, 215X360H	
5		UT2761001	1	CARRYING CASE 1800 (PT-1800SP/1810/1800CC/1800ECC) (USA/SWE/NOR/NLD)	
6		UN4968001	1	CASSETTE SPACER 210E (PT-1800SP/1810/1800CC/1800ECC) (USA/SWE/NOR/GBR/NLD)	
6		LA3932000	1	CASSETTE PAD1 (PT1800CC/1800ECC GBR)	
7		LA4515001	1	ADAPTER LABEL (PT1800CC/1800ECC GBR)	

MODEL PT-1800/1800E/PT1800cc/1800ECC/PT-1810 CHINA PRODUCTION 8V2-324-930

**brother**<sup>®</sup>

Aug, `01  
8V2091BE0  
Printed in Japan