



P-touch

PARTS REFERENCE LIST

MODEL: PT-1830/1830VP/1830SC

MECHANISMS & ELECTRONICS

NOTES FOR USING THIS PARTS REFERENCE LIST

1. In the case of ordering parts, it needs mentioning the following items:

- (1) Code
- (2) Q'ty
- (3) Description
- (4) Symbol (PCB No., Revision , and Parts location mounted on the PCB.)

Note : No orders without Parts Code or Tool No. can be accepted.

[Example]

REF. NO.	CODE	Q'TY	DESCRIPTION	SYMBOL	REMARKS

(1)
|
↓

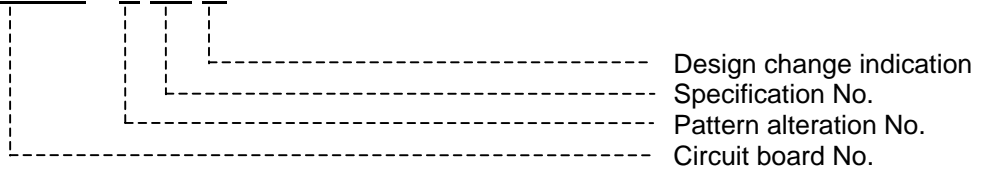
(2)
|
↓

(3)
|
↓

(4)
|
↓

Revision No. : marked on the printed circuit board.

B55L097 - 1 01 A



2. Design-changed parts:

When the parts are changed, any one of the following symbols is indicated in the REMARKS column.

- CHNG#A : compatible between old and new
- CHNG#B : replaceable from old to new
- CHNG#D : incompatible
- ADD : newly established

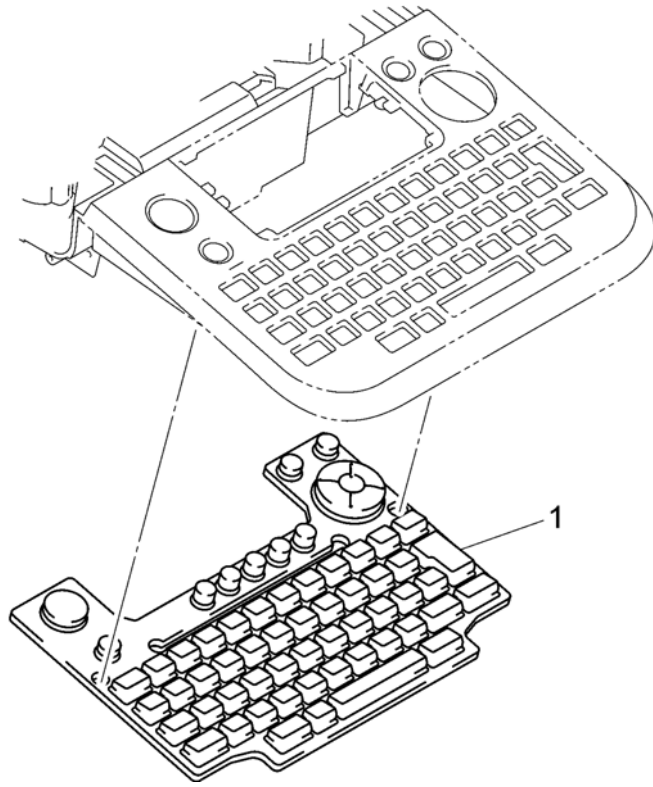
3. The original of this list was made based on the information available in May, 2007.

4. Parts are subject to change in design without prior notice.

CONTENTS

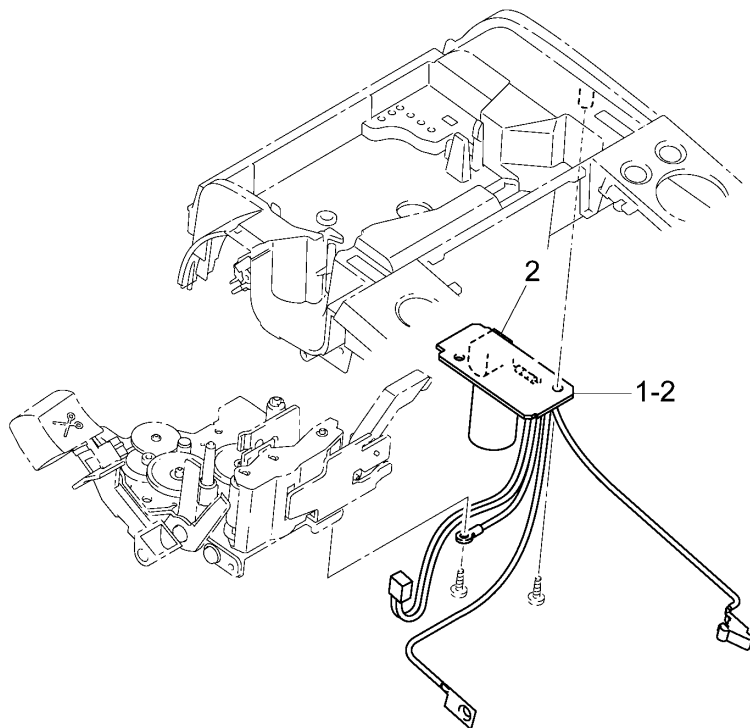
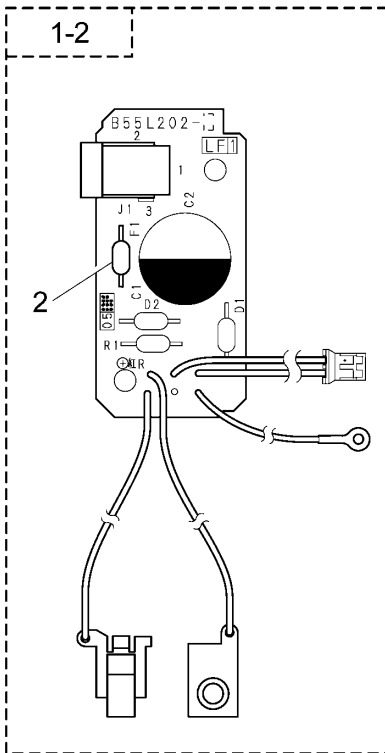
1 . RUBBER KEY	1
2 . POWER SUPPLY PCB.....	1
3 . PRINT MECHANISM	3
4 . COVERS.....	5
5 . MAIN PCB.....	7
6 . SENSORS	9
7 . ATTACHMENTS.....	9
8 . PRINTED MATTER	11
9 . PACKING MATERIALS	13

1 . RUBBER KEY



MODEL PT-1830 8V2-307-003

2 . POWER SUPPLY PCB



MODEL PT-1830 8V2-307-102

1 . RUBBER KEY

REF.NO	CODE	Q'TY	DESCRIPTION	REMARKS
1	LN7074001	1	RUBBER 63 KEY 1830 US FOR USA/CAN/AUS	
1	LN7115001	1	RUBBER 63 KEY 1830 DEU FOR DEU/AUT	
1	LN7116001	1	RUBBER 63 KEY 1830 UK FOR GBR/CHE/DNK/ESP/ZAF	
1	LN7117001	1	RUBBER 63 KEY 1830 FRA FOR FRA	

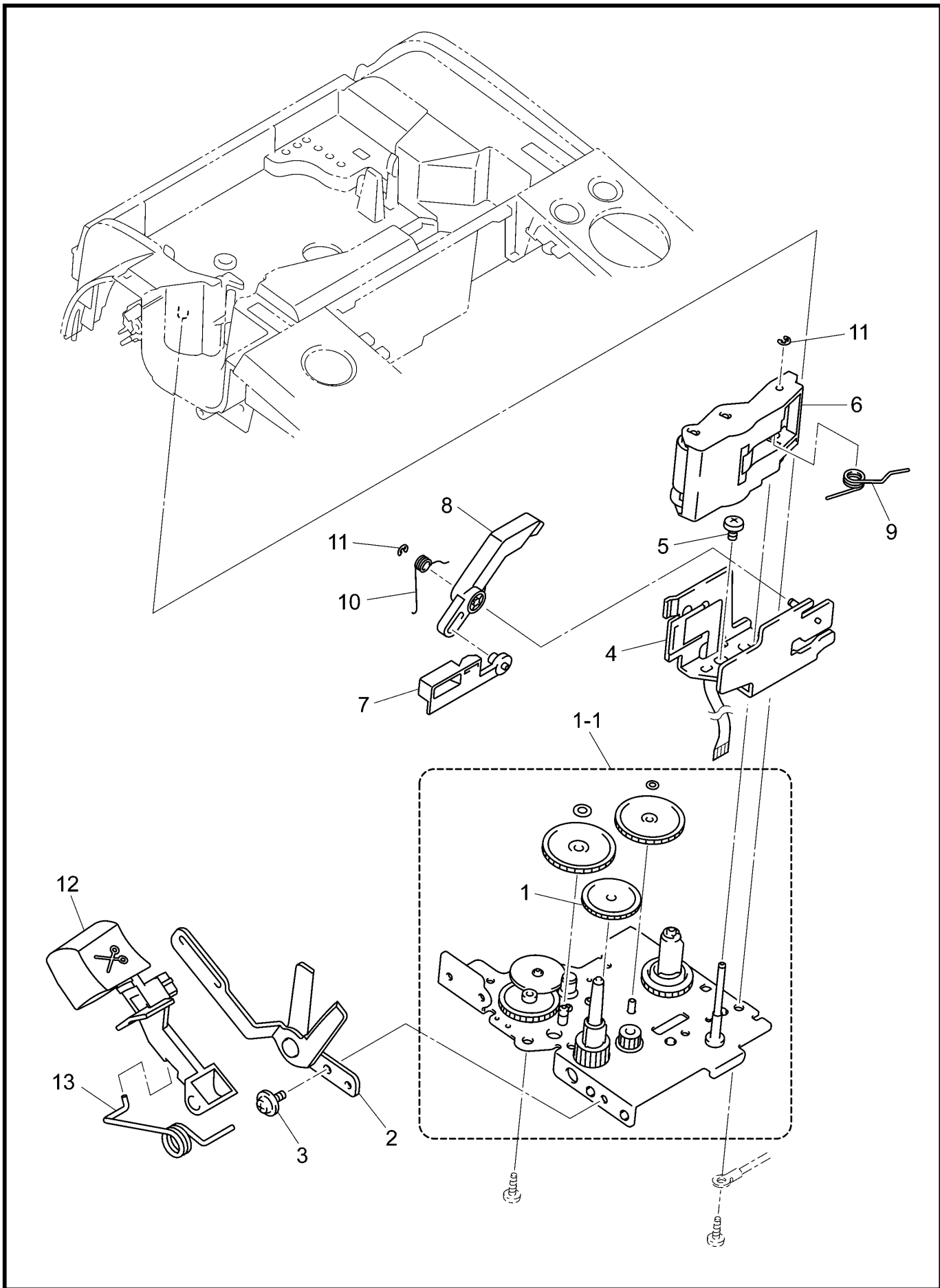
MODEL PT-1830 8V2-307-003

2 . POWER SUPPLY PCB

REF.NO	CODE	Q'TY	DESCRIPTION	SYMBOL	REMARKS
1-2	LN7105001	1	POWER PCB ASSY 1830		
4	J04640004	4	FUSE, 20N3000FS	⊘	DEL
2	W00325001	1	JACK, HEC0470		

MODEL PT-1830 8V2-307-102

3. PRINT MECHANISM

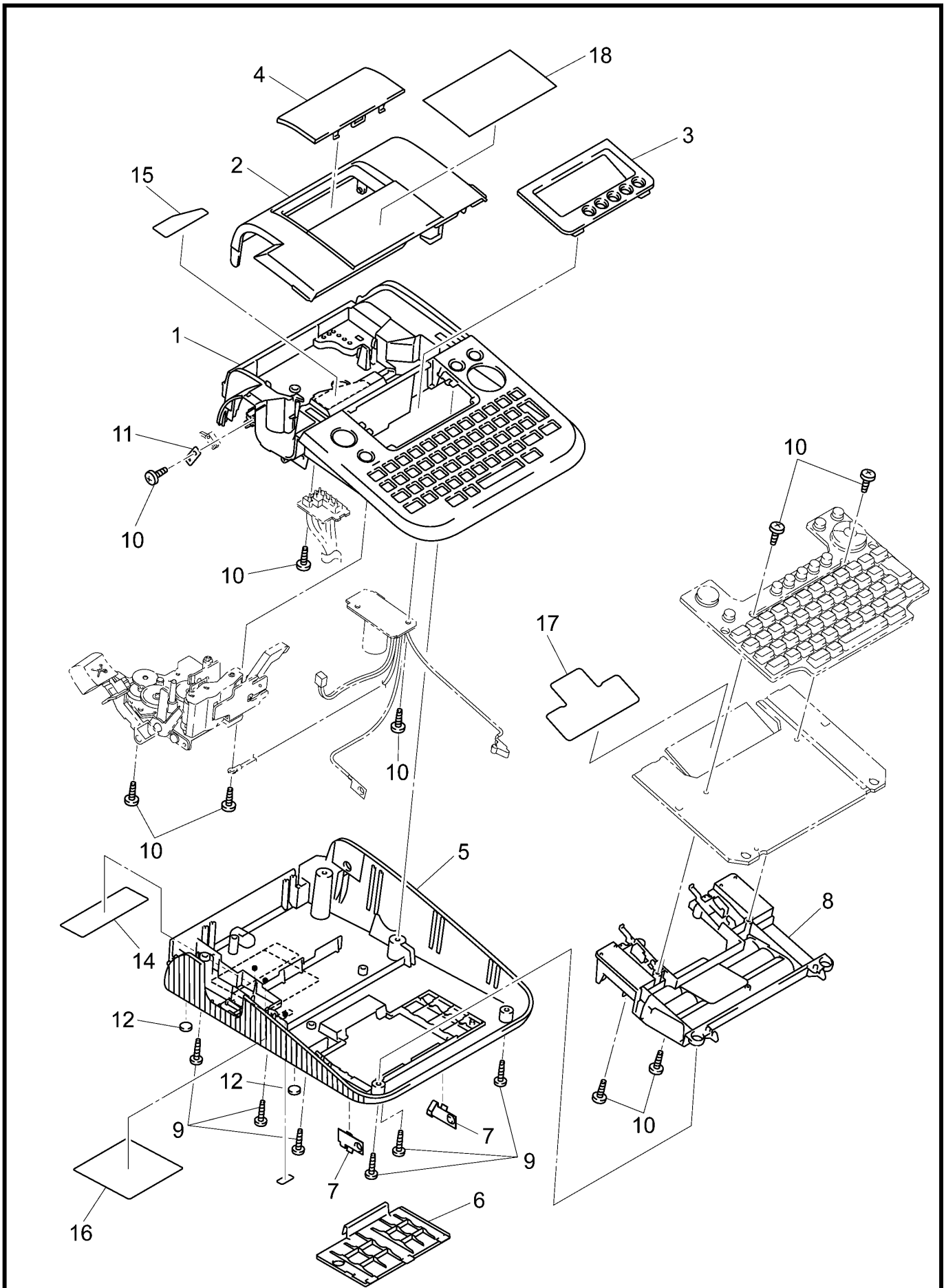


MODEL PT-1830 8V2-307-045

3 . PRINT MECHANISM

REF.NO.	CODE	QTY	DESCRIPTION	REMARKS
1-1	LN7075001	1	CHASSIS ASSY 1830	
1	LA3195001	1	IDLE GEAR	
2	LN8123001	1	CUTTER ASSY 18 (SP)	
3	087320516	1	TAPTITE CUP S M3X5	
4	LN7079001	1	HEAD ASSY KF1800-24	R
5	060300416	1	SCREW BIND M3X4	
6	LN3190001	1	ROLLER HOLDER ASSY 18	R
7	LN3198001	1	ROLLER HOLDER RELEASE ROD	
8	LN7083001	1	ROLLER RELEASE LEVER 1830	
9	LN3201001	1	ROLLER HOLDER RELEASE SPRING	
10	LN3202001	1	LEVER RELEASE SPRING	
11	048015346	2	RETAINING RING E1.5	
12	LN7084001	1	CUTTER LEVER 1830	
13	LN7085001	1	CUTTER RETURN SPRING	

4. COVERS

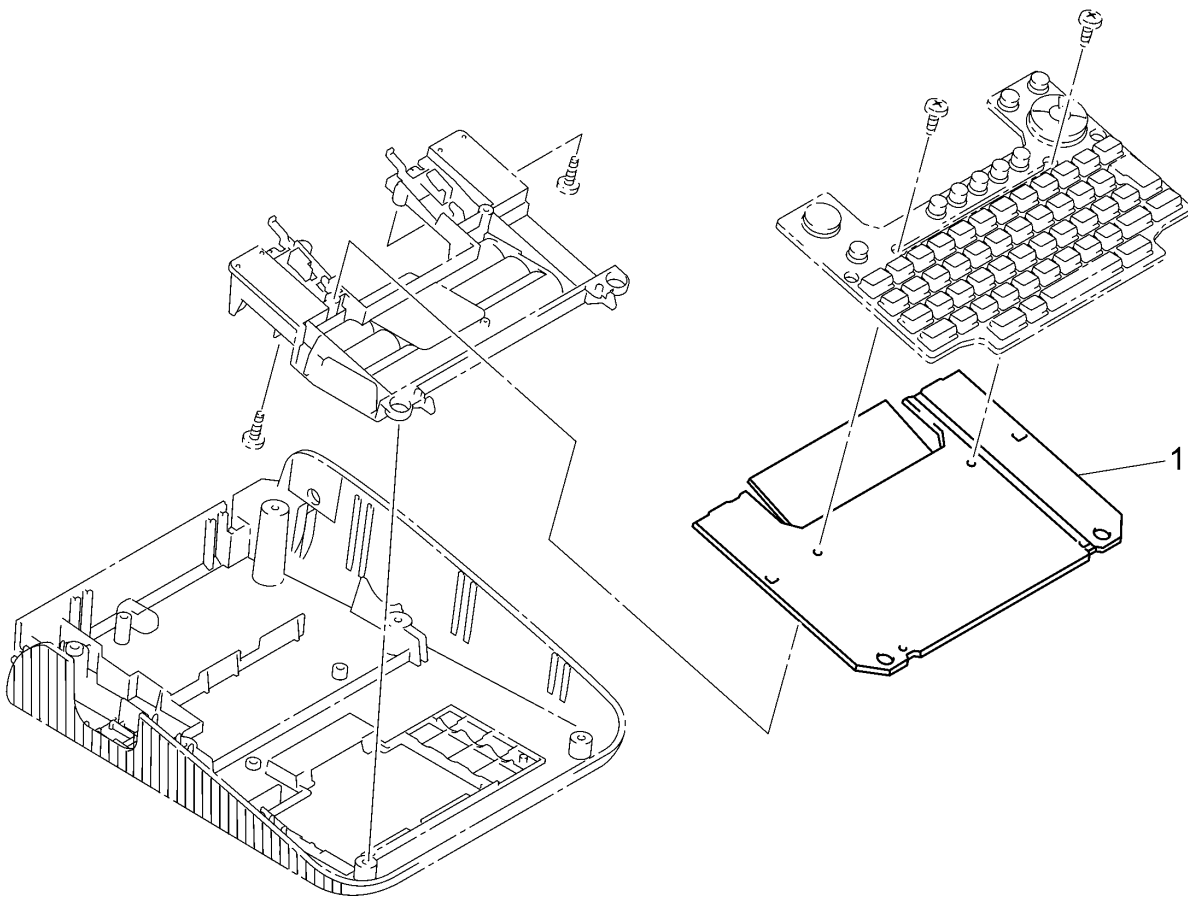
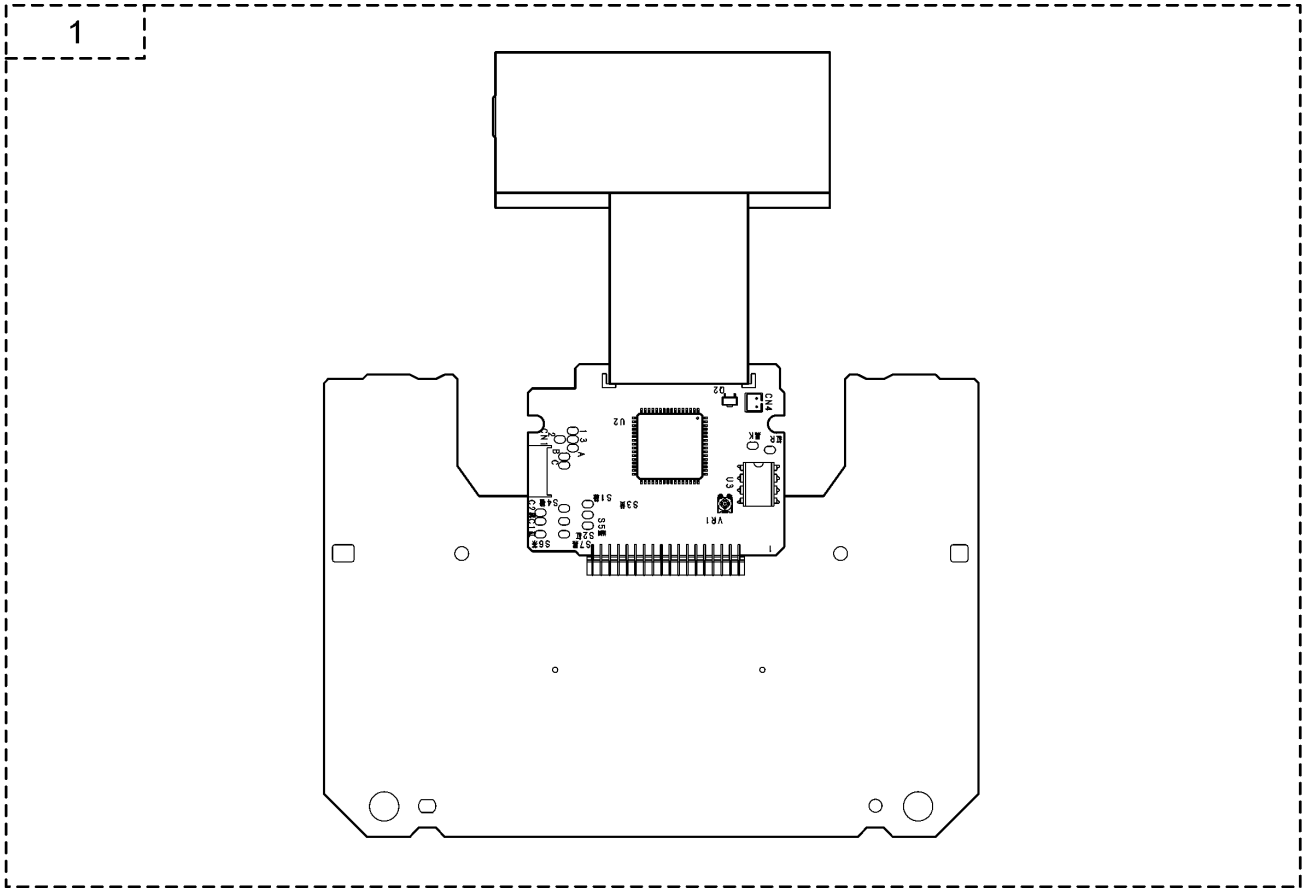


MODEL PT-1830 8V2-307-061

4 . COVERS

REF.NO.	CODE	Q'TY	DESCRIPTION	SYMBOL	REMARKS
1	LN7086001	1	UPPER COVER 1830 FOR USA/CAN/AUS		
1	LN7118001	1	UPPER COVER 1830 EU FOR DEU/GBR/FRA/CHE/DNK/AUT/ ESP/ZAF		
2	LN7087001	1	CASSETTE COVER 1830 FOR USA/CAN		
2	LN7120001	1	CASSETTE COVER 1830 EU FOR DEU/GBR/FRA/CHE/DNK/AUT/ ESP/ZAF/AUS		
3	LN7088001	1	LCD COVER 1830 US FOR USA/CAN/AUS		
3	LN7119001	1	LCD COVER 1830 EU FOR DEU/GBR/FRA/CHE/DNK/AUT/ESP/ ZAF		
4	LN7089001	1	CASSETTE COVER PANEL 1830 FOR USA/CAN		
4	LN7160001	1	CASSETTE COVER PANEL 1830 EU FOR DEU/GBR/FRA/CHE/ DNK/AUT/ESP/ZAF/AUS		
5	LN7090001	1	BOTTOM COVER 1830		
6	LN7157001	1	BATTERY LID SW		
7	UB3719000	2	BATTERY TERMINAL		
8	LN7091001	1	PCB HOLDER		
9	085271017	6	TAPTITE BIND B M2.6X10		
10	085270616	9	TAPTITE BIND B M2.6X6		
11	LA8035001	1	SW HOLD PLATE		
12	LA5753001	2	LOWER FOOT 2300		
13	LN7393004	4	MODEL NAME LABEL 1830		del
14	LA5001001	1	FCC LABEL 1750, US FOR USA		
14	LA5002001	1	FCC LABEL 1750, CA FOR CAN	D	
15	LN7401001	1	LEVER CAUTION LABEL 1830 FOR USA/CAN/AUS		
16	LN7400001	1	CAUTION LABEL 1830 EU FOR DEU/GBR/FRA/CHE/DNK/AUT/ ESP/ZAF/AUS		
17	LN7484001	1	LCD MYLAR LABEL 1830US, PT-1830/PT-1830SC FOR USA		
18	LN9394001	1	MYLAR LABEL PT-1830US, PT-1830/PT-1830SC FOR USA		

5 . MAIN PCB



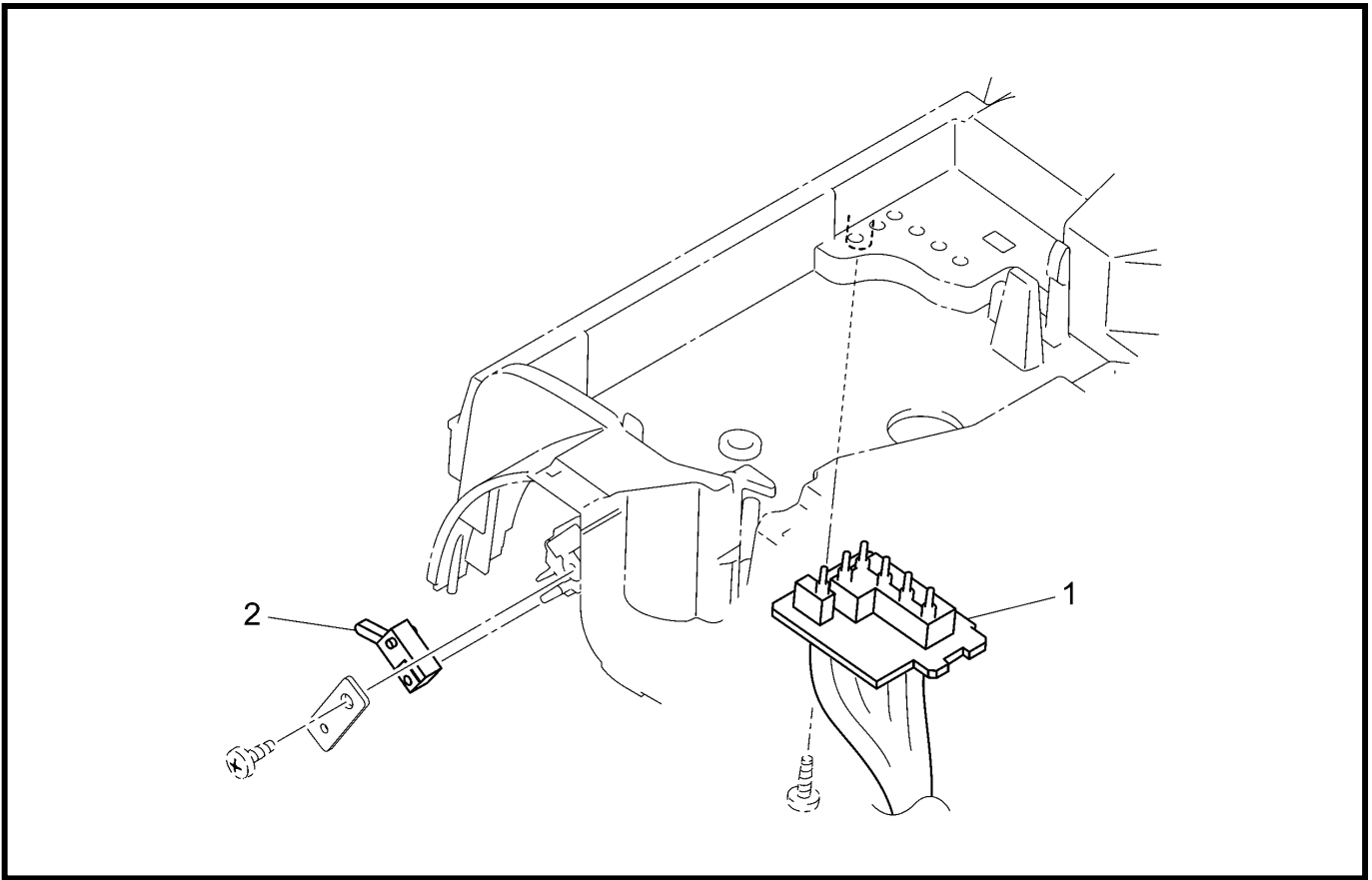
MODEL PT-1830 8V2-307-101

5 . MAIN PCB

REF.NO.	CODE	Q'TY	DESCRIPTION	SYMBOL	REMARKS
1	LN7100001	1	MAIN PCB ASSY 1830 FOR USA/CAN/AUS		R
1	LN7100003	1	MAIN PCB ASSY 1830 FOR DEU		R
1	LN7100002	1	MAIN PCB ASSY 1830 FOR GBR		R
1	LN7100004	1	MAIN PCB ASSY 1830 FOR FRA		R
1	LN7100008	1	MAIN PCB ASSY 1830 FOR CHE		R
1	LN7100007	1	MAIN PCB ASSY 1830 FOR DNK		R
1	LN7100005	1	MAIN PCB ASSY 1830 FOR AUT		R
1	LN7100006	1	MAIN PCB ASSY 1830 FOR ESP		R
1	LN7100009	1	MAIN PCB ASSY 1830 FOR ZAF		R

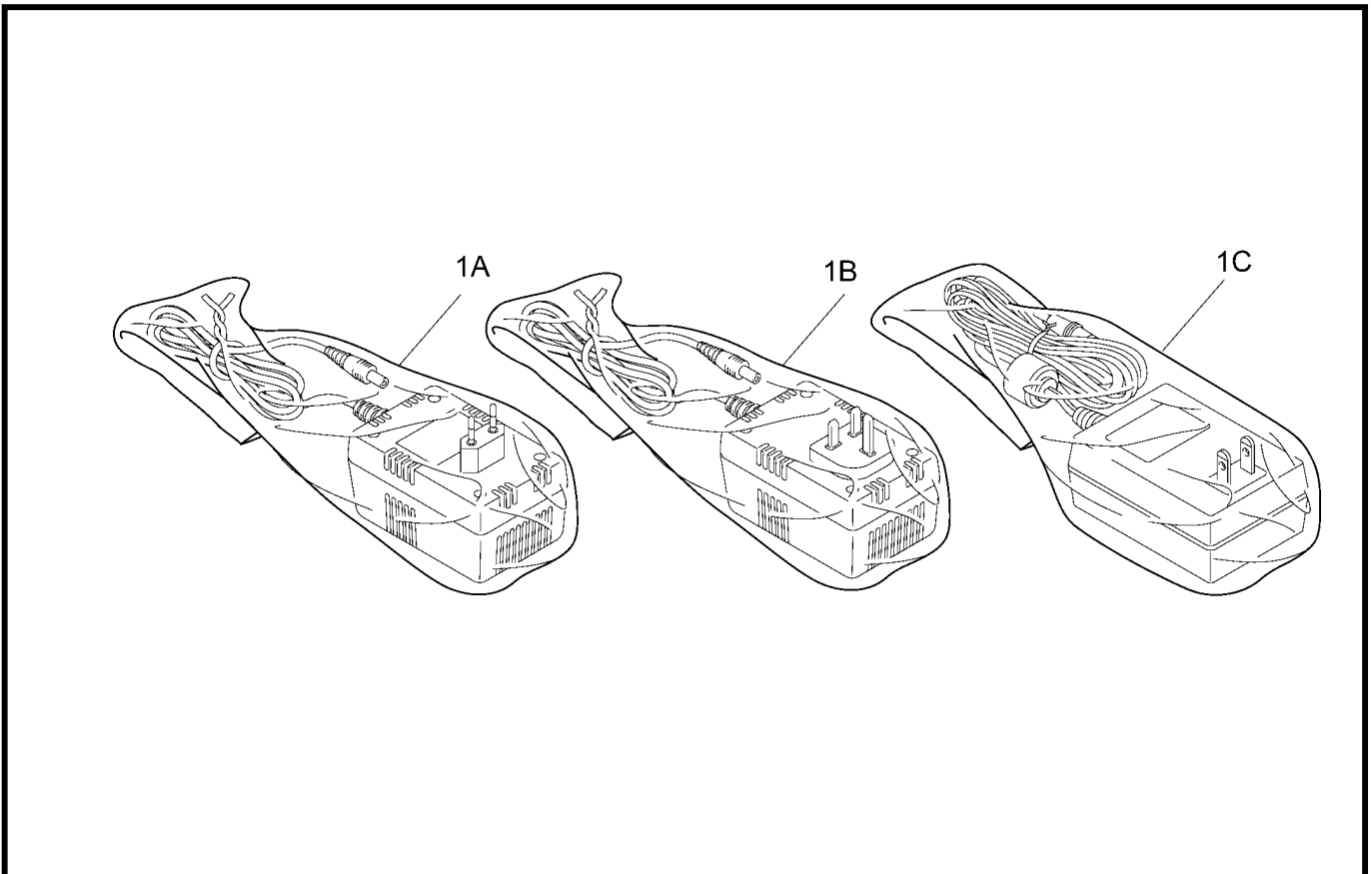
MODEL PT-1830 8V2-307-101

6. SENSORS



MODEL PT-1830 8V2-307-100

7. ATTACHMENTS



MODEL PT-1830 8V2-307-910

6 . SENSORS

REF.NO.	CODE	Q'TY	DESCRIPTION	SYMBOL	REMARKS
1	LN7097001	1	CASSETTE SENSOR PCB ASSY 1830		R
2	LN7099001	1	CUTTER SENSOR ASSY 1830		R

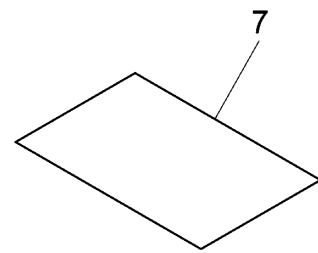
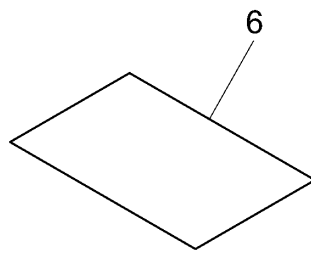
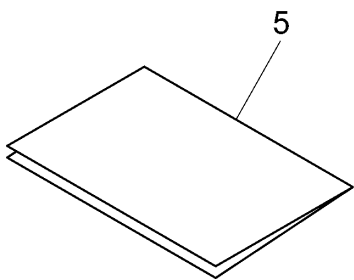
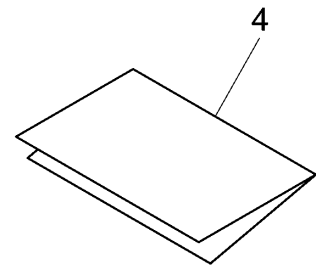
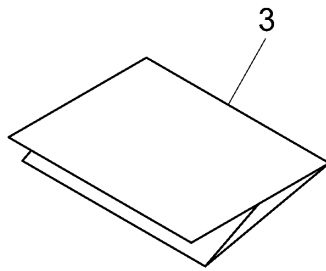
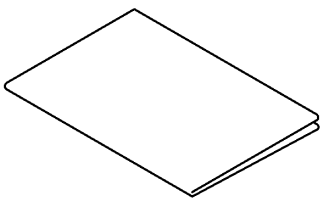
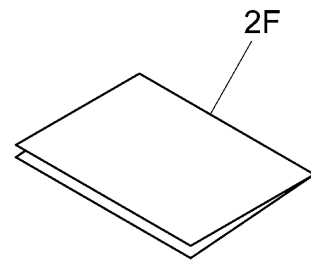
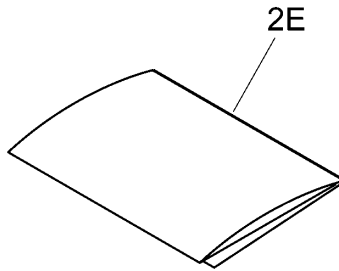
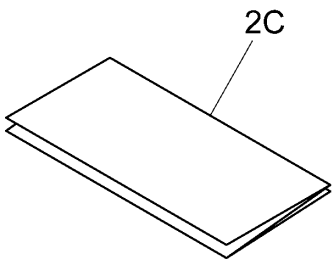
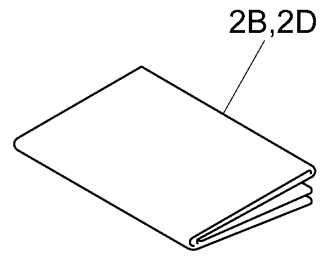
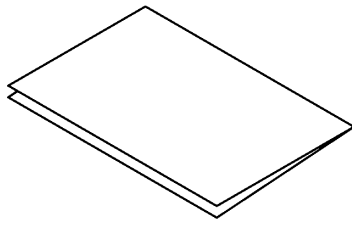
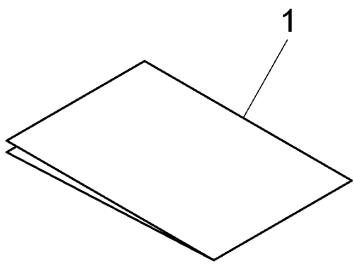
MODEL PT-1830 8V2-307-100

7 . ATTACHMENTS

REF.NO.	CODE	Q'TY	DESCRIPTION	SYMBOL	REMARKS
1A	LN7176001	1	ADAPTER MDL-G1 EC FOR DEU/FRA/CHE/DNK/AUT/ESP/ ZAF		
1B	LN7175001	1	ADAPTER MDL-G1 UK FOR GBR		
1C	LN9707000	1	ADAPTER AD-24, PT-1830SC FOR USA		

MODEL PT-1830 8V2-307-910

8 . PRINTED MATTER

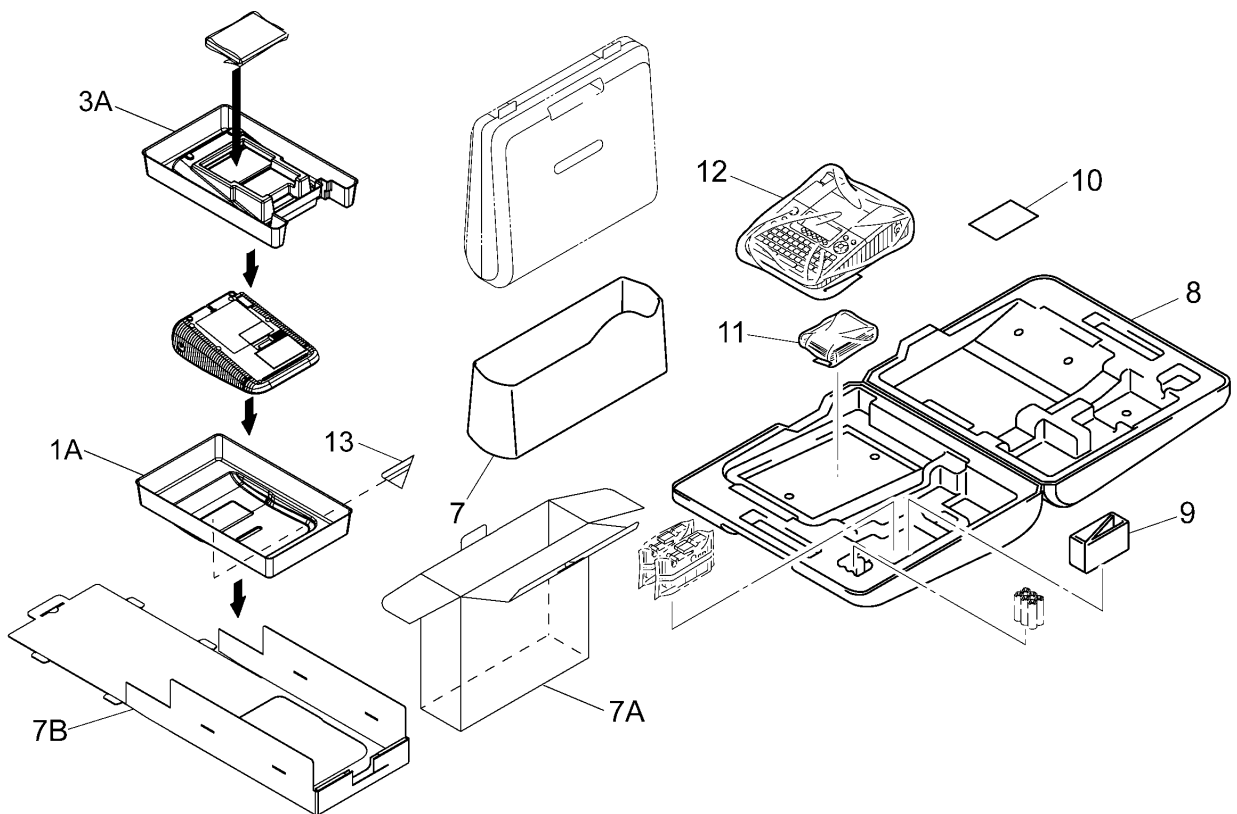
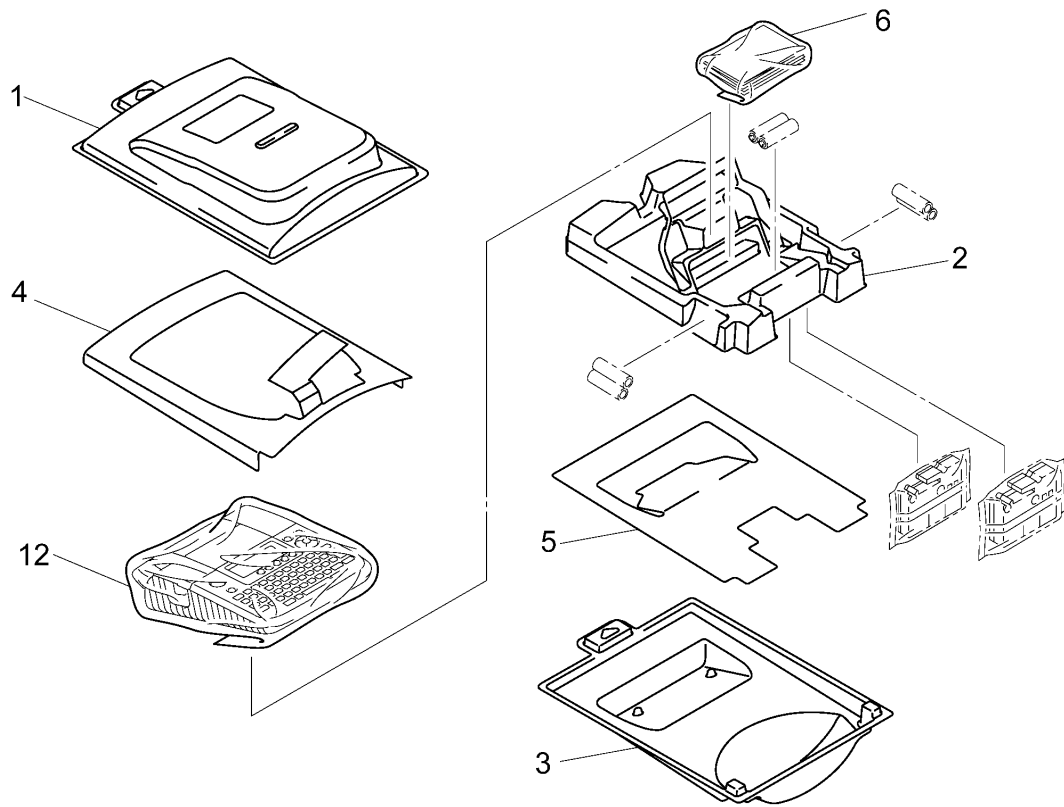


8 . PRINTED MATTER

REF.NO.	CODE	Q'TY	DESCRIPTION	SYMBOL	REMARKS
1	LN9953001	1	USER'S MANUAL 1830 USA FOR USA		
1	LN7584001	1	USER'S MANUAL 1830 DEU FOR DEU/AUT		
1	LN7589001	1	USER'S MANUAL 1830 UK FOR GBR/AUT/ZAF		
1	LN7590001	1	USER'S MANUAL 1830 FRA/DUT FOR FRA		
1	LN7596001	1	USER'S MANUAL 1830 CHE FR/GER FOR CHE		
1	LN7597001	1	USER'S MANUAL 1830 ITA/DUT FOR CHE		
1	LN7594001	1	USER'S MANUAL 1830 DAN/NOR FOR DNK		
1	LN7595001	1	USER'S MANUAL 1830 SWE/FIN FOR DNK		
1	LN7591001	1	USER'S MANUAL 1830 POL/HUN FOR AUT		
1	LN7592001	1	USER'S MANUAL 1830 CZE/SVN FOR AUT		
1	LN7593001	1	USER'S MANUAL 1830 SPA/POR FOR ESP		
1	LN9970001	1	USER'S MANEAL 1830 CAN ENG/FRA FOR CAN		
1	LN7808001	1	USER'S MANEAL 1830 AUS FOR AUS		
2E	LA4059001	1	WARRANTY CARD US CH, PT-1830/PT-1830VP FOR USA	C	
2E	LN9325001	1	WARRANTY CARD USA CH, PT-1830SC FOR USA		
2B	LA1661001	1	WARRANTY CARD EURO CH FOR DEU/GBR/FRA/CHE/DNK/AUT/ ESP		
2C	LM4756001	1	WARRANTY CARD IRE FOR GBR		
2D	LN7475001	1	WARRANTY CARD EEU FOR AUT	C	
2E	LJ5400001	1	WARRANTY CARD SPA FOR ESP		
2E	LM2652001	1	WARRANTY CARD POR FOR ESP		
2G	LF2491001	4	12 MONTH WARRANTY BOOKLET UK (GBR)		del
2F	LM2019001	1	WARRANTY CARD, SWE/NOR FOR DNK		
2J	LF4280001	4	3YR GUARANTEE CARD GER (DEU)		del
N/I	LW1164001	4	WARRANTY CARD CAN.E/F FOR CAN		
3	LN2976001	1	TAPE CATALOG 9500 US FOR USA	C	
3	LN7433001	1	TAPE CATALOG EU FOR DEU/GBR/FRA/CHE/DNK/AUT/ESP/ZAF		
3	LA1188001	1	TAPE CATALOG CA 18 CHN FOR CAN		
3	LN7630001	1	TAPE CATALOG AUS FOR AUS		
4	LN6297001	1	REGISTER INSERTION US CH FOR USA		
5	LN9950001	1	ACCESSORY ORDER FORM LIST FOR USA	C	chng#A
6	LN7656001	1	LEGEND INSERTION 1830 FOR CAN		
7	LN7657001	1	LEGEND LABEL 1830 FOR CAN		

MODEL PT-1830 8V2-307-920

9 . PACKING MATERIALS



MODEL PT-1830 8V2-307-930

9 . PACKING MATERIALS

REF.NO.	CODE	Q'TY	DESCRIPTION	SYMBOL	REMARKS
1	LN7151000	1	UPPER PACK SHELL 1830, PT-1830 FOR USA/CAN/AUS		
1A	LW1966000	1	UPPER PACK SHELL 1830SC, PT-1830SC FOR USA		
2	LN7422000	1	MIDDLE PACK SHELL 1830, PT-1830 FOR USA/CAN/AUS		
3	LN7152000	1	LOWER PACK SHELL 1830, PT-1830 FOR USA/CAN/AUS		
3A	LW1967000	1	LOWER PACK SHELL 1830SC, PT-1830SC FOR USA		
4	LN9395001	1	COMMERCIAL SHEET U PT-1830 US, PT-1830 FOR USA		
4	LN7517001	1	COMMERCIAL SHEET U 1830 CA FOR CAN		
4	LN7809001	1	COMMERCIAL SHEET U 1830 AUS FOR AUS		
5	LN9954001	1	COMMERCIAL SHEET L PT-1830 US, PT-1830 FOR USA		
5	LN9971001	1	COMMERCIAL SHEET L 1830 CA FOR CAN		
5	LN7810001	1	COMMERCIAL SHEET L 1830 AUS FOR AUS		
6	LA7456001	1	PE BAG, 130X250		
7	LN7579001	1	CARTON 1830VP FOR DEU/GBR/FRA/CHE/DNK/AUT/ESP/ZAF		
7A	LN9955001	1	CARTON 1830VP USA, PT-1830VP FOR USA		
7B	LW1968001	1	CARTON PT-1830SC, PT-1830SC FOR USA		
8	LN7578001	1	CARRYING CASE 1830, PT-1830VP		
9	LN7585001	1	CASSETTE SPACER 1830 FOR DEU/GBR/FRA/CHE/DNK/AUT/ESP/ZAF		
9	LN7911000	1	CASSETTE SPACER 1830VP USA, PT-1830VP FOR USA		
10	LN6939001	1	AUSTRIA LABEL SMALL FOR AUT		
11	LA7456001	1	PE BAG, 130X250		
12	LA0085001	1	BAG, 280X400H, PT-1830VP		
	UN8891001	1	C-TICK MARK FOR AUS		
	LN7898000	1	PAD 1830VP US, PT-1830VP FOR USA		
	LN7728000	2	PAD PT1830VP FOR DEU/GBR/FRA/CHE/DNK/AUT/ESP/ZAF		
	LW1194001	1	TZ LINE UP STICKER EU 2 FOR DEU/GBR/FRA/CHE/DNK/AUT/ESP/ZAF		
13	LW1974001	1	PT-1830SC STICKER 1, PT-1830SC FOR USA		

MODEL PT-1830 8V2-307-930

brother®

July, 2005
8V2064BE0

May, 2007
Revised
Ver.B-1