

brother®

P-touch

PARTS REFERENCE LIST

MODEL: PT-1950/1960

MECHANISMS & ELECTRONICS

NOTES FOR USING THIS PARTS REFERENCE LIST

1. When ordering parts, inform us of the following items:

- (1) Code
- (2) Q'ty
- (3) Description
- (4) Symbol (PCB No., Revision, and Parts location mounted on the PCB.)

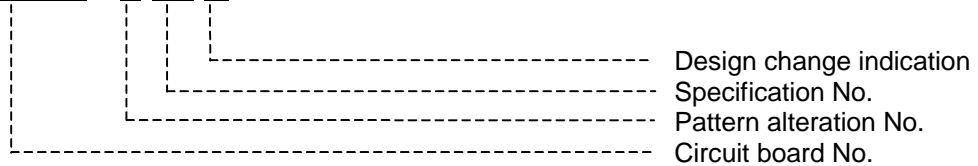
Note : Orders without Parts Code or Tool No. cannot be accepted.

[Example]

REF. NO.	SYMBOL	CODE	Q'TY	DESCRIPTION	REMARKS
					R

Revision No. : marked on the printed circuit board.

B55L180 - 1 01 A



2. Design-changed parts:

When the parts are design-changed, any one of the following symbols is indicated in the REMARKS column.

- CHNG#A : compatible between old and new
- CHNG#B : replaceable from old to new
- CHNG#D : incompatible
- ADD : newly added

3. Parts marked with an "R" in the REMARKS column are recommended spare parts.

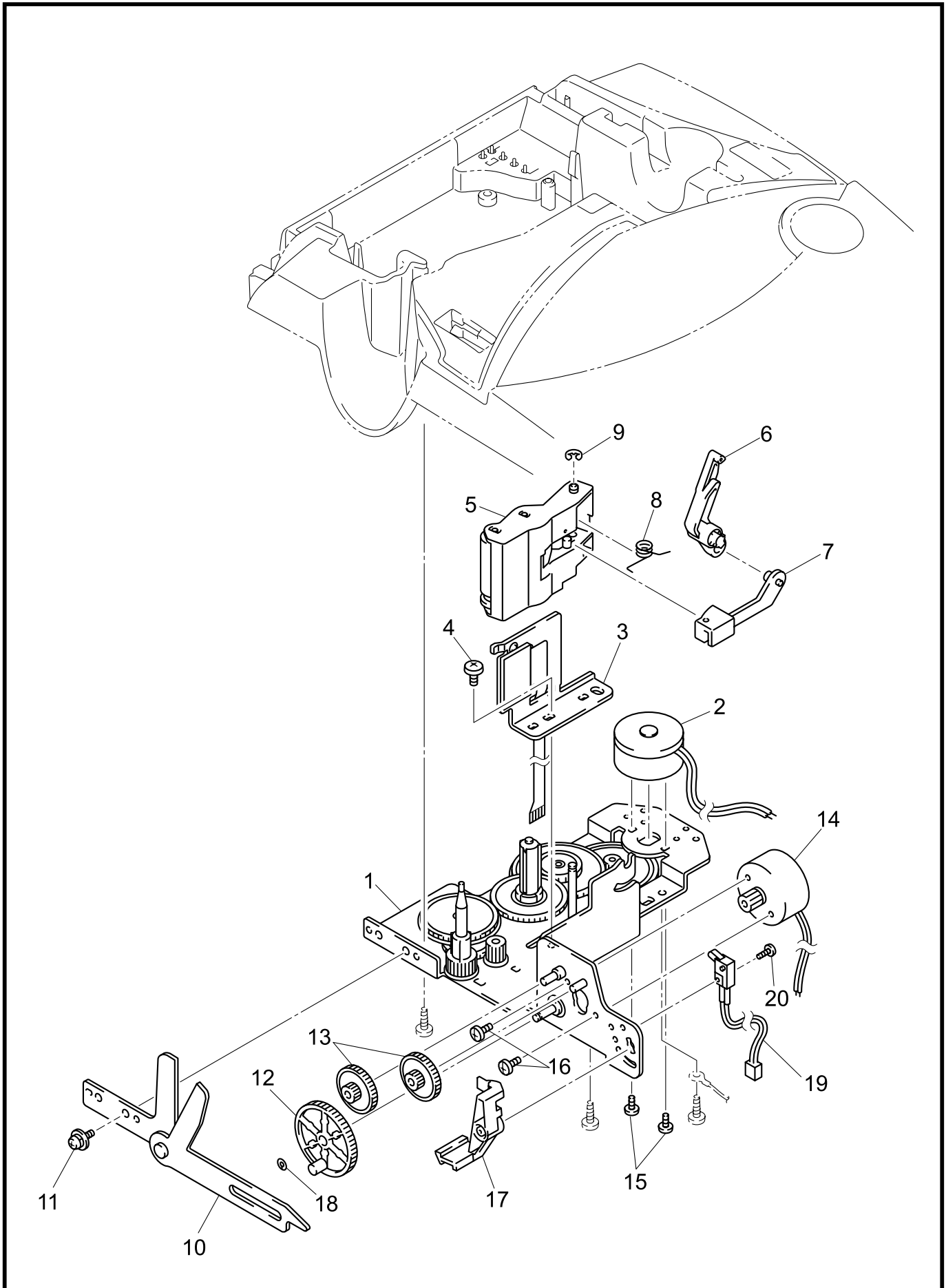
4. The original of this list was made based on the information as of June, 2004.

5. Parts are subject to change in design without prior notice.

CONTENTS

1 . PRINT MECHANISM	1
2 . COVERS	3
3 . MAIN PCB	5
4 . RUBBER KEY	7
5 . POWER SUPPLY PCB	7
6 . SENSORS	9
7 . ATTACHMENTS	9
8 . PRINTED MATTER	11
9 . PACKING MATERIALS	13

1 . PRINT MECHANISM



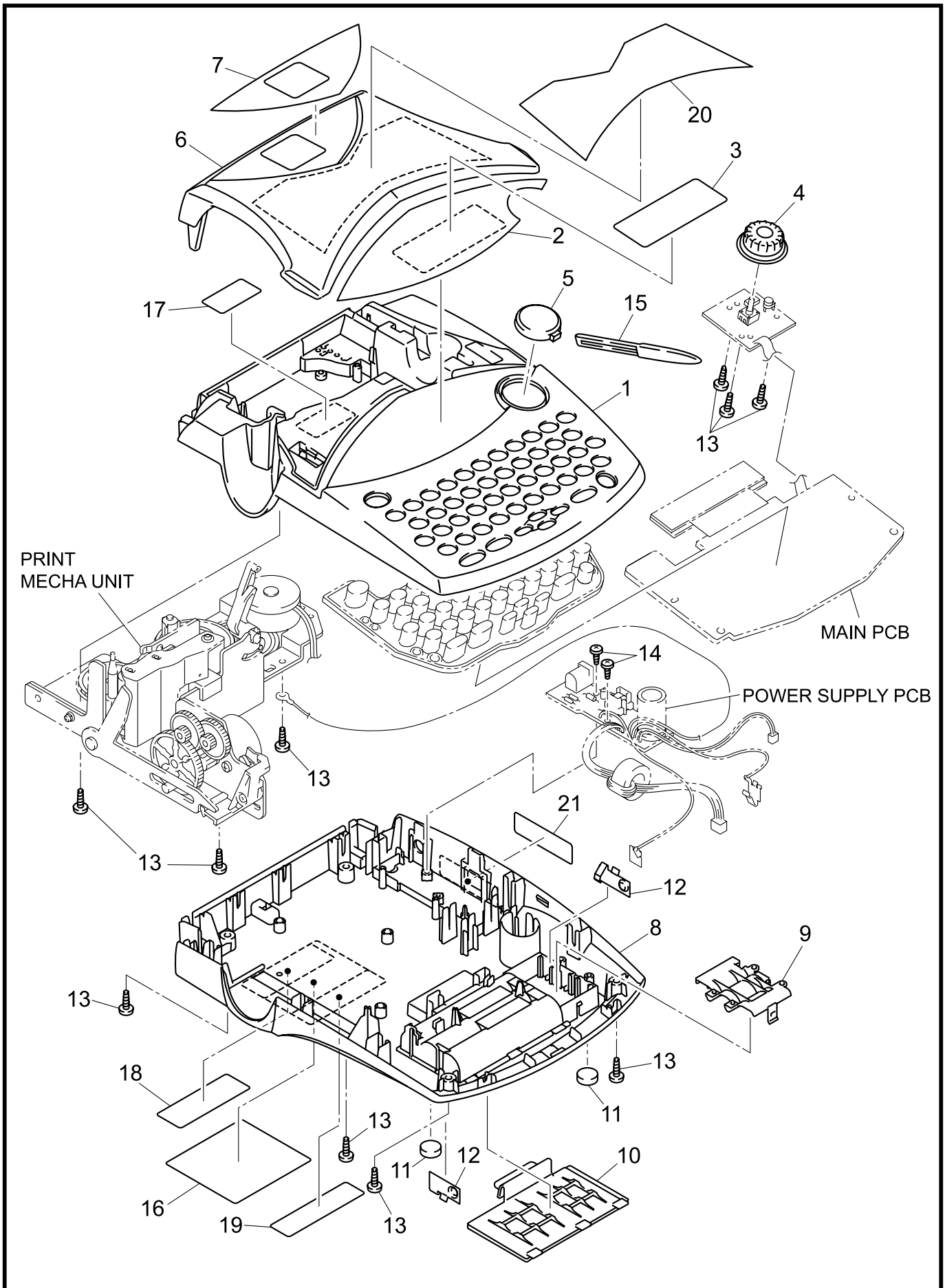
MODEL PT-1950/1960 8V2-327-045

1 . PRINT MECHANISM

REF.NO.	CODE	Q'TY	DESCRIPTION	REMARKS
1	LN6102001	1	CHASSIS ASSY 1950	
2	LA3963001	1	DC MOTOR ASSY F	
3	LA5688001	1	HEAD ASSY, KV1801-26B	R
4	060300415	1	SCREW, BIND M3X4	
5	LA4711001	1	ROLLER HOLDER ASSY 240	R
6	LA4886001	1	ROLLER RELEASE LEVER 1750	
7	LA4887001	1	ROLLER HOLDER RELEASE ROD	
8	LA4888001	1	ROLLER HOLDER RELEASE SPRING	
9	048020346	1	RETAINING RING, E2	
10	LA6151001	1	CUTTER ASSY (SP)	R
11	0A4300605	1	SCREW, PAN (S/P WASHER) M3X6	
12	UT0252001	1	CUTTER MOVING GEAR	
13	UT0254000	2	CUTTER DOUBLE GEAR	
14	LN5945001	1	CUTTER MOTER ASSY 1950	
15	LA8420001	2	SCREW, PAN M1.7X3	
16	UN3640001	2	SCREW, PAN 1.7X2.5	
17	LA0305001	1	ACTUATOR 2400	
18	UB3733001	1	WASHER 2.6	
19	UT1466001	1	FULL CUTTER SENSOR PRO ASSY	
20	UT0855001	1	SCREW, PAN M1.7X6	

MODEL PT-1950/1960 8V2-327-045

2. COVERS



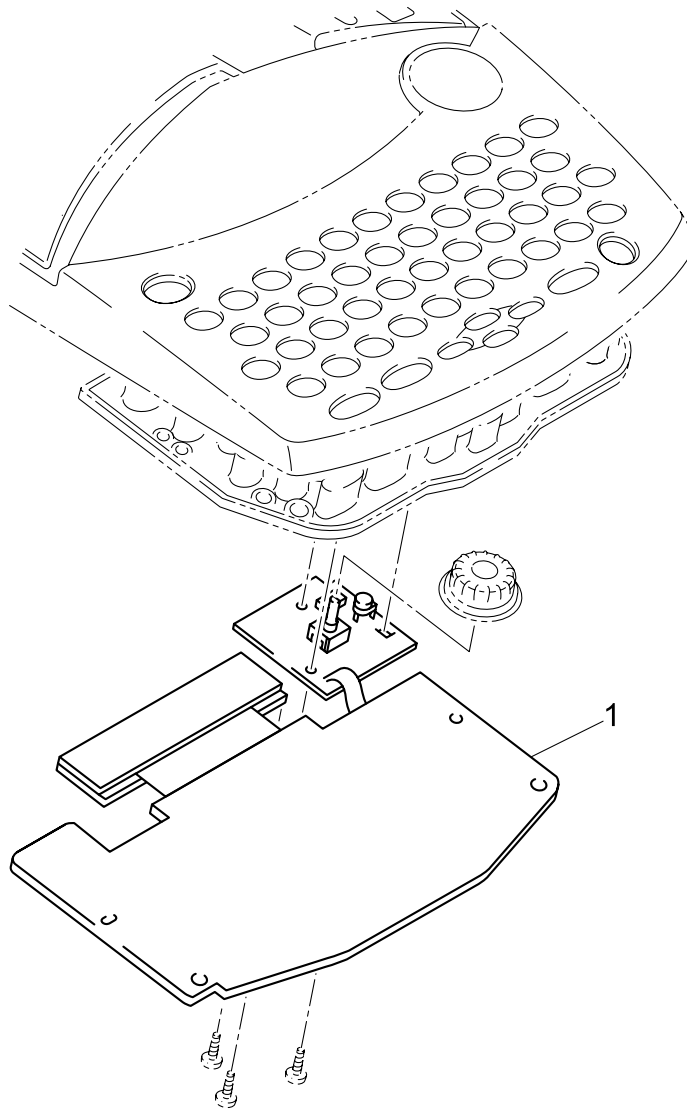
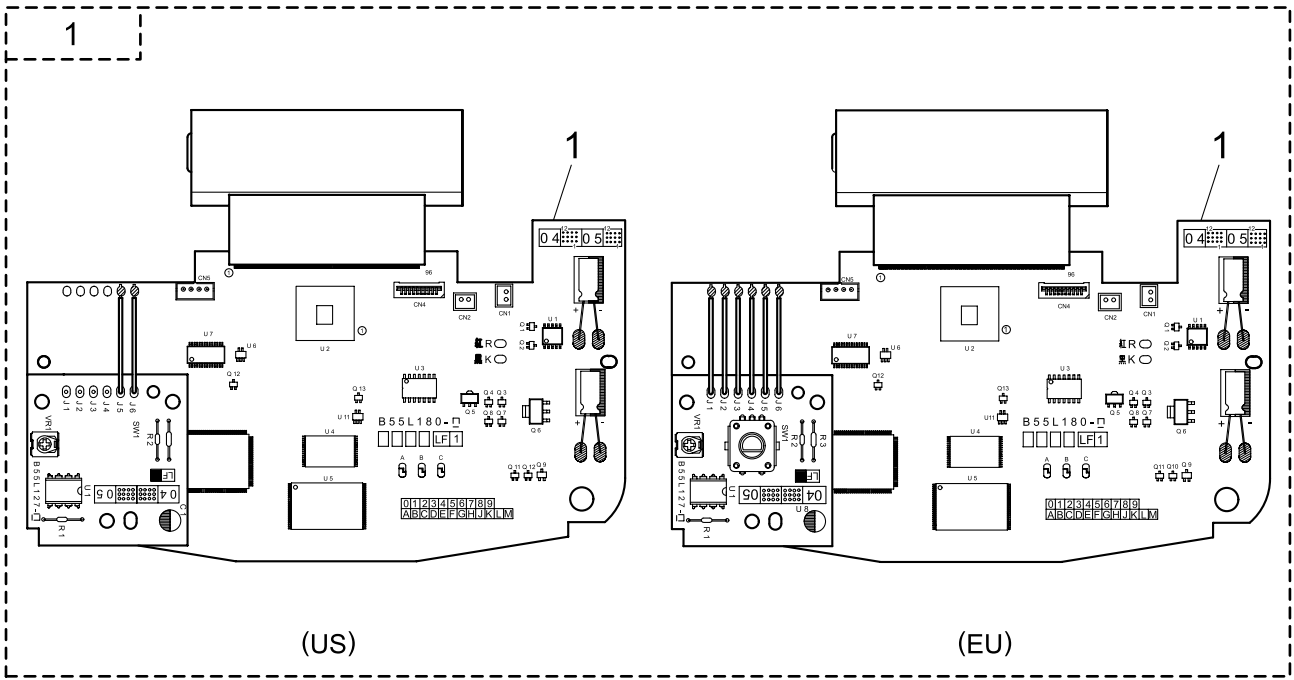
MODEL PT-1950/1960 8V2-327-061

2 . COVERS

REF.NO.	CODE	Q'TY	DESCRIPTION	REMARKS
1	LN3595001	1	UPPER COVER 1950 US (USA/CAN/AUS)	
1	LN5803001	1	UPPER COVER 1950 DEU (DEU/AUT)	
1	LN5802001	1	UPPER COVER 1950 GBR (GBR/IRL/NLD/CHE/DNK/SWE/ITA/BEL/FIN/NOR/ESP/ZAF)	
1	LN5804001	1	UPPER COVER 1950 FRA (FRA)	
2	LA7380001	1	LCD PANEL 1900 US (USA/CAN/AUS)	
2	LA7416001	1	LCD PANEL 1850 GE (DEU/AUT)	
2	LA7431001	1	LCD PANEL 1850 UK (GBR/IRL/NLD/CHE/DNK/SWE/ITA/BEL/FIN/NOR/ESP/ZAF)	
2	LA7435001	1	LCD PANEL 1850 FR (FRA)	
3	LA7931001	1	LCD LABEL 1900 US (USA) (PT-1950)	
4	LA7417001	1	NAVI DIAL 1850 GE (DEU/AUT)	
4	LA7432001	1	NAVI DIAL 1850 UK (GBR/IRL/NLD/CHE/DNK/SWE/ITA/BEL/FIN/NOR/ESP/ZAF)	
4	LA7436001	1	NAVI DIAL 1850 FR (FRA)	
5	LA5696001	1	EMBLEM 2300 (USA/CAN/AUS)	
6	LA7381002	1	CASSETTE COVER 1900, GRAY1593 (USA/CAN)	
6	LA7381001	1	CASSETTE COVER 1900, BLUE6350 (EUROPE/AUS/ZAF)	
7	LA7382001	1	TAPE PANEL 1900 (USA/CAN)	
7	LN5961001	1	TAPE PANEL 1950 EU (EUROPE/AUS/ZAF)	
8	LN5790001	1	BOTTOM COVER 1950	
9	UN0401003	1	BLIND COVER	
10	LA0092003	1	BATTERY LID PS	
11	LA5753001	2	LOWER FOOT 2300	
12	UB3719000	2	BATTERY TERMINAL	
13	085270817	10	TAPTITE, BIND B M2.6X8	
14	085270615	2	TAPTITE, BIND B M2.6X6	
15	LA4896001	1	PEELER-STICK	
16	LA7857001	1	CAUTION LABEL 1850 EC (EUROPE/ZAF)	
17	LA5701001	1	LEVER CAUTION LABEL 2300 (USA/CAN/AUS)	
18	LA5702001	1	CAUTION LABEL 2300 US (USA/CAN/AUS)	
19	LA4998001	1	C-TICK MARK (AUS)	
20	LN6169001	1	MYLAR LABEL 1950 US (USA/CAN) (PT-1950)	
20	LN6178001	1	MYLAR LABEL 1950 EU (EUROPE/ZAF)	
20	LN6292001	1	MYLAR LABEL 1950 AUS (AUS)	
20	LN6170001	1	MYLAR LABEL 1960 US (USA) (PT-1960)	
21	LN3730001	1	USB STICKER US (USA/CAN/GBR/IRL/AUS/ZAF)	

MODEL PT-1950/1960 8V2-327-061

3. MAIN PCB



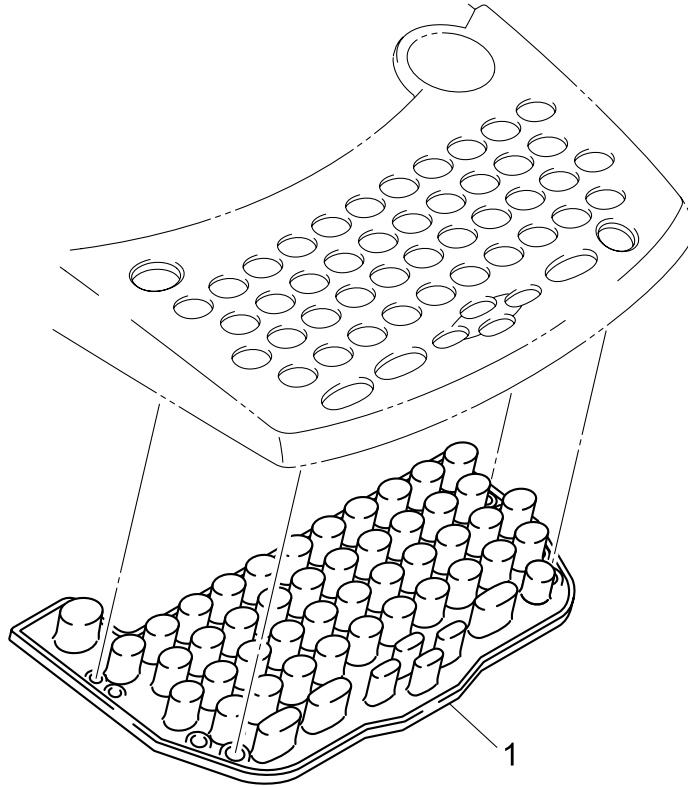
MODEL PT-1950/1960 8V2-327-101

3 . MAIN PCB

REF.NO.	SYMBOL	CODE	Q'TY	DESCRIPTION	REMARKS
1	B55L180-202D B55L127-3A	LN5962001	1	MAIN PCB UNIT 1950 EU (EUROPE/ZAF)	R
1	B55L180-201D B55L127-3A	LN5947001	1	MAIN PCB UNIT 1950 US (USA/CAN/AUS)	R

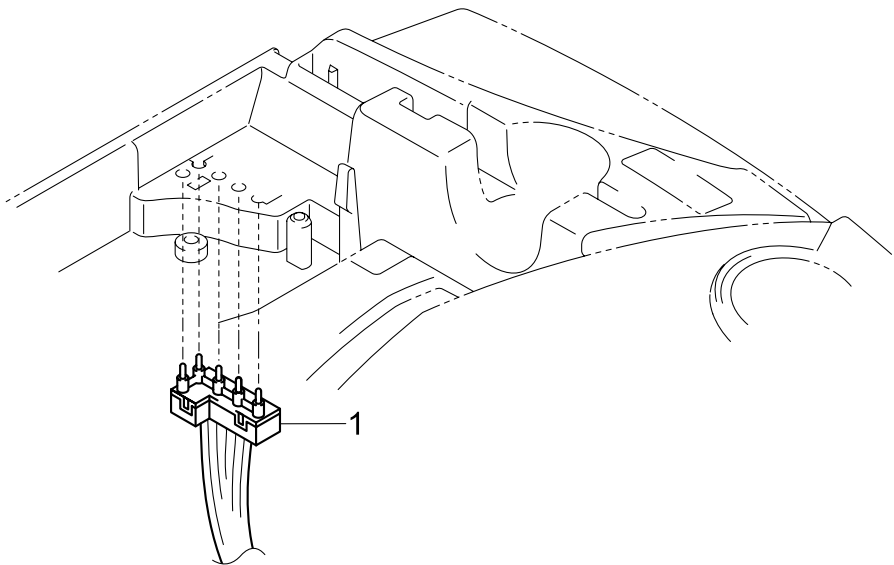
MODEL PT-1950/1960 8V2-327-101

4 . RUBBER KEY



MODEL PT-1950/1960 8V2-327-003

5 . SENSORS



MODEL PT-1950/1960 8V2-327-100

4 . RUBBER KEY

REF.NO.	CODE	Q'TY	DESCRIPTION	REMARKS
1	LA7410001	1	RUBBER 51 KEY 1850 GE (DEU/AUT)	
1	LA7429001	1	RUBBER 51 KEY 1850 UK (GBR/IRL/NLD/CHE/DNK/SWE/ITA/FIN/NOR/ESP/ZAF)	
1	LA7433001	1	RUBBER 51 KEY 1850 FR (FRA)	
1	LA7437001	1	RUBBER 51 KEY 1850 BG (BEL)	
1	LA7378001	1	RUBBER 51 KEY 1900 US (USA/CAN/AUS)	

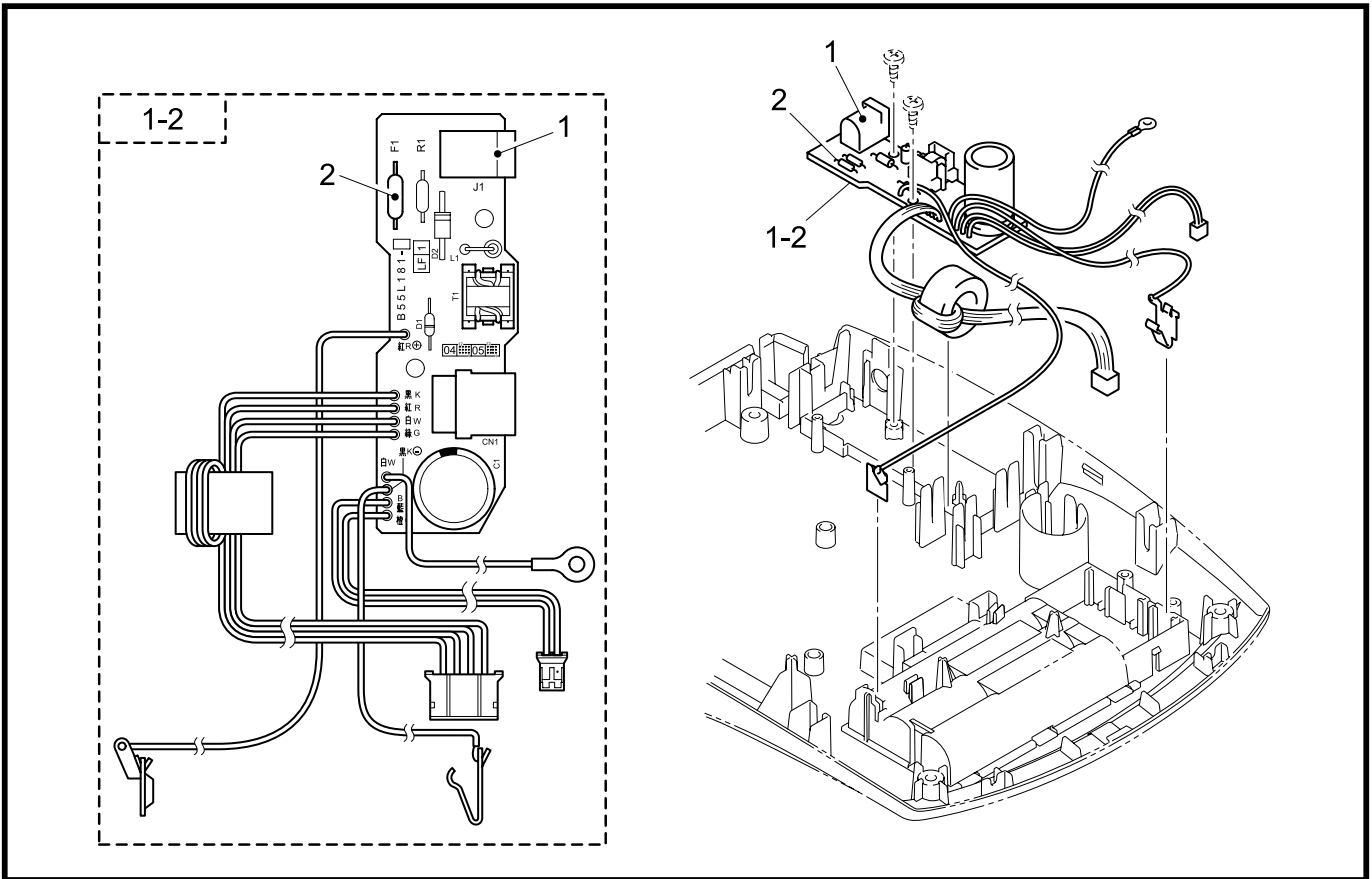
MODEL PT-1950/1960 8V2-327-003

5 . SENSORS

REF.NO.	SYMBOL	CODE	Q'TY	DESCRIPTION	REMARKS
1	SW-240	LA5704001	1	SWITCH ASSY 2300	

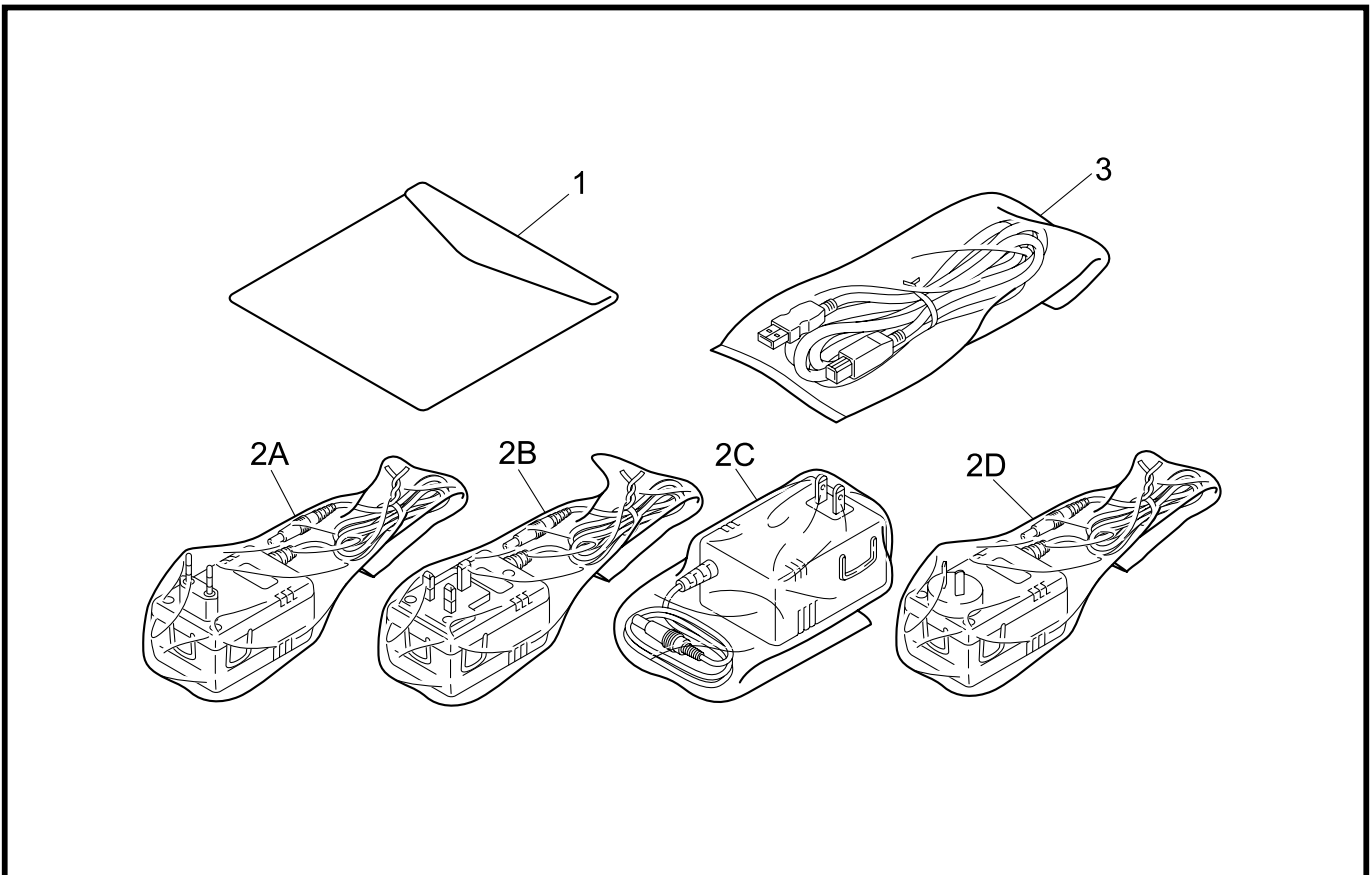
MODEL PT-1950/1960 8V2-327-100

6 . POWER SUPPLY PCB



MODEL PT-1950/1960 8V2-327-102

7 . ATTACHMENTS



MODEL PT-1950/1960 8V2-327-910

6 . POWER SUPPLY PCB

REF.NO.	SYMBOL	CODE	Q'TY	DESCRIPTION	REMARKS
1-2	B55L181-1	LN5953001	1	POWER PCB ASSY 1950	R
1	J1	W00325001	1	JACK, HEC0470	
2	F1	UN0999000	1	FUSE, 125V4A	

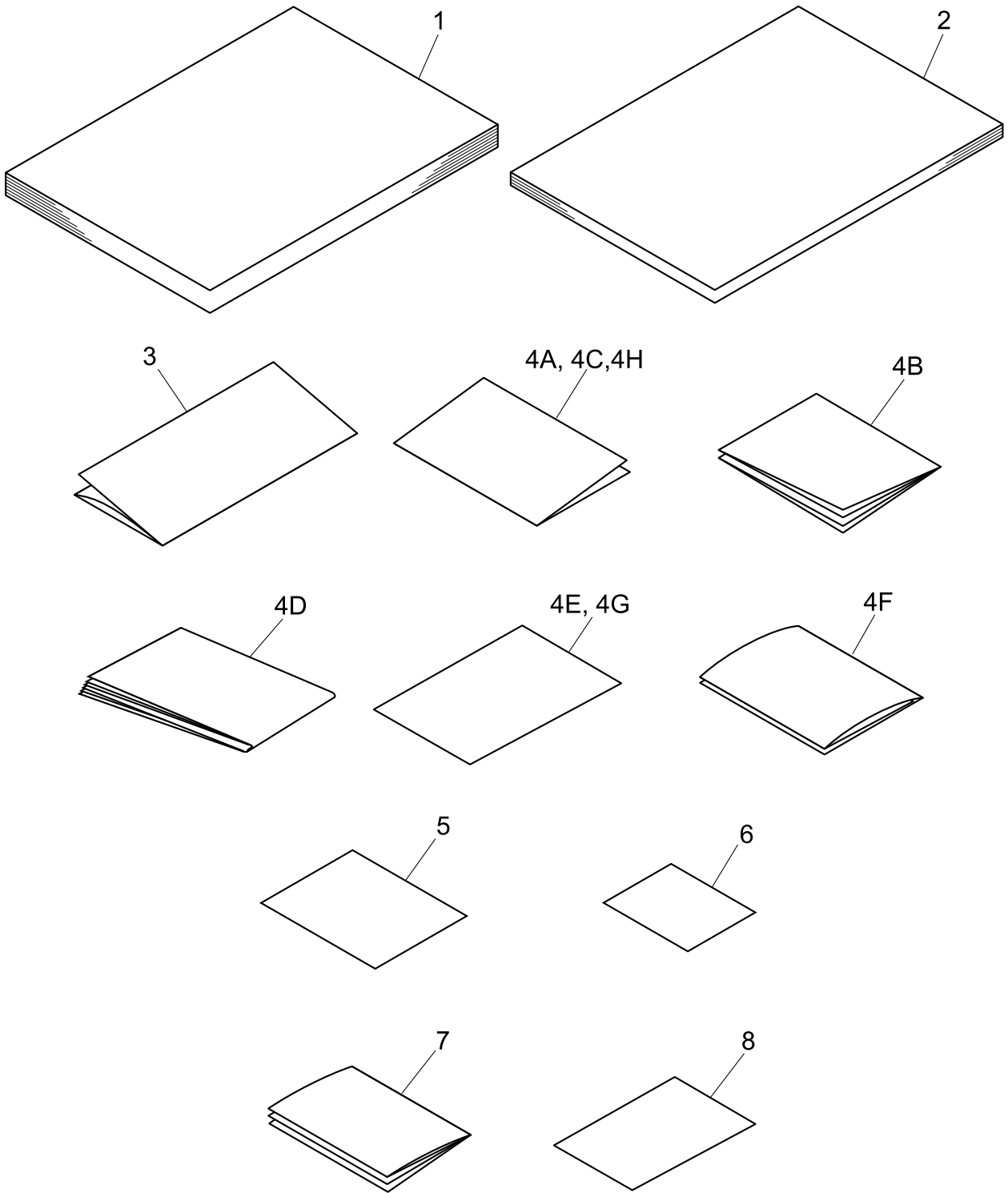
MODEL PT-1950/1960 8V2-327-102

7 . ATTACHMENTS

REF.NO.	SYMBOL	CODE	Q'TY	DESCRIPTION	REMARKS
1		LN6179001	1	CD-ROM ASSY 1950 US (USA/AUS)	
1		LN6210001	1	CD-ROM ASSY 1950 EU (EUROPE/CAN/ZAF)	
2A		LA9381001	1	ADAPTER MDL-H1 EC (DEU/FRA/NLD/CHE/DNK/SWE/AUT/ITA /BEL/FIN/NOR/ESP/ZAF)	
2B		LA9380001	1	ADAPTER MDL-H1 UK (GBR/IRL)	
2C		LN5874001	1	ADAPTER AD-60 LEI (USA/CAN)	
2D		LA7144001	1	ADAPTER AD-6000 (AUS)	
3		LN6270001	1	USB2.0 I/F CABLE WY (EUROPE/ZAF)	
3		LN6270001	1	USB2.0 I/F CABLE WY (USA) (PT-1960)	

MODEL PT-1950/1960 8V2-327-910

8 . PRINTED MATTER



MODEL PT-1950/1960 8V2-327-920

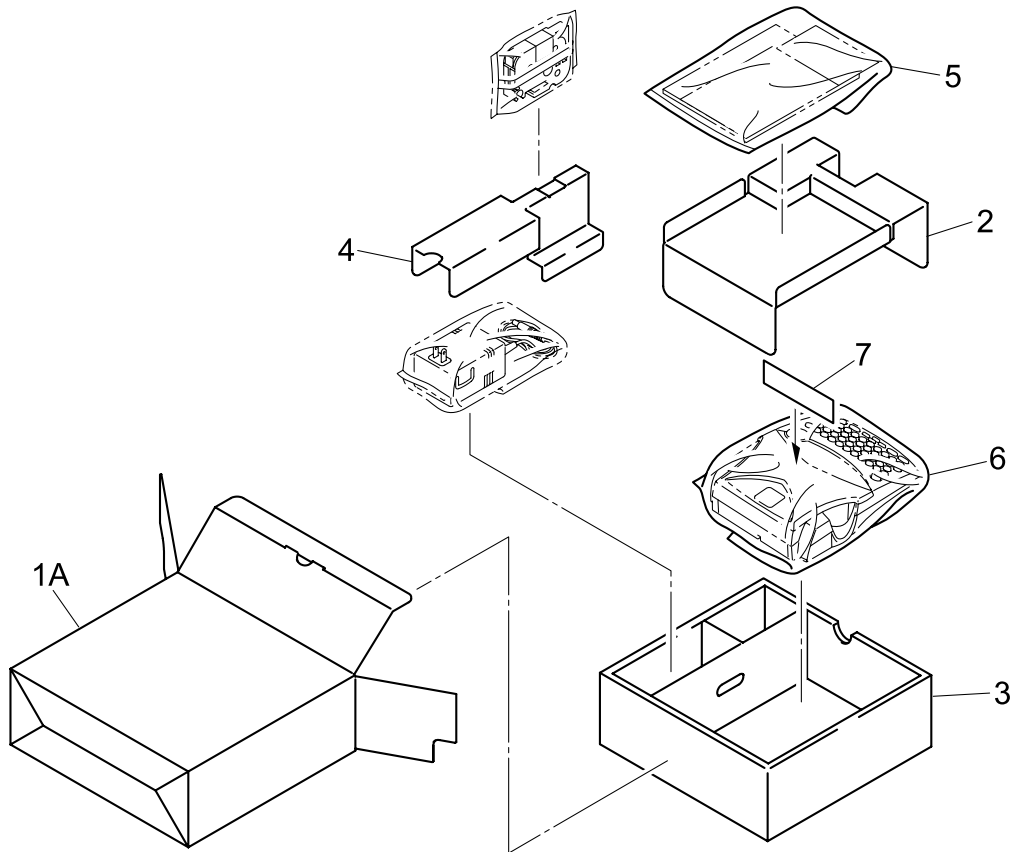
8 . PRINTED MATTER

REF.NO.	SYMBOL	CODE	Q'TY	DESCRIPTION	REMARKS
1		LN6172001	1	USER'S MANUAL 1950 US (USA)	
1		LN6243001	1	USER'S MANUAL 1950 GEAMAN (DEU/AUT)	
1		LN6234001	1	USER'S MANUAL 1950 GBR.ENGLIS (GBR/IRL/ZAF)	
1		LN6246001	1	USER'S MANUAL 1950 FRENCH (FRA)	
1		LN6249001	1	USER'S MANUAL 1950 DUTCH (NLD/BEL)	
1		LN6293001	1	USER'S MANUAL 1950 AUS (AUS)	
1		LN6290001	1	USER'S MANUAL 1950, CAN (CAN)	
1		LN6252001	1	USER'S MANUAL 1950, CHE.FRENCH (CHE/BEL)	
1		LN6253001	1	USER'S MANUAL 1950, CHE.GERMAN (CHE)	
1		LN6287001	1	USER'S MANUAL 1950, DANISH (DNK)	
1		LN6256001	1	USER'S MANUAL 1950, SWEDISH (SWE)	
1		LN6261001	1	USER'S MANUAL 1950, ITALIAN (ITA)	
1		LN6264001	1	USER'S MANUAL 1950, FINNISH (FIN)	
1		LN6267001	1	USER'S MANUAL 1950, NORWEGIAN (NOR)	
1		LN6271001	1	USER'S MANUAL 1950, SPANISH (ESP)	
2		LN6173001	1	INSTALL GUIDE	
3		LN2976001	1	TAPE CATALOG 9500 US (USA)	
3		LN6235001	1	TAPE CATALOG 1950 EU (EUROPE/ZAF)	
3		LA1188001	1	TAPE CATALOG CA 18 CHN (CAN)	
3		LA2895001	1	TZ TAPE CATALOG, AUS CH (AUS)	
4A		LA7986001	1	REGISTRATION CARD (USA)	
4B	F	UH3851001	1	WARRANTY CARD EUR (DEU/GBR/FRA/IRL/NLD/CHE/DNK /SWE/AUT/ITA/BEL/NOR/ESP)	
4C		LE5115001	1	WARRANTY CARD SWE-A (SWE)	
4D	B	UN8607001	1	WARRANTY CARD, CAN.E/F (CAN)	
4E		UB3650001	1	WARRANTY CARD, FRENCH (FRA)	
4F		LA1757001	1	WARRANTY CARD, SPA (ESP)	
4G		LF2491001	1	12 MONTH WARRANTY BOOKLET UK (GBR)	
4H		LF4280001	1	3YR GUARANTEE CARD GER (DEU)	
5		LN6232001	1	LEGEND INSERTION 1950 (CAN)	
6		LN6233001	1	LEGEND LABEL 1950 (CAN)	
7	B	LA8624001	1	ACCESSORY ORDER FORM LIST (USA)	
8		LA7789001	1	UNPACKING INSTRUCTION 1900	

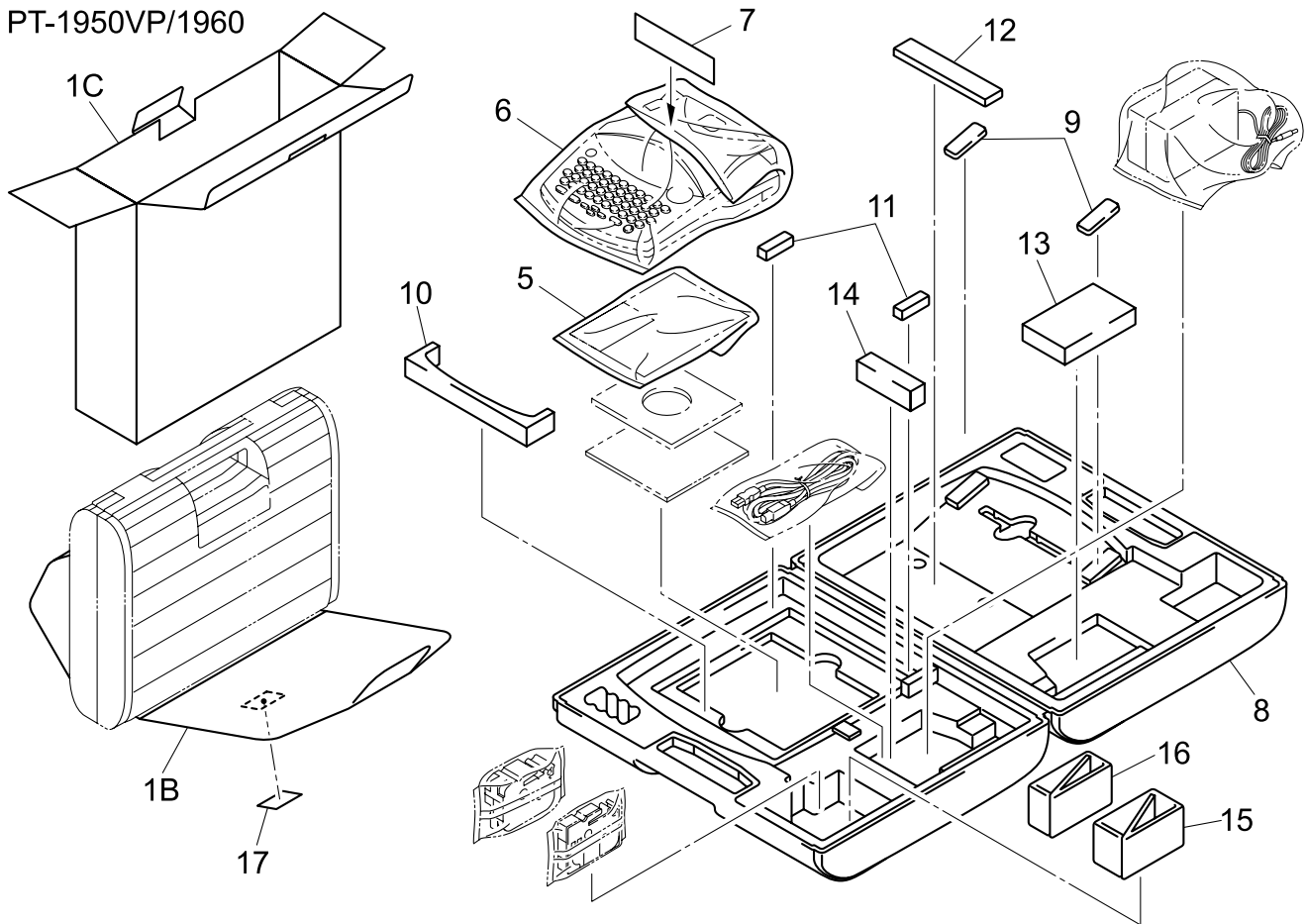
MODEL PT-1950/1960 8V2-327-920

9 . PACKING MATERIALS

PT-1950



PT-1950VP/1960



MODEL PT-1950/1960 8V2-327-930

9 . PACKING MATERIALS

REF.NO.	SYMBOL	CODE	Q'TY	DESCRIPTION	REMARKS
1A		LN5956001	1	CARTON 1950 US (USA) (PT-1950)	
1A		LN6291001	1	CARTON 1950 CAN (CAN)	
1A		LN6294001	1	CARTON 1950 AUS (AUS)	
1B		LN6055001	1	CARTON 1950VP (PT-1950VP)	
1C		LN6171001	1	CARTON PT1960 US (USA) (PT-1960)	
2		LN5957000	1	PAD UPPER 1950 (USA/CAN/AUS) (PT-1950)	
3		LN5958000	1	PAD LOWER 1950 (USA/CAN/AUS) (PT-1950)	
4		LN5959000	1	PAD 1950 (USA/CAN/AUS) (PT-1950)	
5		LA6867001	1	BAG, 215X360H (USER'S MANUAL)	
6		LA0085001	1	BAG, 280X400H (BODY)	
7		LA6629000	1	PLATEN PROTECT PAD 2300	
8		LA6057001	1	CARRYING CASE 2310 (PT1960/1950VP)	
9		LA6708000	2	PAD 2310 (PT1960/1950VP)	
10		LA6824000	1	PAD 1900 (PT1960/1950VP)	
11		LA6825000	2	PAD CC6994 (PT1960/1950VP)	
12		LA6826000	1	PAD 150X30 (PT1960/1950VP)	
13		LN0002000	1	PAD 90X50X15 (PT1960/1950VP)	
14		LN0003000	1	PAD 58X15X20 (PT1960/1950VP)	
15		LA0334001	1	CASSETTE SPACER 2410 (USA) (PT-1960)	
16		LN6056000	1	CASSETTE SPACER 1950 (EUROPE/ZAF)	
17		LF4281001	1	3YR GUARANTEE MYLAR LABEL GER (DEU)	

MODEL PT-1950/1960 8V2-327-930

brother®

June, 2004
8V2057BE0
Printed in Japan