

brother[®]

PARTS REFERENCE LIST

MODEL: PT-2500PC

MECHANISMS & ELECTRONICS

NOTES FOR USING THIS PARTS REFERENCE LIST

1. In the case of ordering parts, it needs mentioning the following items:

- (1) Code
- (2) Q'ty
- (3) Description
- (4) Symbol (PCB No., Revision , and Parts location mounted on the PCB.)

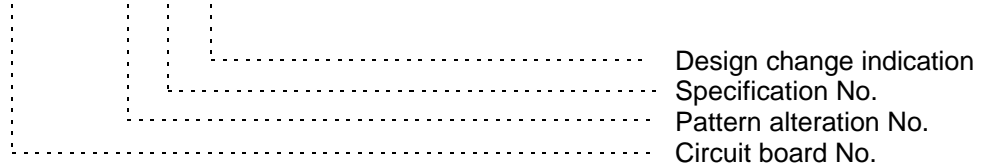
Note : No orders without Parts Code or Tool No. can be accepted.

[Example]

REF. NO.	SYMBOL	CODE	Q'TY	DESCRIPTION	REMARKS
	(4) ⋮	(1) ⋮	(2) ⋮	(3) ⋮	

Revision No. : marked on the printed circuit board.

B48J300 - 1 01 A



2. Design-changed parts:

When the parts are changed, any one of the following symbols is indicated in the REMARKS column.

- CHNG#A : compatible between old and new
- CHNG#B : replaceable from old to new
- CHNG#D : incompatible
- ADD : newly established

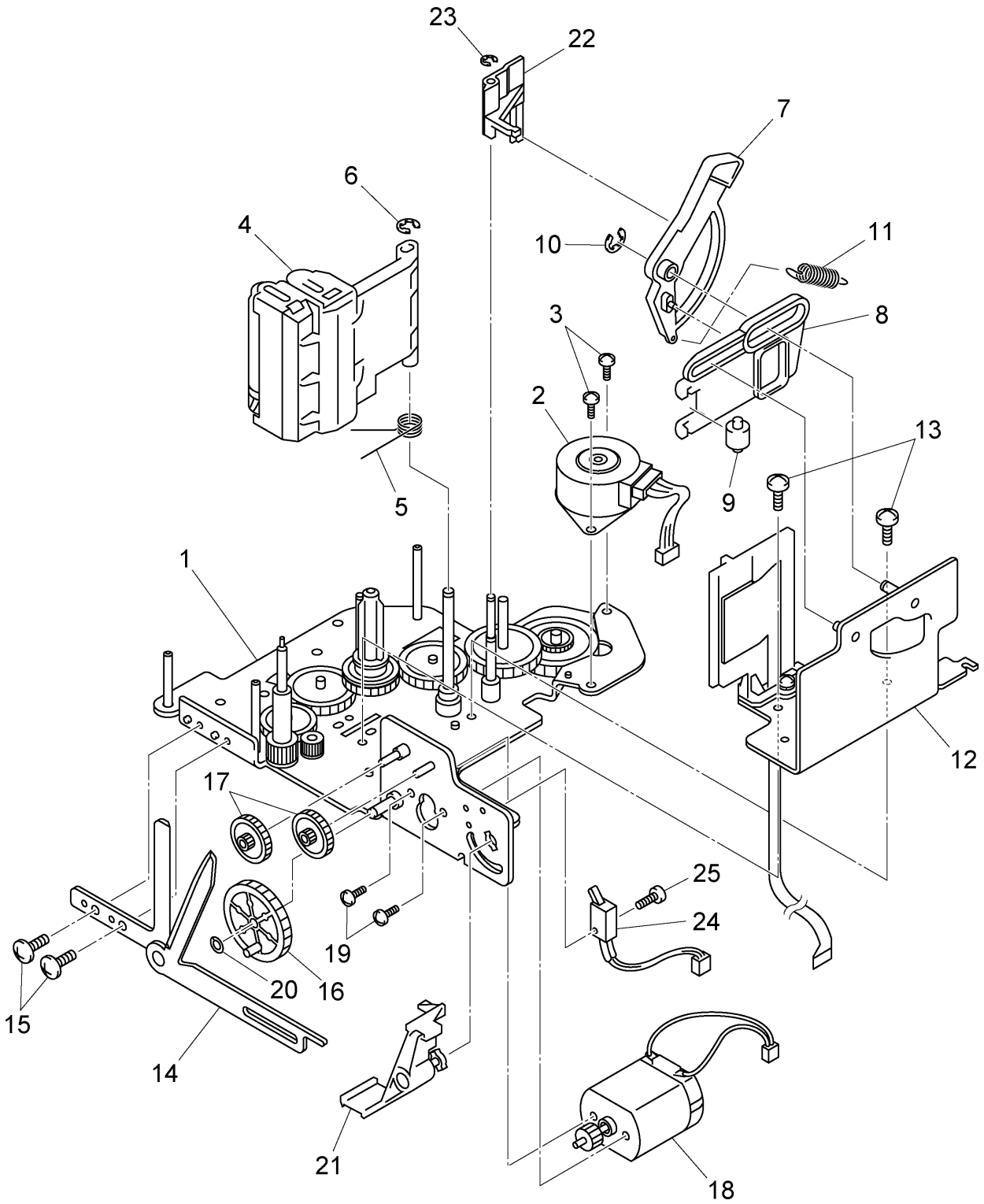
3. The original of this list was made based on the information available in November, 1998.

4. Parts are subject to change in design without prior notice.

CONTENTS

1 . PRINT MECHANISM	1
2 . COVERS	3
3 . MAIN PCB	5
4 . DETECTORS.....	7
5 . POWER SUPPLY PCB.....	7
6 . ATTACHMENTS.....	9
7 . PRINTED MATTERS	9
8 . PACKING MATERIALS.....	11

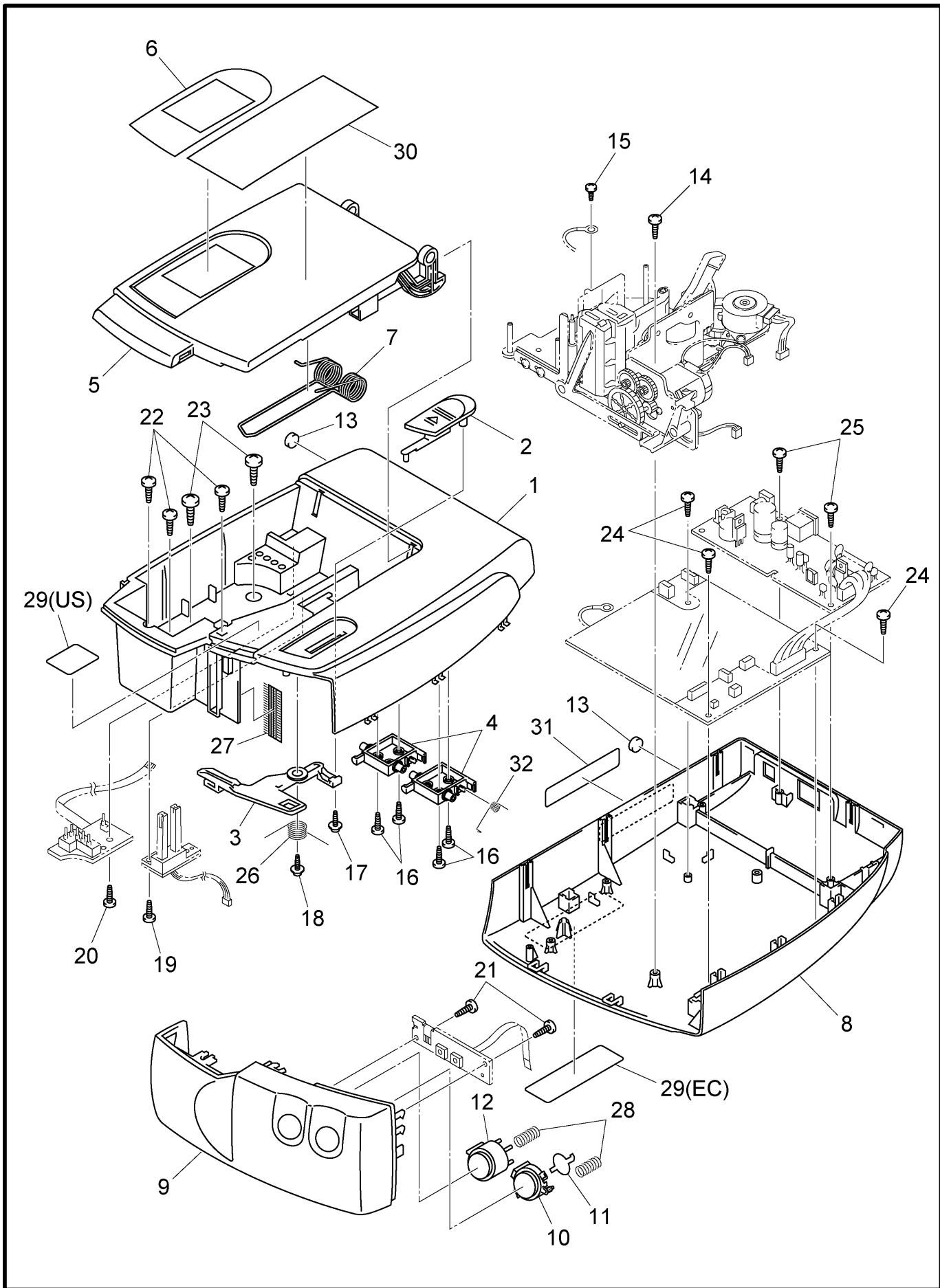
1 . PRINT MECHANISM



1 . PRINT MECHANISM

REF.NO.	CODE	Q'TY	DESCRIPTION	REMARKS
1	UT2409001	1	FRAME TZPC ASSY	
2	Z26490001	1	TAPE FEED MOTOR, BP243016M11-PT	
3	UB3848001	2	SCREW, PAN M2.6X3.5	
4	UT0224001	1	ROLLER HOLDER ASSY	
5	UN0039001	1	ROLLER HOLDER RELEASE SPRING	
6	048025346	1	RETAINING RING, E2.5	
7	UT2412001	1	RELEASE LEVER TZPC	
8	UT0240000	1	RELEASE ROD	
9	UB5507000	1	RELEASE ROD ROLLER	
10	048025346	1	RETAINING RING, E2.5	
11	UT0241001	1	RELEASE LEVER SPRING	
12	UT0328001	1	HEAD 530 UNIT (SP)	
13	060300516	2	SCREW, BIND M3X5	
14	UT0249001	1	CUTTER ASSY	
15	060300516	2	SCREW, BIND M3X5	
16	UT0252001	1	CUTTER MOVING GEAR	
17	UT0254000	2	CUTTER DOUBLE GEAR	
18	UT0401001	1	CUTTER MOTOR ASSY	
19	UB3848001	2	SCREW, PAN M2.6X3.5	
20	UB3733001	1	WASHER 2.6	
21	UT2419001	1	ACTUATOR TZ-PC	
22	UT2420001	1	CASSETTE ROD	
23	048015346	1	RETAINING RING, E1.5	
24	UT1466001	1	FULL CUTTER SENSOR PRO ASSY	
25	UT0855001	1	SCREW, PAN M1.7X6	

2. COVERS



MODEL PT-2500PC 5V2-611-061

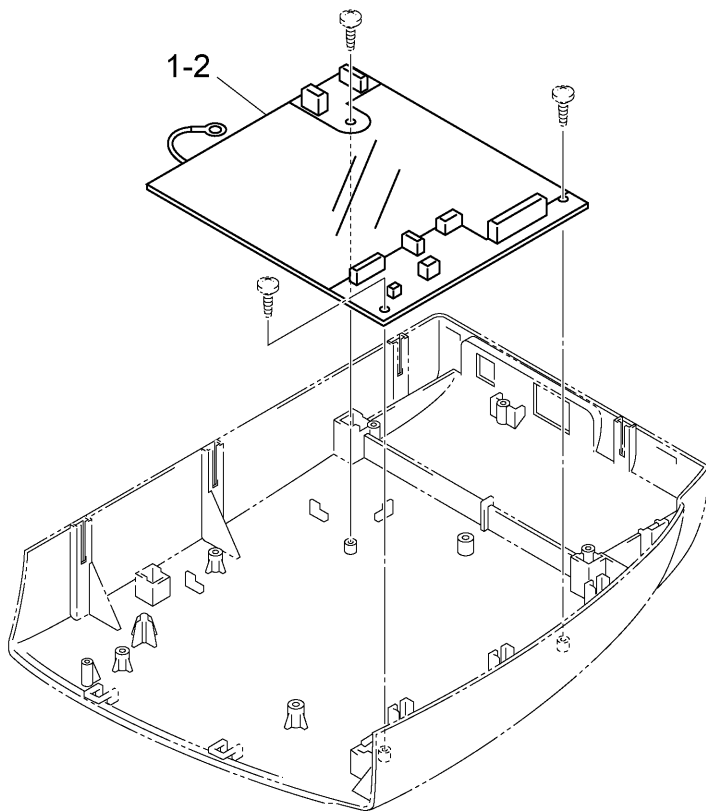
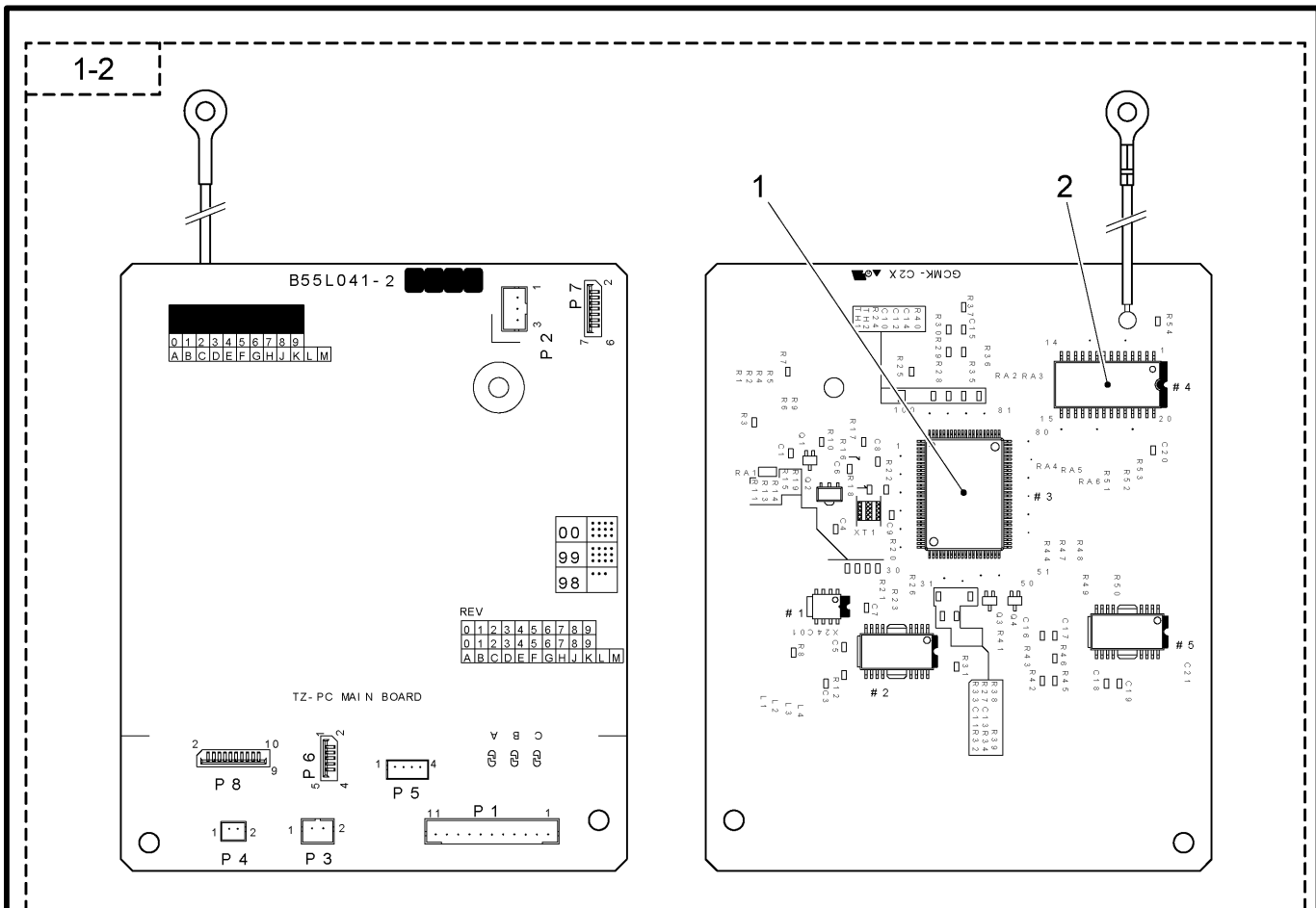
2 . COVERS

PT99019

REF.NO.	CODE	Q'TY	DESCRIPTION	REMARKS
1	UT2421001	1	BODY COVER TZPC, GRAY1395	
2	UT2422001	1	OPEN PUSH BUTTON, GRAY1395	
3	UT2423001	1	COVER LOCK LEVER TZPC	
4	UT2426001	2	CASSETTE COVER BRACKET	
5	UT2427001	1	CASSETTE COVER TZPC, GRAY1395	
6	UT2428001	1	CASSETTE WINDOW TZPC US (USA/CAN)	
6	UT2475001	1	CASSETTE WINDOW TZPC EC (EUROPE)	
7	UT2429001	1	CASSETTE HOLD SPRING	
8	UT2430001	1	BOTTOM COVER TZPC, GRAY1395	
9	UT2431001	1	FRONT COVER TZPC, GRAY1395	
10	UT2432001	1	ON/OFF PUSH BUTTON TZPC	
11	UT2433001	1	REFLECT SHEET TZPC	
12	UT2434001	1	CUT PUSH BUTTON TZPC, BLUE6189	
13	UB4431001	2	LOWER FOOT	
14	U05404003	1	TAPTITE, BIND B M3X8	
15	060300406	1	SCREW, BIND M3X4	
16	085270817	4	TAPTITE, BIND B M2.6X8	
17	U52594001	1	TAPTITE, CUP P M2.6X8	
18	U52594001	1	TAPTITE, CUP P M2.6X8	
19	085270817	1	TAPTITE, BIND B M2.6X8	
20	085270817	1	TAPTITE, BIND B M2.6X8	
21	085270817	2	TAPTITE, BIND B M2.6X8	
22	085270817	3	TAPTITE, BIND B M2.6X8	
23	085311217	2	TAPTITE, BIND B M3X12	
24	085270615	3	TAPTITE, BIND B M2.6X6	
25	085270615	2	TAPTITE, BIND B M2.6X6	
26	UT2457001	1	LOCK LEVER RETURN SPRING	
27	UT2458001	1	ANTI-STATIC BRUSH	
28	UT2463001	2	KEY RETURN SPRING	
29	UT2461001	1	CAUTION LABEL TZPC US (USA)	
29	UT0578001	1	TAPE CAUTION LABEL PP EC (EUROPE/CAN)	
30	UT2425001	1	MYLAR LABEL TZPC US (USA)	
31	UT0555001	1	FCC LABEL (USA/CAN)	
32	UT2485001	1	COVER OPEN SPRING	

MODEL PT-2500PC 5V2-611-061

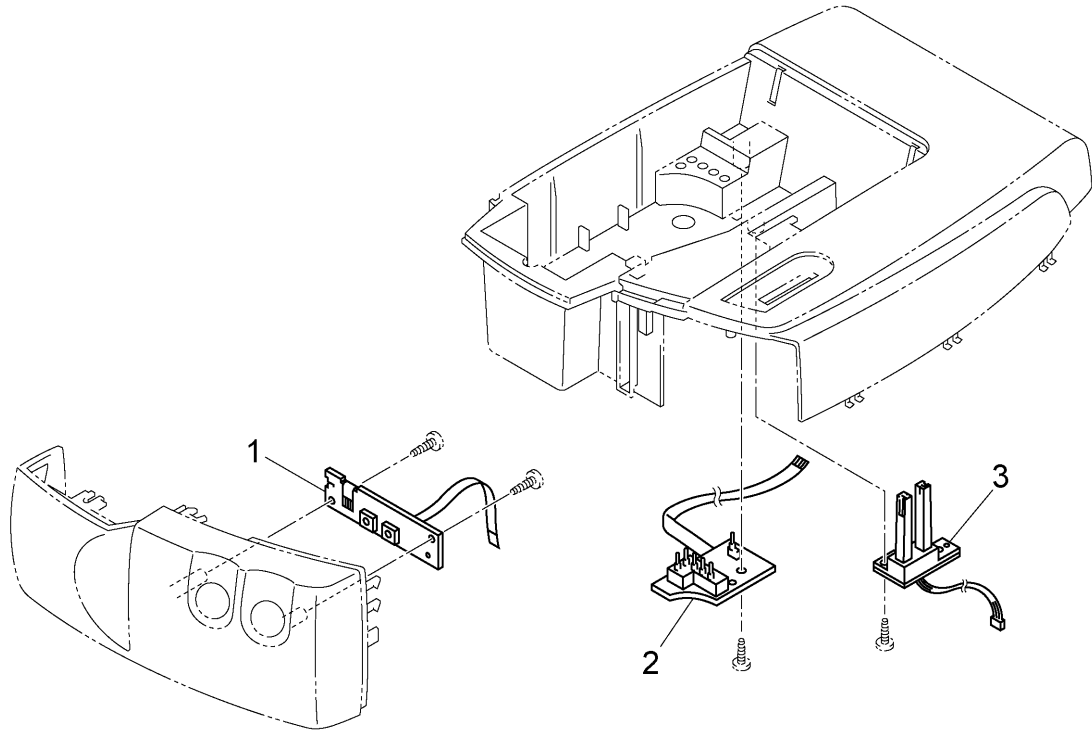
3. MAIN PCB



3 . MAIN PCB

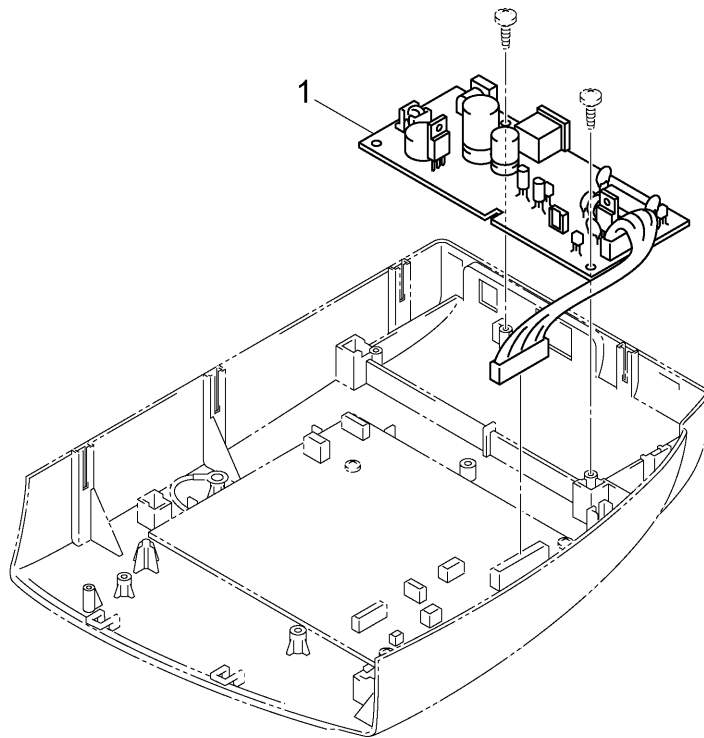
REF.NO.	SYMBOL	CODE	Q'TY	DESCRIPTION	REMARKS
1-2	B55L041-2	UT2482001	1	MAIN PCB TZPC ASSY (SP)	
1	#3	UT2437001	1	MCUM:M30622M8-194	
2	#4	UT2438001	1	SRAM:2B256SLMX55	

4 . DETECTORS



MODEL PT-2500PC 5V2-611-100

5 . POWER SUPPLY PCB



MODEL PT-2500PC 5V2-611-102

4 . DETECTORS

PT99024

REF.NO.	SYMBOL	CODE	Q'TY	DESCRIPTION	REMARKS
1	B55L025-1	UT2498001	1	SUB PCB ASSY TZPC (SP)	CHNG#A
2	B55L026-1	UT0546001	1	SENSOR PCB ASSY PROPC (SP)	
3	B55L028-1	UT0842001	1	TAPE END SENSOR ASSY (SP)	

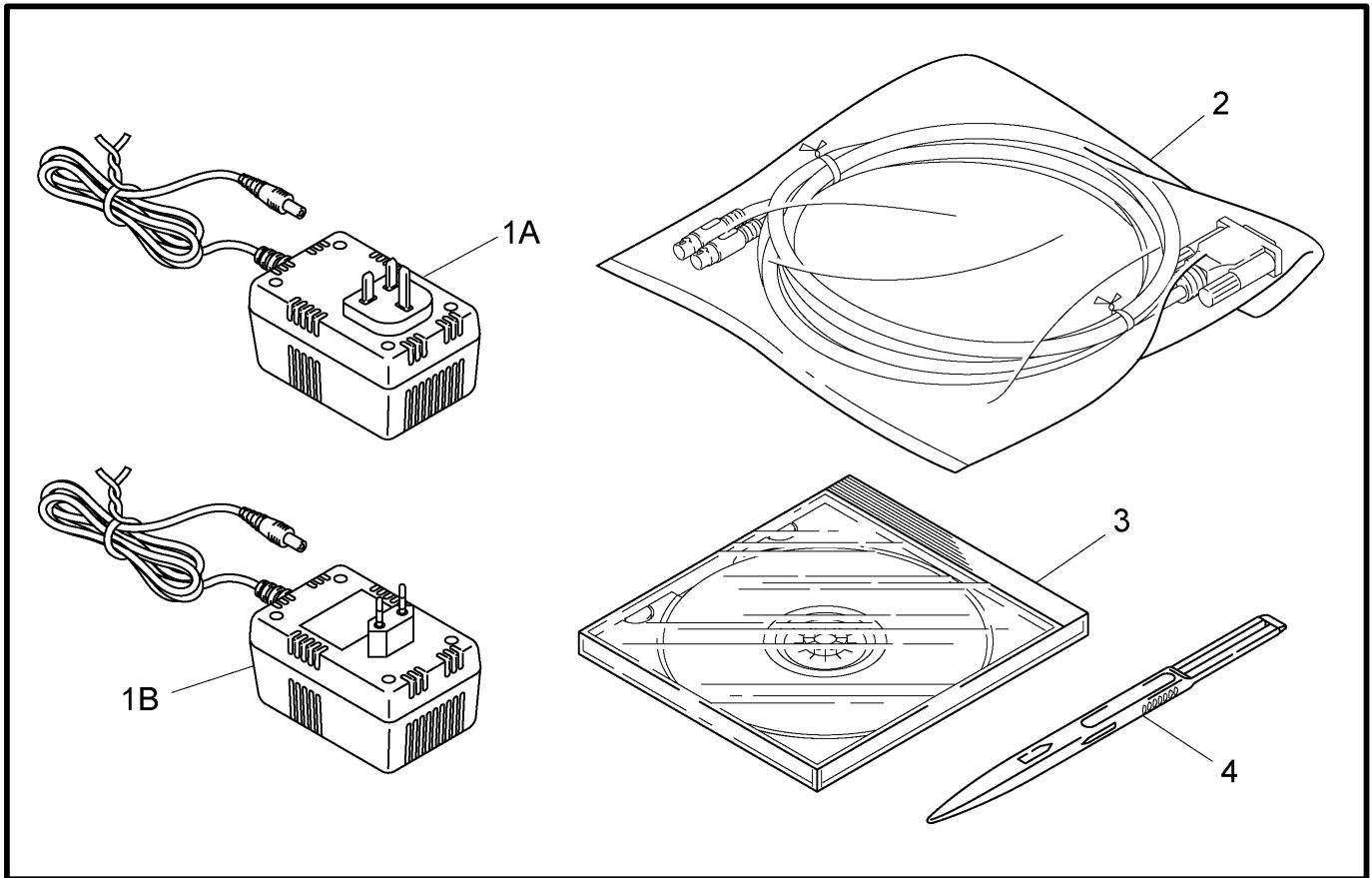
MODEL PT-2500PC 5V2-611-100

5 . POWER SUPPLY PCB

REF.NO.	SYMBOL	CODE	Q'TY	DESCRIPTION	REMARKS
1	B55L042-2	UT2483001	1	POWER SUPPLY PCB TZPC ASSY (SP)	

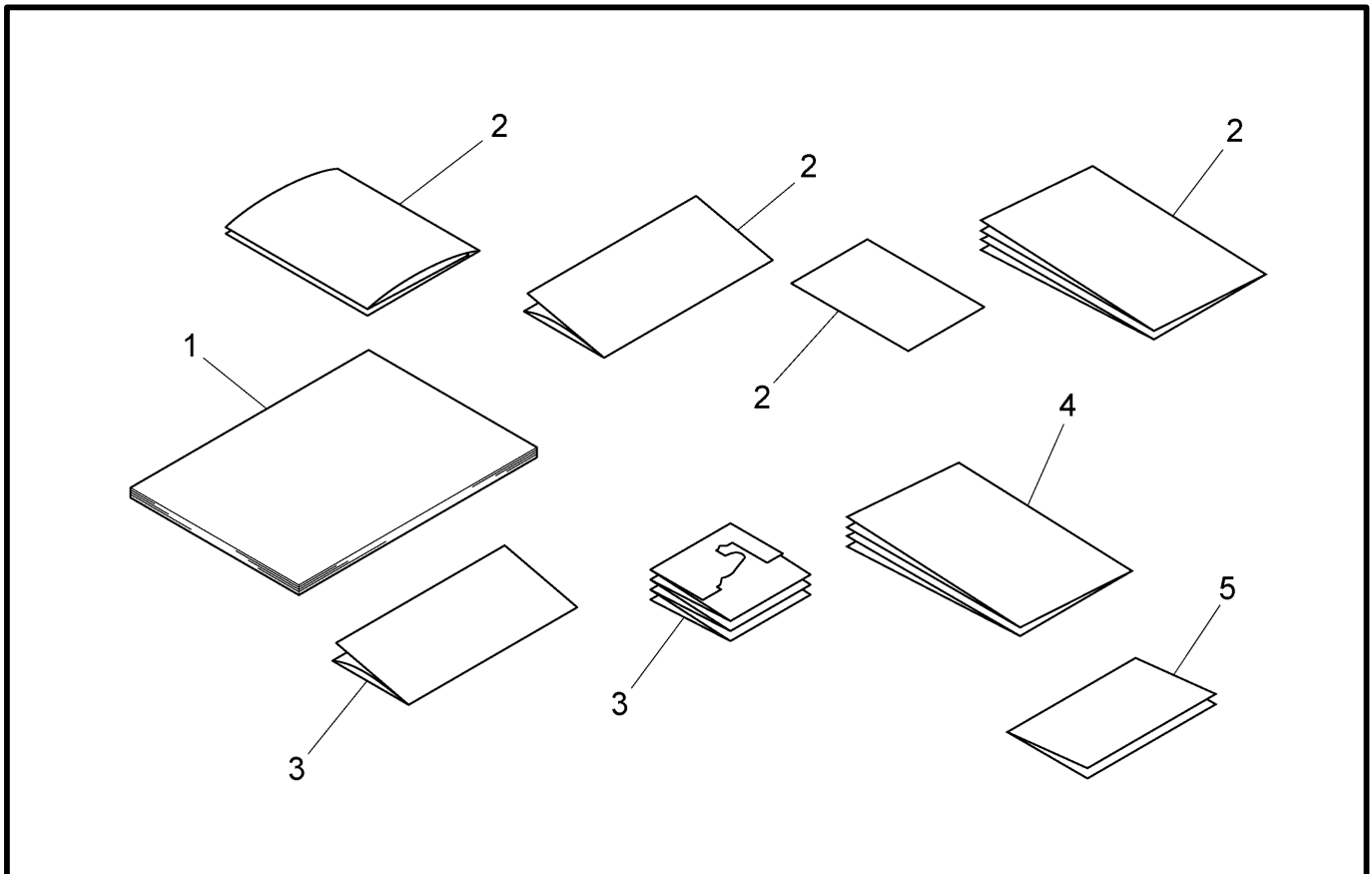
MODEL PT-2500PC 5V2-611-102

6. ATTACHMENTS



MODEL PT-2500PC 5V2-611-910

7. PRINTED MATTERS



MODEL PT-2500PC 5V2-611-920

6 . ATTACHMENTS

REF.NO.	SYMBOL	CODE	Q'TY	DESCRIPTION	REMARKS
1A		UT2489001	1	ADAPTER MDL-H UK (GBR)	
1B		UT2490001	1	ADAPTER MDL-H EC (FRA/FIN)	
2		UN7385001	1	I/F CABLE WIN/MAC, SERIAL I/F	
3		UT2444001	1	CD-ROM TZPC ASSY, US (USA)	
3		UT2452001	1	CD-ROM TZPC ASSY, EC (EUROPE)	
3		UT2493001	1	CD-ROM TZPC ASSY, CA (CAN)	
4		UN0733022	1	LETTERING STICK TZ, GRAY1252	

MODEL PT-2500PC 5V2-611-910

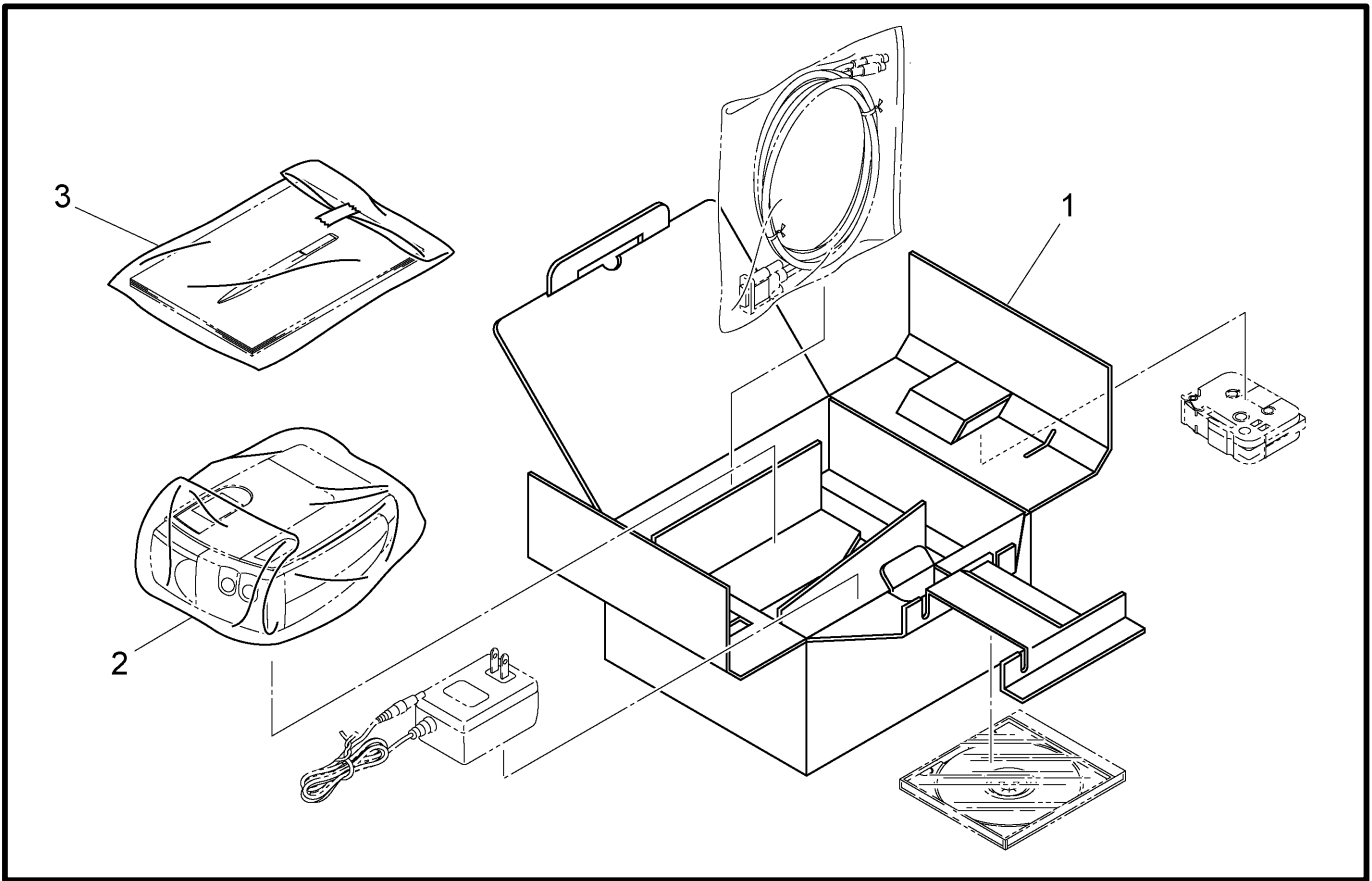
7 . PRINTED MATTERS

PT99030

REF.NO.	SYMBOL	CODE	Q'TY	DESCRIPTION	REMARKS
1		UT2446001	1	USER'S MANUAL TZPC, US (USA)	
1		UT2453001	1	USER'S MANUAL TZPC, EC (EUROPE)	
1		UT2492001	1	USER'S MANUAL TZPC, CA (CAN)	
2		UB7732001	1	WARRANTY CARD TZPC, US (USA)	
2		UH3662001	1	WARRANTY CARD UK-A (GBR)	
2		UH3663001	1	WARRANTY CARD UK-B (GBR)	
2		UH3851001	1	WARRANTY CARD (EUROPE)	
2		UN8607001	1	WARRANTY CARD, CAN.E/F (CAN)	
2		UB3650001	1	WARRANTY CARD, FRENCH	
3	B	UN4602001	1	TAPE CATALOG US 24 (USA)	CHNG#A
3		UN4239001	1	TAPE CATALOG UK (EUROPE)	
3		UN4604001	1	TAPE CATALOG CA 24 (CAN)	
4		UB4382001	1	SERVICE CENTER LIST US (USA)	
5		UB2934001	1	QUESTIONNAIRE CARD, UK (GBR)	

MODEL PT-2500PC 5V2-611-920

8 . PACKING MATERIALS



MODEL PT-2500PC 5V2-611-930

8 . PACKING MATERIALS

REF.NO.	CODE	Q'TY	DESCRIPTION	REMARKS
1	UT2449001	1	CARTON TZPC US (USA)	
1	UT2466001	1	CARTON TZPC EC (EUROPE)	
1	UT2494001	1	CARTON TZPC CA (CAN)	
2	UT0985001	1	BAG, 250X600H (BODY)	
3	UN5224001	1	BAG, 215X360H (USER'S MANUAL)	

MODEL PT-2500PC 5V2-611-930

brother®

Nov., '98
5V2085BE0
Printed in Japan