



P-touch

PARTS REFERENCE LIST

MODEL: PT-2600/2610

MECHANISMS & ELECTRONICS

NOTES FOR USING THIS PARTS REFERENCE LIST

1. When ordering parts, inform us of the following items:

- (1) Code
- (2) Q'ty
- (3) Description
- (4) Symbol (PCB No., Revision, and Parts location mounted on the PCB.)

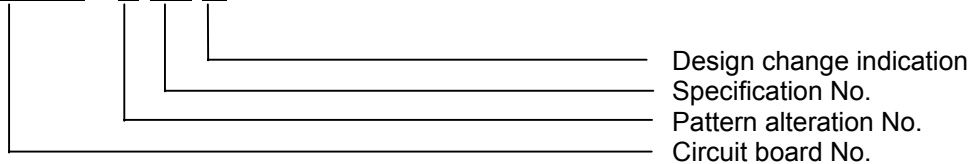
Note : Orders without Parts Code or Tool No. cannot be accepted.

[Example]

REF. NO.	SYMBOL	CODE	Q'TY	DESCRIPTION	REMARKS
					R

Revision No. : marked on the printed circuit board.

B55L108 - 1 01 A



2. Design-changed parts:

When the parts are design-changed, any one of the following symbols is indicated in the REMARKS column.

- CHNG#A: compatible between old and new
- CHNG#B: replaceable from old to new
- CHNG#D: incompatible
- ADD : newly added

3. Parts marked with an "R" in the REMARKS column are recommended spare parts.

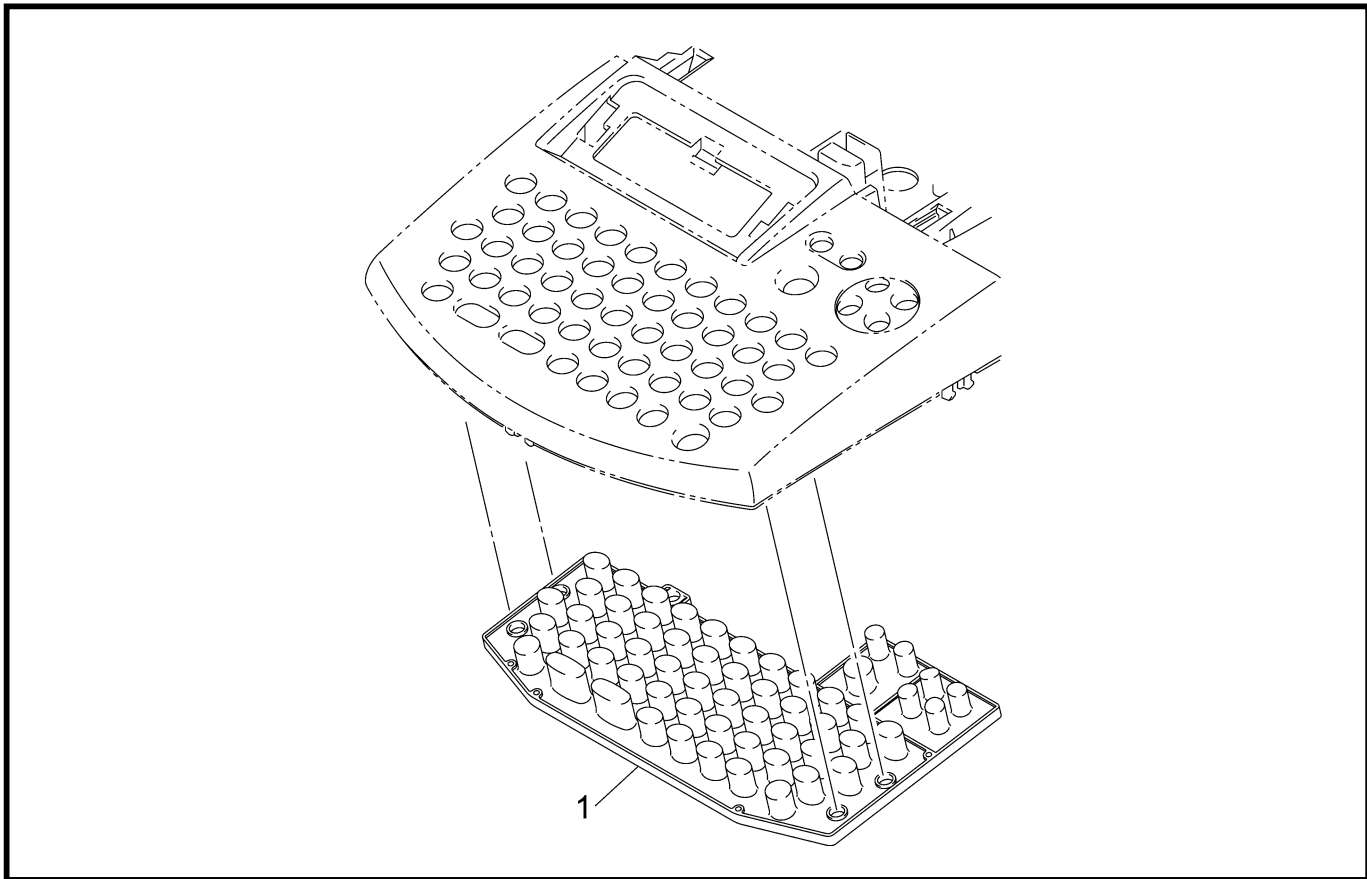
4. The original of this list was made based on the information as of August, 2002.

5. Parts are subject to change in design without prior notice.

CONTENTS

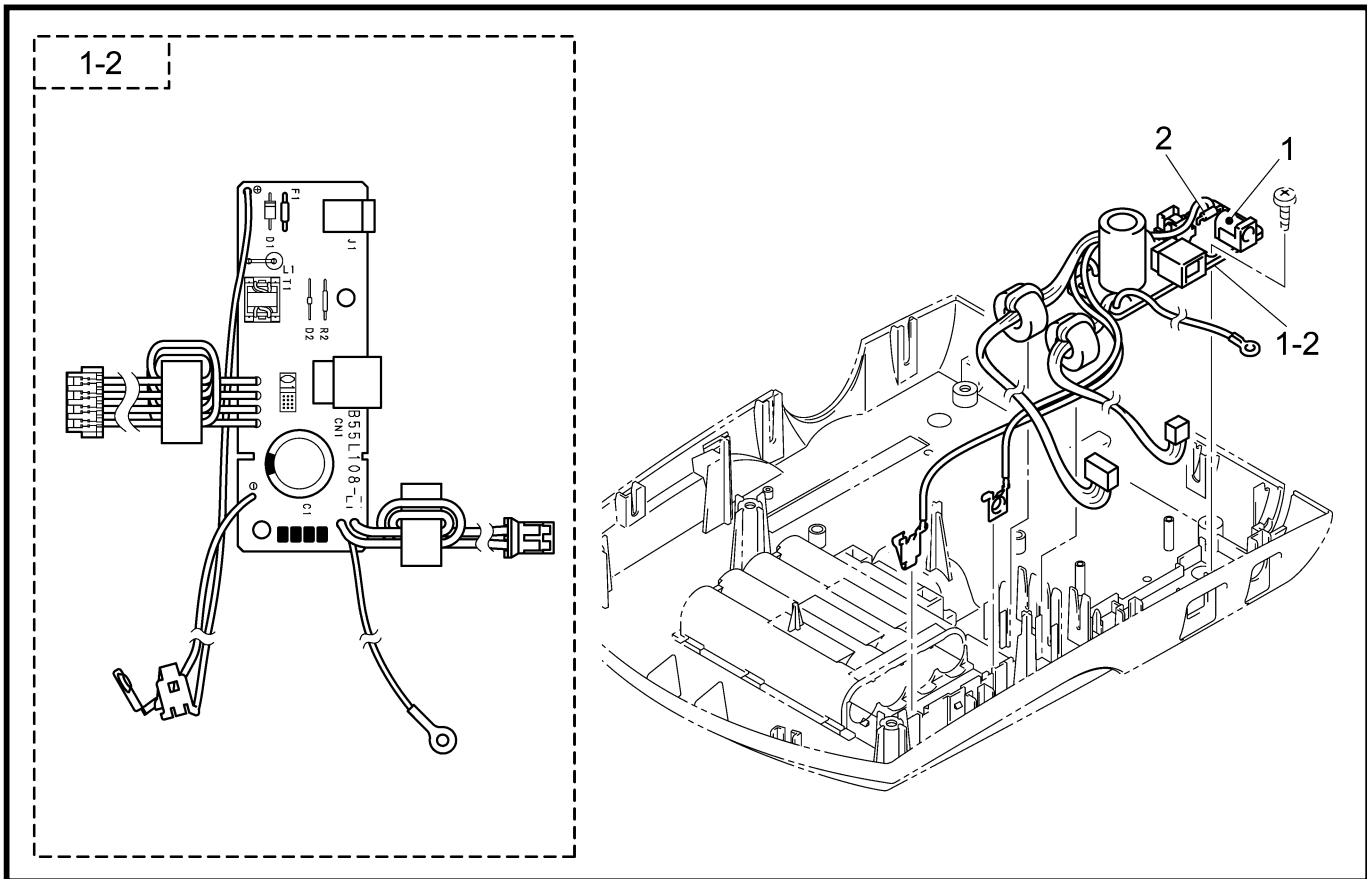
1 . RUBBER KEY	1
2 . POWER SUPPLY PCB.....	1
3 . PRINT MECHANISM	3
4 . COVERS	5
5 . MAIN PCB.....	7
6 . SENSORS.....	9
7 . PRINTED MATTER	9
8 . ATTACHMENTS	11
9 . PACKING MATERIALS.....	11

1 . RUBBER KEY



MODEL PT-2600/2610 8V2-371-003

2 . POWER SUPPLY PCB



MODEL PT-2600/2610 8V2-371-102

1 . RUBBER KEY

REF.NO.	CODE	Q'TY	DESCRIPTION	REMARKS
1	LA8024001	1	RUBBER 57 KEY 2600 US, GRAY1395	

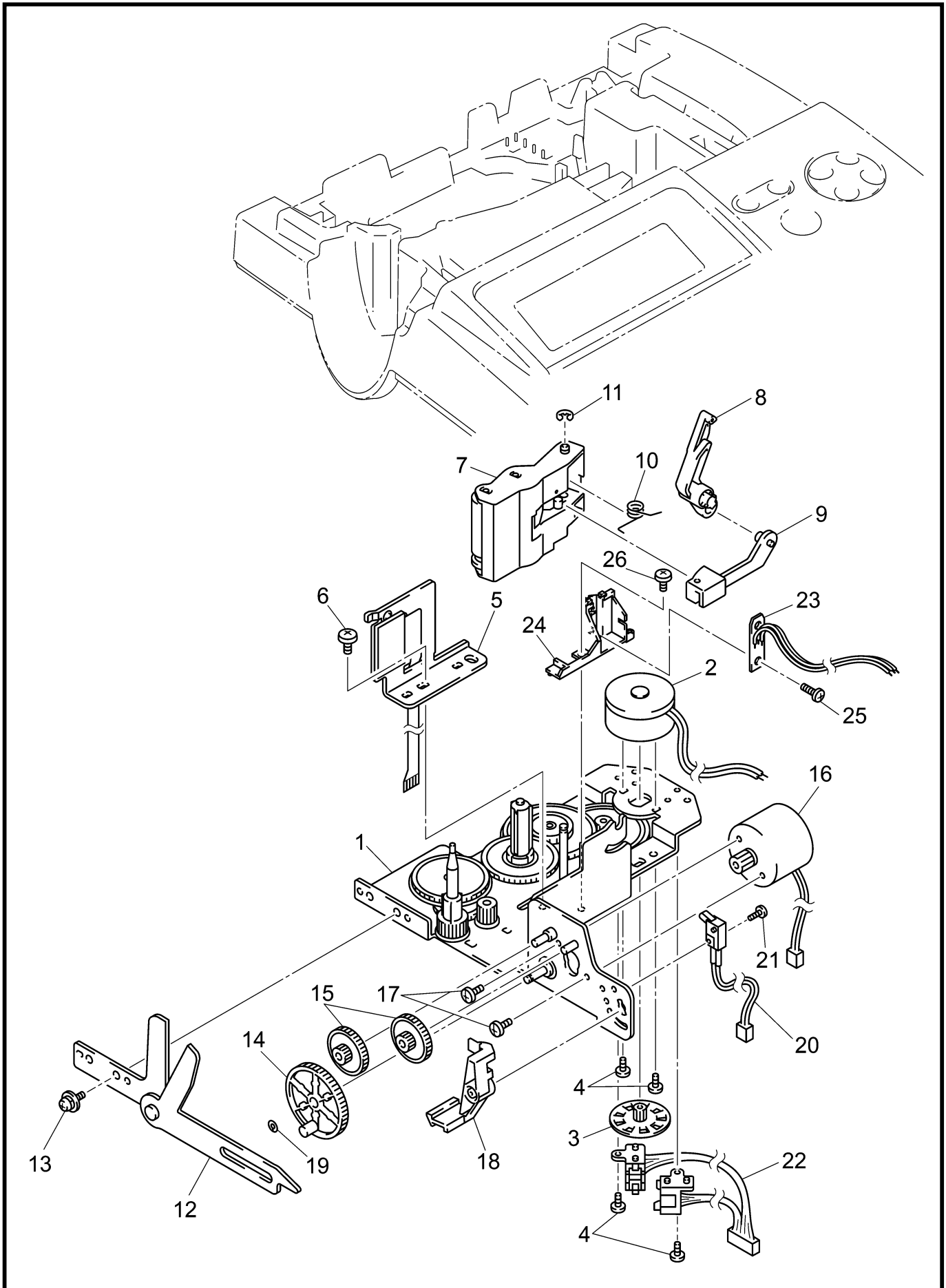
MODEL PT-2600/2610 8V2-371-003

2 . POWER SUPPLY PCB

REF.NO.	SYMBOL	CODE	Q'TY	DESCRIPTION	REMARKS
1-2	B55L108-2C	LA5716001	1	POWER SUPPLY PCB ASSY 2300	R
1		W00325001	1	JACK, HEC0470	
2		UN0999000	1	FUSE, 125V4A	

MODEL PT-2600/2610 8V2-371-102

3. PRINT MECHANISM

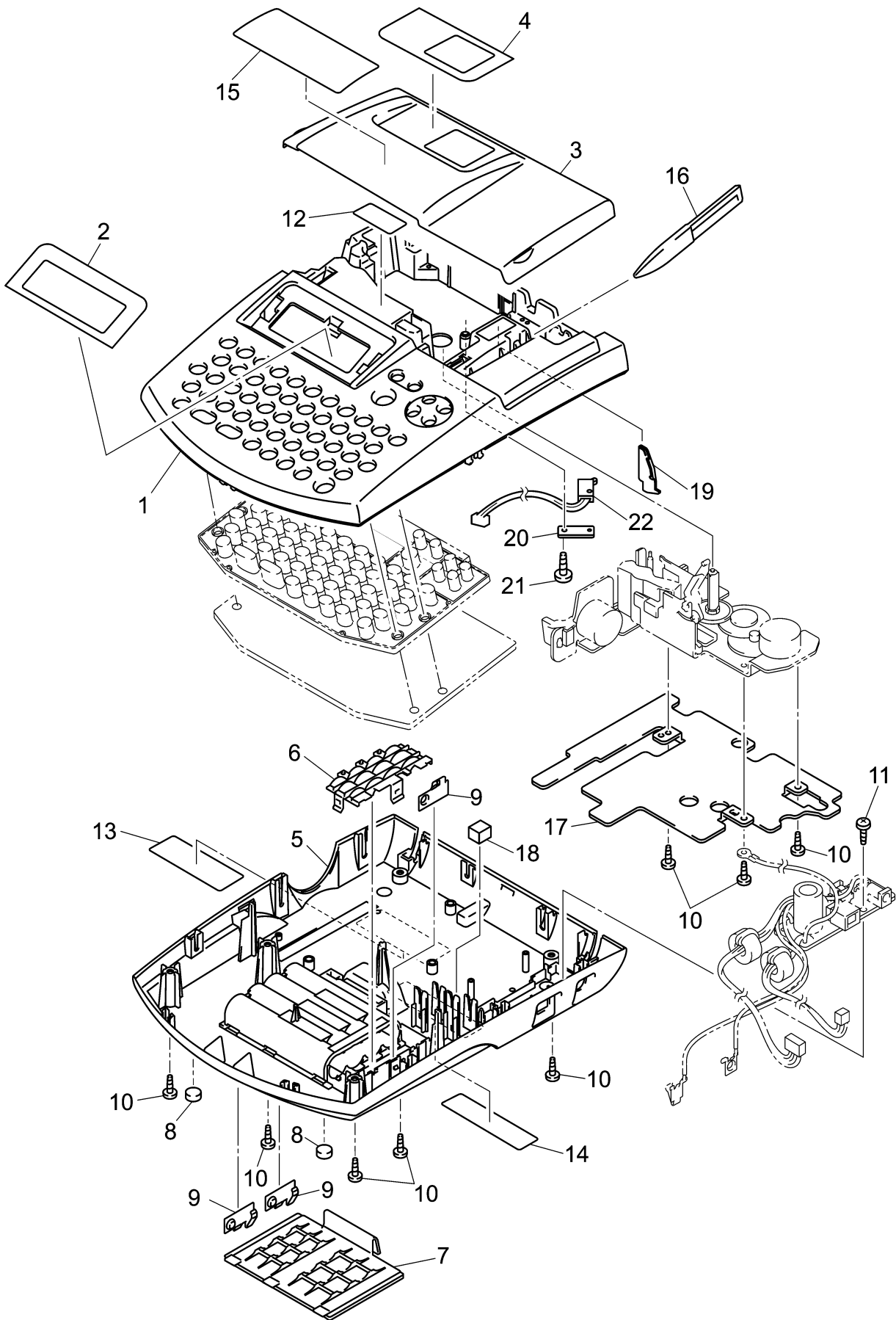


MODEL PT-2600/2610 8V2-371-045

3 . PRINT MECHANISM

REF.NO.	CODE	Q'TY	DESCRIPTION	REMARKS
1	LA5680001	1	CHASSIS ASSY 2300	
2	LA5686001	1	DC MOTOR ASSY 2300F	R
3	LA5687001	1	ENCODE GEAR 2300	
4	UN3640001	4	SCREW, PAN 1.7X2.5	
5	LA5688001	1	HEAD ASSY KV1801-26B	R
6	060300415	1	SCREW, BIND M3X4	
7	LA4711001	1	ROLLER HOLDER ASSY 240	R
8	LA4886001	1	ROLLER RELEASE LEVER 1750	
9	LA4887001	1	ROLLER HOLDER RELEASE ROD	
10	LA4888001	1	ROLLER HOLDER RELEASE SPRING	
11	048020346	1	RETAINING RING, E2	
12	LA6151001	1	CUTTER ASSY (SP)	R
13	0A4300605	1	SCREW, PAN (S/P WASHER) M3X6	
14	UT0252001	1	CUTTER MOVING GEAR	
15	UT0254000	2	CUTTER DOUBLE GEAR	
16	LA5692001	1	CUTTER MOTER ASSY F	
17	062020305	2	SCREW, PAN M2X3	
18	LA0305001	1	ACTUATOR 2400	
19	UB3733001	1	WASHER 2.6	
20	UT1466001	1	FULL CUTTER SENSOR PRO ASSY	R
21	UT0855001	1	SCREW, PAN M1.7X6	
22	LA5751001	1	PHOTO INTERRUPTER ASSY 2300	R
23	LA8025001	1	AV SENSOR PCB ASSY	R
24	LA8029001	1	SENSOR BASE	
25	085210415	1	TAPTITE, BIND B M2X4	
26	060260516	1	SCREW, BIND M2.6X5	

4. COVERS



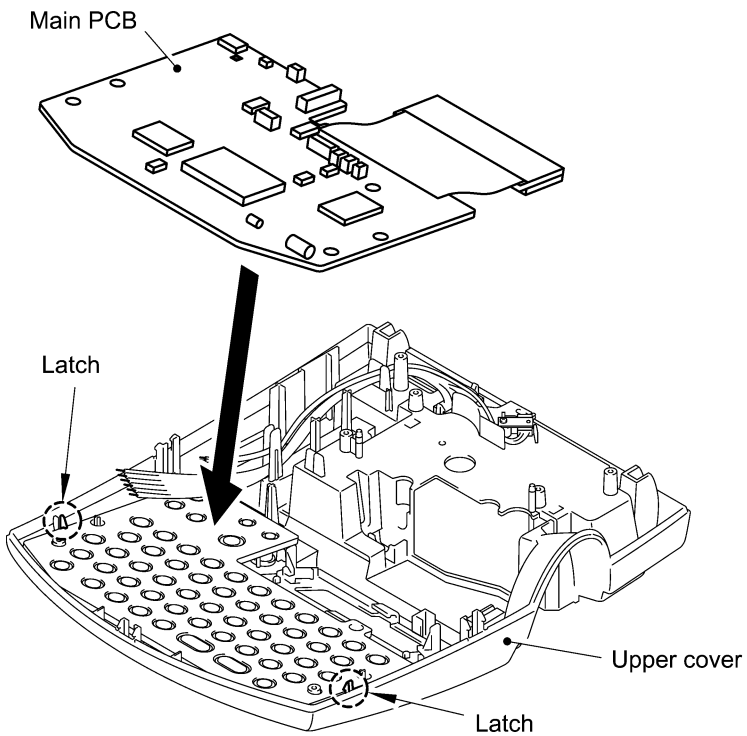
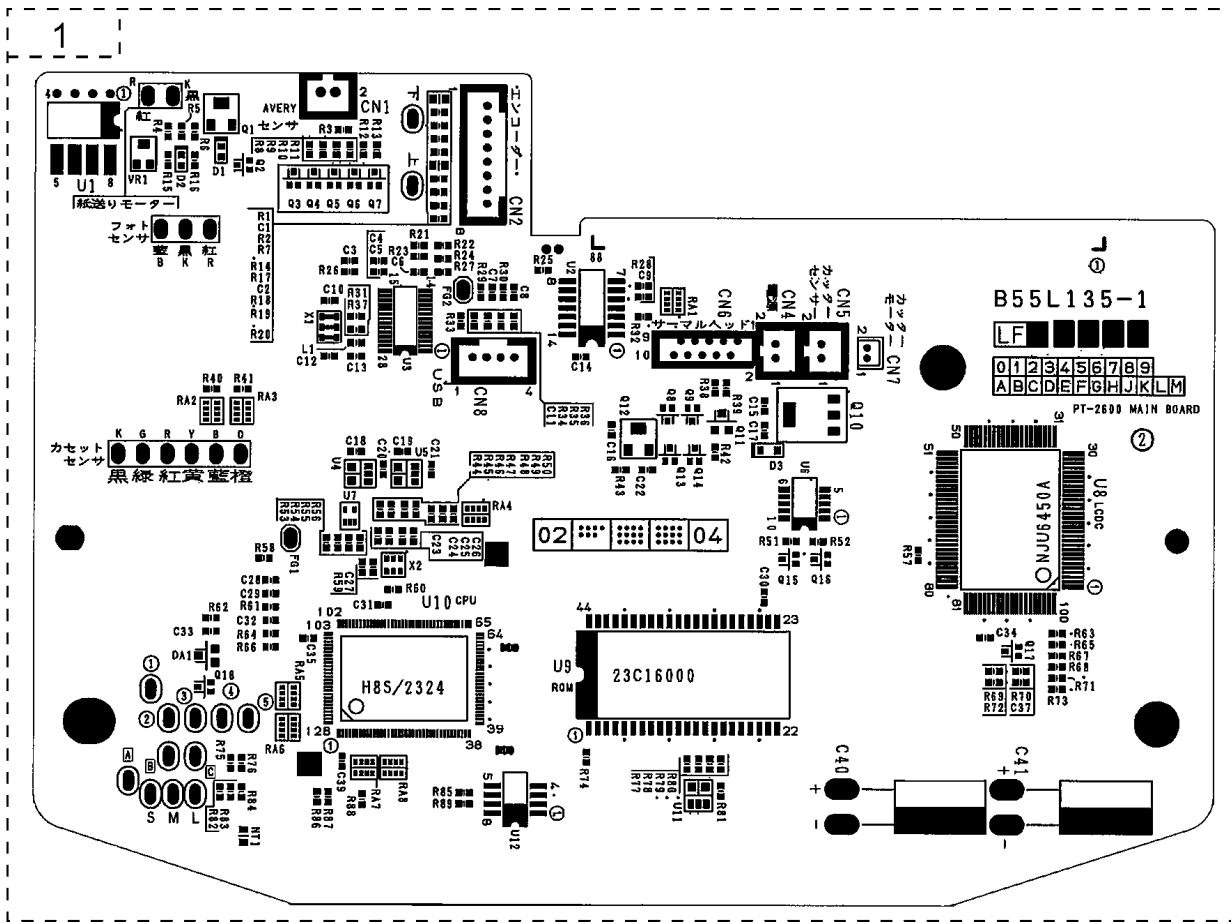
MODEL PT-2600/2610 8V2-371-061

4 . COVERS

REF.NO.	CODE	Q'TY	DESCRIPTION	REMARKS
1	LA8030001	1	UPPER COVER 2600 US	R
2	LA8031001	1	LCD PANEL 2600 US	R
3	LA8032001	1	CASSETTE COVER 2600 US	R
4	LA8033001	1	TAPE PANEL 2600 US	R
5	LA8056001	1	BOTTOM COVER 2600	R
6	LA1136002	1	BLIND COVER 2200	R
7	LA1053001	1	BATTERY LID 2400	R
8	LA5753001	2	LOWER FOOT 2300	
9	UB3719000	3	BATTERY TERMINAL	
10	085270817	8	TAPTITE, BIND B M2.6X8	
11	085270615	1	TAPTITE, BIND B M2.6X6	
12	LA5701001	1	LEVER CAUTION LABEL 2300	
13	LA5702001	1	CAUTION LABEL 2300 US	
14	LA5703001	1	FCC LABEL 2300	
15	LA7909001	1	MYLAR LABEL 2600 US (PT-2600)	
15	LA8146001	1	MYLAR LABEL 2610 US (PT-2610)	
16	LA4896001	1	PEELER-STICK	
17	LA6503000	1	SHIELD PLATE 2450	
18	LA6633000	1	PAD 2300	
19	LA8034001	1	AV ACTUATOR 2600	
20	LA8035001	1	SW HOLD PLATE	
21	085270515	1	TAPTITE, BIND B M2.6X5	
22	LA8036001	1	AV SWITCH SENSOR ASSY	R

MODEL PT-2600/2610 8V2-371-061

5. MAIN PCB



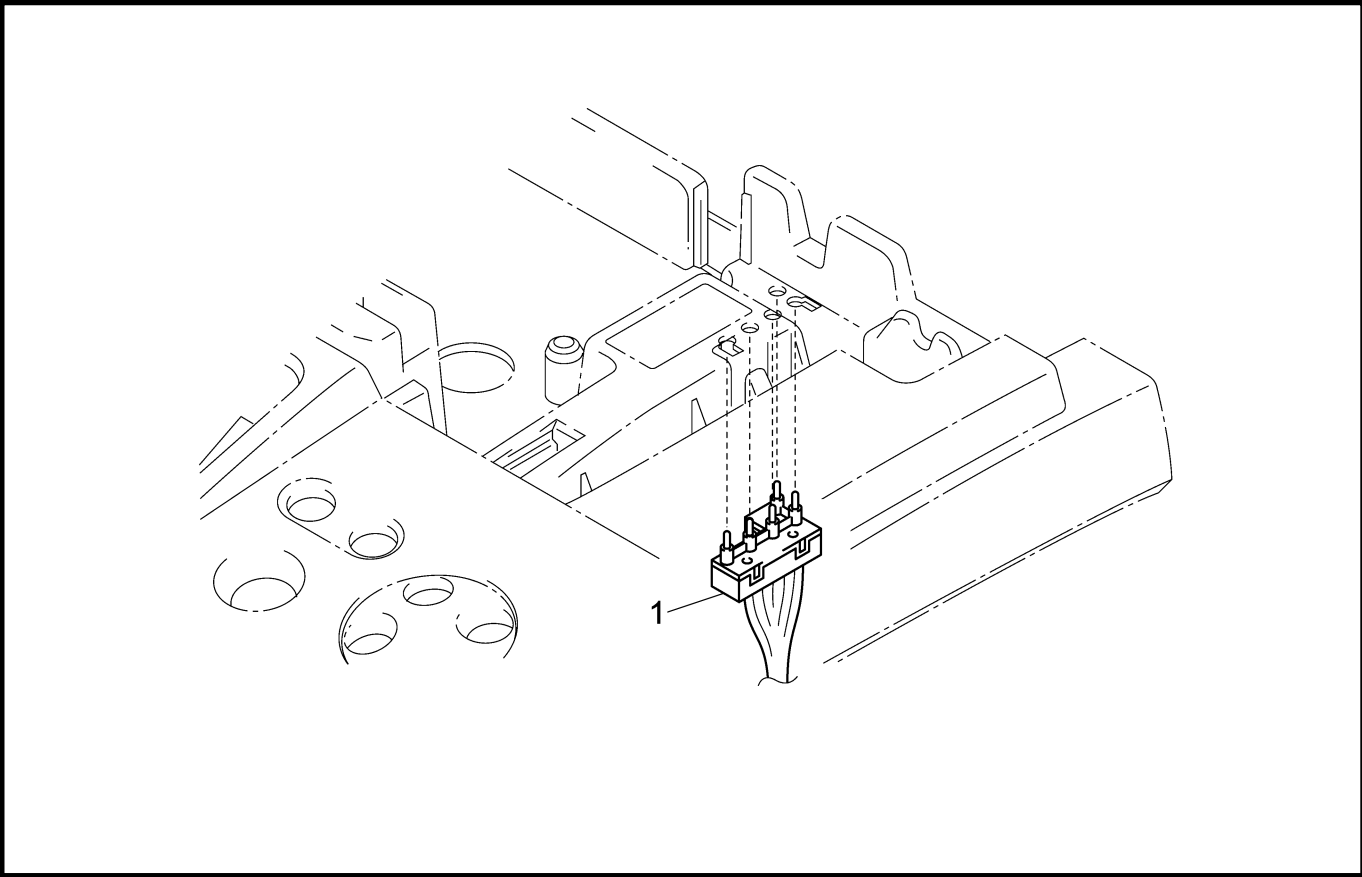
NOTE: If the main PCB is replaced with a new one, be sure to enter the inspection mode and write the serial number of the machine into the EEPROM of the new main PCB. The written number will be used as an ID code. For the writing procedure, refer to the Service Manual, Chapter III, "[11] Inspection Mode,

5 . MAIN PCB

REF.NO.	SYMBOL	CODE	Q'TY	DESCRIPTION	REMARKS
1	B55L135-101A	LA8037001	1	MAIN PCB ASSY 2600	R

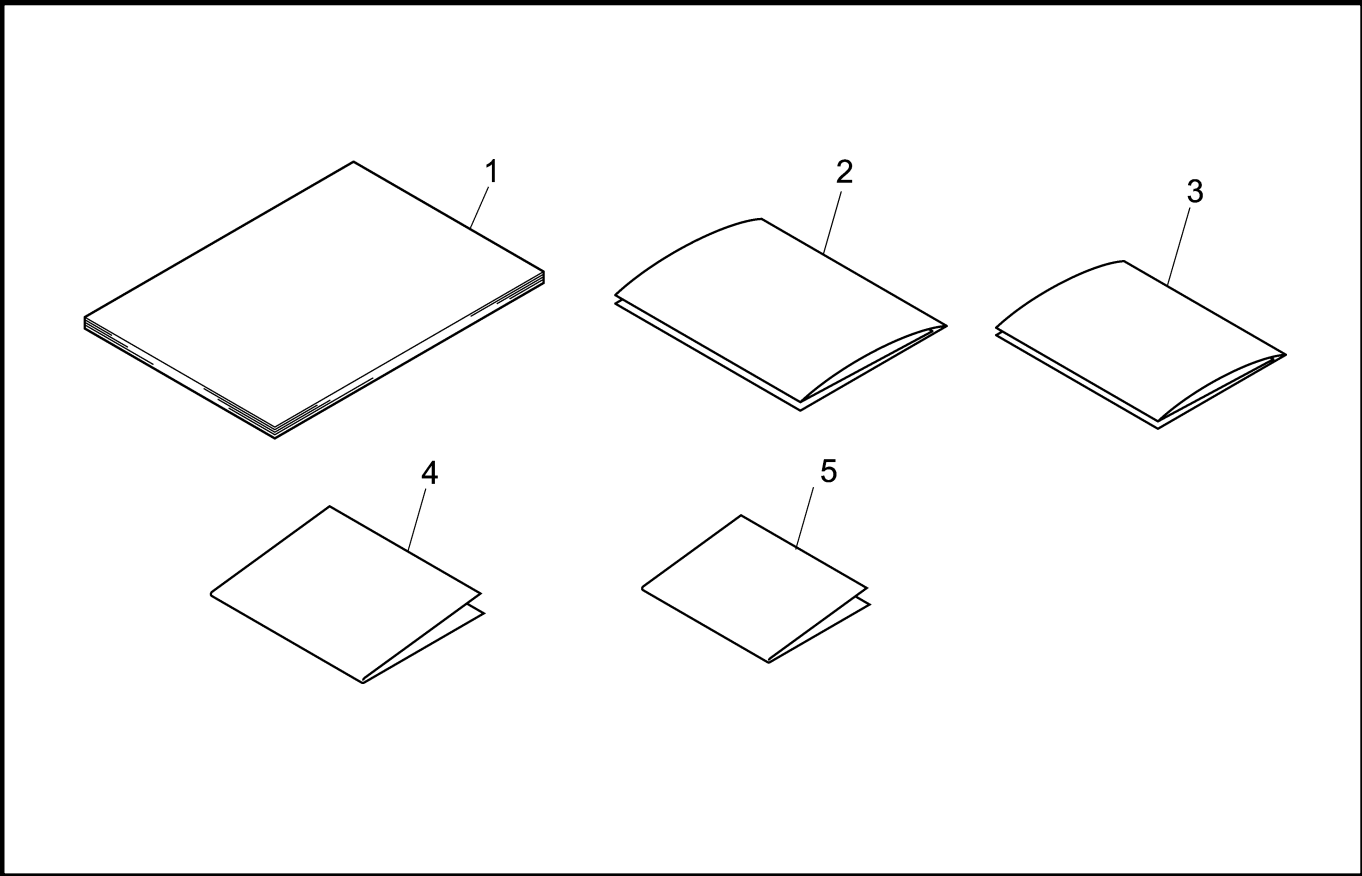
MODEL PT-2600/2610 8V2-371-101

6 . SENSORS



MODEL PT-2600/2610 8V2-371-100

7 . PRINTED MATTER



MODEL PT-2600/2610 8V2-371-920

6 . SENSORS

REF.NO.	SYMBOL	CODE	Q'TY	DESCRIPTION	REMARKS
1	A	LA5704001	1	SWITCH ASSY 2300	R

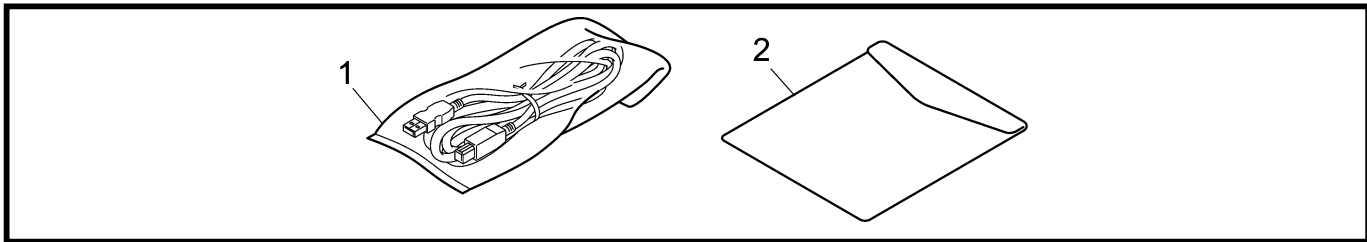
MODEL PT-2600/2610 8V2-371-100

7 . PRINTED MATTER

REF.NO.	SYMBOL	CODE	Q'TY	DESCRIPTION	REMARKS
1		LA8144001	1	USER'S MANUAL 2600, US	R
2		LA8559001	1	AVERY REGISTRATION CARD	
3		LA0322001	1	TAPE CATALOG US 24	
4		LA7910001	1	APPLICATION CARD, 2600US (PT-2600)	
5		LA8163001	1	UNPACKING INSTRUCTION 2600	

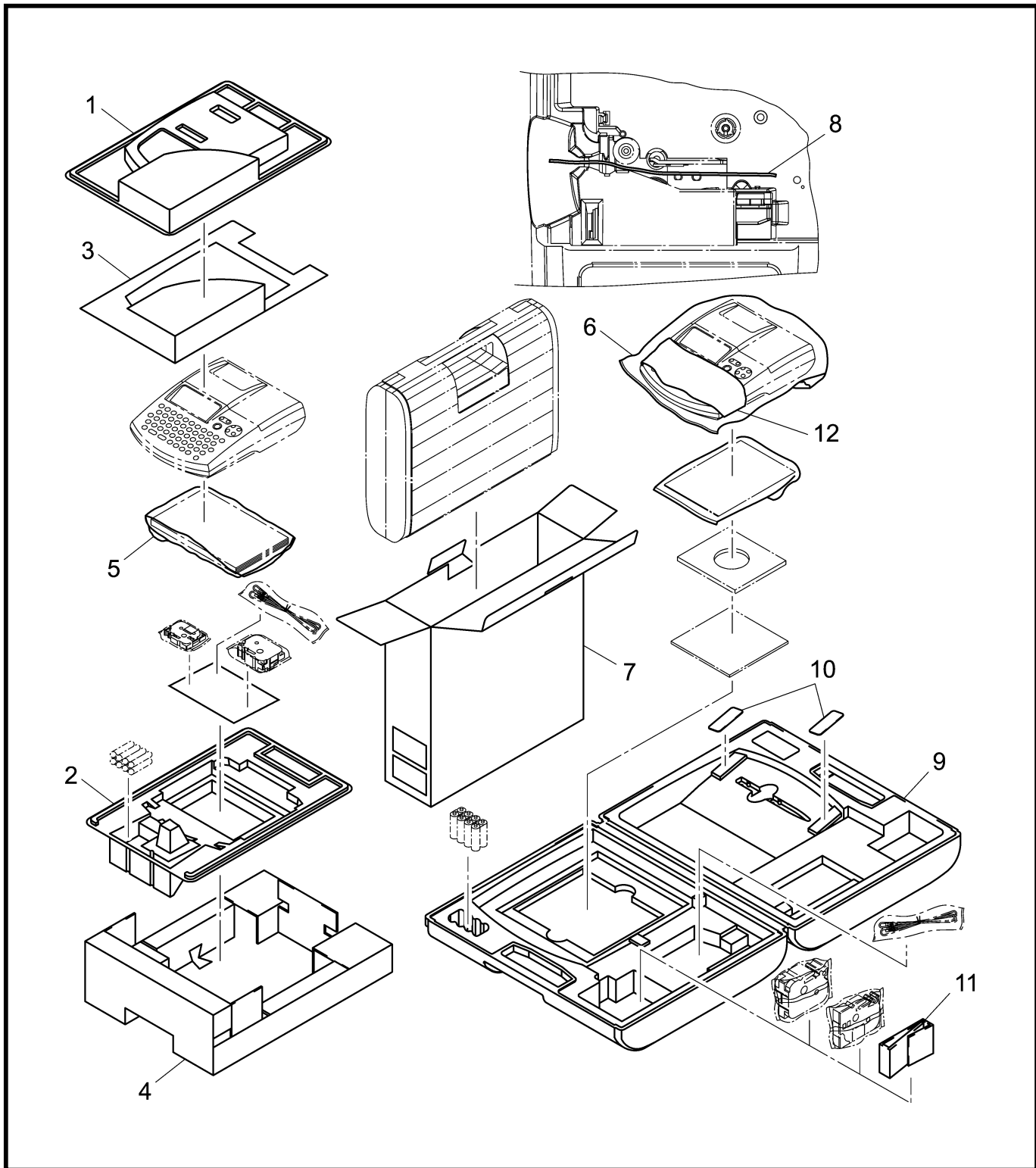
MODEL PT-2600/2610 8V2-371-920

8 . ATTACHMENTS



MODEL PT-2600/2610 8V2-371-910

9 . PACKING MATERIALS



MODEL PT-2600/2610 8V2-371-930

8 . ATTACHMENTS

REF.NO.	SYMBOL	CODE	Q'TY	DESCRIPTION	REMARKS
1	C	LA3700001	1	USB I/F CABLE	R
2		LA8078001	1	CD-ROM 2600 ASSY US	

MODEL PT-2600/2610 8V2-371-910

9 . PACKING MATERIALS

REF.NO.	CODE	Q'TY	DESCRIPTION	REMARKS
1	LA8044000	1	CLAM SHELL UPPER PT2600 (PT-2600)	R
2	LA8045000	1	CLAM SHELL LOWER PT2600 (PT-2600)	R
3	LA8050001	1	COMMERCIAL SHEET 2600US (PT-2600)	
4	LA8046000	1	PROTECTION FRAME PT2600 (PT-2600)	
5	LA6867001	1	BAG, 215X360H (USER'S MANUAL)	
6	LA0085001	1	BAG, 280X400H (BODY) (PT-2610)	
7	LA7490001	1	CARTON 2610 US (PT-2610)	R
8	LA6629000	1	PLATEN PROTECT PAD 2300	
9	LA6057001	1	CARRYING CASE 2310 (PT-2610)	
10	LA6708000	2	PAD 2310 (PT-2610)	
11	LA4541000	1	CASSETTE SPACER 2400 (PT-2610)	
12	LA6632001	1	PROTECTION SHEET 2310 (PT-2610)	

MODEL PT-2600/2610 8V2-371-930

brother®

Aug., 2002
8V2039BE0
Printed in Japan